



S+S REGELTECHNIK



RHEASGARD® RHEASREG®

FLOW SENSORS / FLOW CONTROLLERS
MEASURING TRANSDUCERS FOR AIR VELOCITY,
VOLUME FLOW AND TEMPERATURE



PRODUCT RANGE 2024



S+S REGELTECHNIK USA DIVISION



S+S REGELTECHNIK

NEW

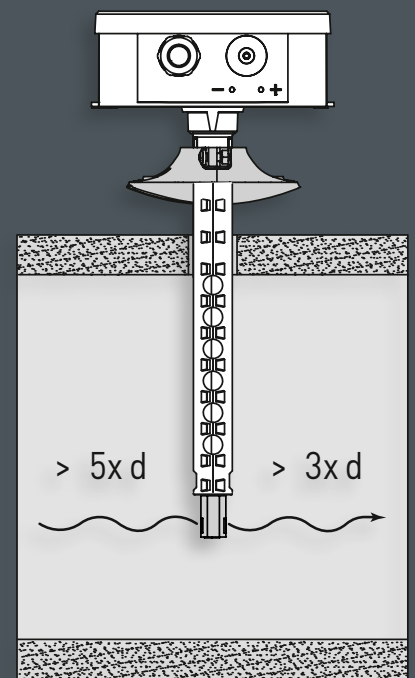
RHEASGARD® RHEASREG®

Electronic air flow sensors for flow velocity, temperature and volume flow

Our new product family of precise airflow sensors increases well-being and improves energy efficiency. Besides the duct sensor, there are further housing variants available with an external duct probe for on-wall or top-hat rail mounting.

The electronic sensor detects the **flow velocity**. It is suitable for monitoring or controlling airflows in ducts, at fans and dampers, for flow-dependent monitoring of humidifiers and electric heating registers according to DIN 57100, Sect. 420, or for use in connection with DDC systems.

The **volume flow** (by way of simple calculation using the **duct cross-section** and the flow velocity) and the **temperature** can be retrieved as additional parameters depending on the type.



Automatic Detection and Switching to 0...10V or 4...20mA standard signal



AOS-PATENTED

AUTOMATIC OUTPUT SWITCHING

HIGHLIGHTS

- Precise flow sensor with sensor breakage protection (calorimetric, calibratable, temperature-compensated) for **Flow velocity** (0.1...20 m/s) (0.3...65 ft/s)
- with start-up override (adjustable depending on type)
- other parameters:
Volume flow (0...200 000 m³/h) (0...117,715 CFM)
Temperature (0...+50 °C) (+32...+122 °F)
- Measuring transducer with active output or Modbus connection (RTU)
- Changeover contact with automatic reset
- Devices for voltage supply **24 V AC/DC** or **230 V AC**

NEW



RHEASGARD® & RHEASREG®
AIR FLOW SENSOR / CONTROL SWITCHES
ELECTRONIC



KLGF-U
without display

\$274.97

KLGF-U 120mm
without display

\$292.43



KLSW-W24
without display

\$240.76

KLGF-T-W
without display

\$348.30



PLGF-U LCD
with display

\$345.85

PLGFVT-W LCD
with display

\$428.96

RHEASGARD®
RHEASREG®
Duct and pendulum air flow sensor / flow monitors, electronic,
with active and switching output

Type / WG01	Power supply	Output active	Output switching	Mounting (insert length)	Display	Item no.	Price USD
KLGF/PLGF		U variant					
KLGF-U 120mm	24 V AC / DC	1x 0-10V	-	4.72 in	T2	1701-4111-0102-000	\$292.43
KLGF-U	24 V AC / DC	1x 0-10V	-	8.70 in	T2	1701-4111-0101-000	\$274.97
KLGF-U LCD	24 V AC / DC	1x 0-10V	-	8.70 in	T2	■ 1701-4111-1101-000	\$345.85
PLGF-U	24 V AC / DC	1x 0-10V	-	6.10 in	T2+P	1701-6111-0101-000	\$274.97
PLGF-U LCD	24 V AC / DC	1x 0-10V	-	6.10 in	T2+P	■ 1701-6111-1101-000	\$345.85
KLGF(V)T/PLGF(V)T		AOS		W			
KLGF-T-W	24 V AC / DC	2x 0-10V / 4...20 mA	1 changeover contact	8.70 in	T2	1701-4118-0201-001	\$348.30
KLGFVT-W LCD	24 V AC / DC	2x 0-10V / 4...20 mA	1 changeover contact	8.70 in	T2	■ 1701-4118-1401-001	\$428.96
PLGF-T-W	24 V AC / DC	1x 0-10V / 4...20 mA	1 changeover contact	6.10 in	T2+P	1701-6118-0201-001	\$348.30
PLGFVT-W LCD	24 V AC / DC	1x 0-10V / 4...20 mA	1 changeover contact	6.10 in	T2+P	■ 1701-6118-1401-001	\$428.96
KLSW/PLSW-W24							
KLSW-W24 120mm	24 V AC / DC	-	1 changeover contact	4.72 in	T2	1701-4113-0102-001	\$258.22
KLSW-W24	24 V AC / DC	-	1 changeover contact	8.70 in	T2	1701-4113-0101-001	\$240.76
KLSW-W24 LCD	24 V AC / DC	-	1 changeover contact	8.70 in	T2	■ 1701-4113-1101-001	\$299.42
PLSW-W24	24 V AC / DC	-	1 changeover contact	6.10 in	T2+P	1701-6113-0101-001	\$240.76
PLSW-W24 LCD	24 V AC / DC	-	1 changeover contact	6.10 in	T2+P	■ 1701-6113-1101-001	\$299.42
KLSW-W230							
KLSW-W230 120mm	230V AC	-	1 changeover contact	4.72 in	T2	1701-4133-0102-001	\$260.05
KLSW-W230	230V AC	-	1 changeover contact	8.70 in	T2	1701-4133-0101-001	\$242.59

Note **Changeover contact** with automatic reset (relay opens automatically when value falls below the threshold again)
AOS (Automatic Output Switching) = patented analogue interface (patent no. DE 10 2015 015 941 B4), the unit automatically detects the required output type 0-10 V or 4...20 mA

*Data points / Readout in SI units
Type variantes:
L = flow velocity [m/s] MR: 0.1...20 m/s (0.3...65 ft/s)*
T = temperature [°C] MR: 0...+50 °C (+32...+122 °F)* additional measurand
V = volume flow [m³/h] MR: 0...200,000 m³/h (0...117,715 CFM)* alternative parameter, can be configured via display!



KHSSFV-Modbus
Top-hat rail

\$406.20

KLGF-Modbus
without display

\$339.86

KLGFVT-Modbus
without display

\$370.44

KLGF-Modbus LCD
with display

\$412.02

KLGFVT-Modbus LCD
with display

\$439.95

RHEASGARD® Duct and pendulum air flow sensor, electronic, with Modbus connection								
Type / WG01	Measuring Ranges / Readout*		Temperature	Output	Mounting (insert length)	Display	Item no.	Price USD
	Flow velocity	Volume flow						
KLGF/PLGF-Modbus								
KLGF-Modbus 120mm	0.1...20 m/s	–	–	Modbus	4.72 in	T2	1701-4216-0102-000	\$357.32
KLGF-Modbus LCD 120mm	0.1...20 m/s	–	–	Modbus	4.72 in	T2	1701-4216-1102-000	\$429.48
KLGF-Modbus	0.1...20 m/s	–	–	Modbus	8.70 in	T2	1701-4216-0101-000	\$339.86
KLGF-Modbus LCD	0.1...20 m/s	–	–	Modbus	8.70 in	T2	1701-4216-1101-000	\$412.02
PLGF-Modbus	0.1...20 m/s	–	–	Modbus	6.10 in	T2+P	1701-6216-0101-000	\$339.86
PLGF-Modbus LCD	0.1...20 m/s	–	–	Modbus	6.10 in	T2+P	1701-6216-1101-000	\$412.02
KLGFVT/PLGFVT-Modbus								
KLGFVT-Modbus	0.1...20 m/s	0...200,000 m³/h	0...+50 °C	Modbus	8.70 in	T2	1701-4216-0401-000	\$370.44
KLGFVT-Modbus LCD	0.1...20 m/s	0...200,000 m³/h	0...+50 °C	Modbus	8.70 in	T2	1701-4216-1401-000	\$439.95
PLGFVT-Modbus	0.1...20 m/s	0...200,000 m³/h	0...+50 °C	Modbus	6.10 in	T2+P	1701-6216-0401-000	\$359.65
PLGFVT-Modbus LCD	0.1...20 m/s (0.3...65 ft/s)*	0...200,000 m³/h (0...117,715 CFM)*	0...+50 °C (+32...+122 °F)*	Modbus	6.10 in	T2+P	1701-6216-1401-000	\$439.95
Housing:	T2 = Duct sensor in housing Tyr2 with Pleuroform duct pipe (4.72 in / 8.70 in) T2+P = Pendulum sensor in on-wall housing Tyr2 with external duct probe (cable length ca. 7.8 ft)							
Optional:	Cable connection with M12 connector according to DIN EN 61076-2-101 on request							
*Data points / Readout in SI units:	flow velocity [m/s], volume flow [m³/h], temperature [°C]							

RHEASGARD® Duct top-hat rail air flow sensor, electronic, with Modbus connection								
Type / WG01	Measuring Ranges / Readout*		Temperature	Output	Mounting (insert length)	Display	Item no.	Price USD
	Flow velocity	Volume flow						
KHSSFV-Modbus								
KHSSFV-Modbus	0.1...20 m/s (0.3...65 ft/s)*	0...200,000 m³/h (0...117,715 CFM)*	–	Modbus	6.10 in	HS+P	1701-5216-0302-000	\$406.20
Housing:	HS+P = Top-hat rail housing for installation in distributor boxes or control cabinets with 1.38 in mounting rail with external duct probe (cable length ca. 7.8 ft)							
*Data points / Readout in SI units:	flow velocity [m/s], volume flow [m³/h]							



KHSSW-W24
KHSSW-W230
Top-hat rail

\$256.06



KHSSF-W
Top-hat rail

\$382.92



RHEASREG®
FLOW MONITORS
MECHANICAL



SW-3E / SW-4E
with paddle
incl. tee fitting

\$249.12



SW-1E
with paddle

\$135.24



WFS
with paddle

\$105.14

RHEASGARD® Duct **top-hat rail** air flow sensor / flow monitors, electronic,
RHEASREG® with active and switching output

Type / WG01	Power supply	Output active	Output switching	Mounting (insert length)	Item No.	Price USD
KHSSF		AOS	W			
KHSSF-W	24 V AC / DC	2x 0-10V / 4...20 mA	1 changeover contact	6.10 in HS+P	1701-5118-0102-001	\$382.92
KHSSW-W24						
KHSSW-W24	24 V AC / DC	-	1 changeover contact	6.10 in HS+P	1701-5113-0102-001	\$256.06
KHSSW-W230						
KHSSW-W230	230V AC	-	1 changeover contact	6.10 in HS+P	1701-5133-0102-001	\$256.06

Housing: HS+P = **Top-hat rail housing** for installation in distributor boxes or control cabinets with 1.38 in mounting rail with external duct probe (cable length ca. 7.8 ft)

RHEASREG® Flow monitors with paddle, **mechanical**, for liquid and gaseous media
SW with switching output

Type / WG01	Pipe Ø DN	max. operating pressure PN max	Medium	(contacting parts made of)	Housing / incl. attached tee fitting according to DIN 2950	Item No.	Price USD
SW							
SW-1E	1" - 8"	160 psi	normal	(brass)	Thor 2 -	1702-3011-0000-000	\$135.24
SW-2E	1" - 8"	435 psi	aggressive	(stainless steel V4A)	Thor 2 -	1702-3012-0101-000	\$427.78
SW-3E	½"	160 psi	normal	(brass)	Thor 2 $\perp\perp$	1702-3013-0031-000	\$249.12
SW-4E	¾"	160 psi	normal	(brass)	Thor 2 $\perp\perp$	1702-3014-0041-000	\$249.12

RHEASREG® Vane switch with paddle, **mechanical**, for gaseous media,
WFS with switching output

Type / WG01	Switch-on value [ft / s] min.	max.	Switch-off value [ft / s] min.	max.	Housing	Item No.	Price USD
WFS							
WFS-1E	8.2 (13.1)	30.2	3.3 (8.2)	26.2	Thor 2	1702-3020-0000-000	\$105.14

Note: Minimum values in brackets apply to wind speeds > 16.4 ft/s



S+S REGELTECHNIK



The new S+S company headquarters on a total area of 14,000 m² in Nordostpark on the outskirts of Nuremberg offers a seamlessly integrated production and development environment with excellent air and road links.

S+S stands for a fully integral value chain. All products are designed, developed, manufactured and programmed in-house.

Development, manufacturing and sales in Nuremberg are certified by TÜV Thüringen according to DIN EN ISO 9001:2015 (quality management) and DIN EN ISO 14001:2015 (environmental management).

All devices are function tested as well as calibrated in-house prior to shipment and meet strict safety, quality and sustainability standards.



S+S REGELTECHNIK GMBH
USA DIVISION
LAS VEGAS, NV 89130

Phone: +1 725 264 4055
E-Mail: USA@SplusS.com

All information provided without prejudice, technical modifications and price changes reserved. Reprints, even excerpts, are only permitted with the approval of S+S Regeltechnik GmbH.

You can find technical data and further information in our web shop.



Order conveniently online: www.SplusS.com