



Mechanical room hygrostat HYGRASREG® RH-2 with switching output (with single-pole microswitch as two-position controller with humidity sensor) working without external voltage, with humidity measuring element made of stabilized synthetic gauze, optional with setpoint setter for switchpoint adjustment (external or internal setting) in an elegant housing made of plastic, with snap-on lid, base with 4-hole attachment for installation on vertically or horizontally installed in-wall flush boxes, with predetermined breaking point for on-wall cable entry. RH-2 is used for controlling and monitoring the relative humidity in office and residential rooms, baths, labs, control cabinets, computer rooms, etc., as minimum or maximum hygrostat. It is used in dust-free, pollutant-free, non-aggressive air.

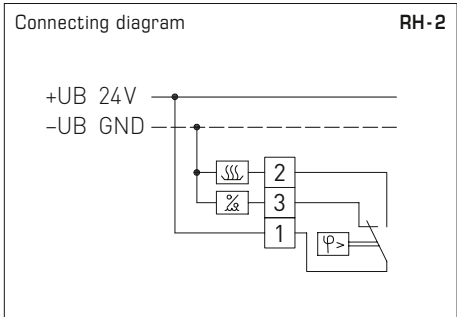
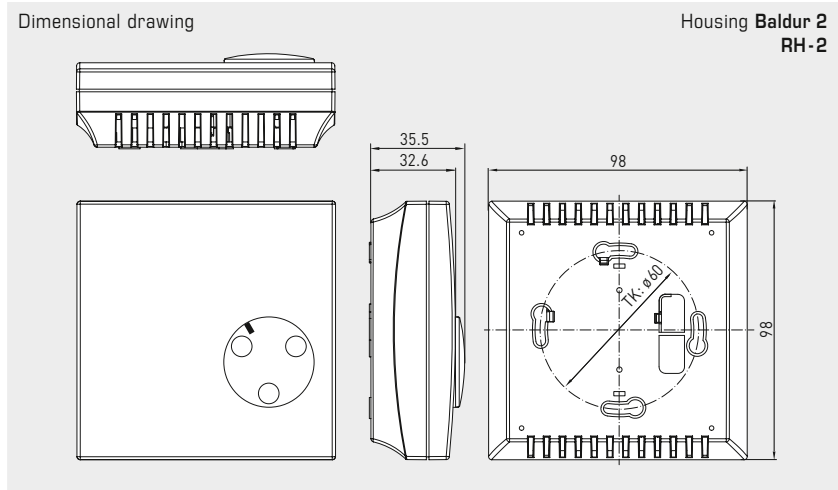
RH-2 (with external setting)



RH-2U (with internal setting)



TECHNICAL DATA	
Switching capacity: (Contact load)	24 V AC/DC dehumidifying: 5 (0.2) A, min. 100 mA humidifying: 3 (0.2) A, min. 100 mA
Setting range:	25 ... 95 % RH
Contact:	1 changeover contact
Sensor element:	plastic fibres
Operating difference:	< 8 % RH
Tolerance:	max. 3 % RH
Housing temperature:	0...+40 °C
Housing:	plastic, material ABS, colour pure white (similar to RAL 9010)
Dimensions:	98 x 98 x 39 mm (Baldur 2, with Potentiometer)
Electrical connection:	0.14 - 2.5 mm ² , via terminal screws
Installation:	wall mounting or on in-wall flush box Ø 55 mm, base with 4-hole for mounting on vertically or horizontally installed in-wall flush boxes for cable entry from the back, with predetermined breaking point for on-wall cable entry from top / bottom in case of plain on-wall installation
Protection class:	III (according to EN 60 730)
Protection type:	IP 30 (according to EN 60 529)
Standards:	CE conformity, EMC directive 2014 / 30 / EU, low-voltage directive 2014 / 35 / EU
FUNCTION	humidifying: wire terminals 1 and 3 dehumidifying: wire terminals 1 and 2



HYGRASREG® RH-2 Room hygrostat, Standard						
Type/WG01	Setting Range Humidity	Hysteresis	Output	Steps	Item No.	Price
RH-2						External setting
RH-2	25...95 % RH	< 8 % RH	1x Changeover contact	one-step	1202-40C0-0010-000	85,49 €
RH-2 U						Internal setting
RH-2 U	25...95 % RH	< 8 % RH	1x Changeover contact	one-step	1202-40C0-0020-000	88,10 €