



S+S REGELTECHNIK



SENSOR TECHNOLOGY & FIELD DEVICES



Catalogue | 2024

S+S on a focussed path of innovation

Society is digitalising at a rapid pace. Our customers expect solutions for greater ease of use, easier networking and more sustainable environmental sensor technology.

S+S has responded to the zeitgeist and accelerated the pace of its innovations – without compromising on proven functionality.

To this end, we now also offer our fieldbus sensor technology in wireless **W-Modbus** versions, which make it easier to extend and modernise existing building networks in particular. To help regulate a healthy indoor climate, we have expanded

the range of **RYMASKON**® control units to include versions with a touch display and the product family of our **AERASGARD**® flow sensors has also been extended.

We are also pursuing our determined journey towards sustainability. One of the latest milestones and an incentive for further improvements here at S+S is our environmental certification according to ISO 14001. Find out more on the following pages.

Tino Schulze

General Manager
S+S Regeltechnik GmbH®

Heiko Linke

General Manager
S+S Regeltechnik GmbH®



Sustainability as a core strategy

S+S Regeltechnik sees itself as one of the market leaders in the industry in Europe and endeavours to make an exemplary contribution to climate and environmental protection.

With this in mind, we are pursuing a determined sustainability strategy at all levels and throughout the entire value chain – from HR management and procurement to product development, manufacturing, sales and the use of our units.

We see sustainability as a core strategy for everyone's well-being: not just for our environment and the society in which we operate but also for our company and our employees.

Clearly defined priorities

The primary objectives of our strategy include:

- Resource-saving product design
- Maximum energy efficiency in production
- Low-emission manufacturing processes
- Durable and low-maintenance products
- Systematic avoidance of waste
- Considerate personnel management

There is no alternative to the effective continuity of sustainability in all our activities. That is because it has a significant impact on our ecological footprint, on the sustainable benefits of our environmental sensor technology for customers, on our ability to remain competitive in the market and on the working atmosphere at S+S.



S+S REGELTECHNIK

one world –
one future

Compliance with the UN Sustainable Development Goals

S+S Regeltechnik subscribes to the Sustainable Development Goals of the United Nations and implements them systematically. The current focus is on health and well-being [3], gender equality [5], affordable and clean energy [7], sustainable cities and communities [11], responsible consumption and production [12] and measures for climate action [13]:

- We develop and manufacture sustainable-products for a healthy and productive indoor climate.
- Sensor and control units for controlled energy management in favour of less energy consumption and lower pollutant emissions.
- We make use of smart software to optimise and automate energy-efficient and low-emission solutions.

- Our units are durable, multifunctional, thus reducing the consumption of valuable resources.
- The environmentally friendly design of our sensor technology helps to minimise our Scope 1 and Scope 2 emissions as well as the Scope 3 emissions of our customers.*
- The environmental management system of S+S is certified according to DIN EN ISO 14001.
- We make sure we provide a healthy and attractive working environment with fair pay, equal development opportunities along with uncompromising protection of personal rights in line with EU regulations.

* Under the Greenhouse Gas Protocol, Scope 1 refers to direct emissions from the company's own production processes, Scope 2 to indirect emissions from purchased energy and Scope 3 to all other indirect emissions from upstream and downstream sources, such as material supplies, packaging and transport.



Produced and translated by the UN Information Service (UNIS), Vienna.



Four milestones to reduce the environmental impact



Energy conservation

Annual reduction by not less than 5 % measured against net sales



Renewable energy

Up to 100% in the entire operating environment of the company



Reduction of emissions

Reduction of the CO2 emissions by approx. 5 %



Environmental certification

All work processes in production, offices, warehouses, packaging and dispatch are certified





ETHER CAT P MEASURING TRANSDUCER		
Temperature sensors		
ATM 2-EtherCATP	Outside temperature sensor	033
TM 65-EtherCATP	Duct / immersion / screw-in temperature sensor	035
MWTM-EtherCATP	Mean-value temperature sensor	041
HFTM-EtherCATP	Sleeve sensor with cable	043
ALTM 2-EtherCATP	Surface-contact temperature sensor with cable	045
Humidity sensors		
AFTF-EtherCATP	On-wall humidity/temperature sensor	049
KFTF-EtherCATP	Duct humidity/temperature sensor	053
Pressure sensors		
PREMAGARD® 612x-EtherCATP	Pressure measuring transducer (Differential pressure, volume flow)	057
Special accessories		
see chapter Accessories		653

MODBUS MEASURING TRANSDUCER		
Room control units and room controllers with touch keys / touch display		
RYMASKON® 1000	Room control units (interface)	NEW 075
RYMASKON® 1000	Room controller	NEW 081
RYMASKON® 2000	Room control units (interface)	NEW 087
RYMASKON® 2000	Room controller	NEW 091
RYMASKON® 3000	Room control units (interface)	NEW 087
Room control units with / without control elements		
RFTF-Modbus-xx	Room control units	093
RTM1-Modbus	Room control units	095
RFTM-CO2-Modbus-P	Room control units	155
FSFTM-Modbus-xx	Room control units, In-wall	119/157
Temperature sensors		
RTM1-Modbus	Room temperature sensor	095
RPTM1-Modbus-T3	Room pendulum temperature sensor	113
RPTM2-Modbus-T3	Room pendulum temperature sensor	115
HFTM-Modbus-T3	Sleeve sensor with cable	107
ALTM1-Modbus-T3	Surface-contact temperature sensor	109
ALTM 2-Modbus-T3	Surface-contact temperature sensor with cable	111
ATM 2-Modbus-T3	Outside temperature sensor	097
TM 65-Modbus-T3	Duct / immersion / screw-in sensor	101
MWTM-Modbus-T3	Mean-value temperature sensor	105
Humidity sensors		
FSFTM-Modbus	In-wall humidity temperature sensor	119
RFTF-Modbus	Room humidity temperature sensor	117
RPFTF-Modbus-T3	Room pendulum humidity temperature sensor	127
VFTF-Modbus-T3	Showcase humidity temperature sensor	129
AFTF-Modbus-T3	On-wall humidity temperature sensor	121
KFTF-Modbus-T3	Duct humidity temperature sensor	125
TW-Modbus-T3	Dew point control switch	133
Pressure sensors		
PREMAGARD® 232x-Modbus-T3	Pressure measuring transducer (differential pressure)	137
PREMAGARD® 714x-Modbus	Pressure measuring transducer (differential pressure, volume flow)	141
PREMAGARD® 724x-Modbus	Pressure measuring transducer (differential pressure, volume flow) with dual pressure sensor	147
PREMAGARD® 814x-Modbus	Duct sensor for humidity, temperature with pressure measuring transducer (differential pressure, volume flow)	151

EtherCAT[®] P

Fast standard industrial bus with communication and power on one cable



MODBUS MEASURING TRANSDUCER		
Air quality sensors CO ₂ , VOC and fine dust sensor		
FSFTM-CO ₂ -Modbus	In-wall sensor for humidity, temperature, air quality (VOC), CO ₂	157
RFTM-LQ-PS-CO ₂ -Modbus	Room sensor for humidity, temperature, air quality (VOC), CO ₂ , and fine dust (PM)	155
AFTM-LQ-CO ₂ -Modbus	On-wall sensor for humidity, temperature, air quality (VOC), CO ₂	161
KFTM-LQ-CO ₂ -Modbus	Duct sensor for humidity, temperature, air quality (VOC), CO ₂	165
Flow sensors		
KHSSFV-Modbus	Duct top-hat rail sensor (with external duct probe) for airflow and volume flow	NEW 171
KLGF-Modbus	Duct airflow monitor	NEW 169
KLGFVT-Modbus	Duct sensor for airflow, volume flow and temperature	NEW 169
Special accessories		
LA-Modbus	Line termination device	173
KA2-Modbus	Communication adapter	175
see chapter Accessories		653

W-MODBUS (WIRELESS) MEASURING TRANSDUCER		
Temperature sensors		
TM65-wModbus	Duct / immersion / screw-in sensor	NEW 101
RPTM1-wModbus	Room pendulum temperature sensor	online
RPTM2-wModbus	Room pendulum temperature sensor	online
HFTM-wModbus	Sleeve sensor with cable	online
ALTM1-wModbus	Surface-contact temperature sensor	online
ALTM2-wModbus	Surface-contact temperature sensor with cable	online
ATM2-wModbus	Outside temperature sensor	online
MWTM-wModbus	Mean-value temperature sensor	online
Humidity sensors		
KFTF-wModbus	Duct humidity temperature sensor	NEW 125
RPFTF-wModbus	Room pendulum humidity temperature sensor	online
VFTF-wModbus	Showcase humidity temperature sensor	online
AFTF-wModbus	On-wall humidity temperature sensor	online
TW-wModbus	Dew point control switch	online
Druckfühler		
PREMASGARD® 232x-wModbus	Pressure measuring transducer (differential pressure)	NEW 137
Gateway (Wireless)		
GW-wModbus	W-Modbus gateway	NEW 177

TEMPERATURE SENSORS PASSIVE		
Room sensors		
DTF	In-ceiling temperature sensor	199
RTF	Room temperature sensor, on-wall	182
FSTF	Room temperature sensor, in-wall	192
RPTF1	Room pendulum temperature sensor	256
RPTF2	Room pendulum temperature sensor	257
RSTF	Room radiation temperature sensor	259
RTF-xx	Room control units, on-wall	186
FSTF-xx	Room control units, in-wall	194
Cable sensors, surface-contact sensors, outdoor sensors		
HTF	Sleeve temperature sensor with cable	246
OFTF	Surface temperature sensor	251
ALTF1	Surface-contact temperature sensor	252
ALTF2/02	Surface-contact temperature sensor	255/254
ATF1/01	Outside temperature sensor	201/200
ATF2	Outside temperature sensor	203
Duct, immersion, screw-in sensors		
TF43/65	Duct / immersion / screw-in sensor	208/206
TF54	Duct / immersion / screw-in sensor	220
MWTF/SD	Mean-value temperature sensor	215
ETF6	Screw-in sensor with neck tube	228
ETF7	Screw-in sensor, fast-acting	217
RGTF2	Smoke gas screw-in sensor	241
RGTF1	Smoke gas duct sensor	235
HTF	Sleeve sensor with cable	246
Radiation temperature sensors		
ASTF	On-wall radiation temperature sensor	258
RSTF	Room radiation temperature sensor	259

W-Modbus NEW

Wireless Modbus replaces a conventional RTU cable



Wireless
W-Modbus
→ Onlineshop

"online" → visit the S+S online shop at www.SplusS.de

TEMPERATURE SENSOR ACTIVE MEASURING TRANSDUCER



Room sensors

RTM 1	Room temperature measuring transducer	AOS 263
FSTM	Room temperature sensor, in-wall	267
RPTM 1	Room pendulum temperature measuring transducer	329
RPTM 2	Room pendulum temperature measuring transducer	333

Cable sensors, surface-contact sensors, outdoor sensors

HFTM	Sleeve sensor with measuring transducer	AOS 309
HFTM-VA	Sleeve sensor with measuring transducer (stainless steel housing Tyr 2E)	AOS 313
ALTM 1	Surface-contact temperature measuring transducer	AOS 317
ALTM 2	Surface-contact temperature measuring transducer	AOS 321
ALTM 2-VA	Surface-contact temperature measuring transducer (stainless steel housing Tyr 2E)	AOS 325
ATM 2	Outside temperature measuring transducer	AOS 271
ATM 2-VA	Outside temperature measuring transducer (stainless steel housing Tyr 2E)	AOS 275

Duct, immersion, screw-in sensors

TM 43/65	Duct / immersion / screw-in temperature measuring transducer	279
TM 54	Duct / immersion / screw-in temperature measuring transducer	289
MWTM/SD	Mean-value temperature measuring transducer	AOS 285
RGTM 1	Smoke gas temperature measuring transducer	297
RGTM 2	Smoke gas temperature measuring transducer	303

TEMPERATURE CONTROLLERS / THERMOSTATS



Room temperature controllers

RTR-B	Room temperature controller	337
-------	-----------------------------	-----

Built-in controllers, duct controllers

ETR	Built-in temperature controller	345
KTR	Duct temperature controller	351
TR 040/060	Temperature controller	338
TR 22	Temperature controller	339
TR 04040	Temperature controller, two-step	340
TRxx-F	Temperature controller with remote sensor	341

Thermostats

ALTR xx	Surface-contact thermostats	354/355
FST	Frost protection thermostat, mechanical	359
FST-K	Duct frost protection thermostat, mechanical	363
FS-20	2-phase frost protection thermostat, two-step, switching	367



HUMIDITY SENSORS

HUMIDITY CONTROLLERS / HYGROSTATS



Room sensors

RFF/RFTF	Room humidity sensor, on-wall	375
FSFM/FSFTM	Room humidity sensor, in-wall	377
RPFF-SD	Room pendulum humidity sensor	435
RPFF/RPFTF	Room pendulum humidity sensor	439
RPFF/RPFTF-25	Room pendulum humidity sensor, pluggable	443
VFF/VFTF	Showcase humidity sensor	447
DFF/DFTF	In-ceiling humidity sensor	381

On-wall sensors, outdoor sensors

AFF/AFTF-SD	On-wall humidity sensor	385
AFF/AFTF	On-wall humidity sensor	390
AFF/AFTF-20	On-wall humidity sensor	393
AFF/AFTF-25	On-wall humidity sensor, pluggable	391
AFTF-20-VA	On-wall humidity sensor (stainless steel housing Tyr 2E)	399
AFTF-35	On-wall humidity sensor for high humidity	NEW 403
AAVTF	On-wall humidity sensor	407

Duct sensors

KFF/KFTF-SD	Duct humidity sensor	412
KFF/KFTF	Duct humidity sensor	413
KFF/KFTF-20	Duct humidity sensor	415
KFTF-20-VA	Duct humidity sensor (stainless steel housing Tyr 2E)	421
KFTF-35	Duct humidity sensor for high humidity	NEW 425
KAVTF	Duct humidity sensor	429
ESFTF	Screw-in humidity sensor for pressure systems	NEW 433

Hygrostats

KH-10	Duct hygrostat, one-step	459
KH-40	Duct hygrostat, one-step	461
AH-40	On-wall hygrostat, one-step	453

Hygrothermostat

RHT-30	Room hygrothermostat, two-step	451
KHT-30	Duct hygrothermostat, two-step	465
AHT-30	On-wall hygrothermostat, two-step	457

Control switches

KW/KW-SD	Condensation control switch	469/468
TW	Dew point control switch	473
LS	Leakage sensor	475

IMMERSION SLEEVES

ACCESSORIES / SPARE PARTS



Immersion sleeves

TH 08	Immersion sleeves for temperature sensors	638
TH	Immersion sleeves for temperature sensors	640
THR	Immersion sleeves for temperature controllers	642
THE	Immersion sleeves for sleeve sensors	644

Mounting accessories

MF-xx	Mounting flanges	646/ 647
KRD-04	Capillary tube leadthrough, plastic	646
MK-xx	Mounting clamps	647
ESSH	Welding protection sleeve	648
WS-xx	Protection hoods, stainless steel	650

Others

see chapter Accessories	646
-------------------------	-----

**PRESSURE SENSORS
PRESSURE CONTROLLERS / SWITCHES**



for gaseous media		
PREMASGARD® 111x / 112x / SD	Pressure measuring transducer [mbar/Pa], Differential pressure sensor	490 / 491
PREMASGARD® 211x / 212x / SD	Pressure measuring transducer [mbar/Pa], Differential pressure sensor	485 / 484
PREMASGARD® 711x	Pressure measuring transducer [mbar/Pa], Differential pressure sensor	497
PREMASGARD® 711x-VA	Pressure measuring transducer [mbar/Pa], Differential pressure sensor (stainless steel housing Tyr 2E)	503
PREMASGARD® 722x	Pressure measuring transducer [mbar/Pa], Differential pressure sensor with dual pressure sensor	509
PREMASREG® 711x	Pressure measuring transducer [mbar/Pa], Differential pressure switch	515
PREMASREG® 711x-VA	Pressure measuring transducer [mbar/Pa], Differential pressure switch (stainless steel housing Tyr 2E)	521
ALD	Measuring transducer [mbar], Atmospheric pressure	535
DS1 / DS2	Differential pressure switch [mbar/Pa]	539
for volume flow		
PREMASREG® 716x	Pressure measuring transducer [mbar/Pa], Volume flow / differential pressure switch	527
PREMASREG® 716x-VA	Pressure measuring transducer [mbar/Pa], Volume flow / differential pressure switch (stainless steel housing Tyr 2E)	533
for liquid media		
SHD / SHD-SD	Pressure measuring transducer [bar]	541
SHD-692	Pressure measuring transducer [bar]	543

**LIGHT INTENSITY SENSORS
MOTION DETECTORS / PRESENCE DETECTORS**



Light intensity sensors		
AHKF	Outdoor light intensity sensor	553
RHKF	Room light intensity sensor	552
FSHKM	Room light intensity sensor, in-wall	551
DHKF	In-ceiling light intensity sensor	555
Motion detectors		
ABWF	Outdoor motion detector	559
RBWF	Room motion detector	558
FSBWF-W	Room motion detector, in-wall	557
DBWF/DBWF-C	In-ceiling motion detector	561
Motion and light intensity sensors		
ABWF/LF	Outdoor motion detector/light intensity sensor	565
RBWF/LF	Room motion detector/light intensity sensor	563
DBWF/LF/FTF	In-ceiling sensor for temperature, humidity, motion and light intensity	567

**AIRFLOW MONITORS
FLOW SENSORS / CONTROLLERS**



Airflow monitors, electronic		
KLSW/KLGF	Duct airflow monitor	NEW 631
KLGFVT	Duct monitor for airflow, Volume flow and temperature	NEW 631
KHSSF/KHSSW	Duct top-hat rail airflow monitor (with external duct probe)	NEW 627
Flow monitors, mechanical		
WFS	Wind vane switch	633
SW	Flow monitor	635

**AIR QUALITY
SENSORS**



Gas mixture sensor (VOC)		
RLQ-SD	Room air quality sensor	577
RLQ-W	Room air quality sensor	* 577
FSLQ	Room air quality sensor, in-wall	597
KLQ-SD	Duct air quality sensor	611
KLQ-W	Duct air quality sensor	* 611
Carbon dioxide sensor (CO2)		
FSCO2	Room CO2 sensor, in-wall	595
FSTM-CO2	Room temperature / CO2 sensor, in-wall	595
RCO2-AS xx	CO2 traffic light with signal tone, table-top unit with plug-in power supply unit, wall unit with/without power supply unit	581
RCO2-SD	Room CO2 sensor	585
RCO2-W	Room CO2 sensor	* 585
RCO2-W-A	Room CO2 sensor with LED display	* 585
RPCO2-W	Room pendulum CO2 sensor	NEW 623
RTM-CO2-SD	Room temperature / CO2 sensor	589
RFTM-CO2-W	Room humidity / temperature / CO2 sensor	* 589
ACO2-SD	On-wall CO2 sensor	599
ACO2-W	On-wall CO2 sensor	* 599
ATM-CO2-SD	On-wall temperature / CO2 sensor	605
AFTM-CO2-W	On-wall humidity / temperature / CO2 sensor	* 605
KCO2-SD	Duct CO2 sensor	615
KCO2-W	Duct CO2 sensor	* 615
KTM-CO2-SD	Duct temperature / CO2 sensor	621
KFTM-CO2-W	Duct humidity / temperature / CO2 sensor	* 621
Fine dust sensor (PM)		
RPS-SD	Room fine dust sensor	593
RFTM-PS-W	Room humidity / temperature / fine dust sensor	593
APS-SD	On-wall fine dust sensor	607
Multifunctional air quality sensor (VOC / CO2 / PM)		
RLQ-CO2-W	Room air quality CO2 sensor	* 589
RFTM-LQ-CO2-W	Room humidity / temperature / air quality / CO2 sensor	* 589
RFTM-PS-CO2-W	Room humidity / temperature / fine dust / CO2 sensor	* 593
ALQ-CO2-W	On-wall air quality / CO2 sensor	* 605
AFTM-LQ-CO2-W	On-wall humidity / temperature / air quality / CO2 sensor	* 605
KLQ-CO2-W	Duct air quality / CO2 sensor	* 621
KFTM-LQ-CO2-W	Duct humidity / temperature / air quality / CO2 sensor	* 621

* W with changeover contact

Can't find the unit type?
You can find more products in the S+S
online shop at www.SplusS.de



S+S Products A-Z

TYP		SEITE
A		
AAVTF	Outdoor humidity sensor	407
ABWF	Outdoor motion detector	559
ABWF/LF	Outdoor motion detector and light sensor	565
ACO2-Modbus	On-wall CO2 sensor	161
ACO2-SD	On-wall CO2 sensor	599
ACO2-W	On-wall CO2 sensor	599
AFF	On-wall humidity sensor	390
AFF-20	On-wall humidity sensor	393
AFF-25	On-wall humidity sensor, pluggable	391
AFF-SD	On-wall humidity sensor	385
AFTF	On-wall humidity / temperature sensor	390
AFTF-20	On-wall humidity / temperature sensor	393
AFTF-20-VA	On-wall humidity / temperature sensor (stainless steel housing Tyr 2E)	399
AFTF-25	On-wall humidity / temperature sensor, pluggable	391
AFTF-35	On-wall humidity / temperature sensor for high humidity	NEW 403
AFTF-EtherCATP	On-wall humidity / temperature sensor	049
AFTF-Modbus-T3	On-wall humidity / temperature sensor	121
AFTF-SD	On-wall humidity / temperature sensor	385
AFTM-CO2-Modbus	On-wall humidity / temperature / CO2 sensor	161
AFTM-CO2-W	On-wall humidity / temperature / CO2 sensor	605
AFTM-LQ-CO2-Modbus	On-wall humidity / temperature / air quality / CO2 sensor	161
AFTM-LQ-CO2-W	On-wall humidity / temperature / air quality / CO2 sensor	605
AHKF	Outdoor light intensity sensor	553
AH-40	On-wall hygrostat, one-step	453
AHT-30	On-wall hygrothermostat, two-step	457
ALD	Measuring transducer for atmospheric pressure	535
ALQ-CO2-Modbus	On-wall air quality / CO2 sensor	161
ALQ-CO2-W	On-wall air quality / CO2 sensor	605
ALTF 1	Surface-contact temperature sensor	252
ALTF02	Surface-contact temperature sensor	254
ALTF 2	Surface-contact temperature sensor	255
ALTM 1	Surface-contact temperature measuring transducer	317
ALTM 1-Modbus-T3	Surface-contact temperature measuring transducer	109
ALTM 2	Surface-contact temperature measuring transducer	321
ALTM 2-EtherCATP	Surface-contact temperature measuring transducer	045
ALTM 2-Modbus-T3	Surface-contact temperature measuring transducer	111
ALTM 2-VA	Surface-contact temperature measuring transducer (stainless steel housing Tyr 2E)	325
ALTRO60	Surface-contact thermostats	354
ALTRO90	Surface-contact thermostats	354
ALTR 1	Surface-contact thermostats	355
ALTR 3	Surface-contact thermostats	355

TYP		SEITE
ALTR 5	Surface-contact thermostats	355
ALTR 7	Surface-contact thermostats	355
APS-SD	On-wall fine dust sensor	607
ASTF	On-wall radiation temperature sensor	258
ATF01	On-wall temperature sensor	200
ATF 1	On-wall temperature sensor	201
ATF 2	On-wall temperature sensor	203
ATM 2	On-wall temperature measuring transducer	271
ATM 2-EtherCATP	On-wall temperature measuring transducer	033
ATM 2-Modbus-T3	On-wall temperature measuring transducer	097
ATM 2-VA	On-wall temperature measuring transducer (stainless steel housing Tyr 2E)	275
ATM-CO2-SD	On-wall temperature / CO2 sensor	605
D		
DBWF	In-ceiling motion detector	561
DBWF-C	In-ceiling motion detector	561
DBWF/LF/FTF	In-ceiling motion detector / light / temperature / humidity sensor	567
DFF	In-ceiling humidity sensor	381
DFTF	In-ceiling humidity sensor	381
DHKF	In-ceiling light intensity sensor	555
DTF	In-ceiling temperature sensor	199
DS 1	Differential pressure switch	539
DS 2	Differential pressure switch	539
E		
ESFTF	Screw-in humidity sensor for pressure systems	NEW 433
ETF 6	Screw-in sensor	228
ETF 7	Screw-in sensor	217
ETR	Built-in temperature controller	345
F		
FS-20	2-phase frost protection thermostat	367
FSBWF-W	In-wall motion detector	557
FSCO2	In-wall CO2 sensor	595
FSFM	In-wall humidity sensor	377
FSFTM	In-wall humidity / temperature sensor	377
FSFTM-CO2-Modbus	In-wall humidity / temperature / CO2 sensor	157
FSFTM-Modbus	In-wall humidity / temperature sensor	119
FSHKM	In-wall light intensity sensor	551
FSLQ	In-wall air quality sensor	597
FST	Frost protection thermostat, mechanical	359
FST-K	Duct frost protection thermostat, mechanical	363
FSTF	In-wall temperature sensor	192
FSTF-xx	Room control units, in-wall	194
FSTM	In-wall temperature sensor	267
FSTM-CO2	In-wall temperature / CO2 sensor	595
G		
GW-wModbus	W-Modbus gateway	NEW 177
H		
HFTM	Sleeve sensor with measuring transducer	309
HFTM-EtherCATP	Sleeve sensor with measuring transducer	043
HFTM-Modbus-T3	Sleeve sensor with measuring transducer	107
HFTM-VA	Sleeve sensor with measuring transducer (stainless steel housing Tyr 2E)	313
HTF-50	Sleeve temperature sensor	246
HTF-200	Sleeve temperature sensor, duct / immersion / screw-in sensor with cable	248

TYP		SEITE
K		
KA2-Modbus	Communication adapter	175
KAVTF	Duct humidity sensor	429
KCO2-Modbus	Duct CO2 sensor	165
KCO2-SD	Duct CO2 sensor	615
KCO2-W	Duct CO2 sensor	615
KFF	Duct humidity sensor	413
KFF-20	Duct humidity sensor	415
KFF-SD	Duct humidity sensor	412
KFTF	Duct humidity / temperature sensor	413
KFTF-20	Duct humidity / temperature sensor	415
KFTF-20-VA	Duct humidity / temperature sensor (stainless steel housing Tyr 2E)	421
KFTF-35	Duct humidity / temperature sensor for high humidity	NEW 425
KFTF-EtherCATP	Duct humidity / temperature sensor	053
KFTF-Modbus-T3	Duct humidity / temperature sensor	125
KFTF-wModbus	Duct humidity / temperature sensor	NEW 125
KFTF-SD	Duct humidity / temperature sensor	412
KFTM-CO2-Modbus	Duct humidity / temperature / CO2 sensor	165
KFTM-CO2-W	Duct humidity / temperature / CO2 sensor	621
KFTM-LQ-CO2-Modbus	Duct humidity / temperature / air quality / CO2 sensor	165
KFTM-LQ-CO2-W	Duct humidity / temperature / air quality / CO2 sensor	621
KH-10	Duct hygostat, one-step	459
KH-40	Duct hygostat, one-step	461
KHT-30	Duct hygothermostat, two-step	465
KHSSFT-Modbus	Duct top-hat rail monitor for airflow, volume flow and temperature	NEW 171
KHSSF	Duct top-hat rail airflow monitor	NEW 627
KHSSW	Duct top-hat rail airflow monitor	NEW 627
KLGF	Duct airflow monitor	NEW 631
KLGF-Modbus	Duct airflow monitor	NEW 631
KLGFVT	Duct monitor for airflow, volume flow and temperature	NEW 631
KLGFVT-Modbus	Duct monitor for airflow, volume flow and temperature	NEW 169
KLSW	Duct airflow monitor	NEW 631
KLQ-CO2-Modbus	Duct air quality / CO2 sensor	165
KLQ-CO2-W	Duct air quality / CO2 sensor	621
KLQ-SD	Duct air quality sensor	611
KLQ-W	Duct air quality sensor	611
KTM-CO2-SD	Duct temperature / CO2 sensor	621
KTR	Duct temperature controller	351
KW	Condensation control switch	469
KW-SD	Condensation control switch	468
L		
LA-Modbus	Line termination device	173
LS	Leakage sensor	475
M		
MWTF	Mean-value temperature sensor	215
MWTF-SD	Mean-value temperature sensor	215
MWTM	Mean-value temperature measuring transducer	285
MWTM-SD	Mean-value temperature measuring transducer	285
MWTM-EtherCATP	Mean-value temperature sensor	041
MWTM-Modbus-T3	Mean-value temperature sensor	105
O		
OFTF	Surface temperature sensor	251

TYP		SEITE
P		
PREMASGARD® 111x	Pressure measuring transducer, compact design	491
PREMASGARD® 112x	Pressure measuring transducer, compact design	491
PREMASGARD® 112x-SD	Pressure measuring transducer, compact design	490
PREMASGARD® 211x	Pressure measuring transducer, compact design	485
PREMASGARD® 212x	Pressure measuring transducer, compact design	485
PREMASGARD® 212x-SD	Pressure measuring transducer, compact design	484
PREMASGARD® 232x-Modbus-T3	Pressure measuring transducer	137
PREMASGARD® 232x-wModbus	Pressure measuring transducer	NEW 137
PREMASGARD® 612x-EtherCATP	Pressure measuring transducer (differential pressure, volume flow)	057
PREMASGARD® 711x	Pressure measuring transducer	497
PREMASGARD® 711x-VA	Pressure measuring transducer (stainless steel housing Tyr 2E)	503
PREMASGARD® 714x-Modbus	Pressure measuring transducer (differential pressure, volume flow)	141
PREMASGARD® 722x	Pressure measuring transducer (differential pressure) with dual pressure sensor	509
PREMASGARD® 724x-Modbus	Pressure measuring transducer (differential pressure, volume flow) with dual pressure sensor	147
PREMASREG® 711x	Pressure measuring transducer / switch	515
PREMASREG® 711x-VA	Pressure measuring transducer / switch (stainless steel housing Tyr 2E)	521
PREMASREG® 716x	Volume flow sensor, Pressure measuring transducer / switch	527
PREMASREG® 716x-VA	Volume flow sensor, Pressure measuring transducer / switch (stainless steel housing Tyr 2E)	533
PREMASGARD® 814x-Modbus	Duct humidity / temperature sensor with pressure measuring transducer (differential pressure, volume flow)	151
R		
RBWF	Room motion detector	558
RBWF/LF	Room motion and light detector	563
RCO2-AS NT ST	CO2 traffic light with signal tone, table-top unit with plug-in power supply unit, stainless steel stand	581
RCO2-AS NT	CO2 traffic light with signal tone, wall unit with plug-in power supply unit	581
RCO2-AS UPNT	CO2 traffic light with signal tone, wall unit with in-wall power supply unit	581
RCO2-AS	CO2 traffic light with signal tone, wall unit without power supply unit	581
RCO2-Modbus	Room CO2 sensor	155
RCO2-SD	Room CO2 sensor	585
RCO2-W	Room CO2 sensor	585
RCO2-W-A	Room CO2 sensor with LED display	585
RFF	Room humidity sensor	375

TYP		SEITE
RFTF	Room humidity / temperature sensor	375
RFTF-Modbus	Room humidity / temperature sensor	117
RFTF-Modbus-xx	Room control units	093
RFTM-CO2-Modbus	Room humidity / temperature / CO2 sensor	155
RFTM-CO2-W	Room humidity / temperature / CO2 sensor	589
RFTM-LQ-CO2-Modbus	Room humidity / temperature / air quality / CO2 sensor	155
RFTM-LQ-PS-CO2-Modbus	Room humidity / temperature / air quality / fine dust / CO2 sensor	155
RFTM-LQ-CO2-W	Room humidity / temperature / air quality / CO2 sensor	589
RFTM-PS-CO2-W	Room humidity / temperature / fine dust / CO2 sensor	593
RFTM-PS-W	Room humidity / temperature / fine dust sensor	593
RGTF 1	Smoke gas temperature sensor	235
RGTF 2	Smoke gas temperature sensor	241
RGTM 1	Smoke gas temperature measuring transducer	297
RGTM 2	Smoke gas temperature measuring transducer	303
RHKF	Room light intensity sensor	552
RHT-30	Room hygrothermostat, two-step	451
RLQ-CO2-Modbus	Room air quality / CO2 sensor	155
RLQ-CO2-W	Room air quality / CO2 sensor	589
RLQ-SD	Room air quality sensor	577
RLQ-W	Room air quality sensor	577
RPCO2	Room pendulum CO2 sensor	NEW 623
RPIFF	Room pendulum humidity sensor	439
RPIFF-25	Room pendulum humidity sensor, pluggable	443
RPIFF-SD	Room pendulum humidity sensor	435
RPIFTF	Room pendulum humidity / temperature sensor	439
RPIFTF-25	Room pendulum humidity / temperature sensor, pluggable	443
RPIFTF-Modbus-T3	Room pendulum humidity / temperature sensor	127
RPS-SD	Room fine dust sensor	593
RPTF 1	Room pendulum temperature sensor	256
RPTF 2	Room pendulum temperature sensor	257
RPTM 1	Room pendulum temperature measuring transducer	329
RPTM 1-Modbus-T3	Room pendulum temperature sensor	113
RPTM 2	Room pendulum temperature measuring transducer	333
RPTM 2-Modbus-T3	Room pendulum temperature sensor	115
RSTF	Room radiation temperature sensor	259
RTF	Room temperature sensor	182
RTF-xx	Room control units	186
RTM 1	Room temperature measuring transducer	263
RTM 1-Modbus	Room control units	095
RTM-CO2-SD	Room temperature CO2 sensor	589
RTR-B	Room temperature controller	337
RYMASKON®1000	Room control units (Interface)	NEW 075
RYMASKON®1000	Room controller (Controller)	NEW 081
RYMASKON®2000	Room control units (Interface)	NEW 087
RYMASKON®2000	Room controller (Controller)	NEW 091
RYMASKON®3000	Room control units (Interface)	NEW 087
S		
SHD	Pressure measuring transducer	NEW 541
SHD-SD	Pressure measuring transducer	NEW 541
SHD 692	Differential pressure transmitter	NEW 543
SW	Flow monitor	635

TYP		SEITE
T		
TF 43	Duct / immersion / screw-in sensor	208
TF 54	Duct / immersion / screw-in sensor	220
TF 65	Duct / immersion / screw-in sensor	206
TM 54	Duct / immersion / screw-in sensor	289
TM 43	Duct / immersion / screw-in sensor	279
TM 65	Duct / immersion / screw-in sensor	279
TM 65-EtherCATP	Duct / immersion / screw-in sensor	035
TM 65-Modbus-T3	Duct / immersion / screw-in sensor	101
TM 65-wModbus	Duct / immersion / screw-in sensor	NEW 101
TR 22	Temperature controller	339
TR 040	Temperature controller	338
TR 04040	Temperature controller, two-step	340
TR 060	Temperature controller	338
TR xx-F	Temperature controller with remote sensor	341
TW	Dew point control switch	473
TW-Modbus-T3	Dew point control switch	133
V		
VFF	Showcase humidity sensor	447
VFTF	Showcase humidity / temperature sensor	447
VFTF-Modbus-T3	Showcase humidity / temperature sensor	129
W		
WFS	Wind vane switch	633
Accessories		
ASD-06	Connection set	649
ASD-07	Connection nipple (90°)	649
ASS-UV	Connecting hose, UV-resistant	649
DAL	Pressure outlet	649
DS-MW	Mounting bracket, sheet steel	649
ESSH	Welding protection sleeve	648
HS-Adapter	Universal bracket (top-hat rails)	651
KRD-04	Capillary tube leadthrough, plastic	646
MF-xx-K	Mounting flanges, plastic	646
MF-xx-M	Mounting flanges, metal	647
MFT-20-K	Mounting flanges, plastic	646
MK-xx	Mounting clamps	647
Modbus-Y	Y-adapter for cable gland	651
SF-xx	Sinter filter, replaceable	651
TH-Adapter-HW	Immersion sleeve adapter	648
TH 08	Immersion sleeves	638
TH	Immersion sleeves	640
THE	Immersion sleeves	644
THR	Immersion sleeves	642
PSW-09	Stainless steel paddle (SW)	651
PWFS-08	Stainless steel vane (WFS)	651
WLP-1	Heat-conductive paste, silicone-free	651
WS-xx	Protection hoods, stainless steel	650
BASIC		
	Preference programme	662 - 669

Can't find the unit type?
You can find more products in the S+S
online shop at www.SplusS.de





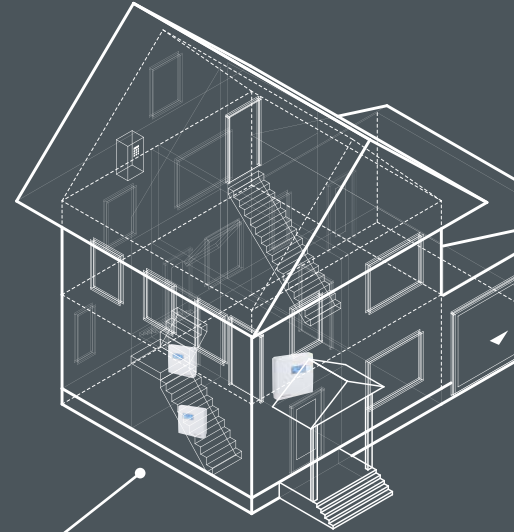
S+S REGELTECHNIK

S+S Goes Digital

USE OUR ONLINE RESOURCES
FOR PLANNING AND SOURCING

BIM READY

Building Information Modeling (BIM) is the key to efficient planning, approval, maintenance and further development of operation-critical building systems. Our products are BIM ready and can be directly integrated in your BIM process. With detailed data for all devices and in standardised formats to create a precise digital image in your BIM system.



**Benefits for architects, project designers,
building contractors and owners:**

- Transparent planning and projecting
- Fewer input errors
- Easy changes
- Speedy approvals, installation and commissioning
- Efficient maintenance
- Flexible extensions

24h

24-hours
shipment



DIRECT ONLINE ORDERING

www.SplusS.de/shop

For your convenience, you can order all items in our catalogue directly in our new web shop – 24/7 and with guaranteed shipment on working days within 24 hours.

NEW

RYMASKON® 1000 / 2000 / 3000

The perfect solution for intelligent individual room control

For the extended product family of modern individual room control units **RYMASKON® 1000 / 2000 / 3000**, we have developed our new Iduna housing series. In a timeless look with high-quality surfaces in white and black.

The graphic **design** with international symbols and multiple languages offers the perfect solution for all visible areas in the building. Intuitive operation is via touch keys or touch screen.

High-contrast **colour displays** with strong LED backlighting allow effortless reading up to a viewing angle of 85°, even under unfavourable conditions, such as strong solar irradiation.

It also **saves power** with features such as automatic brightness adjustment, stand-by mode or wake-up function using hand gestures.

The room climate can be monitored in up to 5 zones via the integrated **sensor technology**. The ability to detect open



INTEGRATED SENSOR TECHNOLOGY



INTUITIVE CONTROL

windows and a programmable reset function round out the features, which include the control of temperature, fan, sun protection and lighting. In this way, buildings can be operated in an **energy-optimised** and **environmentally-friendly** manner.

Interface and controller variants are available with a wide range of technical options. Optionally with communication interface (Modbus, BACnet, KNX) or with active outputs (0-10 V).

Further **information** on the new **RYMASKON** unit series can be found on the following pages.

Technical details from page 070



S+S REGELTECHNIK

RYMASKON® 3000

5,0" TFT touch display (Iduna 5 housing)

RYMASKON® 2000

4,3" TFT touch display (Iduna 4 housing)

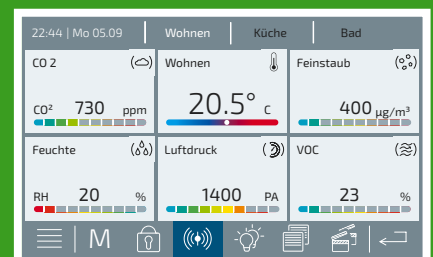
RYMASKON® 1000

2,0" TFT display or LEDs, touch keys (Iduna 1/2/3 housing)



S+S ADDED VALUE

- Timeless design in the elegant Iduna housing (white or black colour)
- Intuitive operation with modern graphics via touch keys or touch screen
- Integrated environment sensor technology enables energy-efficient room ventilation and a comfortable climate
- Power-saving and environmentally friendly thanks to features, such as automatic brightness adjustment and reset, stand-by, wake-up, time control, etc.
- Extensive room lighting control with dimming function and advanced colour settings
- Many standard languages for menu control (DE, EN, FR, ES, IT, RU, others available upon request)
- Quick and easy installation (push-in terminals) and mounting (on in-wall flush box or on-wall)
- Wide range of configuration options



NEW

RYMASKON® 1000

Compact and flexible

RYMASKON® 1000 series of room control units are designed to control **temperature, fans, sun protection** and **lighting** in offices, homes and hotels.

Two compact housing sizes with colour TFT display (2.0") or LED display are available. Operation is intuitive via capacitive **touch keys** in combination with international symbols and a wide choice of languages.

In addition to temperature and fan **control**, there are two pairs of keys available for sun protection and room lighting.

The integrated **sensors** (temperature, humidity, CO₂, VOC) support room control with **limit value** monitoring.

The units can be seamlessly integrated into an existing building management system (BMS). Optionally with communication interface (Modbus, BACnet, KNX) or with active outputs (0-10 V).

The **RYMASKON® 1000 Controller** can also be operated as a stand-alone solution thanks to the integrated control functions (PI, PWM, 2-point or 3-point control). The controller can be used with all common heating/cooling systems in room climate technology, e.g. for controlling heating convectors, fan coils, cooling ceilings or floor heating.



WHEELS

TOUCHKEYS

RYMASKON® 1000 Interface
RYMASKON® 1000 Controller



S+S REGELTECHNIK

Housing variants (Iduna 1/2/3)
 with 2,0" display or LED display, touch keys
 (adjusting wheels available upon request)



HIGHLIGHTS 1000

- 2,0" TFT display (320x240x3 RGB pixels) with LED backlighting, high contrast, 85° viewing angle
- 10 capacitive keys (freely configurable) alternatively with adjusting wheels (available upon request)
- 2 housing sizes available (92 x 82 mm and 110 x 88 mm)
- Integrated sensor technology (temperature, humidity, CO₂, VOC) with limit value monitoring
- Control of temperature, fan, sun protection (max. 2 circuits) and lighting with dimming function
- Bus capable communication (Modbus, BACnet, KNX) or active outputs (0-10 V)
- Controller unit type for heating convectors and fan coils, with continuous output (0-10V) or with 2-point or 3-point regulation (relay) for 2-pipe and 4-pipe systems
- Other configuration options

More details from page 070

NEW

RYMASKON® 2000 / 3000

Versatile and smart

RYMASKON® 2000 / 3000 series of room control units are designed to control **temperature, fans, sun protection** and **lighting** in up to 5 climate zones (rooms); specially designed for offices, practices, restaurants, hotels and smart homes.

Choice of two housing formats with large TFT colour displays (4.3" or 5.0"). Intuitive operation on a **touch screen** with international symbols and a wide choice of languages.

Besides the control of **temperature** and **fan**, they also provide 4 or 20 circuits each for **sun protection** and **lighting** (with dimming function).

The integrated **sensors** (temperature, humidity, CO₂, VOC) support room control with **limit value** monitoring.

The units can be seamlessly integrated into an existing building management system (BMS). Optionally with communication interface (Modbus, BACnet, KNX) or with active outputs (0-10 V).

The **RYMASKON® 2000 Controller** can also be operated as a stand-alone solution thanks to the integrated control functions (PI, PWM, 2-point or 3-point control). The controller can be used with all common heating/cooling systems in room climate technology, e.g. for controlling heating convectors, fan coils, cooling ceilings or floor heating.



TOUCHPANEL



S+S REGELTECHNIK

RYMASKON® 2000 Interface
RYMASKON® 2000 Controller
with 4.3" display, Iduna 4 housing

RYMASKON® 3000 Interface
with 5.0" display, Iduna 5 housing



Further
information
upon request

HIGHLIGHTS 2000

- 4.3" TFT display (800 x 480 x 3 RGB pixels) with LED backlighting, high contrast, 85° viewing angle
- High-performance Quad Core CPU with 1.5 GHz, 512 MB RAM and 4 GB memory
- Iduna 4 housing (approx. 129 x 88 mm)
- Integrated sensor technology (temperature, humidity, CO₂, VOC) with limit value monitoring
- Control of temperature and ventilation
- Control of 4 circuits each for sun protection and lighting
- Freely configurable function icons (e.g. lighting or sun protection)
- 8 scenes with start and end time (e.g. meeting, cinema, holiday, etc.)
- 'Please do not disturb' (e.g. in hotels, offices, practices)
- Bus capable communication (Modbus, BACnet, KNX) or active outputs (0-10 V)
- Controller unit type for heating convectors and fan coils, with continuous output (0-10 V) or with 2-point or 3-point regulation (relay) for 2-pipe and 4-pipe systems
- Other configuration options

UPGRADE 3000

- 5.0" TFT display (800 x 480 x 3 RGB pixels)
- Iduna 5 housing (approx. 143 x 98 mm)
- Control of 20 circuits each for sun protection and lighting
- Additional multi-room control (up to 5 rooms)

NEW

W-MODBUS – Wireless Modbus replaces a conventional RTU cable

Our new units with integrated W-Modbus technology provide the data points via radio. This means that there is no need for a conventional bus cable, while the Modbus RTU standard remains fully intact.

A wireless mesh topology is set up with the W-Modbus, offering maximum installation flexibility.

All units are connected to each other and thus help ensure that they cover an entire building.

The new W-Modbus technology creates a wireless Modbus RTU network that maintains the standardisation of the protocol and transmits the Modbus RTU signal wirelessly with low latency.

Patented functions enable extremely reliable and secure wireless communication, fast installation and extended ranges – even if a device in the mesh should fail.

Technical details from page 068

HIGHLIGHTS

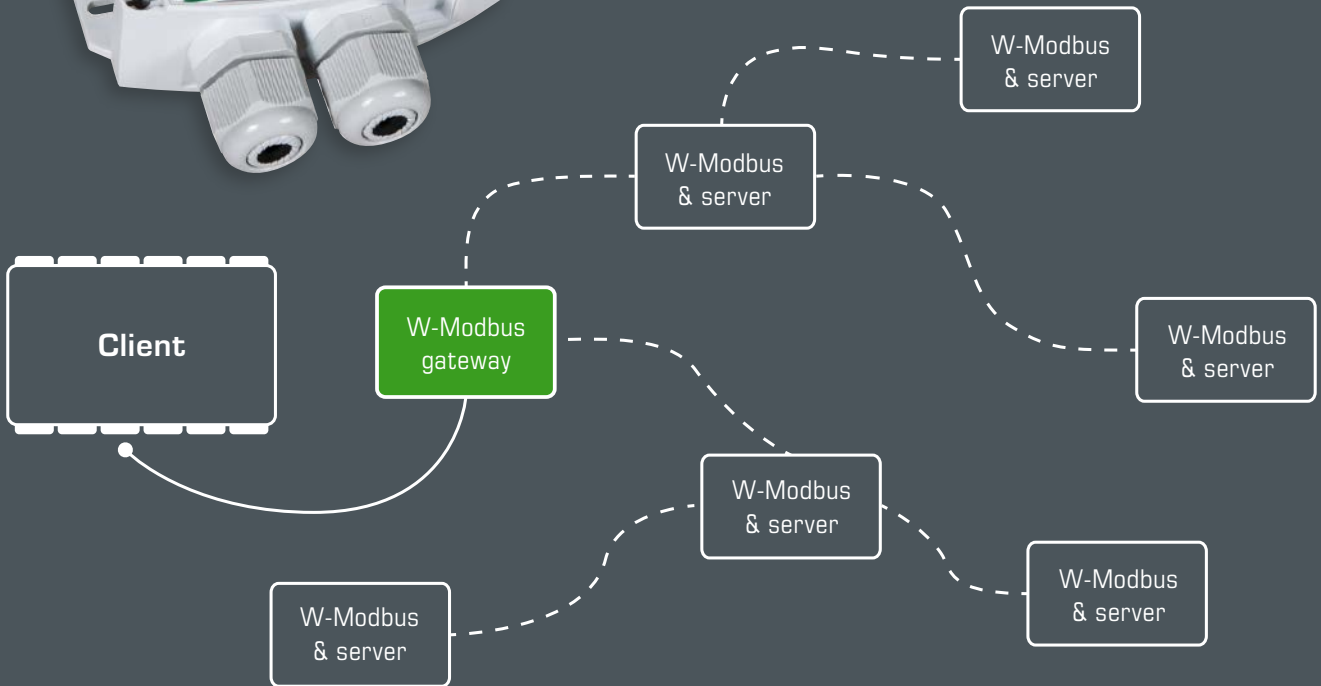
- Wireless Modbus RTU architecture for smart HVAC and building automation
- Licence-free ISM band at 2.4 GHz
- Up to 100 units (nodes) in a shared mesh topology
- Signal transmission at low latency
- Long range up to 500 m (line of sight) by sending and forwarding data points (up to 8 hops)
- Ideal for refurbishment /retrofitting in the field and in rooms
- Reduced costs and time required for wiring (no data cable required), installation planning, troubleshooting
- Quick installation (push-in terminals) and easy mounting on in-wall flush box or on-wall
- Immediate commissioning in 3 steps (e.g. set address only, no further bus parameters necessary)
- Many standard languages for menu control (DE, EN, FR, ES, IT, RU, others available upon request)

W-Modbus

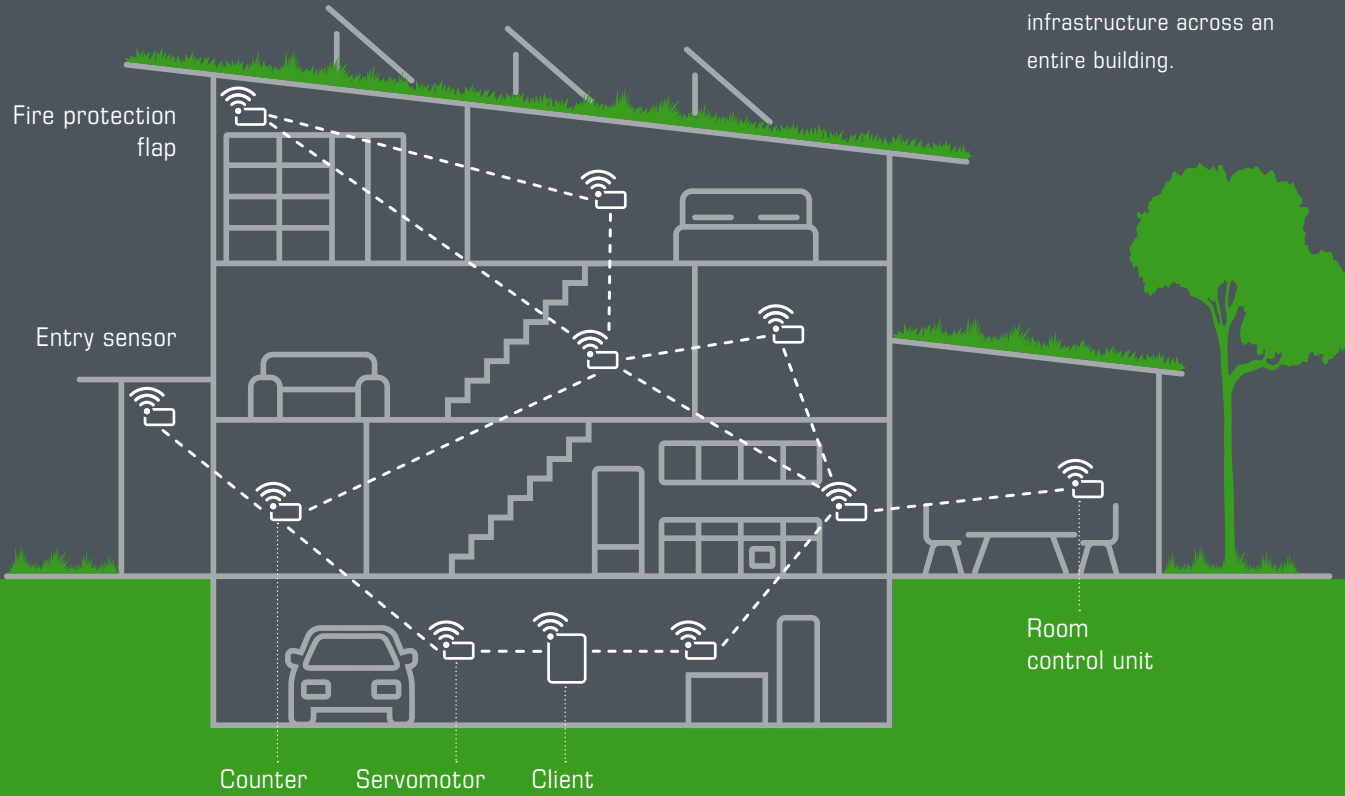
WIRELESS FIELDBUS SOLUTIONS FOR SMART BUILDINGS



The W-Modbus network consists of up to 100 network nodes and one **W-Modbus gateway**. This converts the radio signals and transmits the Modbus RTU protocol to the client via data cable.



W-Modbus makes it easy to extend the network infrastructure across an entire building.



NEW RHEASGARD® & RHEASREG®

Electronic air flow sensors for flow velocity, temperature and volume flow

Our new product family of precise airflow sensors increases well-being and improves energy efficiency. Besides the duct sensor, there are further housing variants available with an external duct probe for on-wall or top-hat rail mounting.

The electronic sensor detects the **flow velocity** (0.1... 20 m/s). It is suitable for monitoring or controlling airflows in ducts, at fans and dampers, for flow-dependent monitoring of humidifiers and electric heating registers according to DIN 57100, Sect. 420, or for use in connection with DDC systems.

The **volume flow** (by way of simple calculation using the **duct cross-section** and the flow velocity) and the **temperature** can be retrieved as additional parameters depending on the type.

For technical details see product section

HIGHLIGHTS

- Precise flow sensor (calorimetric, calibratable, temperature-compensated) with sensor breakage protection
- Measuring range 0.1...20 m/s with start-up override
- Other parameters: temperature and volume flow
- Measuring transducer with active output or Modbus connection (RTU)
- Changeover contact with automatic reset
- **Monitor** for voltage supply **24 V AC/DC** or **230 V AC**

KLGF-U
KLGF(VT)-W (AOS)
KLGF(VT)-Modbus
KLSW-W24
KLSW-W230



Automatic Detection and Switching to 0...10V or 4...20mA standard signal



AOS-PATENTED

AUTOMATIC OUTPUT SWITCHING



S+S REGELTECHNIK

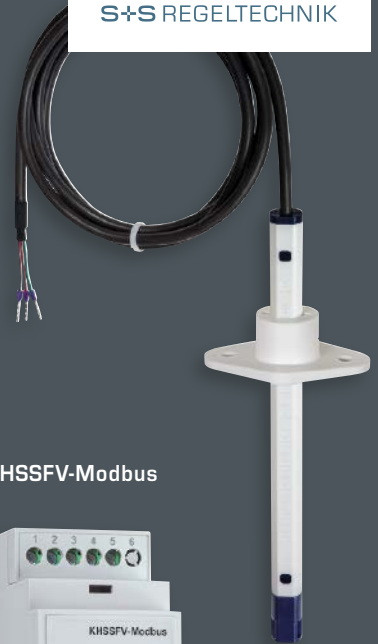


NEW

PLGF-U
PLGF(VT)-W (AOS)
PLGF(VT)-Modbus
PLSW-W24



Alternative designs:
Top-hat rail housing
(2TE for 35 mm mounting rail)
or on-wall housing (Tyr 2)
with external duct probe
for flow velocity, volume flow
and temperature



KHSSF-W
KHSSW-W24
KHSSW-W230

KHSSFV-Modbus



NEW

Voltage supply	Output active / Modbus	Output switching	Additional parameters	Housing Tyr 2 with duct tube (Pleuroform)	Housing Tyr 2 (on-wall) + external probe	Top-hat rail housing + external probe
RHEASGARD® Airflow sensor				KLGF-U	PLGF-U	
24V AC / DC	0-10V	–	–	■ □	■ □	–
RHEASGARD® Airflow sensor (AOS)				KLGF(VT)-W	PLGF(VT)-W	KHSSF-W
24V AC / DC	0-10V / 4...20mA *	1 changeover contact	–	–	–	●
24V AC / DC	0-10V / 4...20mA *	1 changeover contact	T	■ □	■ □	–
24V AC / DC	0-10V / 4...20mA *	1 changeover contact	T V	■ □	■ □	–
RHEASGARD® Airflow sensor (Modbus)				KLGF(VT)-Modbus	PLGF(VT)-Modbus	KHSSFV-Modbus
24V AC / DC	Modbus RTU	–	–	■ □	■ □	–
24V AC / DC	Modbus RTU	–	T V	■ □	■ □	●
RHEASREG® Airflow monitor (24V)				KLSW-W24	PLSW-W24	KHSSW-W24
24V AC / DC		1 changeover contact	–	■ □	■ □	●
RHEASREG® Airflow monitor (230V)				KLSW-W230		KHSSW-W230
230V AC		1 changeover contact	–	■ □	–	●

- = potentiometer (setpoint)
- = without display
- = with display

* **AOS (Automatic Output Switching)** = patented analogue interface (patent no. DE 10 2015 015 941 B4)
T = temperature (0...+50°C) – additional measurand
V = volume flow (0...200 000 m³/h) – alternative parameter, can be configured via display!

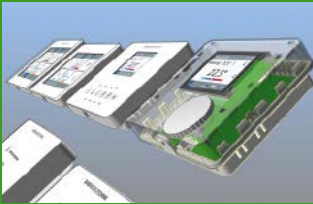
Everything from a Single Source

S+S stands for a fully integral value chain.

All products are designed, developed, manufactured and programmed in-house. Our new gigafactory in Nuremberg also includes a test centre with climate chambers, measuring benches and calibration facilities for all measurands.

- approx. 85 employees
- 4000 m² of production space, incl. test centre, warehousing and shipping area
- 2000 m² of office space for development, marketing, sales and administration
- 24 hours shipping service
- Made-to-order manufacturing

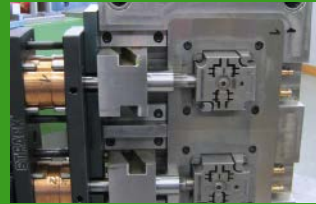




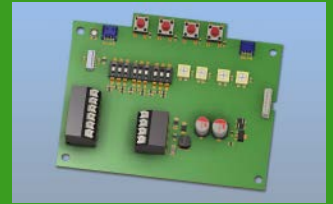
Design



Construction



Toolmaking



Hard- & Software



Test Equipment



Production



Testing



Shipping



S+S Catalogue Items 2024





ETHERCAT P

Bus-capable sensors
for industrial automation

028 - 057



MODBUS & W-MODBUS

Single-room controllers with touch
screen or keys, bus-capable sensors
with programmable control

058 - 177



THERMASGARD® & THERMASREG®

Temperature sensors /
temperature transducers,
temperature controllers and thermostats

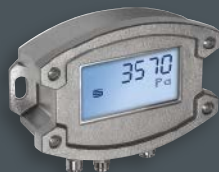
178 - 367



HYGRASGARD® & HYGRASREG®

Humidity sensors /
humidity transducers,
humidity controllers and hygrometers

368 - 475



PREMASGARD® & PREMASREG®

Pressure sensors /
pressure transducers,
pressure regulators and switches

476 - 543



PHOTASGARD® & KINASGARD®

Light intensity sensors,
motion detectors
and presence detectors

544 - 567



AERASGARD®

Air quality sensors /
air quality transducers for
VOC, CO₂ and fine dust

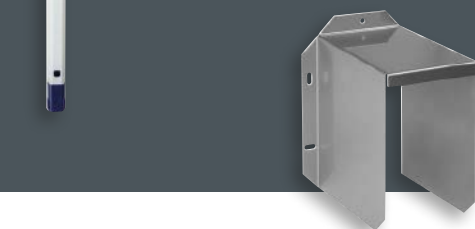
568 - 623



RHEASGARD® & RHEASREG®

Air velocity sensors,
flow monitors and controllers

624 - 635



Immersion sleeves & Accessories

Optional services,
Basic Programme, appendix

636 - 675



The industrial single-cable solution for communication and power

Industrial automation requires quick and cohesive solutions for real-time communication from control level to field level.

You can also fulfil these increased demands in the sensor technology area with our bus capable measuring transducers for connecting to EtherCAT P.

Application Areas

- Industrial process and plant automation
- Central energy management in the manufacturing industry and in process engineering
- Networked measuring and control of temperature, humidity and pressure parameters in poorly accessible or distant areas





THERMASGARD®, HYGRASGARD®, PREMASGARD® – ETHERCATP CAPABLE MEASURING TRANSDUCERS



Temperature sensors

ATM 2-EtherCATP	Outside temperature sensor	033
TM 65-EtherCATP	Duct / immersion / screw-in temperature sensor	035
MWTM-EtherCATP	Mean-value temperature sensor	041
HFTM-EtherCATP	Sleeve sensor with cable	043
ALTM 2-EtherCATP	Surface-contact temperature sensor	045

Moisture and temperature sensors

AFTF-EtherCATP	On-wall humidity and temperature sensor	049
KFTF-EtherCATP	Duct humidity and temperature sensor	053

Pressure sensors

PREMASGARD® 612x-EtherCATP	Pressure sensor for differential pressure and volume flow	057
-----------------------------------	-----------------------------------------------------------	------------

Accessories

Special accessories for EtherCATP	653
For others see chapter Accessories	638



THERMASGARD®, HYGRASGARD®, PREMASGARD® – for industrial automation

Ultra-fast industrial bus

Our new EtherCAT P sensors are perfectly tailored for automation without switch cabinets in industrial process, system and facility engineering. For central energy management and for networked temperature, humidity and pressure control in areas that are difficult to access.

Optimum Precision

All devices are developed, manufactured and tested in accordance with the latest criteria. Take advantage of our experience, our development, manufacturing and product know-how and order these products directly from the manufacturer.

Technical Highlights

- EtherCAT capable
- Can be cascaded in all topologies
- Dual power supply
- Minimal amount of wiring due to M8 connectors
- Fewer fault sources

S+S added value

- Large, three-line display, individually programmable
- Configurable bar graph for displaying the measured value
- Additional configuration facilities, e.g. measurand, filtering, sample time
- Extended sensor data, e.g. retrievable history, maintenance interval determination

Certified quality and tested safety



Development, production and sales are certified by TÜV Thüringen according to DIN EN ISO 9001:2015 (quality management) and ISO 14001:2015 (environmental management).



RoHS conforming materials



ESD compliant manufacturing



CE conformity



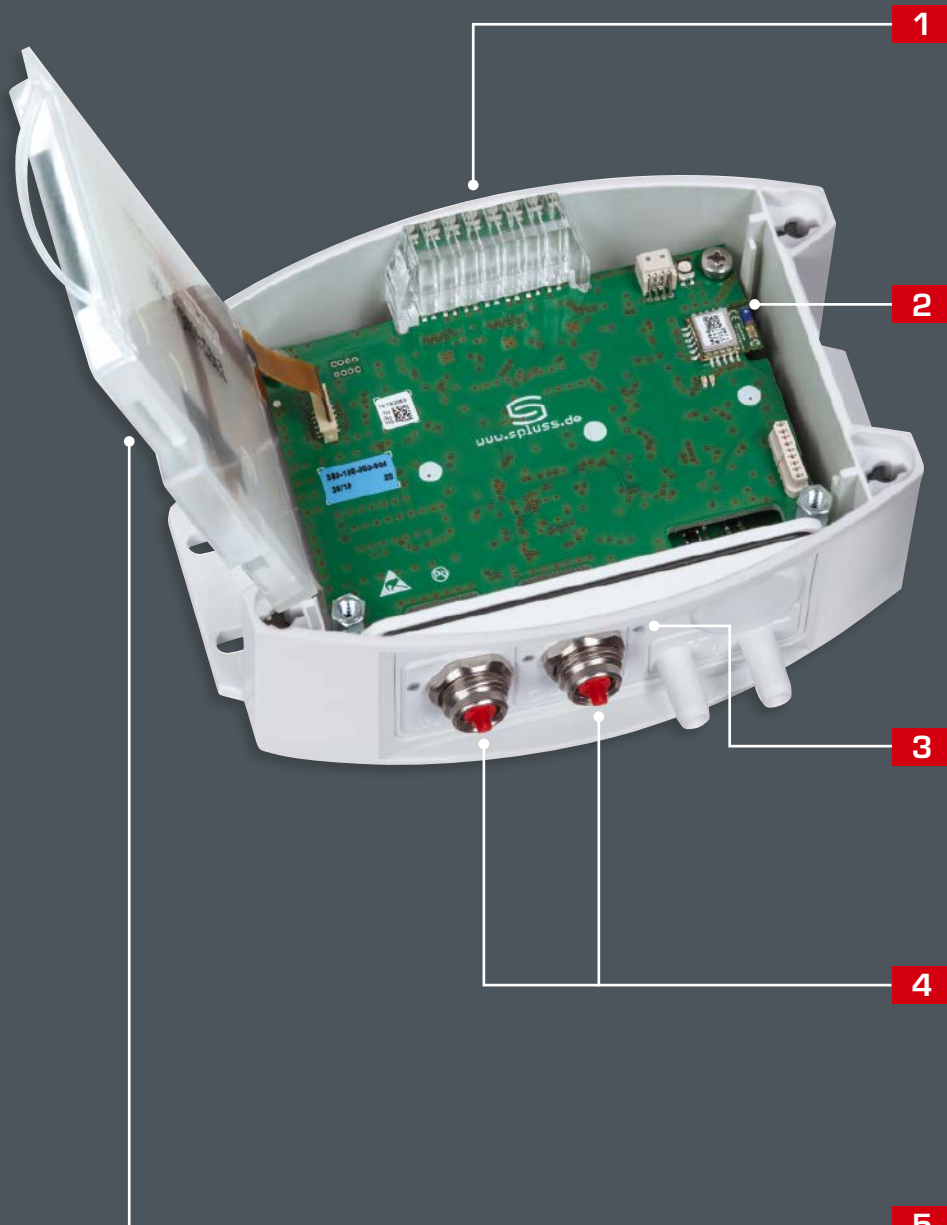
UKCA conformity (UK Conformity Assessed)



EAC certified



GOST certified



1

Bargraph

Fibre optics with 7 LEDs, colours, colour change or colour gradient freely configurable, e.g. as traffic light display

2

Bluetooth

Module for wireless communication

3

Status LEDs

For displaying the three EtherCAT operating statuses IN, OUT and RUN

4

M8 connectors

Low wiring effort due to EtherCATP coded built-in connectors

5

Illuminated display

Large, three-line display with background lighting, individually programmable



S+S TECHNOLOGY FOR SMART BUILDINGS

On-wall / outdoor- / wet room temperature measuring transducers, Bluetooth-enabled, with EtherCATP port

Networkable outdoor temperature measuring transducer **THERMASGARD® ATM2 - EtherCATP** with M8 plug-in connector (EtherCATP-encoded), Bluetooth-enabled, in an impact-resistant plastic housing with quick-locking screws, optionally with /without display and bar graph.

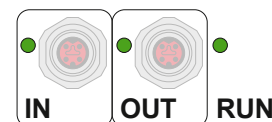
The on-wall sensor is used to detect the temperature in gaseous media. It is used outdoors or in wet rooms, in cold storage buildings and greenhouses, in the industrial sector and in agriculture. Installation on outside walls is preferably performed on the north side or in a protected place. In case of direct solar irradiation, the weather and sun protection hood **WS 03** (accessory) is to be used. The sensor is factory-calibrated.

EtherCATP-enabled measuring transducer for industrial requirements with maximum reliability: includes easy PLC integration using the device's ESI configuration file, diagnostics (such as communication failure counter), advanced settings options, access to historical data (min / max) and establishing the sensor's service interval. Optionally with large illuminated display (3-line, customised programming in the 7-segment and dot-matrix range) and bar graph (7-digit, LEDs freely configurable) for graphical display, e.g., as a traffic light indicator.

ATM2 - EtherCATP



EtherCATP
Cable connection and LED status display



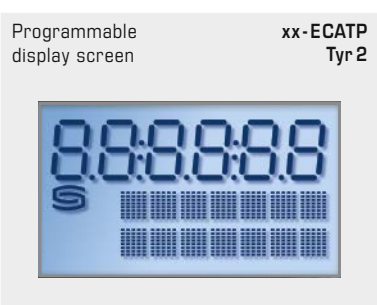
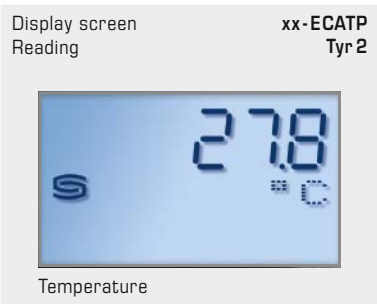
TECHNICAL DATA

Power supply:	24VDC via EtherCATP (U _S)
Power consumption:	< 3W
Bus protocol:	EtherCAT
Radio technology:	Bluetooth (LE)
Sensor:	Pt1000, DIN EN 60751, class B (Perfect Sensor Protection)
Measuring range:	-50...+150°C
Deviation in temperature:	Typically ± 0.2K at +25°C
Medium:	Clean air and non-aggressive, non-combustible gases
Protective tube:	Stainless steel, V4A (1.4571), Ø = 6mm (see dimensional drawing)
Housing:	Plastic, UV-resistant, polyamide material, 30% glass-globe reinforced, with quick-locking screws (slotted / Phillips head combination), colour traffic white (similar to RAL 9016), housing cover for display is transparent!
Housing dimension:	126 x 90 x 50mm (Tyr2)
Cable connection:	M8 plug-in connector , EtherCATP-encoded
Ambient temperature:	Measuring transducer -30...+70°C
Permitted humidity:	< 95% RH, non-precipitating air
Protection class:	III (according to EN 60730)
Protection type:	IP 54 (according to EN 60529) when built-in
Standards:	CE conformity, according to EMC Directive 2014 / 30 / EU, according to RED 2014 / 53 / EU
Equipment:	Display with illumination , 3-line, customised programming, cutout approx. W 51 x H 29mm, to display the actual temperature or a customised display value. Bar graph , 7-digit, LEDs freely configurable, to graphically display the reading.

ACCESSORIES See table

EtherCAT P	LED status display
1. LED	"IN"
off	no connection to upstream EtherCAT module
illuminated	LINK: connection to upstream EtherCAT module
blinking	ACT: communication with upstream EtherCAT module
2. LED	"OUT"
off	no connection to downstream EtherCAT module
illuminated	LINK: connection to downstream EtherCAT module
blinking	ACT: communication with downstream EtherCAT module
3. LED	"RUN"
off	EtherCAT module is in "Init" state
quickly blinking	EtherCAT module is in "Pre-Operational" state
slowly blinking	EtherCAT module is in "Safe-Operational" state
illuminated	EtherCAT module is in "Operational" state

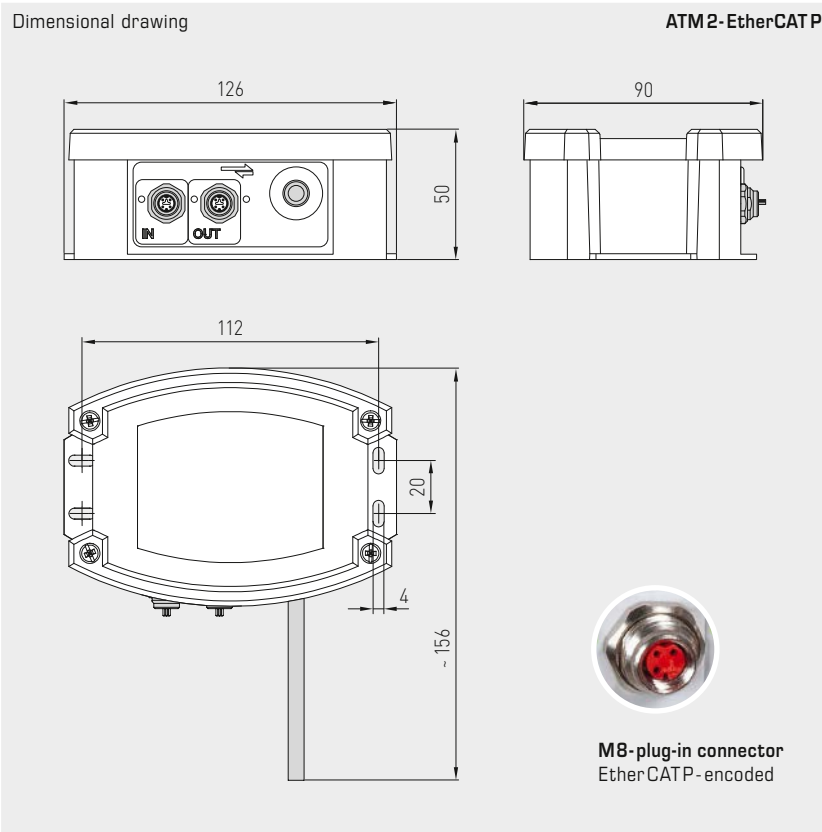
The status LEDs are next to the cable connection.





S+S REGELTECHNIK

On-wall / outdoor- / wet room temperature measuring transducers, Bluetooth-enabled, with EtherCAT P port



ATM2-EtherCAT P with display and bar graph



WS-03

Weather and sun protection hood, (optional)



High-performance encapsulation against vibration, mechanical stress and humidity



THERMASGARD® ATM2 - EtherCAT P		On-wall temperature sensor, with EtherCAT P port				
Type / WG02	Measuring Range Temperature	Sensor	Output	Bar graph Display	Item No.	Price
ATM2-ECATP xx						
ATM2-ECATP	-50...+150 °C	Pt1000	EtherCAT P		2001-6201-9100-001	356,23 €
ATM2-ECATP LCD	-50...+150 °C	Pt1000	EtherCAT P	<input type="checkbox"/> <input checked="" type="checkbox"/>	2001-6202-9100-001	403,86 €
Note:	Cable connection with M8 plug-in connector (EtherCAT P-encoded)					

ACCESSORIES		
WS-03	Weather and sun protection hood, 200 x 180 x 150 mm, stainless steel V2A (1.4301)	7100-0040-6000-000 46,08 €

For further information, see last chapter Accessories!

Immersion / screw-in / duct temperature measuring transducer, Bluetooth-enabled, with EtherCATP port

Networkable temperature measuring transducer with sensor tube **THERMASGARD® TM65-EtherCATP** with M8 plug-in connector (EtherCATP-encoded), Bluetooth-enabled, in an impact-resistant plastic housing with quick-locking screws, optionally with /without display and bar graph.

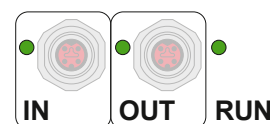
The duct sensor is used to detect the temperature in liquid or gaseous media. Use the stainless steel immersion sleeves for aggressive media. It is used in heating engineering, ventilation and air conditioning ducts, pipes, storage systems, compact district heating stations, warm and cold water systems, oil and lubrication cycle systems, machine and systems engineering and the entire industry sector. The sensor is factory-calibrated.

EtherCATP-enabled measuring transducer for industrial requirements with maximum reliability: includes easy PLC integration using the device's ESI configuration file, diagnostics (such as communication failure counter), advanced settings options, access to historical data (min / max) and establishing the sensor's service interval. Optionally with large illuminated display (3-line, customised programming in the 7-segment and dot-matrix range) and bar graph (7-digit, LEDs freely configurable) for graphical display, e.g., as a traffic light indicator.

TM65-EtherCATP



EtherCATP
Cable connection and LED status display



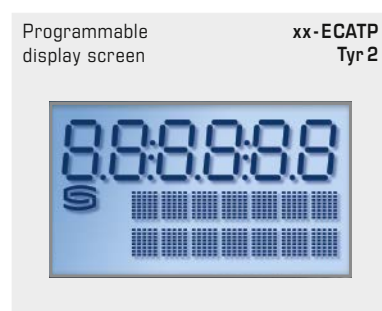
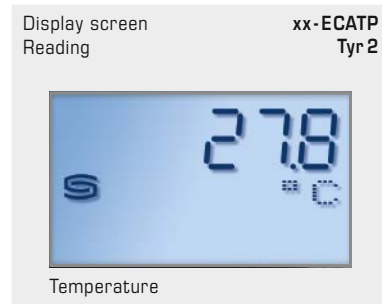
TECHNICAL DATA

Power supply:	24VDC via EtherCATP (U _S)
Power consumption:	< 3W
Bus protocol:	EtherCAT
Radio technology:	Bluetooth (LE)
Sensor:	Pt1000, DIN EN 60751, class B (Perfect Sensor Protection)
Measuring range:	-50...+150°C
Deviation in temperature:	Typically ± 0.2K at +25°C
Medium:	Clean air and non-aggressive, non-combustible gases; liquids depending on selected immersion sleeve (accessory)
Protective tube:	Stainless steel, V4A (1.4571), Ø = 6mm, installation length (IL) = 50-400mm (see table)
Housing:	Plastic, UV-resistant, polyamide material, 30% glass-globe reinforced, with quick-locking screws (slotted / Phillips head combination), colour traffic white (similar to RAL 9016), housing cover for display is transparent!
Housing dimension:	126 x 90 x 50mm (Tyr 2)
Cable connection:	M8 plug-in connector , EtherCATP-encoded
Ambient temperature:	Measuring transducer -30...+70°C
Permitted humidity:	< 95% RH, non-precipitating air
Protection class:	III (according to EN 60730)
Protection type:	IP 54 (according to EN 60529) when built-in
Standards:	CE conformity, according to EMC Directive 2014 / 30 / EU, according to RED 2014 / 53 / EU
Equipment:	Display with illumination , 3-line, customised programming, cutout approx. W51 x H29mm, to display the actual temperature or a customised display value. Bar graph , 7-digit, LEDs freely configurable, to graphically display the reading.

ACCESSORIES See table

EtherCAT P	LED status display
1. LED	"IN"
off	no connection to upstream EtherCAT module
illuminated	LINK: connection to upstream EtherCAT module
blinking	ACT: communication with upstream EtherCAT module
2. LED	"OUT"
off	no connection to downstream EtherCAT module
illuminated	LINK: connection to downstream EtherCAT module
blinking	ACT: communication with downstream EtherCAT module
3. LED	"RUN"
off	EtherCAT module is in "Init" state
quickly blinking	EtherCAT module is in "Pre-Operational" state
slowly blinking	EtherCAT module is in "Safe-Operational" state
illuminated	EtherCAT module is in "Operational" state

The status LEDs are next to the cable connection.

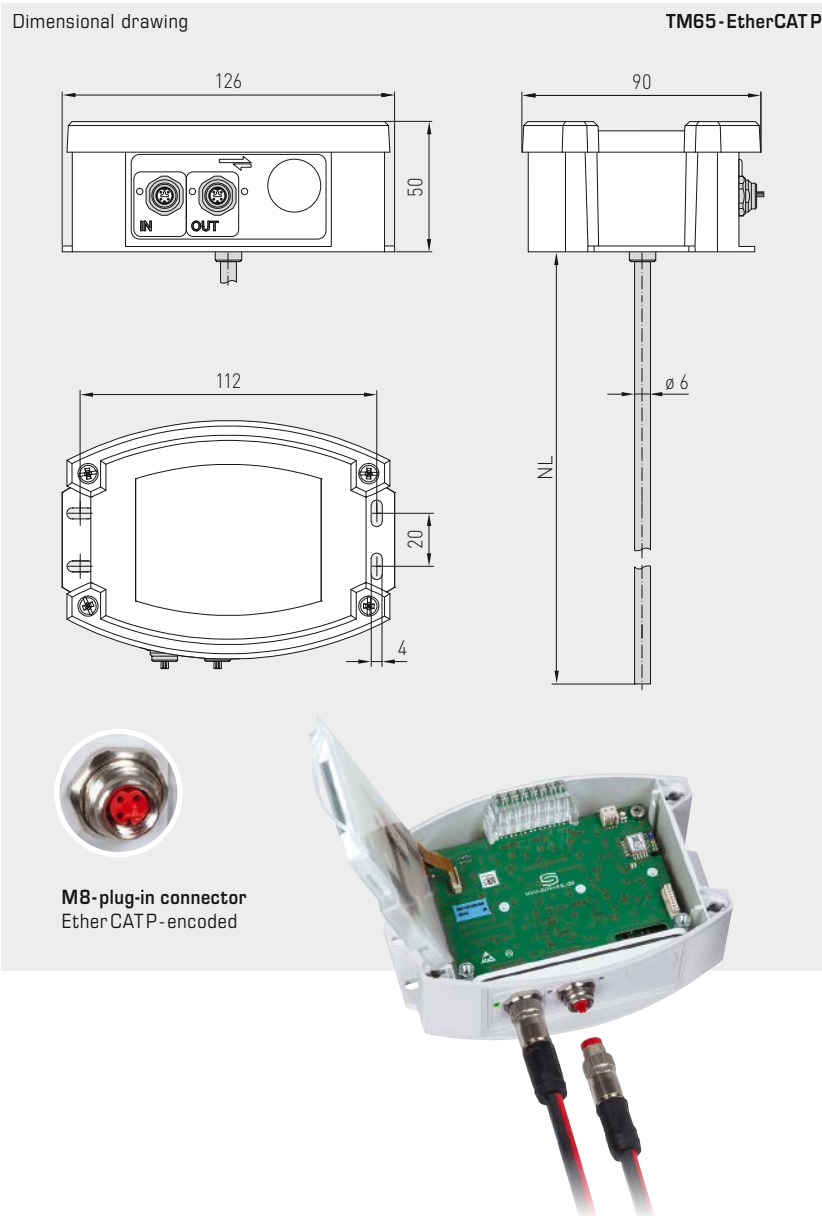




S+S REGELTECHNIK

THERMASGARD® TM65 - EtherCAT P

Immersion / screw-in / duct
temperature measuring transducer, Bluetooth-enabled,
with EtherCAT P port



M8-plug-in connector
EtherCAT P-encoded



TM65 - EtherCAT P
with display and bar graph

High-performance encapsulation against
vibration, mechanical stress and humidity



THERMASGARD® TM65 - EtherCAT P		Temperature measuring transducer (basic unit), with EtherCAT P port				
Type / WG02	Measuring Range Temperature	Output	Inserted Length (EL)	Bar graph Display	Item No.	Price
TM65-ECATP xx						
TM65-ECATP 50mm	-50...+150 °C	EtherCAT P	50 mm		2001-4201-9100-011	352,21 €
TM65-ECATP 50mm LCD				<input type="checkbox"/> <input checked="" type="checkbox"/>	2001-4202-9100-011	399,87 €
TM65-ECATP 100mm	-50...+150 °C	EtherCAT P	100 mm		2001-4201-9100-021	352,65 €
TM65-ECATP 100mm LCD				<input type="checkbox"/> <input checked="" type="checkbox"/>	2001-4202-9100-021	400,31 €
TM65-ECATP 150mm	-50...+150 °C	EtherCAT P	150 mm		2001-4201-9100-031	353,13 €
TM65-ECATP 150mm LCD				<input type="checkbox"/> <input checked="" type="checkbox"/>	2001-4202-9100-031	400,76 €
TM65-ECATP 200mm	-50...+150 °C	EtherCAT P	200 mm		2001-4201-9100-041	353,57 €
TM65-ECATP 200mm LCD				<input type="checkbox"/> <input checked="" type="checkbox"/>	2001-4202-9100-041	401,21 €
TM65-ECATP 250mm	-50...+150 °C	EtherCAT P	250 mm		2001-4201-9100-051	354,00 €
TM65-ECATP 250mm LCD				<input type="checkbox"/> <input checked="" type="checkbox"/>	2001-4202-9100-051	401,64 €
TM65-ECATP 300mm	-50...+150 °C	EtherCAT P	300 mm		2001-4201-9100-061	354,45 €
TM65-ECATP 300mm LCD				<input type="checkbox"/> <input checked="" type="checkbox"/>	2001-4202-9100-061	402,09 €
TM65-ECATP 400mm	-50...+150 °C	EtherCAT P	400 mm		2001-4201-9100-081	354,90 €
TM65-ECATP 400mm LCD				<input type="checkbox"/> <input checked="" type="checkbox"/>	2001-4202-9100-081	402,53 €

Note: Cable connection with M8 plug-in connector (EtherCAT P-encoded)

Immersion / screw-in / duct
temperature measuring transducer, Bluetooth-enabled,
with EtherCAT port

One basic device in four variants ...



**TM65-ECATP +
TH - ms / xx**

Immersion / screw-in
temperature sensor
with immersion sleeve, brass,
nickel-plated / galvanised

**TM65-ECATP +
TH - VA / xx**

Immersion / screw-in
temperature sensor
with immersion sleeve,
stainless steel, V4A

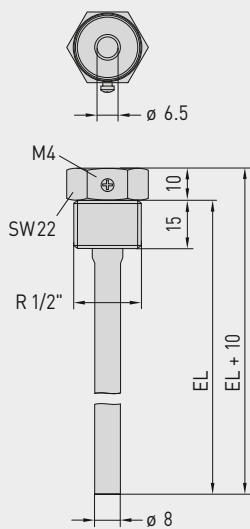
**TM65-ECATP +
TH - VA / xx / 90**

Immersion / screw-in
temperature sensor with
immersion sleeve with
neck tube, stainless steel, V4A

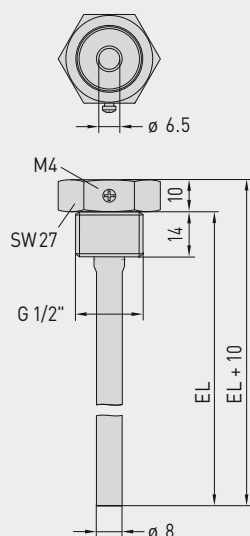
**TM65-ECATP +
MF-06-K**

Duct temperature sensor
with mounting flange,
plastic

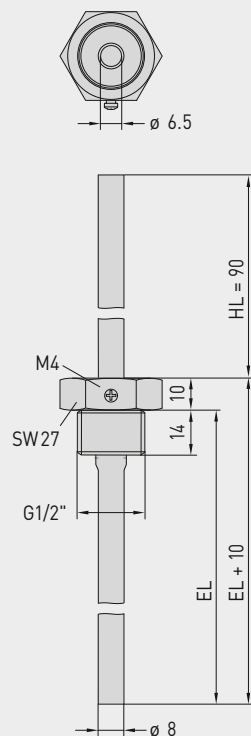
Dimensional drawing
TH - ms / xx



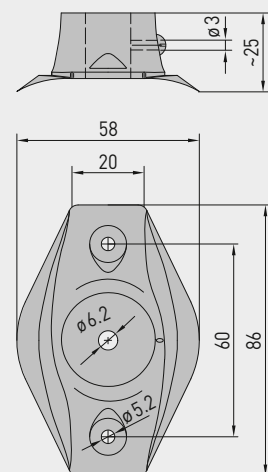
Dimensional drawing
TH - VA / xx



Dimensional drawing
TH - VA / xx / 90



Dimensional drawing
MF-06-K





... through combination with accessories:



TH -ms/xx
Immersion sleeve, brass, nickel-plated / galvanised, thread-sealing, conical, according to DIN 10226



TH -VA/xx
Immersion sleeve, stainless steel, V4A, flat-sealing, cylindrical, according to DIN 228



TH -VA/xx/90
Immersion sleeve with neck tube, stainless steel, V4A, flat-sealing, cylindrical, according to DIN 228



MF-06-K
Mounting flange, plastic

THERMASGARD® TH Immersion sleeve Ø 8 mm (Accessories)					
Type / WG01	p _{max} (static)	T _{max}	Inserted Length (EL)	Item No.	Price
TH -ms/xx	Brass nickel-plated / galvanised			without neck tube	
TH-MS 50MM	10 bar	+150 °C	50 mm	7100-0011-0010-001	9,59 €
TH-MS 100MM	10 bar	+150 °C	100 mm	7100-0011-0020-001	10,93 €
TH-MS 150MM	10 bar	+150 °C	150 mm	7100-0011-0030-001	11,54 €
TH-MS 200MM	10 bar	+150 °C	200 mm	7100-0011-0040-001	11,91 €
TH-MS 250MM	10 bar	+150 °C	250 mm	7100-0011-0050-001	13,79 €
TH-MS 300MM	10 bar	+150 °C	300 mm	7100-0011-0060-001	14,17 €
TH-MS 350MM	10 bar	+150 °C	350 mm	7100-0011-0070-001	14,29 €
TH-MS 400MM	10 bar	+150 °C	400 mm	7100-0011-0080-001	14,42 €
TH -VA/xx	Stainless steel V4A (1.4571)			without neck tube	
TH-VA 50MM	40 bar	+600 °C	50 mm	7100-0012-0010-001	20,89 €
TH-VA 100MM	40 bar	+600 °C	100 mm	7100-0012-0020-001	23,08 €
TH-VA 150MM	40 bar	+600 °C	150 mm	7100-0012-0030-001	24,80 €
TH-VA 200MM	40 bar	+600 °C	200 mm	7100-0012-0040-001	26,14 €
TH-VA 250MM	40 bar	+600 °C	250 mm	7100-0012-0050-001	32,50 €
TH-VA 300MM	40 bar	+600 °C	300 mm	7100-0012-0060-001	33,96 €
TH-VA 350MM	40 bar	+600 °C	350 mm	7100-0012-0070-001	34,19 €
TH-VA 400MM	40 bar	+600 °C	400 mm	7100-0012-0080-001	34,79 €
TH -VA/xx/90	Stainless steel V4A (1.4571)			with neck tube (90 mm)	
TH-VA 50/90MM	40 bar	+600 °C	50 mm	7100-0012-2010-001	29,91 €
TH-VA 100/90MM	40 bar	+600 °C	100 mm	7100-0012-2020-001	31,26 €
TH-VA 150/90MM	40 bar	+600 °C	150 mm	7100-0012-2030-001	32,80 €
TH-VA 200/90MM	40 bar	+600 °C	200 mm	7100-0012-2040-001	34,19 €
TH-VA 250/90MM	40 bar	+600 °C	250 mm	7100-0012-2050-001	35,83 €
TH-VA 300/90MM	40 bar	+600 °C	300 mm	7100-0012-2060-001	38,84 €
Note:	inner diameter of socket 6.5 mm For further information see last chapter!				
Mounting flange (Accessories)					
Type / WG01				Item No.	Price
MF xx					
MF-06-K	Mounting flange, plastic, 56.8x84.3 mm, Ø 6.2 mm tube gland, T_{max} +100°C			7100-0030-1000-000	6,30 €
Note:	For information see last chapter!				

Mean value temperature measuring transducer, incl. mounting flange, Bluetooth-enabled, with EtherCATP port

Networkable mean value temperature measuring transducer **THERMASGARD® MWTM-EtherCATP** with M8 plug-in connector (EtherCATP-encoded), Bluetooth-enabled, in an impact-resistant plastic housing with quick-locking screws, optionally with /without display and bar graph, with bendable sensor rod (0.4...20m, fully active) in a robust plastic-coated protective copper tube, incl. mounting flange.

The rod sensor is used to detect the mean temperature (mean value) in gaseous media. It is used in ventilation and air conditioning ducts over the entire cross-section or on a defined length (laid along a meandering route, it uniformly detects the surrounding temperature). For proper mounting of the rod, mounting clamps **MK-05-M** (accessory) are available. The sensor is factory-calibrated.

EtherCATP-enabled measuring transducer for industrial requirements with maximum reliability: includes easy PLC integration using the device's ESI configuration file, diagnostics (such as communication failure counter), advanced settings options, access to historical data (min / max) and establishing the sensor's service interval. Optionally with large illuminated display (3-line, customised programming in the 7-segment and dot-matrix range) and bar graph (7-digit, LEDs freely configurable) for graphical display, e.g., as a traffic light indicator.

MWTM-EtherCATP
Rod length
0,4 m



EtherCATP
Cable connection and
LED status display

TECHNICAL DATA

Power supply:	24 V DC via EtherCATP (U _S)
Power consumption:	< 3 W
Bus protocol:	EtherCAT
Radio technology:	Bluetooth (LE)
Sensor:	Pt1000, DIN EN 60751, class B
Measuring range:	-50...+150 °C T_{min} -50 °C, T_{max} +80 °C
Deviation in temperature:	Typically ±0.2 K at +25 °C
Medium:	Clean air and non-aggressive, non-combustible gases
Sensors:	active across the entire length (averaging)
Rod material:	protective tube made from copper, plastic-coated, with anti-kink spring and sleeve, stainless steel V4A (1.4571)
Rod dimensions:	Ø = 5.0 mm, nominal length (NL) = 0.4 m / 3 m / 6 m (nominal length optionally up to max. 20 m)
Rod laying:	Bending radius: > 35 mm Vibration load: ≤ 0.5 g Tensile load: < 480 N
Housing:	Plastic, UV-resistant, polyamide material, 30% glass-globe reinforced, with quick-locking screws (slotted / Phillips head combination), colour traffic white (similar to RAL 9016), housing cover for display is transparent!
Housing dimension:	126 x 90 x 50mm (Tyr 2)
Cable connection:	M8 plug-in connector , EtherCATP-encoded
Process connection:	Using plastic mounting flange (included in the delivery scope) and mounting clamps MK-05-M (optional accessory)
Ambient temperature:	Measuring transducer -30...+70 °C
Permitted humidity:	< 95% RH, non-precipitating air
Protection class:	III (according to EN 60 730)
Protection type:	IP 54 (according to EN 60 529) when built-in
Standards:	CE conformity, according to EMC Directive 2014 / 30 / EU, according to RED 2014 / 53 / EU
Equipment:	Display with illumination , 3-line, customised programming, cutout approx. W51 x H29mm, to display the actual temperature or a customised display value. Bar graph , 7-digit, LEDs freely configurable, to graphically display the reading.

ACCESSORIES See table

Display screen Reading **xx-ECATP Tyr 2**



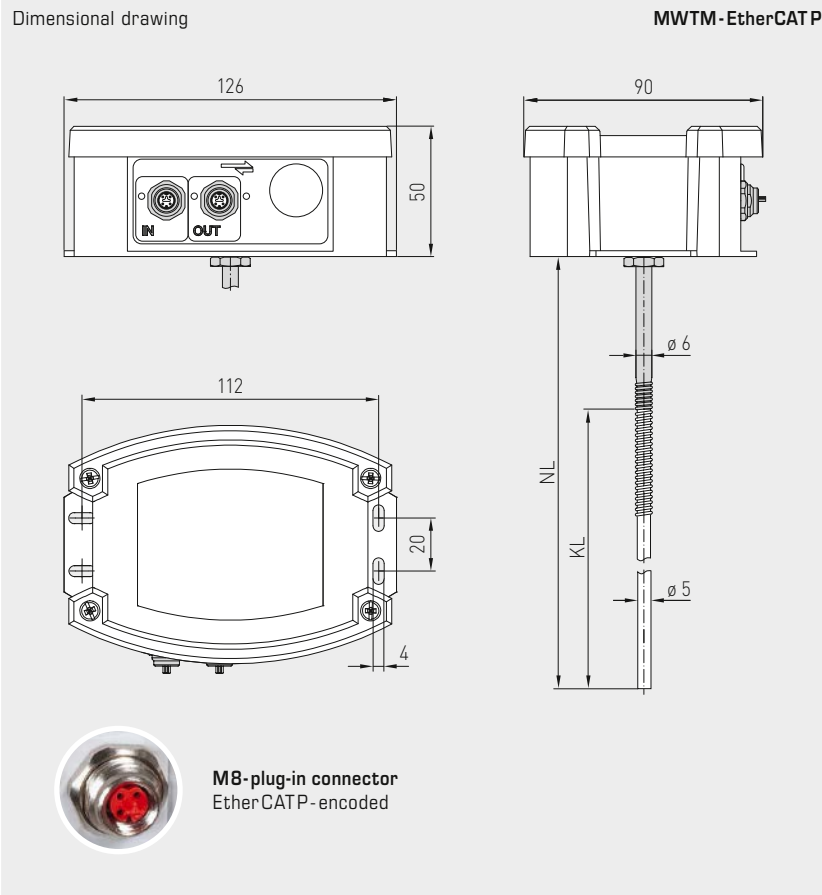
Temperature

Programmable display screen **xx-ECATP Tyr 2**

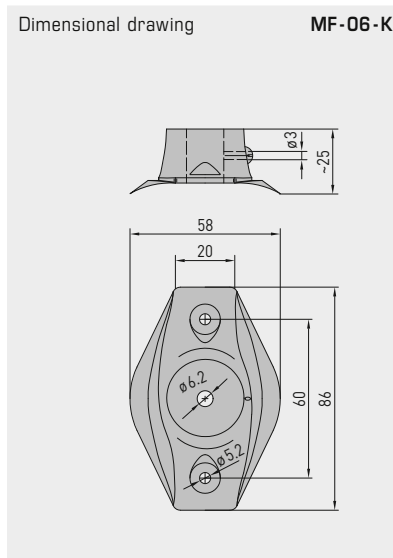
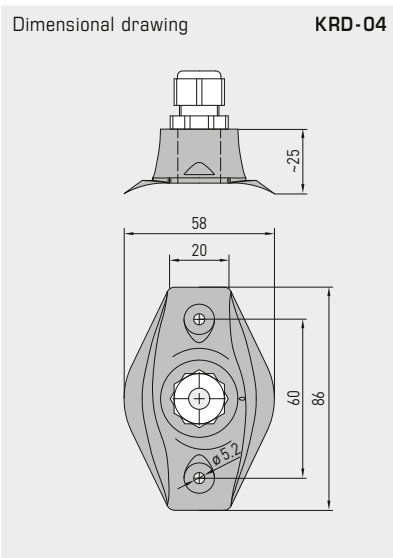




Mean value temperature measuring transducer, incl. mounting flange, Bluetooth-enabled, with EtherCAT port



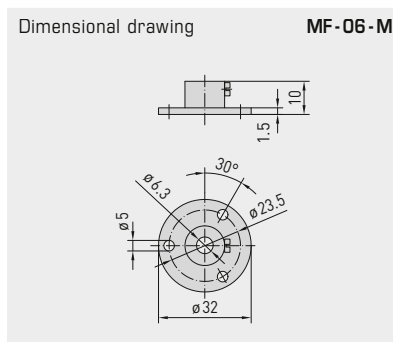
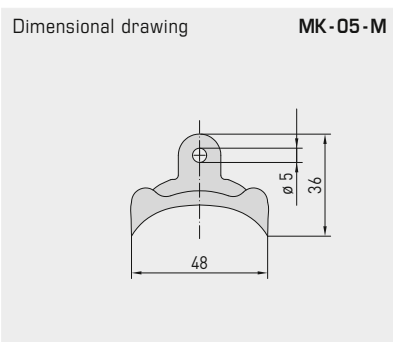
MWTM - EtherCATP
Rod length
3 m / 6 m



MF-06-K
Mounting flange,
plastic
(included in the
scope of delivery)



KRD-04
Capillary tube
gland bracket,
plastic
(optional)



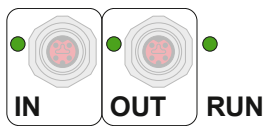
MF-06-M
Mounting flange,
metal
(optional)



MK-05-M
Galvanised steel
mounting clamps
(optional)



Mean value temperature measuring transducer,
incl. mounting flange, Bluetooth-enabled,
with EtherCAT P port



MWTM-EtherCAT P
with display and bar graph



EtherCAT P	LED status display
1. LED	"IN"
off	no connection to upstream EtherCAT module
illuminated	LINK: connection to upstream EtherCAT module
blinking	ACT: communication with upstream EtherCAT module
2. LED	"OUT"
off	no connection to downstream EtherCAT module
illuminated	LINK: connection to downstream EtherCAT module
blinking	ACT: communication with downstream EtherCAT module
3. LED	"RUN"
off	EtherCAT module is in "Init" state
quickly blinking	EtherCAT module is in "Pre-Operational" state
slowly blinking	EtherCAT module is in "Safe-Operational" state
illuminated	EtherCAT module is in "Operational" state
The status LEDs are next to the cable connection.	



S+S REGELTECHNIK

Mean value temperature measuring transducer,
incl. mounting flange, Bluetooth-enabled,
with EtherCAT port

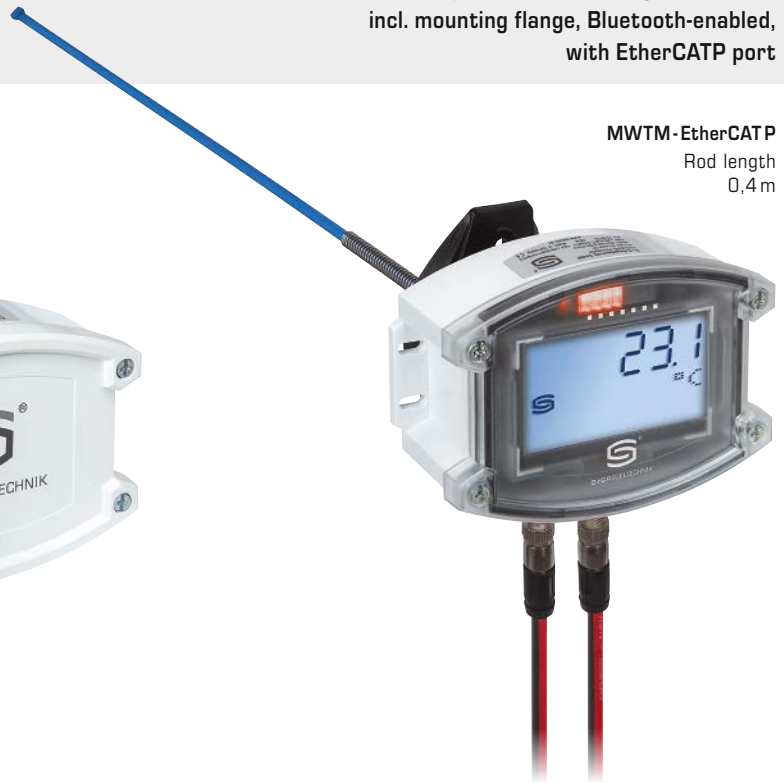
MWTM - EtherCAT P

Rod length
3 m / 6 m



MWTM - EtherCAT P

Rod length
0,4 m



THERMASGARD® MWTM - EtherCAT P Mean value temperature measuring transducer with EtherCAT port

Type / WG02	Measuring Range Temperature	Output	Rod length	Bar graph Display	Item No.	Price
MWTM-ECATP xx						
MWTM-ECATP 0,4m	-50...+150 °C	EtherCAT P	0,4 m		2001-4211-9100-001	396,29 €
MWTM-ECATP 0,4m LCD				<input type="checkbox"/> <input checked="" type="checkbox"/>	2001-4212-9100-001	443,94 €
MWTM-ECATP 3,0m	-50...+150 °C	EtherCAT P	3,0 m		2001-4211-9100-011	431,92 €
MWTM-ECATP 3,0m LCD				<input type="checkbox"/> <input checked="" type="checkbox"/>	2001-4212-9100-011	479,57 €
MWTM-ECATP 6,0m	-50...+150 °C	EtherCAT P	6,0 m		2001-4211-9100-021	476,45 €
MWTM-ECATP 6,0m LCD				<input type="checkbox"/> <input checked="" type="checkbox"/>	2001-4212-9100-021	524,09 €

Note: Cable connection with **M8 plug-in connector** (EtherCATP-encoded)

ACCESSORIES

MF-06-K	Mounting flange, plastic (included in the scope of delivery)	7100-0030-1000-000	6,30 €
MF-06-M	Mounting flange, metal, galvanised steel, Ø = 35 mm	7100-0030-5000-100	12,95 €
KRD-04	Capillary tube gland bracket, plastic	7100-0030-7000-000	9,18 €
MK-05-M	Galvanised steel mounting clamps (6 pieces)	7100-0034-0000-000	10,18 €

For further information, see last chapter Accessories!

**Sleeve sensor with temperature measuring transducer,
Bluetooth-enabled,
with EtherCATP port**

Networkable sleeve temperature measuring transducer **THERMASGARD® HFTM-EtherCATP** with M8 plug-in connector (EtherCATP-encoded), Bluetooth-enabled, in an impact-resistant plastic housing with quick-locking screws, optionally with /without display and bar graph, cable sensor with stainless steel sleeve.

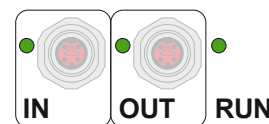
The sleeve sensor is used to detect the temperature in liquid and gaseous media. It is used as a duct sensor or, if installed in an immersion sleeve **THE** (accessory), as an immersion and screw-in sensor in liquids. The sensor is factory-calibrated.

EtherCATP-enabled measuring transducer for industrial requirements with maximum reliability: includes easy PLC integration using the device's ESI configuration file, diagnostics (such as communication failure counter), advanced settings options, access to historical data (min / max) and establishing the sensor's service interval. Optionally with large illuminated display (3-line, customised programming in the 7-segment and dot-matrix range) and bar graph (7-digit, LEDs freely configurable) for graphical display, e.g., as a traffic light indicator.

HFTM-EtherCATP



EtherCATP
Cable connection and LED status display



TECHNICAL DATA

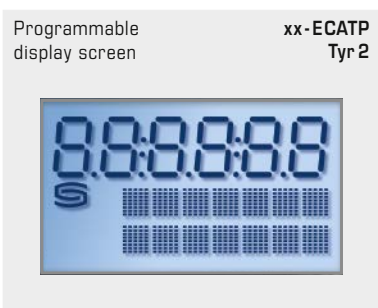
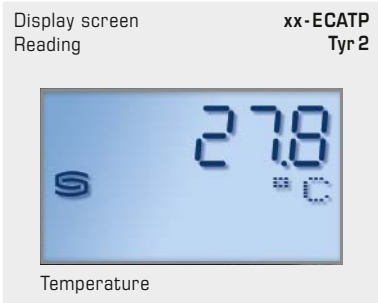
Power supply:	24 V DC via EtherCATP (U _S)
Power consumption:	< 3 W
Bus protocol:	EtherCAT
Radio technology:	Bluetooth (LE)
Sensor:	Pt1000, DIN EN 60751, class B (Perfect Sensor Protection at IP68)
Measuring range:	-50...+150 °C; T_{max} up to +150 °C
Deviation in temperature:	typically ± 0.2 K at +25 °C
Medium:	clean air and non-aggressive, non-combustible gases; liquids depending on selected immersion sleeve (accessory)
Sensor protection:	sensor sleeve made from stainless steel V4A (1.4571), Ø = 6 mm, nominal length (NL) = 50 mm (optional 30...400 mm)
Sensor cable:	Silicone, SiHF, 2 x 0,25 mm ² ; cable length (KL) = 1.5m (other lengths and jacket materials, e.g. PTFE or glass fibre with steel mesh, available on request)
Housing:	Plastic, UV-resistant, polyamide material, 30% glass-globe reinforced, with quick-locking screws (slotted / Phillips head combination), colour traffic white (similar to RAL 9016), housing cover for display is transparent!
Housing dimension:	126 x 90 x 50mm (Tyr 2)
Cable connection:	M8 plug-in connector , EtherCATP-encoded
Ambient temperature:	measuring transducer -30...+70 °C
Permitted humidity:	< 95% RH, non-precipitating air
Protection class:	III (according to EN 60 730)
Protection type housing:	IP 54 (according to EN 60 529)
Protection type sensor:	IP 65 (according to EN 60 529) sleeve humidity-tight (standard) IP 68 (according to EN 60 529) sleeve water-tight (optional) IP 54 (according to EN 60 529) with glass fibre cable (optional)
Standards:	CE conformity, according to EMC Directive 2014 / 30 / EU, according to RED 2014 / 53 / EU
Equipment:	Display with illumination , 3-line, customised programming, cutout approx. 51 x 29 mm, to display the actual temperature or a customised display value. Bar graph , 7-digit, LEDs freely configurable, to graphically display the reading.

ACCESSORIES see table

EtherCAT P LED status display

1. LED	"IN"
off	no connection to upstream EtherCAT module
illuminated	LINK: connection to upstream EtherCAT module
blinking	ACT: communication with upstream EtherCAT module
2. LED	"OUT"
off	no connection to downstream EtherCAT module
illuminated	LINK: connection to downstream EtherCAT module
blinking	ACT: communication with downstream EtherCAT module
3. LED	"RUN"
off	EtherCAT module is in "Init" state
quickly blinking	EtherCAT module is in "Pre-Operational" state
slowly blinking	EtherCAT module is in "Safe-Operational" state
illuminated	EtherCAT module is in "Operational" state

The status LEDs are next to the cable connection.

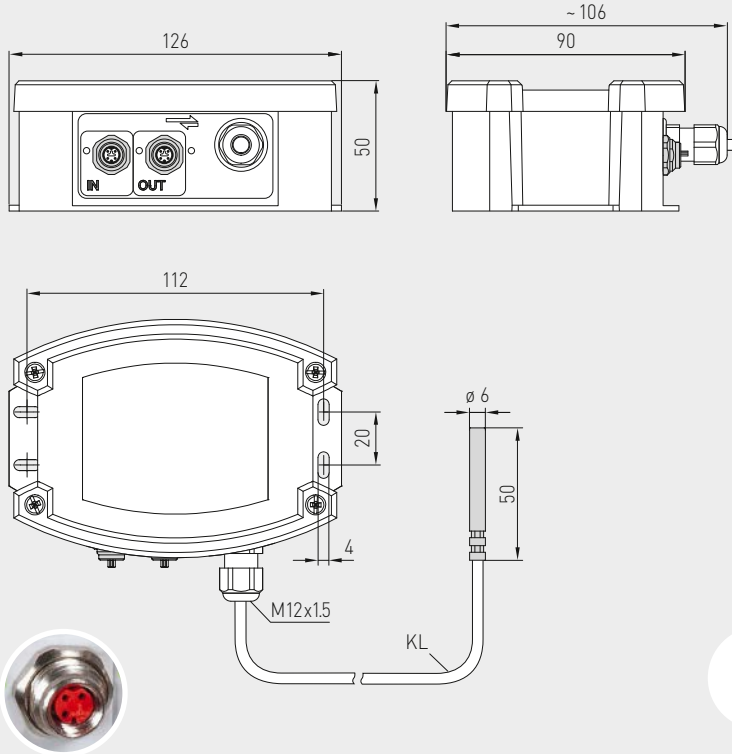




Sleeve sensor with temperature measuring transducer,
Bluetooth-enabled,
with EtherCATP port

Dimensional drawing

HFTM - EtherCAT P



M8-plug-in connector
EtherCATP-encoded



HFTM - EtherCAT P
with display and bar graph



IP65 (standard)
humidity-tight

IP68 (optional)
watertight
Perfect Sensor Protection

IP54 (optional)
with glass fibre cable

High-performance encapsulation against
vibration, mechanical stress and humidity



THERMASGARD®
HFTM - EtherCAT P

Sleeve sensors with temperature measuring transducer
with EtherCATP port

Type / WG02	Measuring Range Temperature	Sensor	Output	Bar graph Display	Item No.	Price
HFTM-ECATP xx						
HFTM-ECATP	-50...+150 °C	Pt1000	EtherCAT P		2001-2161-9100-001	365,14 €
HFTM-ECATP LCD	-50...+150 °C	Pt1000	EtherCAT P	☐ ■	2001-2162-9100-001	412,77 €
Note:	Cable connection with M8 plug-in connector (EtherCATP-encoded)					
Extra charge:	Protection type IP68 (sensor sleeve watertight compound-filled) per running metre of connecting lead (silicone/PTFE/glass fibre) other protection sleeve lengths (optional 30...400 mm)				on request on request	3,50 €

ACCESSORIES

THE-xx Immersion sleeve, stainless steel V4A (1.4571) or nickel-plated brass, Ø = 9 mm
Inner diameter of socket 5.2 mm, with **adjusting screw** M12 x1.5

For further information, see last chapter Accessories!

Surface-contact temperature measuring transducer / pipe surface-contact sensor, with detached sensor, incl. strap, Bluetooth-enabled, with EtherCATP port

Networkable surface-contact temperature measuring transducer (detached version) THERMASGARD® ALTM2 - EtherCATP with M8 plug-in connector (EtherCATP-encoded), Bluetooth-enabled, in an impact-resistant plastic housing with quick-locking screws, optionally with /without display and bar graph, cable sensor with pipe feeder, incl. strap.

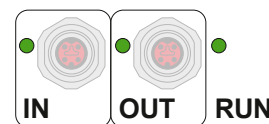
The pipe surface-contact sensor is used to detect the temperature on lines, pipes (e.g., cold and warm water) or on heating sections for heating control. The sensor is factory-calibrated.

EtherCATP-enabled measuring transducer for industrial requirements with maximum reliability: includes easy PLC integration using the device's ESI configuration file, diagnostics (such as communication failure counter), advanced settings options, access to historical data (min / max) and establishing the sensor's service interval. Optionally with large illuminated display (3-line, customised programming in the 7-segment and dot-matrix range) and bar graph (7-digit, LEDs freely configurable) for graphical display, e.g., as a traffic light indicator.

ALTM2-EtherCATP



EtherCATP
Cable connection and LED status display



TECHNICAL DATA

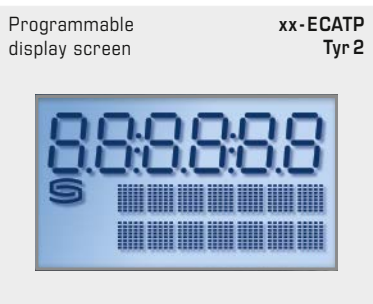
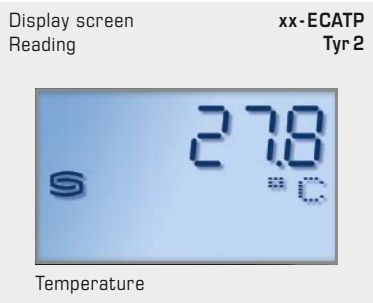
Power supply:	24 V DC via EtherCATP (U _S)
Power consumption:	< 3 W
Bus protocol:	EtherCAT
Radio technology:	Bluetooth (LE)
Sensor:	Pt1000, DIN EN 60751, class B (Perfect Sensor Protection at IP68)
Measuring range:	-50...+150 °C
Deviation in temperature:	typically ±0.2 K at +25 °C
Medium:	clean air and non-aggressive, non-combustible gases
Sensor protection:	pipe feeder made of stainless steel V4A (1.4571), Ø = 6 mm, L = 50 mm
Sensor cable:	silicone, SiHF, 2 x 0.25 mm ² ; cable length (KL) = 1.5 m (other lengths and jacket materials, e.g. PTFE or glass fibre with steel mesh, available on request)
Housing:	Plastic, UV-resistant, polyamide material, 30% glass-globe reinforced, with quick-locking screws (slotted / Phillips head combination), colour traffic white (similar to RAL 9016), housing cover for display is transparent!
Housing dimension:	126 x 90 x 50 mm (Tyr 2)
Cable connection:	M8 plug-in connector , EtherCATP-encoded
Process connection:	endless strap with metal tightener (included in delivery scope), Ø = 13-92 mm (¼ - 3"), L = 300 mm
Ambient temperature:	Measuring transducer -30...+70 °C
Permitted humidity:	< 95% RH, non-precipitating air
Protection class:	III (according to EN 60 730)
Protection type housing:	IP54 (according to EN 60 529)
Protection type sensor:	IP65 (according to EN 60 529) sleeve humidity-tight (standard) IP68 (according to EN 60 529) sleeve water-tight (optional)
Standards:	CE conformity, according to EMC Directive 2014 / 30 / EU, according to RED 2014 / 53 / EU
Equipment:	Display with illumination , 3-line, customised programming, cutout approx. W51 x H29mm, to display the actual temperature or a customised display value. Bar graph , 7-digit, LEDs freely configurable, to graphically display the reading.

ACCESSORIES see table

EtherCAT P LED status display

1. LED	"IN"
off	no connection to upstream EtherCAT module
illuminated	LINK: connection to upstream EtherCAT module
blinking	ACT: communication with upstream EtherCAT module
2. LED	"OUT"
off	no connection to downstream EtherCAT module
illuminated	LINK: connection to downstream EtherCAT module
blinking	ACT: communication with downstream EtherCAT module
3. LED	"RUN"
off	EtherCAT module is in "Init" state
quickly blinking	EtherCAT module is in "Pre-Operational" state
slowly blinking	EtherCAT module is in "Safe-Operational" state
illuminated	EtherCAT module is in "Operational" state

The status LEDs are next to the cable connection.





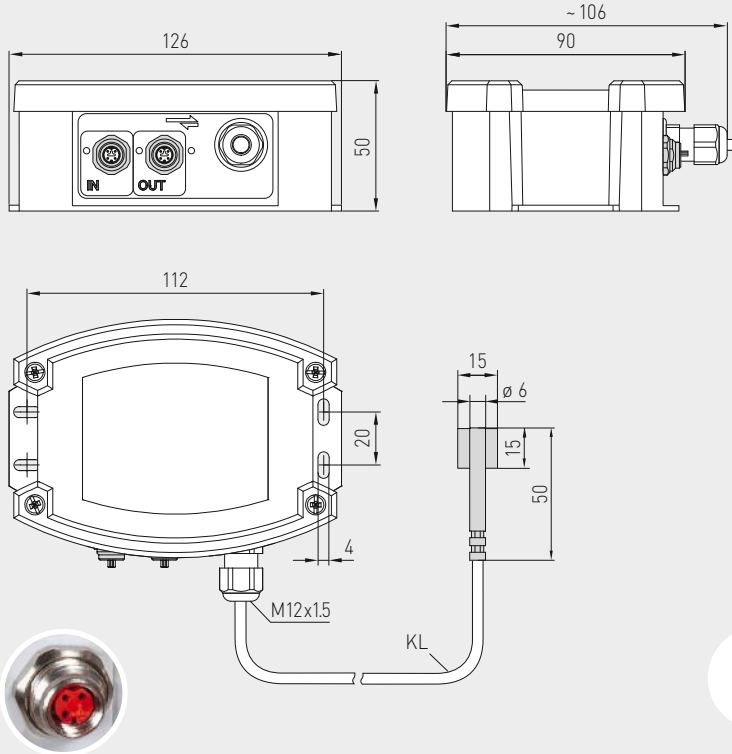
S+S REGELTECHNIK

Surface-contact temperature measuring transducer / pipe surface-contact sensor, with detached sensor, incl. strap, Bluetooth-enabled, with EtherCAT P port

Dimensional drawing

ALTM2-EtherCAT P

ALTM2-EtherCAT P with display and bar graph



M8-plug-in connector EtherCAT P-encoded



IP65 (standard) humidity-tight

IP68 (optional) watertight Perfect Sensor Protection

IP54 (optional) with glass fibre cable

High-performance encapsulation against vibration, mechanical stress and humidity



Thermasgard® ALTM2-EtherCAT P Surface-contact temperature measuring transducer with detached sensor, with EtherCAT P

Type / WG02	Measuring Range Temperature	Sensor	Output	Bar graph Display	Item No.	Price
ALTM2-ECATP xx						
ALTM2-ECATP	-50...+150 °C	Pt1000	EtherCAT P		2001-2171-9100-001	368,41 €
ALTM2-ECATP LCD	-50...+150 °C	Pt1000	EtherCAT P	☐ ■	2001-2172-9100-001	416,07 €
Note:	Cable connection with M8 plug-in connector (EtherCAT P-encoded)					
Extra charge:	Protection type IP68 (sensor sleeve watertight compound-filled) per running metre of connecting lead (silicone / PTFE / glass fibre)					3,50 € on request

ACCESSORIES						
WLP-1	Heat-conductive paste, silicone-free				7100-0060-1000-000	4,79 €

For further information, see last chapter Accessories!

**On-wall humidity and temperature sensor ($\pm 2.0\%$),
for mixture ratio, relative/absolute humidity, dew point, enthalpy
and temperature, Bluetooth-enabled, with EtherCATP port**

Networkable on-wall humidity and temperature sensor **HYGRASGARD® AFTF-EtherCATP** with M8 plug-in connector (EtherCATP-encoded), Bluetooth-enabled, in an impact-resistant plastic housing with quick-locking screws, optionally with /without display and bar graph, with plastic sinter filter (replaceable).

The sensor is used to detect various parameters in humidity measurement. It measures the **relative humidity** (0...100% RH) and the **temperature** (-35...+80°C) of the ambient air. These measurands are used internally to calculate further output values: **absolute humidity** (0...80g/m³), **mixture ratio** (0...80g/kg), **dew point temperature** (-20...+80°C) and **enthalpy** (0...85kJ/kg) while ignoring atmospheric air pressure. A long-term stable, digital sensor guarantees exact measurement results. The sensor is factory-calibrated.

EtherCATP-enabled measuring transducer for industrial requirements with maximum reliability: includes easy PLC integration using the device's ESI configuration file, diagnostics (such as communication failure counter), advanced settings options, access to historical data (min / max) and establishing the sensor's service interval. Optionally with large illuminated display (3-line, customised programming in the 7-segment and dot-matrix range) and bar graph (7-digit, LEDs freely configurable) for graphical display, e.g., as a traffic light indicator.

AFTF-EtherCATP



EtherCATP
Cable connection and
LED status display

TECHNICAL DATA

Power supply:	24VDC via EtherCATP (U _S)
Power consumption:	< 3W
Bus protocol:	EtherCAT
Radio technology:	Bluetooth (LE)
Data points:	Temperature [°C], relative humidity [% RH], dew point [°C], absolute humidity [g/m ³], mixture ratio [g/kg], enthalpy [kJ/kg]
Sensor:	Digital humidity sensor with integrated temperature sensor , low hysteresis, high long-term stability
Measuring range:	0...100% RH (humidity) -35...+80°C (temperature)
Deviation in humidity:	Typically $\pm 2.0\%$ (20...80% RH) at +25°C, otherwise $\pm 3.0\%$
Deviation in temperature:	Typically $\pm 0.4K$ at +25°C
Long-term stability:	$\pm 1\%$ per year
Medium:	Clean air and non-aggressive, non-combustible gases
Sensor protection:	Plastic sinter filter, \varnothing 14mm, l = 35 mm, replaceable (optionally metal sinter filter, \varnothing 16mm, l = 32mm)
Protective tube:	Stainless steel V2A (1.4301), \varnothing 16mm (see dimensional drawing)
Housing:	Plastic, UV-resistant, polyamide material, 30% glass-globe reinforced, with quick-locking screws (slotted / Phillips head combination), colour traffic white (similar to RAL 9016), housing cover for display is transparent!
Housing dimension:	126 x 90 x 50mm (Tyr 2)
Cable connection:	M8 plug-in connector , EtherCATP-encoded
Process connection:	Using screw-in device on housing
Ambient temperature:	-30...+70 °C
Permitted humidity:	< 95% RH, non-precipitating air
Protection class:	III (according to EN 60 730)
Protection type:	IP 54 (according to EN 60 529)
Standards:	CE conformity, according to EMC Directive 2014 / 30 / EU, according to RED 2014 / 53 / EU
Equipment:	Display with illumination , 3-line, customised programming, cutout approx. W 51 x H 29mm, to display actual humidity, actual temperature and/or an alternative characteristic value or a customised display value. Bar graph , 7-digit, LEDs freely configurable, to graphically display the reading.
ACCESSORIES	See table

Display screen Reading **xx-ECATP Tyr 2**



Humidity



Temperature

Programmable display screen **xx-ECATP Tyr 2**

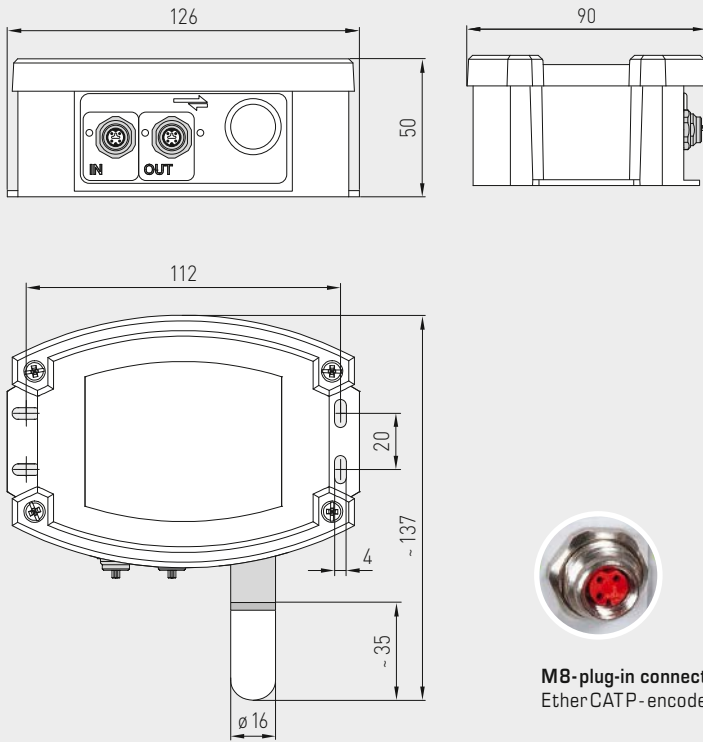




On-wall humidity and temperature sensor ($\pm 2.0\%$), for mixture ratio, relative/absolute humidity, dew point, enthalpy and temperature, Bluetooth-enabled, with EtherCAT port

Dimensional drawing

AFTF-EtherCAT P



M8-plug-in connector
Ether CATP - encoded



SF-K
Plastic sinter filter
(standard)

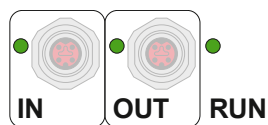


SF-M
Metal sinter filter
(optional)

AFTF-EtherCAT P
with display and bar graph



On-wall humidity and temperature sensor ($\pm 2.0\%$),
for mixture ratio, relative/absolute humidity, dew point, enthalpy
and temperature, Bluetooth-enabled, with EtherCAT port



WS-03
Weather and sun protection hood
(optional)



EtherCAT P	LED status display
1. LED	"IN"
off	no connection to upstream EtherCAT module
illuminated	LINK: connection to upstream EtherCAT module
blinking	ACT: communication with upstream EtherCAT module
2. LED	"OUT"
off	no connection to downstream EtherCAT module
illuminated	LINK: connection to downstream EtherCAT module
blinking	ACT: communication with downstream EtherCAT module
3. LED	"RUN"
off	EtherCAT module is in "Init" state
quickly blinking	EtherCAT module is in "Pre-Operational" state
slowly blinking	EtherCAT module is in "Safe-Operational" state
illuminated	EtherCAT module is in "Operational" state
The status LEDs are next to the cable connection.	

Display screen Reading **xx-ECATP Tyr 2**



Humidity



Temperature

Display screen alternative output variables **xx-ECATP Tyr 2**



Absolute humidity



Mixture ratio



Dew point



Enthalpy

Programmable display screen **xx-ECATP Tyr 2**



Use the EtherCAT interface to program the **LCD display**.
With only one output value selected, the display is static;
with several values selected, the display is cyclical with one after the other.
In the **first line** the value is displayed and in the **second line** the corresponding unit.
The **third line** is empty by default if there are no customised inputs.
The entire display in the 7-segment range as well as in the dot-matrix range can be **customised**.



On-wall humidity and temperature sensor ($\pm 2.0\%$),
for mixture ratio, relative/absolute humidity, dew point, enthalpy
and temperature, Bluetooth-enabled, with EtherCAT port

AFTF-EtherCAT P
with display and bar graph



HYGRASGARD® AFTF-EtherCAT P		On-wall humidity and temperature sensor ($\pm 2.0\%$), with EtherCAT port					
Type / WG02	Measuring Range / Readout	Humidity (switchable)	Temperature	Output	Bar graph Display	Item No.	Price
AFTF-ECATP xx							
AFTF-ECATP	0 ... 100% RH (default) 0 ... 80 g / kg (MV) 0 ... 80 g / m ³ (a.F.) 0 ... 85 kJ / kg (ENT.) -20 ... +80 °C (TP)		-35 ... +80 °C	EtherCAT P		2003-6261-9100-001	378,48 €
AFTF-ECATP LCD	0 ... 100% RH (default) 0 ... 80 g / kg (MV) 0 ... 80 g / m ³ (a.F.) 0 ... 85 kJ / kg (ENT.) -20 ... +80 °C (TP)		-35 ... +80 °C	EtherCAT P	<input type="checkbox"/> <input checked="" type="checkbox"/>	2003-6262-9100-001	426,13 €
Note:		Cable connection with M8 plug-in connector (EtherCATP-encoded)					

ACCESSORIES			
WS-03	Sun and ball-impact protection hood, 184x180x80 mm, stainless steel V2A (1.4301)	7100-0040-6000-000	46,08 €
SF-K	Plastic sinter filter, Ø 16 mm, L = 35 mm, exchangeable	7000-0050-2310-000	13,25 €
SF-M	Metal sinter filter, Ø 16 mm, L = 32 mm, exchangeable, stainless steel V4A (1.4404)	7000-0050-2200-100	43,60 €

For further information, see last chapter Accessories!

**Duct humidity and temperature sensor ($\pm 2.0\%$),
for mixture ratio, relative/absolute humidity, dew point, enthalpy
and temperature, Bluetooth-enabled, with EtherCATP port**

Networkable duct humidity and temperature sensor **HYGRASGARD® KFTF-EtherCATP** with M8 plug-in connector (EtherCATP-encoded), Bluetooth-enabled, in an impact-resistant plastic housing with quick-locking screws, optionally with /without display and bar graph, with plastic sinter filter (replaceable), incl. mounting flange.

The sensor is used to detect various parameters in humidity measurement. It measures the **relative humidity** (0...100% RH) and the **temperature** ($-35...+80^{\circ}\text{C}$) of the ambient air. These measurands are used internally to calculate further output values: **absolute humidity** (0...80g/m³), **mixture ratio** (0...80g/kg), **dew point temperature** ($-20...+80^{\circ}\text{C}$) and **enthalpy** (0...85kJ/kg) while ignoring atmospheric air pressure. A long-term stable, digital sensor guarantees exact measurement results. The sensor is factory-calibrated.

EtherCATP-enabled measuring transducer for industrial requirements with maximum reliability: includes easy PLC integration using the device's ESI configuration file, diagnostics (such as communication failure counter), advanced settings options, access to historical data (min / max) and establishing the sensor's service interval. Optionally with large illuminated display (3-line, customised programming in the 7-segment and dot-matrix range) and bar graph (7-digit, LEDs freely configurable) for graphical display, e.g., as a traffic light indicator.



KFTF-EtherCATP

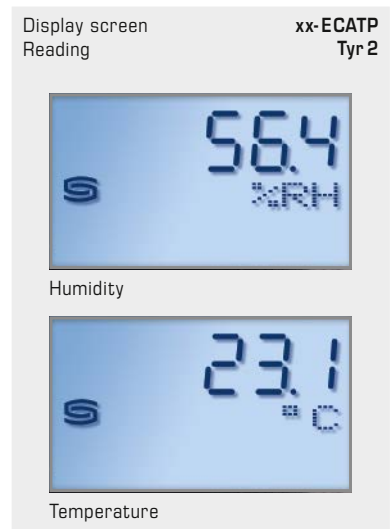
TECHNICAL DATA

Power supply:	24 V DC via EtherCATP (U _S)
Power consumption:	< 3 W
Bus protocol:	EtherCAT
Radio technology:	Bluetooth (LE)
Data points:	temperature [°C], relative humidity [% RH], dew point [°C], absolute humidity [g/m ³], mixture ratio [g/kg], enthalpy [kJ/kg]
Sensor:	Digital humidity sensor with integrated temperature sensor , low hysteresis, high long-term stability
Measuring range:	0...100 % RH (humidity) $-35...+80^{\circ}\text{C}$ (temperature)
Deviation in humidity:	typically $\pm 2.0\%$ (20...80 % RH) at $+25^{\circ}\text{C}$, otherwise $\pm 3.0\%$
Deviation in temperature:	typically $\pm 0.4\text{ K}$ at $+25^{\circ}\text{C}$
Long-term stability:	$\pm 1\%$ per year
Medium:	clean air and non-aggressive, non-combustible gases
Sensor protection:	plastic sinter filter, $\varnothing 14\text{mm}$, $l = 35\text{mm}$, replaceable (optionally metal sinter filter, $\varnothing 16\text{mm}$, $l = 32\text{mm}$)
Protective tube:	PLEUROFORM™ , material polyamide (PA6), with torsion protection, $\varnothing 20\text{mm}$, $NL = 235\text{mm}$ (optionally 100mm), $v_{\text{max}} = 30\text{ m/s}$ (air) (option on request in stainless steel V2A (1.4301), $\varnothing 16\text{mm}$)
Housing:	plastic, UV-resistant, polyamide material, 30 % glass-globe reinforced, with quick-locking screws (slotted / Phillips head combination), colour traffic white (similar to RAL 9016), housing cover for display is transparent!
Housing dimension:	126 x 90 x 50mm (Tyr2)
Cable connection:	M8 connector , EtherCATP-encoded
Process connection:	by plastic mounting flange (included in the delivery scope)
Ambient temperature:	$-30...+70^{\circ}\text{C}$
Permitted humidity:	< 95 % r. H., non-precipitating air
Protection class:	III (according to EN 60 730)
Protection type:	IP 54 (according to EN 60 529)
Standards:	CE conformity, according to EMC Directive 2014 / 30 / EU, according to RED 2014 / 53 / EU
Equipment:	Display with illumination , 3-line, customised programming, cutout approx. W 51 x H 29mm, to display actual humidity, actual temperature and/or an alternative characteristic value or a customised display value. Bar graph , 7-digit, LEDs freely configurable, to graphically display the reading.

ACCESSORIES see table



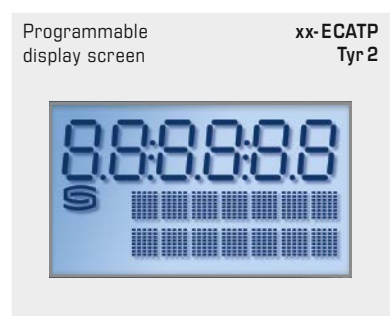
EtherCATP
Cable connection and
LED status display



Display screen Reading **xx-ECATP Tyr 2**

Humidity

Temperature



Programmable display screen **xx-ECATP Tyr 2**



Duct humidity and temperature sensor ($\pm 2.0\%$), for mixture ratio, relative/absolute humidity, dew point, enthalpy and temperature, Bluetooth-enabled, with EtherCAT port

Dimensional drawing (mm)

KFTF-EtherCAT P

KFTF-EtherCAT P
with display and bar graph

MB-plug-in connector
EtherCAT P-encoded

SF-K
Plastic sinter filter (standard)

SF-M
Metal sinter filter (optional)

Protective tube made from stainless steel
(optional on request)

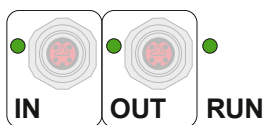
Dimensional drawing (mm)

MFT-20-K

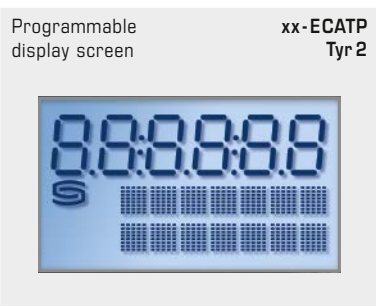
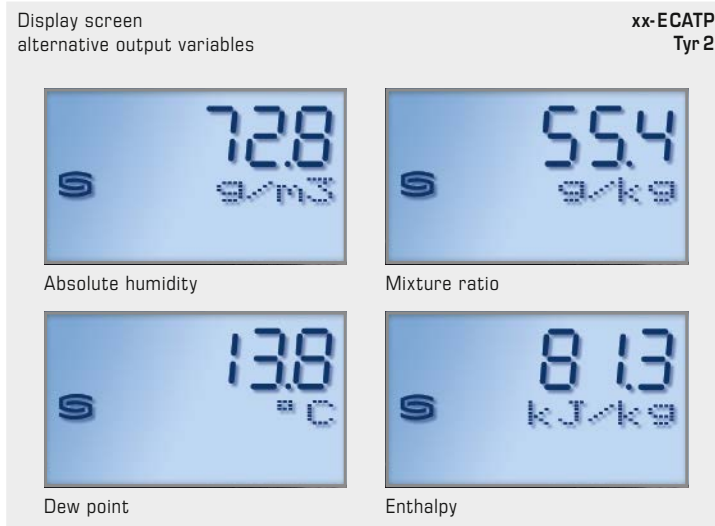
MFT-20-K
Mounting flange, plastic (included in the scope of delivery)



Duct humidity and temperature sensor ($\pm 2.0\%$),
for mixture ratio, relative/absolute humidity, dew point, enthalpy
and temperature, Bluetooth-enabled, with EtherCAT port



EtherCAT P	LED status display
1. LED	"IN"
off	no connection to upstream EtherCAT module
illuminated	LINK: connection to upstream EtherCAT module
blinking	ACT: communication with upstream EtherCAT module
2. LED	"OUT"
off	no connection to downstream EtherCAT module
illuminated	LINK: connection to downstream EtherCAT module
blinking	ACT: communication with downstream EtherCAT module
3. LED	"RUN"
off	EtherCAT module is in "Init" state
quickly blinking	EtherCAT module is in "Pre-Operational" state
slowly blinking	EtherCAT module is in "Safe-Operational" state
illuminated	EtherCAT module is in "Operational" state
The status LEDs are next to the cable connection.	



Use the EtherCAT interface to program the **LCD display**.
With only one output value selected, the display is static;
with several values selected, the display is cyclical with one after the other.

In the **first line** the value is displayed and in the **second line** the corresponding unit. The **third line** is empty by default if there are no customised inputs.

The entire display in the 7-segment range as well as in the dot-matrix range can be **customised**.



Duct humidity and temperature sensor (± 2.0%), for mixture ratio, relative/absolute humidity, dew point, enthalpy and temperature, Bluetooth-enabled, with EtherCAT port

KFTF-EtherCAT P with display and bar graph



HYGRASGARD® KFTF-EtherCAT P		Duct humidity and temperature sensor (± 2.0%), with EtherCAT port				
Type / WG02	Measuring Range / Readout Humidity (switchable)	Temperature	Output	Bar graph Display	Item No.	Price
KFTF-ECATP xx						
KFTF-ECATP	0 ... 100% RH (default) 0 ... 80 g / kg (MV) 0 ... 80 g / m ³ (a.F.) 0 ... 85 kJ / kg (ENT.) -20 ... +80 °C (TP)	-35 ... +80 °C	EtherCAT P		2003-4221-9100-001	400,76 €
KFTF-ECATP LCD	0 ... 100% RH (default) 0 ... 80 g / kg (MV) 0 ... 80 g / m ³ (a.F.) 0 ... 85 kJ / kg (ENT.) -20 ... +80 °C (TP)	-35 ... +80 °C	EtherCAT P	<input type="checkbox"/> <input checked="" type="checkbox"/>	2003-4222-9100-001	448,40 €
Optional:	shortened protective tube PLEUROFORM™ , NL = 100 mm				on request	
Note:	Cable connection with M8 plug-in connector (EtherCATP-encoded)					

ACCESSORIES			
MFT-20-K	Mounting flange , plastic (included in the scope of delivery)	7000-0031-0000-000	9,85 €
SF-K	Plastic sinter filter , Ø 16 mm, L = 35 mm, exchangeable	7000-0050-2310-000	13,25 €
SF-M	Metal sinter filter , Ø 16 mm, L = 32 mm, exchangeable, stainless steel V4A (1.4404)	7000-0050-2200-100	43,60 €

For further information, see last chapter Accessories!



**Pressure measuring transducer for differential pressure and volume flow,
incl. connection kit, Bluetooth-enabled,
with EtherCATP port**

Networkable pressure measuring transducer **PREMASGARD® 612x-EtherCATP** (series) with M8 plug-in connector (EtherCATP-encoded), Bluetooth-enabled, in an impact-resistant plastic housing with quick-locking screws, optionally with /without display and bar graph, nozzles for pressure hose (Ø 6mm), incl. connection kit **ASD-06** (2m connecting hose, two pressure port nipples, screws).

The on-wall sensor is used to measure positive, negative or differential pressure in clean air and gaseous media as well to calculate volume flows using the K-factor with function selection. The piezoresistive measuring element is temperature-compensated and guarantees a high degree of reliability and accuracy. The sensor is factory-calibrated.

It is used in the clean room, medical and filter technology, ventilation and air conditioning ducts, spray booths, large-scale catering facilities, for filter monitoring and level measurement or for triggering frequency converters. In case of direct solar irradiation, we recommend using our weather and sun protection hood **WS03** (accessory).

EtherCATP-enabled measuring transducer for industrial requirements with maximum reliability: includes easy PLC integration using the device's ESI configuration file, diagnostics (such as communication failure counter), advanced settings options, access to historical data (min / max) and establishing the sensor's service interval. Optionally with large illuminated display (3-line, customised programming in the 7-segment and dot-matrix range) and bar graph (7-digit, LEDs freely configurable) for graphical display, e.g., as a traffic light indicator.

PREMASGARD® 612x-ECATP



EtherCATP
Cable connection and LED status display

TECHNICAL DATA

Power supply:	24VDC via EtherCATP (U _S)
Power consumption:	< 3W
Bus protocol:	EtherCAT
Radio technology:	Bluetooth (LE)
Type of pressure:	Differential pressure [Pa], volume flow [m ³ /h]
Pressure port:	With nozzles for pressure hose Ø 6mm
Measuring range, pressure:	-500... +500 Pa or -7000...+7000 Pa depending on the device type, see table
Pressure accuracy:	Type 6128 (500 Pa): typically ± 3 Pa at +25°C type 6127 (7000 Pa): typically ± 35 Pa at +25°C compared to the calibrated reference device
Positive / negative pressure:	max. ± 50 kPa
Medium:	Clean air and non-aggressive, non-combustible gases
Parts in contact with media:	Brass, Ni, Duroplast, Si, epoxy, RTV, BSG, UV silicone gel
Media temperature:	-20...+50°C (temperature-compensated 0...+50°C)
Hysteresis:	0.3% of final value
Linearity:	< ± 1% of final value
Temp. drift values:	± 0.1% / °C
Long-term stability:	± 1% per year
Housing:	Plastic, UV-resistant, polyamide material, 30% glass-globe reinforced, with quick-locking screws (slotted / Phillips head combination), colour traffic white (similar to RAL 9016), enclosure cover for display is transparent!
Housing dimension:	126 x 90 x 50mm (Tyr 2)
Cable connection:	M8 plug-in connector , EtherCATP-encoded
Permitted humidity:	< 95% RH, non-precipitating air
Protection class:	III (according to EN 60 730)
Protection type:	IP 54 (according to EN 60 529) when built-in
Standards:	CE conformity, according to EMC Directive 2014 / 30 / EU, according to RED 2014 / 53 / EU
Equipment:	Display with illumination , 3-line, customised programming, cutout approx. W51 x H29mm, to display the actual pressure or a customised display value. Bar graph , 7-digit, LEDs freely configurable, to graphically display the reading.

ACCESSORIES See table

Display screen Reading **xx-ECATP Tyr 2**



Differential pressure



Volume flow rate

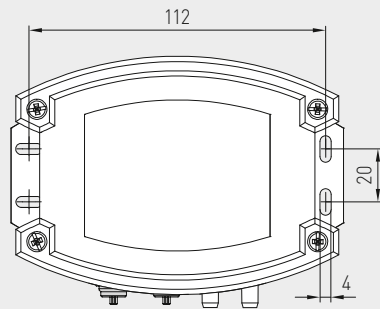
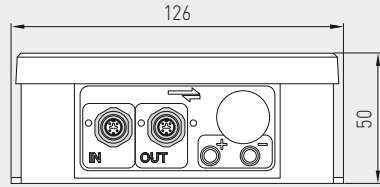
Programmable display screen **xx-ECATP Tyr 2**



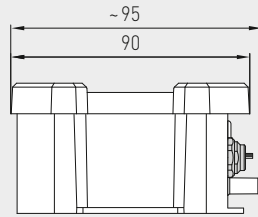


Pressure measuring transducer for differential pressure and volume flow, incl. connection kit, Bluetooth-enabled, with EtherCATP port

Dimensional drawing



PREMASGARD® 612x-ECATP



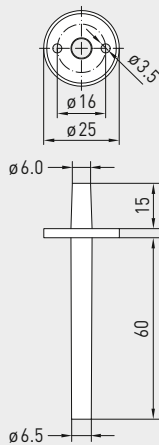
M8-plug-in connector
EtherCATP - encoded

PREMASGARD® 612x-ECATP
with display and bar graph



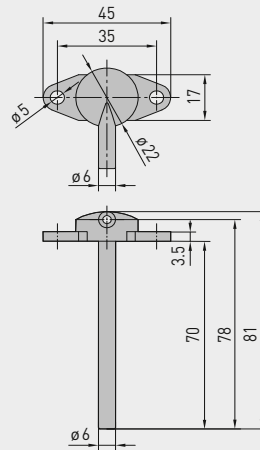
Dimensional drawing

ASD-06
Connection set



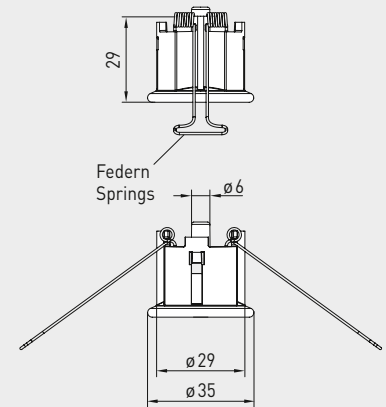
Dimensional drawing

ASD-07
Connection nipple



Dimensional drawing

DAL-01
Pressure outlet



ASD-06
Connection set



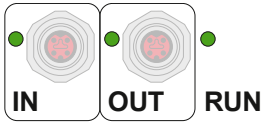
ASD-07
Connection nipple



DAL-01
Pressure outlet



Pressure measuring transducer for differential pressure and volume flow,
incl. connection kit, Bluetooth-enabled,
with EtherCATP port



WS-03

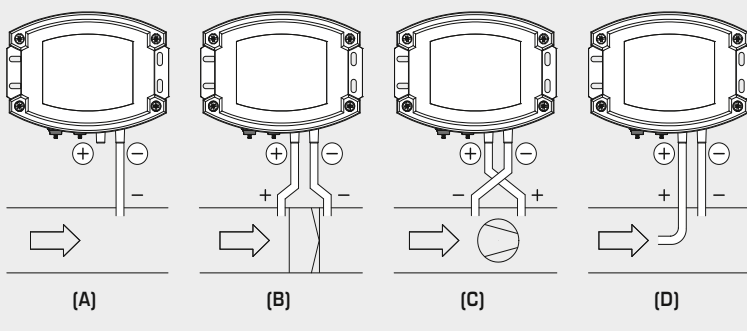
Weather and sun protection hood,
(optional)



EtherCAT P	LED status display
1. LED	"IN"
off	no connection to upstream EtherCAT module
illuminated	LINK: connection to upstream EtherCAT module
blinking	ACT: communication with upstream EtherCAT module
2. LED	"OUT"
off	no connection to downstream EtherCAT module
illuminated	LINK: connection to downstream EtherCAT module
blinking	ACT: communication with downstream EtherCAT module
3. LED	"RUN"
off	EtherCAT module is in "Init" state
quickly blinking	EtherCAT module is in "Pre-Operational" state
slowly blinking	EtherCAT module is in "Safe-Operational" state
illuminated	EtherCAT module is in "Operational" state
The status LEDs are next to the cable connection.	

Mounting diagram

PREMASGARD® 612x-ECATP



TYPES OF MONITORING:

The pressure connections are on the housing with P1 (+) for higher pressure and P2 (-) for lower pressure.

- (A) Below-atmospheric pressure**
P1 (+) is not connected, but open to the atmosphere
P2 (-) connected to inside of duct
- (B) Filter**
P1 (+) connected upstream of filter
P2 (-) connected downstream of filter
- (C) Ventilator**
P1 (+) connected downstream of ventilator
P2 (-) connected upstream of ventilator
- (D) Volume flow**
P1 (+) dynamic pressure, connected in flow direction
P2 (-) static pressure, connected free of dynamic pressure components

Conversion table for pressure values:

Unit =	bar	mbar	Pa	kPa	mWS
1 Pa	0,00001 bar	0,01 mbar	1 Pa	0,001 kPa	0,000101971 mWS
1 kPa	0,01 bar	10 mbar	1000 Pa	1 kPa	0,101971 mWS
1 bar	1 bar	1000 mbar	100000 Pa	100 kPa	10,1971 mWS
1 mbar	0,001 bar	1 mbar	100 Pa	0,1 kPa	0,0101971 mWS
1 mWS	0,0980665 bar	98,0665 mbar	9806,65 Pa	9,80665 kPa	1 mWS



Pressure measuring transducer for differential pressure and volume flow, incl. connection kit, Bluetooth-enabled, with EtherCAT port

PREMASGARD® 612x-ECATP with display and bar graph



PREMASGARD® 612x-EtherCAT P		Pressure measuring transducer for differential pressure and volume flow, with EtherCAT port			
Type / WG02	Measuring Range / Readout Pressure	Output	Bar graph Display	Item No.	Price
Type 6128		- 500...+ 500 Pa			
PREMASGARD 6128-ECATP	-500...+ 500 Pa	EtherCAT P		2004-6271-9100-011	374,03 €
PREMASGARD 6128-ECATP LCD	-500...+ 500 Pa	EtherCAT P	<input type="checkbox"/> <input checked="" type="checkbox"/>	2004-6272-9100-011	421,68 €
Type 6127		- 7000...+ 7000 Pa			
PREMASGARD 6127-ECATP	-7000...+ 7000 Pa	EtherCAT P		2004-6271-9100-001	374,03 €
PREMASGARD 6127-ECATP LCD	-7000...+ 7000 Pa	EtherCAT P	<input type="checkbox"/> <input checked="" type="checkbox"/>	2004-6272-9100-001	421,68 €
Note:	Cable connection with M8 plug-in connector (EtherCATP-encoded)				

ACCESSORIES			
ASD-06	Connection set (included in the scope of delivery) , consisting of 2 connection nipples (straight) made of ABS, 2 m PVC hose (soft, UV-resistant) and 4 screws	7100-0060-3000-000	7,87 €
ASD-07	2 connection nipples (at 90° angle) made of ABS	7100-0060-7000-000	7,87 €
DAL-01	Pressure outlet for ceiling or in-wall installation (e.g. in clean rooms)	7300-0060-3000-001	36,84 €
WS-03	Weather and sun protection hood , 200 x 180 x 150 mm, stainless steel V2A (1.4301)	7100-0040-6000-000	46,08 €

For further information, see last chapter Accessories!



Save Energy with Interconnectivity

Against the background of rapidly increasing energy costs, the centralised measurement, monitoring, and control of power consumption in buildings is also becoming increasingly important.

The interconnection of our bus capable measuring transducers for temperature, humidity, pressure as well as VOC, CO₂, particulate matter and air flow leads to comprehensive energy efficiency and thus saves money.

Application Areas

- Building automation in industry and commerce
- Central energy management in public and private facilities, such as hospitals, administrative centres, schools and museums
- Detection and control of temperature, humidity, pressure, air quality and flow in areas which are difficult to access or remote





THERMASGARD®, HYGRASGARD®, PREMASGARD®, AERASGARD® - MODBUS CAPABLE MEASUREMENT TRANSDUCERS

CO₂

Room control units, Room sensors Room controller with touch screen / touch keys

RYMASKON® 1000	Room control units (interface)	NEW 075
RYMASKON® 1000C	Room controller	NEW 081
RYMASKON® 2000	Room control units (interface)	NEW 087
RYMASKON® 2000C	Room controller	NEW 091
RYMASKON® 3000	Room control units (interface)	NEW 087
RFTF-Modbus-xx	Room control units, on-wall	093
RTM 1-Modbus	Room sensor, on-wall	095
RFTM-CO2-Modbus-P	Room control units, on-wall	155
FSFTM-Modbus	Room sensor /	
FSFTM-Modbus-P	Room control units, in-wall	119
FSFTM-CO2-Modbus	Room sensor /	
FSFTM-CO2-Modbus-P	Room control units, in-wall	157

Temperature sensors

RTM 1-Modbus	Room temperature sensor	095
RPTM 1-Modbus-T3	Pendulum room temperature sensor	113
RPTM 2-Modbus-T3	Pendulum room temperature sensor	115
HFTM-Modbus-T3	Sleeve sensor with cable	107
ALTM 1-Modbus-T3	Surface-contact temperature sensor	109
ALTM 2-Modbus-T3	Surface-contact temperature sensor with cable	111
ATM 2-Modbus-T3	Outside temperature sensor	097
TM 65-Modbus-T3	Duct / immersion / screw-in sensor	101
MWTM-Modbus-T3	Mean value temperature sensor	105

Special accessories

MODKON® LA-Modbus	Line termination device	173
MODKON® KA2-Modbus	Communication adapter	175
KYMASGARD® GW-xx	W-Modbus gateway	NEW 177
see chapter Accessories		638

Humidity sensors

FSFTM-Modbus	In-wall humidity and temperature sensor	119
RFTF-Modbus	Room humidity and temperature sensor	117
RPFTF-Modbus-T3	Pendulum room humidity and temperature sensor	127
VFTF-Modbus-T3	Showcase humidity and temperature sensor	129
AFTF-Modbus-T3	On-wall humidity and temperature sensor	121
KFTF-Modbus-T3	Duct humidity and temperature sensor	125
TW-Modbus-T3	Dew point sensor	133

Pressure sensors

PREMASGARD® 232x-Modbus-T3	Pressure measuring transducer	137
PREMASGARD® 714x-Modbus	Pressure / volume flow measuring transducer	141
PREMASGARD® 724x-Modbus	Pressure / volume flow measuring transducer (2 channels)	147
PREMASGARD® 814x-Modbus	Duct humidity and temperature sensor with pressure measuring transducer	151

Air quality sensors

VOC / CO₂ / fine dust sensors (PM)

FSFTM-CO2-Modbus	In-wall sensor	157
RFTM-LQ-PS-CO2-Modbus	Room sensor	155
AFTM-LQ-CO2-Modbus	On-wall sensor	161
KFTM-LQ-CO2-Modbus	Duct sensor	165

Multifunctional sensors for humidity, temperature, air quality (VOC), fine dust (PM) and CO₂ content

Flow sensors

KLGF-Modbus	Duct air flow sensor	NEW 169
KLGFVT-Modbus	Duct sensor for air flow, volume flow and temperature	NEW 169
KHSSFV-Modbus	Duct top-hat rail sensor for airflow and volume flow	NEW 171

Modbus capable measuring transducers for multi-functional requirements

Broad Spectrum

Our Modbus-capable temperature, pressure, and humidity sensors are designed to be multifunctional. This reduces the diversity of types and expands their possible applications. Thanks to microprocessor technology, almost any measuring range can be represented, including custom specifications.

Optimum Precision

All devices are developed, manufactured and tested in accordance with the latest criteria. Each sensor is precisely readjustable using offset potentiometers. Take advantage of our experience, our development, manufacturing and product know-how and order these products directly from the manufacturer.

Technical Highlights

- Galvanic isolation of the RS485 Modbus interface
- Integrated selectable bus termination resistance
- Display with backlighting and freely configurable
- Offset adjustment with potentiometer
- Temperature resolution: 16 bit AD converter, 0.1 K resolution
- Measuring range: -50 to +150 °C
- Accuracy: typically $\pm 0.2K$ at +25 °C
- Power supply: 15...36V DC; 24V AC $\pm 20\%$
- All devices programmable and addressable even when not energized

Certified quality and tested safety



Development, production and sales are certified by TÜV Thüringen according to DIN EN ISO 9001:2015 (quality management) and ISO 14001:2015 (environmental management).



RoHS conforming materials



ESD compliant manufacturing



CE conformity



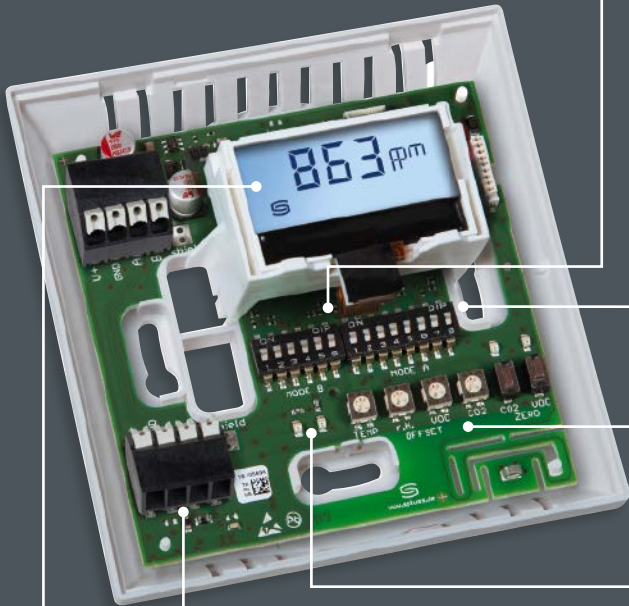
UKCA conformity (UK Conformity Assessed)



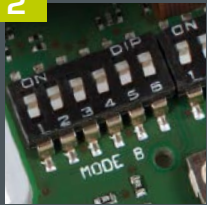
EAC certified



GOST certified



2



DIP Switches für Busparameter

Easy configuration of bus parameters: baud rate, parity, parity check and bus termination

3



DIP Switches for Bus Address

Up to 247 addresses possible, address can be configured even when the device is not energized

4



Offset Potentiometer

For fine adjustment (zero point offset) and readjustment upon recalibration

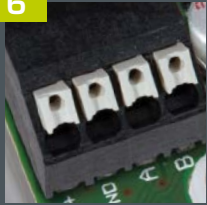
5



LED for Telegram Indication

(Green for Receive, Red for Error) Permits fast bus communication diagnosis

6



Bus Terminals

Push-in terminals (2x) for I/O

1



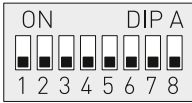
Illuminated Display

With backlighting as well as freely configurable 7/14 segment and 40-point matrix for display of individual measured values



S+S TECHNOLOGY FOR SMART BUILDINGS

Bus address (DIP A)
in binary format



DIP switch [A] for setting the bus address:

Bus address (binary coded, value selectable from 1 to 247)							
DIP 1	DIP 2	DIP 3	DIP 4	DIP 5	DIP 6	DIP 7	DIP 8
128	64	32	16	8	4	2	1
ON	ON	OFF	OFF	OFF	OFF	OFF	ON

Example shows
128 + 64 + 1 = 193
as Modbus address.

DIP switch

1	00000000	51	00000000	101	00000000	151	00000000	201	00000000
2	00000000	52	00000000	102	00000000	152	00000000	202	00000000
3	00000000	53	00000000	103	00000000	153	00000000	203	00000000
4	00000000	54	00000000	104	00000000	154	00000000	204	00000000
5	00000000	55	00000000	105	00000000	155	00000000	205	00000000
6	00000000	56	00000000	106	00000000	156	00000000	206	00000000
7	00000000	57	00000000	107	00000000	157	00000000	207	00000000
8	00000000	58	00000000	108	00000000	158	00000000	208	00000000
9	00000000	59	00000000	109	00000000	159	00000000	209	00000000
10	00000000	60	00000000	110	00000000	160	00000000	210	00000000
11	00000000	61	00000000	111	00000000	161	00000000	211	00000000
12	00000000	62	00000000	112	00000000	162	00000000	212	00000000
13	00000000	63	00000000	113	00000000	163	00000000	213	00000000
14	00000000	64	00000000	114	00000000	164	00000000	214	00000000
15	00000000	65	00000000	115	00000000	165	00000000	215	00000000
16	00000000	66	00000000	116	00000000	166	00000000	216	00000000
17	00000000	67	00000000	117	00000000	167	00000000	217	00000000
18	00000000	68	00000000	118	00000000	168	00000000	218	00000000
19	00000000	69	00000000	119	00000000	169	00000000	219	00000000
20	00000000	70	00000000	120	00000000	170	00000000	220	00000000
21	00000000	71	00000000	121	00000000	171	00000000	221	00000000
22	00000000	72	00000000	122	00000000	172	00000000	222	00000000
23	00000000	73	00000000	123	00000000	173	00000000	223	00000000
24	00000000	74	00000000	124	00000000	174	00000000	224	00000000
25	00000000	75	00000000	125	00000000	175	00000000	225	00000000
26	00000000	76	00000000	126	00000000	176	00000000	226	00000000
27	00000000	77	00000000	127	00000000	177	00000000	227	00000000
28	00000000	78	00000000	128	00000000	178	00000000	228	00000000
29	00000000	79	00000000	129	00000000	179	00000000	229	00000000
30	00000000	80	00000000	130	00000000	180	00000000	230	00000000
31	00000000	81	00000000	131	00000000	181	00000000	231	00000000
32	00000000	82	00000000	132	00000000	182	00000000	232	00000000
33	00000000	83	00000000	133	00000000	183	00000000	233	00000000
34	00000000	84	00000000	134	00000000	184	00000000	234	00000000
35	00000000	85	00000000	135	00000000	185	00000000	235	00000000
36	00000000	86	00000000	136	00000000	186	00000000	236	00000000
37	00000000	87	00000000	137	00000000	187	00000000	237	00000000
38	00000000	88	00000000	138	00000000	188	00000000	238	00000000
39	00000000	89	00000000	139	00000000	189	00000000	239	00000000
40	00000000	90	00000000	140	00000000	190	00000000	240	00000000
41	00000000	91	00000000	141	00000000	191	00000000	241	00000000
42	00000000	92	00000000	142	00000000	192	00000000	242	00000000
43	00000000	93	00000000	143	00000000	193	00000000	243	00000000
44	00000000	94	00000000	144	00000000	194	00000000	244	00000000
45	00000000	95	00000000	145	00000000	195	00000000	245	00000000
46	00000000	96	00000000	146	00000000	196	00000000	246	00000000
47	00000000	97	00000000	147	00000000	197	00000000	247	00000000
48	00000000	98	00000000	148	00000000	198	00000000		
49	00000000	99	00000000	149	00000000	199	00000000		
50	00000000	100	00000000	150	00000000	200	00000000		



DIP switch [B] for setting bus parameters:

Baud rate (selectable)	DIP 1	DIP 2	Parity (selectable)	DIP 3	Parity check (on/off)	DIP 4	8N1 mode (on/off)	DIP 5	Bus termination (on/off)	DIP 6
9600 baud	ON	OFF	EVEN (numbered)	ON	Active (1 stop bit)	ON	Active	ON	Active	ON
19200 baud	ON	ON	ODD (numbered)	OFF	Inactive (no parity) (2 stop bits)	OFF	Inactive (default)	OFF	Inactive	OFF
38400 baud	OFF	ON								
Reserved	OFF	OFF								

Configuration

BUS ADDRESS

The device address in the range of **1 to 247** is set at DIP switch [A].
For switch positions 1 to 8 see the table on the back!

Address 0 is reserved for broadcast messages. Addresses greater than 247 must not be assigned and are ignored by the device.
The DIP switches are binary-coded with the following values:

- DIP 1 = **128** DIP 1 = **ON**
- DIP 2 = **64** DIP 2 = **ON**
- DIP 3 = **32** DIP 3 = **OFF**
- DIP 4 = **16** DIP 4 = **OFF**
- DIP 5 = **8** DIP 5 = **OFF**
- DIP 6 = **4** DIP 6 = **OFF**
- DIP 7 = **2** DIP 7 = **OFF**
- DIP 8 = **1** DIP 8 = **ON**

The switch positions shown here result in the Modbus address **128 + 64 + 1 = 193**

BUS PARAMETERS

The baud rate (speed of transmission) is set at DIP switches 1 and 2 of DIP switch block [B].
Selectable are **9600 baud**, **19200 baud**, or **38400 baud** – see table!

Parity is set at DIP switch 3 of DIP switch block [B].
Selectable are **EVEN** or **ODD** – see table!

Parity check is activated via DIP switch 4 of DIP switch block [B].
Selectable are **active (1 stop bit)**, or **inactive (2 stop bits)**, i.e. no parity check – see table!

The **8N1 mode** is activated via DIP switch 5 of DIP switch block [B].
The functionality of DIP switch 3 (parity) and DIP switch 4 (parity check) of DIP switch block [B] is therefore deactivated.
Selectable are **8N1 active** or **inactive (default)** – see table!.

Bus termination is activated via DIP switch 6 of DIP switch block [B].
Selectable are **active** (bus termination resistance of 120 Ohm), or **inactive** (no bus termination) – see table!

When bus parameters and bus address are changed at devices with **display**,
the respective settings are shown on the display for approx. 30 seconds.

COMMUNICATION INDICATOR

Communication is indicated via two LEDs.
Error-free received telegrams are signaled by the green LED lighting up, regardless of the device address.
Faulty telegrams or triggered Modbus exception telegrams are depicted by the red LED lighting up.

DIAGNOSTICS

An error diagnostic function is integrated.

Display individually programmable
via Modbus interface

Display (Baldur)

Symbols and display examples



Alternative parameters

Display programmable via index



Display (Tyr 2)

Symbols and display examples



Individually programmable display area for two or three-line displays

Our displays can be controlled via the Modbus interface.
This means that messages such as those from the PLC can also be displayed.

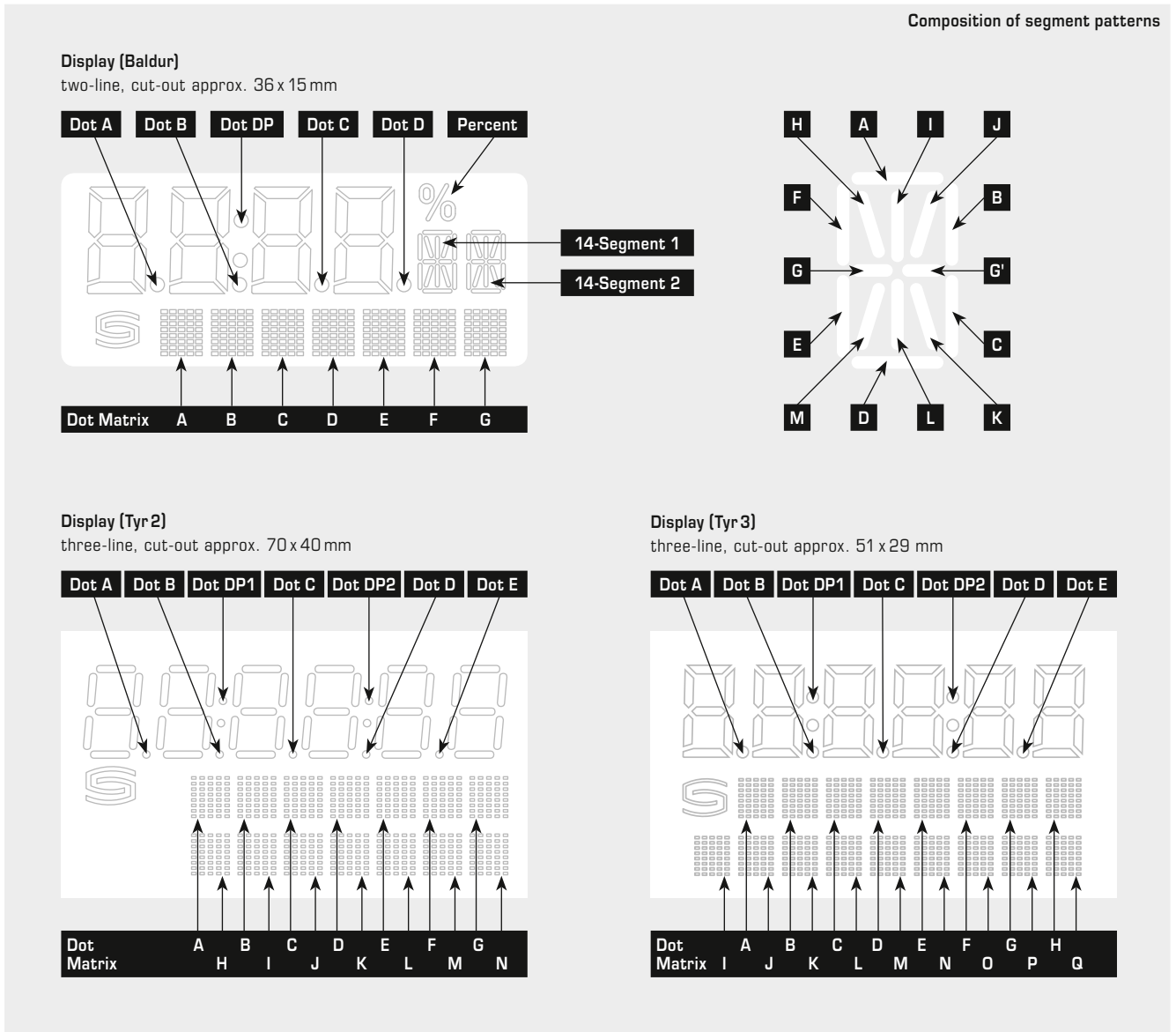
All characters in the display can be individually described both
in the 7-segment area, and in the dot matrix area.

Depending on the device type, it is also possible to display
alternative parameters such as absolute humidity, dew point, mixture ratio
or enthalpy instead of the standard display.

Display (Tyr 3)

Symbols and display examples



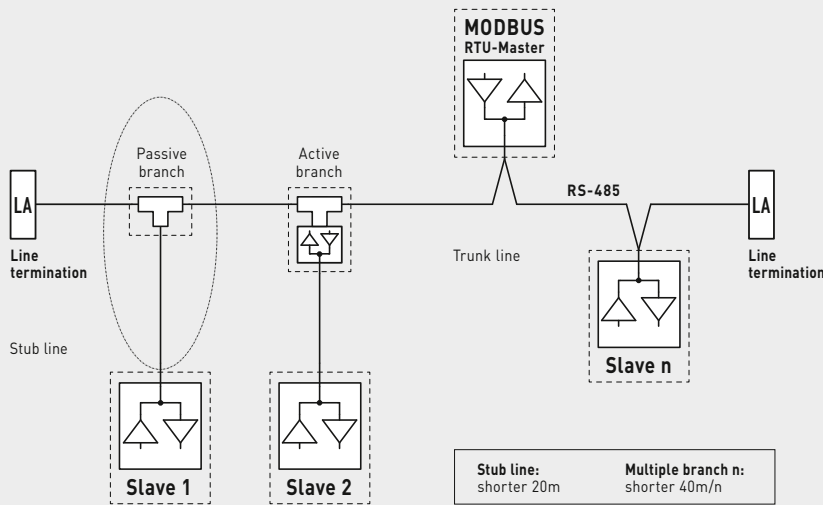


**Representable characters in the dot matrix display area
for two- and three-line displays**

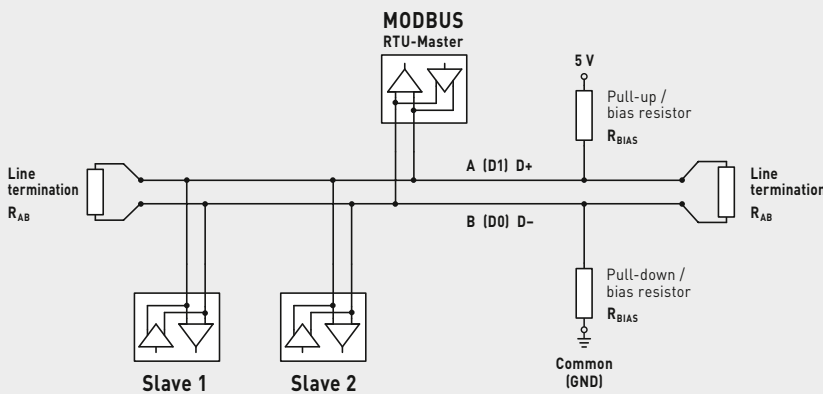
ASCII characters or control characters are displayed as spaces.

ASCII	Sign	ASCII	Sign	ASCII	Sign	ASCII	Sign	ASCII	Sign	ASCII	Sign	ASCII	Sign
32	Blank	48	0	63	?	78	N	94	^	109	m	124	
33	!	49	1	64	@	79	O	95	_	110	n	125	}
34	"	50	2	65	A	80	P	96	\	111	o	129	ü
35	#	51	3	66	B	81	Q	97	a	112	p	132	ä
36	\$	52	4	67	C	82	R	98	b	113	q	142	Ä
37	%	53	5	68	D	83	S	99	c	114	r	148	ö
38	&	54	6	69	E	84	T	100	d	115	s	153	Ö
40	[55	7	70	F	85	U	101	e	116	t	154	Ü
41]	56	8	71	G	86	V	102	f	117	u	223	°
42	*	57	9	72	H	87	W	103	g	118	v		
43	+	58	:	73	I	88	X	104	h	119	w		
44	,	59	;	74	J	89	Y	105	i	120	x		
45	-	60	<	75	K	90	Z	106	j	121	y		
46	.	61	=	76	L	91	[107	k	122	z		
47	/	62	>	77	M	93]	108	l	123	{		

General layout of bus structure



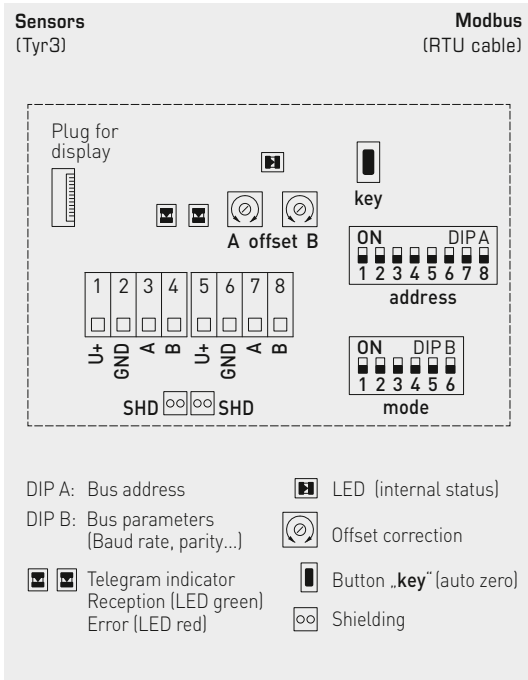
Bus topology with terminating and bias resistors



Terminating resistor may only be installed at the ends of the bus line.
 In networks with repeaters not more than two line terminations are allowed.
 Line termination at the device can be activated via DIP switch 6.
 The bias resistors for bus level definition in the resting state are usually activated at the Modbus master / repeater.

The maximum number of subscribers per Modbus segment is 32 devices.
 When the number of subscribers is greater, the bus must be subdivided into several segments separated by repeaters. The subscriber address can be set from 1 to 247.

For the bus line, a twisted-pair cable data line / power supply line and copper mesh wire shield must be used. Therefore, the line capacitance should be less than 100 pF/m (e.g. Profibus cable).

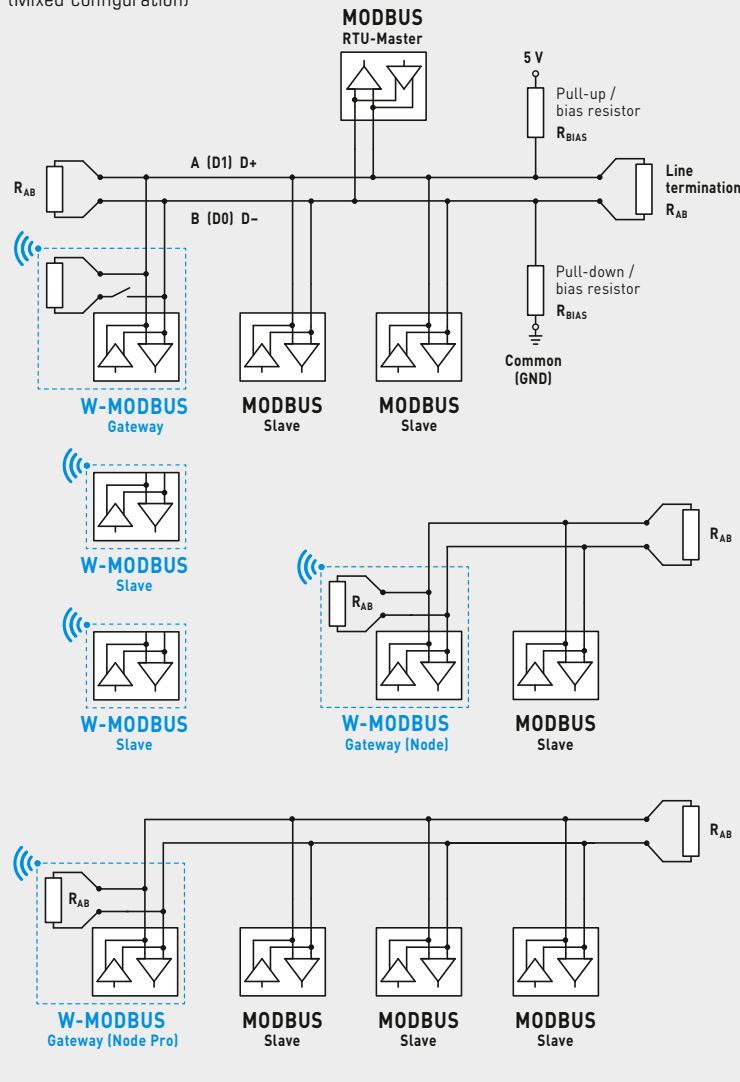


TECHNICAL DATA	
Power supply:	24 V AC (± 20 %); 15...36 V DC
Power consumption:	< 1 W / 24 V DC; < 1.6 VA / 24 V AC
Electrical connection:	see schematic diagram 0.2 - 1.5 mm ² , via push-in terminals
Bus parameters:	without power supply (in powerless mode) configurable and addressable via DIP switch!
Bus interface:	RS485, galvanically isolated , Bus termination activatable via DIP switches. Up to 32 devices possible in one segment. In case of a greater number of devices, RS485 transceivers must be used.
Bus protocol:	Modbus (RTU mode), address range 0... 247 selectable
Baud rate:	9600, 19200, 38400 Baud
Status indicator:	LED green = Telegram valid LED red = Telegram error
Display:	The Modbus interface allows the display to be individually configured both in the 7-segment area and in the dot-matrix area.



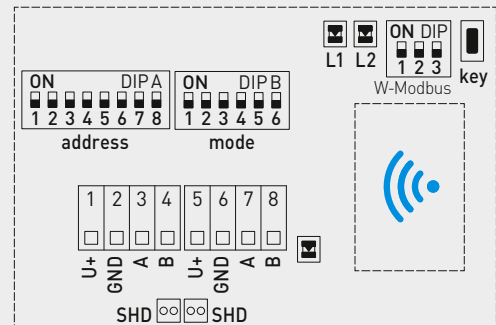
General bus topology structure
with terminating and bias resistors
(mixed configuration with W-Modbus gateway)

Bus topology with terminating
and bias resistors
(Mixed configuration)



Gateway
(Tyr3)

GW-wModbus
(Wireless)



- DIP A: Bus address
- DIP B: Bus parameters (Baud rate, parity...)
- SHD Shielding
- Teach-in key
- DIP W-Modbus: Operating mode (Gateway, Node...)
- Telegram indicator
- L1 Network Status
- L2 Connection quality

Various functions
of the W-Modbus gateway:

Gateway operation for connection to an existing Modbus topology or directly to a DDC, serves as a base station for W-Modbus sensors (max. 100 radio nodes).

Node operation enables the radio-based connection of a wired Modbus sensor to a W-Modbus network (max. 1 wired sensor).

Node Pro operation (extended node operation) serves for the radio-based connection of multiple wired Modbus sensors (max. 16 wired nodes).

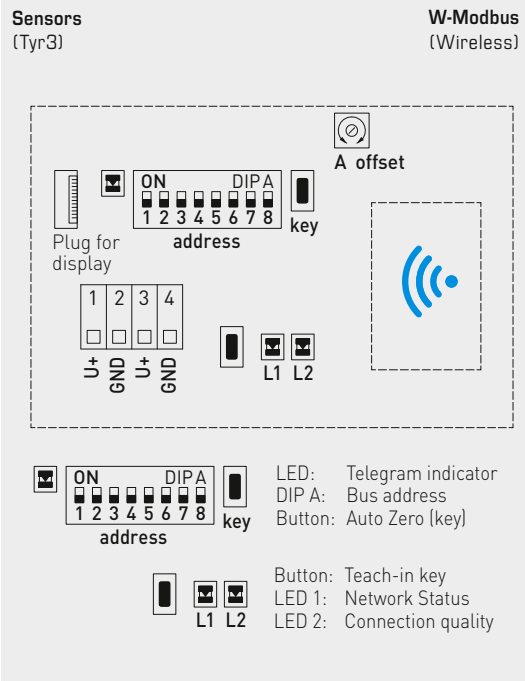
The **W-Modbus protocol** is based on the (2.4 GHz ISM radio band) and employs a patented frequency hopping technology to maximise reliability and resistance to interference. This means that reliable radio transmission can also be ensured in industrial environments.

In the **W-Modbus network** up to 100 nodes can communicate with each other over a long distance of up to 500 metres (open field) using one gateway. A standardised W-Modbus module ensures compatibility with all W-Modbus units.

The **W-Modbus sensors** only need to be supplied with power. Only the slave address is configured manually, the transmission parameters (baud rate and parity) are set automatically. No terminating resistor is required. The sensor is then paired with a gateway.

The **W-Modbus gateway** serves as a transition between wired Modbus and radio-based W-Modbus. Even mixed configurations of wired and radio-based Modbus units can be easily integrated into existing network topologies via the W-Modbus gateway.





TECHNICAL DATA	
Power supply:	24 VAC ($\pm 20\%$); 15...36 VDC
Power consumption:	< 2 W / 24 VDC; < 3.5 VA / 24 VAC
Electrical connection:	see schematic diagram 0.2 - 1.5 mm ² , via push-in terminal
Bus address:	without power supply (in powerless mode) configurable and addressable via DIP switch!
Bus parameters:	automatic configuration
Communication:	W-Modbus (Wireless Modbus)
Range:	max. 500 metres (open field) between two radio nodes
Nodes:	max. 100 radio nodes
Bus protocol:	Modbus (RTU mode), address range 0...247 selectable
Status indicator:	Telegram indication, network status, connection quality
Display:	The Modbus interface allows the display to be individually configured both in the 7-segment area and in the dot-matrix area.



Interface for control of temperature, fan, light and sun protection
Room control panel with colour TFT display,
with Modbus connection or W-Modbus (Wireless)

The room control units of the RYMASKON® 1000 / 2000 / 3000 series are designed for control (up to 5 climate zones) in residential, hotel and office rooms and individually regulate the heating, cooling and fan levels of the internal rooms. The controller variants can be operated as stand-alone units thanks to the integrated control functions PI, PWM or 2-/3-point control. The product family is characterised by its elegant design, intuitive operation and the many possible combinations of the individual components.

The RYMASKON® 1000 room control units (interface) are used for controlling temperature, fans, sun protection (Venetian blinds, shutters) or light. The room control units make the setpoints available to the BMS either via conventionally wired Modbus or via the wireless, radio-based W-Modbus. The optical display is a 2" TFT display (LEDs on request), operation is via capacitive touch keys.

In addition to the integrated temperature and humidity sensor, sensors for CO₂ and VOC are available as an option. An input for a passive temperature sensor (NTC10K) and an input for a potential-free contact are additionally available. This allows a window contact or a condensation control switch to be connected, for example. This provides all options for air-conditioning of the rooms according to individual requirements.

All unit types are optionally available in the contemporary housing Iduna 1 (93x83 mm) and Iduna 3 (111x89 mm) in white or black colour. Wall-mounting is performed on standard in-wall flush boxes (or on-wall in the Iduna housing 3, on request).

TECHNICAL DATA

Unit type:	Room control units (interface)
Functions:	Temperature, fan, sun protection and light (see type table)
System of units:	SI (default) or imperial (can be changed in the Modbus register)
Data points:	Temperature [°C] [°F], relative humidity [% RH], air quality (VOC) [µg] [ppb], carbon dioxide (CO ₂) [ppm], setpoint (temperature, fan, presence)
Power consumption:	typically < 3 W at 24 V DC; typically < 4.5 VA at 24 V AC
Voltage supply:	24 V AC/DC (± 10 %)
Communication:	Modbus RTU Slave, address range 1...247, RS 485 interface, max. 63 units, 9600 / 19200 / 38400 / 57500 Baud, 8N1, even / odd parity, 1 / 2 stop bits or W-Modbus (Wireless) Slave, address range 1...247, approx. 63 units, BMS connection is radio-based via W-Modbus gateway
Display:	TFT display, 2" (41 x 30 mm), 320 x 240 x 3 pixels (RGB), LED backlighting, viewing angle ± 85° or LEDs (on request)
Operating elements:	Capacitive keys (up to 10 keys, depending on type) for setting the target temperature, fan stages, presence message, sensor values, and for operating sun protection and light
Inputs:	1 NTC10K (configurable as a digital input) 1 digital input for potential-free switches
Outputs:	Modbus / W-Modbus or (on request) 5 analogue outputs (0-10 V) for target temperature, fan stages, presence message, sensor values, digital output
Electrical connection:	0.2- 1.5 mm ² , using push-in terminals
Housing:	Plastic, ABS material, colour white or black
Housing dimensions:	93 x 83 x 24 mm (Iduna 1) + 22 mm (in-wall) 111 x 89 x 24 mm (Iduna 3) + 22 mm (in-wall) (without in-wall on request)
Mounting:	Wall-mounting on in-wall flush box, Ø55 mm, (on-wall installation on request)
Ambient temperature:	0...+50°C (operation); -30...+70°C (storage)
Permitted humidity:	0...90 % RH (non-precipitating air)
Protection type:	IP 30 (according to EN 60529)
Standards:	CE conformity, 2014/30/EU EMC Directive (EN 60730-1/2, EN 61000-6-1/3), 2001/95/EG Product safety (EN 60730-1) Radio Directive ETSI 300 328 V2.2.2

Continued on next page!



NEW

Interface for control of temperature, fan, light and sun protection
 Room control panel with colour TFT display,
 with Modbus connection or W-Modbus (Wireless)

TECHNICAL DATA		(continuation)
TEMPERATURE (basic equipment)		
Sensor:	digital temperature sensor, low hysteresis, high long-term stability	
Measuring range:	0...+50 °C / +32...+122 °F	
Accuracy:	typically ± 0.5 K at +25 °C	
HUMIDITY (basic equipment)		
Sensor:	digital humidity sensor, low hysteresis, high long-term stability	
Measuring range:	0...100 % RH	
Accuracy:	typically ± 2.0 % (20...80 % RH) at +25 °C, otherwise ± 3.0 %	
CARBON DIOXIDE (CO2) (optional)		
Sensor:	digital photoacoustic NDIR-CO2 sensor (non-dispersive infra-red technology), with automatic calibration and high long-term stability	
Measuring range:	0...2000 ppm	
Accuracy:	typically ± 50 ppm, ± 3 % of the measured value at +25 °C	
AIR QUALITY (VOC) (optional)		
Sensor:	digital metal oxide (MOX) based VOC sensor	
Measuring range:	0...100 % (corresponds to 0...30 000 ppb ethanol equiv.)	
Accuracy:	< ± 15 %	
Service life:	> 10 years (if used as intended, depending on type and duration of VOC exposure)	

Standard design
 with display and touch keys
 e.g. type **1201-LB**



Optional design
 with LEDs and touch keys
 (on request)
 e.g. type **1201-LB-LED**



RYMASKON 1000-MOD Interface

<input type="checkbox"/>	01	<input type="checkbox"/>	18
<input type="checkbox"/>	02	<input type="checkbox"/>	17
<input type="checkbox"/>	03	<input type="checkbox"/>	16
<input type="checkbox"/>	04	<input type="checkbox"/>	15
<input type="checkbox"/>	05	<input type="checkbox"/>	14
<input type="checkbox"/>	06	<input type="checkbox"/>	13
<input type="checkbox"/>	07	<input type="checkbox"/>	12
<input type="checkbox"/>	08	<input type="checkbox"/>	11
<input type="checkbox"/>	09	<input type="checkbox"/>	
<input type="checkbox"/>	10	<input type="checkbox"/>	

- 01 free
- 02 free
- 03 free
- 04 free
- 05 free
- 06 free
- 07 free
- 08 free
- 09 GND (DI2)
- 10 DI2
- 11 UB+ 24V AC/DC
- 12 UB- GND AC/DC
- 13 NTC10K (DI1, potential-free)
- 14 GND (NTC10K/DI1)
- 15 Modbus A
- 16 Modbus B
- 17 Modbus A
- 18 Modbus B

RYMASKON 1000-WMOD Interface

<input type="checkbox"/>	01	<input type="checkbox"/>	18
<input type="checkbox"/>	02	<input type="checkbox"/>	17
<input type="checkbox"/>	03	<input type="checkbox"/>	16
<input type="checkbox"/>	04	<input type="checkbox"/>	15
<input type="checkbox"/>	05	<input type="checkbox"/>	14
<input type="checkbox"/>	06	<input type="checkbox"/>	13
<input type="checkbox"/>	07	<input type="checkbox"/>	12
<input type="checkbox"/>	08	<input type="checkbox"/>	11
<input type="checkbox"/>	09	<input type="checkbox"/>	
<input type="checkbox"/>	10	<input type="checkbox"/>	

- 01 free
- 02 free
- 03 free
- 04 free
- 05 free
- 06 free
- 07 free
- 08 free
- 09 GND (DI2)
- 10 DI2
- 11 UB+ 24V AC/DC
- 12 UB- GND AC/DC
- 13 NTC10K (DI1, potential-free)
- 14 GND (NTC10K/DI1)
- 15 free
- 16 free
- 17 free
- 18 free

Display symbols



Interface for control of temperature, fan, light and sun protection
 Room control panel with colour TFT display,
 with Modbus connection or W-Modbus (Wireless)

S+S REGELTECHNIK

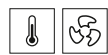
Basic models
 (see type table)
Iduna 1



Type 1101



Type 1102



Type 1201



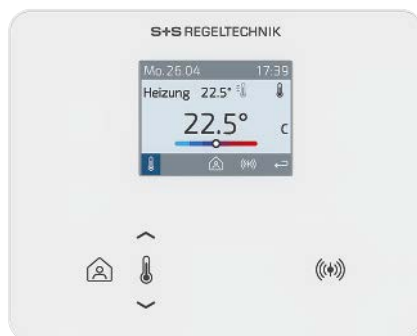
Type 1202



Basic models
 (see type table)
Iduna 3



Type 1301



Type 1302



Type 1401



Type 1402





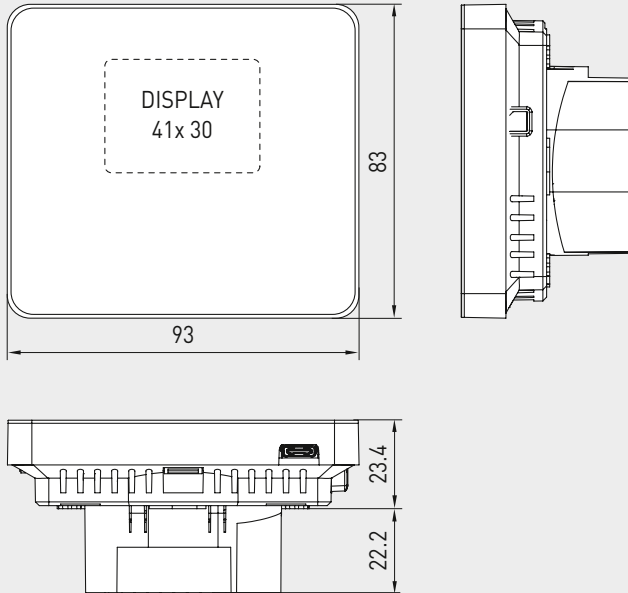
NEW

S+S REGELTECHNIK

Interface for control of temperature, fan, light and sun protection
Room control panel with colour TFT display,
with Modbus connection or W-Modbus (Wireless)

Dimensional drawing **Iduna 1**
[mm]

RYMASKON® 11xx
RYMASKON® 12xx



Optional designs
with 2 keys – sun protection
Type 1201-BB

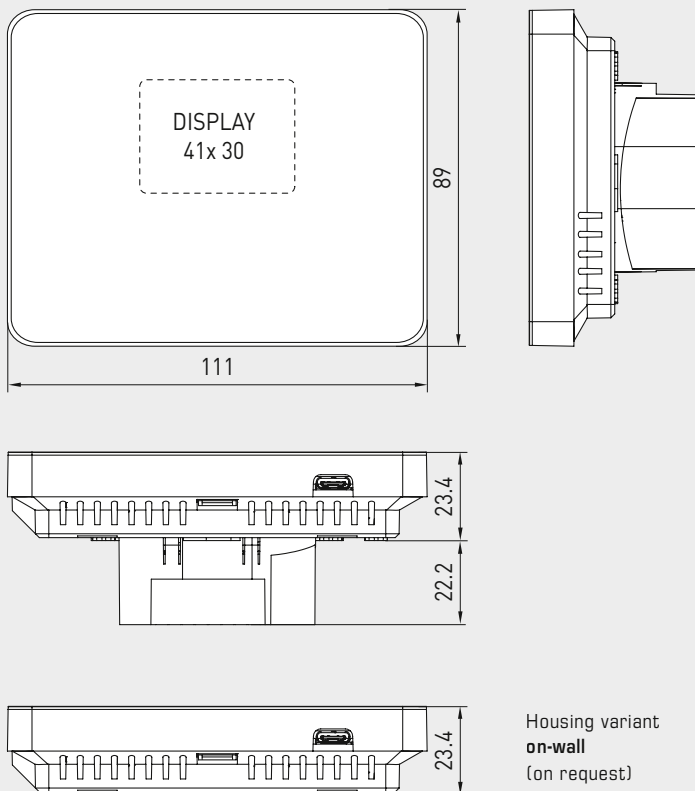


Type 1201-LED-BB



Dimensional drawing **Iduna 3**
[mm]

RYMASKON® 13xx
RYMASKON® 14xx



Type 1401-BB



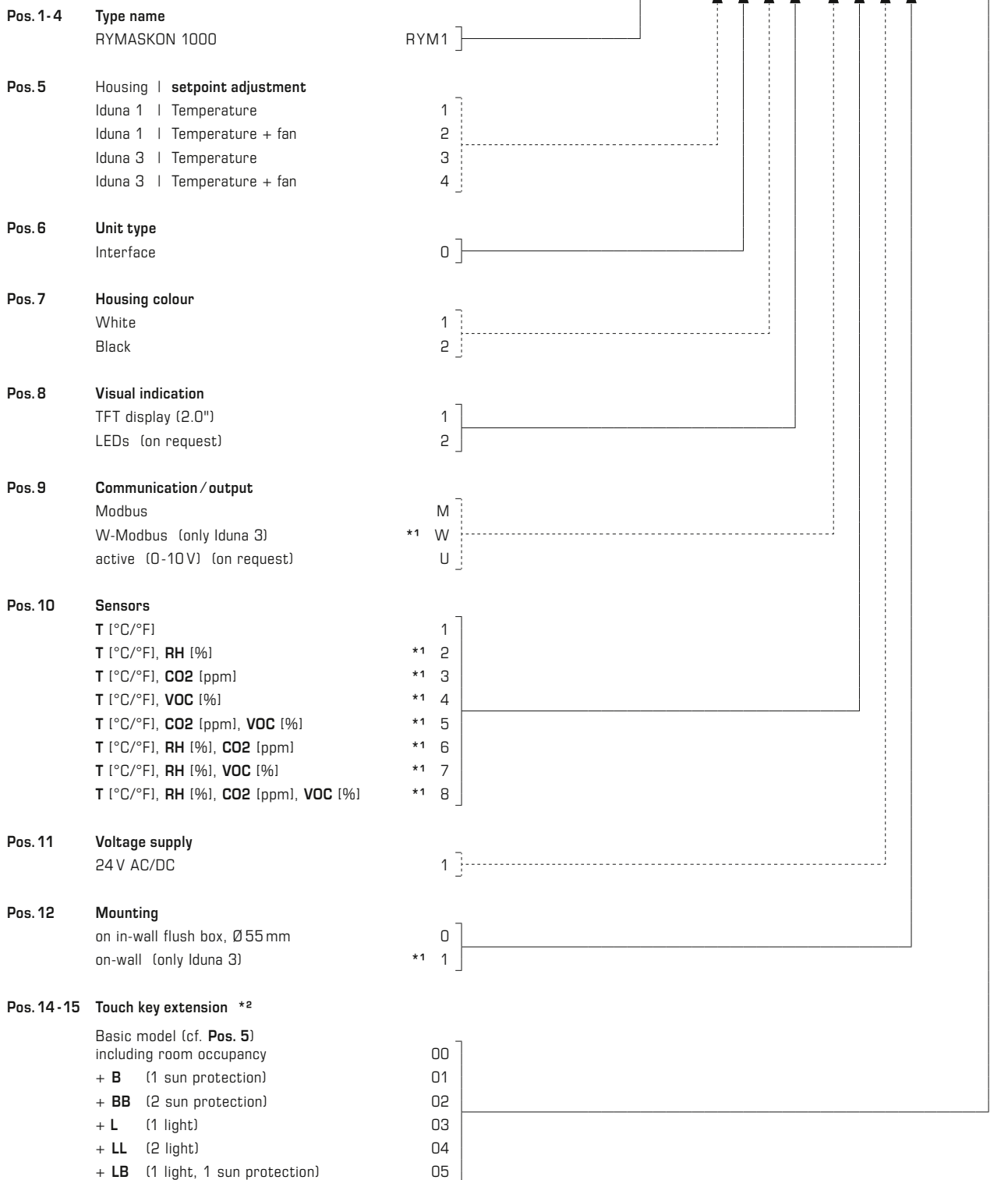
Type 1401-LED-BB

Interface for control of temperature, fan, light and sun protection
 Room control panel with colour TFT display,
 with Modbus connection or W-Modbus (Wireless)

S+S REGELTECHNIK

RYMASKON® 1000 Interface (series)
 Number key for type versions

R Y M 1 - x 0 x x - x x 1 x - 0 x x



*1 Design only possible in combination with housing Iduna 3 (cf. Pos. 5)

*2 Sun protection adjustment (B) and light (L) only via bus

Sensors	
T	Temperature [°C/°F]
RH	Relative humidity [%]
CO2	Carbon dioxide [ppm]
VOC	Air quality [%]



NEW

Interface for control of temperature, fan, light and sun protection
Room control panel with colour TFT display,
with Modbus connection or W-Modbus (Wireless)

KEY FEATURES

Basic models (see type table)

- 24 V AC/DC voltage supply
- **Modbus** connection or wireless **W-Modbus**
- 2.0" TFT **display** (320x240x3 RGB pixels), with LED backlighting, high contrast, 85° viewing angle, (LED display on request)
- Capacitive **touch keys** (optional extension to max. 10 keys)
- optional **housing** Iduna 1 (93x83 mm) and Iduna 3 (111x89 mm), white and black colours, for wall-mounting on in-wall flush boxes (on-wall on request), quick and easy installation via push-in terminals
- Integrated temperature and humidity sensor (basic equipment) (CO2 and VOC sensors available as an option)
- **Regulation** of heating, cooling, fan via Modbus/W-Modbus
- **Control** of temperature, fan (sun protection and light with dimming function available as an option)
- Power-saving and environmentally friendly thanks to **features** such as automatic brightness adjustment, stand-by, wake-up, etc.

Type 1301



Type 1402



RYMASKON® 130x		Interface (basic model) Room control units for temperature adjustment					
Type / WG02	Communi- cation	Measuring element	Control system	Colour / Housing	Display	Item no.	Price
RYMASKON® 130x MOD				Iduna 3			
RYM 1301-RH-MOD	Modbus	T RH	T - R	white		RYM1-3011-M210-000	211,65 €
RYM 1302-RH-MOD	Modbus	T RH	T - R	black		RYM1-3021-M210-000	211,65 €
RYMASKON® 130x WMOD				Iduna 3			
RYM 1301-RH-WMOD	W-Modbus	T RH	T - R	white		RYM1-3011-W210-000	291,65 €
RYM 1302-RH-WMOD	W-Modbus	T RH	T - R	black		RYM1-3021-W210-000	291,65 €

RYMASKON® 140x		Interface (basic models) Room control units for temperature and fan adjustment						
Type / WG02	Communi- cation	Measuring element	Control system	Colour / Housing	Display	Item no.	Price	
RYMASKON® 140x MOD				Iduna 3				
RYM 1401-RH-MOD	Modbus	T RH	T F R	white		RYM1-4011-M210-000	211,65 €	
RYM 1402-RH-MOD	Modbus	T RH	T F R	black		RYM1-4021-M210-000	211,65 €	
RYMASKON® 140x WMOD				Iduna 3				
RYM 1401-RH-WMOD	W-Modbus	T RH	T F R	white		RYM1-4011-W210-000	291,65 €	
RYM 1402-RH-WMOD	W-Modbus	T RH	T F R	black		RYM1-4021-W210-000	291,65 €	
Measuring element / control system:	T = Temperature sensor (basic equipment) RH = Humidity sensor		T = Temperature F = Fan R = Room occupancy					

OPTIONS			
Measuring elements:	CO2 = CO2 sensor	Extra charge	123,60 €
	VOC = VOC sensor	Extra charge	120,51 €
Control:	B / L Keys for sun protection and/or light (cf. Pos. 14-15)	on request	
Communication:	without Modbus	on request	
Optional:	More type versions available upon request! For configuration options, see number key (left)		

Controller for controlling temperature, fan, light and sun protection
Room controller with colour TFT display,
with Modbus connection or wireless W-Modbus

The room control units of the RYMASKON® 1000 / 2000 / 3000 series are designed for control (up to 5 climate zones) in residential, hotel and office rooms and individually regulate the heating, cooling and fan levels of the internal rooms. The controller variants can be operated as stand-alone units thanks to the integrated control functions PI, PWM or 2-/3-point control. The product family is characterised by its elegant design, intuitive operation and the many possible combinations of the individual components.

The room control units RYMASKON® 1000 C (controller) are used to control and regulate heating convectors and fan coils. Depending on the type variant, the units are available with analogue outputs (0-10 V) and with Digital/relay outputs for controlling heating valves, cooling valves, 6-way valves, staged fans or EC fans. Control takes place via PI, PWM or 2-point/3-point control. The change-over function can be used to operate 2-pipe and 4-pipe systems. The Modbus or W-Modbus communication interface enables the climate parameters on the controller to be changed and monitored via the BMS at any time. In addition, the sun protection (Venetian blinds, shutters) and light functions can be controlled via the bus. Visual indication takes place on a 2" TFT display, operation is via capacitive touch keys.

In addition to the integrated temperature and humidity sensor, sensors for CO₂ and VOC are available as an option. An input for a passive temperature sensor (NTC10K) and an input for a potential-free contact are additionally available. This allows a window contact or a condensation control switch to be connected, for example. This provides all options for air-conditioning of the rooms according to individual requirements.

All unit types are available in the contemporary housing Iduna 3 (111 x 89 mm) in white or black colour. Wall-mounting is performed on standard in-wall flush boxes.

TECHNICAL DATA

Unit type:	Room controller for heating convectors or fan coils
Functions:	Temperature, fan, sun protection and light (see type table)
System of units:	SI (default) or imperial (can be changed in the Modbus register)
Data points:	Temperature [°C] [°F], relative humidity [%RH], air quality (VOC) [%] [ppb], carbon dioxide (CO ₂) [ppm], setpoint (temperature, fan, presence)
Power consumption:	typically < 3 W at 24 V DC; typically < 4.5 VA at 24 V AC
Voltage supply:	24 V AC/DC (± 10%) or 230 V AC (100-240 V AC)
Communication:	Modbus RTU Slave, address range 1...247, RS 485 interface, max. 63 units, 9600 / 19200 / 38400 / 57500 Baud, 8N1, even / odd parity, 1 / 2 stop bits or W-Modbus Slave, address range 1...247, approx. 63 units, BMS connection is radio-based via W-Modbus gateway
Display:	TFT display , 2" (41 x 30 mm), 320 x 240 x 3 pixels (RGB), LED backlighting, viewing angle ± 85°
Operating elements:	Capacitive keys (up to 10 keys, depending on type) for setting the target temperature, fan stages, presence message, sensor values, and for operating sun protection and light
Inputs:	1 Input NTC10K (can be configured as a digital input DI1 , potential-free) 1 Digital input DI2 for potential-free switches or for potential-loaded switch (230 V AC relay variant)
Outputs:	Analogue outputs AO (0-10 V DC, max. 5 mA) as PI controllers relay outputs RO (230 V AC, max. 500 mA, cos φ = 1.0) or relay outputs RO (230 V AC, max. 3 A, cos φ = 1.0) as 2-point/3-point controllers Digital outputs DO (I _n 400 mA, short circuit max. 1.2 A) as 2-point/3-point controllers, PWM for heating/cooling, 6-way-valves, fan, number depends on controller type (see connection diagrams)
Electrical connection:	0.2 - 1.5 mm ² , using push-in terminals
Housing:	Plastic, ABS material, colour white or black
Housing dimensions:	111 x 89 x 24 mm (Iduna 3) + 22 mm (in-wall)
Mounting:	Wall-mounting on in-wall flush box, Ø 55 mm, (on-wall installation on request)
Ambient temperature:	0...+50°C (operation); -30...+70°C (storage)
Permitted humidity:	0...90% RH (non-precipitating air)
Protection type:	IP 30 (according to EN 60 529)
Standards:	CE conformity, 2014/30/EU EMC Directive (EN 60730-1/2, EN 61000-6-1/3), 2001/95/EG Product safety (EN 60730-1), 2014/35/EU Low-Voltage Directive (EN 60730-1/2) Radio Directive ETSI 300 328 V2.2.2

Continued on next page!



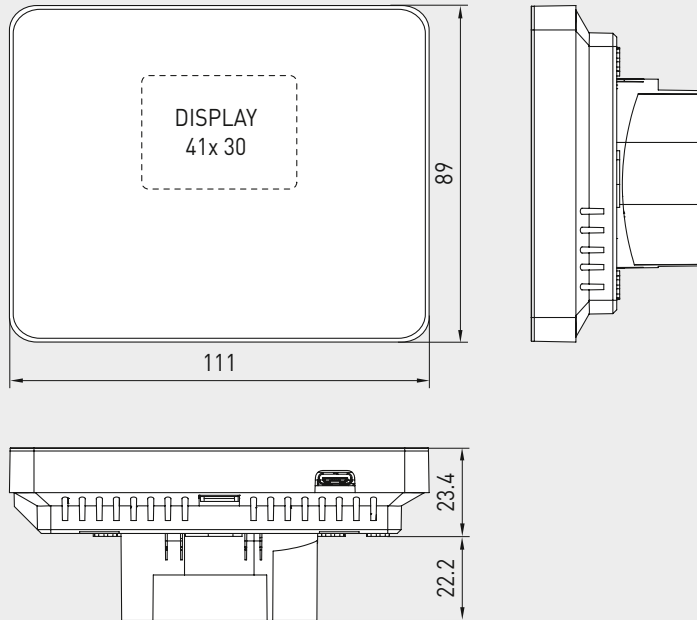
NEW

Controller for controlling temperature, fan, light and sun protection
Room controller with colour TFT display,
with Modbus connection or wireless W-Modbus

Dimensional drawing **Iduna 3**
[mm]

RYMASKON® 13xx
RYMASKON® 14xx

Standard design with
display and touch keys
e.g. type **14x1-LB**



e.g. type **14x1-BB**



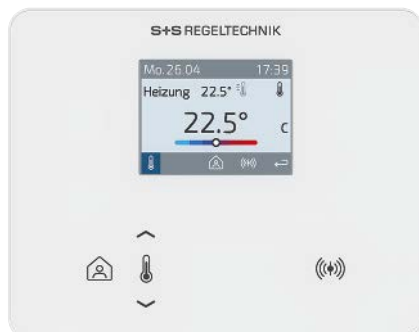
TECHNICAL DATA (continuation)

TEMPERATURE	(basic equipment)
Sensor:	digital temperature sensor, low hysteresis, high long-term stability
Measuring range:	0...+50 °C / +32...+122 °F
Accuracy:	typically ± 0.5 K at +25 °C
HUMIDITY	(basic equipment)
Sensor:	digital humidity sensor, low hysteresis, high long-term stability
Measuring range:	0...100 % RH
Accuracy:	typically ± 2.0 % (20...80 % RH) at +25 °C, otherwise ± 3.0 %
CARBON DIOXIDE (CO2)	(optional)
Sensor:	digital photoacoustic NDIR-CO2 sensor (non-dispersive infra-red technology), with automatic calibration and high long-term stability
Measuring range:	0...2000 ppm
Accuracy:	typically ±50 ppm, ±3 % of the measured value at +25 °C
AIR QUALITY (VOC)	(optional)
Sensor:	digital metal oxide (MOX) based VOC sensor
Measuring range:	0...100 % (corresponds to 0...30 000 ppb ethanol equiv.)
Accuracy:	< ± 15 %
Service life:	> 10 years (if used as intended, depending on type and duration of VOC exposure)

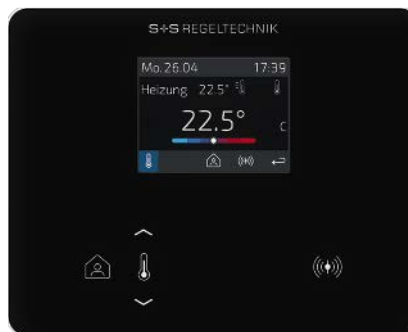
Controller for controlling temperature, fan, light and sun protection
Room controller with colour TFT display,
with Modbus connection or wireless W-Modbus

Basic models
(see type table)
Iduna 3

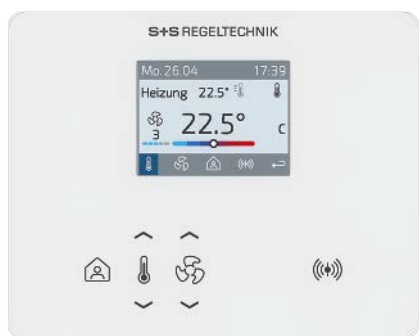
Type 1311 / 1321



Type 1312 / 1322



Type 1431 / 1441 / 1451



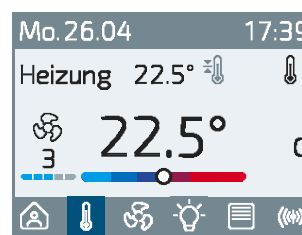
Type 1432 / 1442 / 1452



KEY FEATURES

Basic models
(see type table)

- Power supply 24 V AC/DC or 230 VAC
- **Modbus** connection or wireless **W-Modbus**
- 2.0" TFT **display** (320 x 240 x 3 RGB pixels), with LED backlighting, high contrast, 85° viewing angle (LED display on request)
- Capacitive **touch keys** (optional extension to max. 10 keys)
- **Housing** Iduna 3 (111 x 89mm), white and black colours, for wall-mounting on in-wall flush boxes, quick and easy installation via push-in terminals
- Integrated temperature and humidity sensor (basic equipment) (CO2 and VOC sensors available as an option)
- **Control** of heating, cooling, 6-way valve, fan
- **Control** of temperature, fan (sun protection and light with dimming function available as an option)
- Power-saving and environmentally friendly thanks to **features** such as automatic brightness adjustment, stand-by, wake-up, etc.



Display symbols



NEW

Controller for controlling temperature, fan, light and sun protection
Room controller with colour TFT display,
with Modbus connection or wireless W-Modbus

Type 132xC-MOD

3 AO (h, c, 6W)

- 01 free
- 02 free
- 03 free
- 04 free
- 05 A03 0-10V (6-way valve)
- 06 A02 0-10V (cooling)
- 07 A01 0-10V (heating)
- 08 GND (AO)
- 09 GND (DI2)
- 10 DI2 (potential-free)
- 11 UB+ 24V AC/DC
- 12 UB- GND AC/DC
- 13 NTC10K (DI1, potential-free)
- 14 GND (NTC10K/DI1)
- 15 Modbus A
- 16 Modbus B
- 17 Modbus A
- 18 Modbus B

Type 143xC-MOD

2 AO (h, c, 6W) + 1 AO (f)

- 01 free
- 02 free
- 03 free
- 04 free
- 05 A03 0-10V (fan)
- 06 A02 0-10V (cooling, 6-way valve)
- 07 A01 0-10V (heating, 6-way valve)
- 08 GND (AO)
- 09 GND (DI2)
- 10 DI2 (potential-free)
- 11 UB+ 24V AC/DC
- 12 UB- GND AC/DC
- 13 NTC10K (DI1, potential-free)
- 14 GND (NTC10K/DI1)
- 15 Modbus A
- 16 Modbus B
- 17 Modbus A
- 18 Modbus B

**Type 136xC-MOD
Type 146xC-MOD**

2 AO (h, c, f) + 2 DO (h, c)

- 01 free
- 02 free
- 03 free
- 04 free
- 05 free
- 06 A02 0-10V (cooling, fan)
- 07 A01 0-10V (heating, fan)
- 08 GND (AO)
- 09 GND (DI2)
- 10 DI2 (potential-free)
- 11 UB+ 24V AC/DC
- 12 UB- GND AC/DC
- 13 NTC10K (DI1, potential-free)
- 14 GND (NTC10K/DI1)
- 15 Modbus A
- 16 Modbus B
- 17 Modbus A
- 18 Modbus B

Type 132xC-WMOD

3 AO (h, c, 6W)

- 01 free
- 02 free
- 03 free
- 04 free
- 05 A03 0-10V (6-way valve)
- 06 A02 0-10V (cooling)
- 07 A01 0-10V (heating)
- 08 GND (AO)
- 09 GND (DI2)
- 10 DI2 (potential-free)
- 11 UB+ 24V AC/DC
- 12 UB- GND AC/DC
- 13 NTC10K (DI1, potential-free)
- 14 GND (NTC10K/DI1)
- 15 free
- 16 free
- 17 free
- 18 free

Type 143xC-WMOD

2 AO (h, c, 6W) + 1 AO (f)

- 01 free
- 02 free
- 03 free
- 04 free
- 05 A03 0-10V (fan)
- 06 A02 0-10V (cooling, 6-way valve)
- 07 A01 0-10V (heating, 6-way valve)
- 08 GND (AO)
- 09 GND (DI2)
- 10 DI2 (potential-free)
- 11 UB+ 24V AC/DC
- 12 UB- GND AC/DC
- 13 NTC10K (DI1, potential-free)
- 14 GND (NTC10K/DI1)
- 15 free
- 16 free
- 17 free
- 18 free

**Type 136xC-WMOD
Type 146xC-WMOD**

2 AO (h, c, f) + 2 DO (h, c)

- 01 free
- 02 free
- 03 free
- 04 free
- 05 free
- 06 A02 0-10V (cooling, fan)
- 07 A01 0-10V (heating, fan)
- 08 GND (AO)
- 09 GND (DI2)
- 10 DI2 (potential-free)
- 11 UB+ 24V AC/DC
- 12 UB- GND AC/DC
- 13 NTC10K (DI1, potential-free)
- 14 GND (NTC10K/DI1)
- 15 free
- 16 free
- 17 free
- 18 free

Type 131xC-WMOD

2 RO (h, c) + 1 AO (6W)

- 01 L (230V AC)
- 02 N (230V AC)
- 03 DI2 (230V AC) - Ref N
- 04 R02 Cooling relay (solid state, 0.5A)
- 05 R01 Heating relay (solid state, 0.5A)
- 06 free
- 07 free
- 08 free
- 11 Output 0-10V (6-way valve)
- 12 GND (NTC10K/DI1)
- 13 NTC10K (DI1, potential-free)
- 14 GND (NTC10K/DI1)

Type 145xC-WMOD

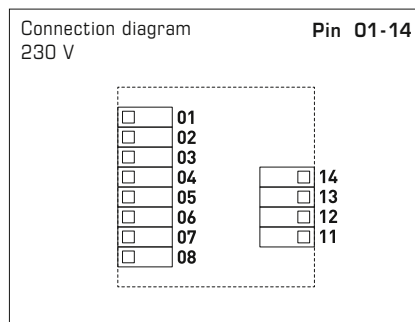
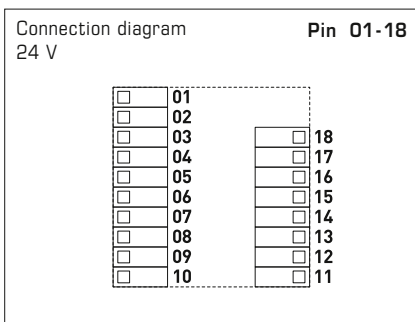
2 RO (h, c) + 1 AO (f)

- 01 L (230V AC)
- 02 N (230V AC)
- 03 DI2 (230V AC) - Ref N
- 04 R02 Cooling relay (solid state, 0.5A)
- 05 R01 Heating relay (solid state, 0.5A)
- 06 free
- 07 free
- 08 free
- 11 Output 0-10V (Fan)
- 12 GND (Output 0-10V)
- 13 NTC10K (DI1, potential-free)
- 14 GND (NTC10K/DI1)

Type 144xC-WMOD

2 RO (h, c) + 3 RO (f)

- 01 L (230V AC)
- 02 N (230V AC)
- 03 DI2 (230V AC) - Ref N
- 04 R02 Cooling relay (solid state, 0.5A)
- 05 R01 Heating relay (solid state, 0.5A)
- 06 R05 Fan level 3 relay (mechanical, 3A)
- 07 R04 Fan level 2 relay (mechanical, 3A)
- 08 R03 Fan level 1 relay (mechanical, 3A)
- 11 free
- 12 free
- 13 NTC10K (DI1, potential-free)
- 14 GND (NTC10K/DI1)

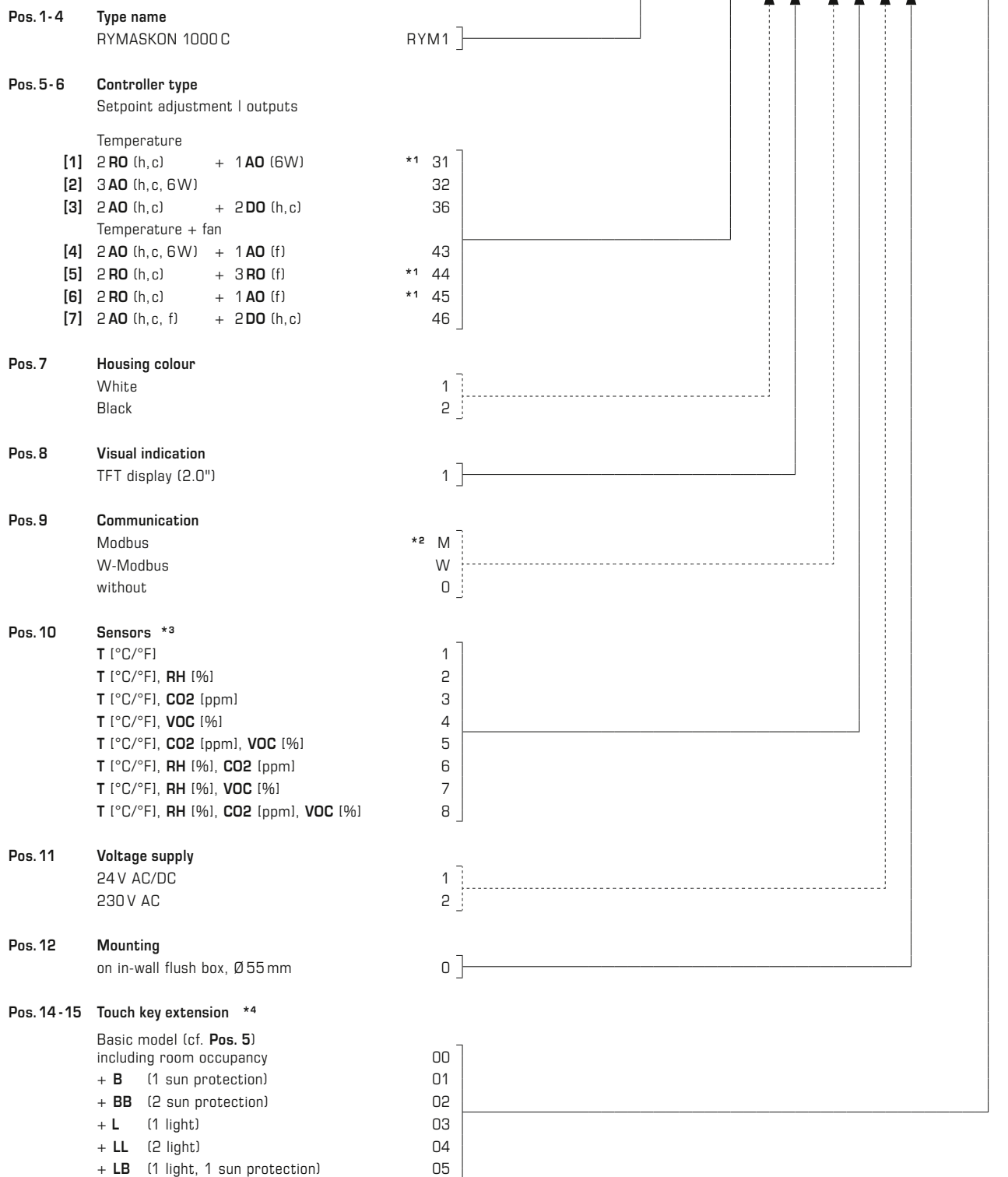


Controller for controlling temperature, fan, light and sun protection
 Room controller with colour TFT display,
 with Modbus connection or wireless W-Modbus

S+S REGELTECHNIK

R YMASKON® 1000 C Controller (series)
 Number key for type versions

R Y M 1 - x x x 1 - x x x 0 - 0 x x



*1 230 V units

*2 not with 230 V units

*3 With units without bus (cf. Pos. 9)
no output, display only

*4 Adjustment of sun protection (B)
and light (L) is only possible via bus

Outputs

AO Analogue (0-10 V DC)
RO Relay (230 V AC)
DO Digital (24 V DC)
 (h,c) heating, cooling
 (f) Fan
 (6 W) 6-way valve

Sensors

T Temperature [°C/°F]
RH Relative humidity [%]
CO2 Carbon dioxide [ppm]
VOC Air quality [%]



NEW

S+S REGELTECHNIK

Controller for controlling temperature, fan, light and sun protection
Room controller with colour TFT display,
with Modbus connection or wireless W-Modbus

RYMASKON® 13xx C		Controller (basic model) for heating convectors (HC) for temperature adjustment					
Type / WG02 Control outputs	Communi- cation	Measuring element	Control system	Colour / Housing	Display	Item no.	Price
[1] 2 RO (heating, cooling, 230 V AC, max. 500 mA) + 1 AO (6-way valve, 0-10 V)							
RYMASKON® 131x C				Iduna 3			
RYM 1311C-RH-WMOD	W-Modbus	T RH	T - R	white	■	RYM1-3111-W220-000	306,51 €
RYM 1312C-RH-WMOD	W-Modbus	T RH	T - R	black	■	RYM1-3121-W220-000	306,51 €
[2] 3 AO (heating, cooling, 6-way valve, 0-10 V)							
RYMASKON® 132x C				Iduna 3			
RYM 1321C-RH-MOD	Modbus	T RH	T - R	white	■	RYM1-3211-M210-000	226,51 €
RYM 1322C-RH-MOD	Modbus	T RH	T - R	black	■	RYM1-3221-M210-000	226,51 €
RYM 1321C-RH-WMOD	W-Modbus	T RH	T - R	white	■	RYM1-3211-W210-000	306,51 €
RYM 1322C-RH-WMOD	W-Modbus	T RH	T - R	black	■	RYM1-3221-W210-000	306,51 €
[3] 2 AO (heating, cooling, 0-10 V) + 2 DO (heating, cooling, 24 V, max. 1 A resistive load)							
RYMASKON® 136x C				Iduna 3			
RYM 1361C-RH-MOD	Modbus	T RH	T - R	white	■	RYM1-3611-M210-000	226,51 €
RYM 1362C-RH-MOD	Modbus	T RH	T - R	black	■	RYM1-3621-M210-000	226,51 €
RYM 1361C-RH-WMOD	W-Modbus	T RH	T - R	white	■	RYM1-3611-W210-000	306,51 €
RYM 1362C-RH-WMOD	W-Modbus	T RH	T - R	black	■	RYM1-3621-W210-000	306,51 €

RYMASKON® 14xx C		Controller (basic models) for FAN COILS for temperature and fan adjustment						
Type / WG02 Control outputs	Communi- cation	Measuring element	Control system	Colour / Housing	Display	Item no.	Price	
[4] 3 AO (heating, cooling 6-way valve, EC fan, 0-10 V)								
RYMASKON® 143x C				Iduna 3				
RYM 1431C-RH-MOD	Modbus	T RH	T F R	white	■	RYM1-4311-M210-000	226,51 €	
RYM 1432C-RH-MOD	Modbus	T RH	T F R	black	■	RYM1-4321-M210-000	226,51 €	
RYM 1431C-RH-WMOD	W-Modbus	T RH	T F R	white	■	RYM1-4311-W210-000	306,51 €	
RYM 1432C-RH-WMOD	W-Modbus	T RH	T F R	black	■	RYM1-4321-W210-000	306,51 €	
[5] 5 RO (heating, cooling, 230 VAC, max. 500 mA 3-level fan, 230 VAC, max. 3 A)								
RYMASKON® 144x C				Iduna 3				
RYM 1441C-RH-WMOD	W-Modbus	T RH	T F R	white	■	RYM1-4411-W220-000	306,51 €	
RYM 1442C-RH-WMOD	W-Modbus	T RH	T F R	black	■	RYM1-4421-W220-000	306,51 €	
[6] 2 RO (heating, cooling, 230 VAC, max. 500 mA) + 1 AO (EC fan, 0-10 V)								
RYMASKON® 145x C				Iduna 3				
RYM 1451C-RH-WMOD	W-Modbus	T RH	T F R	white	■	RYM1-4511-W220-000	306,51 €	
RYM 1452C-RH-WMOD	W-Modbus	T RH	T F R	black	■	RYM1-4521-W220-000	306,51 €	
[7] 2 AO (heating, cooling, EC fan, 0-10 V) + 2 DO (heating, cooling, 24 V, max. 1 A resistive load)								
RYMASKON® 146x C				Iduna 3				
RYM 1461C-RH-MOD	Modbus	T RH	T F R	white	■	RYM1-4611-M210-000	226,51 €	
RYM 1462C-RH-MOD	Modbus	T RH	T F R	black	■	RYM1-4621-M210-000	226,51 €	
RYM 1461C-RH-WMOD	W-Modbus	T RH	T F R	white	■	RYM1-4611-W210-000	306,51 €	
RYM 1462C-RH-WMOD	W-Modbus	T RH	T F R	black	■	RYM1-4621-W210-000	306,51 €	
Measuring element / control system:	T = Temperature sensor (basic equipment) RH = Humidity sensor		T = Temperature F = Fan R = Room occupancy					

OPTIONS			
Measuring elements:	CO2 = CO2 sensor	Extra charge	123,60 €
	VOC = VOC sensor	Extra charge	120,51 €
Control:	B / L Keys for sun protection and/or light (cf. Pos. 14-15)	on request	
Communication:	without Modbus	on request	
Optional:	More type versions on request! For configuration options, see number key (left)		

**Interface for controlling temperature, fan, light and sun protection,
 room control unit with colour TFT touch display,
 with Modbus connection or W-Modbus (wireless)**

The room control units of the **RYMASKON® 1000 / 2000 / 3000** series are designed for control (up to 5 climate zones) in residential, hotel and office rooms and individually regulate the heating, cooling and fan levels of the internal rooms. The controller variants can be operated as stand-alone units thanks to the integrated control functions PI, PWM or 2-/3-point control. The product family is characterised by its elegant design, intuitive operation and the many possible combinations of the individual components.

The room control units **RYMASKON® 2000** (4.3" interface) and **RYMASKON® 3000** (5.0" interface) are used to control temperature, fans, sun protection (Venetian blinds, shutters) or light. The room control units make the setpoints available to the BMS either via conventionally wired Modbus or via the wireless, radio-based W-Modbus. Visual indication and control take place via TFT **touch display**.

In addition to the integrated temperature and humidity sensor, **sensors** for CO₂ and VOC are available as an option. An input for a passive temperature sensor (NTC10K) and an input for a potential-free contact are additionally available. This allows a window contact or a condensation control switch to be connected, for example. This provides all options for air-conditioning of the rooms according to individual requirements.

All unit types are optionally available in the contemporary **housing** Iduna 5 (129 x 89 mm) and Iduna 6 (143 x 98 mm) in white or black colour. Wall-mounting is performed on standard in-wall flush boxes (available upon request).

TECHNICAL DATA

Unit type:	Room control unit (interface)
Functions:	Temperature, fan, sun protection, light, presence and scenes (manual or time-controlled)
System of units:	SI (default) or Imperial (can be set in the Modbus register)
Data points:	temperature [°C] [°F], relative humidity [% RH], air quality (VOC) [%] [ppb], carbon dioxide (CO ₂) [ppm], setpoint (temperature, fan, presence)
Room quantity:	single-room controller with series 2000 , multi-room controller (up to 5 rooms) with series 3000 ,
Power consumption:	typically < 4 W at 24 VDC; typically < 5.5 VA at 24 VAC
Voltage supply:	24 V AC/DC (± 10 %)
Communication:	Modbus RTU Slave, address range 1...247, RS 485 interface, max. 63 units, 9600 / 19200 / 38400 / 57500 baud, 8N1, even / uneven parity, 1 / 2 stop bits or W-Modbus Slave, address range 1...247, approx. 63 units, BMS connection is radio-based via W-Modbus gateway
Indication:	TFT touch display , 800 x 480 x 3 pixels (RGB), 4.3" (approx. 96 x 55 mm) with series 2000 , 5.0" (approx. 109 x 66 mm) with series 3000 , LED backlight, viewing angle ± 85°
Control element:	Touch screen for setting the target temperature, fan stages, presence message, sensor values, and for operating sun protection and light
Inputs:	1 NTC10K (configurable as a digital input) 1 digital input for potential-free switches
Outputs:	Modbus / W-Modbus or (on request) 5 analogue outputs (0-10 V) for target temperature, fan stages, presence message, sensor values, digital output
Electrical connection:	0.2 - 1.5 mm ² , using push-in terminals
Housing:	Plastic, ABS material, white or black colour
Housing dimensions:	approx. 129 x 89 x 22 mm (Iduna 5) with series 2000 approx. 143 x 98 x 22 mm (Iduna 6) with series 3000
Mounting:	Wall-mounting on in-wall flush boxes, Ø 55 mm (on-wall installation on request)
Ambient temperature:	0...+50 °C (operation); -30...+70 °C (storage)
Permitted humidity:	0...90 % RH (non-precipitating air)
Protection type:	IP 30 (according to EN 60 529)
Standards:	CE-conformity, 2014/30/EU EMC Directive (EN 60730-1/2, EN 61000-6-1/3), 2001/95/EG Product safety (EN 60730-1), Radio Directive ETSI 300 328 V2.2.2

Continued on next page!



NEW

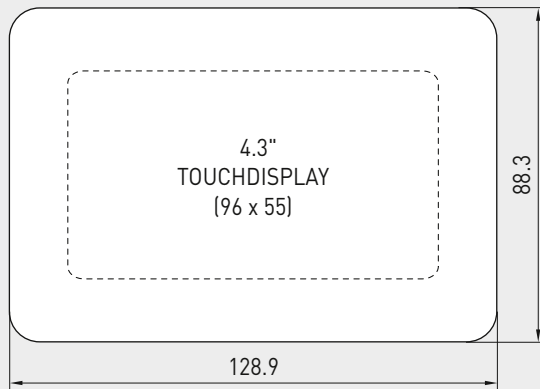
S+S REGELTECHNIK

RYMASKON® 2000 Interface
RYMASKON® 3000 Interface

Interface for controlling temperature, fan, light and sun protection, room control unit with colour TFT touch display, with Modbus connection or W-Modbus (wireless)

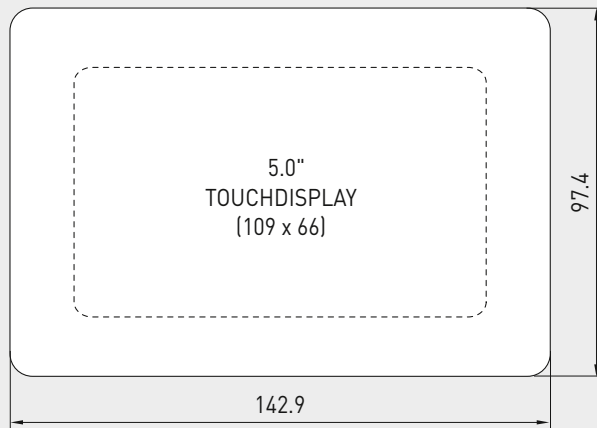
Iduna 5 housing
(mm)

RYMASKON® 2000



Iduna 6 housing
(mm)

RYMASKON® 3000



TECHNICAL DATA (continuation)

TEMPERATURE

Sensor:	digital temperature sensor, low hysteresis, high long-term stability
Measuring range:	0...+50 °C / +32...+122 °F
Accuracy:	typically ± 0.5 K at +25 °C

HUMIDITY

Sensor:	digital humidity sensor, low hysteresis, high long-term stability
Measuring range:	0...100 % RH
Accuracy:	typically ± 2.0 % (20...80 % RH) at +25 °C, otherwise ± 3.0 %

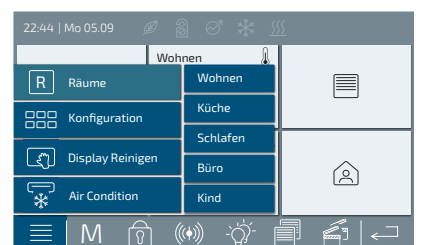
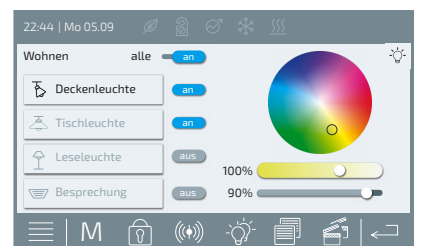
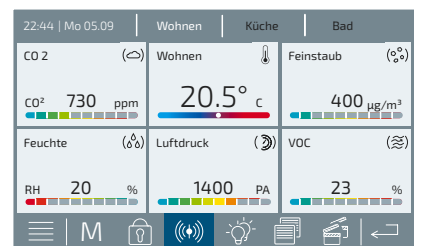
CARBON DIOXIDE (CO2)

Sensor:	digital photoacoustic NDIR-CO2 sensor (non-dispersive infra-red technology), with automatic calibration and high long-term stability
Measuring range:	0...2000 ppm
Accuracy:	typically ±50 ppm, ±3 % of the measured value at +25 °C

AIR QUALITY (VOC)

Sensor:	digital metal oxide (MOX) based VOC sensor
Measuring range:	0...100 % (corresponds to 0...30 000 ppb ethanol equiv.)
Accuracy:	< ± 15 %
Service life:	> 10 years (if used as intended, depending on type and duration of VOC exposure)

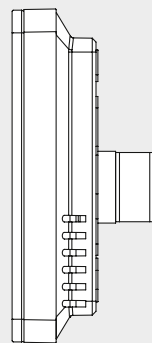
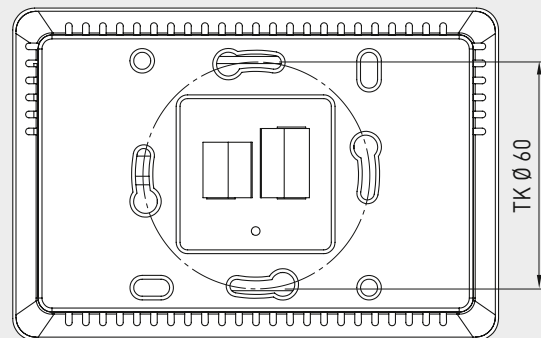
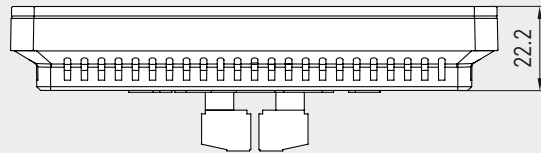
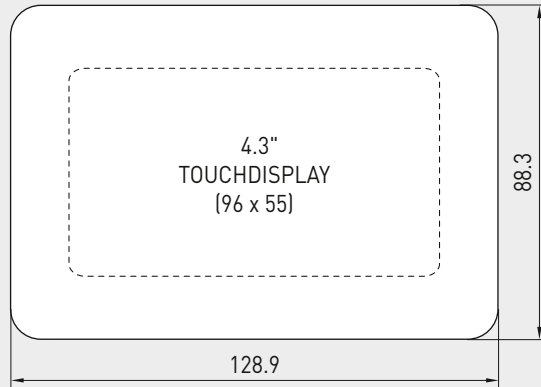
Display symbols



Interface for controlling temperature, fan, light and sun protection,
 room control unit with colour TFT touch display,
 with Modbus connection or W-Modbus (wireless)

Dimensional drawing Iduna 5
 [mm]

RYMASKON® 2000



Type 2001



Type 2002



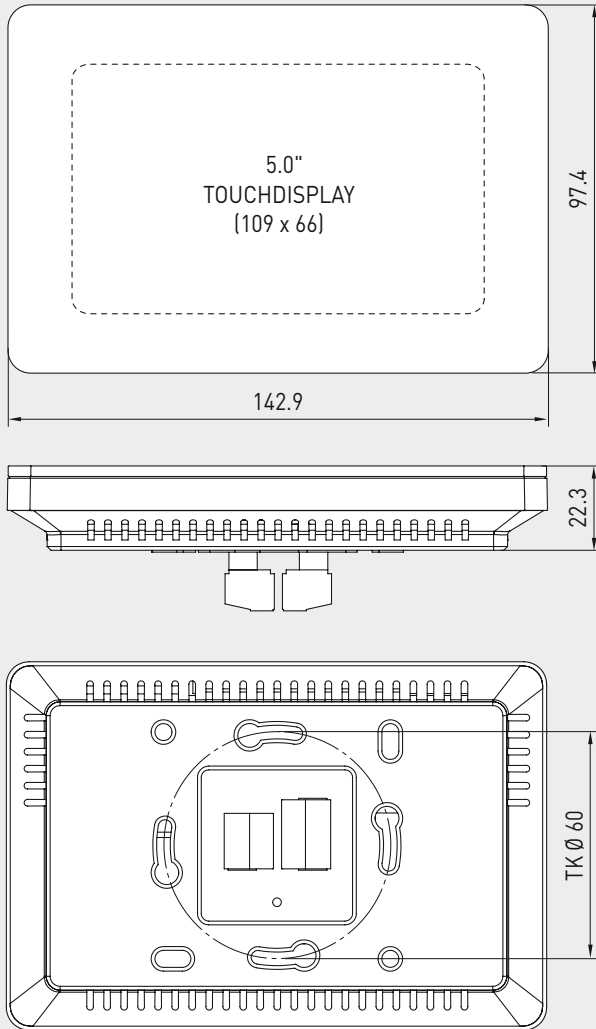
NEW

S+S REGELTECHNIK

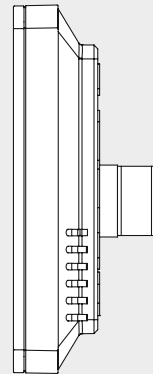
RYMASKON® 2000 Interface
RYMASKON® 3000 Interface

Interface for controlling temperature, fan, light and sun protection, room control unit with colour TFT touch display, with Modbus connection or W-Modbus (wireless)

Dimensional drawing **Iduna 6**
[mm]



RYMASKON® 3000



Type 3001



Type 3002

Interface for controlling temperature, fan, light and sun protection, room control unit with colour TFT touch display, with Modbus connection or W-Modbus (wireless)

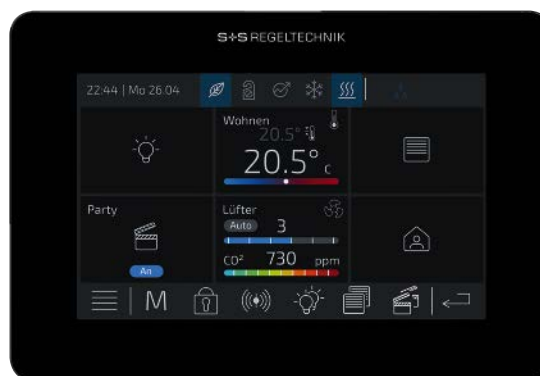
KEY FEATURES

Standard models (see type table)

- 24 V AC/DC voltage supply
- **Modbus** connection or wireless **W-Modbus**
- **4.3"** (approx. 96 x 55 mm) or **5.0"** (approx. 109 x 66 mm) TFT **touch display**, 800 x 480 x 3 pixels (RGB), with LED backlight, high contrast, 85° viewing angle
- **Housing** Iduna 5 (129 x 89 x 22 mm) or Iduna 6 (143 x 98 x 22 mm), optionally in white and black colours, for wall-mounting on in-wall flush boxes (on-wall on request), quick and easy installation via push-in terminals
- **Sensors** for temperature, humidity, CO2 and VOC
- **Regulation** of heating, cooling, fan via Modbus/W-Modbus
- **Control** of temperature and fans, as well as up to 4 sun protection and light circuits
- Up to 8 **scenes** with start and end time can be programmed
- **Multi-room controller** for up to 5 rooms (series 3000 only)
- Power-saving and environmentally friendly thanks to **features** such as automatic brightness adjustment, stand-by, wake-up, etc.

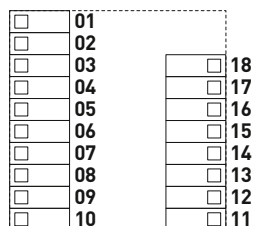


Type 2001



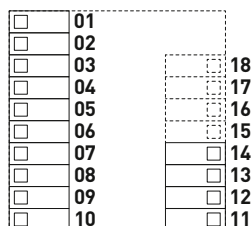
Type 3002

RYMASKON 2000-MOD Interface
RYMASKON 3000-MOD Interface



- 01 free
- 02 free
- 03 free
- 04 free
- 05 free
- 06 free
- 07 free
- 08 free
- 09 GND (DI2)
- 10 DI2
- 11 **UB+** 24V AC/DC
- 12 **UB-** GND AC/DC
- 13 **NTC10K** (DI1, potential-free)
- 14 GND (NTC10K/DI1)
- 15 Modbus A
- 16 Modbus B
- 17 Modbus A
- 18 Modbus B

RYMASKON 2000-WMOD Interface
RYMASKON 3000-WMOD Interface



- 01 free
- 02 free
- 03 free
- 04 free
- 05 free
- 06 free
- 07 free
- 08 free
- 09 GND (DI2)
- 10 DI2
- 11 **UB+** 24V AC/DC
- 12 **UB-** GND AC/DC
- 13 **NTC10K** (DI1, potential-free)
- 14 GND (NTC10K/DI1)
- 15 free
- 16 free
- 17 free
- 18 free



NEW

S+S REGELTECHNIK

RYMASKON® 2000 Interface
RYMASKON® 3000 Interface

Interface for controlling temperature, fan, light and sun protection, room control unit with colour TFT touch display, with Modbus connection or W-Modbus (wireless)

RYMASKON® 2000		Interface (4.3")				
Room control units with touch display						
Type / WG02	Communi- cation	Measuring elements / controller	Colour / Housing	Display	Item no.	Price
RYMASKON® 2000 MOD		T F R B L		Iduna 5		
RYM 2001-RH-MOD	Modbus	T RH	white	■	RYM2-0011-M210-000	435,00 €
RYM 2002-RH-MOD	Modbus	T RH	black	■	RYM2-0021-M210-000	435,00 €
RYM 2001-RH-CO2-MOD	Modbus	T RH CO2	white	■	RYM2-0011-M610-000	523,00 €
RYM 2002-RH-CO2-MOD	Modbus	T RH CO2	black	■	RYM2-0021-M610-000	523,00 €
RYM 2001-RH-CO2-VOC-MOD	Modbus	T RH CO2 VOC	white	■	RYM2-0011-M810-000	602,00 €
RYM 2002-RH-CO2-VOC-MOD	Modbus	T RH CO2 VOC	black	■	RYM2-0021-M810-000	602,00 €
RYMASKON® 2000 WMOD		T F R B L		Iduna 5		
RYM 2001-RH-WMOD	W-Modbus	T RH	white	■	RYM2-0011-W210-000	515,00 €
RYM 2002-RH-WMOD	W-Modbus	T RH	black	■	RYM2-0021-W210-000	515,00 €
RYM 2001-RH-CO2-WMOD	W-Modbus	T RH CO2	white	■	RYM2-0011-W610-000	603,00 €
RYM 2002-RH-CO2-WMOD	W-Modbus	T RH CO2	black	■	RYM2-0021-W610-000	603,00 €
RYM 2001-RH-CO2-VOC-WMOD	W-Modbus	T RH CO2 VOC	white	■	RYM2-0011-W810-000	682,00 €
RYM 2002-RH-CO2-VOC-WMOD	W-Modbus	T RH CO2 VOC	black	■	RYM2-0021-W810-000	682,00 €

RYMASKON® 3000		Interface (5.0")				
Room control units with touch display						
Type / WG02	Communi- cation	Measuring elements / controller	Colour / Housing	Display	Item no.	Price
RYMASKON® 3000 MOD		T F R B L		Iduna 6		
RYM 3001-RH-MOD	Modbus	T RH	white	■	RYM3-0011-M210-000	465,00 €
RYM 3002-RH-MOD	Modbus	T RH	black	■	RYM3-0021-M210-000	465,00 €
RYM 3001-RH-CO2-MOD	Modbus	T RH CO2	white	■	RYM3-0011-M610-000	553,00 €
RYM 3002-RH-CO2-MOD	Modbus	T RH CO2	black	■	RYM3-0021-M610-000	553,00 €
RYM 3001-RH-CO2-VOC-MOD	Modbus	T RH CO2 VOC	white	■	RYM3-0011-M810-000	632,00 €
RYM 3002-RH-CO2-VOC-MOD	Modbus	T RH CO2 VOC	black	■	RYM3-0021-M810-000	632,00 €
RYMASKON® 3000 WMOD		T F R B L		Iduna 6		
RYM 3001-RH-WMOD	W-Modbus	T RH	white	■	RYM3-0011-W210-000	545,00 €
RYM 3002-RH-WMOD	W-Modbus	T RH	black	■	RYM3-0021-W210-000	545,00 €
RYM 3001-RH-CO2-WMOD	W-Modbus	T RH CO2	white	■	RYM3-0011-W610-000	633,00 €
RYM 3002-RH-CO2-WMOD	W-Modbus	T RH CO2	black	■	RYM3-0021-W610-000	633,00 €
RYM 3001-RH-CO2-VOC-WMOD	W-Modbus	T RH CO2 VOC	white	■	RYM3-0011-W810-000	712,00 €
RYM 3002-RH-CO2-VOC-WMOD	W-Modbus	T RH CO2 VOC	black	■	RYM3-0021-W810-000	712,00 €

OPTIONS		
Equipment:	measuring elements (sensors) T = temperature [°C/°F] RH = relative humidity [%] CO2 = carbon dioxide [ppm] VOC = air quality [%]	Controller T = temperature F = fan R = room occupancy B = sun protection (blind) L = light
Type versions:	Combined measuring elements T RH VOC on request On-wall housing on request	

Controller for controlling temperature, fan, light and sun protection
Room controller with colour TFT touch display,
with Modbus connection or W-Modbus (Wireless)

S+S REGELTECHNIK

The room control units of the RYMASKON® 1000 / 2000 / 3000 series are designed for control (up to 5 climate zones) in residential, hotel and office rooms and individually regulate the heating, cooling and fan levels of the internal rooms. The controller variants can be operated as stand-alone units thanks to the integrated control functions PI, PWM or 2-/3-point control. The product family is characterised by its elegant design, intuitive operation and the many possible combinations of the individual components.

The room control units RYMASKON® 2000C (4.3" controller) are used to control and regulate heating convectors and fan coils, heating valves, cooling valves, 6-way valves and EC fans. Control is implemented via PI, PWM or 2-/3-point regulation. The change-over function can be used to operate 2-pipe and 4-pipe systems. Depending on the type version, the units are available with analogue outputs (0-10V) and digital outputs (24V). The Modbus or W-Modbus communication interface enables the climate parameters on the controller to be changed and monitored via the BMS at any time. In addition, the sun protection (Venetian blinds, shutters) and light functions can be controlled via the bus. Visual indication and control take place via TFT touch display (4.3").

In addition to the integrated temperature and humidity sensor, sensors for CO₂ and VOC are available as an option. An input for a passive temperature sensor (NTC10K) and an input for a potential-free contact are additionally available. This allows a window contact or a condensation control switch to be connected, for example. This provides all options for air-conditioning of the rooms according to individual requirements.

All unit types are available in the contemporary housing Iduna 5 (129x89 mm) in white or black colour. Wall-mounting is performed on standard in-wall flush boxes.

TECHNICAL DATA

Unit type:	Room controller for heating convectors or fan coils
Functions:	Temperature, fan, sun protection, light, presence and scenes (manual or time-controlled)
System of units:	SI (default) or Imperial (can be set in the Modbus register)
Data points:	temperature [°C] [°F], relative humidity [% RH], air quality (VOC) [%] [ppb], carbon dioxide (CO ₂) [ppm], setpoint (temperature, fan, presence)
Power consumption:	typically < 4 W at 24 V DC; typically < 5.5 VA at 24 V AC
Voltage supply:	24 V AC/DC (± 10 %)
Communication:	Modbus RTU Slave, address range 1...247, RS 485 interface, max. 63 units, 9600 / 19200 / 38400 / 57500 baud, 8N1, even / uneven parity, 1 / 2 stop bits or W-Modbus Slave, address range 1...247, approx. 63 units, BMS connection is radio-based via W-Modbus gateway
Indication:	TFT touch display , 800 x 480 x 3 Pixel (RGB), 4.3" (approx. 96 x 55 mm), LED backlight, viewing angle ± 85°
Control element:	Touch screen for setting the target temperature, fan stages, presence message, sensor values, and for operating sun protection and light
Inputs:	1 Input NTC10K (configurable as a digital input DI1 , potential-free) 1 Digital input DI2 for potential-free switches
Outputs:	Type 203x 3 Analogue outputs AO (0-10V DC, max. 5 mA) as PI-controllers Type 206x 2 Analogue outputs AO (0-10V DC, max. 5 mA) as PI controllers , 2 Digital outputs DO (I _n 400 mA, short circuit max. 1.2 A) as 2-/3-point controllers, PWM
Electrical connection:	0.2 - 1.5 mm ² , using push-in terminals
Housing:	Plastic, ABS material, white or black colour
Housing dimensions:	approx. 129x89x22 mm (Iduna 5)
Mounting:	wall mounting on in-wall flush box, Ø 55 mm
Ambient temperature:	0...+50°C (operation); -30...+70°C (storage)
Permitted humidity:	0...90 % RH (non-precipitating air)
Protection type:	IP 30 (according to EN 60529)
Standards:	CE-conformity, 2014/30/EU EMC Directive (EN 60730-1/2, EN 61000-6-1/3), 2001/95/EG Product safety (EN 60730-1), Radio Directive ETSI 300 328 V2.2.2

Continued on next page!



NEW

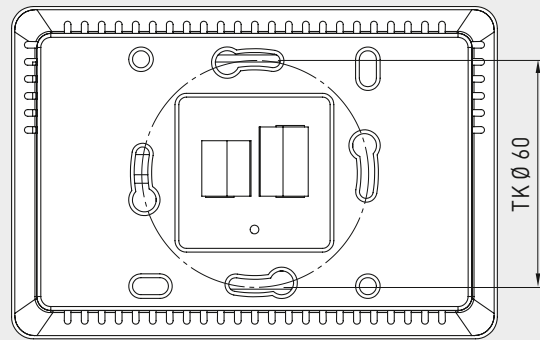
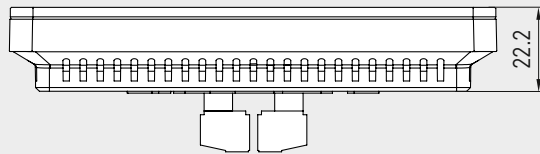
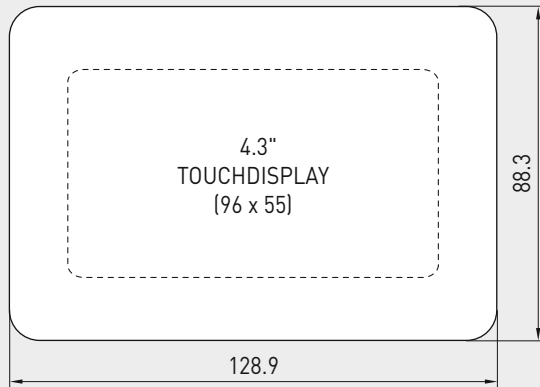
S+S REGELTECHNIK

RYMASKON® 2000 Controller

Controller for controlling temperature, fan, light and sun protection
Room controller with colour TFT touch display,
with Modbus connection or W-Modbus (wireless)

Dimensional drawing Iduna 5
[mm]

RYMASKON® 2000



Type 2001

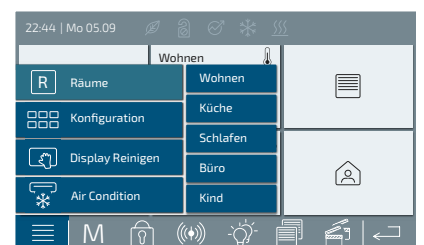
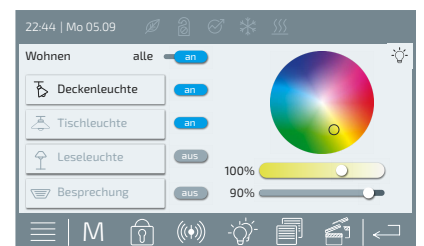
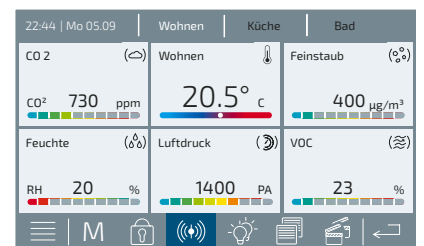


Type 2002

TECHNICAL DATA (continuation)

TEMPERATURE	
Sensor:	digital temperature sensor, low hysteresis, high long-term stability
Measuring range:	0...+50 °C / +32...+122 °F
Accuracy:	typically ± 0.5 K at +25 °C
HUMIDITY	
Sensor:	digital humidity sensor, low hysteresis, high long-term stability
Measuring range:	0...100 % RH
Accuracy:	typically ± 2.0 % (20...80 % RH) at +25 °C, otherwise ± 3.0 %
CARBON DIOXIDE (CO2)	
Sensor:	digital photoacoustic NDIR-CO2 sensor (non-dispersive infra-red technology), with automatic calibration and high long-term stability
Measuring range:	0...2000 ppm
Accuracy:	typically ±50 ppm, ±3 % of the measured value at +25 °C
AIR QUALITY (VOC)	
Sensor:	digital metal oxide (MOX) based VOC sensor
Measuring range:	0...100 % (corresponds to 0...30 000 ppb ethanol equiv.)
Accuracy:	< ± 15 %
Service life:	> 10 years (if used as intended, depending on type and duration of VOC exposure)

Display symbols



Controller for controlling temperature, fan, light and sun protection
 Room controller with colour TFT touch display,
 with Modbus connection or W-Modbus (wireless)

S+S REGELTECHNIK

KEY FEATURES

Standard models (see type table)

- Voltage supply 24 V AC/DC
- **Modbus** connection or wireless **W-Modbus**
- **4.3"** (approx. 96 x 55 mm) TFT **touch display**, 800 x 480 x 3 pixels (RGB), with LED backlight, high contrast, 85° viewing angle
- **Housing** Iduna 5 (129 x 89 x 22 mm), optionally in white and black colours, for wall-mounting on in-wall flush boxes quick and easy installation via push-in terminals
- **Sensors** for temperature, humidity, CO2 and VOC
- **Regulation** of heating, cooling, fan via Modbus/W-Modbus
- **Control** of heating, cooling, 6-way valve, fan
- **Control** of temperature and fans, as well as up to 4 sun protection and light circuits
- Up to **8 scenes** with start and end time can be programmed
- Power-saving and environmentally friendly thanks to **features** such as automatic brightness adjustment, stand-by, wake-up, etc.



Type 2031 C / 2061 C



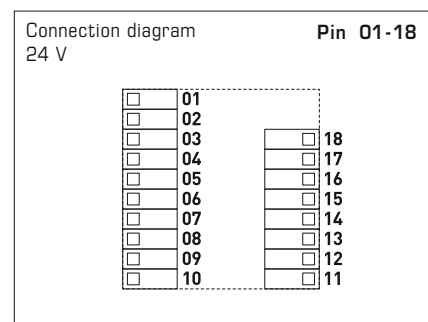
Type 2032 C / 2062 C

Type 203x C-MOD	
2 AO (h, c, 6W) + 1 AO (f)	
01	free
02	free
03	free
04	free
05	A03 0-10V (fan)
06	A02 0-10V (cooling, 6-way valve)
07	A01 0-10V (heating, 6-way valve)
08	GND (AO)
09	GND (DI2)
10	DI2 (potential-free)
11	UB+ 24V AC/DC
12	UB- GND AC/DC
13	NTC10K (DI1, potential-free)
14	GND (NTC10K/DI1)
15	Modbus A
16	Modbus B
17	Modbus A
18	Modbus B

Type 206x C-MOD	
2 AO (h, c, f) + 2 DO (h, c)	
01	DO2 (NO/NC contact, 400mA, cooling)
02	DO1 (NO/NC contact, 400mA, heating)
03	Root/COM (24V, max.1A ohm load)
04	free
05	free
06	A02 0-10V (cooling, fan)
07	A01 0-10V (heating, fan)
08	GND (AO)
09	GND (DI2)
10	DI2 (potential-free)
11	UB+ 24V AC/DC
12	UB- GND AC/DC
13	NTC10K (DI1, potential-free)
14	GND (NTC10K/DI1)
15	Modbus A
16	Modbus B
17	Modbus A
18	Modbus B

Type 203x C-WMOD	
2 AO (h, c, 6W) + 1 AO (f)	
01	free
02	free
03	free
04	free
05	A03 0-10V (fan)
06	A02 0-10V (cooling, 6-way valve)
07	A01 0-10V (heating, 6-way valve)
08	GND (AO)
09	GND (DI2)
10	DI2 (potential-free)
11	UB+ 24V AC/DC
12	UB- GND AC/DC
13	NTC10K (DI1, potential-free)
14	GND (NTC10K/DI1)
15	free
16	free
17	free
18	free



Type 206x C-WMOD	
2 AO (h, c, f) + 2 DO (h, c)	
01	DO2 (NO/NC contact, 400mA, cooling)
02	DO1 (NO/NC contact, 400mA, heating)
03	Root/COM (24V, max.1A ohm load)
04	free
05	free
06	A02 0-10V (cooling, fan)
07	A01 0-10V (heating, fan)
08	GND (AO)
09	GND (DI2)
10	DI2 (potential-free)
11	UB+ 24V AC/DC
12	UB- GND AC/DC
13	NTC10K (DI1, potential-free)
14	GND (NTC10K/DI1)
15	free
16	free
17	free
18	free





NEW

Controller for controlling temperature, fan, light and sun protection
Room controller with colour TFT touch display,
with Modbus connection or W-Modbus (wireless)

RYMASKON® 2000 C		Controller (4.3"), for temperature adjustment on heating convectors (HC) and fan coils (FANCOIL)			 	
Type / WG02 control outputs	Communication	Measuring elements / controller	Colour / Housing	Display	Item no.	Price
[1] 3 AO (heating, cooling, 6-way valve, EC fan, 0-10 V)						
RYMASKON® 203x C MOD		T F R B L	Iduna 5			
RYM 2031C-RH-MOD	Modbus	T RH	white	■	RYM2-0311-M210-000	460,00 €
RYM 2032C-RH-MOD	Modbus	T RH	black	■	RYM2-0321-M210-000	460,00 €
RYM 2031C-RH-CO2-MOD	Modbus	T RH CO2	white	■	RYM2-0311-M610-000	548,00 €
RYM 2032C-RH-CO2-MOD	Modbus	T RH CO2	black	■	RYM2-0321-M610-000	548,00 €
RYM 2031C-RH-CO2-VOC-MOD	Modbus	T RH CO2 VOC	white	■	RYM2-0311-M810-000	627,00 €
RYM 2032C-RH-CO2-VOC-MOD	Modbus	T RH CO2 VOC	black	■	RYM2-0321-M810-000	627,00 €
RYMASKON® 203x C WMOD		T F R B L	Iduna 5			
RYM 2031C-RH-WMOD	W-Modbus	T RH	white	■	RYM2-0311-W210-000	540,00 €
RYM 2032C-RH-WMOD	W-Modbus	T RH	black	■	RYM2-0321-W210-000	540,00 €
RYM 2031C-RH-CO2-WMOD	W-Modbus	T RH CO2	white	■	RYM2-0311-W610-000	628,00 €
RYM 2032C-RH-CO2-WMOD	W-Modbus	T RH CO2	black	■	RYM2-0321-W610-000	628,00 €
RYM 2031C-RH-CO2-VOC-WMOD	W-Modbus	T RH CO2 VOC	white	■	RYM2-0311-W810-000	707,00 €
RYM 2032C-RH-CO2-VOC-WMOD	W-Modbus	T RH CO2 VOC	black	■	RYM2-0321-W810-000	707,00 €
[2] 2 AO (heating, cooling, EC fan, 0-10V) + 2 DO (heating, cooling, 24 V, max. 1 A resistive load)						
RYMASKON® 206x C MOD		T F R B L	Iduna 5			
RYM 2061C-RH-MOD	Modbus	T RH	white	■	RYM2-0611-M210-000	460,00 €
RYM 2062C-RH-MOD	Modbus	T RH	black	■	RYM2-0621-M210-000	460,00 €
RYM 2061C-RH-CO2-MOD	Modbus	T RH CO2	white	■	RYM2-0611-M610-000	548,00 €
RYM 2062C-RH-CO2-MOD	Modbus	T RH CO2	black	■	RYM2-0621-M610-000	548,00 €
RYM 2061C-RH-CO2-VOC-MOD	Modbus	T RH CO2 VOC	white	■	RYM2-0611-M810-000	627,00 €
RYM 2062C-RH-CO2-VOC-MOD	Modbus	T RH CO2 VOC	black	■	RYM2-0621-M810-000	627,00 €
RYMASKON® 206x C WMOD		T F R B L	Iduna 5			
RYM 2061C-RH-WMOD	W-Modbus	T RH	white	■	RYM2-0611-W210-000	540,00 €
RYM 2062C-RH-WMOD	W-Modbus	T RH	black	■	RYM2-0621-W210-000	540,00 €
RYM 2061C-RH-CO2-WMOD	W-Modbus	T RH CO2	white	■	RYM2-0611-W610-000	628,00 €
RYM 2062C-RH-CO2-WMOD	W-Modbus	T RH CO2	black	■	RYM2-0621-W610-000	628,00 €
RYM 2061C-RH-CO2-VOC-WMOD	W-Modbus	T RH CO2 VOC	white	■	RYM2-0611-W810-000	707,00 €
RYM 2062C-RH-CO2-VOC-WMOD	W-Modbus	T RH CO2 VOC	black	■	RYM2-0621-W810-000	707,00 €

OPTIONS		
Equipment:	measuring elements (sensors) T = temperature [°C/°F] RH = relative humidity [%] CO ₂ = carbon dioxide [ppm] VOC = air quality [%]	Controller T = temperature F = fan R = room occupancy B = sun protection (blind) L = light
Type versions:	Combined measuring elements T RH VOC on request	

Roomoperating humidity and temperature sensor (± 2.0 %), on-wall, for temperature, relative / absolute humidity, dew point, mixture ratio, enthalpy, calibratable, with Modbus connection

The calibratable room sensor **HYGRASGARD® RFTF-Modbus** with Modbus connection, in an elegant plastic housing (Balduur 2) with snap-on lid, base with 4-hole attachment, optionally with/without display, measures air humidity (0...100%RH) and temperature (0...+50°C). International system of units **SI** (default) can be changed to **imperial** (via Modbus). These measured values are used to internally calculate the following parameters that can be retrieved via Modbus: relative humidity, absolute humidity, mixture ratio, dew point temperature, enthalpy (ignoring atmospheric air pressure) and temperature. Available as a room control unit in various type versions with **control elements** such as setpoint potentiometer (%), rotary switch (5-step), presence button or five-colour LEDs (colours and modes configurable) for displaying the operating states.

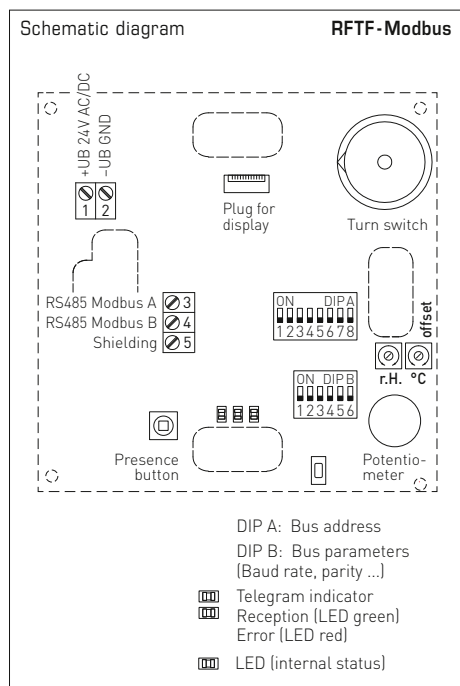
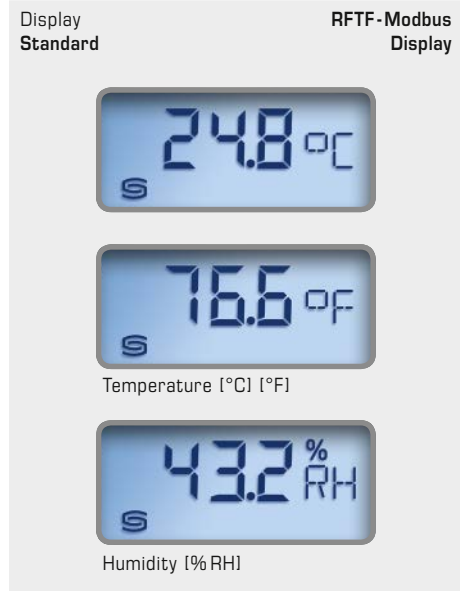
A long-term stable, **digital humidity and temperature sensor** guarantees exact measurement results. The sensor is factory-calibrated; an environmental precision adjustment by an expert is possible. **Modbus sensor** with galvanically separated RS485 Modbus interface, selectable bus termination resistance, DIP switches for setting the bus parameters and bus address in a currentless state, internal LEDs for telegram status display and two-line display (illuminated, in the 7-segment and dot-matrix range, individually programmable).

RFTF-Modbus-PTD5 5L with potentiometer, push-buttons, rotary switches and LED display



TECHNICAL DATA

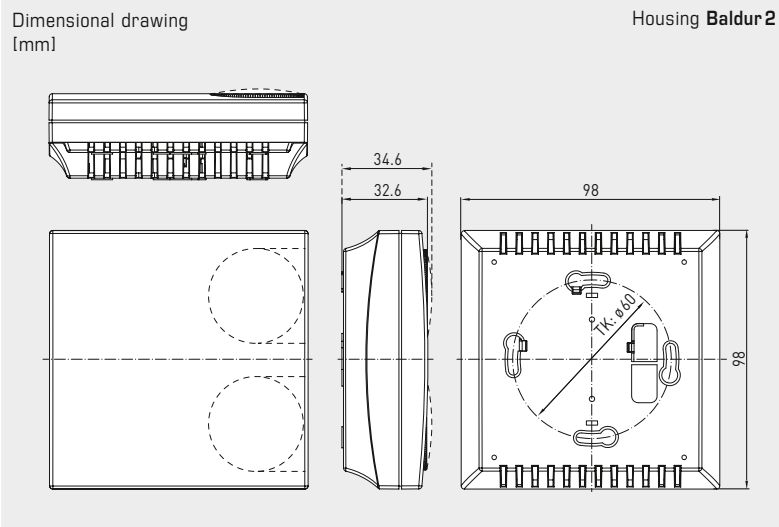
Power supply:	24 V AC (± 20 %) and 15...36 V DC
Power consumption:	< 1.0 W / 24 V DC; < 2.2 VA / 24 V AC
Sensor:	Digital humidity sensor with integrated temperature sensor , low hysteresis, high long-term stability
System of units:	SI (default) or Imperial (switchable via Modbus)
Data points:	Temperature [°C] [°F], relative humidity [% RH], absolute humidity [g/m ³] [gr/ft ³], dew point [°C] [°F], mixture ratio [g/kg] [gr/lb], enthalpy [kJ/kg] [Btu/lb], setpoint potentiometer, rotary switch and presence button
Measuring range:	0...100 % RH (humidity) 0...+ 50 °C (temperature)
Deviation, humidity:	typically ± 2.0 % (20...80 % RH) at +25 °C, otherwise ± 3.0 %
Deviation, temperature:	typically ± 0.2 K at +25 °C
Zero point offset:	± 10 % RH (humidity) ± 10 °C (temperature) adjustable using potentiometer
Ambient temperature:	storage -35...+85 °C; operation 0...+50 °C
Medium:	clean air and non-aggressive , non-combustible gases
Bus protocol:	Modbus (RTU mode), address range 0... 247 selectable
Baud rate:	9600, 19200, 38400 Baud
Signal filtering:	4 s / 32 s
Electrical connection:	0.2 - 1.5 mm ² , via terminal screws
Housing:	plastic, material ABS, colour pure white (similar to RAL 9010)
Dimensions:	98 x 98 x 33 mm (Balduur 2)
Installation:	wall mounting or on in-wall flush box, Ø 55 mm, base with 4 holes, for attachment to vertically or horizontally installed in-wall flush boxes for rear cable entry, with predetermined breaking point for cable entry from top /bottom in case of plain on-wall installation
Long-term stability:	± 1 % per year
Permissible air humidity:	< 95 % RH, non-precipitating air
Protection class:	III (according to EN 60 730)
Protection type:	IP30 (according to EN 60 529)
Standards:	CE conformity according to EMC Directive 2014 / 30 / EU, according to EN 61 326
Features:	Display with illumination , two-line, programmable, cutout approx. 36 x 15 mm (W x H), to display actual humidity and temperature or a selectable parameter or an individually programmable display value LEDs (colour-programmable)
ACCESSORIES	see table





S+S REGELTECHNIK

Roomoperating humidity and temperature sensor ($\pm 2.0\%$), on-wall,
for temperature, relative / absolute humidity, dew point, mixture ratio, enthalpy,
calibratable, with Modbus connection



RFTF-Modbus-PT 5L
with display, potentiometer,
push-buttons and LED display



The display value depends on the set unit system.
By default, the display alternates between the **actual temperature** and the **actual humidity** (relative humidity).
The Modbus interface allows the display to be **individually** configured both in the 7-segment area and in the dot-matrix area.

The **Modbus configuration** can be used to program an alternative output variable instead of the standard display.
In this case, the first line displays the value and index while the second line displays the corresponding unit.
The index identifies the display type:

- Index 1 = temperature
- Index 2 = setpoint potentiometer
- Index 3 = dew point
- Index 4 = relative humidity
- Index 5 = absolute humidity
- Index 6 = mixture ratio
- Index 7 = enthalpy

HYGRASGARD® RFTF-Modbus Roomoperating humidity and temperature sensor						
Type / WG01	Measuring Range / Readout	Temperature	Output	Display	Item No.	Price
RFTF-Modbus-xx						
RFTF-Modbus P	0...100% RH (default) 0...80 g/kg (MR) 0...80 g/m³ (A.H.) 0...85 kJ/kg (ENT.) -20...+80 °C (DP)	0...+50 °C	Modbus		1201-42B6-6001-005	206,52 €
RFTF-Modbus P LCD	(5x as above)	(1x as above)	Modbus	■	1201-42B6-7001-005	245,85 €
RFTF-Modbus P 5L	(5x as above)	(1x as above)	Modbus		1201-42B6-6119-005	266,30 €
RFTF-Modbus P 5L LCD	(5x as above)	(1x as above)	Modbus	■	1201-42B6-7119-005	305,63 €
RFTF-Modbus P D5	(5x as above)	(1x as above)	Modbus		1201-42B6-6012-841	237,66 €
RFTF-Modbus P D5 5L	(5x as above)	(1x as above)	Modbus		1201-42B6-6120-841	299,94 €
RFTF-Modbus P T D5 5L	(5x as above)	(1x as above)	Modbus		1201-42B6-6121-841	314,89 €
RFTF-Modbus P T	(5x as above)	(1x as above)	Modbus		1201-42B6-6047-005	218,97 €
RFTF-Modbus P T LCD	(5x as above)	(1x as above)	Modbus	■	1201-42B6-7047-005	258,30 €
RFTF-Modbus P T 5L	(5x as above)	(1x as above)	Modbus		1201-42B6-6051-005	281,24 €
RFTF-Modbus P T 5L LCD	(5x as above)	(1x as above)	Modbus	■	1201-42B6-7051-005	320,58 €
Equipment:	P = Potentiometer (setpoint setter) T = Presence push-buttons		D5 = Rotary switch, 5-step 5L = LED display, multi-colour (5x)			
ACCESSORIES						
KA2-Modbus	Communication adapter (USB/RS485)				1906-1200-0000-100	220,41 €

**Room operating temperature sensor, on-wall,
for temperature, dew point,
calibratable, with Modbus connection**

The calibratable room temperature measuring transducer **THERMASGARD® RTM1-Modbus** with Modbus connection, in an elegant housing (Baldur 1) with snap-on lid, base with 4-hole attachment, optionally with/without display, for detecting room temperature (0...+50 °C). International system of units **SI** (default) can be changed to **imperial** (via Modbus). The following parameters can be retrieved via Modbus: Temperature, dew point temperature. Available as a room control unit in various type versions with setpoint potentiometer (%).

A long-term stable, **digital temperature sensor** guarantees exact measurement results. The sensor is factory-calibrated; an environmental precision adjustment by an expert is possible. **Modbus sensor** with galvanically separated RS485 Modbus interface, selectable bus termination resistance, DIP switches for setting the bus parameters and bus address in a currentless state, internal LEDs for telegram status display and two-line display (illuminated, in the 7-segment and dot-matrix range, individually programmable).

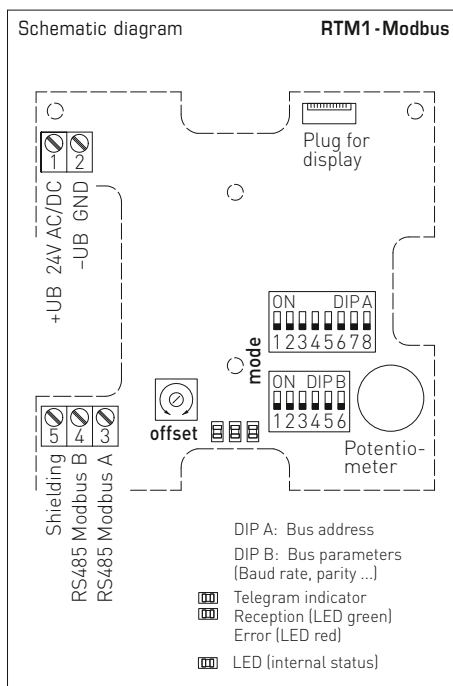
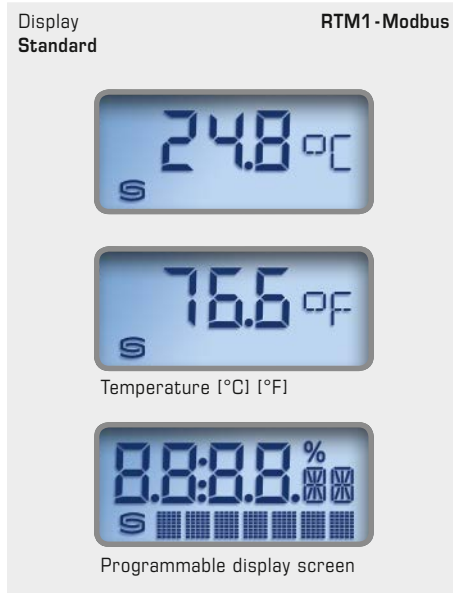
RTM1-Modbus
Standard



TECHNICAL DATA

Voltage supply:	24 V AC (± 20 %) and 15...36V DC
Power consumption:	< 1.0W / 24V DC; < 2.2VA / 24V AC
Sensor:	digital temperature sensor , low hysteresis, high long-term stability
System of units:	SI (default) or imperial (can be changed via Modbus)
Data points:	temperature [°C] [°F], dew point [°C] [°F], setpoint potentiometer
Measuring range:	0...+50 °C
Temperature deviation:	typically ± 0.2 K at +25 °C
Zero point offset:	± 10 °C adjustable by potentiometer
Ambient temperature:	storage -35...+85 °C; operation 0...+50 °C
Medium:	clean air and non-aggressive , non-combustible gases
Bus protocol:	Modbus (RTU mode), address range 0... 247 selectable
Baud rate:	9600, 19200, 38400 Baud
Signal filtering:	4 s / 32 s
Electrical connection:	0.2 - 1.5 mm ² , via terminal screws
Housing:	plastic, material ABS, colour pure white (similar to RAL 9010)
Housing dimension:	85 x 85 x 27 mm (Baldur 1)
Installation:	wall mounting or on in-wall flush box, Ø 55 mm, base with 4 holes, for attachment to vertically or horizontally installed in-wall flush boxes for rear cable entry, with predetermined breaking point for cable entry from top/bottom in case of plain on-wall installation
Long-term stability:	± 1 % per year
Permissible air humidity:	< 95 % RH, non-precipitating air
Protection class:	III (according to EN 60 730)
Protection type:	IP30 (according to EN 60 529)
Standards:	CE conformity according to EMC Directive 2014 / 30 / EU, according to EN 61 326
Features:	Display with illumination , two-line, programmable, cutout approx. 36 x 15 mm (W x H), to display actual temperature or a selectable parameter or an individually programmable display value

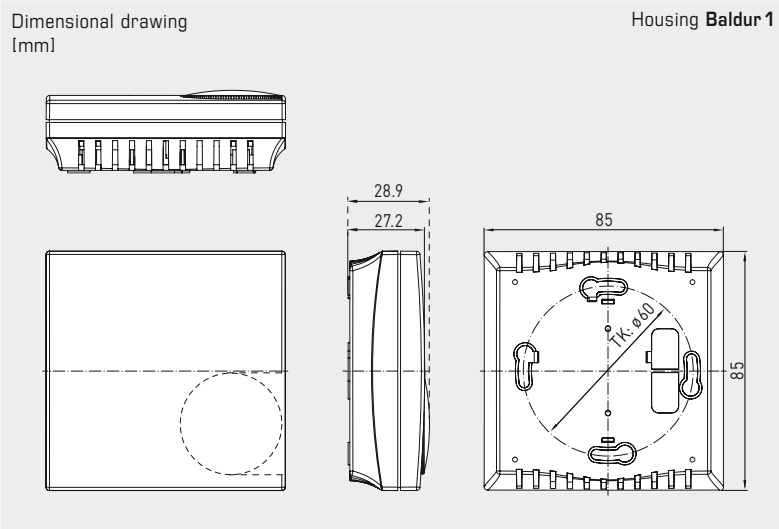
ACCESSORIES see table





S+S REGELTECHNIK

Room operating temperature sensor , on-wall,
for temperature, dew point,
calibratable, with Modbus connection



RTM1-Modbus
with display



RTM1-Modbus-P
with display and
potentiometer



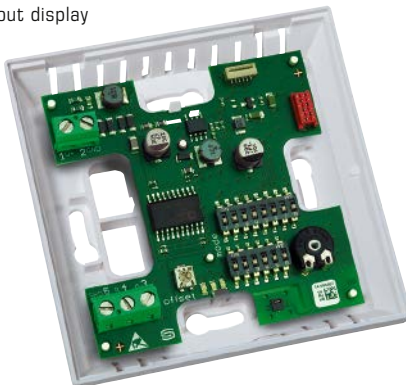
RTM1-Modbus-P
with potentiometer



RTM1-Modbus
with display



RTM1-Modbus
without display



THERMASGARD® RTM 1-Modbus Room operating temperature sensor

Type/ WG01	Measuring Range	Output	Equipment	Display	Item No.	Price
RTM 1-Modbus					IP30	
RTM1-Modbus	0...+50 °C	Modbus	-		1101-42A6-0000-000	118,68 €
RTM1-Modbus LCD	0...+50 °C	Modbus	-	■	1101-42A6-2000-000	175,72 €
RTM 1-P-Modbus					IP30	
RTM1-Modbus P	0...+50 °C	Modbus	potentiometer		1101-42A6-0001-005	156,03 €
RTM1-Modbus P LCD	0...+50 °C	Modbus	potentiometer	■	1101-42A6-2001-005	281,00 €
Note:	System of units SI (default) or imperial (can be changed via Modbus).					
ACCESSORIES						
KA2-Modbus	Communication adapter (USB/RS485) for system connection				1906-1200-0000-100	220,41 €
LA-Modbus	Line termination device (with terminating resistor) as an active bus termination				1906-1300-0000-100	82,20 €

Outside temperature / wet room temperature measuring transducers, calibratable, with Modbus connection

Calibratable outside temperature measurement transducer **THERMASGARD® ATM2-Modbus-T3**, with Modbus connection, in an impact-resistant plastic housing with quick-locking screws, optionally with /without display, measures temperature (-50...+150 °C). International system of units **SI** (default) can be changed to **imperial** (via Modbus).

The on-wall sensor is used to detect the temperature in gaseous media. It is used outside or in wet rooms, in cold storage buildings and greenhouses, in the industrial sector and in agriculture. Installation on outside walls is preferably performed on the north side or in a protected place. In case of direct solar irradiation, we recommend using our sun and ball-impact protection hood **WS01** or **WS04** (accessories).

Innovative Modbus sensor with galvanically separated RS485 Modbus interface, selectable bus termination resistance, DIP switch for setting the bus parameters and bus address in current-free state, internal LEDs for telegram status display, two separate push-in terminals and large three-line display (illuminated, with customised programming in the 7-segment range and dot-matrix range). Uses **internal diagnostics** to detect sensor breakage or sensor short circuit as errors. The error messages can be retrieved via Modbus and are shown on the display. The sensor is factory-calibrated; an environmental precision adjustment by an expert is possible.

ATM2-Modbus-T3

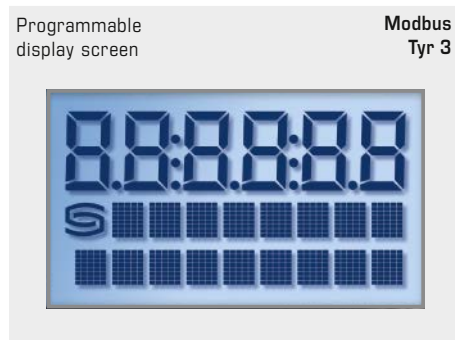
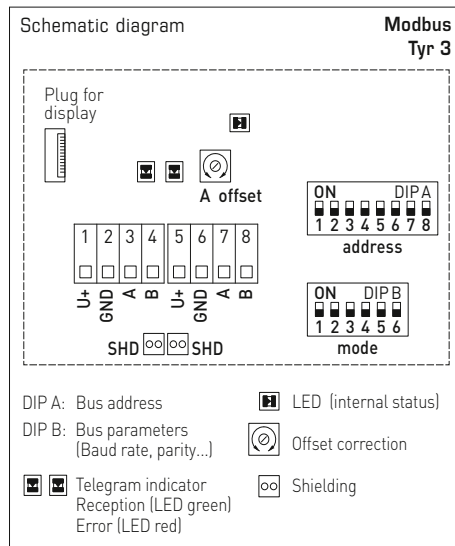


Device variant with **M12 connector** (optional on request)



TECHNICAL DATA

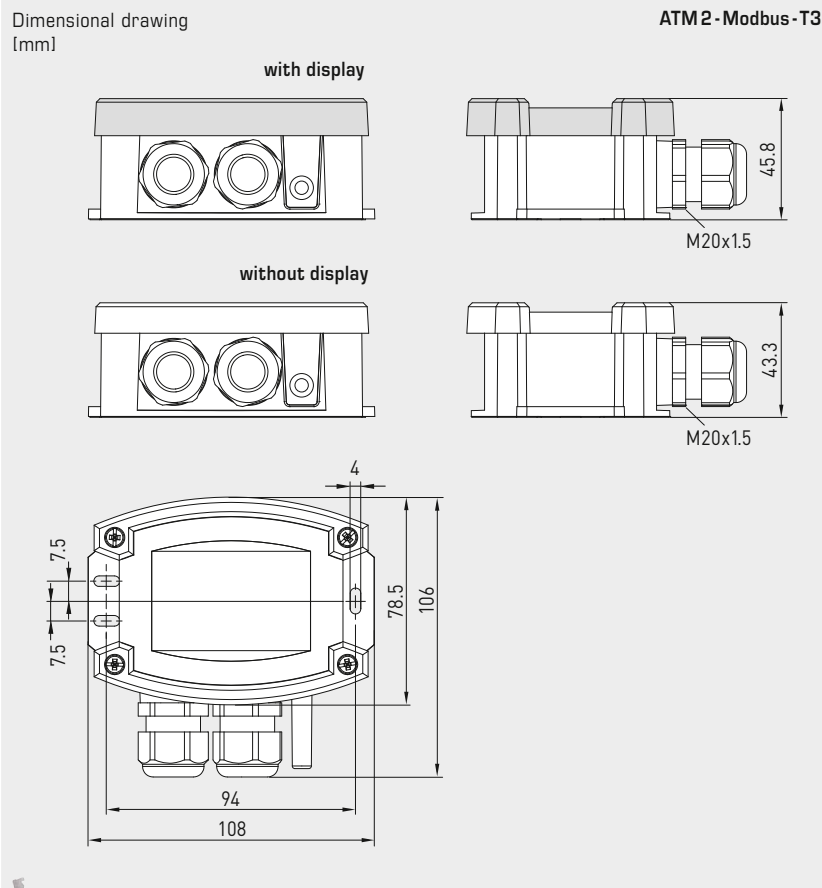
Voltage supply:	24 V AC (±20%); 15...36 V DC
Power consumption:	< 1.2 W / 24 V DC; < 1.8 VA / 24 V AC
System of units:	SI (default) or Imperial (switchable via Modbus)
Data points:	Temperature [°C] [°F]
Sensor:	Pt1000, DIN EN 60751, class B
Measuring range:	-50...+150 °C
Deviation, temperature:	typically ± 0.2 K at +25 °C
Zero point offset:	± 10 °C
Ambient temperature:	Measuring transducer -30...+70 °C
Medium:	clean air and non-aggressive, non-combustible gases
Bus protocol:	Modbus (RTU mode), address range 0... 247 selectable
Baud rate:	9600, 19200, 38400 Baud
Signal filtering:	0.3 s / 1 s / 10 s
Housing:	plastic, UV-resistant, material polyamide, 30% glass-globe reinforced, with quick-locking screws (slotted / Phillips head combination), colour traffic white (similar to RAL 9016), housing cover for display is transparent!
Housing dimensions:	108 x 78.5 x 43.3 mm (Tyr 3 without display) 108 x 78.5 x 45,8 mm (Tyr 3 with display)
Cable connection:	cable gland , plastic (2x M20 x 1.5; with strain relief, exchangeable, inner diameter 8 - 13 mm) or M12 connector according to DIN EN 61076-2-101 (optional on request)
Electrical connection:	0.2 - 1.5 mm², using push-in terminals
Process connection:	by screws
Permissible air humidity:	< 95% RH, non-precipitating air
Protection class:	III (according to EN 60 730)
Protection type:	IP 65 (according to EN 60 529)
Standards:	CE conformity, electromagnetic compatibility according to EN 61326, according to EMC Directive 2014 / 30 / EU
Features:	Display with illumination , three-line, programmable, cutout approx. 51 x 29 mm (W x H), for displaying the actual temperature, error message or an individually programmable display value
Internal diagnostics:	Error 1 at sensor breakage Error 2 at sensor short circuit





Wireless
W-Modbus
→ Onlineshop

Outside temperature / wet room
temperature measuring transducers, calibratable,
with Modbus connection



ATM 2 - Modbus - T3
with display



THERMASGARD® ATM 2 - Modbus - T3 Outside temperature / wet room temperature measuring transducers

Type / WG01	Sensor	Output	Display	Item No.	Price
ATM 2 - Modbus - T3					
ATM2-Modbus-T3	Pt1000	Modbus		1101-12C6-0000-000	172,41 €
ATM2-Modbus-T3 LCD	Pt1000	Modbus	■	1101-12C6-4000-000	228,25 €
Optional:	Cable connection with M12 connector according to DIN EN 61076-2-101			on request	
Note:	System of units SI (default) or imperial (can be changed via Modbus).				
ACCESSORIES					
KA2-Modbus	Communication adapter (with USB and RS485 interface) for system connection (incl. quick-start software)			1906-1200-0000-100	220,41 €
LA-Modbus	Line termination device (with terminating resistor) as an active bus termination of RS485 networks			1906-1300-0000-100	82,20 €
WS-01	Sun and ball-impact protection hood , 184 x 180 x 80 mm, stainless steel V2A (1.4301)			7100-0040-2000-000	32,72 €
WS-04	Weather and sun protection hood , 130 x 180 x 135 mm, stainless steel V2A (1.4301)			7100-0040-7000-000	38,61 €
For further information, see last chapter Accessories!					

Immersion / screw-in / duct temperature measuring transducer, calibratable, with Modbus connection or W-Modbus (wireless)

S+S REGELTECHNIK

Patented quality product (Immersion sensor patent no. DE 10 2012 017 500.0)

Calibratable temperature measuring transducer with sensor tube **THERMASGARD® TM65-Modbus-T3**, with Modbus connection, in an impact-resistant plastic housing with quick-locking screws, stainless steel-protective tube (50 - 400 mm), optionally with /without display, measures temperature (-50...+150 °C). International system of units **SI** (default) can be changed to **imperial** (via Modbus). With **wModbus** device version, the W-Modbus (wireless) replaces the RTU cable; the BMS connection is radio-based using a W-Modbus gateway.

The duct sensor is used to detect the temperature in liquid or gaseous media. Use the stainless steel immersion sleeves for aggressive media. It is used in heating engineering, ventilation and air conditioning ducts, pipes, storage systems, compact district heating stations, warm and cold water systems, oil and lubrication cycle systems, machine and systems engineering and the entire industry sector.

Innovative Modbus sensor with galvanically isolated RS485 Modbus interface, switchable bus terminating resistor, DIP switch for setting in de-energised state, internal LEDs for telegram status indication, Push terminals and large three-line display (illuminated, individually programmable). The sensor is factory-calibrated; an environmental precision adjustment by an expert is possible.

TM 65 -Modbus-T3
without display



TM 65 -wModbus
without display



TECHNICAL DATA

Voltage supply:	24 V AC (± 20 %); 15...36 V DC
Power consumption:	< 1.2 W / 24 V DC; < 1.8 VA / 24 V AC
System of units:	SI (default) or Imperial (switchable via Modbus)
Data points:	Temperature [°C] [°F]
Sensor:	Pt1000, DIN EN 60751, class B (Perfect Sensor Protection)
Measuring range:	-50...+150 °C
Deviation, temperature:	typically ± 0.2 K at +25 °C
Zero point offset:	± 10 °C
Ambient temperature:	Measuring transducer -30...+70 °C
Medium:	depending on selected immersion sleeve
Communication:	Modbus RTU (RS485 interface for RTU cable) or W-Modbus (Wireless Modbus with 2.4 GHz ISM)
Bus protocol:	Modbus (RTU mode), address range 0... 247 selectable
Baud rate:	9600, 19200, 38400 Baud (with RTU cable)
Signal filtering:	0.3 s / 1 s / 10 s
Protective tube:	stainless steel, V4A (1.4571), Ø = 6 mm, inserted length (EL) = 50 - 400 mm (see table)
Housing:	plastic, UV-resistant, material polyamide, 30 % glass-globe reinforced, with quick-locking screws (slotted / Phillips head combination), colour traffic white (similar to RAL 9016), housing cover for display is transparent!
Housing dimensions:	108 x 78.5 x 43.3 mm (Tyr 3 without display) 108 x 78.5 x 45,8 mm (Tyr 3 with display)
Cable connection:	cable gland , plastic (M20 x 1.5; with strain relief, exchangeable, inner diameter 8 - 13 mm) or M12 connector according to DIN EN 61076-2-101 (optional on request)
Electrical connection:	0.2 - 1.5 mm², using push-in terminals
Permissible air humidity:	< 95 % RH, non-precipitating air
Protection class:	III (according to EN 60 730)
Protection type:	IP 65 (according to EN 60 529)
Standards:	CE conformity, electromagnetic compatibility according to EN 61326, according to EMC Directive 2014 / 30 / EU, Radio Directive ETSI 300 328 V2.2.2
Features:	Display with illumination , three-line, programmable, cutout approx. 51 x 29 mm (W x H), for displaying the actual temperature, error message or an individually programmable display value
Internal diagnostics:	Error 1 at sensor breakage Error 2 at sensor short circuit

Programmable display screen **Tyr 3**



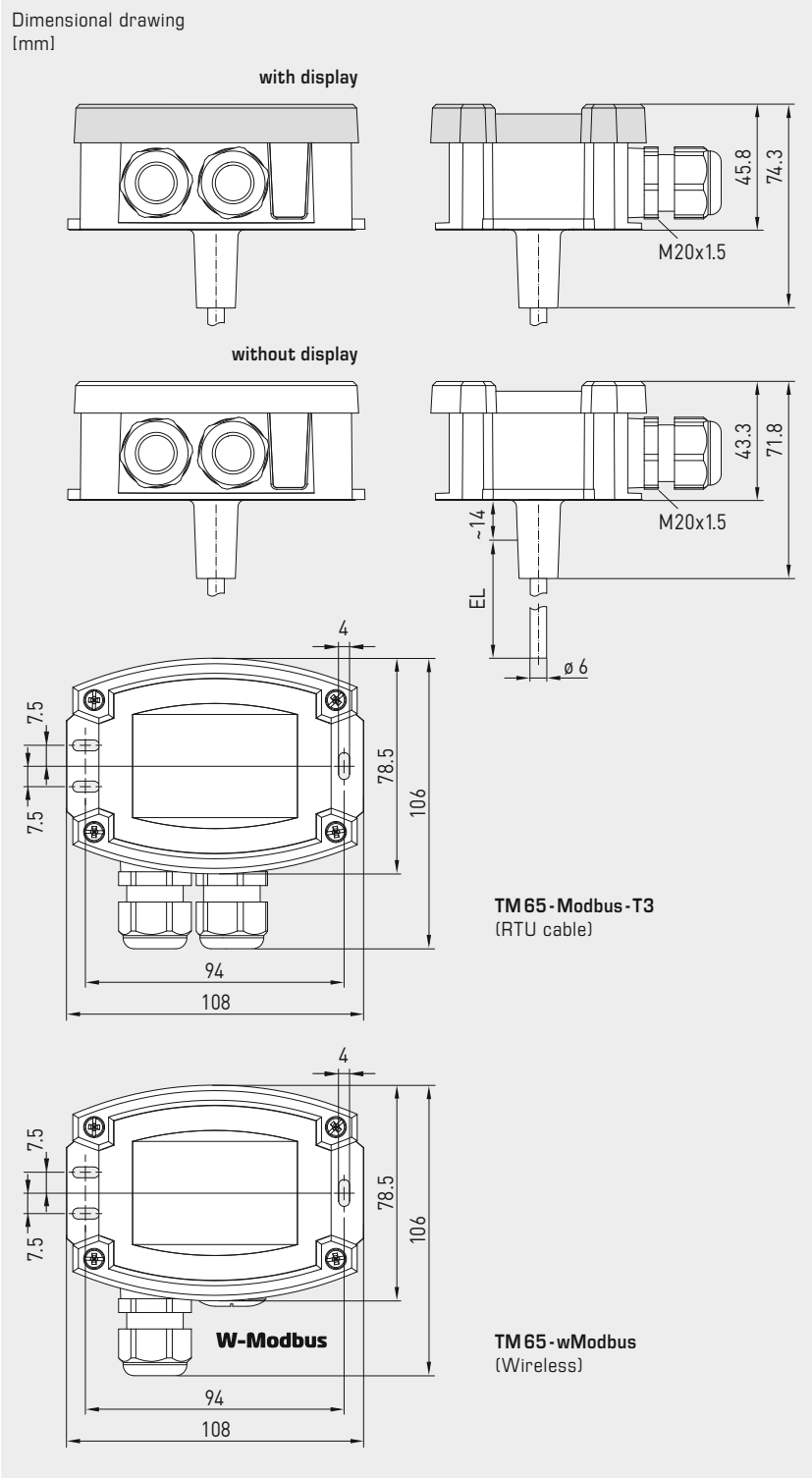


NEW

S+S REGELTECHNIK

THERMASGARD® TM 65 - Modbus - T3 THERMASGARD® TM 65 - wModbus

Immersion / screw-in / duct temperature measuring transducer, calibratable, with Modbus connection or W-Modbus (wireless)



Device version with **M12 connector** (optional on request)

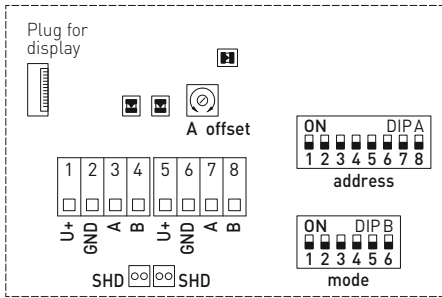


High-performance encapsulation against vibration, mechanical stress and humidity

PS-PROTECTION
PERFECT SENSOR PROTECTION

Immersion / screw-in / duct temperature measuring transducer,
 calibratable, with Modbus connection or W-Modbus (wireless)

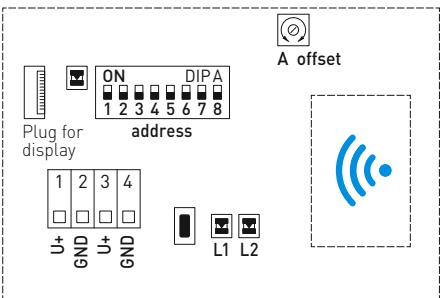
Schematic diagram (Tyr3) Modbus (RTU cable)



- DIP A: Bus address
- DIP B: Bus parameters (Baud rate, parity...)
- Telegram indicator Reception (LED green) Error (LED red)
- LED (internal status)
- Offset correction
- Shielding



Schematic diagram (Tyr3) W-Modbus (Wireless)



- DIP A: Bus address
- LED: Telegram indicator
- Button: Teach-in key
- LED 1: Network Status
- LED 2: Connection quality





NEW

THERMASGARD® TM 65 - Modbus - T3

THERMASGARD® TM 65 - wModbus

S+S REGELTECHNIK

Immersion / screw-in / duct temperature measuring transducer, calibratable, with Modbus connection or W-Modbus (wireless)

THERMASGARD® TM 65 - Modbus - T3		Temperature transmitter (basic device) with Modbus connection (RTU cable)			
Type / WG01	Output	Installation length (EL)	Display	Item no.	Price
TM65 - Modbus - T3					
TM65-Modbus-T3 50mm	Modbus	50 mm		1101-7236-0010-000	172,05 €
TM65-Modbus-T3 50mm LCD	Modbus	50 mm	■	1101-7236-4010-000	227,88 €
TM65-Modbus-T3 100mm	Modbus	100 mm		1101-7236-0020-000	172,35 €
TM65-Modbus-T3 100mm LCD	Modbus	100 mm	■	1101-7236-4020-000	228,17 €
TM65-Modbus-T3 150mm	Modbus	150 mm		1101-7236-0030-000	172,58 €
TM65-Modbus-T3 150mm LCD	Modbus	150 mm	■	1101-7236-4030-000	228,43 €
TM65-Modbus-T3 200mm	Modbus	200 mm		1101-7236-0040-000	172,81 €
TM65-Modbus-T3 200mm LCD	Modbus	200 mm	■	1101-7236-4040-000	228,64 €
TM65-Modbus-T3 250mm	Modbus	250 mm		1101-7236-0050-000	173,13 €
TM65-Modbus-T3 250mm LCD	Modbus	250 mm	■	1101-7236-4050-000	228,99 €
TM65-Modbus-T3 300mm	Modbus	300 mm		1101-7236-0060-000	173,96 €
TM65-Modbus-T3 300mm LCD	Modbus	300 mm	■	1101-7236-4060-000	229,77 €
TM65-Modbus-T3 350mm	Modbus	350 mm		1101-7236-0070-000	175,03 €
TM65-Modbus-T3 350mm LCD	Modbus	350 mm	■	1101-7236-4070-000	190,79 €
TM65-Modbus-T3 400mm	Modbus	400 mm		1101-7236-0080-000	176,12 €
TM65-Modbus-T3 400mm LCD	Modbus	400 mm	■	1101-7236-4080-000	232,00 €
Optional:	Cable connection with M12 connector according to DIN EN 61076-2-101				on request
Note:	System of units SI (default) or imperial (can be changed via Modbus).				
ACCESSORIES					
KA2-Modbus	Communication adapter (USB/RS485) for system connection			1906-1200-0000-100	220,41 €
LA-Modbus	Line termination device (with terminating resistor) as an active bus termination			1906-1300-0000-100	82,20 €

THERMASGARD® TM 65 - wModbus		Temperature measuring transducer (basic device) with W-Modbus (wireless)			
Type / WG01	Output	Installation length (EL)	Display	Item no.	Price
TM65 - wModbus					
TM65-WMODBUS 50MM	W-Modbus	50 mm		1101-723F-0010-000	212,05 €
TM65-WMODBUS 50MM LCD	W-Modbus	50 mm	■	1101-723F-4010-000	267,88 €
TM65-WMODBUS 100MM	W-Modbus	100 mm		1101-723F-0020-000	212,35 €
TM65-WMODBUS 100MM LCD	W-Modbus	100 mm	■	1101-723F-4020-000	268,17 €
TM65-WMODBUS 150MM	W-Modbus	150 mm		1101-723F-0030-000	212,58 €
TM65-WMODBUS 150MM LCD	W-Modbus	150 mm	■	1101-723F-4030-000	268,43 €
TM65-WMODBUS 200MM	W-Modbus	200 mm		1101-723F-0040-000	212,81 €
TM65-WMODBUS 200MM LCD	W-Modbus	200 mm	■	1101-723F-4040-000	268,64 €
TM65-WMODBUS 250MM	W-Modbus	250 mm		1101-723F-0050-000	213,13 €
TM65-WMODBUS 250MM LCD	W-Modbus	250 mm	■	1101-723F-4050-000	268,99 €
TM65-WMODBUS 300MM	W-Modbus	300 mm		1101-723F-0060-000	213,96 €
TM65-WMODBUS 300MM LCD	W-Modbus	300 mm	■	1101-723F-4060-000	269,77 €
TM65-WMODBUS 350MM	W-Modbus	350 mm		1101-723F-0070-000	215,03 €
TM65-WMODBUS 350MM LCD	W-Modbus	350 mm	■	1101-723F-4070-000	230,79 €
TM65-WMODBUS 400MM	W-Modbus	400 mm		1101-723F-0080-000	216,12 €
TM65-WMODBUS 400MM LCD	W-Modbus	400 mm	■	1101-723F-4080-000	272,00 €
Optional:	Cable connection with M12 connector according to DIN EN 61076-2-101				on request
Note:	System of units SI (default) or imperial (can be changed via Modbus).				
ACCESSORIES					
GW-wModbus	Gateway with W-Modbus module, for radio-based connection to Modbus networks			1801-1211-1101-000	229,00 €

Immersion / screw-in / duct temperature measuring transducer, calibratable, with Modbus connection or W-Modbus (wireless)

S+S REGELTECHNIK

One basic device in four variants ...



PATENTED

TM 65 - Modbus - T3 + TH 08 - ms / xx

Immersion / screw-in temperature sensor with immersion sleeve, nickel-plated / galvanised

TM 65 - Modbus - T3 + TH 08 - VA / xx

Immersion / screw-in temperature sensor with immersion sleeve, stainless steel, V4A

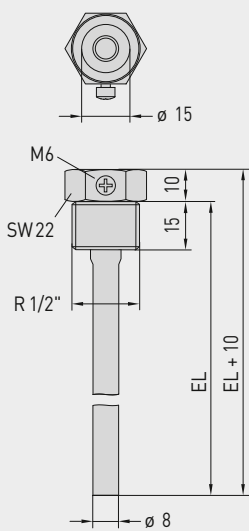
TM 65 - Modbus - T3 + TH 08 - VA / xx / 90

Immersion / screw-in temperature sensor with immersion sleeve with neck tube, stainless steel, V4A

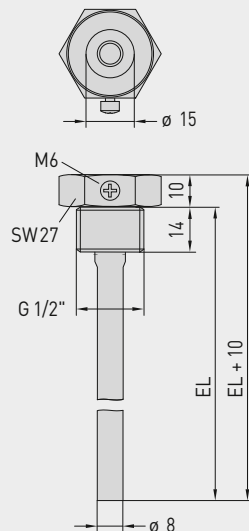
TM 65 - Modbus - T3 + MF - 15 - K

Duct temperature sensor with mounting flange, plastic

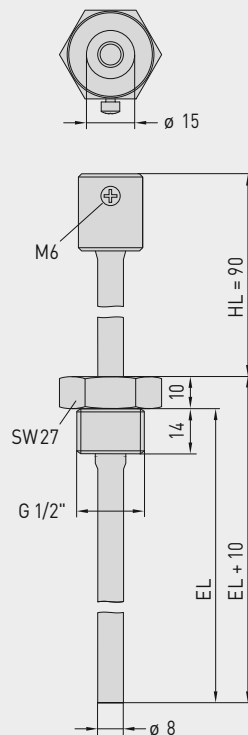
Dimensional drawing [mm]
TH 08 - ms / xx



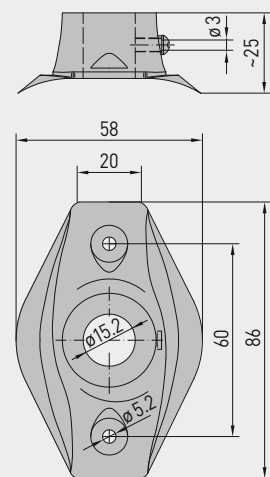
Dimensional drawing [mm]
TH 08 - VA / xx



Dimensional drawing [mm]
TH 08 - VA / xx / 90



Dimensional drawing [mm]
MF - 15 - K





NEW

THERMASGARD® TM 65 - Modbus -T3
THERMASGARD® TM 65 -wModbus

S+S REGELTECHNIK

Immersion / screw-in / duct temperature measuring transducer,
calibratable, with Modbus connection or W-Modbus (wireless)

... through combination with accessories:



TH08-ms/xx

Immersion sleeve,
brass, nickel-plated / galvanised,
thread-sealing, conical,
according to DIN 10226



TH08-VA/xx

Immersion sleeve,
stainless steel, V4A,
flat-sealing, cylindrical,
according to DIN 228



TH08-VA/xx/90

Immersion sleeve with neck tube,
stainless steel, V4A,
flat-sealing, cylindrical,
according to DIN 228



MF-15-K

Mounting flange,
plastic

THERMASGARD® TH08 Immersion sleeve Ø 8 mm (Accessories)					
Type / WG01B	p _{max} (static)	T _{max}	Inserted Length (EL)	Item No.	Price
TH08-ms/xx	Brass nickel-plated / galvanised			without neck tube	
TH08-MS 50MM	10 bar	+150 °C	50 mm	7100-0011-0010-132	12,90 €
TH08-MS 100MM	10 bar	+150 °C	100 mm	7100-0011-0020-132	13,50 €
TH08-MS 150MM	10 bar	+150 °C	150 mm	7100-0011-0030-132	14,60 €
TH08-MS 200MM	10 bar	+150 °C	200 mm	7100-0011-0040-132	15,62 €
TH08-MS 250MM	10 bar	+150 °C	250 mm	7100-0011-0050-132	18,09 €
TH08-MS 300MM	10 bar	+150 °C	300 mm	7100-0011-0060-132	18,90 €
TH08-MS 350MM	10 bar	+150 °C	350 mm	7100-0011-0070-132	19,40 €
TH08-MS 400MM	10 bar	+150 °C	400 mm	7100-0011-0080-132	19,90 €
TH08-VA/xx	Stainless steel V4A (1.4571)			without neck tube	
TH08-VA 50MM	40 bar	+600 °C	50 mm	7100-0012-0010-132	22,24 €
TH08-VA 100MM	40 bar	+600 °C	100 mm	7100-0012-0020-132	24,50 €
TH08-VA 150MM	40 bar	+600 °C	150 mm	7100-0012-0030-132	26,50 €
TH08-VA 200MM	40 bar	+600 °C	200 mm	7100-0012-0040-132	27,80 €
TH08-VA 250MM	40 bar	+600 °C	250 mm	7100-0012-0050-132	34,60 €
TH08-VA 300MM	40 bar	+600 °C	300 mm	7100-0012-0060-132	36,20 €
TH08-VA 350MM	40 bar	+600 °C	350 mm	7100-0012-0070-132	36,90 €
TH08-VA 400MM	40 bar	+600 °C	400 mm	7100-0012-0080-132	37,90 €
TH08-VA/xx/90	Stainless steel V4A (1.4571)			with neck tube (90 mm)	
TH08-VA 50/90MM	40 bar	+600 °C	50 mm	7100-0012-0012-132	29,91 €
TH08-VA 100/90MM	40 bar	+600 °C	100 mm	7100-0012-0022-132	31,26 €
TH08-VA 150/90MM	40 bar	+600 °C	150 mm	7100-0012-0032-132	32,80 €
TH08-VA 200/90MM	40 bar	+600 °C	200 mm	7100-0012-0042-132	34,19 €
TH08-VA 250/90MM	40 bar	+600 °C	250 mm	7100-0012-0052-132	35,83 €
TH08-VA 300/90MM	40 bar	+600 °C	300 mm	7100-0012-0062-132	38,84 €
Note:	inner diameter of socket 15.0 mm For further information see last chapter!				
Mounting flange (Accessories)					
Type / WG01B				Item No.	Price
MF					
MF-15-K	Mounting flange, plastic, 56,8x84,3mm, Ø 15,2mm tube gland, T _{max} +100°C			7100-0032-0000-000	6,30 €
Note:	For information see last chapter!				

Mean value temperature measuring transducers,
incl. mounting flange, calibratable,
with Modbus connection

S+S REGELECHNIK

Calibratable mean value temperature measuring transducer **THERMASGARD® MWTM-Modbus-T3**, with Modbus connection, in an impact-resistant plastic housing with quick-locking screws, with flexible sensor rod (0.4...20m, fully active) in a robust protective plastic-coated copper tube, incl. mounting flange, optionally with /without display, measures temperature (-50...+150 °C). International system of units **SI** (default) can be changed to **imperial** (via Modbus).

The rod sensor is used to detect the mean temperature (mean value) in gaseous media. It is used in ventilation and air conditioning ducts over the entire cross-section or on a defined length (laid along a meandering route, it uniformly detects the surrounding temperature). For proper mounting of the rod, mounting clamps **MK-05-M** (accessories) are available.

Innovative Modbus sensor with galvanically separated RS485 Modbus interface, selectable bus termination resistance, DIP switch for setting the bus parameters and bus address in current-free state, internal LEDs for telegram status display, two separate push-in terminals and large three-line display (illuminated, with customised programming in the 7-segment range and dot-matrix range). Uses **internal diagnostics** to detect sensor breakage or sensor short circuit as errors. The error messages can be retrieved via Modbus and are shown on the display. The sensor is factory-calibrated; an environmental precision adjustment by an expert is possible.

MWTM-Modbus-T3
Rod length
3m / 6m

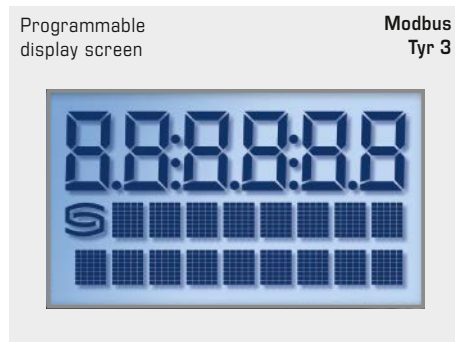
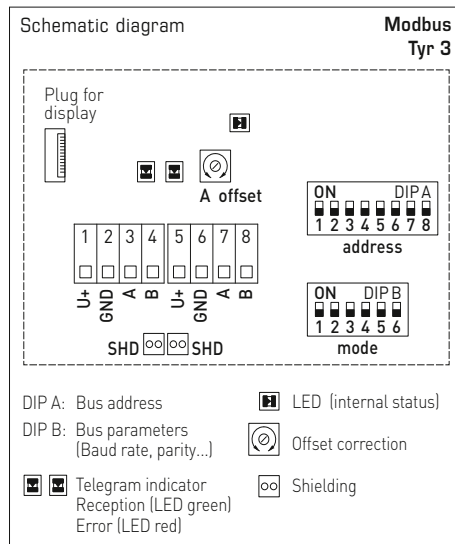


Device version
with **M12 connector**
(optional on request)



TECHNICAL DATA

Voltage supply:	24 V AC (±20%); 15...36 V DC
Power consumption:	< 1.2 W / 24 V DC; < 1.8 VA / 24 V AC
System of units:	SI (default) or Imperial (switchable via Modbus)
Data points:	Temperature [°C] [°F]
Sensor:	Pt1000, DIN EN 60751, class B
Measuring range:	-50...+150 °C; T_{min} -50 °C, T_{max} +80 °C
Deviation, temperature:	typically ±0.2 K at +25 °C
Zero point offset:	±10 °C
Ambient temperature:	Measuring transducer -30...+70 °C
Medium:	clean air and non-aggressive, non-combustible gases
Bus protocol:	Modbus (RTU mode), address range 0... 247 selectable
Baud rate:	9600, 19200, 38400 Baud
Signal filtering:	0.3 s / 1 s / 10 s
Sensor:	active across the entire length (averaging)
Rod material:	protective tube made from copper, plastic-coated , with anti-kink spring and sleeve, stainless steel V4A (1.4571)
Rod dimensions:	Ø = 5.0 mm, nominal length (NL) = 0.4 m / 3 m / 6 m (nominal length optional up to max. 20 m)
Rod laying:	Bending radius: >35 mm Vibration load: ≤0.5 g Tensile load: <480 N
Housing:	plastic, UV-resistant, material polyamide, 30% glass-globe reinforced, with quick-locking screws (slotted / Phillips head combination), colour traffic white (similar to RAL 9016), housing cover for display is transparent!
Housing dimensions:	108 x 78.5 x 43.3 mm (Tyr 3 without display) 108 x 78.5 x 45,8 mm (Tyr 3 with display)
Cable connection:	cable gland , plastic (2x M20 x 1.5; with strain relief, exchangeable, inner diameter 8 - 13 mm) or M12 connector according to DIN EN 61076-2-101 (optional on request)
Electrical connection:	0.2 - 1.5 mm ² , using push-in terminals
Process connection:	by mounting flange, plastic (galvanised steel optional, see accessories) and mounting clamps MK-05-M
Permissible air humidity:	<95% RH, non-precipitating air
Protection class:	III (according to EN 60 730)
Protection type:	IP 65 (according to EN 60 529)
according to:	CE conformity, electromagnetic compatibility according to EN 61326, according to EMC Directive 2014 / 30 / EU
Features:	Display with illumination , three-line, programmable, cutout approx. 51 x 29 mm (W x H), for displaying the actual temperature or an individually programmable display value
Internal diagnostics:	Error 1 at sensor breakage Error 2 at sensor short circuit



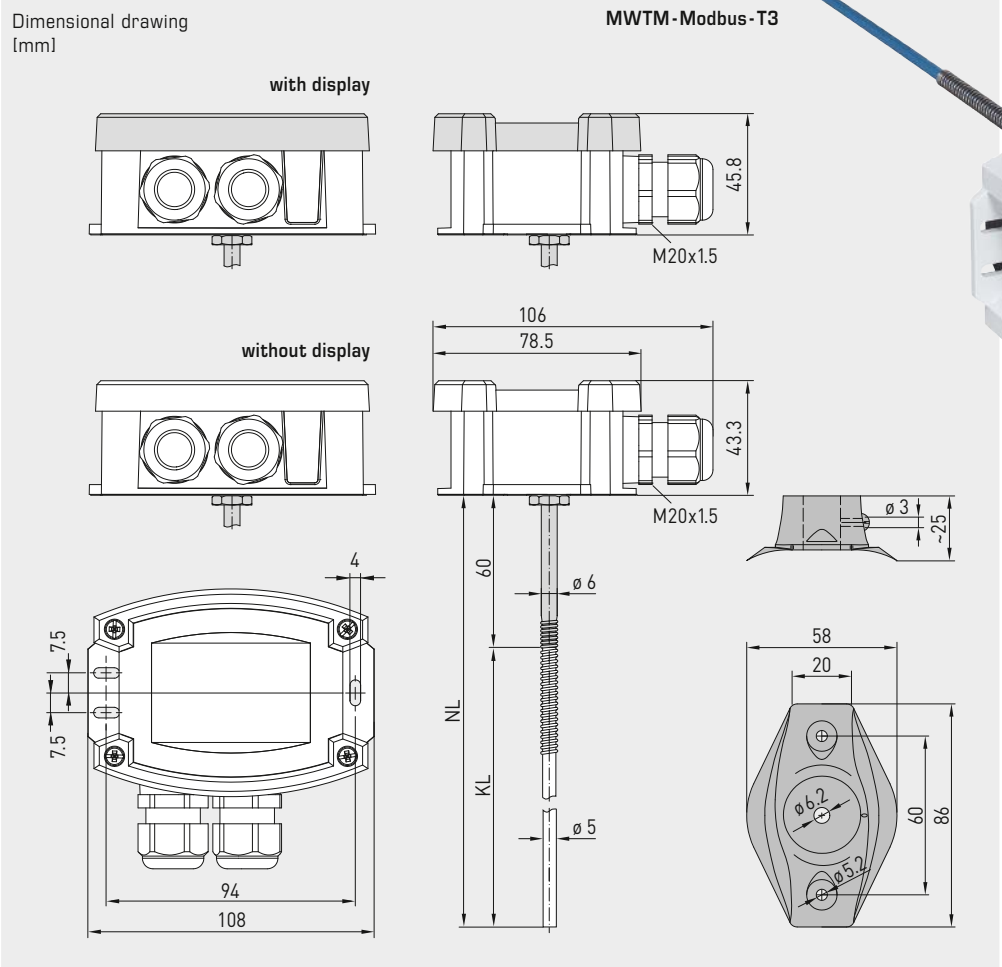


S+S REGELTECHNIK

Wireless
W-Modbus
→ Onlineshop

THERMASGARD® **MWTM-Modbus-T3**

Mean value temperature measuring transducers,
incl. mounting flange, calibratable,
with Modbus connection



MWTM-Modbus-T3

Rod length
0.4 m



MF-06-K
Mounting flange,
plastic
(included in the scope of delivery)



MK-05-M

Galvanised steel
mounting clamps
(optional)



MF-06-M

Mounting flange,
metal
(optional)



KRD-04

Capillary tube
gland bracket, plastic
(optional)



THERMASGARD® MWTM-Modbus-T3 Mean value temperature measuring transducers

Type / WG01	Sensor	Output	Rod length (NL)	Display	Item No.	Price
MWTM-Modbus-T3					IP65	
MWTM-Modbus-T3 0,4m	Pt1000	Modbus	0.4 m		1101-3266-0080-000	247,56 €
MWTM-Modbus-T3 0,4m LCD	Pt1000	Modbus	0.4 m	■	1101-3266-4080-000	302,93 €
MWTM-Modbus-T3 3m	Pt1000	Modbus	3.0 m		1101-3266-0230-000	302,12 €
MWTM-Modbus-T3 3m LCD	Pt1000	Modbus	3.0 m	■	1101-3266-4230-000	358,04 €
MWTM-Modbus-T3 6m	Pt1000	Modbus	6.0 m		1101-3266-0260-000	341,29 €
MWTM-Modbus-T3 6m LCD	Pt1000	Modbus	6.0 m	■	1101-3266-4260-000	397,56 €
Extra charge:	Per meter sensor cable (from 6 m to max. 20 m)				on request	
	Cable connection with M12 connector according to DIN EN 61076-2-101				on request	

Note: System of units **SI** (default) or **imperial** (can be changed via Modbus).

ACCESSORIES

KA2-Modbus	Communication adapter (USB/RS485) for system connection	1906-1200-0000-100	220,41 €
LA-Modbus	Line termination device (with terminating resistor) as an active bus termination	1906-1300-0000-100	82,20 €
MF-06-K	Mounting flange, plastic (included in the scope of delivery)	7100-0030-1000-000	6,30 €
MF-06-M	Mounting flange, metal, galvanised steel, Ø = 35 mm	7100-0030-5000-100	12,95 €
KRD-04	Capillary tube gland bracket, plastic	7100-0030-7000-000	9,18 €
MK-05-M	Galvanised steel mounting clamps (6 pieces)	7100-0034-0000-000	10,18 €

For further information, see last chapter Accessories!

Sleeve sensor with temperature measuring transducer, calibratable, with Modbus connection

Calibratable sleeve temperature measuring transducer **THERMASGARD® HFTM-Modbus-T3**, with Modbus connection, in an impact-resistant plastic housing with quick-locking screws, cable sensor with a stainless steel sleeve, optionally with /without display, measures temperature (-50...+150 °C). International system of units **SI** (default) can be changed to **imperial** (via Modbus).

The sleeve sensor is used to detect the temperature in liquid and gaseous media. It is used as a duct sensor or, if installed in immersion sleeve **THE** (accessories), as an immersion and screw-in sensor in liquids.

Innovative Modbus sensor with galvanically separated RS485 Modbus interface, selectable bus termination resistance, DIP switch for setting the bus parameters and bus address in current-free state, internal LEDs for telegram status display, two separate push-in terminals and large three-line display (illuminated, with customised programming in the 7-segment range and dot-matrix range). Uses **internal diagnostics** to detect sensor breakage or sensor short circuit as errors. The error messages can be retrieved via Modbus and are shown on the display. The sensor is factory-calibrated; an environmental precision adjustment by an expert is possible.

HFTM-Modbus-T3

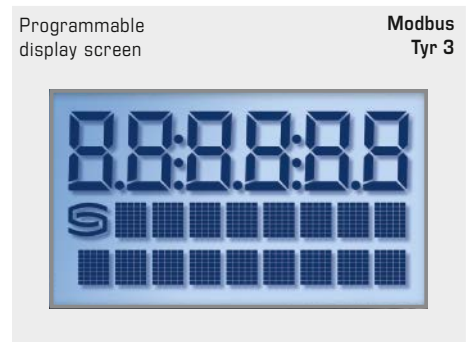
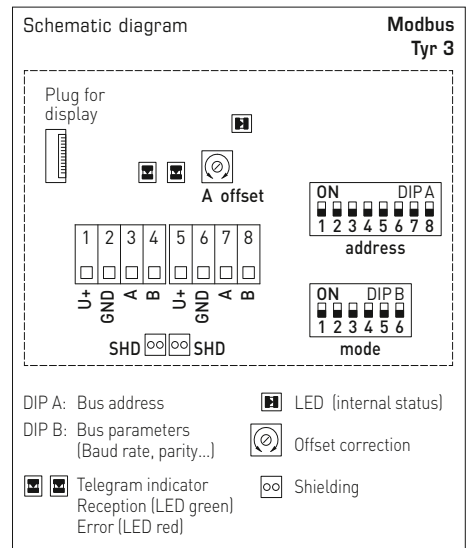


Device version with **M12 connector** (optional on request)



TECHNICAL DATA

Voltage supply:	24 V AC (± 20%); 15...36 V DC
Power consumption:	< 1.2 W / 24 V DC; < 1.8 VA / 24 V AC
System of units:	SI (default) or Imperial (switchable via Modbus)
Data points:	Temperature [°C] [°F]
Sensor:	Pt1000, DIN EN 60751, class B (Perfect Sensor Protection)
Measuring range:	-50...+150 °C
Deviation, temperature:	typically ± 0.2 K at +25 °C
Zero point offset:	± 10 °C
Ambient temperature:	Measuring transducer -30...+70 °C
Medium:	clean air and non-aggressive, non-combustible gases; liquids depending on selected immersion sleeve (accessory)
Bus protocol:	Modbus (RTU mode), address range 0... 247 selectable
Baud rate:	9600, 19200, 38400 Baud
Signal filtering:	0.3 s / 1 s / 10 s
Sensor protection:	Sensor sleeve made from stainless steel V4A (1.4571), Ø = 6 mm, nominal length (NL) = 50 mm (optional 30...400 mm)
Sensor cable:	silicone, SiHF, 2x 0.25mm ² ; cable length (KL) = 1.5m (other lengths and jacket materials, e.g. PTFE or glass fibre with steel mesh, available on request)
Housing:	plastic, UV-resistant, material polyamide, 30% glass-globe reinforced, with quick-locking screws (slotted / Phillips head combination), colour traffic white (similar to RAL 9016), housing cover for display is transparent!
Housing dimensions:	108 x 78.5 x 43.3 mm (Tyr 3 without display) 108 x 78.5 x 45.8 mm (Tyr 3 with display)
Cable connection:	cable gland , plastic (2x M20 x 1.5; with strain relief, exchangeable, inner diameter 8 - 13 mm) or M12 connector according to DIN EN 61076-2-101 (optional on request)
Electrical connection:	0.2 - 1.5 mm ² , using push-in terminals
Permissible air humidity:	< 95% RH, non-precipitating air
Protection class:	III (according to EN 60 730)
Protection type housing:	IP65 (according to EN 60 529)
Protection type sensor:	IP65 (according to EN 60 529) sleeve humidity-tight (standard) IP68 (according to EN 60 529) sleeve water-tight (optional) IP54 (according to EN 60 529) with glass fibre cable (optional)
Standards:	CE conformity, electromagnetic compatibility according to EN 61326, according to EMC Directive 2014 / 30 / EU
Features:	Display with illumination , three-line, programmable, cutout approx. 51 x 29 mm (W x H), for displaying the actual temperature, error message or an individually programmable display value
Internal diagnostics:	Error 1 at sensor breakage Error 2 at sensor short circuit



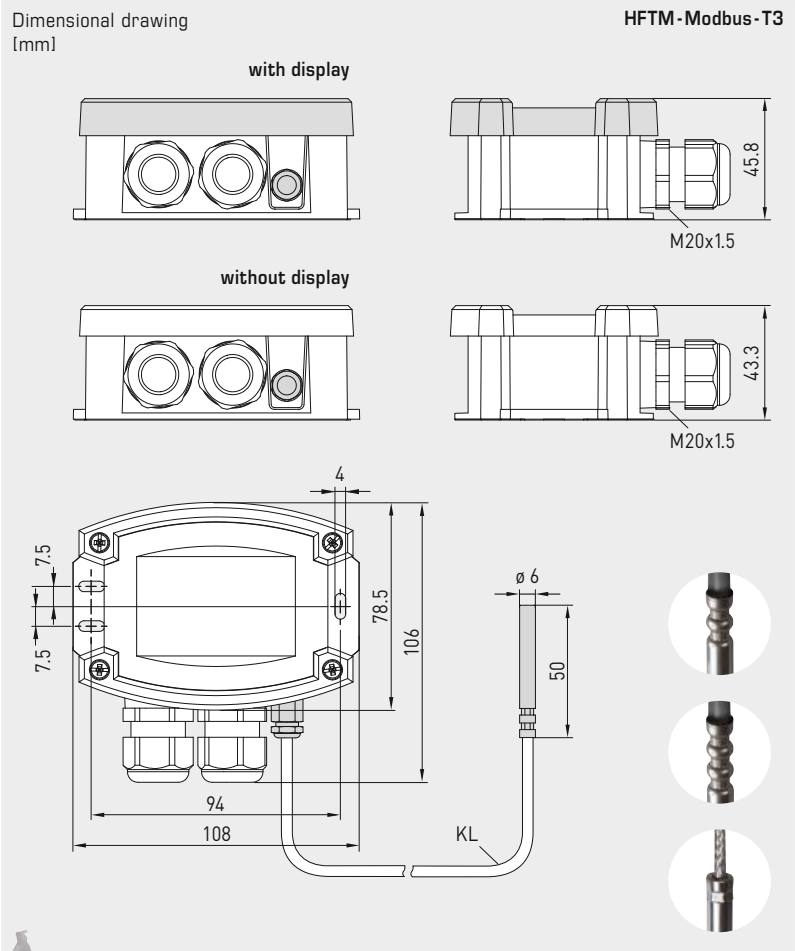


Wireless
W-Modbus
→ Onlineshop

S+S REGELTECHNIK

THERMASGARD® HFTM - Modbus - T3

Sleeve sensor with temperature measuring transducer, calibratable, with Modbus connection



HFTM - Modbus - T3
with display



IP 65 (standard)
humidity-tight

IP 68 (optional)
water-tight
Perfect Sensor Protection

IP 54 (optional)
with glass fibre cable



High-performance encapsulation against vibration, mechanical stress and humidity



THERMASGARD® HFTM - Modbus - T3 Sleeve sensor with temperature measuring transducer

Type / WG01	Sensor	Output	Type	Display	Item No.	Price
HFTM - Modbus - T3						
HFTM-Modbus-T3	Pt1000	Modbus	Remote sensor		1101-62A6-0210-000	176,65 €
HFTM-Modbus-T3 LCD	Pt1000	Modbus	Remote sensor	■	1101-62A6-4210-000	232,53 €
Extra charge:	Protection type IP 68 (sensor sleeve watertight compound-filled) per running metre of connecting lead (silicone/PTFE/glass fibre) other protection sleeve lengths optional				on request	3,50 €
	Cable connection with M12 connector according to DIN EN 61076-2-101				on request	
Note:	System of units SI (default) or imperial (can be changed via Modbus).					

ACCESSORIES

KA2-Modbus	Communication adapter (USB/RS485) for system connection				1906-1200-0000-100	220,41 €
LA-Modbus	Line termination device (with terminating resistor) as an active bus termination				1906-1300-0000-100	82,20 €
THE-xx	Immersion sleeve, stainless steel V4A (1.4571) or nickel-plated brass, Ø=9mm, inner diameter of socket 5.2mm, with adjusting screw M12 x1.5					
For further information, see last chapter Accessories!						

**Surface-contact temperature measuring transducer / pipe surface-contact sensor
incl. strap, compact variant, calibratable,
with Modbus connection**

Calibratable surface-contact temperature measuring transducer (compact variant)
THERMASGARD® ALTM1 - Modbus - T3 with Modbus connection, in an impact-resistant plastic housing with quick-locking screws, pipe feeder, incl. strap, optionally with/without display, measures temperature (-50...+150 °C). International system of units **SI** (default) can be changed to **imperial** (via Modbus).

The pipe surface-contact sensor is used to detect the temperature on lines, pipes (e.g., cold and warm water) or on heating sections for heating control.

Innovative Modbus sensor with galvanically separated RS485 Modbus interface, selectable bus termination resistance, DIP switch for setting the bus parameters and bus address in current-free state, internal LEDs for telegram status display, two separate push-in terminals and large three-line display (illuminated, with customised programming in the 7-segment range and dot-matrix range). Uses **internal diagnostics** to detect sensor breakage or sensor short circuit as errors. The error messages can be retrieved via Modbus and are shown on the display. The sensor is factory-calibrated; an environmental precision adjustment by an expert is possible.

ALTM1 - Modbus - T3

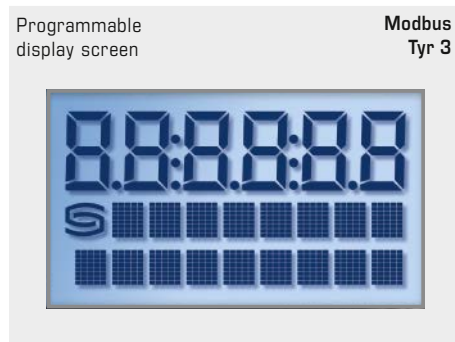
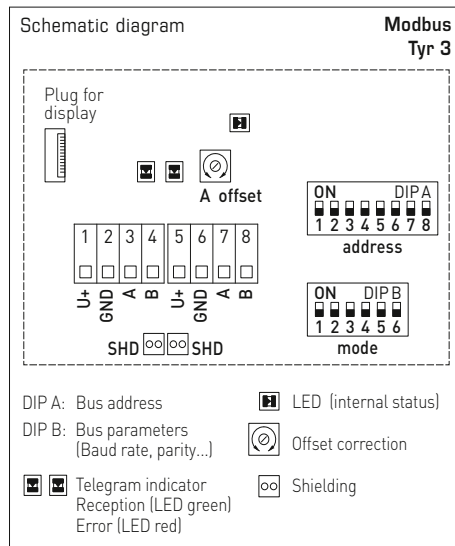


Device version with **M12 connector** (optional on request)



TECHNICAL DATA

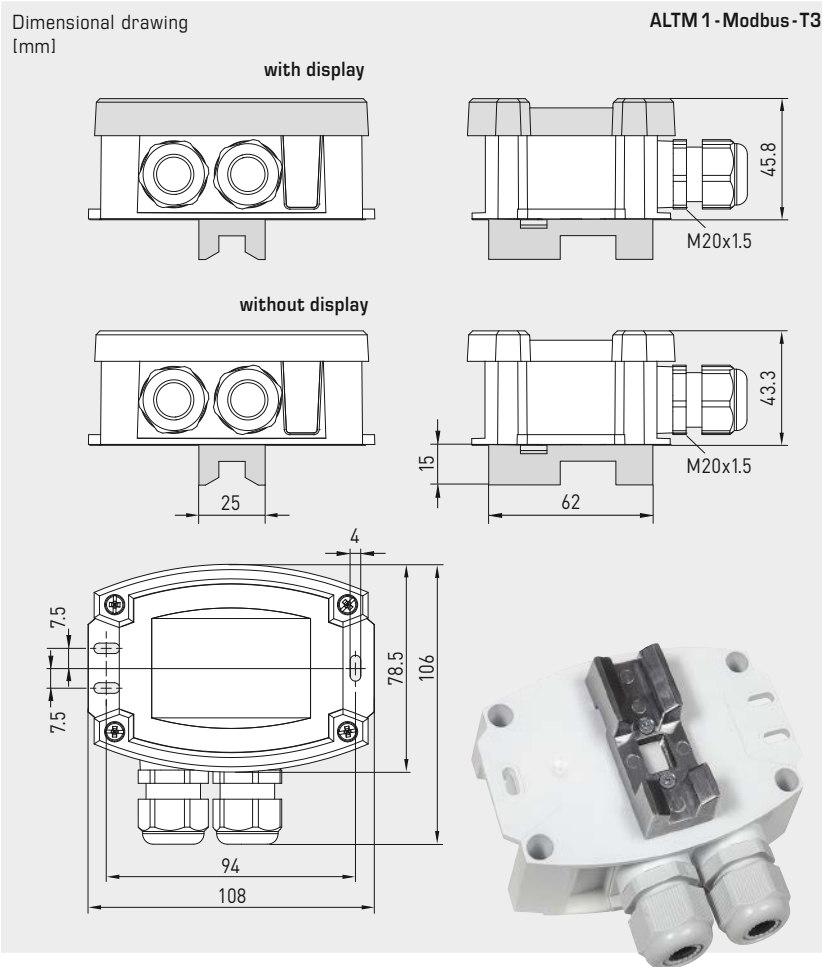
Voltage supply:	24 V AC (±20%); 15...36 V DC
Power consumption:	< 1.2 W / 24 V DC; < 1.8 VA / 24 V AC
System of units:	SI (default) or Imperial (switchable via Modbus)
Data points:	Temperature [°C] [°F]
Sensor:	Pt1000, DIN EN 60751, class B
Measuring range:	-50...+150 °C, T_{max} at +100 °C (compact variant)
Deviation, temperature:	typically ± 0.2 K at +25 °C
Zero point offset:	± 10 °C
Ambient temperature:	Measuring transducer -30...+70 °C
Medium:	clean air and non-aggressive, non-combustible gases
Bus protocol:	Modbus (RTU mode), address range 0... 247 selectable
Baud rate:	9600, 19200, 38400 Baud
Signal filtering:	0.3 s / 1 s / 10 s
Housing:	plastic, UV-resistant, material polyamide, 30% glass-globe reinforced, with quick-locking screws (slotted / Phillips head combination), colour traffic white (similar to RAL 9016), housing cover for display is transparent!
Housing dimensions:	108 x 78.5 x 43.3 mm (Tyr 3 without display) 108 x 78.5 x 45.8 mm (Tyr 3 with display)
Cable connection:	cable gland , plastic (2x M20 x 1.5; with strain relief, exchangeable, inner diameter 8 - 13 mm) or M12 connector according to DIN EN 61076-2-101 (optional on request)
Electrical connection:	0.2 - 1.5 mm ² , using push-in terminal
Process connection:	Endless strap with metal tightener (included in scope of delivery) Ø = 13 - 92 mm (¼ - 3"), L = 300 mm
Permissible air humidity:	< 95% RH, non-precipitating air
Protection class:	III (according to EN 60 730)
Protection type:	IP65 (according to EN 60 529)
Standards:	CE conformity, electromagnetic compatibility according to EN 61326, according to EMC Directive 2014 / 30 / EU
Features:	Display with illumination , three-line, programmable, cutout approx. 51 x 29 mm (W x H), for displaying the actual temperature, error message or an individually programmable display value
Internal diagnostics:	Error 1 at sensor breakage Error 2 at sensor short circuit





Wireless
W-Modbus
→ Onlineshop

Surface-contact temperature measuring transducer / pipe surface-contact sensor
incl. strap, compact variant, calibratable,
with Modbus connection



THERMASGARD® ALTM 1 - Modbus - T3 Surface contact temperature / tube contact temperature measuring transducers						
Type / WG01	Sensor	Output	Type	Display	Item No.	Price
ALTM 1 - Modbus - T3						
ALTM1-Modbus-T3	Pt1000	Modbus	Compact		1101-12B6-0000-000	177,19 €
ALTM1-Modbus-T3 LCD	Pt1000	Modbus	Compact	■	1101-12B6-4000-000	234,38 €
Optional:	Cable connection with M12 connector according to DIN EN 61076-2-101				on request	
Note:	System of units SI (default) or imperial (can be changed via Modbus).					
ACCESSORIES						
KA2-Modbus	Communication adapter (USB/RS485) for system connection				1906-1200-0000-100	220,41 €
LA-Modbus	Line termination device (with terminating resistor) as an active bus termination				1906-1300-0000-100	82,20 €
WLP-1	Heat-conductive paste , silicone-free				7100-0060-1000-000	4,79 €

For further information, see last chapter Accessories!

Surface-contact temperature measuring transducer / pipe surface-contact sensor incl. strap, with detached sensor head, calibratable, with Modbus connection

Calibratable surface-contact temperature measuring transducer (detached variant) **THERMASGARD® ALTM2-Modbus-T3**, with Modbus connection, in an impact-resistant plastic housing with quick-locking screws, cable sensor with pipe feeder, incl. strap, optionally with /without display, measures temperature (-50...+150 °C). International system of units **SI** (default) can be changed to **imperial** (via Modbus).

The pipe surface-contact sensor is used to detect the temperature on lines, pipes (e.g., cold and warm water) or on heating sections for heating control.

Innovative Modbus sensor with galvanically separated RS485 Modbus interface, selectable bus termination resistance, DIP switch for setting the bus parameters and bus address in current-free state, internal LEDs for telegram status display, two separate push-in terminals and large three-line display (illuminated, with customised programming in the 7-segment range and dot-matrix range). Uses **internal diagnostics** to detect sensor breakage or sensor short circuit as errors. The error messages can be retrieved via Modbus and are shown on the display. The sensor is factory-calibrated; an environmental precision adjustment by an expert is possible.

ALTM2-Modbus-T3

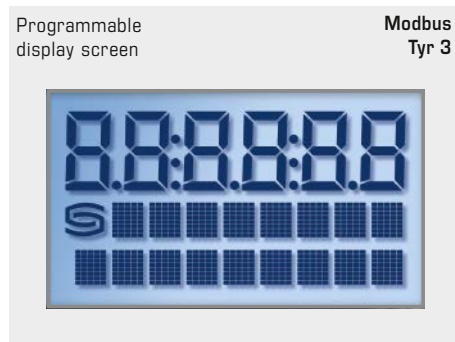
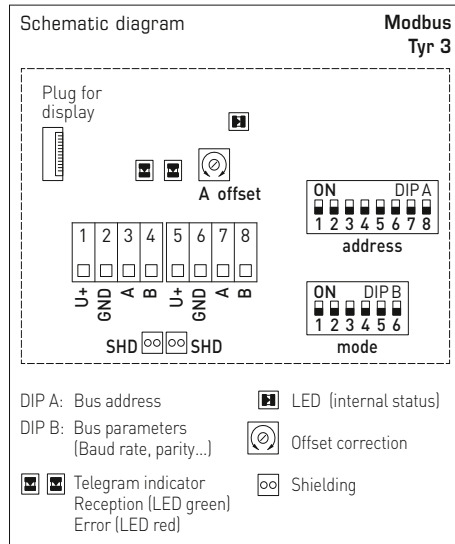


Device version with **M12 connector** (optional on request)



TECHNICAL DATA

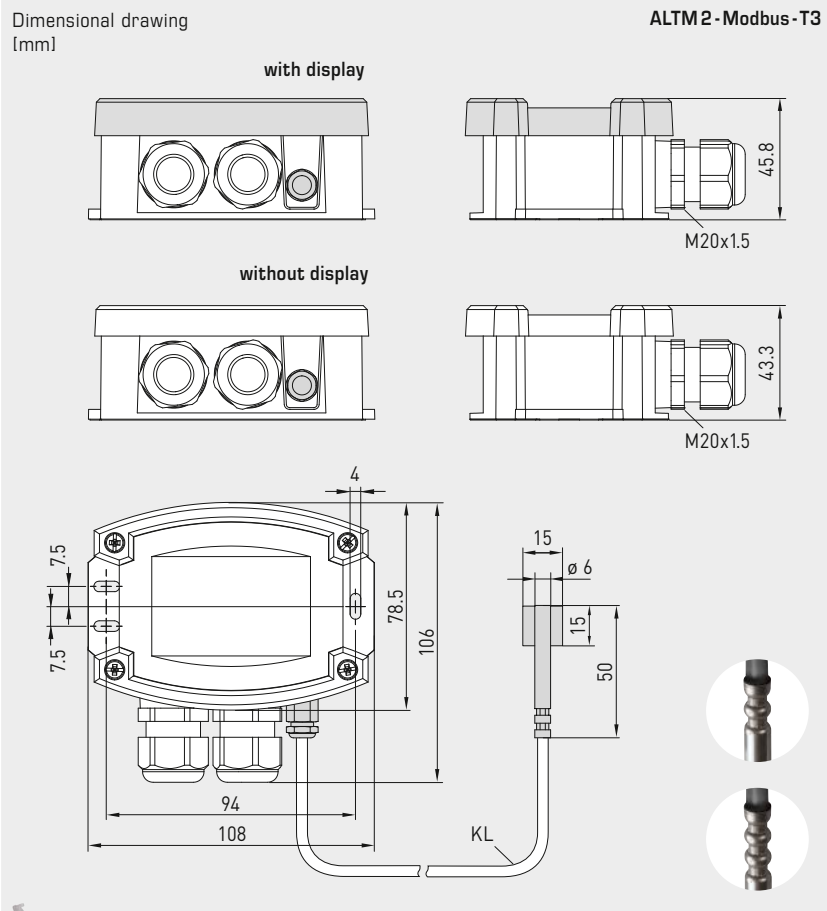
Voltage supply:	24 V AC (± 20%); 15...36 V DC
Power consumption:	< 1.2 W / 24 V DC; < 1.8 VA / 24 V AC
System of units:	SI (default) or Imperial (switchable via Modbus)
Data points:	Temperature [°C] [°F]
Sensor:	Pt1000, DIN EN 60751, class B (Perfect Sensor Protection at IP68)
Measuring range:	-50...+150 °C, T_{max} at +150 °C (detached sensor variant)
Deviation, temperature:	typically ± 0.2 K at +25 °C
Zero point offset:	± 10 °C
Ambient temperature:	Measuring transducer -30...+70 °C
Medium:	clean air and non-aggressive, non-combustible gases
Bus protocol:	Modbus (RTU mode), address range 0... 247 selectable
Baud rate:	9600, 19200, 38400 Baud
Signal filtering:	0.3 s / 1 s / 10 s
Sensor protection:	pipe feeder made of stainless steel V4A (1.4571), Ø = 6 mm, L = 50 mm
Sensor cable:	Silicone, SiHF, 2 x 0.25 mm ² ; cable length (KL) = 1.5m (other lengths and jacket materials, e.g. PTFE or glass fibre with steel mesh, available on request)
Housing:	plastic, UV-resistant, material polyamide, 30% glass-globe reinforced, with quick-locking screws (slotted / Phillips head combination), colour traffic white (similar to RAL 9016), housing cover for display is transparent!
Housing dimensions:	108 x 78.5 x 43.3 mm (Tyr 3 without display) 108 x 78.5 x 45.8 mm (Tyr 3 with display)
Cable connection:	cable gland , plastic (2x M20 x 1.5; with strain relief, exchangeable, inner diameter 8 - 13 mm) or M12 connector according to DIN EN 61076-2-101 (optional on request)
Electrical connection:	0.2 - 1.5 mm ² , using push-in terminal
Process connection:	Endless strap with metal tightener (included in scope of delivery) Ø = 13 - 92 mm (1/4 - 3"), L = 300 mm
Permissible air humidity:	< 95% RH, non-precipitating air
Protection class:	III (according to EN 60 730)
Protection type housing:	IP65 (according to EN 60 529)
Protection type sensor:	IP65 (according to EN 60 529) sleeve humidity-tight (standard) IP68 (according to EN 60 529) sleeve water-tight (optional)
Standards:	CE conformity, electromagnetic compatibility according to EN 61326, according to EMC Directive 2014 / 30 / EU
Features:	Display with illumination , three-line, programmable, cutout approx. 51 x 29 mm (W x H), for displaying the actual temperature, error message or an individually programmable display value
Internal diagnostics:	Error 1 at sensor breakage Error 2 at sensor short circuit





Wireless
W-Modbus
→ Onlineshop

Surface-contact temperature measuring transducer / pipe surface-contact sensor
incl. strap, with detached sensor head, calibratable,
with Modbus connection



ALTM 2 - Modbus - T3
with display



IP65 (standard)
humidity-tight

IP68 (optional)
water-tight
Perfect Sensor Protection

High-performance encapsulation against
vibration, mechanical stress and humidity



THERMASGARD® ALTM 2 - Modbus - T3 Surface contact temperature / tube contact temperature measuring transducers

Type / WG01	Sensor	Output	Type	Display	Item No.	Price
ALTM 2 - Modbus - T3						
ALTM2-Modbus-T3	Pt1000	Modbus	Remote sensor		1101-62B6-0210-000	184,63 €
ALTM2-Modbus-T3 LCD	Pt1000	Modbus	Remote sensor	■	1101-62B6-4210-000	240,57 €
Extra charge:	Protection type IP68 (sensor sleeve watertight compound-filled) per running metre of connecting lead (silicone / PTFE / glass fibre) Cable connection with M12 connector according to DIN EN 61076-2-101					3,50 € on request on request
Note:	System of units SI (default) or imperial (can be changed via Modbus).					

ACCESSORIES

KA2-Modbus	Communication adapter (USB/RS485) for system connection	1906-1200-0000-100	220,41 €
LA-Modbus	Line termination device (with terminating resistor) as an active bus termination	1906-1300-0000-100	82,20 €
WLP-1	Heat-conductive paste, silicone-free	7100-0060-1000-000	4,79 €

For further information, see last chapter Accessories!

Pendulum room temperature measuring transducer, (with stainless steel sleeve), calibratable, with Modbus connection

Calibratable room pendulum temperature measuring transducer (with sleeve)
THERMASGARD® RPTM 1-Modbus-T3, with Modbus connection, in an impact-resistant plastic housing with quick-locking screws, cable sensor with stainless steel sleeve and plastic sinter filter (exchangeable), optionally with/without display, measures temperature (-50...+150 °C). International system of units **SI** (default) can be changed to **imperial** (via Modbus).

The pendulum sensor has been specially designed to detect the temperature in larger rooms or halls. The resistance thermometer achieves a very good representative measurement result due to its positioning in the room.

Innovative Modbus sensor with galvanically separated RS485 Modbus interface, selectable bus termination resistance, DIP switch for setting the bus parameters and bus address in current-free state, internal LEDs for telegram status display, two separate push-in terminals and large three-line display (illuminated, with customised programming in the 7-segment range and dot-matrix range). Uses **internal diagnostics** to detect sensor breakage or sensor short circuit as errors. The error messages can be retrieved via Modbus and are shown on the display. The sensor is factory-calibrated; an environmental precision adjustment by an expert is possible.

RPTM1 -Modbus-T3

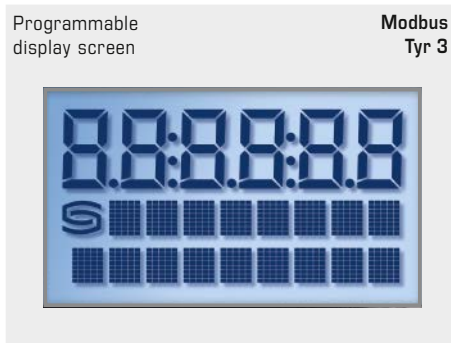
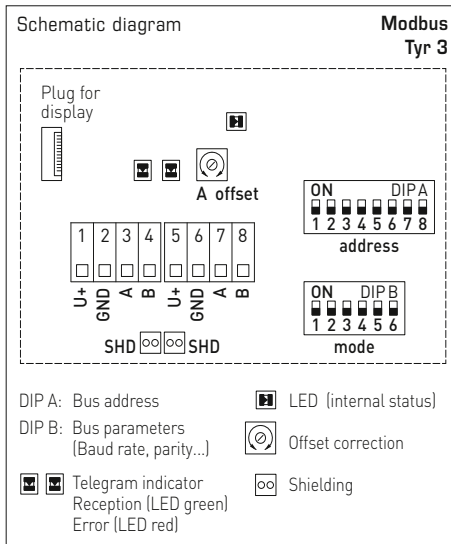


Device version with **M12 connector** (optional on request)



TECHNICAL DATA

Voltage supply:	24 V AC (± 20%); 15...36 V DC
Power consumption:	< 1.2 W / 24 V DC; < 1.8 VA / 24 V AC
System of units:	SI (default) or Imperial (switchable via Modbus)
Data points:	Temperature [°C] [°F]
Sensor:	Pt1000, DIN EN 60751, class B
Sensor protection:	plastic sinter filter, Ø 16 mm, L = 35 mm, exchangeable (optional metal sinter filter, Ø 16 mm, L = 32 mm)
Measuring range:	-50...+150 °C
Deviation, temperature:	typically ± 0.2 K at +25 °C
Zero point offset:	± 10 °C
Ambient temperature:	Measuring transducer -30...+70 °C
Medium:	clean air and non-aggressive, non-combustible gases
Bus protocol:	Modbus (RTU mode), address range 0... 247 selectable
Baud rate:	9600, 19200, 38400 Baud
Signal filtering:	0,3 s / 1 s / 10 s
Housing:	plastic, UV-resistant, material polyamide, 30% glass-globe reinforced, with quick-locking screws (slotted / Phillips head combination), colour traffic white (similar to RAL 9016), housing cover for display is transparent!
Housing dimensions:	108 x 78.5 x 43.3 mm (Tyr 3 without display) 108 x 78.5 x 45.8 mm (Tyr 3 with display)
Cable connection:	cable gland , plastic (2x M20 x 1.5; with strain relief, exchangeable, inner diameter 8 - 13 mm) or M12 connector according to DIN EN 61076-2-101 (optional on request)
Connection cable:	PVC, H03VV-F, 2 x 0.5 mm², cable length (KL) = approx. 1.5 m (other lengths optional)
Protective tube:	stainless steel V2A (1.4301), Ø=16 mm, NL = 142 mm
Electrical connection:	0.2 - 1.5 mm², using push-in terminals
Permissible air humidity:	< 95 % RH, non-precipitating air
Protection class:	III (according to EN 60 730)
Protection type:	IP 65 (according to EN 60 529)
Standards:	CE conformity, electromagnetic compatibility according to EN 61326, according to EMC Directive 2014 / 30 / EU
Features:	Display with illumination , three-line, programmable, cutout approx. 51 x 29 mm (W x H), for displaying the actual temperature, error message or an individually programmable display value
Internal diagnostics:	Error 1 at sensor breakage Error 2 at sensor short circuit



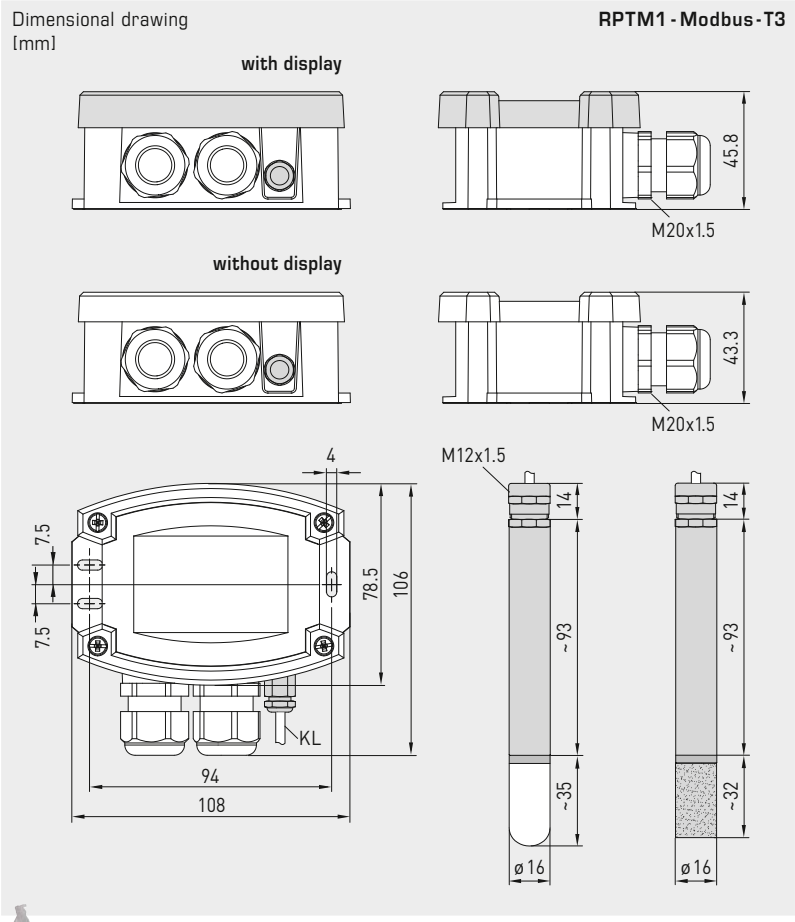


Wireless
W-Modbus
→ Onlineshop

S+S REGELTECHNIK

THERMASGARD® RPTM1-Modbus-T3

Pendulum room temperature measuring transducer,
(with stainless steel sleeve), calibratable,
with Modbus connection



RPTM1 - Modbus-T3
with display



MF-16-K
Mounting flange,
plastic (optional)



SF-K
with plastic sinter filter
(standard)



SF-M
with metal sinter filter
(optional)



THERMASGARD® RPTM1-Modbus-T3 Pendulum room temperature measuring transducer (with stainless steel sleeve)

Type/WG01	Sensor	Output	Type	Display	Item No.	Price
RPTM1-Modbus-T3						
RPTM1-Modbus-T3	Pt1000	Modbus	Remote sensor		1101-6286-0210-000	221,10 €
RPTM1-Modbus-T3 LCD	Pt1000	Modbus	Remote sensor	■	1101-6286-4210-000	277,51 €
Extra charge:	per running metre of connecting lead (PVC)				on request	
	Cable connection with M12 connector according to DIN EN 61076-2-101				on request	
Note:	System of units SI (default) or imperial (can be changed via Modbus).					

ACCESSORIES						
KA2-Modbus	Communication adapter (USB/RS485) for system connection				1906-1200-0000-100	220,41 €
LA-Modbus	Line termination device (with terminating resistor) as an active bus termination				1906-1300-0000-100	82,20 €
SF-M	Metal sinter filter, Ø 16 mm, L = 32 mm, exchangeable stainless steel V4A (1.4404)				7000-0050-2200-100	43,60 €
MF-16-K	Mounting flange plastic (optional)				7100-0030-0000-000	9,85 €

For further information, see last chapter Accessories!

**Pendulum room temperature measuring transducer,
(with globe), calibratable,
with Modbus connection**

Calibratable room pendulum temperature measuring transducer (with globe) THERMASGARD® RPTM2-Modbus-T3, with Modbus connection, in an impact-resistant plastic housing with quick-locking screws, cable sensor with a black plastic globe, optionally with/without display, measures temperature (-50...+150 °C). International system of units **SI** (default) can be changed to **imperial** (via Modbus).

The pendulum sensor has been specially designed to detect the temperature in larger rooms or halls. The resistance thermometer (globe thermometer) achieves a very good, representative measurement result due to its positioning in the room. The dark radiation sensor determines the effective radiation heat at the measured location. This is relevant for calculating the thermal comfort (operative room temperature) taking into account the co-action of thermal radiation and thermal convection. The ratio of globe temperature / air temperature is approx. 70% / 30%.

Innovative Modbus sensor with galvanically separated RS485 Modbus interface, selectable bus termination resistance, DIP switch for setting the bus parameters and bus address in current-free state, internal LEDs for telegram status display, two separate push-in terminals and large three-line display (illuminated, with customised programming in the 7-segment range and dot-matrix range). Uses **internal diagnostics** to detect sensor breakage or sensor short circuit as errors. The error messages can be retrieved via Modbus and are shown on the display. The sensor is factory-calibrated; an environmental precision adjustment by an expert is possible.

RPTM2-Modbus-T3

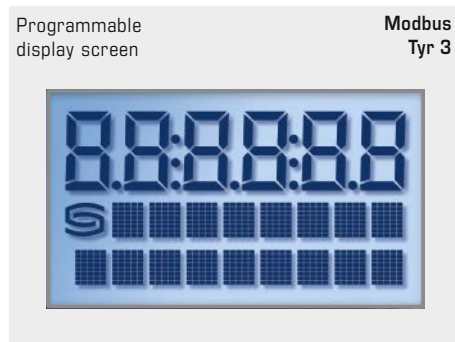
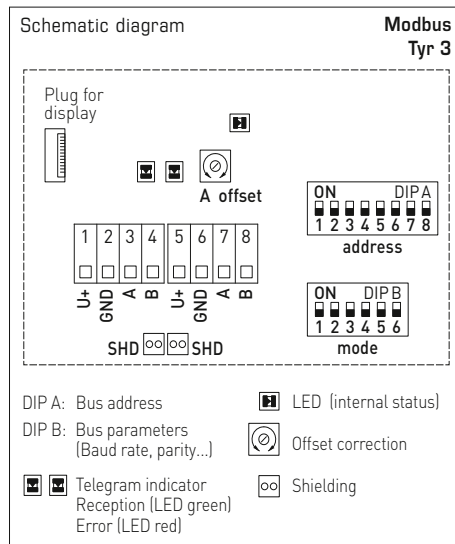


Device version with **M12 connector** (optional on request)



TECHNICAL DATA

Voltage supply:	24 V AC (±20%); 15...36 V DC
Power consumption:	< 1.2 W / 24 V DC; < 1.8 VA / 24 V AC
System of units:	SI (default) or Imperial (switchable via Modbus)
Data points:	Temperature [°C] [°F]
Sensor:	Pt1000, DIN EN 60751, class B
Measuring range:	-50...+150 °C; T_{min} -50 °C, T_{max} +80 °C
Deviation, temperature:	typically ±0.2 K at +25 °C
Zero point offset:	±10 °C
Ambient temperature:	Measuring transducer -30...+70 °C
Medium:	clean air and non-aggressive, non-combustible gases
Bus protocol:	Modbus (RTU mode), address range 0... 247 selectable
Baud rate:	9600, 19200, 38400 Baud
Signal filtering:	0,3 s / 1 s / 10 s
Housing:	plastic, UV-resistant, material polyamide, 30% glass-globe reinforced, with quick-locking screws (slotted / Phillips head combination), colour traffic white (similar to RAL 9016), housing cover for display is transparent!
Housing dimensions:	108 x 78.5 x 43.3 mm (Tyr 3 without display) 108 x 78.5 x 45.8 mm (Tyr 3 with display)
Cable connection:	cable gland , plastic (2x M20 x 1.5; with strain relief, exchangeable, inner diameter 8 - 13 mm) or M12 connector according to DIN EN 61076-2-101 (optional on request)
Connection cable:	PVC, H03VV-F, 2 x 0.5 mm ² , cable length (KL) = approx. 1.5 m (other lengths optional)
Globe:	plastic, colour black, Ø = 50 mm
Electrical connection:	0.2 - 1.5 mm ² , using push-in terminals
Permissible air humidity:	<95% RH, non-precipitating air
Protection class:	III (according to EN 60 730)
Protection type:	IP 65 (according to EN 60 529)
Standards:	CE conformity, electromagnetic compatibility according to EN 61326, according to EMC Directive 2014 / 30 / EU
Features:	Display with illumination , three-line, programmable, cutout approx. 51 x 29 mm (W x H), for displaying the actual temperature, error message or an individually programmable display value
Internal diagnostics:	Error 1 at sensor breakage Error 2 at sensor short circuit



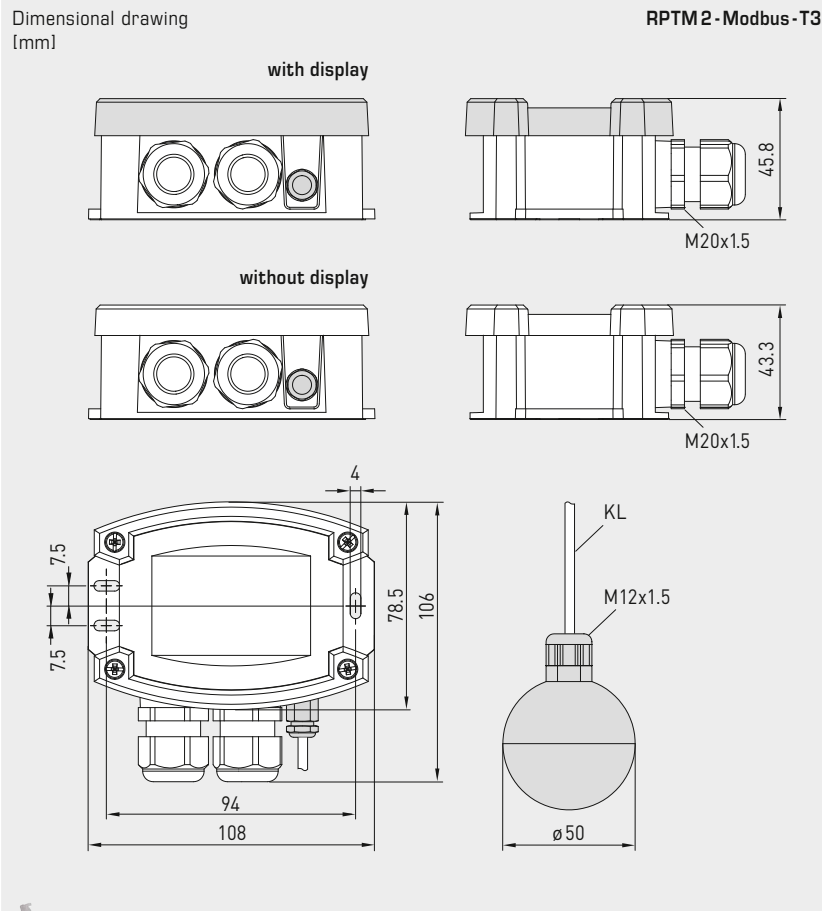


Wireless
W-Modbus
→ Onlineshop

S+S REGELTECHNIK

THERMASGARD® RPTM2 - Modbus - T3

Pendulum room temperature measuring transducer,
(with globe), calibratable,
with Modbus connection



RPTM2 - Modbus - T3
with display



THERMASGARD® RPTM 2 - Modbus - T3 Pendulum room temperature measuring transducer (with globe)						
Type / WG01	Sensor	Output	Type	Display	Item No.	Price
RPTM2 - Modbus - T3						
RPTM2-Modbus-T3	Pt1000	Modbus	Remote sensor		1101-6296-0210-000	227,83 €
RPTM2-Modbus-T3 LCD	Pt1000	Modbus	Remote sensor	■	1101-6296-4210-000	284,34 €
Extra charge:	per running metre of connecting lead (PVC)				on request	
	Cable connection with M12 connector according to DIN EN 61076-2-101				on request	
Note:	System of units SI (default) or imperial (can be changed via Modbus).					
ACCESSORIES						
KA2-Modbus	Communication adapter (with USB and RS485 interface) for system connection (incl. quick-start software)				1906-1200-0000-100	220,41 €
LA-Modbus	Line termination device (with terminating resistor) as an active bus termination of RS485 networks				1906-1300-0000-100	82,20 €

**Room humidity and temperature sensor (± 2.0%), on-wall,
for temperature, relative / absolute humidity, dew point, mixture ratio, enthalpy,
calibratable, with Modbus connection**

**RFTF-Modbus
Standard**

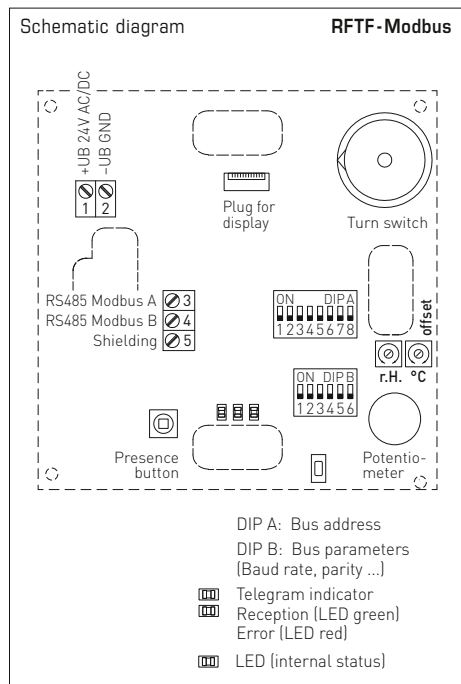
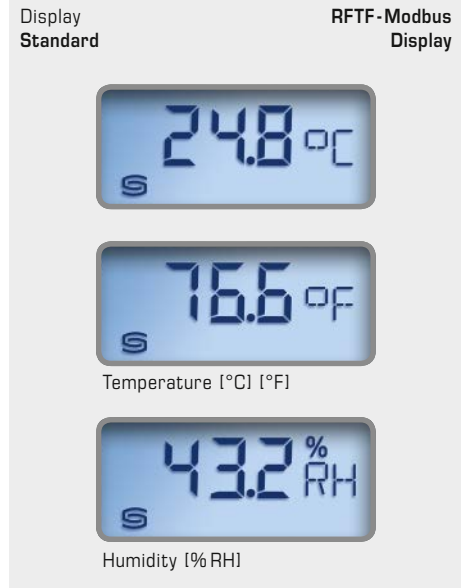
The calibratable room sensor **HYGRASGARD® RFTF-Modbus** with Modbus connection, in an elegant plastic housing (Baldur 2) with snap-on lid, base with 4-hole attachment, optionally with/without display, measures air humidity (0...100%RH) and temperature (0...+50 °C). International system of units **SI** (default) can be changed to **imperial** (via Modbus). These measured values are used to internally calculate the following parameters that can be retrieved via Modbus: relative humidity, absolute humidity, mixture ratio, dew point temperature, enthalpy (ignoring atmospheric air pressure) and temperature.

A long-term stable, **digital humidity and temperature sensor** guarantees exact measurement results. The sensor is factory-calibrated; an environmental precision adjustment by an expert is possible. **Modbus sensor** with galvanically separated RS485 Modbus interface, selectable bus termination resistance, DIP switches for setting the bus parameters and bus address in a currentless state, internal LEDs for telegram status display and two-line display (illuminated, in the 7-segment and dot-matrix range, individually programmable).



TECHNICAL DATA

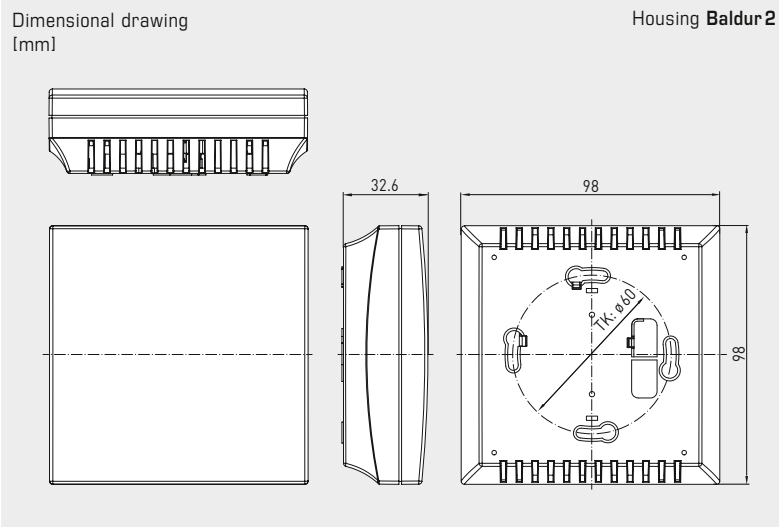
Power supply:	24 V AC (± 20%) and 15...36V DC
Power consumption:	< 1.0 W / 24 V DC; < 2.2 VA / 24 V AC
Sensor:	Digital humidity sensor with integrated temperature sensor , low hysteresis, high long-term stability
System of units:	SI (default) or Imperial (switchable via Modbus)
Data points:	Temperature [°C] [°F], relative humidity [%RH], absolute humidity [g/m³] [gr/ft³], dew point [°C] [°F], mixture ratio [g/kg] [gr/lb], enthalpy [kJ/kg] [Btu/lb], setpoint potentiometer, rotary switch and presence button
Measuring range:	0...100% RH (humidity) 0...+ 50 °C (temperature)
Deviation, humidity:	typically ± 2.0% (20...80% RH) at +25 °C, otherwise ± 3.0%
Deviation, temperature:	typically ± 0.2 K at +25 °C
Zero point offset:	± 10 % RH (humidity) ± 10 °C (temperature) adjustable using potentiometer
Ambient temperature:	storage -35...+85 °C; operation 0...+50 °C
Medium:	clean air and non-aggressive , non-combustible gases
Bus protocol:	Modbus (RTU mode), address range 0... 247 selectable
Baud rate:	9600, 19200, 38400 Baud
Signal filtering:	4 s / 32 s
Electrical connection:	0.2 - 1.5 mm², via terminal screws
Housing:	plastic, material ABS, colour pure white (similar to RAL 9010)
Housing dimension:	98 x 98 x 33 mm (Baldur 2)
Installation:	wall mounting or on in-wall flush box, Ø 55 mm, base with 4 holes, for attachment to vertically or horizontally installed in-wall flush boxes for rear cable entry, with predetermined breaking point for cable entry from top/bottom in case of plain on-wall installation
Long-term stability:	± 1 % per year
Permissible air humidity:	< 95 % RH, non-precipitating air
Protection class:	III (according to EN 60 730)
Protection type:	IP 30 (according to EN 60 529)
Standards:	CE conformity according to EMC Directive 2014 / 30 / EU, according to EN 61 326
Features:	Display with illumination , two-line, programmable, cutout approx. 36 x 15 mm (W x H), to display actual humidity and temperature or a selectable parameter or an individually programmable display value
ACCESSORIES	see table





S+S REGELTECHNIK

Room humidity and temperature sensor ($\pm 2.0\%$), on-wall,
for temperature, relative / absolute humidity, dew point, mixture ratio, enthalpy,
calibratable, with Modbus connection



RFTF-Modbus
with display



The display value depends on the set unit system.
By default, the display alternates between the **actual temperature** and the **actual humidity** (relative humidity).
The Modbus interface allows the display to be **individually** configured both in the 7-segment area and in the dot-matrix area.

The **Modbus configuration** can be used to program an alternative output variable instead of the standard display.
In this case, the first line displays the value and index while the second line displays the corresponding unit.
The index identifies the display type:

- Index 1** = temperature
- Index 2** = setpoint potentiometer
- Index 3** = dew point
- Index 4** = relative humidity
- Index 5** = absolute humidity
- Index 6** = mixture ratio
- Index 7** = enthalpy

HYGRASGARD® RFTF-Modbus		Room humidity and temperature sensor				
Type/WG01	Measuring Range / Readout	Humidity (switchable)	Temperature	Output	Item No.	Price
RFTF-Modbus						
RFTF-Modbus	0...100 % RH (default) 0...80 g / kg (MR) 0...80 g / m³ (A.H.) 0...85 kJ / kg (ENT.) -20...+80 °C (DP)		0...+50 °C	Modbus	1201-42B6-6000-000	169,14 €
RFTF-Modbus LCD	0...100 % RH (default) 0...80 g / kg (MR) 0...80 g / m³ (A.H.) 0...85 kJ / kg (ENT.) -20...+80 °C (DP)		0...+50 °C	Modbus	■ 1201-42B6-7000-000	208,48 €
Note: System of units SI (default) or imperial (can be changed via Modbus).						
ACCESSORIES						
KA2-Modbus	Communication adapter (with USB and RS485 interface) for system connection				1906-1200-0000-100	220,41 €
LA-Modbus	Line termination device (with terminating resistor) as an active bus termination				1906-1300-0000-100	82,20 €

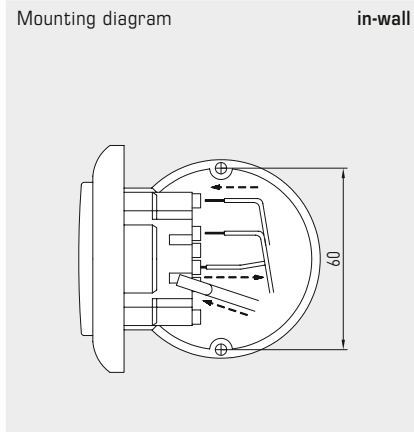
Room, humidity and temperature sensor or measuring transducer for temperature, relative / absolute humidity, dew point, mixture ratio, enthalpy, in-wall in the panel switch programme, with Modbus connection

The room sensor and measuring transducer **HYGRASGARD® FSFTM - Modbus** in the in-wall housing, optionally with potentiometer, is used to measure the relative humidity and temperature of the air, and for setpoint adjustment. The following parameters are calculated internally from the measured values: relative humidity [% RH], absolute humidity [g/m³], mixture ratio [g/kg], dew point temperature [°C], enthalpy [kJ/kg] (ignoring atmospheric air pressure) and room temperature [°C]. The parameters are queried via the Modbus interface.

A digital, long-term stable sensor is used for humidity and temperature measurement. Relative humidity [% RH] is the quotient of water vapour partial pressure divided by the saturation vapour pressure at the respective gas temperature.

The in-wall sensor is mounted in high-quality panel switch programmes, ideally of the brands Gira, Berker, Merten, Jung, Siemens or Busch-Jaeger (using in-wall adapters, no setpoint adjustment possible) either individually or in combination with light switches, socket outlets, etc.

It is used in non-aggressive, dust-free environments, in refrigeration, air conditioning and clean room technology, and in interior rooms, such as living rooms, offices, hotels, etc.



TECHNICAL DATA

Power supply:	24 V AC / DC (± 10 %)
Power consumption:	< 1.1 W / 24 V DC ; < 2.2 VA / 24 V AC
Data points:	temperature [°C], relative humidity [% RH] absolute humidity [g/m³], dew point [°C], mixing ratio [g/kg], enthalpy [kJ/kg] and setpoint potentiometer (no setpoint adjustment possible with Busch-Jaeger)
Bus protocol:	Modbus (RTU mode), address range 0...247 selectable
Signal filtering:	4 s / 32 s

HUMIDITY

Sensor:	digital humidity sensor, with integrated temperature sensor, low hysteresis, high long-term stability
Long-term stability:	± 1 % per year
Measuring range, humidity::	0...100% RH
Operating range, humidity:	0...95% RH (non-precipitating air)
Deviation, humidity:	typically ± 3.0 % (20...80 % RH) at +25 °C, otherwise ± 5.0 %

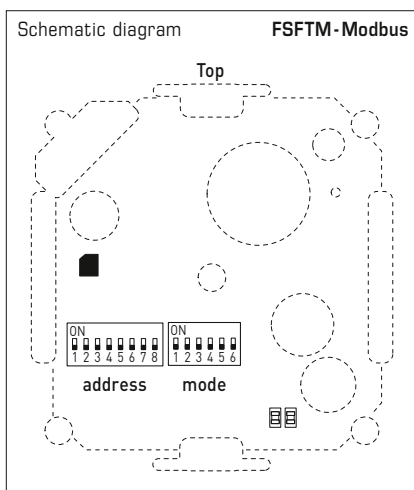
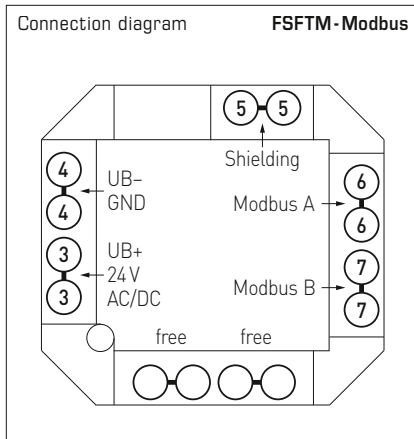
TEMPERATURE

Measuring range:	0...+50 °C
Deviation, temperature:	typically ± 0.8 K at +25 °C

Mounting:	in-wall flush box Ø 55 mm
Electrical connection:	1.0-2.5 mm², via plug terminals
Ambient temperature:	Storage -35...+85 °C; Operation 0...+50 °C
Permitted humidity:	max. 90% RH, non-precipitating air
Medium:	clean air and other non-aggressive, non-combustible gases
Protection class:	III (according to EN 60 730)
Protection type:	IP 20 (according to 60 529)
Standards:	CE-conformity, electromagnetic compatibility according to EN 61 326, EMC Directive 2014 / 30 / EU

SWITCH PROGRAMME

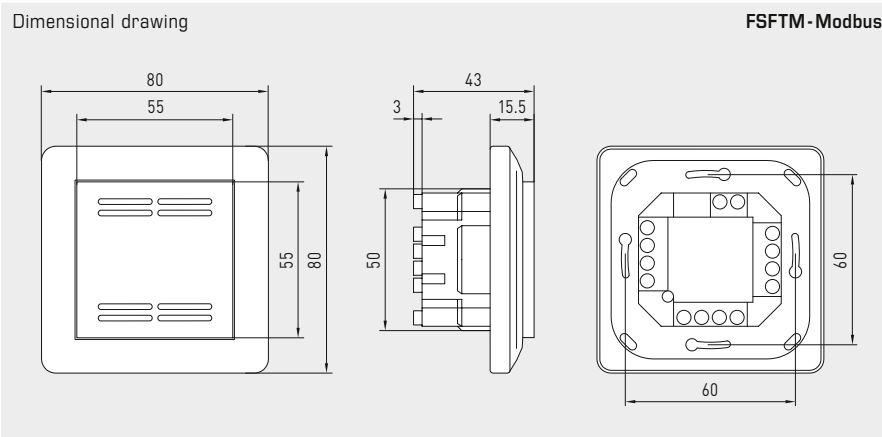
Manufacturer:	GIRA System 55 (other switch programmes, manufacturers, colours as well as prices available upon request)
Housing:	plastic, the standard colour is pure glossy white (similar to RAL 9010) (other colours are available upon request with colour variants depending on the respective light switch programme)



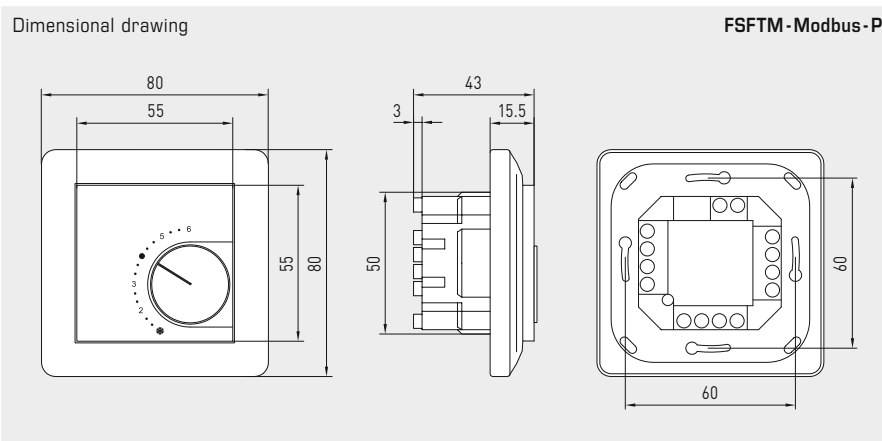


S+S REGELTECHNIK

Room, humidity and temperature sensor or measuring transducer for temperature, relative / absolute humidity, dew point, mixture ratio, enthalpy, in-wall in the panel switch programme, with Modbus connection



FSFTM-Modbus
Standard



FSFTM-Modbus-P
with potentiometer



HYGRASGARD® FSFTM-Modbus Room temperature and humidity sensor, in-wall

Type / WG02	Measuring Range	Temperature	Control element	Output	Item No.	Price
FSFTM-Modbus	Humidity (base value)					
FSFTM-Modbus	0...100% RH (default) 0...80 g/kg (MV) 0...80 g/m³ (a.F.) 0...85 kJ/kg (ENT.) -20...+80 °C (TP)	0...+50 °C	-	Modbus	1201-9226-1000-162	299,18 €
FSFTM-Modbus P	0...100% RH (default) 0...80 g/kg (MV) 0...80 g/m³ (a.F.) 0...85 kJ/kg (ENT.) -20...+80 °C (TP)	0...+50 °C	Potentiometer	Modbus	1201-9226-1400-282	323,61 €

Data points: relative humidity [% RH], absolute humidity [g/m³], mixture ratio [g/kg], dew point temperature [°C], enthalpy [kJ/kg] (ignoring atmospheric air pressure), temperature [°C] and setpoint potentiometer

ACCESSORIES						
KA2-Modbus	Communication adapter (with USB and RS485 interface) for system connection (incl. quick-start software)				1906-1200-0000-100	220,41 €
LA-Modbus	Line termination device (with terminating resistor) as an active bus termination of RS485 networks				1906-1300-0000-100	82,20 €

**On-wall-humidity- and temperature sensors ($\pm 2.0\%$),
for mixture ratio, relative/absolute humidity, dew point, enthalpy
and temperature, calibratable, with Modbus connection**

Calibratable outside humidity and temperature sensor **HYGRASGARD® AFTF-Modbus-T3**, with Modbus connection, in an impact-resistant plastic housing with quick-locking screws, optionally with /without display, with a plasticsinter filter (exchangeable), to exactly detect the relative humidity (0...100% RH) and the temperature ($-35...+80\text{ }^\circ\text{C}$) and to detect various parameters in humidity measurement. International system of units **SI** (default) can be switched to **Imperial** (via Modbus). The on-wall sensor is applied in a non-aggressive, dust-free environment. It is used in the refrigeration, air conditioning and clean room technology, engineering rooms, hotels and conference facilities.

A long-term stable, **digital humidity and temperature sensor** guarantee exact measurement results. These measurands are used to internally calculate the following parameters that can be retrieved via Modbus: relative humidity, absolute humidity, mixture ratio, dew point, enthalpy (ignoring atmospheric air pressure) and ambient temperature.

Innovative Modbus sensor with galvanically separated RS485-Modbus-interface, selectable bus termination resistance, DIP switch for setting the bus parameters and bus address in current-free state, internal LEDs for telegram status display, two separate push-in terminals and large three-line display (illuminated; with customised programming in the 7-segment and dot-matrix range). The sensor is factory-calibrated; an environmental precision adjustment by an expert is possible.

AFTF-Modbus-T3

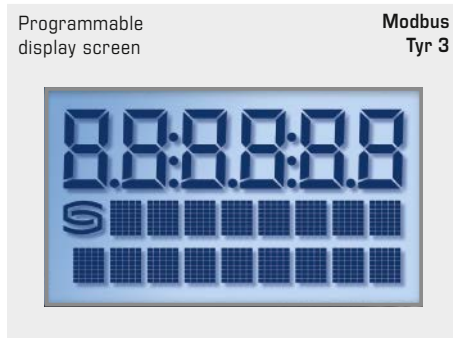
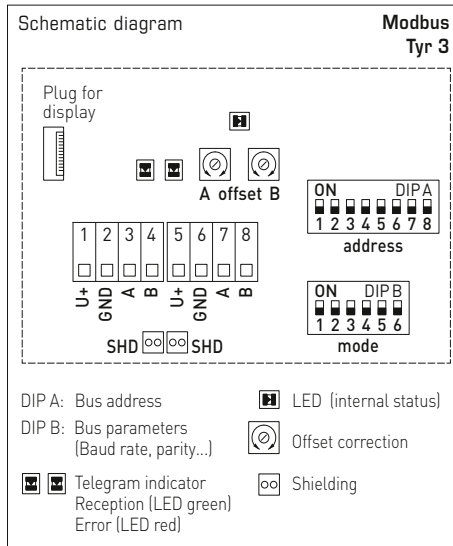


Device version with **M12 connector** (optional on request)



TECHNICAL DATA

Voltage supply:	24 V AC ($\pm 20\%$); 15...36 V DC
Power consumption:	< 1.2 W / 24 V DC; < 1.8 VA / 24 V AC
System of units:	SI (default) or Imperial (switchable via Modbus)
Data points:	temperature [$^\circ\text{C}$] [$^\circ\text{F}$], relative humidity [% RH], dew point [$^\circ\text{C}$] [$^\circ\text{F}$], absolute humidity [g/m^3] [gr/ft^3], mixing ratio [g/kg] [gr/lb], enthalpy [kJ/kg] [Btu/lb]
Sensor:	digital humidity sensor with integrated temperature sensor , low hysteresis, high long-term stability
Protective tube:	stainless steel V2A (1.4301), \varnothing 13 mm, NL = 46 mm
Sensor protection:	plastic sinter filter , \varnothing 13 mm, L = 28 mm
Measuring range:	0...100% RH (humidity) $-35...+80\text{ }^\circ\text{C}$ (temperature)
Deviation, humidity:	typically $\pm 2.0\%$ (20...80% RH) at $+25\text{ }^\circ\text{C}$, otherwise $\pm 3.0\%$
Temperature deviation:	typically $\pm 0.4\text{ K}$ at $+25\text{ }^\circ\text{C}$
Zero point offset:	$\pm 10\%$ RH (humidity) $\pm 5\text{ }^\circ\text{C}$ (temperature)
Ambient temperature:	$-30...+70\text{ }^\circ\text{C}$
Medium:	clean air and non-aggressive, non-combustible gases
Bus protocol:	Modbus (RTU mode), address range 0... 247 selectable
Baud rate:	9600, 19200, 38400 Baud
Signal filtering:	4 s / 32 s
Housing:	plastic, UV-resistant, material polyamide, 30% glass-globe reinforced, with quick-locking screws (slotted / Phillips head combination), colour traffic white (similar to RAL 9016),, housing cover for display is transparent!
Housing dimensions:	108 x 78.5 x 43.3 mm (Tyr 3 without display) 108 x 78.5 x 45.8 mm (Tyr 3 with display)
Cable connection:	cable gland , plastic (2x M20x 1.5; with strain relief, exchangeable, inner diameter 8- 13 mm) or M12 connector according to DIN EN 61076-2-101 (optional on request)
Process connection:	by screws
Electrical connection:	0.2 - 1.5 mm ² , using push-in terminals
Permissible air humidity:	< 95% RH, non-precipitating air
Protection class:	III (according to EN 60 730)
Protection type:	IP 65 (according to EN 60 529)
Standards:	CE conformity, electromagnetic compatibility according to EN 61326, according to EMC Directive 2014 / 30 / EU
Features:	Display with illumination , three-line, programmable, cutout approx. 51 x 29 mm (W x H), for displaying the actual humidity and actual temperature (cyclic) or a selectable parameter (static) or an individually programmable display value



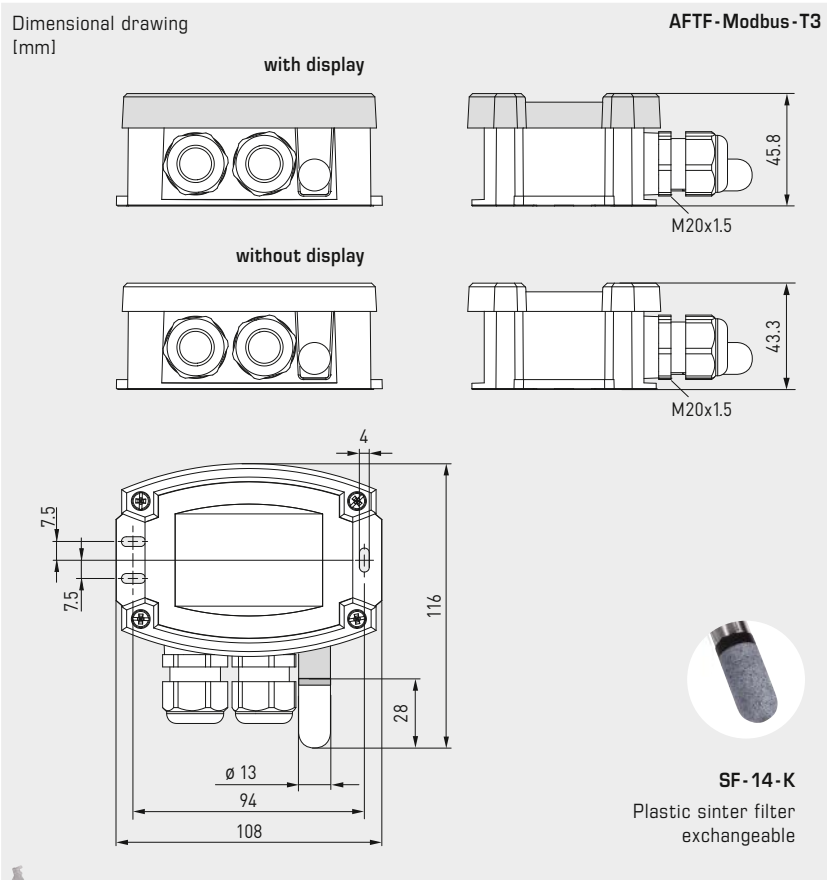


Wireless
W-Modbus
→ Onlineshop

S+S REGELTECHNIK

HYGRASGARD® AFTF - Modbus - T3

On-wall-humidity- and temperature sensors ($\pm 2.0\%$),
for mixture ratio, relative/absolute humidity, dew point, enthalpy
and temperature, calibratable, with Modbus connection



AFTF - Modbus - T3
with display



WS-04

Weather and sun
protection hood
(optional)



HYGRASGARD® AFTF - Modbus - T3 On-wall-humidity- and temperature sensors ($\pm 2.0\%$)

Type / WG01	Measuring Range / Readout	Temperature	Output	Display	Item No.	Price
AFTF - Modbus - T3	Humidity (switchable)					
AFTF-Modbus-T3	0 ... 100% RH (default) 0 ... 80 g/kg (MV) 0 ... 80 g/m ³ (a.F.) 0 ... 85 kJ/kg (ENT.) -20 ... +80 °C (TP)	-35 ... +80 °C	Modbus		1201-12C6-1000-000	217,43 €
AFTF-Modbus-T3 LCD	(5 x as above)	(1 x as above)	Modbus	■	1201-12C6-1400-000	274,09 €
Optional:	Cable connection with M12 connector according to DIN EN 61076-2-101 on request					
Note:	System of units SI (default) or imperial (can be changed via Modbus).					
ACCESSORIES						
KA2-Modbus	Communication adapter (USB/RS485) for system connection				1906-1200-0000-100	220,41 €
LA-Modbus	Line termination device (with terminating resistor) as an active bus termination				1906-1300-0000-100	82,20 €
WS-01	Sun and ball-impact protection hood , 184 x 180 x 80 mm, stainless steel V2A (1.4301)				7100-0040-2000-000	32,72 €
WS-04	Weather and sun protection hood , 130 x 180 x 135 mm, stainless steel V2A (1.4301)				7100-0040-7000-000	38,61 €

For further information, see last chapter Accessories!

Duct humidity- and temperature sensors ($\pm 1.8\%$ / $\pm 2.0\%$), incl. mounting flange, for mixture ratio, relative/absolute humidity, dew point, enthalpy and temperature, calibratable, with Modbus connection or W-Modbus (wireless)

Calibratable duct humidity and temperature sensor **HYGRASGARD® KFTF-Modbus-T3** ($\pm 2.0\%$) or **KFTF-20-Modbus-T3** ($\pm 1.8\%$), with Modbus connection, in an impact-resistant plastic housing with quick-locking screws, optionally with/without display, with a plastic sinter filter (exchangeable), incl. mounting flange, to exactly detect the relative humidity (0...100% RH) and the temperature ($-35\ldots+80\text{ }^{\circ}\text{C}$) and to detect various parameters in humidity measurement. International system of units **SI** (default) can be switched to **Imperial** (via Modbus). With **wModbus** device version, the W-Modbus (wireless) replaces the RTU cable; the BMS connection is radio-based using a W-Modbus gateway.

The duct sensor is applied in a non-aggressive, dust-free environment and is suitable for installation in ceilings, ducts and devices. It is used in the refrigeration, air conditioning and clean room technology, engineering rooms, hotels and conference facilities.

A long-term stable, **digital humidity and temperature sensor** guarantee exact measurement results. These measurands are used to internally calculate the following parameters that can be retrieved via Modbus: relative humidity, absolute humidity, mixture ratio, dew point, enthalpy (ignoring atmospheric air pressure) and ambient temperature.

Innovative Modbus sensor with galvanically isolated RS485 Modbus interface, switchable bus terminating resistor, DIP switch for setting in de-energised state, internal LEDs for telegram status indication, Push terminals and large three-line display (illuminated, individually programmable). The sensor is factory-calibrated; an environmental precision adjustment by an expert is possible.

KFTF-Modbus-T3 ($\pm 2,0\%$)



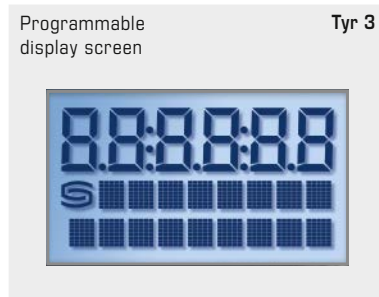
KFTF20-Modbus-T3 ($\pm 1,8\%$)
 without display



KFTF-wModbus ($\pm 2,0\%$)
KFTF20-wModbus ($\pm 1,8\%$)
 without display

TECHNICAL DATA

Voltage supply:	24 V AC ($\pm 20\%$); 15...36 V DC
Power consumption:	< 1.2 W / 24 V DC; < 1.8 VA / 24 V AC
System of units:	SI (default) or Imperial (switchable via Modbus)
Data points:	temperature [$^{\circ}\text{C}$] [$^{\circ}\text{F}$], relative humidity [% RH], dew point [$^{\circ}\text{C}$] [$^{\circ}\text{F}$], absolute humidity [g/m^3] [gr/ft^3], mixing ratio [g/kg] [gr/lb], enthalpy [kJ/kg] [Btu/lb]
Sensor:	digital humidity sensor with integrated temperature sensor , low hysteresis, high long-term stability
Sensor protection:	plastic sinter filter , \varnothing 16 mm, L = 35 mm, exchangeable (optional metal sinter filter, \varnothing 16 mm, L = 32 mm)
Measuring range:	0...100% RH (humidity); $-35\ldots+80\text{ }^{\circ}\text{C}$ (temperature)
Deviation, humidity:	KFTF-Modbus / KFTF-wModbus: typically $\pm 2.0\%$ (20...80% RH) at $+25\text{ }^{\circ}\text{C}$, otherwise $\pm 3.0\%$ KFTF20-Modbus / KFTF20-wModbus: typically $\pm 1.8\%$ (10...90% RH) at $+25\text{ }^{\circ}\text{C}$, otherwise $\pm 2.0\%$
Temperature deviation:	typically $\pm 0.2\text{ K}$ at $+25\text{ }^{\circ}\text{C}$
Zero point offset:	$\pm 10\%$ RH (humidity); $\pm 5\text{ }^{\circ}\text{C}$ (temperature)
Ambient temperature:	$-30\ldots+70\text{ }^{\circ}\text{C}$
Medium:	clean air and non-aggressive, non-combustible gases
Communication:	Modbus RTU (RS485 interface for RTU cable) or W-Modbus (Wireless Modbus with 2.4GHz ISM)
Bus protocol:	Modbus (RTU mode), address range 0...247 selectable
Baud rate:	9600, 19200, 38400 Baud (with RTU cable)
Signal filtering:	4 s / 32 s
Housing:	plastic, UV-resistant, material polyamide, 30% glass-globe reinforced, with quick-locking screws (slotted / Phillips head combination), colour traffic white (similar to RAL 9016), housing cover for display is transparent!
Housing dimensions:	108 x 78.5 x 43.3 mm (Tyr 3 without display) 108 x 78.5 x 45.8 mm (Tyr 3 with display)
Cable connection:	cable gland , plastic (M20 x 1,5; with strain relief, exchangeable, inner diameter 8 - 13 mm) or M12 connector according to DIN EN 61076-2-101 (optional on request)
Protective tube:	PLEUROFORM™ , material polyamide (PA6), with torsion protection, \varnothing 20 mm, NL = 235 mm (optionally 100 mm), $v_{\text{max}} = 30\text{ m/s}$ (air) (optionally made of stainless steel V2A (1.4301), \varnothing 16 mm)
Process connection:	by mounting flange, plastic (included in the scope of delivery)
Electrical connection:	0.2 - 1.5 mm ² , using push-in terminals
Permissible air humidity:	< 95% RH, non-precipitating air
Protection class:	III (according to EN 60 730)
Protection type:	IP 65 (according to EN 60 529)
Standards:	CE conformity, electromagnetic compatibility according to EN 61326, according to EMC Directive 2014 / 30 / EU, Radio Directive ETSI 300 328 V2.2.2
Features:	Display with illumination , three-line, programmable, cutout approx. 51 x 29 mm (W x H), for displaying the actual humidity and actual temperature (cyclic) or a selectable parameter (static) or an individually programmable display value





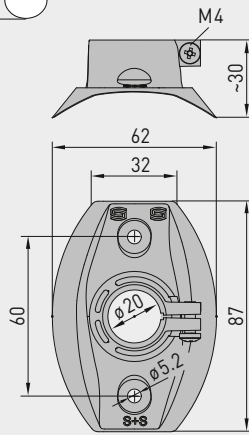
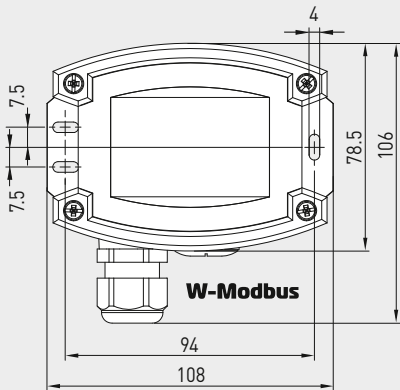
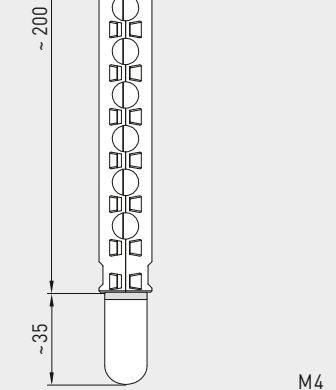
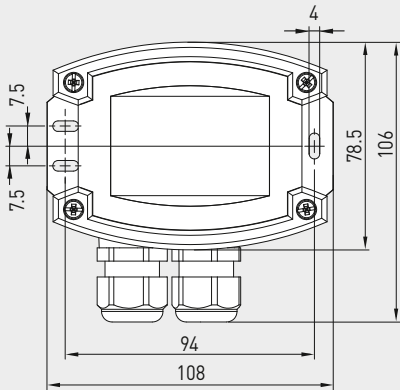
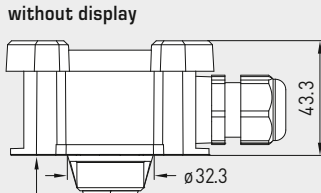
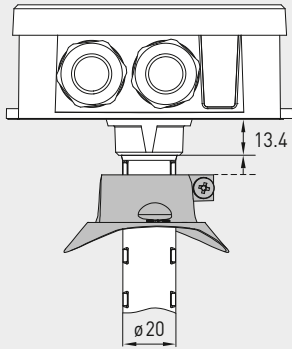
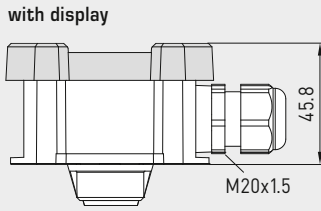
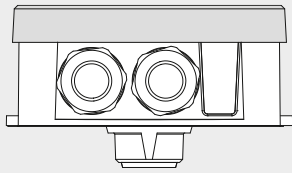
NEW

S+S REGELTECHNIK

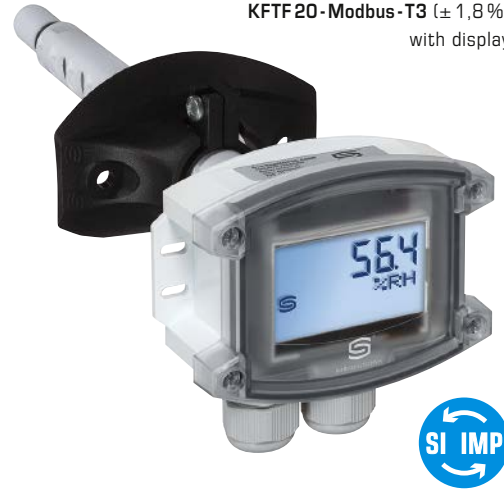
HYGRASGARD® KFTF (20)-Modbus-T3 HYGRASGARD® KFTF (20)-wModbus

Duct humidity- and temperature sensors ($\pm 1.8\%$ / $\pm 2.0\%$), incl. mounting flange, for mixture ratio, relative/absolute humidity, dew point, enthalpy and temperature, calibratable, with Modbus connection or W-Modbus (wireless)

Dimensional drawing (mm)



KFTF-Modbus-T3 ($\pm 2.0\%$)
KFTF20-Modbus-T3 ($\pm 1.8\%$)
with display



KFTF-wModbus ($\pm 2.0\%$)
KFTF20-wModbus ($\pm 1.8\%$)
with display



Device version with **M12 connector** (optional on request)



MFT-20-K
Mounting flange, plastic



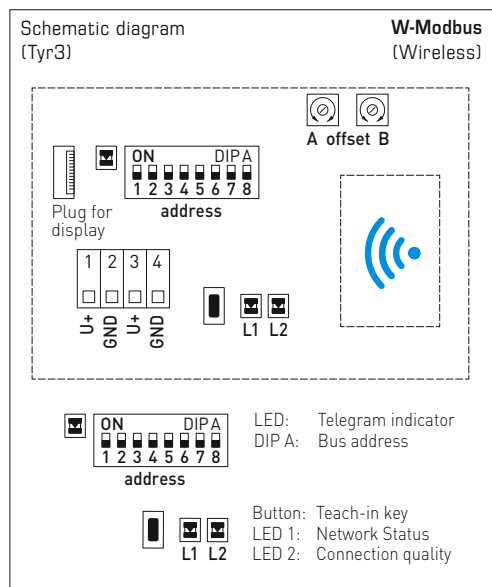
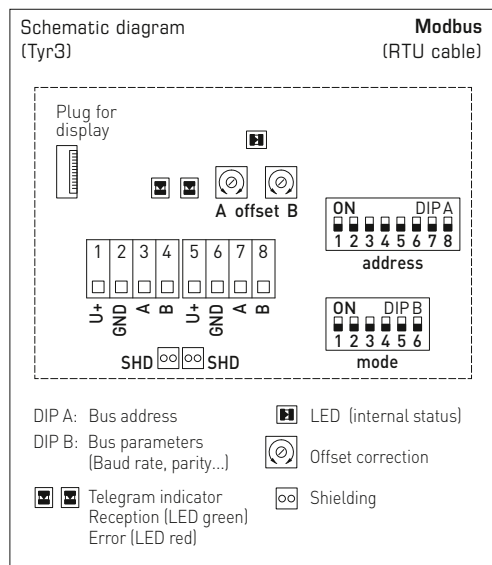
SF-K
Plastic sinter filter (standard)



SF-M
Metal sinter filter (optional)
stainless steel protective tube (optional on request)



Duct humidity- and temperature sensors ($\pm 1.8\%$ / $\pm 2.0\%$), incl. mounting flange, for mixture ratio, relative/absolute humidity, dew point, enthalpy and temperature, calibratable, with Modbus connection or W-Modbus (wireless)



ACCESSORIES

SF-M	Metal sinter filter , Ø 16 mm, L = 32 mm, exchangeable, stainless steel I V4A (1.4404)	7000-0050-2200-100	43,60 €
SF-K	Plastic sinter filter , Ø 16 mm, L = 35 mm, exchangeable (included in the scope of delivery)	7000-0050-2310-000	13,25 €
MFT-20-K	Mounting flange , plastic (included in the scope of delivery)	7100-0030-4000-000	9,85 €
For further information, see last chapter Accessories!			

MODBUS ACCESSORIES

KA2-Modbus	Communication adapter (USB/RS485) for system connection	1906-1200-0000-100	220,41 €
LA-Modbus	Line termination device (with terminating resistor) as an active bus termination	1906-1300-0000-100	82,20 €
GW-wModbus	Gateway with W-Modbus module, for radio-based connection to Modbus networks	1801-1211-1101-000	229,00 €

For further information see the end of the chapter!



NEW

S+S REGELTECHNIK

HYGRASGARD® KFTF (20) - Modbus - T3 HYGRASGARD® KFTF (20) - wModbus

Duct humidity- and temperature sensors ($\pm 1.8\%$ / $\pm 2.0\%$), incl. mounting flange, for mixture ratio, relative/absolute humidity, dew point, enthalpy and temperature, calibratable, with Modbus connection or W-Modbus (wireless)

HYGRASGARD® KFTF - Modbus - T3
HYGRASGARD® KFTF 20 - Modbus - T3
with/without display



HYGRASGARD® KFTF - wModbus
HYGRASGARD® KFTF 20 - wModbus
with/without display



HYGRASGARD® KFTF (20) - Modbus - T3 KFTF (20) - wModbus		Duct humidity- and temperature sensors ($\pm 1.8\%$ / $\pm 2.0\%$) with with Modbus connection (RTU cable) <u>or</u> with W-Modbus (Wireless)				
Type / WG01	Measuring Range / Readout	Temperature	Output	Display	Item No.	Price
Accuracy		$\pm 2.0\%$ RH				
KFTF-Modbus-T3	0 ... 100% RH (default) 0 ... 80 g/kg (MV) 0 ... 80 g/m ³ (a.F.) 0 ... 85 kJ/kg (ENT.) 0 ... +50 °C (TP)	-35...+80 °C	Modbus		1201-32C6-1000-029	215,41 €
KFTF-Modbus-T3 LCD	(5 x as above)	(1 x as above)	Modbus	■	1201-32C6-1400-029	272,06 €
KFTF-wModbus	(5 x as above)	(1 x as above)	W-Modbus		1201-32CF-1000-029	255,41 €
KFTF-wModbus LCD	(5 x as above)	(1 x as above)	W-Modbus	■	1201-32CF-1400-029	312,06 €
Accuracy		$\pm 1.8\%$ RH				
KFTF-20-Modbus-T3	0 ... 100% RH (default) 0 ... 80 g/kg (MV) 0 ... 80 g/m ³ (a.F.) 0 ... 85 kJ/kg (ENT.) 0 ... +50 °C (TP)	-35...+80 °C	Modbus		1201-32C6-1000-030	281,59 €
KFTF-20-Modbus-T3 LCD	(5 x as above)	(1 x as above)	Modbus	■	1201-32C6-1400-030	424,24 €
KFTF-20-wModbus	(5 x as above)	(1 x as above)	W-Modbus		1201-32CF-1000-030	321,59 €
KFTF-20-wModbus LCD	(5 x as above)	(1 x as above)	W-Modbus	■	1201-32CF-1400-030	464,24 €
Optional:	Cable connection with M12 connector according to DIN EN 61076-2-101 shortened protective tube PLEUROFORM™ , NL = 100 mm Protective tube made of stainless steel				on request on request on request	
Note:	System of units SI (default) or imperial (can be changed via Modbus).					

HYGRASGARD® RPFTF - Modbus-T3

HYGRASGARD® RPFTF - 20 - Modbus-T3



S+S REGELTECHNIK

Pendulum room humidity and temperature sensors ($\pm 1.8\%$ / $\pm 2.0\%$), for mixture ratio, relative/absolute humidity, dew point, enthalpy and temperature, calibratable, with Modbus connection

Calibratable room pendulum humidity and temperature sensor **HYGRASGARD® RPFTF-Modbus-T3** ($\pm 2.0\%$) or **RPFTF-20-Modbus-T3** ($\pm 1.8\%$), with Modbus connection, in an impact-resistant plastic housing with quick-locking screws, optionally with /without display, cable sensor with a stainless steel pendulum and a plastic sinter filter (exchangeable), to exactly detect the relative humidity (0...100% RH) and the temperature ($-35...+80\text{ }^\circ\text{C}$) and to detect various parameters in humidity measurement. International system of units **SI** (default) can be switched to **Imperial** (via Modbus).

The pendulum sensor is applied in a non-aggressive, dust-free environment and is suitable for installation in ceilings, ducts and devices. It is used in the refrigeration, air conditioning and clean room technology, engineering rooms, hotels and conference facilities.

A long-term stable, **digital humidity and temperature sensor** guarantee exact measurement results. These measurands are used to internally calculate the following parameters that can be retrieved via Modbus: relative humidity, absolute humidity, mixture ratio, dew point, enthalpy (ignoring atmospheric air pressure) and ambient temperature.

Innovative Modbus sensor with galvanically separated RS485-Modbus-interface, selectable bus termination resistance, DIP switch for setting the bus parameters and bus address in current-free state, internal LEDs for telegram status display, two separate push-in terminals and large three-line display (illuminated; with customised programming in the 7-segment and dot-matrix range). The sensor is factory-calibrated; an environmental precision adjustment by an expert is possible.

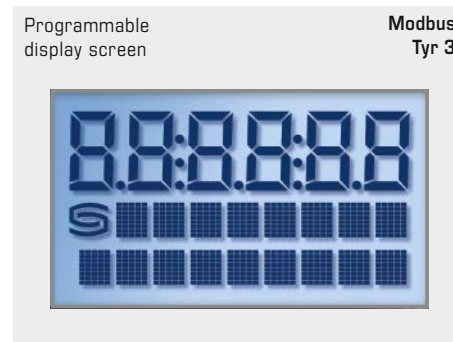
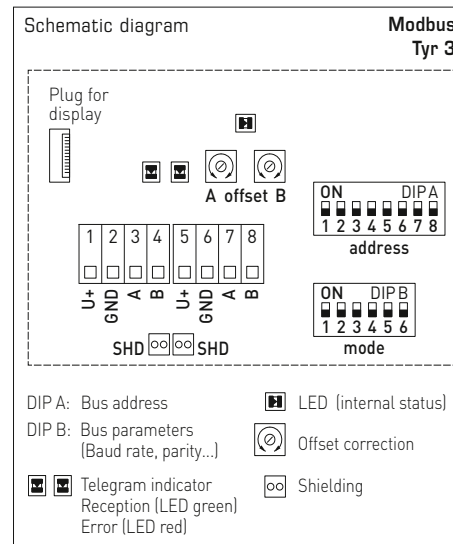
RPFTF-Modbus-T3 ($\pm 2.0\%$)
RPFTF-20-Modbus-T3 ($\pm 1.8\%$)



Device version with **M12 connector** (optional on request)

TECHNICAL DATA

Voltage supply:	24 V AC ($\pm 20\%$); 15...36 V DC
Power consumption:	< 1.2 W / 24 V DC; < 1.8 VA / 24 V AC
System of units:	SI (default) or Imperial (switchable via Modbus)
Data points:	temperature [$^\circ\text{C}$] [$^\circ\text{F}$], relative humidity [% RH], dew point [$^\circ\text{C}$] [$^\circ\text{F}$], absolute humidity [g/m^3] [gr/ft^3], mixing ratio [g/kg] [gr/lb], enthalpy [kJ/kg] [Btu/lb]
Sensor:	digital humidity sensor with integrated temperature sensor , low hysteresis, high long-term stability
Sensor protection:	plastic sinter filter , \varnothing 16 mm, L = 35 mm, exchangeable (optional metal sinter filter , \varnothing 16 mm, L = 32 mm)
Measuring range:	0...100% RH (humidity); $-35...+80\text{ }^\circ\text{C}$ (temperature)
Deviation, humidity:	RPFTF-Modbus: typically $\pm 2.0\%$ (20...80% RH) at $+25\text{ }^\circ\text{C}$, otherwise $\pm 3.0\%$ RPFTF-20-Modbus: typically $\pm 1.8\%$ (10...90% RH) at $+25\text{ }^\circ\text{C}$, otherwise $\pm 2.0\%$
Temperature deviation:	typically $\pm 0.2\text{ K}$ at $+25\text{ }^\circ\text{C}$
Zero point offset:	$\pm 10\%$ RH (humidity); $\pm 5\text{ }^\circ\text{C}$ (temperature)
Ambient temperature:	$-30...+70\text{ }^\circ\text{C}$
Medium:	clean air and non-aggressive, non-combustible gases
Bus protocol:	Modbus (RTU mode), address range 0...247 selectable
Baud rate:	9600, 19200, 38400 Baud
Signal filtering:	4 s / 32 s
Housing:	plastic, UV-resistant, material polyamide, 30% glass-globe reinforced, with quick-locking screws (slotted / Phillips head combination), colour traffic white (similar to RAL 9016), housing cover for display is transparent!
Housing dimensions:	108 x 78.5 x 43.3 mm (Tyr 3 without display) 108 x 78.5 x 45.8 mm (Tyr 3 with display)
Cable connection:	cable gland , plastic (2x M20 x 1.5; with strain relief, exchangeable, inner diameter 8 - 13 mm) or M12 connector according to DIN EN 61076-2-101 (optional on request)
Connection cable:	PVC, LiYY, 6 x 0.14 mm ² , KL = approx. 2 m (other lengths optional)
Protective tube:	stainless steel V2A (1.4301), \varnothing = 16 mm, NL = 142 mm
Electrical connection:	0.2 - 1.5 mm ² , using push-in terminals
Permissible air humidity:	< 95% RH, non-precipitating air
Protection class:	III (according to EN 60 730)
Protection type:	IP 65 (according to EN 60 529)
Standards:	CE conformity, electromagnetic compatibility according to EN 61326, according to EMC Directive 2014 / 30 / EU
Features:	Display with illumination , three-line, programmable, cutout approx. 51 x 29 mm (W x H), for displaying the actual humidity and actual temperature (cyclic) or a selectable parameter (static) or an individually programmable display value



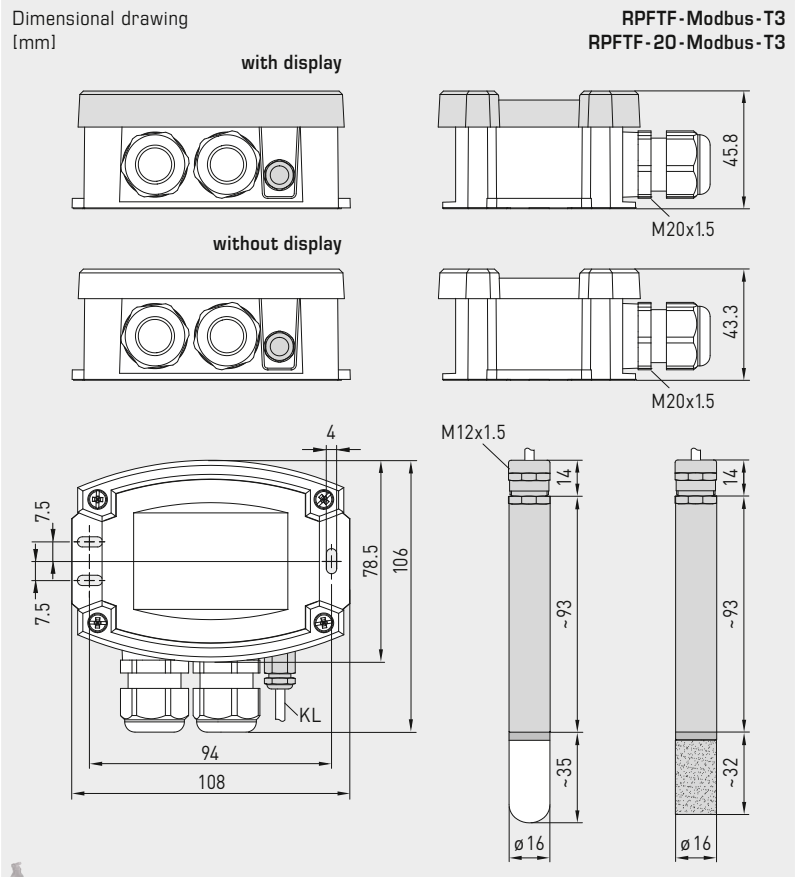


Wireless
W-Modbus
→ Onlineshop

S+S REGELTECHNIK

HYGRASGARD® RPFTF-Modbus-T3 HYGRASGARD® RPFTF-20-Modbus-T3

Pendulum room humidity and temperature sensors ($\pm 1.8\%$ / $\pm 2.0\%$),
for mixture ratio, relative/absolute humidity, dew point, enthalpy
and temperature, calibratable, with Modbus connection



RPFTF-Modbus-T3 ($\pm 2,0\%$)
RPFTF-20-Modbus-T3 ($\pm 1,8\%$)
with display



MF-16-K
Mounting flange,
plastic (optional)



SF-K
plastic sinter filter
(standard)



SF-M
metal sinter filter
(optional)



HYGRASGARD® RPFTF-Modbus-T3 Pendulum room humidity and temperature sensors ($\pm 2.0\%$)
HYGRASGARD® RPFTF-20-Modbus-T3 Pendulum room humidity and temperature sensors ($\pm 1.8\%$)

Type / WG01	Measuring Range / Readout Humidity (switchable)	Temperature	Output	Display	Item No.	Price
RPFTF-Modbus-T3						
						($\pm 2,0\%$)
RPFTF-Modbus-T3	0...100% RH (default) 0...80 g/kg (MV) 0...80 g/m ³ (a.F.) 0...85 kJ/kg (ENT.) -20...+80 °C (TP)	-35...+80 °C	Modbus		1201-6246-1000-000	305,21 €
RPFTF-Modbus-T3 LCD	(5x as above)	(1x as above)	Modbus	■	1201-6246-1400-000	392,80 €
RPFTF-20-Modbus-T3						
						($\pm 1,8\%$)
RPFTF-20-Modbus-T3	(5x as above)	(1x as above)	Modbus		1201-6246-1000-001	397,38 €
RPFTF-20-Modbus-T3 LCD	(5x as above)	(1x as above)	Modbus	■	1201-6246-1400-001	454,30 €
Extra charge:	per running metre of connecting lead (PVC) Cable connection with M12 connector according to DIN EN 61076-2-101				on request on request	
Note:	System of units SI (default) or imperial (can be changed via Modbus).					
ACCESSORIES						
KA2-Modbus	Communication adapter (USB/RS485) for system connection				1906-1200-0000-100	220,41 €
LA-Modbus	Line termination device (with terminating resistor) as an active bus termination				1906-1300-0000-100	82,20 €
SF-M	Metal sinter filter , $\varnothing 16$ mm, L = 32 mm, exchangeable, stainless steel V4A (1.4404)				7000-0050-2200-100	43,60 €
MF-16-K	Mounting flange plastic (optional)				7100-0030-0000-000	9,85 €

Showcase humidity and temperature sensor ($\pm 2.0\%$), for mixture ratio, relative/absolute humidity, dew point, enthalpy and temperature, calibratable, with Modbus connection

S+S REGELTECHNIK

Calibratable display cases humidity and temperature sensor **HYGRASGARD® VFTF-Modbus-T3**, with Modbus connection, in an impact-resistant plastic housing with quick-locking screws, optionally with/without display, cable sensor with a flat stainless steel probe (pluggable), to exactly detect the relative humidity (0...100% RH) and the temperature (-35...+80 °C) and to detect various parameters in humidity measurement. International system of units **SI** (default) can be switched to **Imperial** (via Modbus).

The display cases sensor is applied in a non-aggressive, dust-free environment and is specially suitable for installation in ceilings, walls, display cases or showcases. It is used in museums, galleries, cinemas, lecture halls or laboratories.

A long-term stable, **digital humidity and temperature sensor** guarantee exact measurement results. These measurands are used to internally calculate the following parameters that can be retrieved via Modbus: relative humidity, absolute humidity, mixture ratio, dew point, enthalpy (ignoring atmospheric air pressure) and ambient temperature.

Innovative Modbus sensor with galvanically separated RS485-Modbus-interface, selectable bus termination resistance, DIP switch for setting the bus parameters and bus address in current-free state, internal LEDs for telegram status display, two separate push-in terminals and large three-line display (illuminated; with customised programming in the 7-segment and dot-matrix range). The sensor is factory-calibrated; an environmental precision adjustment by an expert is possible.

VFTF-Modbus-T3

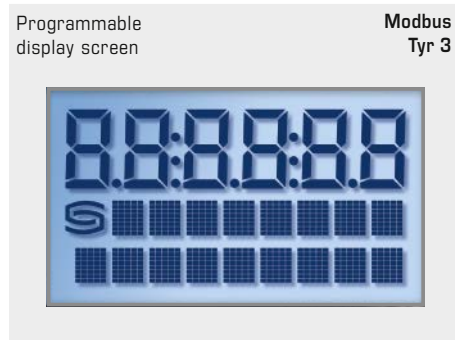
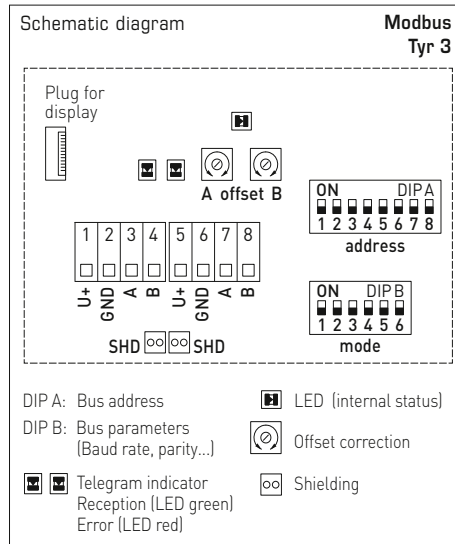


Device version with **M12 connector** (optional on request)



TECHNICAL DATA

Voltage supply:	24 V AC ($\pm 20\%$); 15...36 V DC
Power consumption:	< 1.2 W / 24 V DC; < 1.8 VA / 24 V AC
System of units:	SI (default) or Imperial (switchable via Modbus)
Data points:	temperature [°C] [°F], relative humidity [% RH], dew point [°C] [°F], absolute humidity [g/m³] [gr/ft³], mixing ratio [g/kg] [gr/lb], enthalpy [kJ/kg] [Btu/lb]
Sensor:	digital humidity sensor with integrated temperature sensor , low hysteresis, high long-term stability
Measuring range:	0...100% RH (humidity); -35...+80 °C (temperature)
Deviation, humidity:	$\pm 2.0\%$ (20...80% RH) at +25 °C, otherwise $\pm 3.0\%$
Deviation, temperature:	typically ± 0.2 K at +25 °C
Zero point offset:	$\pm 10\%$ RH (humidity); ± 5 °C (temperature)
Ambient temperature:	-30...+70 °C
Medium:	clean air and non-aggressive, non-combustible gases
Bus protocol:	Modbus (RTU mode), address range 0...247 selectable
Baud rate:	9600, 19200, 38400 Baud
Signal filtering:	4 s / 32 s
Housing:	plastic, UV-resistant, material polyamide, 30% glass-globe reinforced, with quick-locking screws (slotted / Phillips head combination), colour traffic white (similar to RAL 9016), housing cover for display is transparent!
Housing dimensions:	108 x 78.5 x 43.3 mm (Tyr3 without display) 108 x 78.5 x 45.8 mm (Tyr3 with display)
Cable connection:	cable gland , plastic (2x M20 x 1.5; with strain relief, exchangeable, inner diameter 8 - 13 mm) or M12 connector according to DIN EN 61076-2-101 (optional on request)
Connection cable:	PVC, LiYY, 4 x 0.14 mm², KL = approx. 2 m (other lengths optional)
Sensor protection:	probe made of stainless steel, V4A (1.4571), pluggable ; sensor head $\varnothing = 17$ mm, H = approx. 2.5 mm; protective sleeve $\varnothing = 10$ mm, NL = approx. 25 mm, M10 x 1.0; with plastic plug connector $\varnothing =$ approx. 11 mm, NL = approx. 25 mm
Mounting (sensor):	cut-out $\varnothing = 11 - 15$ mm, (EL) = approx. 50 mm, lock nut for fixing is included in the scope of delivery.
Electrical connection:	0.2 - 1.5 mm², using push-in terminals
Permissible air humidity:	< 95% RH, non-precipitating air
Protection class:	III (according to EN 60 730)
Protection type:	IP 65 (according to EN 60 529)
Standards:	CE conformity, electromagnetic compatibility according to EN 61326, according to EMC Directive 2014 / 30 / EU
Features:	Display with illumination , three-line, programmable, cutout approx. 51 x 29 mm (W x H), for displaying the actual humidity and actual temperature (cyclic) or a selectable parameter (static) or an individually programmable display value



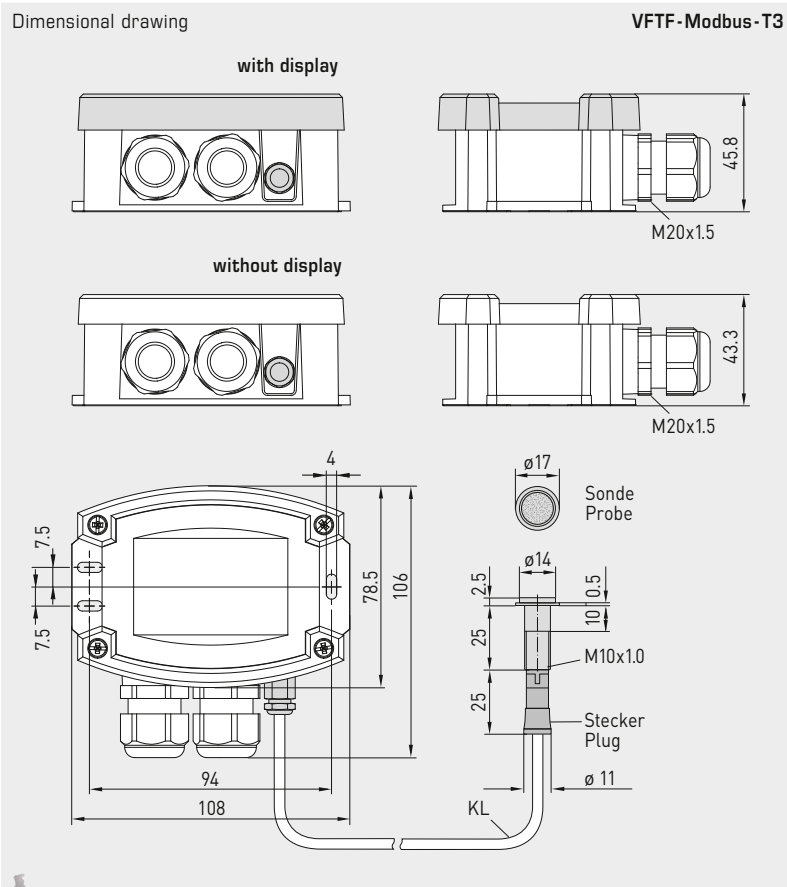


Wireless
W-Modbus
→ Onlineshop

S+S REGELTECHNIK

HYGRASGARD® VFTF-Modbus-T3

Showcase humidity and temperature sensor ($\pm 2.0\%$),
for mixture ratio, relative/absolute humidity, dew point, enthalpy
and temperature, calibratable, with Modbus connection



VFTF-Modbus-T3
with display



Probe
made of stainless steel,
pluggable

HYGRASGARD® VFTF-Modbus-T3 Showcase humidity and temperature sensor ($\pm 2.0\%$), Premium						
Type/WG01	Measuring Range/Readout	Temperature	Output	Display	Item no.	Price
VFTF-Modbus-T3						
VFTF-Modbus-T3	0...100% RH (default) 0...80 g/kg (MV) 0...80 g/m ³ (a.F.) 0...85 kJ/kg (ENT.) -20...+80 °C (TP)	-35...+80 °C	Modbus		1201-6256-1000-000	556,65 €
VFTF-Modbus-T3 LCD	(5 x as above)	(1 x as above)	Modbus	■	1201-6256-1400-000	616,72 €
Extra charge:	cable length (KL = approx. 2 m), other lengths optional				on request	
	Cable connection with M12 connector according to DIN EN 61076-2-101				on request	
Note:	System of units SI (default) or imperial (can be changed via Modbus).					
ACCESSORIES						
KA2-Modbus	Communication adapter (with USB and RS485 interface) for system connection (incl. quick-start software)				1906-1200-0000-100	220,41 €
LA-Modbus	Line termination device (with terminating resistor) as an active bus termination of RS485 networks				1906-1300-0000-100	82,20 €

Dew point control switches, incl. strap / with detached sensor head ($\pm 2.0\%$), for mixture ratio, relative / absolute humidity, dew point, enthalpy and temperature, calibratable, with Modbus connection

S+S REGELTECHNIK

Patented quality product
 (pro-dynamic cross convection patent no. DE 10 2012 015 726.6)

Calibratable dew point control switch **HYGRASGARD® TW-Modbus-T3** (compact variant incl. strap) or **TW-Modbus-external** (detached variant), with Modbus connection, in an impact-resistant plastic housing with quick-locking screws, optionally with / without display, to exactly detect the relative humidity (0...100% RH) and the temperature (-35...+80 °C) and to detect various parameters in humidity measurement. The dew formation in particular is reliably determined thanks to its patented measuring method, the **pro-dynamic cross-convection** (no conductivity measurement). International system of units **SI** (default) can be switched to **Imperial** (via Modbus).

The surface-contact sensor is applied in a non-aggressive, dust-free environment and is suitable for installation in ceilings, ducts and devices. It is used in the refrigeration, air conditioning and clean room technology, engineering rooms, hotels and conference facilities.

A long-term stable, **digital humidity and temperature sensor** guarantee exact measurement results. These measurands are used to internally calculate the following parameters that can be retrieved via Modbus: relative humidity, absolute humidity, mixture ratio, dew point, enthalpy (ignoring atmospheric air pressure) and ambient temperature.

Innovative Modbus sensor with galvanically separated RS485-Modbus-interface, selectable bus termination resistance, DIP switch for setting the bus parameters and bus address in current-free state, internal LEDs for telegram status display, two separate push-in terminals and large three-line display (illuminated; with customised programming in the 7-segment and dot-matrix range). The sensor is factory-calibrated; an environmental precision adjustment by an expert is possible.

TW-Modbus-T3
 (compact variant)



Device version with **M12 connector** (optional on request)



TW-extern-Modbus-T3
 (detached variant)



TECHNICAL DATA

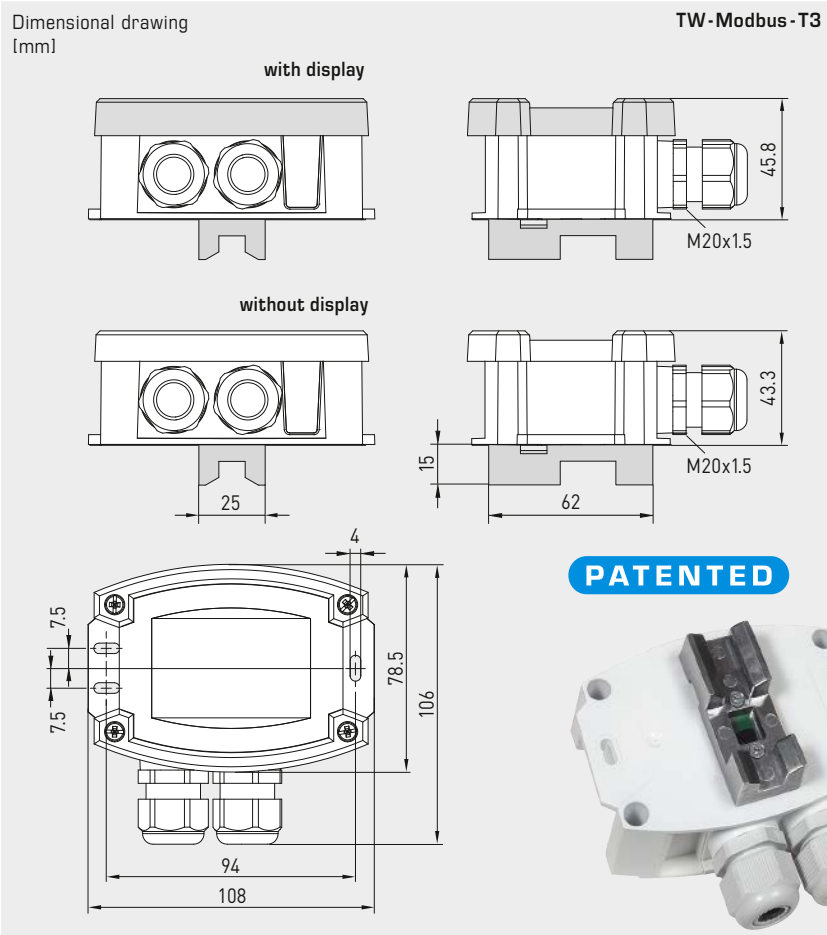
Voltage supply:	24 V AC ($\pm 20\%$); 15...36 V DC
Power consumption:	< 1.2 W / 24 V DC; < 1.8 VA / 24 V AC
System of units:	SI (default) or Imperial (switchable via Modbus)
Data points:	temperature [°C] [°F], relative humidity [% RH], dew point [°C] [°F], absolute humidity [g/m³] [gr/ft³], mixing ratio [g/kg] [gr/lb], enthalpy [kJ/kg] [Btu/lb]
Sensor:	digital humidity sensor with integrated temperature sensor , low hysteresis, high long-term stability
Measuring range:	0...100% RH (humidity); -35...+80 °C (temperature)
Deviation, humidity:	$\pm 2.0\%$ (20...80% RH) at +25 °C, otherwise $\pm 3.0\%$
Deviation, temperature:	typically $\pm 0.2\text{K}$ at +25 °C
Zero point offset:	$\pm 10\%$ RH (humidity); $\pm 5\text{ °C}$ (temperature)
Ambient temperature:	-30...+70 °C
Medium:	clean air and non-aggressive, non-combustible gases
Bus protocol:	Modbus (RTU mode), address range 0...247 selectable
Baud rate:	9600, 19200, 38400 Baud
Signal filtering:	4 s / 32 s
Housing:	plastic, UV-resistant, material polyamide, 30% glass-globe reinforced, with quick-locking screws (slotted / Phillips head combination), colour traffic white (similar to RAL 9016), housing cover for display is transparent!
Housing dimensions:	108 x 78.5 x 43.3 mm (Tyr 3 without display) 108 x 78.5 x 45.8 mm (Tyr 3 with display)
Cable connection:	cable gland , plastic (2x M20 x 1.5; with strain relief, exchangeable, inner diameter 8 - 13 mm) or M12 connector according to DIN EN 61076-2-101 (optional on request)
Prozessanschluss:	endless strap with metal tightener, 300 mm, for pipes up to 3"
Sensor protection:	membrane filter
Mounting:	TW-Modbus with strap for direct mounting on pipes or for direct mounting on flat surfaces (e.g. walls, ceilings) TW-Modbus-external with detached sensor head (cable length KL = 1.5 m) for mounting on pipes
Electrical connection:	0.2 - 1.5 mm², using push-in terminals
Permissible air humidity:	< 95% RH, non-precipitating air
Protection class:	III (according to EN 60 730)
Protection type:	IP 65 (according to EN 60 529)
Standards:	CE conformity, electromagnetic compatibility according to EN 61326, according to EMC Directive 2014 / 30 / EU
Features:	Display with illumination , three-line, programmable, cutout approx. 51 x 29 mm (W x H), for displaying the actual humidity and actual temperature (cyclic) or a selectable parameter (static) or an individually programmable display value



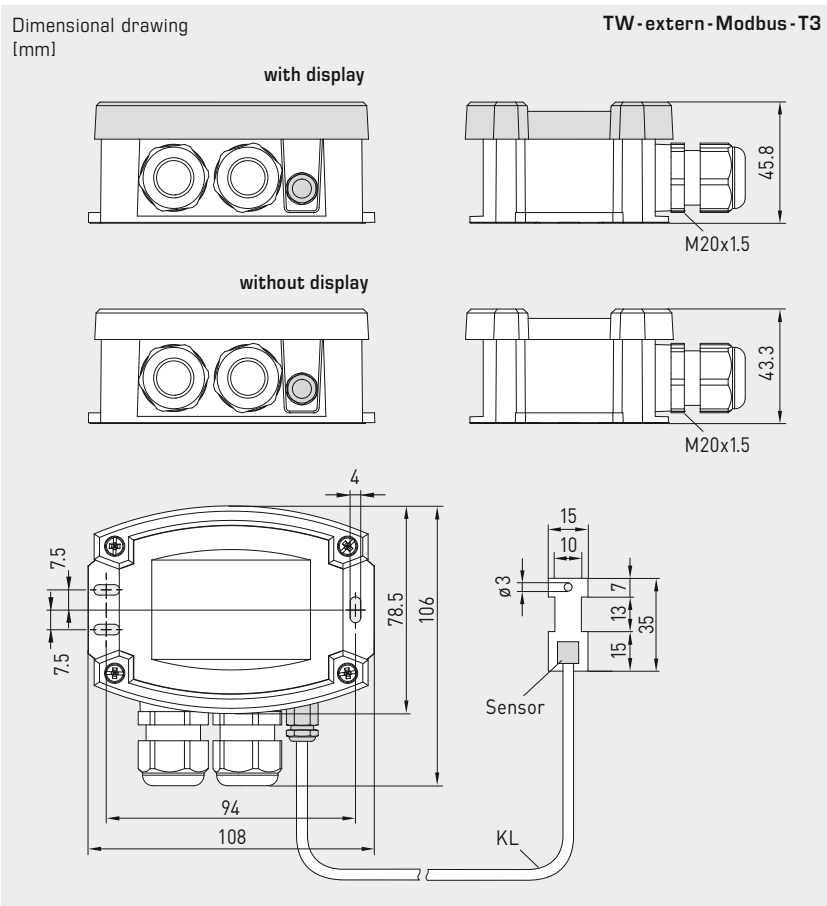
Wireless
W-Modbus
→ Onlineshop

S+S REGELTECHNIK

Dew point control switches, incl. strap / with detached sensor head ($\pm 2.0\%$),
for mixture ratio, relative / absolute humidity, dew point, enthalpy
and temperature, calibratable, with Modbus connection



TW-Modbus-T3
(compact variant)
with display



TW-extern-Modbus-T3
(detached variant)
with display

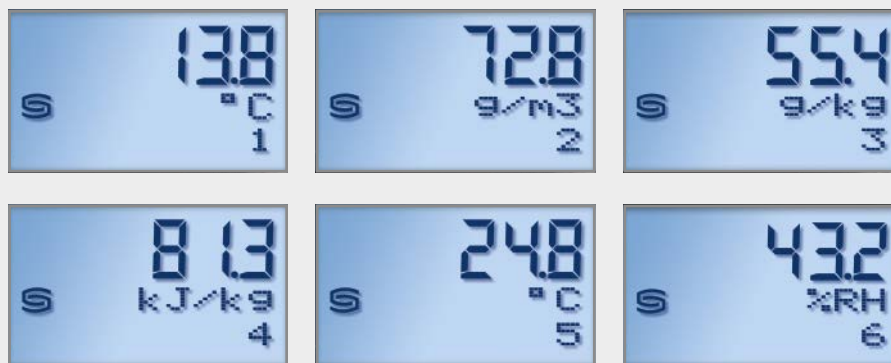


Dew point control switches, incl. strap/with detached sensor head ($\pm 2.0\%$), for mixture ratio, relative/absolute humidity, dew point, enthalpy and temperature, calibratable, with Modbus connection

Display screen (cyclic) standard



Display screen (static) alternative output variables



HYGRASGARD® Modbus-T3

The display value depends on the set **unit system**. By default, the display alternates between the **actual temperature** and the **actual humidity** (relative humidity).

The Modbus interface can be used to program an **alternative output variable** instead of the standard display. In this case, the first line indicates the value while the second line indicates the corresponding unit **statically**. The index in the third line indicates the display type:

- Index 1 = dew point
- Index 2 = absolute humidity
- Index 3 = mixture ratio
- Index 4 = enthalpy
- Index 5 = temperature
- Index 6 = relative humidity

Programmable display screen Modbus Tyr 3



The Modbus interface allows the display to be **individually** configured both in the 7-segment area and in the dot-matrix area.

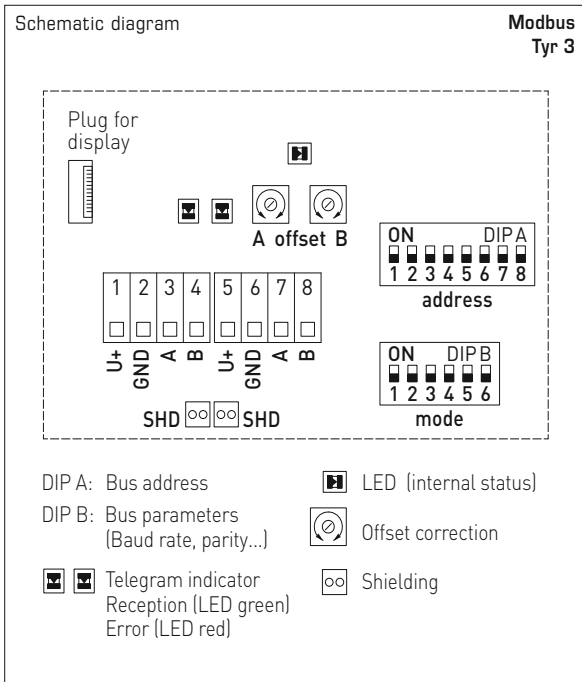
Switchable system of units

Measured values / data points	SI (default)	→	Imperial
	Temperature	[°C]	→
Humidity	[% RH]	→	[% RH]
Dew point	[°C]	→	[°F]
Absolute humidity	[g/m³]	→	[gr/ft³]
Mixing ratio	[g/kg]	→	[gr/lb]
Enthalpy	[kJ/kg]	→	[Btu/lb]

Measuring ranges	SI (default)	→	Imperial
		-35...+80 °C	→
	0...100 % RH	→	0...100 % RH
Alternative parameters are calculated.			



Dew point control switches, incl. strap /with detached sensor head ($\pm 2.0\%$), for mixture ratio, relative/absolute humidity, dew point, enthalpy and temperature, calibratable, with Modbus connection



TW - Modbus - T3 with display



HYGRASGARD® TW - Modbus - T3 Dew point control switches, incl. strap ($\pm 2.0\%$)
HYGRASGARD® TW - external - Modbus - T3 Dew point control switches, with detached sensor head ($\pm 2.0\%$)

Type / WG01	Measuring Range / Readout Humidity (switchable)	Temperature	Output	Item No. Display	Price
TW - Modbus - T3					
TW-Modbus-T3	0 ... 100% RH (default) 0 ... 80 g / kg (MR) 0 ... 80 g / m ³ (A.H.) 0 ... 85 kJ / kg (ENT.) -20 ... +80 °C (DP)	-35 ... +80 °C	Modbus	1201-1281-3001-020	196,17 €
TW-Modbus-T3 LCD	(5x as above)	(1x as above)	Modbus	■ 1201-1281-3401-020	252,61 €
TW - external - Modbus - T3					
TW-extern-Modbus-T3	0 ... 100% RH (default) 0 ... 80 g / kg (MR) 0 ... 80 g / m ³ (A.H.) 0 ... 85 kJ / kg (ENT.) -20 ... +80 °C (DP)	-35 ... +80 °C	Modbus	1201-1281-3001-030	214,63 €
TW-extern-Modbus-T3 LCD	(5x as above)	(1x as above)	Modbus	■ 1201-1281-3401-030	256,50 €
Optional:	Cable connection with M12 connector according to DIN EN 61076-2-101 on request				
Note:	System of units SI (default) or imperial (can be changed via Modbus).				
ACCESSORIES					
KA2-Modbus	Communication adapter (with USB and RS485 interface) for system connection (incl. quick-start software)			1906-1200-0000-100	220,41 €
LA-Modbus	Line termination device (with terminating resistor) as an active bus termination of RS485 networks			1906-1300-0000-100	82,20 €

PREMASGARD® 232x - Modbus -T3

PREMASGARD® 232x - wModbus



Pressure and differential pressure measuring transducers,
incl. connection set,
with Modbus connection or W-Modbus (wireless)

S+S REGELTECHNIK

Maintenance-free pressure sensor **PREMASGARD® 232x-Modbus-T3** (series) with Modbus connection, in an impact-resistant plastic housing with quick-locking screws, connection nozzles for pressure hose (Ø 6 mm), with cable gland (optionally M12 connector according to DIN EN 61076-2-101), optionally with/without display, for measuring the differential pressure (max. 7000 Pa) in air. International system of units **SI** (default) can be switched to **Imperial** (via Modbus). Incl. mounting flange and connection set **ASD-06** (2 m connecting hose, two pressure port nipples, screws). With **wModbus** device version, the W-Modbus (wireless) replaces the RTU cable; the BMS connection is radio-based using a W-Modbus gateway.

The sensor is applied to measure positive, negative or differential pressure in clean air and gaseous media. It is used in the clean room, medical and filter technology, ventilation and air conditioning ducts, spray booths, large-scale catering facilities, for filter monitoring and level measurement or for triggering frequency converters. A **pressure sensor** with piezoresistive measuring element guarantees exact measurement results.

Innovative Modbus sensor with galvanically isolated RS485 Modbus interface, switchable bus terminating resistor, DIP switch for setting in de-energised state, internal LEDs for telegram status indication, Push terminals and large three-line display (illuminated, individually programmable). The sensor is factory-calibrated; an environmental precision adjustment by an expert is possible.

PREMASGARD® 232x - Modbus -T3
without display



TECHNICAL DATA

Power supply:	24 V AC (±20%) and 15...36 V DC
Power consumption:	< 1.2 W / 24 V DC; < 1.8 VA / 24 V AC
System of units:	SI (default) or Imperial (switchable via Modbus)
Data points:	Differential pressure [Pa] [inWC]
Pressure type:	Differential pressure
Pressure connection:	with connection nozzles for pressure hose Ø 6 mm
Measuring range, pressure:	-500... +500 Pa or -7000...+7000 Pa depending on the device type, see table
Pressure accuracy:	Type 2328 (500 Pa): typical ± 3 Pa at +25 °C Type 2327 (7000 Pa): typical ± 35 Pa at +25 °C compared to a calibrated reference device
Above- / below-pressure:	max. ± 50 kPa
Zero point offset:	± 5 % measuring range
Hysteresis:	0.3 % of final value
Linearity:	< ± 1 % of final value
Temp. drift values:	± 0.1 % per °C
Long-term stability:	± 1 % per year
Communication:	Modbus RTU (RS485 interface for RTU cable) or W-Modbus (Wireless Modbus with 2.4 GHz ISM)
Bus protocol:	Modbus (RTU mode), address range 0... 247 adjustable
Baud rate:	9600, 19200, 38400 Baud (with RTU cable)
Signal filtering:	0 s / 1 s / 10 s
Medium:	clean air and non-aggressive, non-combustible gases
Media contacting parts:	Brass, Ni, Duroplast, Si, epoxy, RTV, BSG, UV silicone gel
Media temperature:	-20...+50 °C (temperature-compensated 0...+50 °C)
Housing:	plastic, UV-resistant, polyamide material, 30 % glass-globe reinforced, with quick-locking screws (slotted / Phillips head combination), colour traffic white (similar to RAL 9016), housing cover for display is transparent!
Housing dimensions:	108 x 78.5 x 43.3 mm (Tyr 3 without display) 108 x 78.5 x 45.8 mm (Tyr 3 with display)
Cable connection:	cable gland , plastic (M20 x 1.5; with strain relief, exchangeable, inner diameter 8 - 13 mm) or M12 connector according to DIN EN 61076-2-101 (optional on request)
Electrical connection:	0.2 - 1.5 mm ² , via push-in terminals
Permissible humidity:	< 95 % RH, (non-precipitating air)
Protection class:	III (according to EN 60 730)
Safety class:	IP 65 (according to EN 60 529)
Standards:	CE-conformity, electromagnetic compatibility according to EN 61326, EMC directive 2014 / 30 / EU, Radio Directive ETSI 300 328 V2.2.2
Optional:	three-line display with illumination , programmable, cut-out approx. 51 x 29 mm (W x H), to display the actual pressure or an individually programmable display value

PREMASGARD® 232x - wModbus
without display



Device version
with **M12 connector**
(optional on request)



Programmable
display screen

Tyr 3





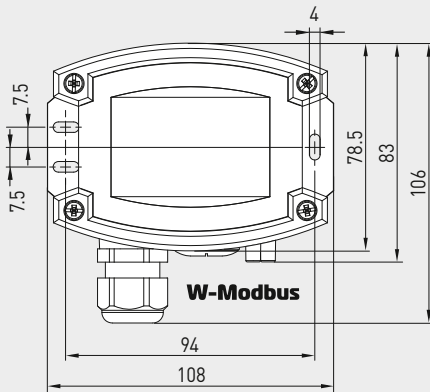
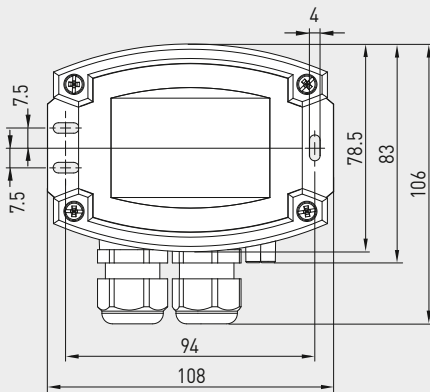
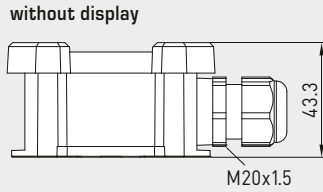
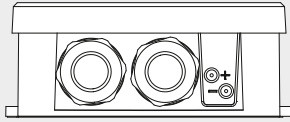
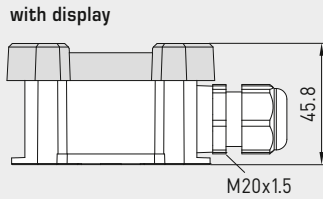
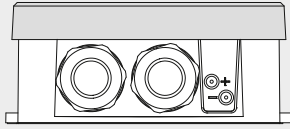
NEW

S+S REGELTECHNIK

PREMASGARD® 232x - Modbus - T3 PREMASGARD® 232x - wModbus

Pressure and differential pressure measuring transducers,
incl. connection set,
with Modbus connection or W-Modbus (wireless)

Dimensional drawing
[mm]



PREMASGARD® 232x - Modbus - T3
with display

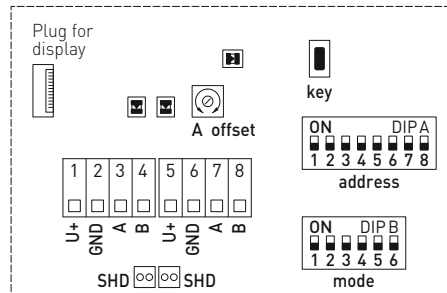


PREMASGARD® 232x - wModbus
with display



Schematic diagram
(Tyr3)

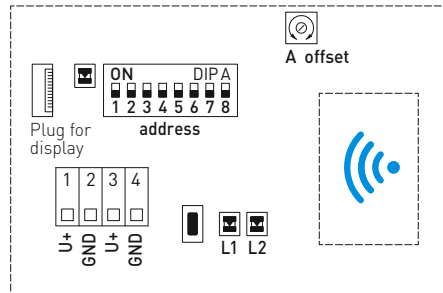
Modbus
(RTU cable)



- DIP A: Bus address
- DIP B: Bus parameters (Baud rate, parity...)
- Telegram indicator Reception (LED green) Error (LED red)
- LED (internal status)
- Offset correction
- Button „key“ (auto zero)
- Shielding

Schematic diagram
(Tyr3)

W-Modbus
(Wireless)

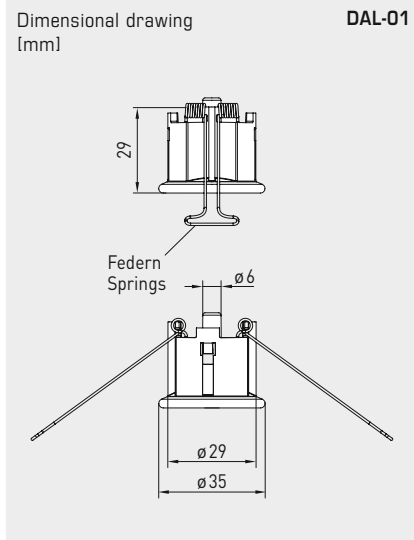
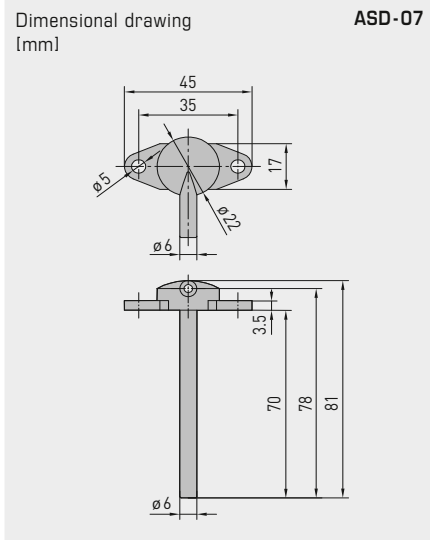
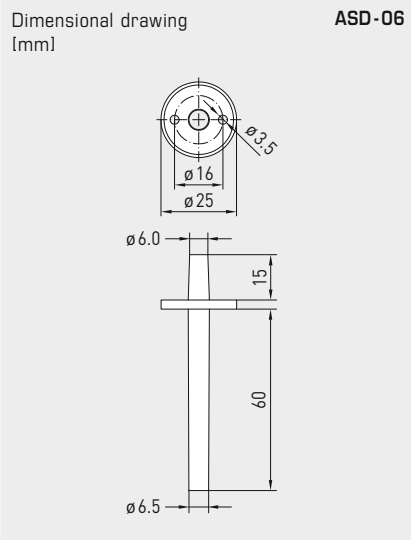


- LED: Telegram indicator
- DIP A: Bus address
- Button: Teach-in key
- LED 1: Network Status
- LED 2: Connection quality

WS-04
Weather and sun protection hood
(optional)



Pressure and differential pressure measuring transducers,
 incl. connection set,
 with Modbus connection or W-Modbus (wireless)



ASD-06
 Connection set

ASD-07
 Connection nipple

DAL-01
 Pressure outlet



ACCESSORIES

ASD-06	Connection set (included in the scope of delivery) , consisting of 2 connection nipples (straight) made of ABS, 2 m PVC hose (soft, UV-resistant) and 4 screws	7100-0060-3000-000	7,87 €
ASD-07	2 connection nipples (at 90 degree angle) made of plastic, ABS	7100-0060-7000-000	7,87 €
DAL-01	Pressure outlet for ceiling or in-wall installation (e.g. in clean rooms)	7300-0060-3000-001	36,84 €
WS-04	Weather and sun protection hood , 130 x 180 x 135 mm, stainless steel V2A (1.4301)	7100-0040-7000-000	38,61 €

For further information, see chapter Accessories!

MODBUS ACCESSORIES

KA2-Modbus	Communication adapter (USB/RS485) for system connection	1906-1200-0000-100	220,41 €
LA-Modbus	Line termination device (with terminating resistor) as an active bus termination	1906-1300-0000-100	82,20 €
GW-wModbus	Gateway with W-Modbus module, for radio-based connection to Modbus networks	1801-1211-1101-000	229,00 €

For further information see the end of the chapter!

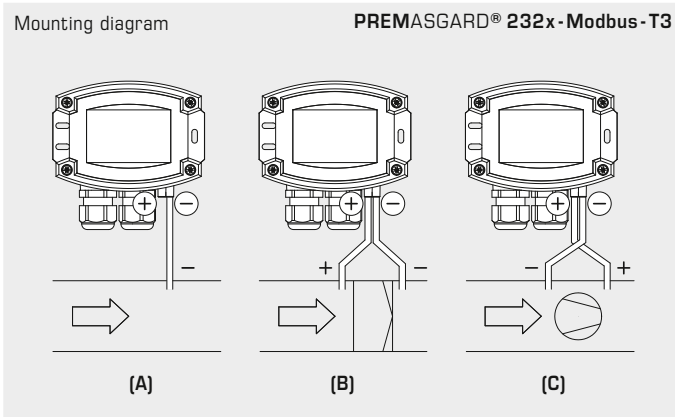


NEW

S+S REGELTECHNIK

PREMASGARD® 232x - Modbus - T3 PREMASGARD® 232x - wModbus

Pressure and differential pressure measuring transducers,
incl. connection set,
with Modbus connection or W-Modbus (wireless)



TYPES OF MONITORING

Pressure connections at the pressure switch are marked with P1 (+) for higher pressure and P2 (-) for lower pressure.

(A) Below-atmospheric pressure

P1 (+) is not connected, but open to the atmosphere
P2 (-) connected to inside of duct

(B) Filter

P1 (+) connected upstream of filter
P2 (-) connected downstream of filter

(C) Ventilator

P1 (+) connected downstream of ventilator
P2 (-) connected upstream of ventilator

Switchable system of units

Measurements / Data points	SI (default) → Imperial
Differential pressure	[Pa] → [inWC]

Measuring ranges	SI (default) → Imperial
Type 2328	-500...+500 Pa → -2.0...+2.0 inWC
Type 2327	-7000...+7000 Pa → -28...+28 inWC



PREMASGARD® 232x - wModbus
with/without display

PREMASGARD® 232x - Modbus - T3
with/without display

Measuring Range Pressure	Type / WG02	Output	Display	Item No.	Price
PREMASGARD® 232x - Modbus - T3 232x - wModbus Pressure sensor, differential pressure measuring transducer with with Modbus connection (RTU cable) or with W-Modbus (Wireless)					
± 500 Pa Type 2328					
- 500 ... + 500 Pa	PREMASGARD 2328-Modbus	Modbus		1301-12C4-0910-200	208,96 €
	PREMASGARD 2328-Modbus LCD	Modbus	■	1301-12C4-4910-200	262,89 €
	PREMASGARD 2328-wModbus	W-Modbus		1301-12CF-0910-200	248,96 €
	PREMASGARD 2328-wModbus LCD	W-Modbus	■	1301-12CF-4910-200	302,89 €
± 7000 Pa Type 2327					
- 7000 ... + 7000 Pa	PREMASGARD 2327-Modbus	Modbus		1301-12C4-0950-200	208,96 €
	PREMASGARD 2327-Modbus LCD	Modbus	■	1301-12C4-4950-200	262,89 €
	PREMASGARD 2327-wModbus	W-Modbus		1301-12CF-0950-200	248,96 €
	PREMASGARD 2327-wModbus LCD	W-Modbus	■	1301-12CF-4950-200	302,89 €
Optional:	Cable connection with M12 connector (male, 5-pin, A-code)				
Note:	System of units SI (default) or Imperial (switchable via Modbus).				

**Pressure sensor and measuring transducer for differential pressure and volume flow,
incl. connection set, calibratable, with Modbus connection**

S+S REGELTECHNIK

Maintenance-free, microprocessor-controlled **PREMASGARD® 714x-Modbus** (series) with Modbus connection, in an impact-resistant plastic housing with quick-locking screws, connection nozzles for pressure hose (Ø 6 mm), with cable gland or M12 connector according to DIN EN 61076-2-101, optionally with/without display, for measuring the differential pressure (max. ± 7000 Pa) in air. International system of units **SI** (default) can be switched to **Imperial** (via Modbus). Incl. mounting flange and connection set **ASD-06** (2 m connecting hose, two pressure port nipples, screws).

The pressure sensor is applied to measure positive, negative or differential pressure in clean air and gaseous media. It is used in the clean room, medical and filter technology, ventilation and air conditioning ducts, spray booths, large-scale catering facilities, for filter monitoring and level measurement or for triggering frequency converters. A **pressure sensor** with piezoresistive measuring element guarantees exact measurement results. The following measured values can be accessed via the Modbus: Differential pressure, volume flow.

Innovative Modbus sensor with galvanically separated RS485 Modbus interface, selectable bus termination resistance, DIP switch for setting the bus parameters and bus address in current-free state, internal LEDs for telegram status display, two separate push-in terminals and large three-line display (illuminated; with customised programming in the 7-segment and dot-matrix range). The sensor is factory-calibrated; an environmental precision adjustment by an expert is possible.

PREMASGARD® 714x-Modbus

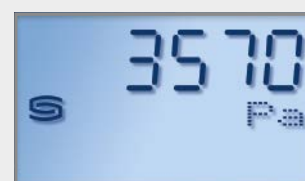
Device version
with **M12 connector**
(optional)

**TECHNICAL DATA**

Power supply:	24 V AC (± 20%) and 15...36 V DC
Power consumption:	< 4.8 W / 24 V DC typical; < 6.8 VA / 24 V AC typical
System of units:	SI (default) or Imperial (switchable via Modbus)
Data points:	Differential pressure [Pa] [inWC], Volume flow [m³/h] [CFM]
Pressure type:	Differential pressure
Pressure connection:	with connection nozzles for pressure hose Ø 6 mm (optional on request with quick connect for PVC fabric pressure hose Ø 6 mm)
Measuring range, pressure:	-500... +500 Pa or -7000...+7000 Pa depending on the device type, see table
Pressure accuracy:	Type 7148 (500 Pa): typical ± 13 Pa Type 7147 (7000 Pa): typical ± 105 Pa compared to a calibrated reference device
Above- / below-pressure:	max. ± 50 kPa
Zero point offset:	± 10 % measuring range
Hysteresis:	0.3 % of final value
Linearity:	< ± 1 % of final value
Temp. drift values:	± 0.1 % per °C
Long-term stability:	± 1 % per year
Bus protocol:	Modbus (RTU mode), address range 0... 247 adjustable
Baud rate:	9600, 19200, 38400 Baud
Signal filtering:	0 s / 1 s / 10 s
Medium:	clean air and non-aggressive, non-combustible gases
Media contacting parts:	Brass, Ni, Duroplast, Si, epoxy, RTV, BSG, UV silicone gel
Media temperature:	-20...+50 °C (temperature-compensated 0...+50 °C)
Ambient temperature:	-30...+70 °C
Permissible humidity:	0...95 % RH (non-precipitating air)
Housing:	plastic, UV-resistant, polyamide material, 30 % glass-globe reinforced, with quick-locking screws (slotted / Phillips head combination), colour traffic white (similar to RAL 9016), housing cover for display is transparent!
Housing dimensions:	126 x 90 x 50 mm (Tyr 2)
Cable connection:	cable gland plastic (M 16 x 1.5; with strain relief, exchangeable, inner diameter 10.4 mm) or M12 connector according to DIN EN 61076-2-101 (optional)
Electrical connection:	0.2 - 1.5 mm², via push-in terminals
Protection class:	III (according to EN 60 730)
Safety class:	IP 65 (according to EN 60 529) in the built-in state
Standards:	CE-conformity, electromagnetic compatibility according to EN 61 326, EMC directive 2014 / 30 / EU
Optional:	three-line display with illumination , programmable, cut-out approx. 70 x 40 mm (W x H), to display the actual pressure or volume flow or an individually programmable display value
ACCESSORIES	see table
ASD-06	Connection set (nipple straight) (included in the scope of delivery)

Display screen
(SI or Imperial)

**Modbus
Tyr 2**



Pressure [Pa] [inWC]



Volume flow rate [m³/h] [CFM]

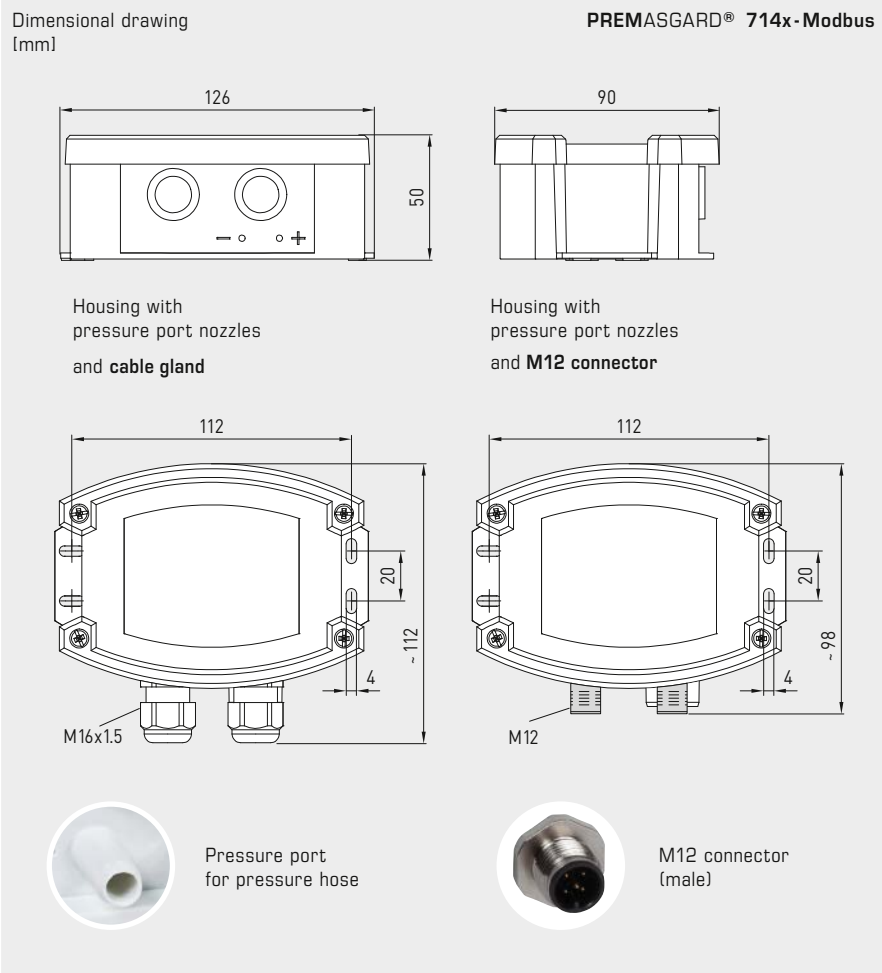
Programmable
display screen

**Modbus
Tyr 2**





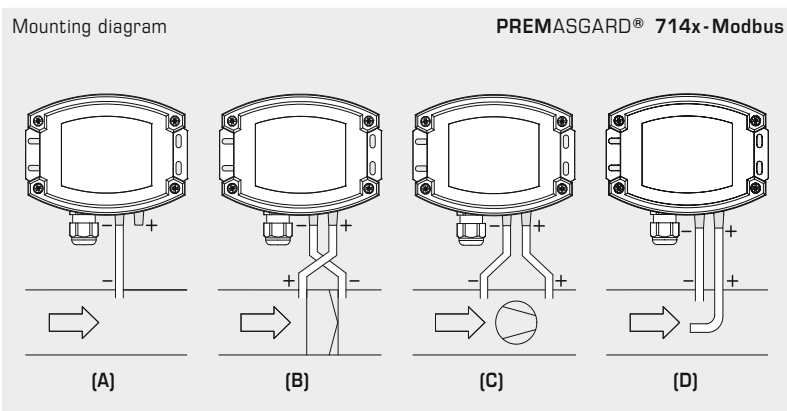
Pressure sensor and measuring transducer for differential pressure and volume flow, incl. connection set, calibratable, with Modbus connection



PREMASGARD® 714x-Modbus with display



Device version with cable gland (as standard)



TYPES OF MONITORING:

Pressure connections at the pressure switch are marked with P1 (+) for higher pressure and P2 (-) for lower pressure.

(A) Below-atmospheric pressure

P1 (+) is not connected, but open to the atmosphere
P2 (-) connected to inside of duct

(B) Filter

P1 (+) connected upstream of filter
P2 (-) connected downstream of filter

(C) Ventilator

P1 (+) connected downstream of ventilator
P2 (-) connected upstream of ventilator

(D) Volume flow

P1 (+) dynamic pressure, connected in flow direction
P2 (-) static pressure, connected free of dynamic pressure components

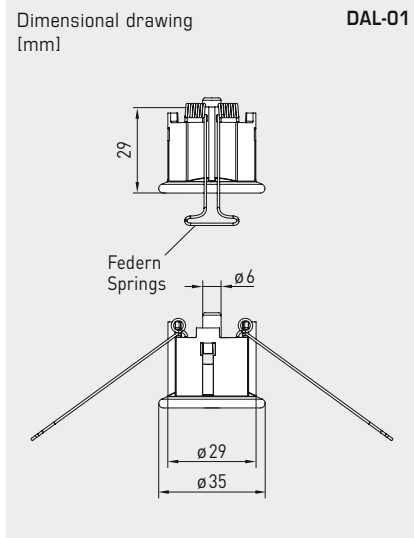
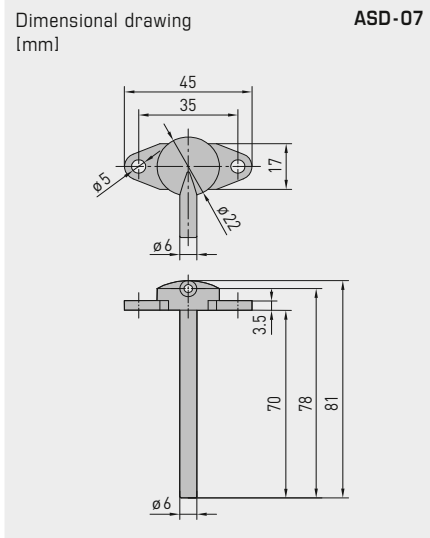
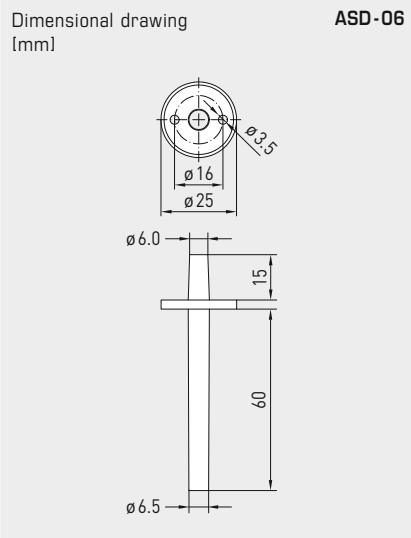
Switchable system of units

Measurements / Data points	SI (default)	→	Imperial
Differential pressure	[Pa]	→	[inWC]
Volume flow	[m³/h]	→	[CFM]

Measuring ranges	SI (default)	→	Imperial
Type 714B	-500...+500 Pa	→	-2.0...+2.0 inWC
Type 7147	-7000...+7000 Pa	→	-28...+28 inWC

Pressure sensor and measuring transducer for differential pressure and volume flow, incl. connection set, calibratable, with Modbus connection

S+S REGELTECHNIK



ASD-06
Connection set



ASD-07
Connection nipple



DAL-01
Pressure outlet



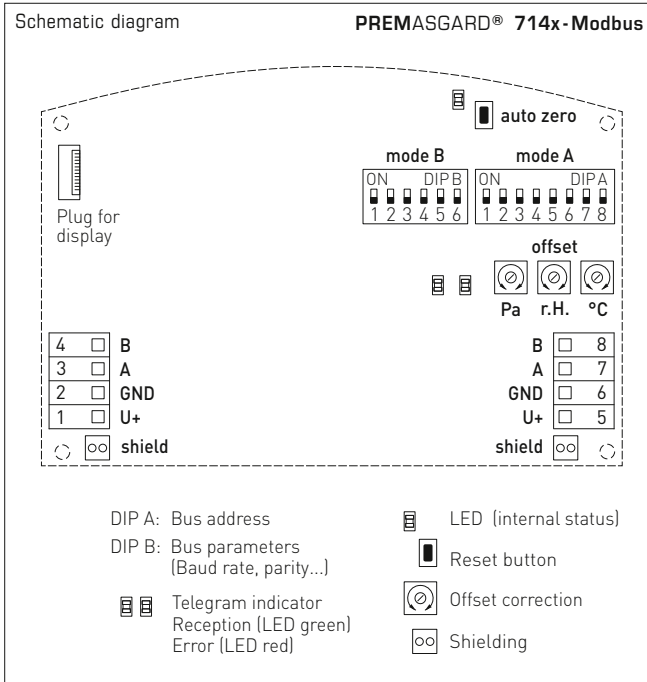
WS-03
Weather and sun protection hood (optional)

ACCESSORIES

KA2-Modbus	Communication adapter (USB/RS485) for system connection	1906-1200-0000-100	220,41 €
LA-Modbus	Line termination device (with terminating resistor) as an active bus termination	1906-1300-0000-100	82,20 €
ASD-06	Connection set (included in the scope of delivery) , consisting of 2 connection nipples (straight) made of ABS, 2 m PVC hose (soft, UV-resistant) and 4 screws	7100-0060-3000-000	7,87 €
ASD-07	2 connection nipples (at 90 degree angle) made of plastic, ABS	7100-0060-7000-000	7,87 €
DAL-01	Pressure outlet for ceiling or in-wall installation (e.g. in clean rooms)	7300-0060-3000-001	36,84 €
WS-03	Weather and sun protection hood , 200 x 180 x 150 mm, stainless steel V2A (1.4301)	7100-0040-6000-000	46,08 €

For further information, see chapter Accessories!

Pressure sensor and measuring transducer for differential pressure and volume flow, incl. connection set, calibratable, with Modbus connection



PREMASGARD® 714x-Modbus with display



PREMASGARD® 714x-Modbus		Pressure sensor and measuring transducer for differential pressure and volume flow, <i>Deluxe</i>			
Measuring Range	Type / WG02	Output	Display	Item no.	Price
Pressure / Volume Flow					
± 500 Pa	Type 7148				
- 500 ... + 500 Pa 44721 m³/h (k=2000)	PREMASGARD 7148-Modbus	Modbus		1301-7164-0910-20V	419,32 €
	PREMASGARD 7148-Modbus LCD	Modbus	■	1301-7164-4910-20V	466,04 €
	with automatic zero-point calibration as standard				
± 7000 Pa	Type 7147				
- 7000 ... + 7000 Pa 167332 m³/h (k=2000)	PREMASGARD 7147-Modbus	Modbus		1301-7164-0950-200	360,92 €
	PREMASGARD 7147-Modbus LCD	Modbus	■	1301-7164-4950-200	407,64 €
	with optional automatic zero point calibration				
	(Please specify in your order)			Extra charge	74,74 €
Optional:	Cable connection with M12 connector (male, 5-pin, A-code)				
Note:	System of units SI (default) or Imperial (switchable via Modbus).				

**Dual pressure sensor (2 measuring channels),
measuring transducer for differential pressure and volume flow,
incl. connection set, calibratable, with Modbus connection**

S+S REGELTECHNIK

Maintenance-free, microprocessor-controlled **PREMASGARD® 724x-Modbus** (series) with Modbus connection, in an impact-resistant plastic housing with quick-locking screws, connection nozzles for pressure hose (Ø 6 mm), with cable gland or M12 connector according to DIN EN 61076-2-101, optionally with/without display, for measuring the differential pressure (2 measuring channels, max. ± 7000 Pa) in air. Type variant **724xT** with connection facility for external **Pt1000** sensor (sensor element not included in the scope of delivery) for detecting the temperature (–50...+150°C). International system of units **SI** (default) can be switched to **Imperial** (via Modbus). Incl. connection set **ASD-06** (2 m connecting hose, two pressure port nipples, screws).

The pressure sensor is applied to measure positive, negative or differential pressure in clean air and gaseous media. It is used in the clean room, medical and filter technology, ventilation and air conditioning ducts, spray booths, large-scale catering facilities, for filter monitoring and level measurement or for triggering frequency converters. A **pressure sensor** with piezoresistive measuring element guarantees exact measurement results. The following measured values can be accessed via the Modbus: Differential pressure, volume flow and temperature.

Innovative Modbus sensor with galvanically separated RS485 Modbus interface, selectable bus termination resistance, DIP switch for setting the bus parameters and bus address in current-free state, internal LEDs for telegram status display, two separate push-in terminals and large three-line display (illuminated; with customised programming in the 7-segment and dot-matrix range). The sensor is factory-calibrated; an environmental precision adjustment by an expert is possible.

PREMASGARD® 724x-Modbus
with cable gland



PREMASGARD® 724x-Modbus-Q
with M12 connector



PREMASGARD® 724xT-Modbus
with cable gland



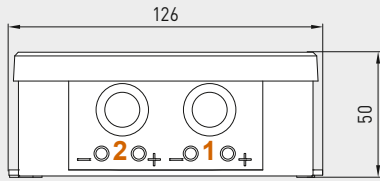
TECHNICAL DATA

Power supply:	24 V AC (± 20 %) and 15...36 V DC
Power consumption:	< 4.8 W / 24 V DC typical; < 6.8 VA / 24 V AC typical
System of units:	SI (default) or Imperial (switchable via Modbus)
Data points:	differential pressure [Pa] [inWC], volume flow [m³/h] [CFM], temperature [°C] [°F] – Type 724xT with connection facility for external Pt1000 sensor (–50...+150°C) (sensor element not included in the scope of delivery)
Pressure type:	differential pressure (2 measuring channels)
Pressure connection:	with connection nozzles for pressure hose Ø 6 mm
Measuring range, pressure:	–500... +500 Pa or –7000...+7000 Pa depending on the device type, see table
Pressure accuracy:	Type 724x (500 Pa): typically ± 13 Pa at +25 °C Type 724x (7000 Pa): typically ± 105 Pa at +25 °C compared to the calibrated reference device
Above- / below-pressure:	max. ± 50 kPa
Zero point offset:	± 10 % measuring range
Hysteresis:	0.3 % of final value
Linearity:	< ± 1 % of final value
Temp. drift values:	± 0.1 % per °C
Long-term stability:	± 1 % per year
Bus protocol:	Modbus (RTU mode), address range 0... 247 adjustable
Baud rate:	9600, 19200, 38400 Baud
Signal filtering:	0 s / 1 s / 10 s
Medium:	clean air and non-aggressive, non-combustible gases
Media contacting parts:	Brass, Ni, Duroplast, Si, epoxy, RTV, BSG, UV silicone gel
Media temperature:	–20...+50 °C (temperature-compensated 0...+50 °C)
Ambient temperature:	–30...+70 °C
Permissible humidity:	0...95 % RH (non-precipitating air)
Housing:	plastic, UV-resistant, polyamide material, 30 % glass-globe reinforced, with quick-locking screws (slotted / Phillips head combination), colour traffic white (similar to RAL 9016), housing cover for display is transparent!
Housing dimensions:	126 x 90 x 50 mm (Tyr 2)
Cable connection:	cable gland plastic (M 16 x 1.5; with strain relief, exchangeable, inner diameter 10.4 mm) or M12 connector according to DIN EN 61076-2-101 (optional)
Electrical connection:	0.2 - 1.5 mm², via push-in terminals
Protection class:	III (according to EN 60 730)
Safety class:	IP 65 (according to EN 60 529) in the built-in state
Standards:	CE-conformity, electromagnetic compatibility according to EN 61 326, EMC directive 2014 / 30 / EU
Optional:	three-line display with illumination , programmable, cut-out approx. 70 x 40 mm (W x H), to display the actual pressure or volume flow or an individually programmable display value
ACCESSORIES	see table

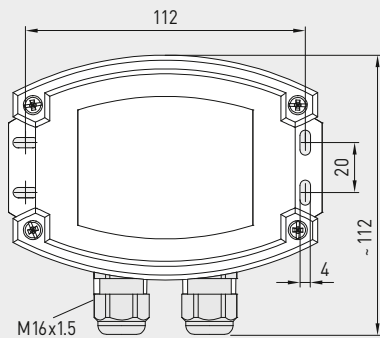


Dual pressure sensor (2 measuring channels), measuring transducer for differential pressure and volume flow, incl. connection set, calibratable, with Modbus connection

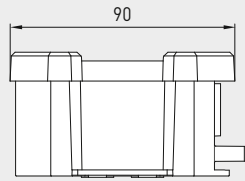
Dimensional drawing [mm]



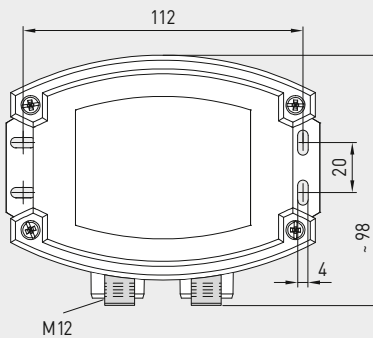
Housing with dual pressure connection (2 measuring channels) and cable gland



PREMASGARD® 724x-Modbus



Housing with dual pressure connection (2 measuring channels) and M12 connector (male)



PREMASGARD® 724x-Modbus with cable gland and display



PREMASGARD® 724x-Modbus-Q with M12 connector and display

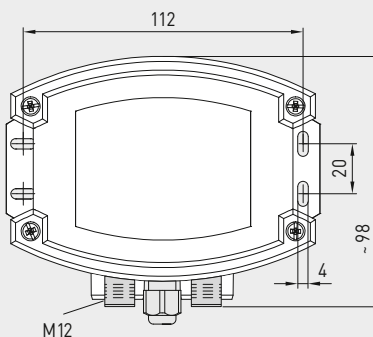
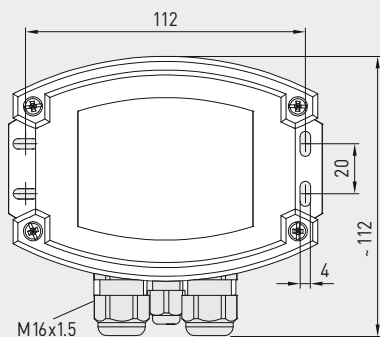


PREMASGARD® 724xT-Modbus with cable gland and display

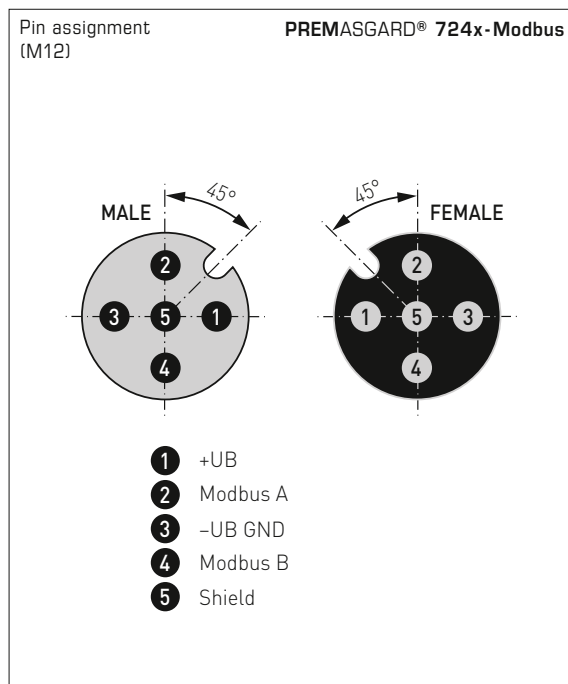
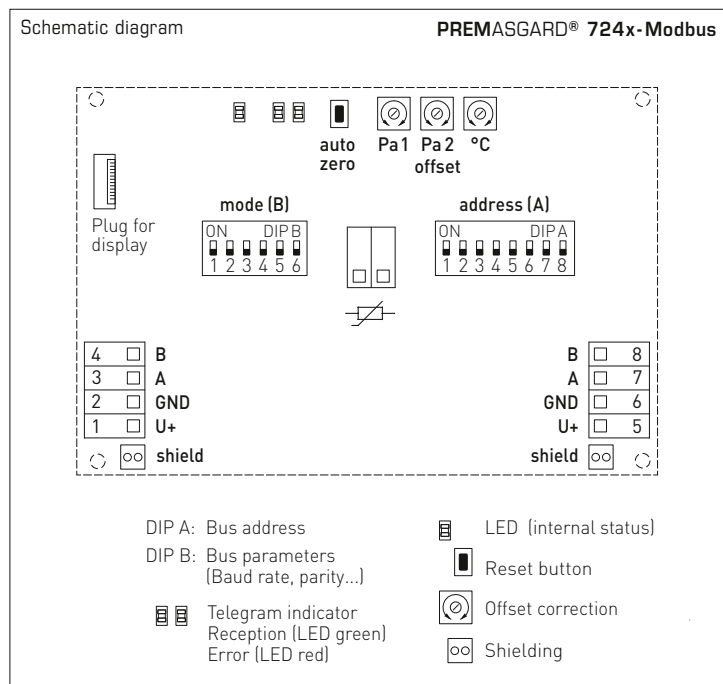


Dimensional drawing [mm]

PREMASGARD® 724xT-Modbus with connection facility for external Pt1000 sensor



Dual pressure sensor (2 measuring channels),
measuring transducer for differential pressure and volume flow,
incl. connection set, calibratable, with Modbus connection



Display screen (SI or Imperial) **PREMASGARD® 724x-Modbus**

Pressure (channel 1) [Pa] [inWC] Volume flow rate [m³/h] [CFM]

Pressure (channel 2) [Pa] [inWC] Temperature (type "T") [°C] [°F]

The display value depends on the set **unit system SI** (default) or **imperial** (can be changed via Modbus).

Actual **pressure** of both channels is shown alternately. The associated measuring channel is visible at the bottom left.

Alternatively, the calculated **volume flow** can also be issued for channel 1 (via the index).

For the device type "T", the actual **temperature** of an external **Pt1000** temperature sensor can also be displayed as cyclic (standard) or static (via the index).

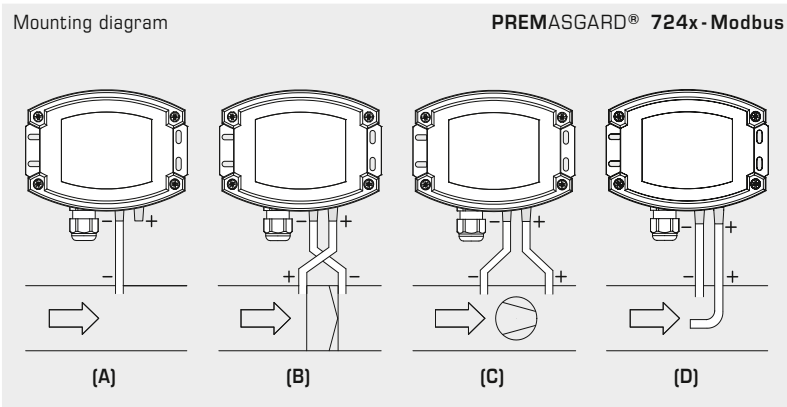
Programmable display screen **Modbus Tyr 2**



Dual pressure sensor (2 measuring channels), measuring transducer for differential pressure and volume flow, incl. connection set, calibratable, with Modbus connection



PREMASGARD® 724x-Modbus with display



TYPES OF MONITORING:

Pressure connections at the pressure switch are marked with P1 (+) for higher pressure and P2 (-) for lower pressure.

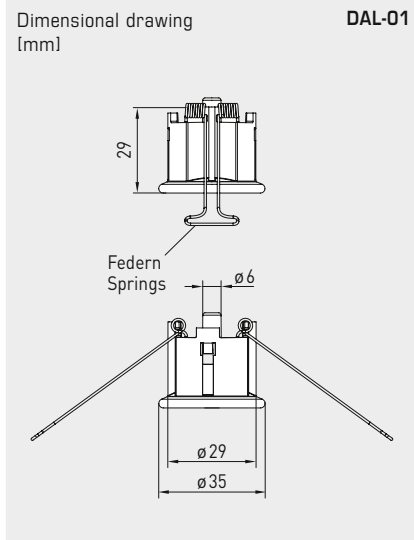
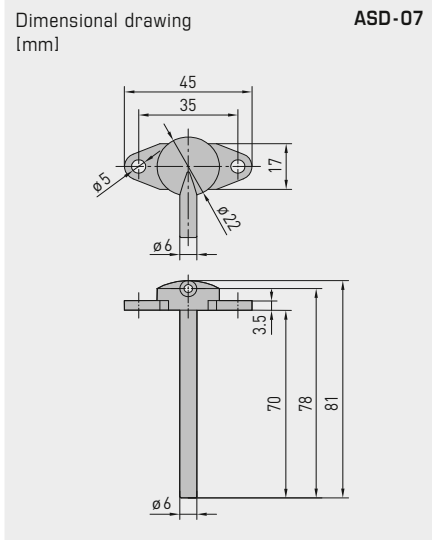
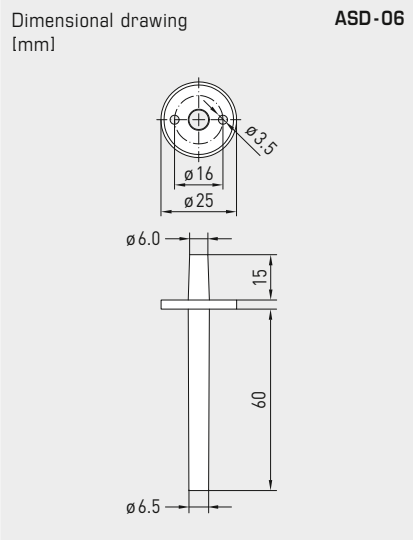
- (A) Below-atmospheric pressure**
P1 (+) is not connected, but open to the atmosphere
P2 (-) connected to inside of duct
- (B) Filter**
P1 (+) connected upstream of filter
P2 (-) connected downstream of filter
- (C) Ventilator**
P1 (+) connected downstream of ventilator
P2 (-) connected upstream of ventilator
- (D) Volume flow**
P1 (+) dynamic pressure, connected in flow direction
P2 (-) static pressure, connected free of dynamic pressure components

Switchable system of units

Measurements / Data points	SI (default)	→	Imperial
Differential pressure	[Pa]	→	[inWC]
Volume flow	[m³/h]	→	[CFM]
Temperature	[°C]	→	[°F]

Measuring ranges	SI (default)	→	Imperial
Type 724x	-500...+500 Pa	→	-2.0...+2.0 inWC
Type 724x	-7000...+7000 Pa	→	-28...+28 inWC
Type 724xT	-50...+150 °C	→	-58...+302 °F

Dual pressure sensor (2 measuring channels),
measuring transducer for differential pressure and volume flow,
incl. connection set, calibratable, with Modbus connection



ASD-06
Connection set



ASD-07
Connection nipple



DAL-01
Pressure outlet



WS-03
Weather and sun protection hood
(optional)

ACCESSORIES

KA2-Modbus	Communication adapter (USB/RS485) for system connection	1906-1200-0000-100	220,41 €
LA-Modbus	Line termination device (with terminating resistor) as an active bus termination	1906-1300-0000-100	82,20 €
ASD-06	Connection set (included in the scope of delivery), consisting of 2 connection nipples (straight) made of ABS, 2 m PVC hose (soft, UV-resistant) and 4 screws	7100-0060-3000-000	7,87 €
ASD-07	2 connection nipples (at 90 degree angle) made of plastic, ABS	7100-0060-7000-000	7,87 €
DAL-01	Pressure outlet for ceiling or in-wall installation (e.g. in clean rooms)	7300-0060-3000-001	36,84 €
WS-03	Weather and sun protection hood , 200 x 180 x 150 mm, stainless steel V2A (1.4301)	7100-0040-6000-000	46,08 €

For further information, see chapter Accessories!



S+S REGELTECHNIK

Dual pressure sensor (2 measuring channels),
measuring transducer for differential pressure and volume flow,
incl. connection set, calibratable, with Modbus connection

PREMASGARD® 724xT-Modbus
with cable gland
or M12 connector
and connection facility for Pt1000



PREMASGARD® 724x-Modbus
with cable gland
or M12 connector



PREMASGARD® 724x-Modbus		Dual pressure sensor (2 measuring channels), measuring transducer for differential pressure and volume flow, <i>Deluxe</i>				
Measuring Range	Type / WG02	Output	Display	Item No.	Price	
Pressure / Volume Flow			● = Q			
(1) max. ± 500 Pa (2) max. ± 500 Pa		Type 7245				
Channel (1) and (2): - 500 ... + 500 Pa 44721 m³/h (k = 2000)	PREMASGARD 7245-Modbus	Modbus		1301-7224-0910-200	262,80 €	
	PREMASGARD 7245-Modbus LCD	Modbus	■	1301-7224-4910-200	313,03 €	
	PREMASGARD 7245T-Modbus	Modbus		1301-7224-0910-2W0	297,85 €	
	PREMASGARD 7245T-Modbus LCD	Modbus	■	1301-7224-4910-2W0	348,07 €	
	PREMASGARD 7245-Modbus Q	Modbus	●	2004-6331-6100-021	342,23 €	
	PREMASGARD 7245-Modbus Q LCD	Modbus	● ■	2004-6332-6100-021	392,45 €	
	PREMASGARD 7245T-Modbus Q	Modbus	●	2005-6331-6100-021	377,27 €	
	PREMASGARD 7245T-Modbus Q LCD	Modbus	● ■	2005-6332-6100-021	427,49 €	
(1) max. ± 7000 Pa (2) max. ± 7000 Pa		Type 7247				
Channel (1) and (2): - 7000 ... + 7000 Pa 167332 m³/h (k = 2000)	PREMASGARD 7247-Modbus	Modbus		1301-7224-0950-200	262,80 €	
	PREMASGARD 7247-Modbus LCD	Modbus	■	1301-7224-4950-200	313,03 €	
	PREMASGARD 7247T-Modbus	Modbus		1301-7224-0950-2W0	297,85 €	
	PREMASGARD 7247T-Modbus LCD	Modbus	■	1301-7224-4950-2W0	348,07 €	
	PREMASGARD 7247-Modbus Q	Modbus	●	2004-6331-6100-011	342,23 €	
	PREMASGARD 7247-Modbus Q LCD	Modbus	● ■	2004-6332-6100-011	392,45 €	
	PREMASGARD 7247T-Modbus Q	Modbus	●	2005-6331-6100-011	377,27 €	
	PREMASGARD 7247T-Modbus Q LCD	Modbus	● ■	2005-6332-6100-011	427,49 €	
(1) max. ± 500 Pa (2) max. ± 7000 Pa		Type 7249				
Channel (1): - 500 ... + 500 Pa 44721 m³/h Channel (2): - 7000 ... + 7000 Pa 167332 m³/h (k = 2000)	PREMASGARD 7249-Modbus	Modbus		1301-7224-0930-200	262,80 €	
	PREMASGARD 7249-Modbus LCD	Modbus	■	1301-7224-4930-200	313,03 €	
	PREMASGARD 7249T-Modbus	Modbus		1301-7224-0930-2W0	297,85 €	
	PREMASGARD 7249T-Modbus LCD	Modbus	■	1301-7224-4930-2W0	348,07 €	
	PREMASGARD 7249-Modbus Q	Modbus	●	2004-6331-6100-001	342,23 €	
	PREMASGARD 7249-Modbus Q LCD	Modbus	● ■	2004-6332-6100-001	392,45 €	
	PREMASGARD 7249T-Modbus Q	Modbus	●	2005-6331-6100-001	377,27 €	
	PREMASGARD 7249T-Modbus Q LCD	Modbus	● ■	2005-6332-6100-001	427,49 €	
Note: System of units SI (default) or Imperial (switchable via Modbus).						
Housing variant "Q": Cable connection with M12 connector (male, 5-pin, A-code)						
Housing variant "T": Connection facility for external Pt1000 sensor (-50...+150°C) (sensor element not included in the scope of delivery)						

Multifunctional duct sensors and measuring transducers for humidity, temperature, pressure, differential pressure and volume flow, incl. mounting flange and connection set, calibratable, with Modbus connection

Maintenance-free microprocessor-controlled **PREMASGARD® 814x-Modbus** (Series) with Modbus connection, in an impact-resistant plastic housing with quick-locking screws, connection nozzles for pressure hose (Ø 6 mm), plastic sinter filter (exchangeable), optionally with/without display, to exactly detect the relative humidity (0...100% RH) and the temperature (-35...+80 °C) in ducts and to measure the differential pressure (max. ± 7000 Pa) in air. International system of units SI (default) can be switched to Imperial (via Modbus). Incl. mounting flange and connection set **ASD-06** (2 m connecting hose, two pressure port nipples, screws).

The pressure sensor is applied to measure positive, negative or differential pressure in clean air and gaseous media. It is used in the clean room, medical and filter technology, ventilation and air conditioning ducts, spray booths, large-scale catering facilities, for filter monitoring and level measurement or for triggering frequency converters.

A long-term stable, **digital humidity and temperature sensor** and a **pressure sensor** with piezoresistive measuring element guarantee exact measurement results. These measurands are used to internally calculate the following parameters that can be retrieved via Modbus: temperature, relative humidity, dew point, absolute humidity, mixture ratio, enthalpy (ignoring atmospheric air pressure), differential pressure, volume flow, air density.

Innovative Modbus sensor with galvanically separated RS485-Modbus-interface, selectable bus termination resistance, DIP switch for setting the bus parameters and bus address in current-free state, internal LEDs for telegram status display, two separate push-in terminals and large three-line display (illuminated; with customised programming in the 7-segment and dot-matrix range). The sensor is factory-calibrated; an environmental precision adjustment by an expert is possible.

PREMASGARD® 814x-Modbus



TECHNICAL DATA

Power supply:	24 V AC (± 20%) and 15...36 V DC
Power consumption:	< 4.8 W / 24 V DC typical; < 6.8 VA / 24 V AC typical
System of units:	SI (default) or Imperial (switchable via Modbus)
Data points:	differential pressure [Pa] [inWC], volume flow [m³/h] [CFM], temperature [°C] [°F], relative humidity [% RH], dew point [°C] [°F], absolute humidity [g/m³] [gr/ft³], mixing ratio [g/kg] [gr/lb], enthalpy [kJ/kg] [Btu/lb], air density [kg/m³] [lb/ft³]

HUMIDITY & TEMPERATURE

Sensors:	digital humidity sensor with integrated temperature sensor , low hysteresis, high long-term stability
Sensor protection:	plastic sinter filter, Ø 16 mm, L = 35 mm, exchangeable (optional metal sinter filter, Ø 16 mm, L = 32 mm)
Measuring range, humidity:	0...100 % RH
Operating range, humidity:	0...95 % RH (without dew formation)
Deviation in humidity:	typically ± 2.0 % (20...80 % RH) at +25 °C, otherwise ± 3.0 %
Measuring range, temperature:	-35...+80 °C
Deviation in temperature:	typically ± 0.2 K at +25 °C

PRESSURE

Type of pressure:	differential pressure
Pressure connection:	with connection nozzles for pressure hose Ø 6 mm (optional on request with quick connect for PVC fabric pressure hose Ø 6 mm)
Measuring range, pressure:	-500... +500 Pa or -7000...+7000 Pa depending on the type of device, see table
Accuracy, pressure:	Typ 8148 (500 Pa): typically ± 13 Pa at +25 °C Typ 8147 (7000 Pa): typically ± 105 Pa at +25 °C compared to the calibrated reference device
Above- /below-pressure:	max. ± 50 kPa
Zero point offset:	± 10 % of final value
Hysteresis:	0.3 % of final value
Linearity:	< ± 1 % of final value
Temp. drift values:	± 0.1 % per °C
Long-term stability:	± 1 % per year
Medium:	clean air and non-aggressive, non-combustible gases
Media contacting parts:	Brass, Ni, thermoset plastic, Si, epoxy, RTV, BSG, UV silicone gel
Media temperature:	-20...+50 °C (temperature-compensated 0...+50 °C)

Continued on next page!

Display screen (SI or Imperial) **Modbus Tyr 2**



Pressure [Pa] [inWC]



Temperature [°C] [°F]



Humidity [% RH]



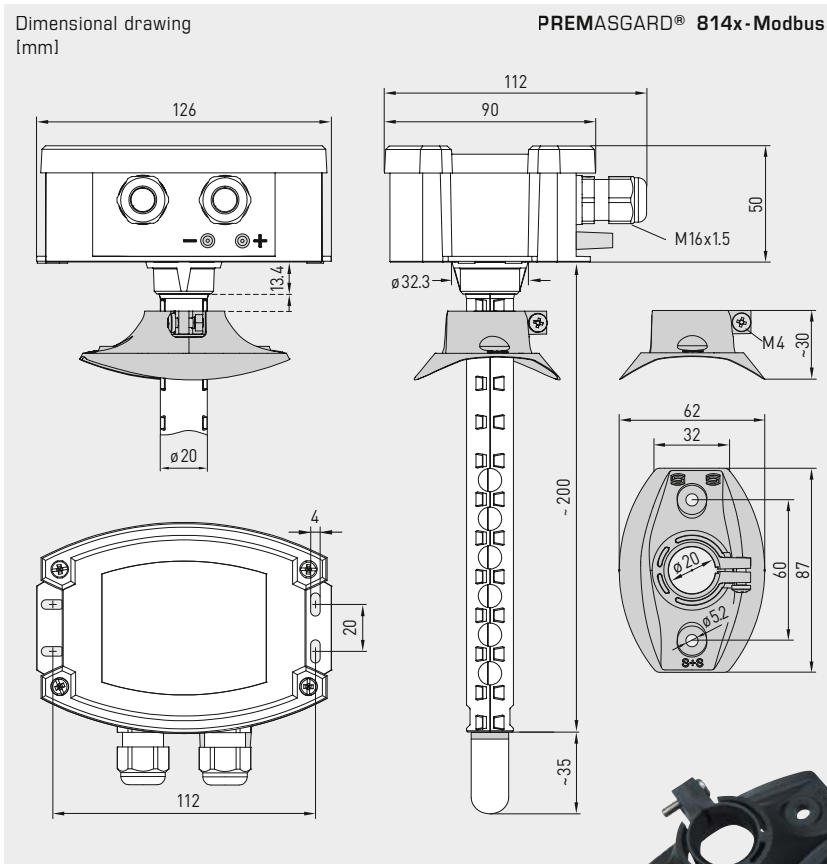
Volume flow rate [m³/h] [CFM]

Programmable display screen **Modbus Tyr 2**





Multifunctional duct sensors and measuring transducers for humidity, temperature, pressure, differential pressure and volume flow, incl. mounting flange and connection set, calibratable, with Modbus connection



MFT-20-K
Mounting flange, plastic

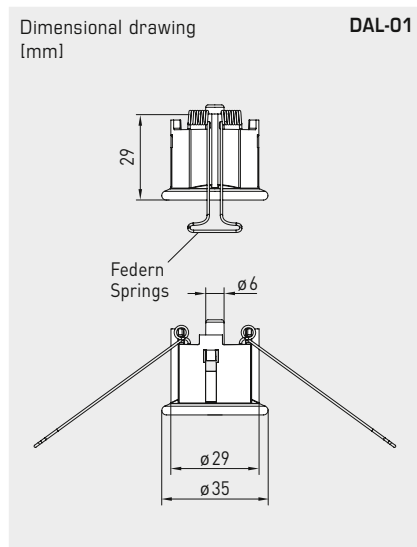
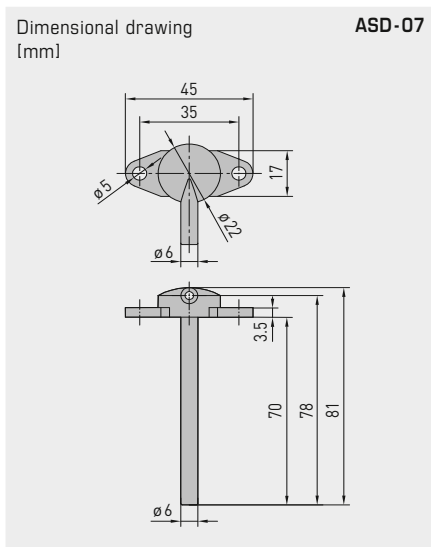
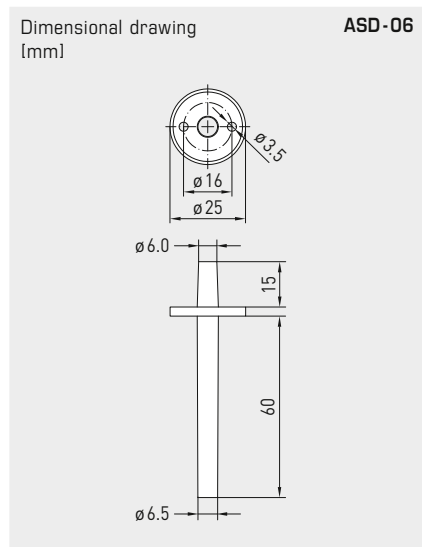


Device version with **M12 connector** (optional on request)



TECHNICAL DATA		(continued)
Bus protocol:	Modbus (RTU mode), address range 0... 247 adjustable	
Baud rate:	9600, 19200, 38400 Baud	
Signal filtering:	4 s / 32 s at temperature / humidity 0 s / 1 s / 10 s at pressure	
Ambient temperature:	-30...+70 °C	
Electrical connection:	0.2 - 1.5 mm ² , via push-in terminal	
Cable connection:	cable gland , plastic (M 16 x 1.5; with strain relief, exchangeable, max. inner diameter 10.4 mm) or M12 connector according to DIN EN 61076-2-101 (optional on request)	
Housing:	plastic, UV-resistant, material polyamide, 30% glass-globe reinforced, with quick-locking screws (slotted / Phillips head combination), colour traffic white (similar to RAL 9016), housing cover for display is transparent!	
Housing dimensions:	126 x 90 x 50 mm (Ty2)	
Protective tube:	PLEUROFORM™ , material: polyamide (PA6), with torsion protection, Ø 20 mm, NL = 235 mm (optional 100 mm), v _{max} = 30 m/s (air) (on request, optional stainless steel V2A (1.4301), Ø 16 mm)	
Process connection:	via mounting flange made of plastic (included in the scope of delivery)	
Protection class:	III (according to EN 60 730)	
Protection type:	IP 65 (according to EN 60 529) housing only! (PLEUROFORM IP 30)	
Standards:	CE-conformity, electromagnetic compatibility according to EN 61 326, EMC Directive 2014 / 30 / EU	
Optional:	three-line display with illumination , programmable, cut-out approx. 70 x 40 mm (W x H), for display actual humidity, actual temperature and ACTUAL pressure (cyclic) or a selectable parameter (static) or an individually programmable display value	
ACCESSORIES	see table	
ASD-06	Connection set (nipple straight) (included in the scope of delivery)	
MFT-20K	Mounting flange plastic (included in the scope of delivery)	

Multifunctional duct sensors and measuring transducers
for humidity, temperature, pressure, differential pressure and volume flow,
incl. mounting flange and connection set,
calibratable, with Modbus connection



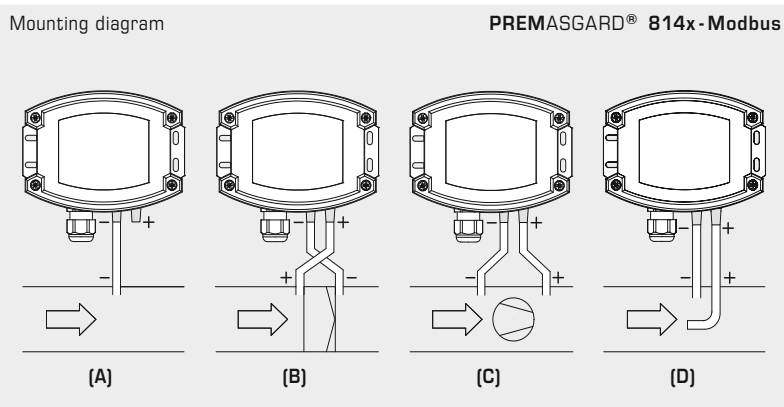
ASD-06
Connection set



ASD-07
Connection nipple



DAL-01
Pressure outlet



TYPES OF MONITORING:

Pressure connections at the pressure switch are marked with P1 (+) for higher pressure and P2 (-) for lower pressure.

(A) Below-atmospheric pressure

P1 (+) is not connected, but open to the atmosphere
P2 (-) connected to inside of duct

(B) Filter

P1 (+) connected upstream of filter
P2 (-) connected downstream of filter

(C) Ventilator

P1 (+) connected downstream of ventilator
P2 (-) connected upstream of ventilator

(D) Volume flow

P1 (+) dynamic pressure, connected in flow direction
P2 (-) static pressure, connected free of dynamic pressure components

Switchable system of units

Measurements / Data points	SI (default)	→	Imperial
Differential pressure	[Pa]	→	[inWC]
Volume flow	[m³/h]	→	[CFM]
Temperature	[°C]	→	[°F]
Humidity	[% RH]	→	[% RH]
Dew point	[°C]	→	[°F]
Absolute humidity	[g/m³]	→	[gr/ft³]
Mixture ratio	[g/kg]	→	[gr/lb]
Enthalpy	[kJ/kg]	→	[Btu/lb]
Air density	[kg/m³]	→	[lb/ft³]

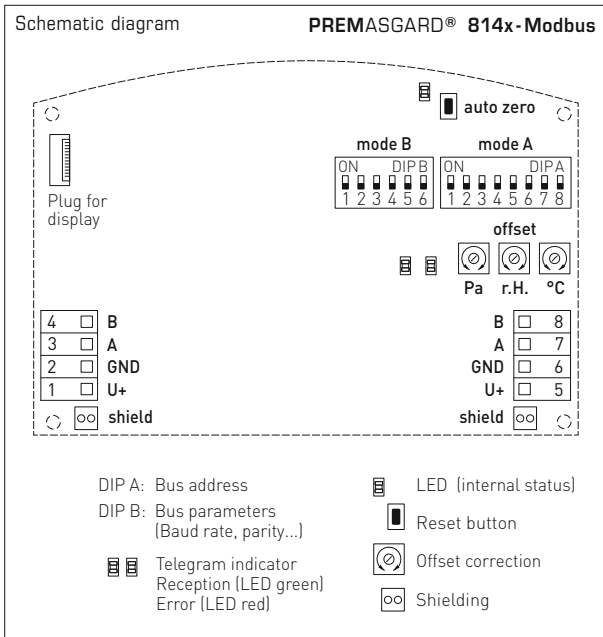
Measuring ranges	SI (default)	→	Imperial
Type 8148	-500...+500 Pa	→	-2.0...+2.0 inWC
Type 8147	-7000...+7000 Pa	→	-28...+28 inWC
Type 814x	-35...+80 °C	→	-31...+176 °F
Type 814x	0...100 % RH	→	0...100 % RH
Alternative parameters are calculated internally.			



S+S REGELTECHNIK

PREMASGARD® 814x-Modbus

Multifunctional duct sensors and measuring transducers for humidity, temperature, pressure, differential pressure and volume flow, incl. mounting flange and connection set, calibratable, with Modbus connection



PREMASGARD® 814x-Modbus with display



SF-K
Plastic sinter filter (standard)



SF-M
Metal sinter filter (optional)
stainless steel protective tube (optional on request)

PREMASGARD® 814x-Modbus		Multifunctional duct sensor for humidity, temperature, pressure, differential pressure and volume flow rate, <i>Deluxe</i>					Price
Type/WG02	Measuring ranges	Humidity	Temperature	Output Display	Item no.		
Type 8148		± 500 Pa					
PREMASGARD 8148-Modbus	-500...+500 Pa	0...100% RH	-35...+80°C	Modbus	1301-8144-0910-20V	531,80 €	
PREMASGARD 8148-Modbus LCD	-500...+500 Pa	0...100% RH	-35...+80°C	Modbus	■ 1301-8144-4910-20V	580,77 €	
Equipped as standard with automatic zero point calibration							
Type 8147		± 7000 Pa					
PREMASGARD 8147-Modbus	-7000...+7000 Pa	0...100% RH	-35...+80°C	Modbus	1301-8144-0950-200	470,15 €	
PREMASGARD 8147-Modbus LCD	-7000...+7000 Pa	0...100% RH	-35...+80°C	Modbus	■ 1301-8144-4950-200	519,73 €	
Extra charge:	with optional automatic zero point calibration (please specify in your order)					74,74 €	
Optional:	Cable connection with M12 connector according to DIN EN 61076-2-101 shortened protective tube PLEUROFORM™ , NL = 100 mm				on request on request		
Note:	System of units SI (default) or imperial (can be changed via Modbus).						
ACCESSORIES							
KA2-Modbus	Communication adapter (USB/RS485) for system connection				1906-1200-0000-100	220,41 €	
LA-Modbus	Line termination device (with terminating resistor) as an active bus termination				1906-1300-0000-100	82,20 €	
ASD-06	Connection set (included in the scope of delivery), consisting of 2 connection nipples (straight) made of ABS, 2 m PVC hose (soft, UV-resistant) and 4 screws				7100-0060-3000-000	7,87 €	
ASD-07	2 connection nipples (at 90° angle) made of ABS				7100-0060-7000-000	7,87 €	
DAL-01	Pressure outlet for ceiling or in-wall installation (e.g. in clean rooms)				7300-0060-3000-001	36,84 €	
SF-M	Metal sinter filter , Ø 16 mm, L = 32 mm, exchangeable, stainless steel V4A (1.4404)				7000-0050-2200-100	43,60 €	
MFT-20-K	Mounting flange , plastic (included in the scope of delivery)				7000-0031-0000-000	9,85 €	
For further information see last chapter!							

**Multifunctional room sensor and measuring transducer
 for humidity, temperature, air quality (VOC), fine dust (PM) and CO2 content,
 calibratable, with Modbus connection**

Multifunctional indoor climate sensor **AERASGARD® RFTM - LQ - PS - CO2 - Modbus** (maximum expansion level) with Modbus connection, in an elegant plastic housing with snap-on lid, base with 4-hole attachment, optionally with / without display, type variant **RFTM - CO2 - Modbus** optionally with / without setpoint potentiometer. The room sensor is used for detecting the air humidity (0...100% RH), room temperature (0...+50 °C), air quality (VOC) (0...100%), the fine dust (PM) (0...1000 µg/m³) and CO2 content (0...5000 ppm) as well as a room control unit (% setpoint). International system of units **SI** (default) can be changed to **imperial** (via Modbus). The following parameters can be accessed via the Modbus: Temperature, relative humidity, air quality (VOC), fine dust (PM) and carbon dioxide (CO2). Use just one device to monitor and control the entire indoor climate effectively. This enables energy-saving room ventilation on an as-needed basis, thereby reducing operating costs and improving well-being. It is used in offices, hotels, convention centres, apartments, shops, etc. One sensor for every 30 m² of room area is recommended.

A long-term stable, **digital humidity and temperature sensor** guarantees exact measurement results. The air quality is determined based on a (VOC) **mixed gas sensor**. The CO2 content of the air is measured using an optical **NDIR sensor** (non-dispersive infra-red technology). An optical **fine dust sensor** precisely detects **particulate (PM)** of the size category 0.3 to 10 micrometres.

Innovative Modbus sensor with galvanically separated RS485-Modbus-interface, selectable bus termination resistance, DIP switch for setting the bus parameters and bus address in current-free state, internal LEDs for telegram status display, two separate push-in terminals and two-line display (illuminated; with customised programming in the 7-segment and dot-matrix range). The sensor is factory-calibrated; an environmental precision adjustment by an expert is possible.

RFTM - CO2 - Modbus - P
 with display and potentiometer



TECHNICAL DATA

Power supply:	24 V AC / DC (± 10%)
Power consumption:	typically < 4.4 W / 24 V DC; < 6.4 VA / 24 V AC; peak current 200 mA
System of units:	SI (default) or imperial (can be changed via Modbus)
Data points:	temperature [°C] [°F], relative humidity [% RH], fine dust (PM) [µg/m³], air quality (VOC) [%], carbon dioxide (CO2) [ppm], setpoint potentiometer [%]

HUMIDITY & TEMPERATURE

Sensor:	digital humidity sensor with integrated temperature sensor , low hysteresis, high long-term stability
Measuring range:	0...100% RH (humidity) 0...+50 °C (temperature)
Deviation, humidity:	typically ±2,0% (20...80% RH) at +25 °C, otherwise ±3,0%
Deviation, temperature:	typically ± 0,2 K at +25 °C

AIR QUALITY (VOC)

Sensor (VOC):	VOC sensor (metal oxide) with automatic calibration (VOC = volatile organic compounds)
Measuring range (VOC):	0...100% air quality; with reference to calibration gas; multi-range switching VOC sensitivity low, medium, high
Measuring accuracy (VOC):	typically ±20% final value (with reference to the calibration gas)
Service life (VOC):	>60 months (under normal load conditions)

FINE DUST (PM)

Sensor (PM):	optical particulate sensor (PM = particulate matter), fine-dust sensor with laser- and soiling-resistant technology
Measuring range (PM):	0...1000 µg/m³
Particle size (PM):	PM 2.5 (0.3...2.5 µm); PM 10 (0.3...10 µm)
Measuring accuracy (PM):	typically ± 10 µg/m³ (± 10% of measured value) at PM 2.5 typically ± 25 µg/m³ (± 25% of measured value) at PM 10
Long-term stability (PM):	± 1.25 µg/m³ (± 1.25% of measured value/year)
Service life (PM):	> 10 years

CARBON DIOXIDE (CO2)

Sensor (CO2):	optical NDIR sensor (non-dispersive infra-red technology) with manual calibration (via zero button), with automatic calibration (can be deactivated via Modbus)
Measuring range (CO2):	0...5000 ppm
Measuring accuracy (CO2):	typically ± 30 ppm (± 3% of measured value)
Temperature dependence (CO2):	± 5 ppm per °C or ± 0.5% of measured value per °C (whichever is greater)
Pressure dependence (CO2):	± 0.13% per mm Hg
Long-term stability (CO2):	< 2% in 15 years
Gas exchange (CO2):	Diffusion

Continued on next page!

Display screen **standard** Modbus (Balduz)



Carbon dioxide (CO2) (ppm)



Air quality (VOC) [%]



Temperature [°C] [°F]



Humidity [% RH]



Fine dust (PM) [µg/m³]

Display screen **programmable** Modbus (Balduz)



Symbols



S+S REGELTECHNIK

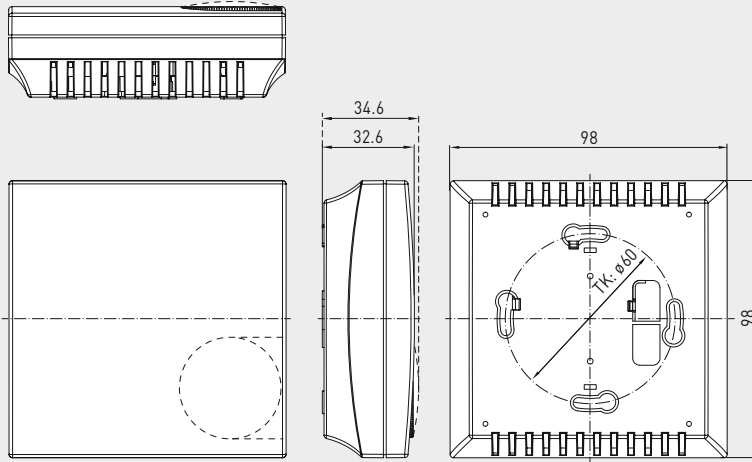
AERASGARD® RC02 / RLQ - CO2 - Modbus AERASGARD® RFTM - LQ - PS - CO2 - Modbus

Multifunctional room sensor and measuring transducer
for humidity, temperature, air quality (VOC), fine dust (PM) and CO2 content,
calibratable, with Modbus connection



Dimensional drawing
(mm)

Housing Baldur 2



R x x CO2 - Modbus
without display



RFTM - LQ - PS - CO2 - Modbus
with display

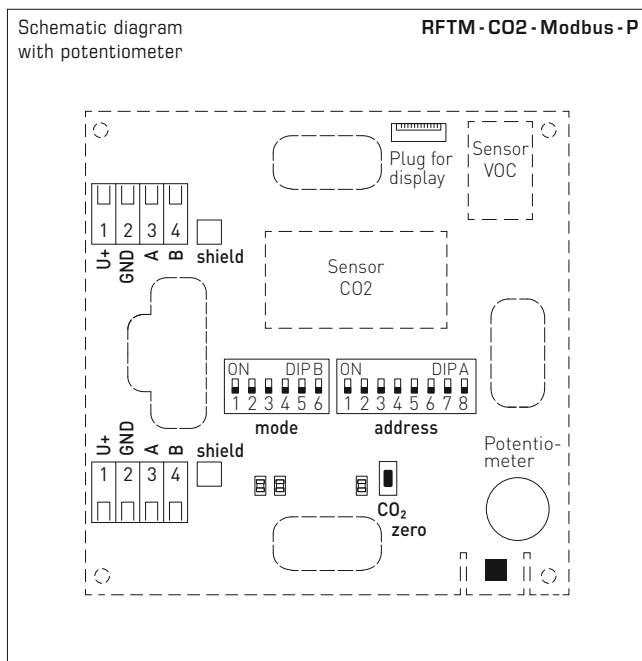
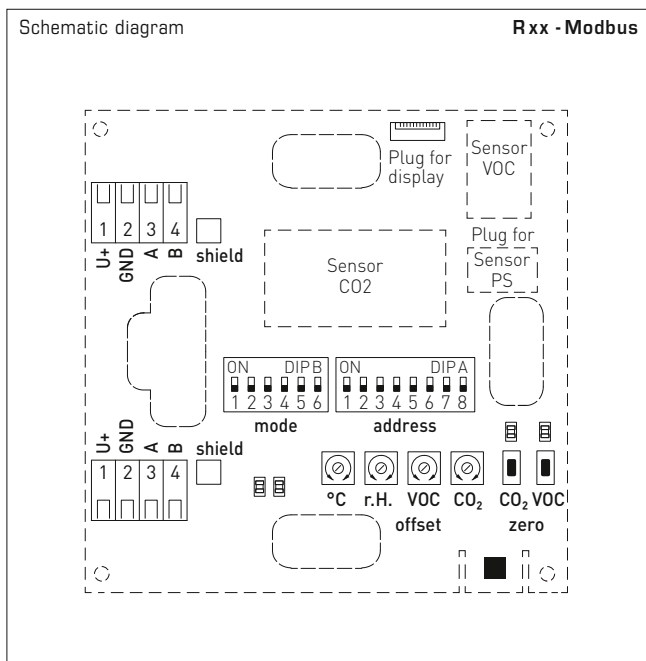


TECHNICAL DATA

(continued)

Bus protocol:	Modbus (RTU mode), address range 0... 247 selectable
Baud rate:	9600, 19200, 38400 Baud
Signal filtering:	4 s / 32 s
Warm up time:	approx. 1 hour
Response time:	< 2 minutes
Ambient temperature:	0...+50 °C
Permissible air humidity:	0...95% RH (non-precipitating air)
Electrical connection:	0.2 - 1.5 mm ² , via push-in terminal
Housing:	plastic, material ABS, colour pure white (similar to RAL 9010)
Dimensions:	98 x 98 x 33 mm (Baldur 2)
Mounting:	wall mounting or on in-wall flush box, Ø55 mm, base with 4 holes, for attachment to vertically or horizontally installed in-wall flush boxes for rear cable entry, with predetermined breaking point for top/bottom cable entry for surface-mounted installation
Protection class:	III (according to EN 60 730)
Protection type:	IP 30 (according to EN 60 529)
Standards:	CE conformity, electromagnetic compatibility according to EN 61 326, EMC Directive 2014 / 30 / EU, Low Voltage Directive 2014 / 35 / EU
Optional:	Display with illumination , 2-line, cutout approx. 36 x 15 mm (W x H), to display actual humidity, actual temperature, air quality, of the fine-dust and CO2 content (cyclic) or a selectable parameter (static) or an individually programmable display value

Multifunctional room sensor and measuring transducer
 for humidity, temperature, air quality (VOC), fine dust (PM) and CO2 content,
 calibratable, with Modbus connection



Display screen **standard (cyclic)**



Carbon dioxide (CO2)



Air quality (VOC)



Temperature [°C]



Temperature [°F]



Humidity



Fine dust (PM)

Display screen **alternative (static)**



Carbon dioxide (CO2)



Air quality (VOC)



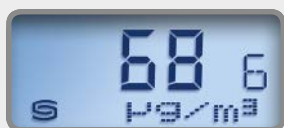
Temperature [°C]



Temperature [°F]



Humidity



Fine dust (PM)

Display screen **programmable**

Modbus
(Baldur)



Symbols

The Modbus interface allows the display to be **individually** configured both in the 7-segment range and in the dot-matrix range. For improved legibility, backlighting is provided.



By default, the display indicates the measurements with the corresponding units **cyclically** and consecutively:

CO2 content, **air quality** (VOC), **temperature**, **relative humidity**, **fine dust** (PM).

The **Modbus** configuration can be used to program an **alternative output variable** instead of the standard display. In this case, the first line indicates the value and index while the second line indicates the corresponding unit **statically**. The index identifies the display type:

- Index 1** = carbon dioxide (CO2) [ppm]
- Index 2** = air quality (VOC) [%]
- Index 3** = temperature [°C] [°F]
- Index 4** = relative humidity [%RH]
- Index 6** = fine dust (PM) [µg/m³]



S+S REGELTECHNIK

AERASGARD® RCO2 / RLQ - CO2 - Modbus AERASGARD® RFTM - LQ - PS - CO2 - Modbus

Multifunctional room sensor and measuring transducer
for humidity, temperature, air quality (VOC), fine dust (PM) and CO2 content,
calibratable, with Modbus connection

RFTM - CO2 - Modbus - P
with setpoint potentiometer
(room control unit)



RFTM - LQ - PS - CO2 - Modbus
with display



R xx CO2 - Modbus
without display



AERASGARD® Rxx - Modbus		Room sensor and measuring transducer for humidity, temperature, air quality (VOC), fine dust (PM) and CO2 content, <i>Deluxe</i>						
Type / WG02	Measuring Range		PM	CO2	VOC	Display ☼=P	Item No.	Price
	Humidity	Temperature*						
RCO2 - Modbus								
RCO2-Modbus	–	–	–	5000 ppm	–		1501-61B0-6001-200	280,79 €
RCO2-Modbus LCD	–	–	–	5000 ppm	–	■	1501-61B0-6021-200	332,13 €
RLQ - CO2 - Modbus								
RLQ-CO2-Modbus	–	–	–	5000 ppm	0...100%		1501-61B1-6001-500	411,59 €
RLQ-CO2-Modbus LCD	–	–	–	5000 ppm	0...100%	■	1501-61B1-6021-500	462,91 €
RFTM - PS - Modbus								
RFTM-PS-Modbus	0...100% RH	0...+50 °C	0...1000 µg/m³	–	–		1501-2116-6001-200	382,69 €
RFTM-PS-Modbus LCD	0...100% RH	0...+50 °C	0...1000 µg/m³	–	–	■	1501-2116-6021-200	439,73 €
RFTM - CO2 - Modbus								
RFTM-CO2-Modbus	0...100% RH	0...+50 °C	–	5000 ppm	–		1501-61B6-6001-200	331,32 €
RFTM-CO2-Modbus LCD	0...100% RH	0...+50 °C	–	5000 ppm	–	■	1501-61B6-6021-200	382,40 €
RFTM - CO2 - Modbus - P								
RFTM-CO2-Modbus- P	0...100% RH	0...+50 °C	–	5000 ppm	–	☼	1501-61B6-6501-271	366,65 €
RFTM-CO2-Modbus- P LCD	0...100% RH	0...+50 °C	–	5000 ppm	–	☼ ■	1501-61B6-6521-271	417,97 €
RFTM - LQ - CO2 - Modbus								
RFTM-LQ-CO2-Modbus	0...100% RH	0...+50 °C	–	5000 ppm	0...100%		1501-61B8-6001-500	448,97 €
RFTM-LQ-CO2-Modbus LCD	0...100% RH	0...+50 °C	–	5000 ppm	0...100%	■	1501-61B8-6021-500	500,29 €
RFTM - LQ - PS - CO2 - Modbus								
RFTM-LQ-PS-CO2-Modbus	0...100% RH	0...+50 °C	0...1000 µg/m³	5000 ppm	0...100%		1501-2119-6001-500	580,02 €
RFTM-LQ-PS-CO2-Modbus LCD	0...100% RH	0...+50 °C	0...1000 µg/m³	5000 ppm	0...100%	■	1501-2119-6021-500	631,34 €
Housing variant "P":	Room control unit with potentiometer (standard printing is a widening arrow with central position unfilled)							
Note:	These units must not be used as safety-relevant devices!							
	* International system of units SI (default) can be changed to imperial (via Modbus).							

ACCESSORIES		
KA2-Modbus	Communication adapter (USB/RS485) for system connection	1906-1200-0000-100 220,41 €
LA-Modbus	Line termination device (with terminating resistor) as an active bus termination	1906-1300-0000-100 82,20 €

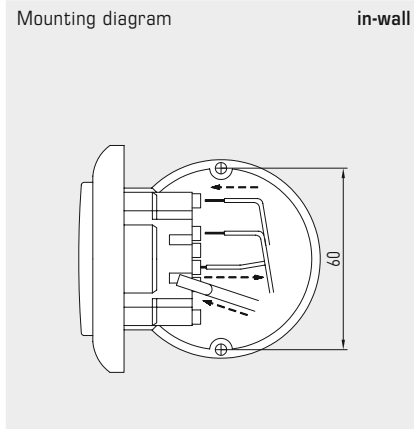
Room humidity, temperature and CO2 sensor or measuring transducer, in-wall in the panel switch programme, with Modbus connection

The room sensor and measuring transducer **AERASGARD® FSFTM - CO2 - Modbus** in the in-wall housing, optionally with potentiometer, is used to measure the CO2 content, relative humidity and temperature of the air, and for setpoint adjustment. The measured values are queried via the Modbus interface.

The CO2 content of the air is measured using an optical NDIR sensor (non-dispersive infra-red technology). A digital, long-term stable sensor is used for humidity and temperature measurement. Relative humidity [% RH] is the quotient of water vapour partial pressure divided by the saturation vapour pressure at the respective gas temperature.

The in-wall sensor is mounted in high-quality panel switch programmes, ideally of the brands Gira, Berker, Merten, Jung, Siemens or Busch-Jaeger (using in-wall adapters, no setpoint adjustment possible) either individually or in combination with light switches, socket outlets, etc.

It is used in non-aggressive, dust-free environments, in refrigeration, air conditioning and clean room technology, and in interior rooms, such as living rooms, offices, hotels, etc.



TECHNICAL DATA

Power supply:	24 V AC / DC (± 10%)
Power consumption:	< 4.4 W / 24 V DC; < 6.4 VA / 24 V AC
Data points:	relative humidity [% RH], temperature [°C], CO2 content of the air [ppm] as well as setpoint potentiometer (no setpoint adjustment possible with Busch-Jaeger)
Bus protocol:	Modbus (RTU mode), address range 0...247 selectable
Signal filtering:	4 s / 32 s

CARBON DIOXIDE (CO2)

Sensor, CO2:	optical NDIR sensor (non-dispersive infra-red technology), with manual calibration (via zero button) and automatic calibration
Long-term stability:	< 2% in 15 years
Measuring range, CO2:	0...5000 ppm
Measuring accuracy, CO2:	typically ± 30 ppm ± 3% of measured value
Temperature dependence, CO2:	± 5 ppm / °C or ± 0.5% of measured value / °C (whichever is higher)
Pressure dependence:	± 0.13% / mm Hg
Gas exchange:	by diffusion
Warm up time:	approx. 1 hour
Response time:	< 2 minutes

HUMIDITY

Sensor:	digital humidity sensor with integrated temperature sensor , low hysteresis, high long-term stability
Long-term stability:	± 1% per year
Measuring range, humidity:	0...100% RH
Operating range, humidity:	0...95% RH (non-precipitating air)
Deviation, humidity:	typically ± 3.0% (20...80% RH) at +25 °C, otherwise ± 5.0%

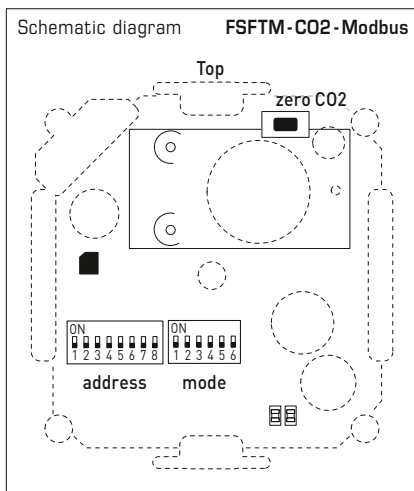
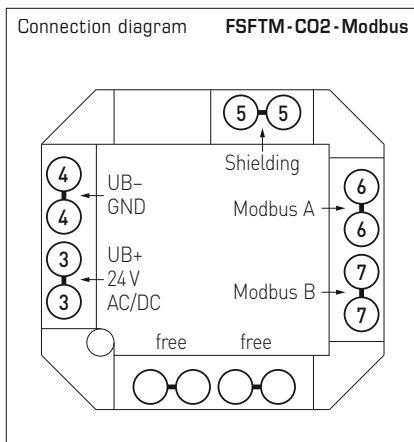
TEMPERATURE

Measuring range:	0...+50 °C
Deviation, temperature:	typically ± 0.8K at +25 °C

Mounting:	in-wall flush box Ø 55 mm
Electrical connection:	1.0 - 2.5 mm ² , via plug terminals
Ambient temperature:	Storage -35...+85 °C; Operation 0...+50 °C
Permitted humidity:	max. 90% RH, non-precipitating air
Medium:	clean air and other non-aggressive, non-combustible gases
Protection class:	III (according to EN 60 730)
Protection type:	IP 20 (according to 60 529)
Standards:	CE-conformity, electromagnetic compatibility according to EN 61 326, EMC Directive 2014 / 30 / EU

SWITCH PROGRAMME

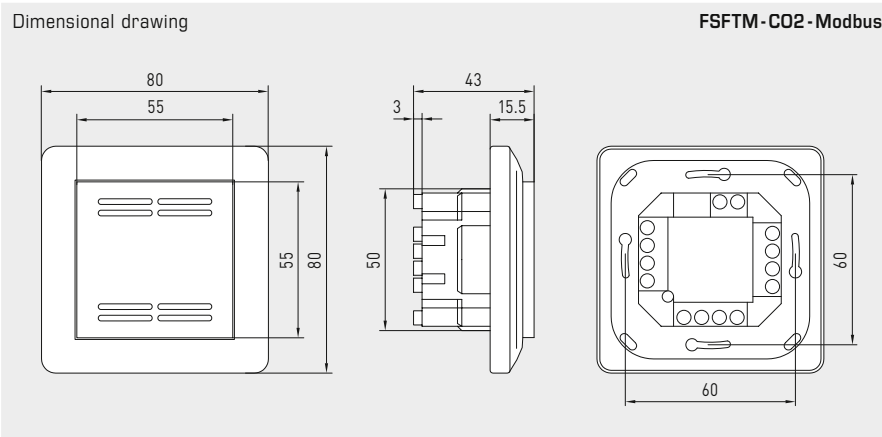
Manufacturer:	GIRA System 55 (other switch programmes, manufacturers, colours as well as prices available upon request)
Housing:	plastic, the standard colour is pure glossy white (similar to RAL 9010) (other colours are available upon request with colour variants depending on the respective light switch programme)



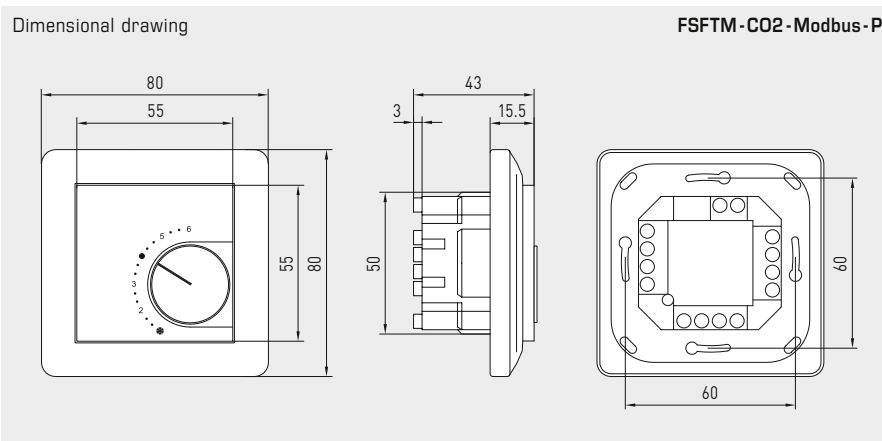


S+S REGELTECHNIK

Room humidity, temperature and CO2 sensor or measuring transducer, in-wall in the panel switch programme, with Modbus connection



FSFTM - CO2 - Modbus Standard



FSFTM - CO2 - Modbus - P with potentiometer



AERASGARD® FSFTM - CO2 - Modbus Room temperature humidity and CO2 sensor, in-wall

Type / WG02	Measuring Range			Control element	Output	Item No.	Price
	CO2	Humidity	Temperature				
FSFTM - CO2 - Modbus							
FSFTM-CO2-Modbus	0...5000 ppm	0...100% RH	0...+50 °C	–	Modbus	1501-9226-6001-162	385,89 €
FSFTM-CO2-Modbus P	0...5000 ppm	0...100% RH	0...+50 °C	Potentiometer	Modbus	1501-9226-6501-282	476,26 €

Data points: relative humidity [% RH], temperature [°C], CO2 content of the air (ppm) and setpoint potentiometer

ACCESSORIES

KA2-Modbus	Communication adapter (with USB and RS485 interface) for system connection (incl. quick-start software)	1906-1200-0000-100	220,41 €
LA-Modbus	Line termination device (with terminating resistor) as an active bus termination of RS485 networks	1906-1300-0000-100	82,20 €

Multifunctional on-wall sensors and measuring transducers, for humidity, temperature, CO2 content and air quality (VOC), calibratable, with Modbus connection

The maintenance-free on-wall sensor **AERASGARD® AFTM-LQ-CO2-Modbus** (max. expansion level) and **AC02 / ALQ-CO2 / AFTM-CO2-Modbus** with Modbus connection, automatic calibration, in an impact-resistant plastic housing with quick-locking screws, plastic sinter filter (replaceable), optionally with/without display, for determining the CO2-content of the air (0...5000 ppm), of the air quality (0...100% VOC), the temperature (-35...+80 °C) and the relative air humidity (0...100% RH). International system of units **SI** (default) can be changed to **imperial** (via Modbus). The following parameters can be accessed via the Modbus: Temperature, relative humidity, air quality (VOC), carbon dioxide (CO2) and atmospheric pressure. The sensor is used in offices, hotels, convention centres, apartments, shops, etc. for the purpose of evaluating the indoor climate. This enables energy-saving room ventilation on an as-needed basis, thereby reducing operating costs and improving well-being. One sensor for every 30 m² of space is recommended.

A long-term stable, **digital humidity and temperature sensor** guarantees exact measurement results. The CO2 measurement is performed using an optical **NDIR sensor** (non-dispersive infra-red technology). The detection range is calibrated for standard applications such as monitoring residential rooms and conference rooms. The air quality is detected by a **VOC sensor** (mixed gas sensor for volatile organic substances). This sensor determines the loading of the room air due to contaminated gases such as cigarette smoke, body perspiration, exhaled breathing air, solvent vapours, emissions etc. With regard to the expected air contamination, low, medium or high VOC sensitivity can be selected.

Innovative Modbus sensor with galvanically separated RS485-Modbus-interface, selectable bus termination resistance, DIP switch for setting the bus parameters and bus address in current-free state, internal LEDs for telegram status display, two separate push-in terminals and large three-line display (illuminated; with customised programming in the 7-segment and dot-matrix range). The sensor is factory-calibrated; an environmental precision adjustment by an expert is possible.

TECHNICAL DATA

Voltage supply:	24 V AC / DC (± 10 %)
Power consumption:	< 4.8 W / 24 V DC typically; < 6.8 VA / 24 V AC typically; peak current 200 mA
System of units:	SI (default) or Imperial (switchable via Modbus)
Data points:	temperature [°C] [°F], relative humidity [%RH], atmospheric pressure [hPa], air quality (VOC) [%], carbon dioxide (CO2) [ppm]

HUMIDITY

Sensors:	digital humidity sensor with integrated temperature sensor , low hysteresis, high long-term stability
Sensor protection:	plastic sinter filter , Ø 16 mm, L = 35 mm, exchangeable (optional metal sinter filter , Ø 16 mm, L = 32 mm)
Measuring range, humidity:	0...100% RH
Operating range, humidity:	0...95% RH (without dew formation)
Deviation in humidity:	typically ±2.0% (20...80% RH) at +25 °C, otherwise ± 3.0%

TEMPERATURE

Measuring range, temperature:	-35...+80 °C
Operating range, temperature:	-10...+60 °C
Deviation in temperature:	typically ± 0.4 K at +25 °C

AIR QUALITY (VOC)

Sensor (VOC):	VOC sensor (metal oxide) with automatic calibration (VOC = volatile organic compounds)
Measuring range (VOC):	0...100% air quality; referred to calibrating gas; multi-range switching VOC sensitivities (low/medium/high)
Measuring accuracy (VOC):	typically ± 20% of final value (referred to calibrating gas)
Service life (VOC):	> 60 months (under normal load conditions)

CARBON DIOXIDE (CO2)

Sensor (CO2):	optical NDIR sensor (non-dispersive infra-red technology) including atmospheric pressure compensation (up to 1100 mbar) with manual calibration (via zero button), with automatic calibration (can be deactivated via Modbus)
Measuring range (CO2):	0...5000 ppm
Measuring accuracy (CO2):	typically ± 30 ppm (± 3% of measured value)
Temperature dependence (CO2):	± 5 ppm per °C or ± 0,5% of measured value per °C (whichever is higher)
Pressure dependence (CO2):	± 0.13% per mm Hg
Long-term stability (CO2):	< 2% in 15 years
Gas exchange (CO2):	by diffusion

Continued on next page!

Display screen (cyclic) **Modbus Tyr 2**



Temperature [°C]



Temperature [°F]



Humidity



Air quality (VOC)



Carbon dioxide (CO2)

Display screen (static)



Atmospheric pressure (Example Index 5)

Programmable display screen

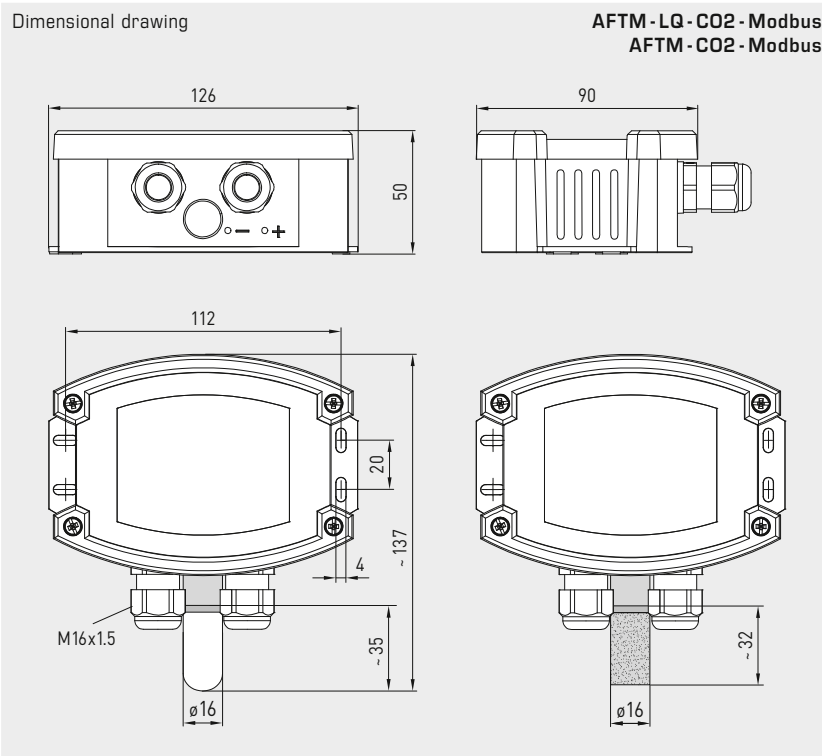




S+S REGELTECHNIK

AERASGARD® AC02 / ALQ-CO2 - Modbus AERASGARD® AFTM-(LQ)-CO2 - Modbus

Multifunctional on-wall sensors and measuring transducers,
for humidity, temperature, CO2 content and air quality (VOC),
calibratable, with Modbus connection



AFTM-LQ-CO2-Modbus
AFTM-CO2-Modbus
with plastic sinter filter
(standard)



AFTM-LQ-CO2-Modbus
AFTM-CO2-Modbus
with display and
plastic sinter filter
(standard)



SF-K
Plastic sinter filter
(standard)



SF-M
Metal sinter filter
(optional)

TECHNICAL DATA

(continued)

Bus protocol:	Modbus (RTU mode), address range 0... 247 selectable
Baud rate:	9600, 19200, 38400 Baud
Signal filtering:	4 s / 32 s
Response time:	< 2 minutes
Ambient temperature:	-10...+60 °C
Electrical connection:	0.2 - 1.5 mm ² , ia push-in terminal
Cable connection:	cable gland , plastic (M 16 x 1.5; with strain relief, exchangeable, inner diameter 10.4 mm) or M12 connector according to DIN EN 61076-2-101 (optional on request)
Housing:	plastic, UV-resistant, material polyamide, 30 % glass-globe reinforced, with quick-locking screws (slotted / Phillips head combination), colour traffic white (similar to RAL 9016), housing cover for display is transparent!
Housing dimensions:	126 x 90 x 50 mm (Tyr 2)
Protective tube:	stainless steel V2A (1.4301), Ø 16 mm, NL = 55 mm
Process connection:	by screws
Protection class:	III (according to EN 60 730)
Protection type:	IP 65 (according to EN 60 529)
Standards:	CE conformity, electromagnetic compatibility according to EN 61 326, EMC Directive 2014 / 30 / EU
Optional:	Display with illumination , three-line, cutout approx. 70 x 40 mm (W x H), for displaying actual humidity, actual temperature, air quality and the actual CO2 content (cyclic) or a selectable parameter (static) or an individually programmable display value

ACCESSORIES see table

AERASGARD® AC02 / ALQ - CO2 - Modbus
AERASGARD® AFTM - (LQ) - CO2 - Modbus

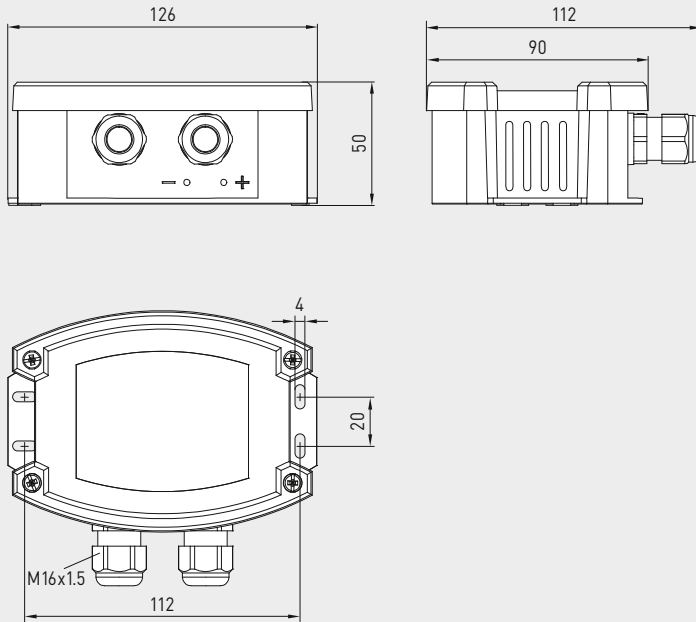


Multifunctional on-wall sensors and measuring transducers,
 for humidity, temperature, CO2 content and air quality (VOC),
 calibratable, with Modbus connection

S+S REGELECHNIK

Dimensional drawing

AC02-Modbus
 ALQ - CO2-Modbus

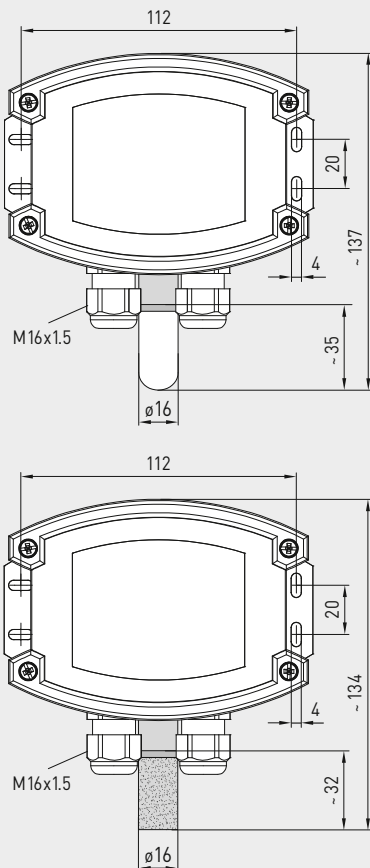


AC02-Modbus
 ALQ - CO2-Modbus



Dimensional drawing

AFTM - LQ - CO2 - Modbus
 AFTM - CO2 - Modbus



SF-K
 plastic sinter filter
 (standard)

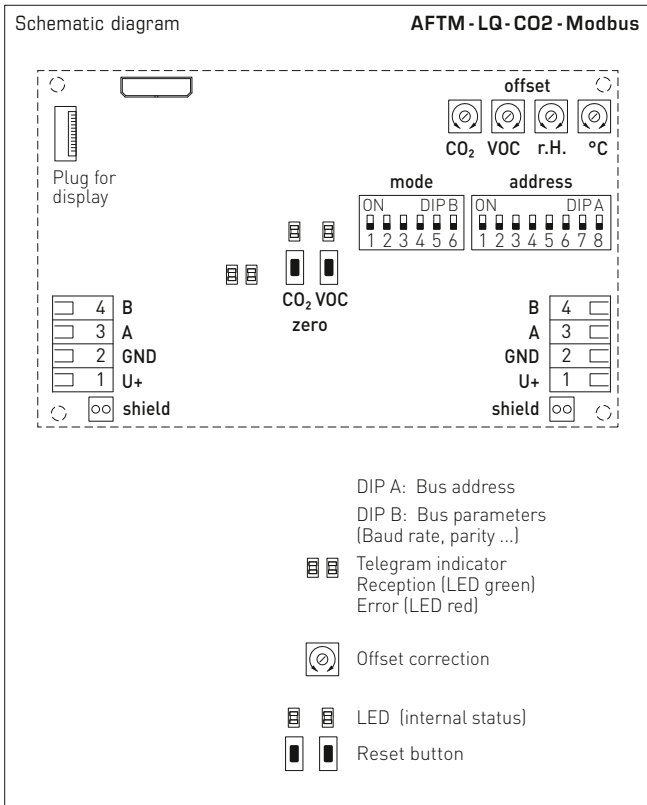


SF-M
 metal sinter filter
 (optional)



AFTM - LQ - CO2 - Modbus
 AFTM - CO2 - Modbus
 with metal sinter filter
 (optional)





AFTM - LQ - CO2 - Modbus with display



AERASGARD® AC02 - Modbus	On-wall sensor for CO2 content, <i>Deluxe</i>
AERASGARD® ALQ - CO2 - Modbus	On-wall sensor for CO2 content and air quality (VOC), <i>Deluxe</i>
AERASGARD® AFTM - CO2 - Modbus	Multifunctional on-wall sensor for humidity, temperature and CO2 content, <i>Deluxe</i>
AERASGARD® AFTM - LQ - CO2 - Modbus	Multifunctional on-wall sensor for humidity, temperature, CO2 content and air quality (VOC), <i>Deluxe</i>

Type / WG02	Measuring Range	Display	Item No.	Price
	Humidity Temperature*	CO2 VOC		
AC02-Modbus				
AC02-Modbus	– –	–	1501-7110-6001-200	386,67 €
AC02-Modbus LCD	– –	■	1501-7110-6071-200	460,63 €
ALQ - CO2 - Modbus				
ALQ-CO2-Modbus	– –	5000 ppm 0..100%	1501-7111-6001-500	521,20 €
ALQ-CO2-Modbus LCD	– –	5000 ppm 0..100%	■ 1501-7111-6071-500	609,62 €
AFTM - CO2 - Modbus				
AFTM-CO2-Modbus	0..100% RH –35...+80 °C	5000 ppm –	1501-7116-6001-200	485,07 €
AFTM-CO2-Modbus LCD	0..100% RH –35...+80 °C	5000 ppm –	■ 1501-7116-6071-200	580,98 €
AFTM - LQ - CO2 - Modbus				
AFTM-LQ-CO2-Modbus	0..100% RH –35...+80 °C	5000 ppm 0..100%	1501-7118-6001-500	619,86 €
AFTM-LQ-CO2-Modbus LCD	0..100% RH –35...+80 °C	5000 ppm 0..100%	■ 1501-7118-6071-500	732,95 €
Optional:	Cable connection with M12 connector according to DIN EN 61076-2-101			on request
Note:	This unit must not be used as safety-relevant device!			
	* International system of units SI (default) can be changed to imperial (via Modbus).			

ACCESSORIES			
KA2-Modbus	Communication adapter (USB/RS485) for system connection	1906-1200-0000-100	220,41 €
LA-Modbus	Line termination device (with terminating resistor) as an active bus termination	1906-1300-0000-100	82,20 €
SF-M	Metal sinter filter, Ø 16 mm, L = 32 mm, exchangeable, stainless steel V4A (1.4404)	7000-0050-2200-100	43,60 €
WS-03	Weather and sun protection hood, 200 x 180 x 150 mm, stainless steel V2A (1.4301)	7100-0040-6000-000	46,08 €

For further information see last chapter!

Multifunctional duct sensors and measuring transducers incl. mounting flange, for humidity, temperature, CO2 content and air quality (VOC), calibratable, with Modbus connection

Patented quality product (patent no. DE 10 2014 010 719.1)

The maintenance-free duct sensor **AERASGARD® KFTM-LQ-CO2-Modbus** (max. expansion level) and **KCO2/ KLQ - CO2 / KFTM - CO2 - Modbus** with Modbus connection, automatic calibration, in an impact-resistant plastic housing with quick-locking screws, plastic sinter filter (replaceable), incl. mounting flange, optionally with/without display, for determining the CO2-content of the air (0...5000 ppm), of the air quality (0...100% VOC), the temperature (-35...+80 °C) and the relative air humidity (0...100% RH). International system of units **SI** (default) can be changed to **imperial** (via Modbus). The following parameters can be accessed via the Modbus: Temperature, relative humidity, air quality (VOC), carbon dioxide (CO2) and atmospheric pressure. The sensor is used in offices, hotels, convention centres, apartments, shops, etc. for the purpose of evaluating the indoor climate. This enables energy-saving room ventilation on an as-needed basis, thereby reducing operating costs and improving well-being. One sensor for every 30m² of space is recommended.

A long-term stable, **digital humidity and temperature sensor** guarantees exact measurement results. The CO2 measurement is performed using an optical **NDIR sensor** (non-dispersive infra-red technology). The detection range is calibrated for standard applications such as monitoring residential rooms and conference rooms. The air quality is detected by a **VOC sensor** (mixed gas sensor for volatile organic substances). This sensor determines the loading of the room air due to contaminated gases such as cigarette smoke, body perspiration, exhaled breathing air, solvent vapours, emissions etc. With regard to the expected air contamination, low, medium or high VOC sensitivity can be selected.

Innovative Modbus sensor with galvanically separated RS485-Modbus-interface, selectable bus termination resistance, DIP switch for setting the bus parameters and bus address in current-free state, internal LEDs for telegram status display, two separate push-in terminals and large three-line display (illuminated; with customised programming in the 7-segment and dot-matrix range). The sensor is factory-calibrated; an environmental precision adjustment by an expert is possible.

TECHNICAL DATA

Voltage supply:	24 V AC / DC (± 10%)
Power consumption:	< 4.8 W / 24 V DC typically; < 6.8 VA / 24 V AC typically; peak current 200 mA
System of units:	SI (default) or Imperial (switchable via Modbus)
Data points:	temperature [°C] [°F], relative humidity [% RH], atmospheric pressure [hPa], air quality (VOC) [%], carbon dioxide (CO2) [ppm]

HUMIDITY

Sensors:	digital humidity sensor with integrated temperature sensor , low hysteresis, high long-term stability
Sensor protection:	plastic sinter filter , Ø 16 mm, L = 35 mm, exchangeable (optional metal sinter filter , Ø 16 mm, L = 32 mm)
Measuring range, humidity:	0...100% RH
Operating range, humidity:	0...95% RH (without dew formation)
Deviation in humidity:	typically ± 2.0% (20...80% RH) at +25 °C, otherwise ± 3.0%

TEMPERATURE

Measuring range, temperature:	-35...+80 °C
Operating range, temperature:	-10...+60 °C
Deviation in temperature:	typically ± 0.2 K at +25 °C

AIR QUALITY (VOC)

Sensor:	VOC sensor (metal oxide) with automatic calibration (VOC = volatile organic compounds)
Measuring range:	0...100% air quality; referred to calibrating gas; multi-range switching VOC sensitivities (low/medium/high)
Measuring accuracy:	typically ± 20% of final value (referred to calibrating gas)
Service life	> 60 months (under normal load conditions)

CARBON DIOXIDE (CO2)

Sensor:	optical NDIR sensor (non-dispersive infra-red technology) including atmospheric pressure compensation (up to 1100 mbar) with manual calibration (via zero button), with automatic calibration (can be deactivated via Modbus)
Measuring range:	0...5000 ppm
Measuring accuracy:	typically ± 30 ppm (± 3% of measured value)
Temperature dependence:	± 5 ppm per °C or ± 0,5% of measured value per °C (whichever is higher)
Pressure dependence:	± 0.13% per mm Hg
Long-term stability:	< 2% in 15 years
Gas exchange:	by diffusion

Display screen (cyclic) **Modbus Tyr 2**



Temperature [°C]



Temperature [°F]



Humidity

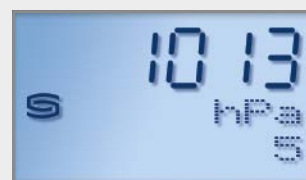


Air quality (VOC)



Carbon dioxide (CO2)

Display screen (static)



Atmospheric pressure (Example Index 5)

Programmable display screen



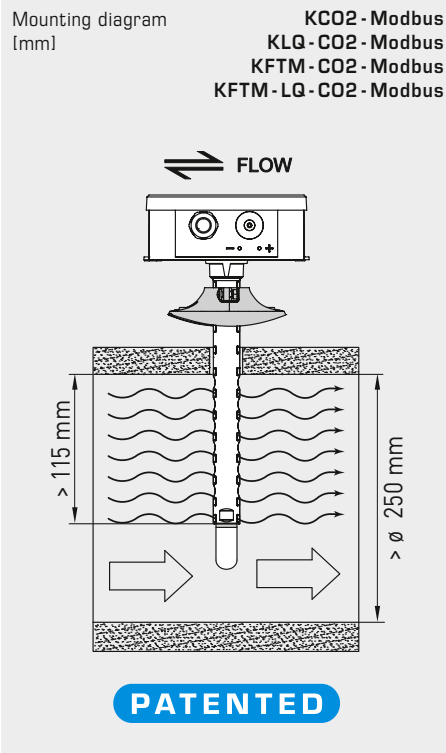
Continued on next page!



S+S REGELTECHNIK

AERASGARD® KC02 / KLQ - CO2 - Modbus AERASGARD® KFTM - (LQ) - CO2 - Modbus

Multifunctional duct sensors and measuring transducers incl. mounting flange, for humidity, temperature, CO2 content and air quality (VOC), calibratable, with Modbus connection



MFT-20-K
Mounting flange, plastic



**KFTM - CO2 - Modbus
KFTM - LQ - CO2 - Modbus**
with plastic sinter filter (standard)



**KFTM - CO2 - Modbus
KFTM - LQ - CO2 - Modbus**
with display and plastic sinter filter (standard)



SF-K
Plastic sinter filter (standard)



SF-M
Metal sinter filter (optional)



TECHNICAL DATA		(continued)
Bus protocol:	Modbus (RTU mode), address range 0... 247 selectable	
Baud rate:	9600, 19200, 38400 Baud	
Signal filtering:	4 s / 32 s	
Response time:	< 2 minutes, minimal flow velocity 0.3 m/s (air)	
Ambient temperature:	-10...+60 °C	
Electrical connection:	0.2 - 1.5 mm ² , ia push-in terminal	
Cable connection:	cable gland , plastic (M 16 x 1.5; with strain relief, exchangeable, inner diameter 10.4 mm) or M12 connector according to DIN EN 61076-2-101 (optional on request)	
Housing:	plastic, UV-resistant, material polyamide, 30% glass-globe reinforced, with quick-locking screws (slotted / Phillips head combination), colour traffic white (similar to RAL 9016), housing cover for display is transparent!	
Housing dimensions:	126 x 90 x 50 mm (Tyr 2)	
Protective tube:	PLEUROFORM™ , material polyamide (PA6), with torsion protection, v _{max} = 30 m/s (air) Ø 20 mm, NL = 202.5 mm without filter, NL = 235 mm with plastic filter (optional 100 mm)	
Process connection:	via mounting flange made of plastic (included in scope of delivery)	
Protection class:	III (according to EN 60 730)	
Protection type:	IP 65 (according to EN 60 529) housing in the built-in state (permeable PLEUROFORM: IP30)	
Standards:	CE conformity, electromagnetic compatibility according to EN 61 326, EMC Directive 2014 / 30 / EU	
Optional:	Display with illumination , three-line, cutout approx. 70 x 40 mm (W x H), for displaying actual humidity, actual temperature, air quality and the actual CO2 content (cyclic) or a selectable parameter (static) or an individually programmable display value	
ACCESSORIES	see table	

AERASGARD® KC02 / KLQ - CO2 - Modbus
AERASGARD® KFTM - (LQ) - CO2 - Modbus



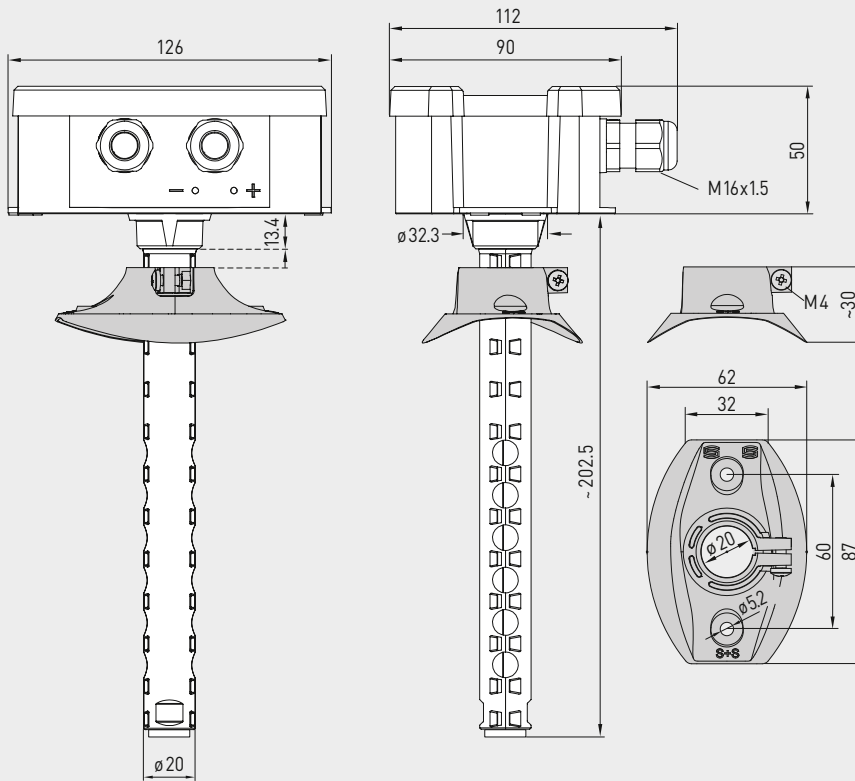
Multifunctional duct sensors and measuring transducers incl. mounting flange,
 for humidity, temperature, CO2 content and air quality (VOC),
 calibratable, with Modbus connection

S+S REGELTECHNIK

Dimensional drawing [mm]

KC02-Modbus
 KLQ - CO2-Modbus

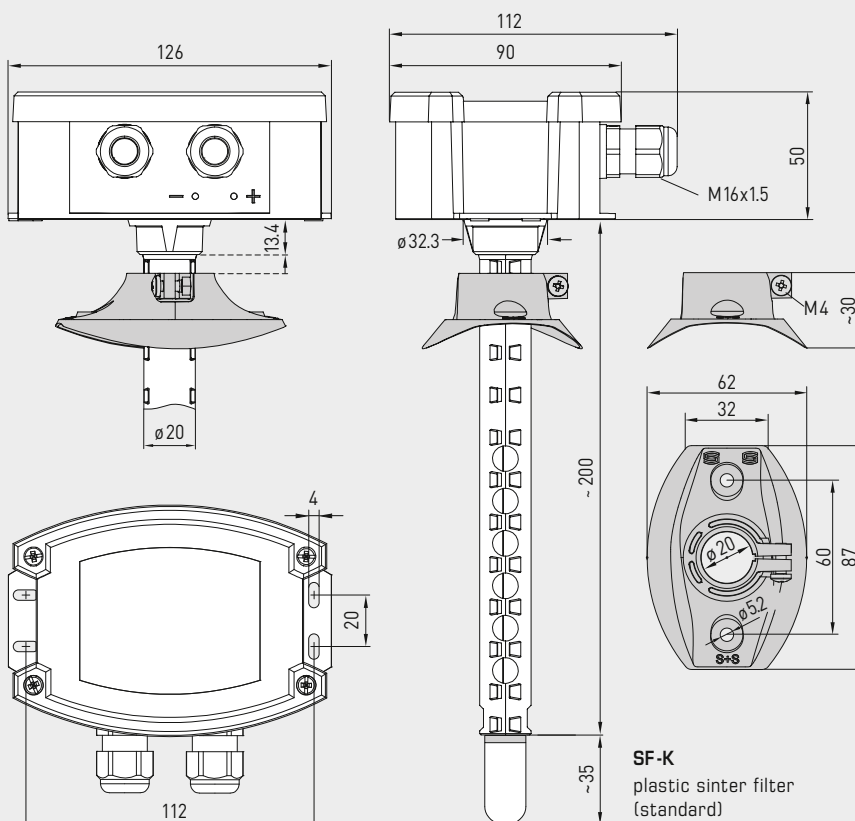
KC02-Modbus
 KLQ - CO2-Modbus



Dimensional drawing [mm]

KFTM - CO2 - Modbus
 KFTM - LQ - CO2 - Modbus

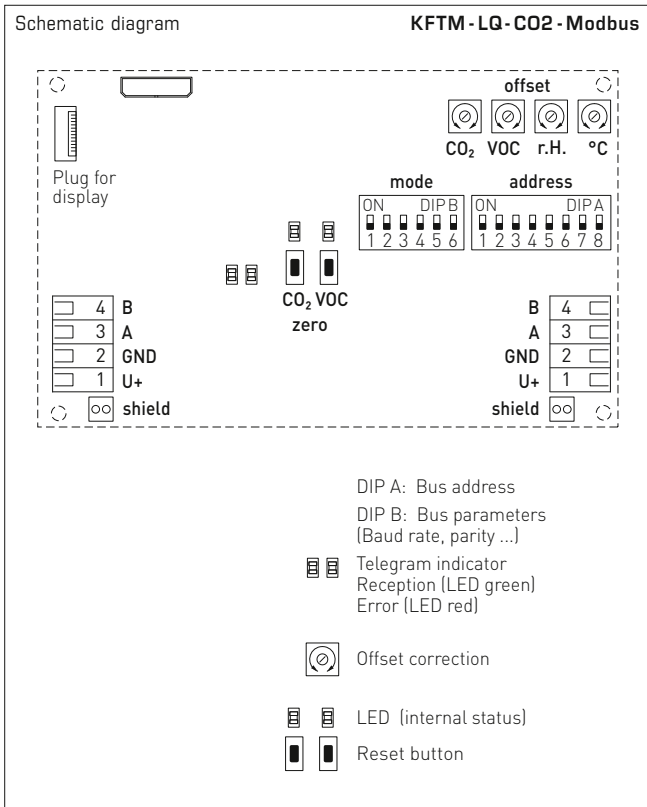
KFTM - CO2 - Modbus
 KFTM - LQ - CO2 - Modbus



SF-M
 metal sinter filter
 (optional)



SF-K
 plastic sinter filter
 (standard)



KFTM - LQ - CO2 - Modbus
with display



AERASGARD® KCO2 - Modbus	Duct sensor for CO ₂ content, <i>Deluxe</i>
AERASGARD® KLQ - CO2 - Modbus	Duct sensor for air quality (VOC) and CO ₂ content, <i>Deluxe</i>
AERASGARD® KFTM - CO2 - Modbus	Multifunctional duct sensor for humidity, temperature and CO ₂ content, <i>Deluxe</i>
AERASGARD® KFTM - LQ - CO2 - Modbus	Multifunctional duct sensor for humidity, temperature, air quality (VOC) and CO ₂ content, <i>Deluxe</i>

Type / WG02	Measuring Range	Humidity	Temperature*	CO ₂	VOC	Display	Item No.	Price
KCO2-Modbus								
KCO2-Modbus	-	-	-	5000 ppm	-		1501-8110-6001-200	386,67 €
KCO2-Modbus LCD	-	-	-	5000 ppm	-	■	1501-8110-6071-200	448,70 €
KLQ - CO2-Modbus								
KLQ-CO2-Modbus	-	-	-	5000 ppm	0...100%		1501-8111-6001-500	436,50 €
KLQ-CO2-Modbus LCD	-	-	-	5000 ppm	0...100%	■	1501-8111-6071-500	509,98 €
KFTM - CO2-Modbus								
KFTM-CO2-Modbus	0...100% RH	-35...+80 °C	-	5000 ppm	-		1501-8116-6001-200	396,64 €
KFTM-CO2-Modbus LCD	0...100% RH	-35...+80 °C	-	5000 ppm	-	■	1501-8116-6071-200	483,83 €
KFTM - LQ - CO2-Modbus								
KFTM-LQ-CO2-Modbus	0...100% RH	-35...+80 °C	-	5000 ppm	0...100%		1501-8118-6001-500	518,71 €
KFTM-LQ-CO2-Modbus LCD	0...100% RH	-35...+80 °C	-	5000 ppm	0...100%	■	1501-8118-6071-500	609,62 €

Optional: Cable connection with **M12 connector** according to DIN EN 61076-2-101 shortened protective tube **PLEUROFORM™**, NL = 100 mm on request on request

Note: This unit **must not** be used as safety-relevant device!

* International system of units **SI** (default) can be changed to **imperial** (via Modbus).

ACCESSORIES				
KA2-Modbus	Communication adapter (USB/RS485) for system connection		1906-1200-0000-100	220,41 €
LA-Modbus	Line termination device (with terminating resistor) as an active bus termination		1906-1300-0000-100	82,20 €
SF-M	Metal sinter filter , Ø 16 mm, L = 32 mm, exchangeable, stainless steel V4A (1.4404)		7000-0050-2200-100	43,60 €
MFT-20-K	Mounting flange , plastic (included in the scope of delivery)		7000-0031-0000-000	9,85 €

For further information, see last chapter Accessories!

Duct air flow sensor or measuring transducer for flow velocity, volume flow and temperature, incl. mounting flange, calibratable, Modbus connector

S+S REGELTECHNIK

Calibratable duct air flow sensor **RHEASGARD® KLGF-Modbus** with Modbus connector, housing made of impact-resistant plastic with quick-locking screws, with cable gland (optional M12-connector according to DIN EN 61076-2-101) optionally with / without display, to determine the flow velocity (0.1...20 m/s).

Calibratable duct air flow sensor **RHEASGARD® KLGFVT-Modbus** with Modbus connector, housing made of impact-resistant plastic with quick-locking screws, with cable gland (optional M12-connector according to DIN EN 61076-2-101) optionally with/ without display, to determine the flow velocity (0.1...20 m/s) and temperature (0...+50 °C). The following parameters can be retrieved from the Modbus: flow velocity, volume flow (calculated) and temperature.

The flow sensors are suitable for monitoring or controlling airflows in ducts, at fans and dampers, for flow-dependent monitoring of humidifiers and electric heating registers according to DIN 57100, Sect. 420, or for use in connection with DDC systems.

Innovative Modbus sensor with galvanically separated RS485 Modbus interface, selectable bus termination resistance, DIP switch for setting the bus parameters and bus address in current-free state, internal LEDs for telegram status display, two separate push-in terminals and large three-line display (illuminated). The sensor is factory-calibrated.

Protective tube (NL) **120 mm**



Protective tube (NL) **220 mm**



TECHNICAL DATA

Power supply:	24 V AC / DC (± 10 %)
Current consumption:	approx. 4 VA
Data points:	Flow velocity [m/s], volume flow [m³/h], temperature [°C]
AIR FLOW	
Sensor:	Calorimetric, temperature compensated, sensor breakage protection, with manual zero-point calibration (via button)
Measuring range:	0.1...20 m/s
Accuracy:	0.5 m/s + 3 % measured value
Long-term stability:	± 0.5 % final value per year
Reproducibility:	± 1.0 % final value
Warm-up time:	< 2 min
Response time:	< 5 s
Start-up override:	0...120 s (adjustable via potentiometer)
TEMPERATURE KLGF(V)T	
Sensor:	NTC 10k
Measuring range:	0...+50 °C
Accuracy:	typical ± 0.5 K at +25 °C
Bus protocol:	Modbus (RTU mode), address range 0... 247 selectable
Signal filtering:	0...30 values
Protective tube:	PLEUROFORM™ , material polyamide (PA6), with torsion protection, Ø 20 mm, NL = 120 mm / 220 mm, v _{max} = 30 m/s (air), optional on request made of stainless steel V2A (1.4301), Ø 16 mm
Housing:	Plastic, UV-resistant, polyamide material, 30 % glass-globe reinforced, with quick-locking screws (slotted / Phillips head combination), colour traffic white (similar to RAL 9016), housing cover for display is transparent!
Housing dimensions:	126 x 90 x 50 mm (Tyr 2)
Cable connection:	Cable gland made of plastic (M 16 x 1.5; with strain relief, replaceable, max. inner diameter 10.4 mm), optionally with M12 connector according to DIN EN 61076-2-101
Electrical connection:	0.2 - 1.5 mm², via push-in terminal
Process connection:	by means of plastic mounting flange (included in the scope of delivery)
Ambient temperature:	Storage -20...+50 °C; operation 0...+50 °C
Medium temperature:	0...+70 °C
Permitted humidity:	< 98 % RH, non-precipitating air free of harmful substances
Protection class:	III (according to EN 60 730)
Protection type:	IP 65 (according to EN 60 529) housing; IP20 sensor technology
Standards:	CE conformity according to EMC Directive 2014 / 30 / EU, according to EN 61326-1, according to EN 61326-2-3
Optional:	Display with illumination , three-line, cutout approx. 70 x 40 mm (W x H), to display the flow velocity, volume flow and temperature (cyclical) or a selectable parameter (static)
ACCESSORIES	see last chapter

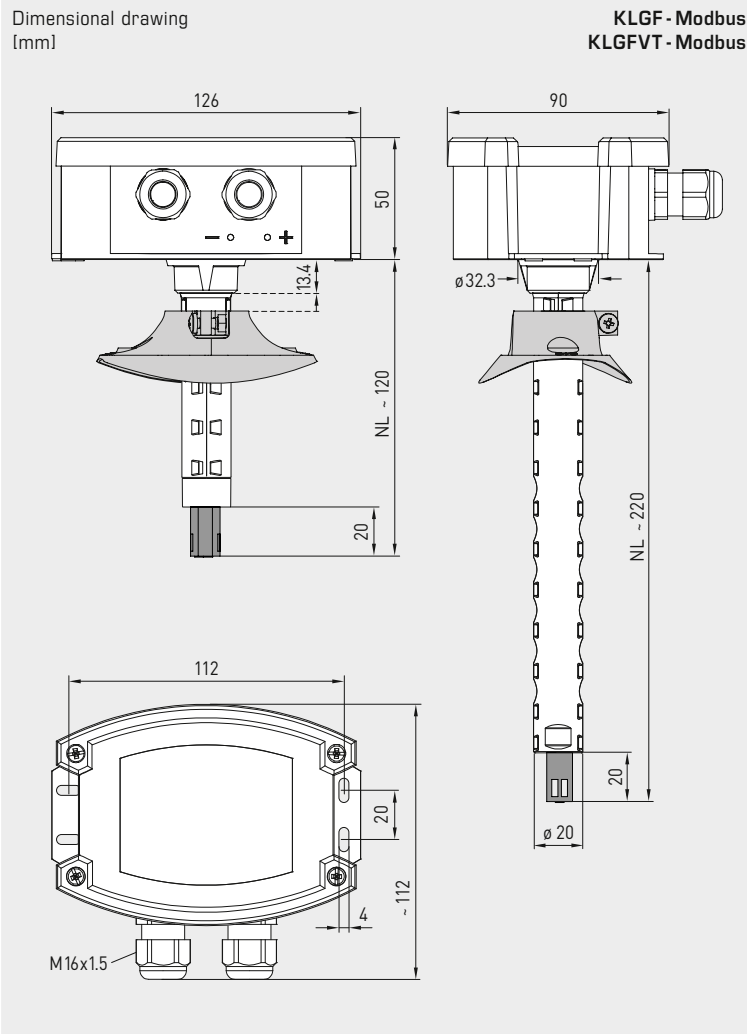


NEW

S+S REGELTECHNIK

RHEASGARD® KLGF-Modbus RHEASGARD® KLGFTV-Modbus

Duct air flow sensor or measuring transducer for flow velocity, volume flow and temperature, incl. mounting flange, calibratable, Modbus connector



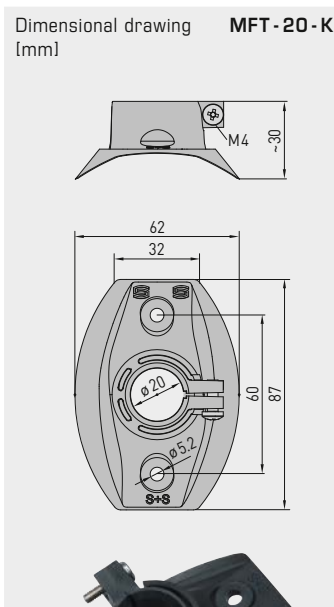
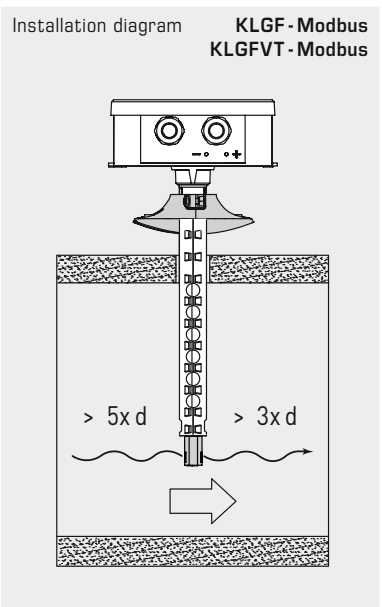
**KLGF - Modbus
KLGFTV - Modbus**



**KLGF - Modbus
with display**



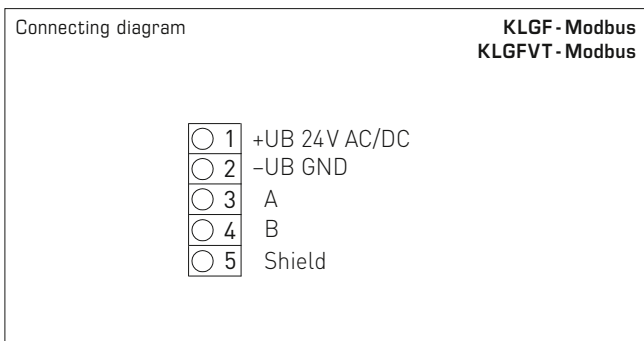
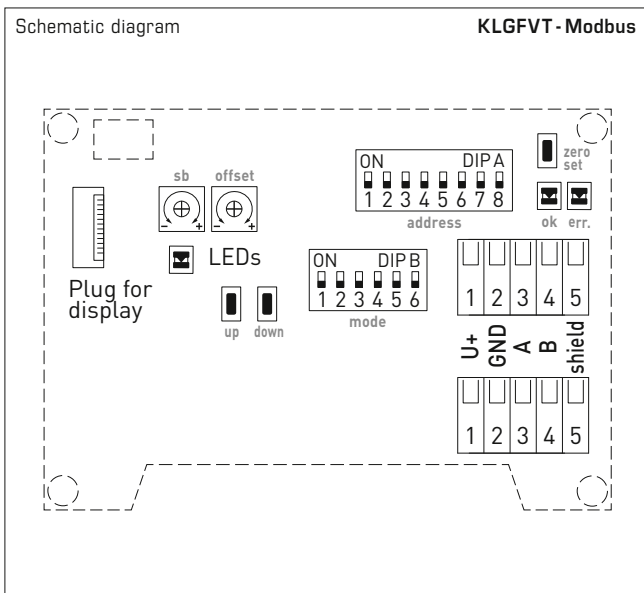
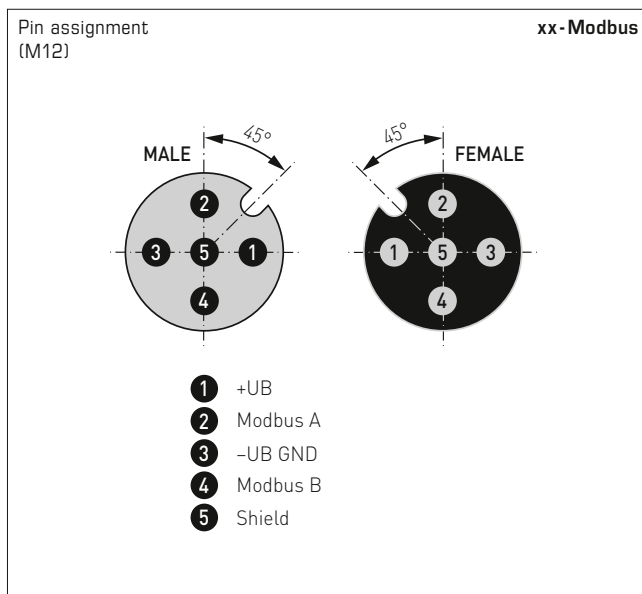
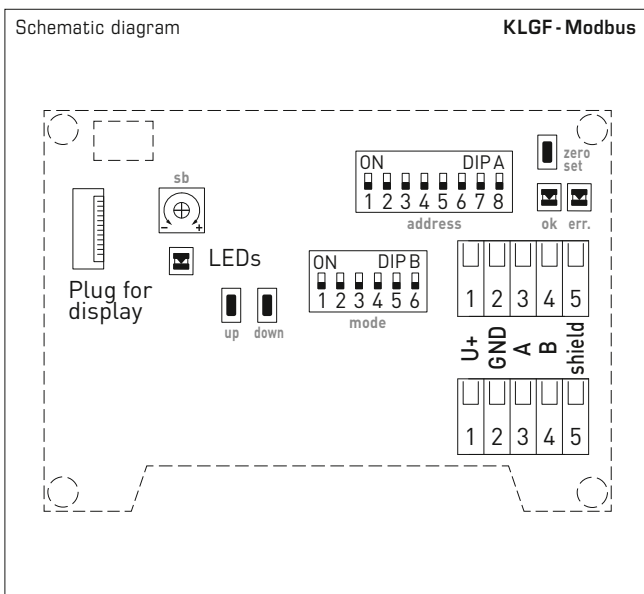
**KLGFTV - Modbus
with display**



MFT - 20 - K
Mounting flange
made of plastic



Duct air flow sensor or measuring transducer for
 flow velocity, volume flow and temperature,
 incl. mounting flange, calibratable, Modbus connector



Protective tube (NL) 120 mm

Protective tube (NL) 220 mm





NEW

S+S REGELTECHNIK

RHEASGARD® KLGf-Modbus
RHEASGARD® KLGfVT-Modbus

Duct air flow sensor or measuring transducer for flow velocity, volume flow and temperature, incl. mounting flange, calibratable, Modbus connector

KLGFVT-Modbus
with display



KLGF-Modbus
with display



KLGF-Modbus
KLGFVT-Modbus



RHEASGARD®
KLGF-Modbus Duct air flow sensor or measuring transducer, *Deluxe*
KLGFVT-Modbus Duct air flow sensor or measuring transducer for flow velocity, volume flow and temperature, *Deluxe*

Type / WG01	Measuring ranges			Output	Display (NL)	Item no.	Price
	Flow velocity	Volume flow	Temperature				
KLGF-Modbus							
KLGF-Modbus 120mm	0.1...20 m/s	–	–	Modbus	120 mm	1701-4216-0102-000	316,21 €
KLGF-Modbus LCD 120mm	0.1...20 m/s	–	–	Modbus	120 mm	1701-4216-1102-000	380,07 €
KLGF-Modbus	0.1...20 m/s	–	–	Modbus	220 mm	1701-4216-0101-000	300,76 €
KLGF-Modbus LCD	0.1...20 m/s	–	–	Modbus	220 mm	■ 1701-4216-1101-000	364,62 €
KLGFVT-Modbus							
KLGFVT-Modbus	0.1...20 m/s	0...200 000 m³/h	0...+50 °C	Modbus	220 mm	1701-4216-0401-000	327,82 €
KLGFVT-Modbus LCD	0.1...20 m/s	0...200 000 m³/h	0...+50 °C	Modbus	220 mm	■ 1701-4216-1401-000	389,34 €
Optional:	Cable connection with M12 connector according to DIN EN 61076-2-101					on request	
ACCESSORIES							
KA2-Modbus	Communication adapter (USB/RS485) for system connection					1906-1200-0000-100	220,41 €
LA-Modbus	Line termination device (with terminating resistor) as an active bus termination					1906-1300-0000-100	82,20 €
MFT-20-K	Mounting flange , plastic (included in the scope of delivery)					7000-0031-0000-000	9,85 €
For further information see last chapter!							

Duct top-hat rail air flow sensor or measuring transducer for flow velocity and volume flow, electronic, external flow probe incl. mounting flange, calibratable, with Modbus connection

Electronic duct top-hat rail air flow sensor **RHEASGARD® KHSSFV-Modbus** with Modbus connection, housing for installation in distributor boxes or control cabinets with 35 mm mounting rail, external flow probe incl. mounting flange, for determining the flow velocity (0.1...20 m/s). The following parameters can be retrieved from the Modbus: Flow velocity and volume flow (calculated).

The flow sensors is suitable for monitoring or controlling airflows in ducts, at fans and dampers, for flow-dependent monitoring of humidifiers and electric heating registers according to DIN 57100, Sect. 420, or for use in connection with DDC systems.

Innovative Modbus sensor with galvanically isolated RS485 Modbus interface, switchable bus terminating resistance, DIP switch for setting the bus parameters and bus address in current-free state, LEDs for telegram status display. The sensor is factory-calibrated.

TECHNICAL DATA

Power supply:	24 V AC / DC (± 10 %)
Current consumption:	approx. 4 VA
Data points:	Flow velocity [m/s], volume flow [m³/h]

AIR FLOW

Sensor:	calorimetric, temperature compensated, sensor breakage protection
Measuring range:	0.1...20 m/s
Accuracy:	0.5 m/s + 3% measured value
Long-term stability:	± 0.5 % of final value per year
Reproducibility:	± 1.0 % of final value
Warm up time:	< 2 min
Response time:	< 5 s
Start-up override:	20 m/s for 60 s (after applying the supply voltage)

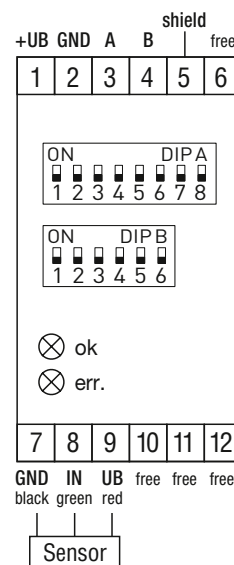
GENERAL

Bus protocol:	Modbus (RTU mode), Address range can be set from 0...247
Signal filtering:	0...30 values
LED operating status indicator:	Green LED [ok] error-free protocol received Red LED [err.] protocol or checksum contains errors
Housing:	PC / ABS (UL94-V0) material, light grey colour, 36 mm (2TE) wide for 35 mm mounting rail, approx. 90 x 36 x 58 mm (HxWxD)
Probe/sensor:	Polyamide (PA6) material, white colour (blue sensor holder), with torsion protection, Ø 12 mm, EL = approx. 20-155 mm, v _{max} = 20 m/s (air)
Sensor cable:	PVC LiYY, 3-wire, KL = approx. 2.4 m
Electrical connection:	0.14-2.5 mm², via screw terminal
Process connection:	by means of mounting flange with seal (included in the scope of delivery)
Ambient temperature:	Storage -20...+50 °C; operation 0...+50 °C
Medium temperature:	0...+70 °C
Permitted humidity:	< 98 % RH, non-precipitating air free of harmful substances
Protection class:	III (according to EN 60 730)
Protection type:	IP 30 (according to EN 60 529) housing IP 20 (according to EN 60 529) probe

Standards: CE conformity according to EMC Directive 2014/30/EU, according to EN 61326-1, according to EN 61326-2-3

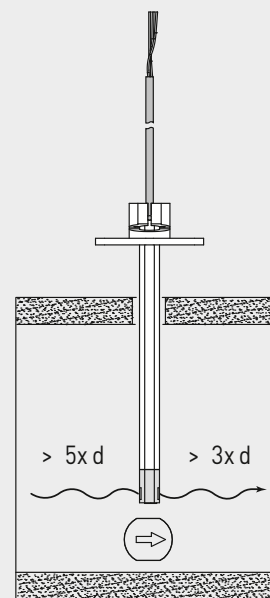
ACCESSORIES see last chapter

Connection diagram KHSSFV-Modbus



Note:
To set the internal DIP switches, the housing cover must be removed.

Mounting diagram KHSSFV-Modbus



Note for mounting:
Sensor works unidirectionally. Observe the markings for the direction of flow!



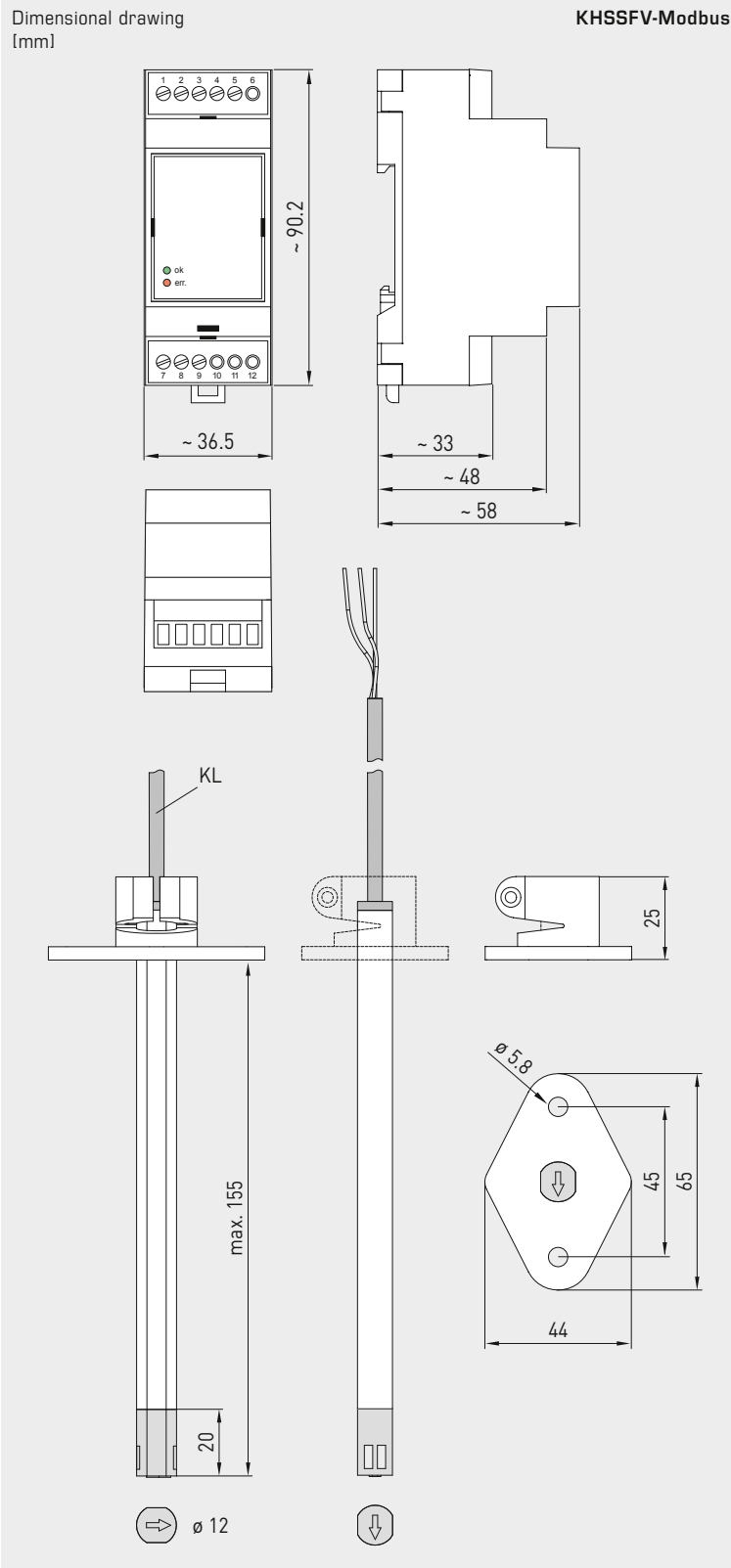


NEW

S+S REGELTECHNIK

RHEASGARD® KHSSFV-Modbus

Duct top-hat rail air flow sensor or measuring transducer for flow velocity and volume flow, electronic, external flow probe incl. mounting flange, calibratable, with Modbus connection



KHSSFV-Modbus Housing



KHSSFV-Modbus Probe



RHEASGARD® KHSSFV-Modbus Duct top-hat rail air flow sensor or measuring transducer for flow velocity and volume flow, Deluxe				
Type / WG01	Measuring ranges	Output	Item no.	Price
	Flow velocity			
	Volume flow			
KHSSFV-Modbus				
KHSSFV-Modbus	0.1...20 m/s	Modbus	1701-5216-0302-000	359,47 €

**Line termination device with terminating resistor
for the active bus termination of RS485 networks**

LA-Modbus

Line termination device **MODKON® LA-Modbus T3** with terminating resistor, in an impact-resistant plastic housing with quick-locking screws.

The line termination serves as an active bus termination for RS485 networks (ANSI TIA/EIA-485), such as Modbus RTU. It contains a terminating resistor with a biasing network, which pre-defines the bus signals to a safe value (fail-safe biasing) during bus idle time.

The bus termination can be fully switched on or off via DIP switches. This allows various operating scenarios to be tested in a simple manner whenever servicing is needed.

For very long network cables, both end points can also be provided with an active bus termination to improve interference immunity under harsh environmental conditions.



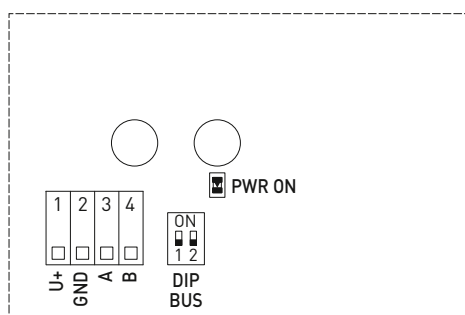
TECHNICAL DATA

Power supply:	24 V AC (±20%) and 15...36 V DC
Power consumption:	< 0.5 W / 24 V DC; < 0.5 VA / 24 V AC
Housing:	Plastic, UV-resistant, polyamide material, 30% glass-globe reinforced, with quick-locking screws (slotted / Phillips head combination), colour traffic white (similar to RAL 9016)
Housing dimensions:	108 x 78.5 x 43.3 mm (Tyr 3 without display)
Cable connection:	Cable gland, plastic (2x M20 x 1.5; with strain relief, exchangeable, inner diameter 8 - 13 mm)
Electrical connection:	0.2 - 1.5 mm², using push-in terminals
Ambient temperature:	-30...+70 °C
Permitted humidity:	< 95% RH, non-precipitating air
Protection class:	III (according to EN 60 730)
Protection type:	IP65 (according to EN 60 529)
Operation display:	Status LED PWR ON (supply voltage)
Standards:	CE conformity, electromagnetic compatibility according to EN 61326, according to EMC Directive 2014 / 30 / EU

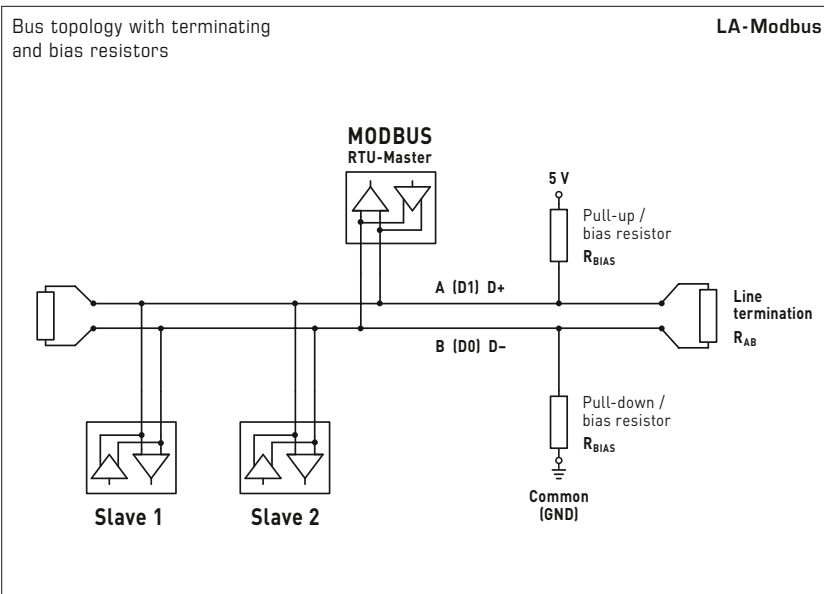
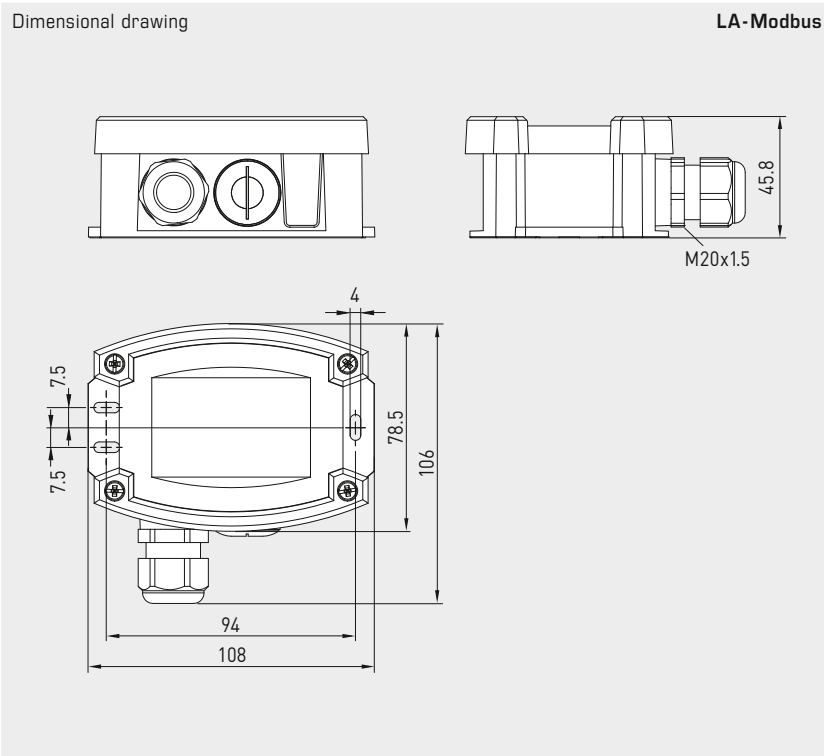
DIP 1	DIP 2	Resistance (type adjustable)	Bus termination (explanation)
ON	ON	R_{AB} active and R_{BIAS} active	Line termination and BIAS active
ON	OFF	R_{AB} active	Line termination active
OFF	OFF	Deactivated	Bus termination switched off

Connecting diagram

LA-Modbus



- Push-in terminal**
- +UB** Terminal 1: +UB 24V
- GND** Terminal 2: -UB GND
- A/B** Terminal 3/4: RS485 Modbus
- Status LED**
- PWR ON** Supply voltage
- DIP switch**
- DIP BUS** Activation or deactivation of the bus termination



MODKON® LA-Modbus Line termination device with terminating resistor			
Type / WG01	Bus termination (adjustable)	Item No.	Price
LA-Modbus	1. Line termination and BIAS active 2. Line termination active 3. Bus termination deactivated	1906-1300-0000-100	82,20 €

Note: The bus termination can be fully switched on or off (via DIP switches).

Communication adapter incl. software MODKON RTU,
with USB and RS485 interface,
for system connection of S+S Modbus sensors

KA2-Modbus

Communication adapter **MODKON® KA2-Modbus T3** with USB and RS485 interface, in an impact-resistant plastic housing with quick-locking screws, incl. software.

The communication adapter serves as connecting element between an S+S Modbus sensor and a PC (Windows). A standard USB port enables quick and straightforward connection to the system; there is no need for an additional power supply.

When used in combination with the S+S software **MODKON RTU** (included in delivery), it offers a very convenient way to test the response behaviour of the sensor.

The Auto Scan function of the software automatically detects the device type, the device address and the set bus parameters. In this way, communication with the connected S+S Modbus sensor is possible without the need for additional settings. The ideal first step to gain experience with Modbus technology.

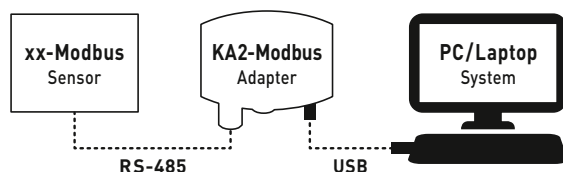


TECHNICAL DATA

Power supply:	Takes place via USB connection
Output:	Voltage: 15 V; Current: 100 mA
Interfaces:	Standard USB port for system connection, power supply RS485 interface for connection of an S+S Modbus sensor
Compatibility:	S+S Modbus sensors for the device classes THERMASGARD® , HYGRASGARD® , PREMASGARD® , AERASGARD®
Housing:	Plastic, UV-resistant, polyamide material, 30% glass-globe reinforced, with quick-locking screws (slotted / Phillips head combination), colour traffic white (similar to RAL 9016)
Housing dimensions:	108 x 78.5 x 45.8 mm (Tyr 3)
Cable connection:	Cable gland, plastic (2x M 20 x 1.5; with strain relief, exchangeable, inner diameter 8 - 13 mm)
Electrical connection:	0.2 - 1.5 mm ² , using push-in terminals
Ambient temperature:	-30...+70 °C
Permitted humidity:	< 95% RH, non-precipitating air
Protection class:	III (according to EN 60 730)
Protection type:	IP 54 (according to EN 60 529) housing only!
Standards:	CE conformity, electromagnetic compatibility according to EN 61326, according to EMC Directive 2014 / 30 / EU

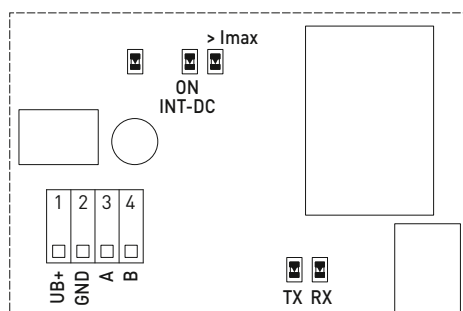
Mounting diagram

KA2-Modbus



Connecting diagram

KA2-Modbus

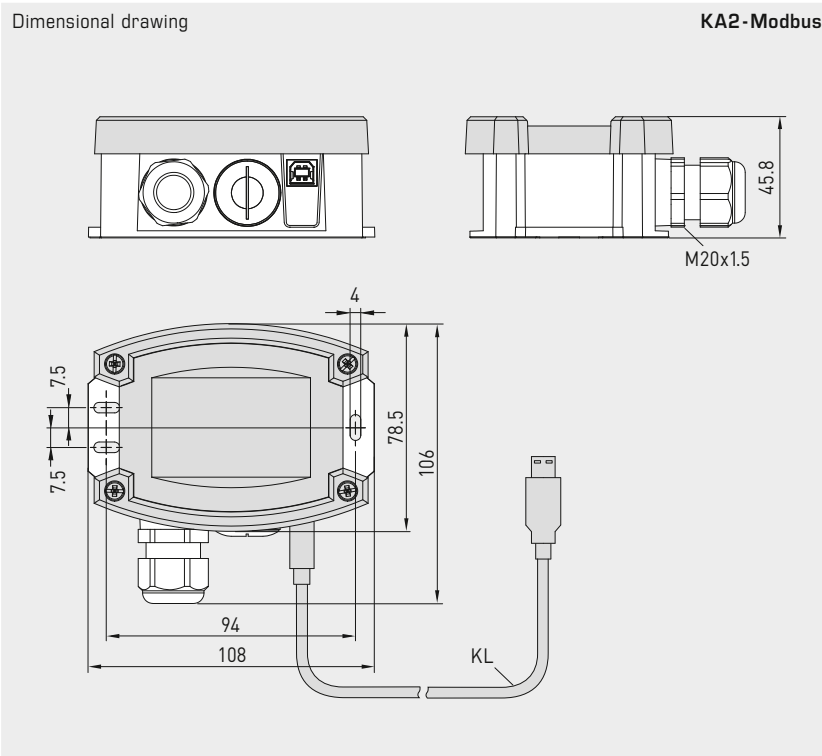


- Push-in terminal**
- +UB** Output supply for S+S Modbus sensor
 - GND** approx. 15V (max. 100mA) with supply via USB
 - A/B** RS485 Modbus
- Status LEDs**
- >Imax** Electronic fuse approx. 150mA
 - INT-DC** Internal supply (USB)
 - TX** Transmit telegrams
 - RX** Receive telegrams



S+S REGELTECHNIK

Communication adapter incl. software MODKON RTU,
with USB and RS485 interface,
for system connection of S+S Modbus sensors



KA2-Modbus

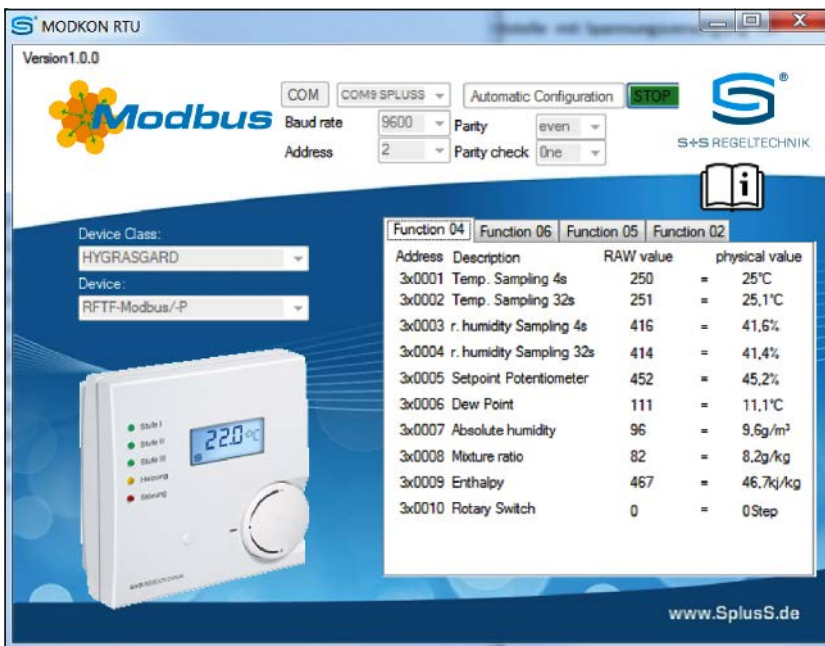


Fig. shows the input screen of the S+S software MODKON RTU (included in the scope of delivery) based on the example of the S+S Modbus sensor HYGRASGARD® RFTF-Modbus

MODKON® KA2-Modbus Communication adapter incl. software				
Type / WG01	Interfaces	Software	Item No.	Price
KA2-Modbus	USB + RS485	MODKON RTU	1906-1200-0000-100	220,41 €

Note: You can find information on how to operate the software on the USB stick included or in the online shop.

**Gateway with W-Modbus module,
for radio-based connection to Modbus networks**

GW-wModbus

The gateway KYMASGARD® GW-wModbus with Modbus connection and W-Modbus module, in an impact-resistant plastic housing with quick-locking screws, for on-wall installation, serves as a transition between wired Modbus and radio-based W-Modbus.

Up to 100 nodes can communicate with each other over a long distance of up to 500 metres (open field). An electrically isolated RS485 transceiver is used on the wired end (bus parameters can be set via DIP switches).

The simple **structure of the radio network** and the connection stability enable uncomplicated extension of existing systems with wireless W-Modbus sensors. Even mixed configurations of wired and wireless Modbus units can be easily integrated into existing network topologies via the W-Modbus gateway. Various operating modes are available for this purpose.

Gateway operation for connection to an existing Modbus topology or directly to a DDC, serves as a base station for W-Modbus sensors (max. 100 radio nodes).

Node operation enables the radio-based connection of a wired Modbus sensor to a W-Modbus network (max. 1 wired sensor).

Node Pro operation (extended node operation is optional) serves for the radio-based connection of several wired Modbus sensors (max. 16 wired nodes).

Thanks to the **innovative parametrisation** of the W-Modbus interface and the elimination of Modbus wiring, the entire W-Modbus network can be preconfigured (teaching the W-Modbus-nodes, assignment of gateway parameters). This means that the network can be installed and put into operation quickly and easily at the destination.

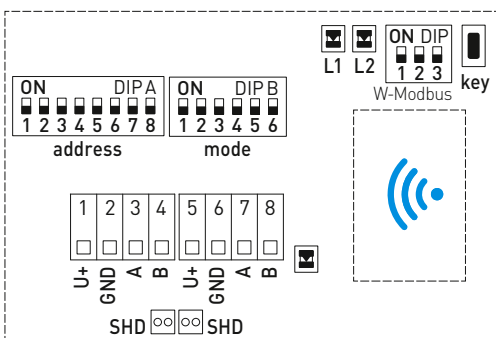


TECHNICAL DATA

Power supply:	24 V AC (±20%); 15...36 V DC
Power consumption:	< 1.0 W / 24 VDC; < 1.4 VA / 24 VAC
Communication:	Modbus RTU (RS485 interface for RTU cable) and W-Modbus (Wireless Modbus with 2.4 GHz ISM)
Range:	max. 500 metres (open field) between two radio nodes
Nodes:	max. 100 radio nodes
Housing:	Plastic, UV-resistant, polyamide material, 30 % glass-globe reinforced, with quick-locking screws (slotted / Phillips head combination), colour traffic white (similar to RAL 9016)
Housing dimensions:	108 x 78.5 x 43.3 mm (Tyr 3 without display)
Cable connection:	Cable gland, plastic (2x M20 x 1.5; with strain relief, exchangeable, inner diameter 8 - 13 mm)
Electrical connection:	0.2 - 1.5 mm², using push-in terminals
Ambient temperature:	-30...+70 °C
Permitted humidity:	< 95 % RH, non-precipitating air
Protection class:	III (according to EN 60 730)
Protection type:	IP65 (according to EN 60 529)
Standards:	CE-conformity, electromagnetic compatibility according to EN 61326, EMC directive 2014 / 30 / EU, Radio Directive ETSI 300 328 V2.2.2

Connection diagram

GW-wModbus

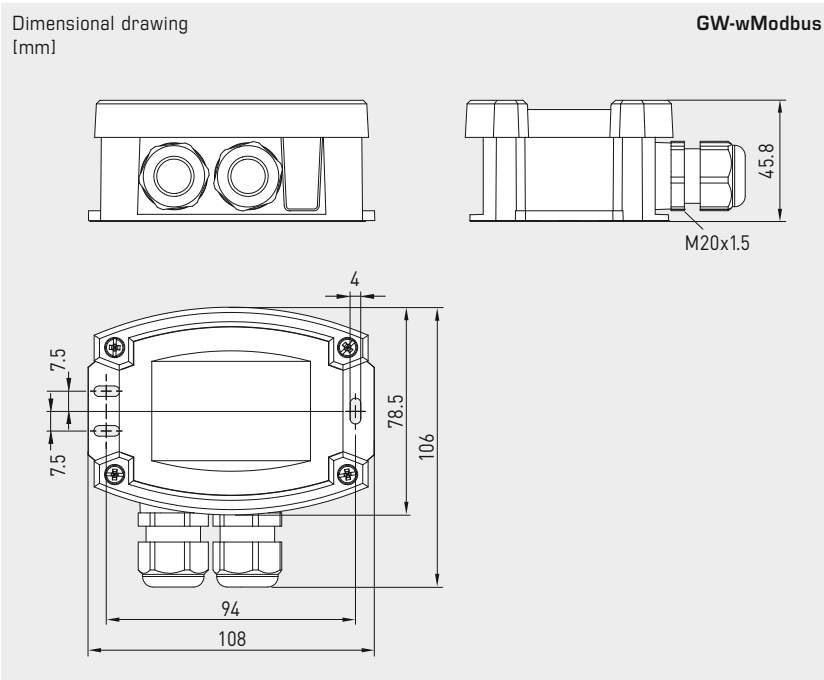


- DIP A: Bus address
- DIP B: Bus parameters (Baud rate, parity...)
- DIP W-Modbus: Operating mode (Gateway, Node...)
- Teach-in key (**key**)
- Network Status (**L1**)
- Connection quality (**L2**)
- Telegram indicator
- Shielding (**SHD**)

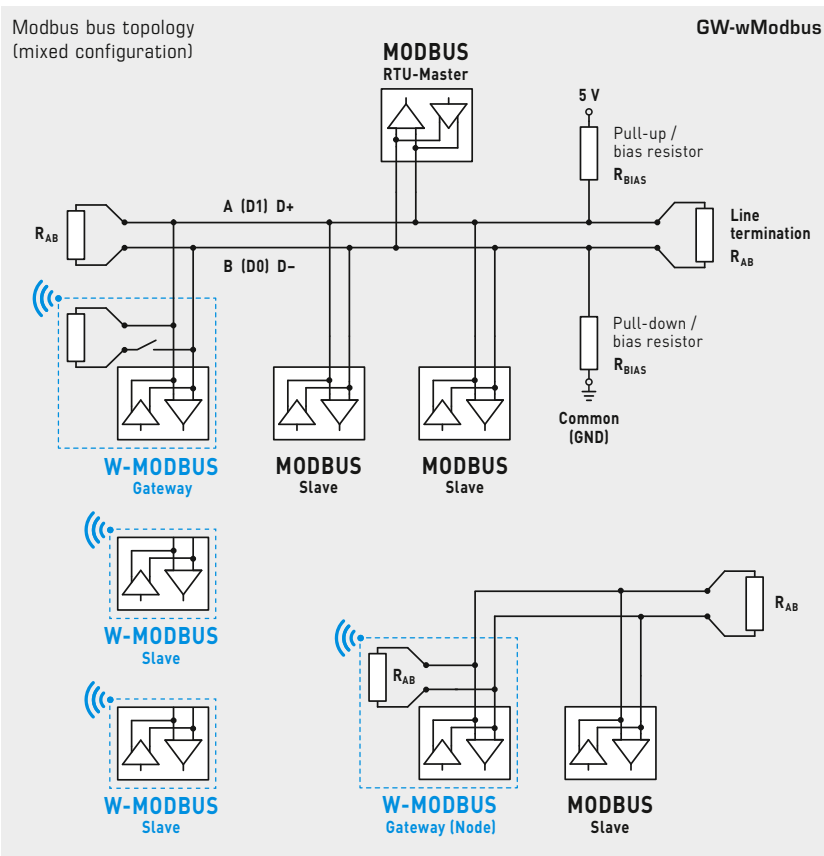
For further technical information, see the operating instructions



NEW



GW-wModbus



KYMASGARD® Gateway with W-Modbus module,
GW-wModbus for radio-based connection to Modbus networks

Type / WG02	Communication	Operating modes	Item no.	Price
GW-wModbus				
GW-wModbus	Modbus RTU / W-Modbus (Wireless)	Gateway + Node	1801-1211-1101-000	229,00 €
GW-wModbus Pro	Modbus RTU / W-Modbus (Wireless)	Gateway + Node Pro	1801-1211-1101-100	310,00 €

Note: "Pro" extends node operation to a maximum of 16 wired nodes



Temperature

THERMASGARD® passive sensors – tracking the perceived temperature

Our passive temperature sensors have proven themselves countless times in all temperature measurement applications. Technology and quality for precise measurement results you can rely on.

The units are available in a wide range of designs and individual variants to suit your requirements.

Application Areas

- Hospitals, museums, schools, hotels and administration buildings
- Power plants and district heating facilities
- Pharmaceutical and food industry
- Production plants
- Heating systems





THERMASGARD® PASSIVE TEMPERATURE SENSORS



Room sensors

DTF	In-ceiling temperature sensor	199
RTF	Room temperature sensor, on-wall	182
RTF 1	Room temperature sensor, on-wall	184
FSTF	Room temperature sensor, in-wall	192
FSTF 1	Room temperature sensor, in-wall	193
RPTF 1	Pendulum room temperature sensor	256
RPTF 2	Pendulum room temperature sensor	257
RSTF	Room radiation temperature sensor	259
RTF-xx	Room control units, on-wall	186
FSTF-xx	Room control units, in-wall	194

Outdoor sensor, on-wall sensor

ATF01	Outside temperature sensor	200
ATF 1	Outside temperature sensor	201
ATF 2	Outside temperature sensor	203
ASTF	On-wall radiation temperature sensor	258

Duct sensors, surface-contact sensors

HTF	Sleeve temperature sensor with cable	246
OFTF	Surface temperature sensor	251
ALTF 1	Surface-contact temperature sensor with cable	252
ALTF 02	Surface-contact temperature sensor	254
ALTF 2	Surface-contact temperature sensor	255

Duct, immersion, screw-in sensors

TF43	Duct / immersion / screw-in sensor	208
TF65	Duct / immersion / screw-in sensor	206
TF54	Duct / immersion / screw-in sensor	220
MWTF	Mean-value temperature sensor	215
MWTF-SD	Mean-value temperature sensor	215
ETF 6	Screw-in sensor with neck tube	228
ETF 7	Screw-in sensor, fast-acting	217
RGTF 2	Smoke gas screw-in sensor	241
RGTF 1	Smoke gas duct sensor	235
HTF	Duct / immersion / screw-in sensor with cable	248

Immersion sleeves and accessories

see chapter Accessories	638
-------------------------	------------





Temperature

THERMASGARD® & THERMASREG® Sensor technology for heat and cold

Broad Spectrum

Our passive temperature sensors have a proven fit in countless applications across all areas of temperature measurement. Technology for best measuring results you can rely on. Available in various different models and individual versions to meet your precise requirements.

Optimum Precision

The devices are calibrated in-house in climate cabinets and are tested according to the latest criteria. Each sensor is precisely re-adjustable using offset potentiometers. Take advantage of our experience, our development, manufacturing and product know-how and order these products directly from the manufacturer.

Tested safety and certified quality



RoHS conforming materials



ESD compliant manufacturing



DIN tested / certified devices



CE conformity



UKCA conformity (UK Conformity Assessed)



EAC certified

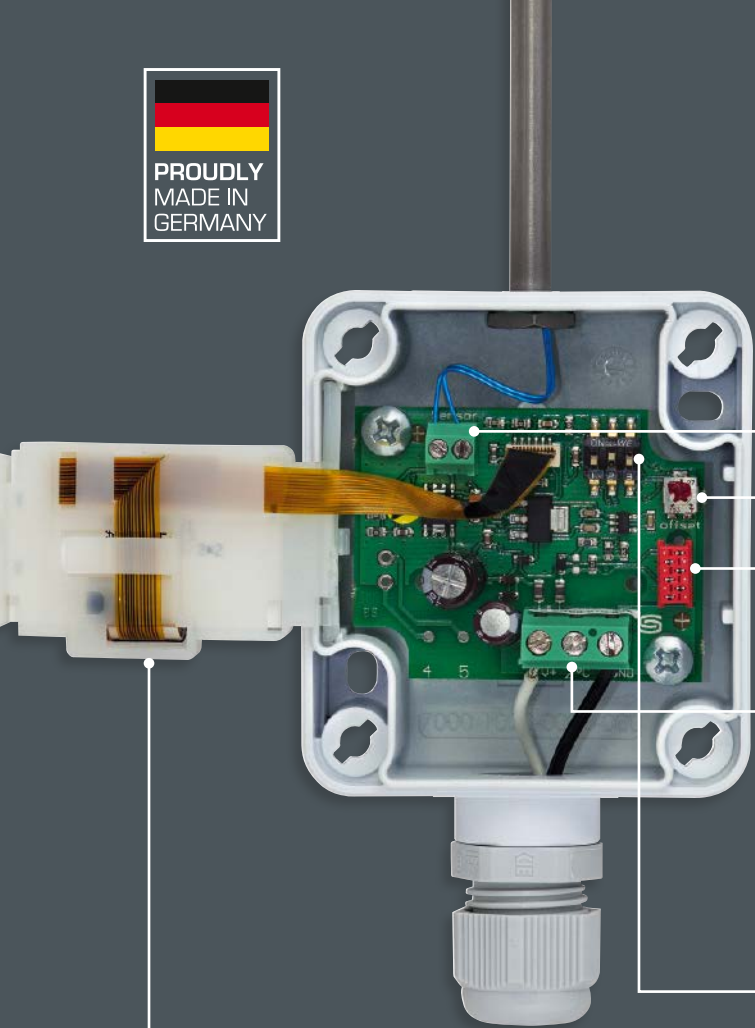


GOST certified

Development, production and sales are certified by TÜV Thüringen according to DIN EN ISO 9001:2015 (quality management) and ISO 14001:2015 (environmental management).

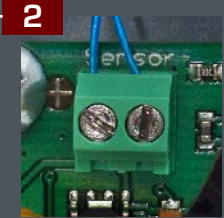
The **THERMASGARD® 1101-I** with current output (Test No. 69871-01939-1) and the **THERMASGARD® 1101-U** with voltage output (Test No. 69871-01940-1) are tested and certified according to DIN EN 61326-1:2006 and EN 61326-2-3:2006 by TÜV SÜD.

THERMASREG® ETR and **KTR** are tested and certified according to DIN EN 14597:2015-01.



Illuminated Display

With backlighting as well as display of range violation, sensor breakage, sensor short circuit and physical units



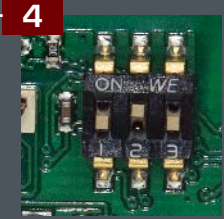
Sensors

Internal sensors / external sensors



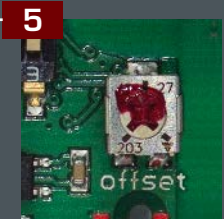
Screw Terminals

Active output signals 0-10V, 4...20 mA or switched as well as passive outputs (e.g. Pt1000, Ni1000 etc.)



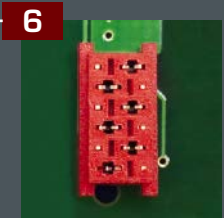
DIP Switches

For multi-range toggling and setting of measuring ranges



Offset Potentiometer

For fine adjustment (zero point offset) and readjustment upon recalibration



Quality Assurance

Calibration and balancing are done by means of the bus system in climate cabinets



Configuration variants

Room temperature sensors and measuring transducers, on-wall, device series Baldur

The room temperature sensors/measuring transducers serve for temperature measurement (in non-precipitating air), setpoint adjustment, presence detection or as a control panel with push-buttons, switches, potentiometers, status indicators (LED) in residential rooms, workshops, office and business facilities, and in the industrial sector.

Technical details for temperature measuring transducers see chapter "Temperature sensor active".

Here is a selection of equipment versions for room temperature sensors. Special versions can be custom-made upon request.

DEVICE SERIES

- Baldur 1 (85 x 85 x 27 mm)
- Baldur 2 (98 x 98 x 33 mm)

Baldur lying



Baldur 1 without operating elements



Baldur 1 with display



Baldur 1 with display and potentiometer



Baldur 1 with potentiometer, push-button and LED



Baldur 1 with potentiometer and rocker switch



Baldur 1 with potentiometer and push-buttons



Baldur 1 with potentiometer and LEDs



Baldur 1 with potentiometer and LEDs



Baldur 1 with potentiometer and LEDs





Baldur 2
without operating elements



Baldur 2
with display



Baldur 2 with display,
potentiometer and LEDs



Baldur 2
with LEDs and push-buttons



Baldur 2
with LEDs and push-buttons



Baldur 2 with potentiometer,
turn switch and LEDs



Baldur 2 with potentiometer,
turn switch and LEDs



Baldur 2 with potentiometer,
push-buttons, LEDs and rocker switch



Baldur 2 with potentiometer, turn switch,
LEDs and rocker switch



Baldur 2 with potentiometer
and turn switch



Baldur 2 with potentiometer,
turn switch, LEDs and push-buttons



Baldur 2 with potentiometer,
turn switch, LEDs and push-buttons



**Room temperature sensor,
on-wall, with passive output**

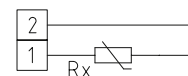
Room temperature sensor **THERMASGARD® RTF 1** with passive output, in attractive plastic housing (Baldur 1) with snap-on enclosure cover, base with 4-hole attachment, for mounting on vertically or horizontally installed in-wall flush boxes, with predetermined breaking point for on-wall cable entry or in stainless steel housing (top and base made of stainless steel, screwed-on enclosure cover) as vandal-proof version e.g. for schools, barracks and public buildings.

This residential room temperature sensor is used to detect the temperature (-30 to +70 °C) in closed, dry rooms, in apartments, cinemas, supermarkets, storage rooms, office and business facilities.

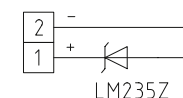
TECHNICAL DATA

Measuring range:	-30...+70 °C
Sensor / output:	passive, see table
Switching type:	2-wire connection (4-wire connection for Pt100/Pt1000A, optional for other sensors)
Testing current:	< 0.6 mA (Pt1000) < 1.0 mA (Pt100) < 0.3 mA (Ni1000, Ni1000 TK5000) < 2.0 mW (NTC xx) 400 µA...5 mA (LM235Z)
Housing:	plastic, material ABS, colour pure white (similar to RAL 9010), optionally in stainless steel V2A (1.4301)
Dimension:	85 x 85 x 27 mm (Baldur 1) 75 x 75 x 25 mm (stainless steel V2A 1.4301)
Mounting:	wall mounting or on in-wall flush box, Ø 55 mm, base with 4 holes, for attachment to vertically or horizontally installed in-wall flush boxes for rear cable entry, with predetermined breaking point for top / bottom cable entry for surface-mounted installation
Electrical connection:	0.14–1.5 mm ² , via screw terminals, secured against unscrewing, only with safety extra-low voltage, max. 24 VDC
Process connection:	via screws
Permitted humidity:	max. 90 % RH, non-condensing air
Protection class:	III (according to EN 60 730)
Protection type:	IP 30 (according to EN 60 529)

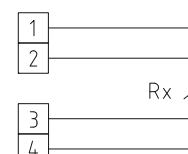
1x two-wire connection
standard



1x two-wire connection
LM235Z (KP 10)

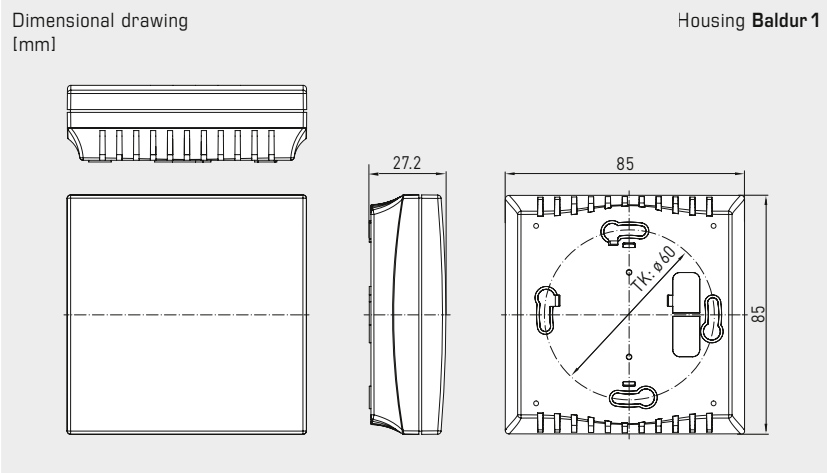


1x four-wire connection
(optional)

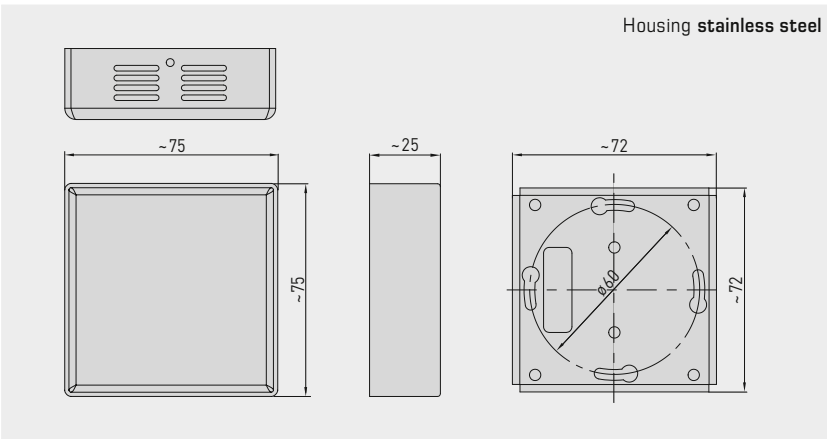


THERMASGARD® RTF 1 Room temperature sensor (Standard)

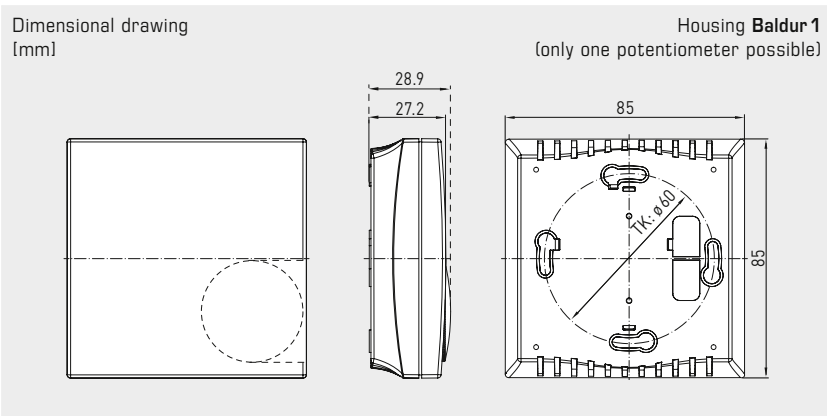
Type / WG03	Sensor / Output	Item No.	Price
RTF1 xx		Baldur 1	
RTF1 Pt100	Pt100 (according to DIN EN 60 751, class B)	1101-40A0-1003-000	24,05 €
RTF1 Pt1000	Pt1000 (according to DIN EN 60 751, class B)	1101-40A0-5000-000	26,75 €
RTF1 Pt1000A	Pt1000 (according to VDI/VDE 3512, class A-TGA)	1101-40A0-6003-000	28,58 €
RTF1 Ni1000	Ni1000 (according to DIN EN 43760, class B, TCR = 6180 ppm / K)	1101-40A0-9000-000	26,38 €
RTF1 NiTK	Ni1000 TK5000 (TCR = 5000 ppm / K), LG-Ni1000	1101-40A1-0000-000	26,38 €
RTF1 LM235Z	LM235Z (TCR = 10mV / K; 2.73V at 0 °C), KP10	1101-40A2-1000-000	24,67 €
RTF1 NTC1,8K	NTC 1.8K	1101-40A1-2000-000	22,47 €
RTF1 NTC10K	NTC 10K	1101-40A1-5000-000	22,47 €
RTF1 NTC20K	NTC 20K	1101-40A1-6000-000	22,47 €
Extra charge:	Stainless steel housing optional Other sensors optional		112,97 € on request



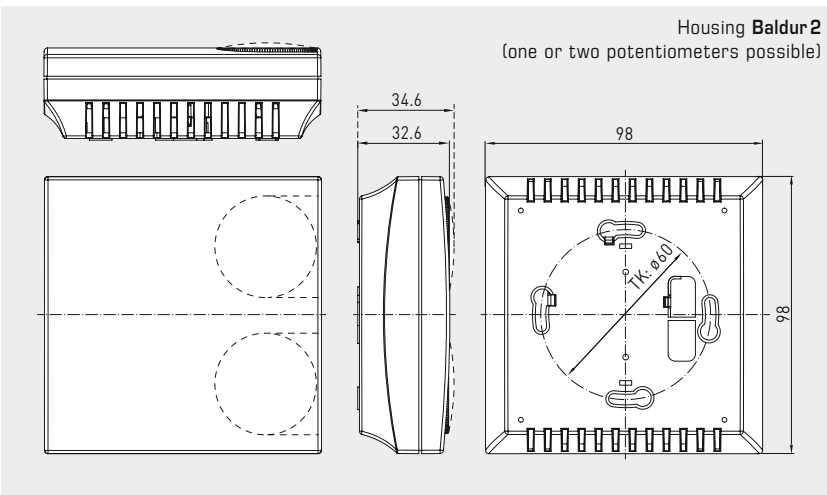
RTF 1
(Baldur 1)



RTF 1
(stainless steel)



RTF xx
(Baldur 1)



RTF xx
(Baldur 2)



Room temperature sensors /
room control unit in different versions,
on-wall, with passive output

Room temperature sensor **THERMASGARD® RTF xx** with passive output, in attractive plastic housing (Balduur 1 / Balduur 2) with snap-on enclosure cover, base with 4-hole attachment, for mounting on vertically or horizontally installed in-wall flush boxes, with predetermined breaking point for on-wall cable entry. Available as a room control unit in various type versions with **control elements** such as setpoint potentiometer (%), rotary switch (max. 5-step), rocker switch, push-button or coloured **LEDs** for displaying the operating states.

This residential room temperature sensor is used to detect/display the temperature (-30...+70 °C) in closed, dry rooms, in apartments, in cinemas, supermarkets, storage rooms, office and business facilities.

TECHNICAL DATA

Measuring range:	-30...+70 °C
Sensor / output:	passive, see table
Switching type:	depending on type, see connection diagram
Testing current:	< 0.6 mA (Pt1000) < 1.0 mA (Pt100) < 0.3 mA (Ni1000, Ni1000 TK5000) < 2.0 mW (NTC xx) 400 µA...5 mA (LM235Z)
Potentiometer:	Standard 1 kOhm, max. 0.1 W (other values optionally available upon request, e.g. 100 Ohm, 2.5 kOhm, 5 kOhm, 10 kOhm – units with active potentiometer RTMxx), with angle of rotation limiter
Rotary switch:	max. 24 V AC/DC, max. 130 mA, up to 5 switching speeds (0, Auto, I, II, III), with angle of rotation limiter
Rocker switch:	max. 24 V AC/DC, max. 130 mA
Push-button:	NO contact, max. 24 VDC, max. 10 mA
LED:	max. 24 VDC (optionally max. 24 VAC), standard green and red (optionally red, yellow or two-tone)
Housing:	plastic, material ABS, colour pure white (similar to RAL 9010)
Dimension:	85 x 85 x 27 mm (Balduur 1) 98 x 98 x 33 mm (Balduur 2)
Mounting:	wall mounting or on in-wall flush box, Ø 55 mm, base with 4 holes, for attachment to vertically or horizontally installed in-wall flush boxes for rear cable entry, with predetermined breaking point for top/bottom cable entry for surface-mounted installation
Electrical connection:	0.14–1.5 mm², via screw terminals, only with safety extra-low voltage, max. 24 V DC
Process connection:	via screws
Permitted humidity:	max. 90 % RH, non-condensing air
Protection class:	III (according to EN 60 730)
Protection type:	IP 30 (according to EN 60 529)

RTF xx
Potentiometer / rotary switch
with angle of rotation limiter
(Fig. without rotary knob)



The standard **print** is a swelling arrow with centre position unfilled (1) optionally wedge-shaped and unfilled (2) or with marking points ±3K... +3K (3)

THERMASGARD® RTF xx Room temperature sensor Balduur 1 / Balduur 2

RTF xx various equipment versions see type tables

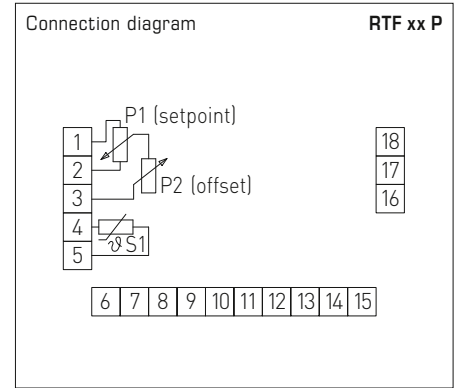
Please specify with special orders: **Ohm value** of potentiometer (standard is 1 kOhm; optionally 100 Ohm, 2.5 kOhm, 5 kOhm, 10 kOhm)
Swelling arrow type (standard print is filled with centre position; optionally wedge-shaped or with marking points -3K... +3K)
deviating **wiring requests** (available upon request)

Extra charge: **unique special print** – see "Accessories" chapter

Note: Unit versions with **active** potentiometer, see **RTMxx** – special versions available upon request



RTF xx P
(Baldur 1)
Version with sensor and
potentiometer (1 kOhm, max. 0.1 W)



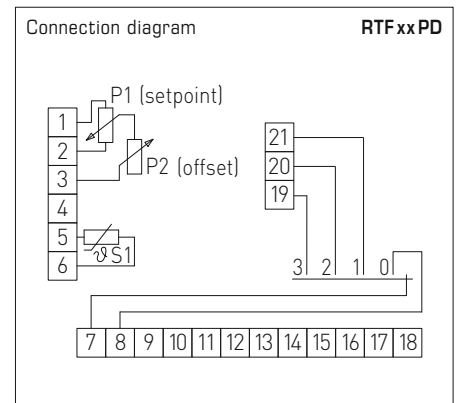
THERMASGARD® RTF xx P Room temperature sensor with potentiometer

Type/WG01	Sensor / Output	Display	Item No.	Price
RTF xx P			Baldur 1	
RTF Pt100 P	Pt100 (according to DIN EN 60 751, class B)		1101-40A0-1001-345	48,50 €
RTF Pt1000 P	Pt1000 (according to DIN EN 60 751, class B)		1101-40A0-5001-345	49,82 €
RTF Ni1000 P	Ni1000 (according to DIN EN 43 760, class B, TCR = 6180 ppm/K)		1101-40A0-9001-345	51,14 €
RTF NiTK P	Ni1000 TK5000 (TCR = 5000 ppm/K), LG-Ni1000		1101-40A1-0001-345	51,82 €
RTF LM235Z P	LM235Z (TCR = 10 mV/K; 2.73 V at 0 °C), KP10		1101-40A2-1001-345	49,82 €
RTF NTC1,8K P	NTC 1,8K		1101-40A1-2001-345	49,96 €
RTF NTC10K P	NTC 10K		1101-40A1-5001-345	48,50 €
RTF NTC20K P	NTC 20K		1101-40A1-6001-345	48,50 €

Note: Unit versions with active potentiometer, see **RTMxx**



RTF xx PD
(Baldur 2)
Version with sensor,
potentiometer (1 kOhm, max. 0.1 W) and
and turn switch (max. 24 V AC/DC, max. 130 mA)



THERMASGARD® RTF xx PD Room temperature sensor with potentiometer and rotary switch

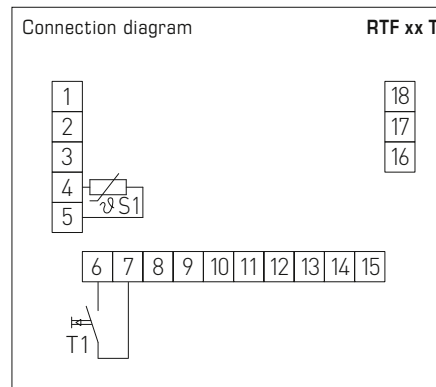
Type/WG01	Sensor / Output	Item No.	Price
RTF xx PD		Baldur 2	
RTF Pt100 P D4	Pt100 (according to DIN EN 60 751, class B)	1101-40B0-1007-349	54,95 €
RTF Pt1000 P D4	Pt1000 (according to DIN EN 60 751, class B)	1101-40B0-5007-349	56,97 €
RTF Ni1000 P D4	Ni1000 (according to DIN EN 43 760, class B, TCR = 6180 ppm/K)	1101-40B0-9007-349	57,29 €
RTF NiTK P D4	Ni1000 TK5000 (TCR = 5000 ppm/K), LG-Ni1000	1101-40B1-0007-349	59,67 €
RTF LM235Z P D4	LM235Z (TCR = 10 mV/K; 2.73 V at 0 °C), KP10	1101-40B2-1007-349	59,01 €
RTF NTC1,8K P D4	NTC 1,8K	1101-40B1-2007-349	59,12 €
RTF NTC10K P D4	NTC 10K	1101-40B1-5007-349	57,65 €
RTF NTC20K P D4	NTC 20K	1101-40B1-6007-349	57,65 €

Note: Special versions available upon request

Room temperature sensors /
room control unit in different versions,
on-wall, with passive output



RTF xx T
(Baldur 1)
Version with sensor and
push-button (max. 24 V DC, max. 10 mA)

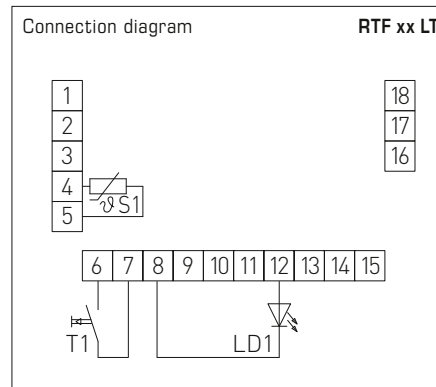


THERMASGARD® RTF xx T Room temperature sensor with push-button

Type /WG01	Sensor / Output	Item No.	Price
RTF xx T		Baldur 1	
RTF Pt100 T	Pt100 (according to DIN EN 60 751, class B)	1101-40A0-1617-000	45,89 €
RTF Pt1000 T	Pt1000 (according to DIN EN 60 751, class B)	1101-40A0-5617-000	45,89 €
RTF Ni1000 T	Ni1000 (according to DIN EN 43 760, class B, TCR = 6180 ppm / K)	1101-40A0-9617-000	47,73 €
RTF NiTK T	Ni1000 TK5000 (TCR = 5000 ppm / K), LG-Ni1000	1101-40A1-0617-000	48,91 €
RTF LM235Z T	LM235Z (TCR = 10 mV / K; 2.73 V at 0 °C), KP10	1101-40A2-1617-000	48,39 €
RTF NTC1,8K T	NTC 1,8K	1101-40A1-2617-000	48,66 €
RTF NTC10K T	NTC 10K	1101-40A1-5617-000	45,24 €
RTF NTC20K T	NTC 20K	1101-40A1-6617-000	45,24 €
Note:	Special versions available upon request		



RTF xx LT
(Baldur 1)
Version with sensor, LED (green) and
push-button (max. 24 V DC, max. 10 mA)



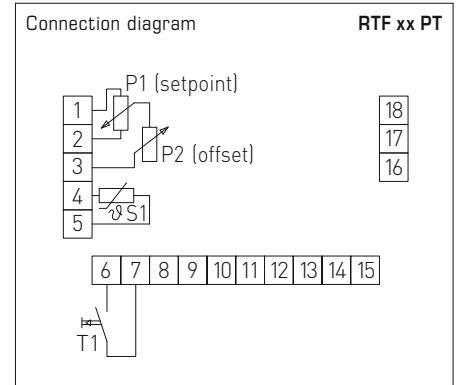
THERMASGARD® RTF xx LT Room temperature sensor with LED and push-button

Type /WG01	Sensor / Output	Item No.	Price
RTF xx LT		Baldur 1	
RTF Pt100 L T	Pt100 (according to DIN EN 60 751, class B)	1101-40A0-1593-002	48,50 €
RTF Pt1000 L T	Pt1000 (according to DIN EN 60 751, class B)	1101-40A0-5593-002	50,27 €
RTF Ni1000 L T	Ni1000 (according to DIN EN 43 760, class B, TCR = 6180 ppm / K)	1101-40A0-9593-002	50,62 €
RTF NiTK L T	Ni1000 TK5000 (TCR = 5000 ppm / K), LG-Ni1000	1101-40A1-0593-002	54,34 €
RTF LM235Z L T	LM235Z (TCR = 10 mV / K; 2.73 V at 0 °C), KP10	1101-40A2-1593-002	49,65 €
RTF NTC1,8K L T	NTC 1,8K	1101-40A1-2593-002	54,03 €
RTF NTC10K L T	NTC 10K	1101-40A1-5593-002	48,97 €
RTF NTC20K L T	NTC 20K	1101-40A1-6593-002	48,97 €
Note:	Special versions available upon request		



RTF xx PT
(Baldur 1)

Version with sensor,
potentiometer (1 kOhm, max. 0.1 W) and
push-button (max. 24 V DC, max. 10 mA)



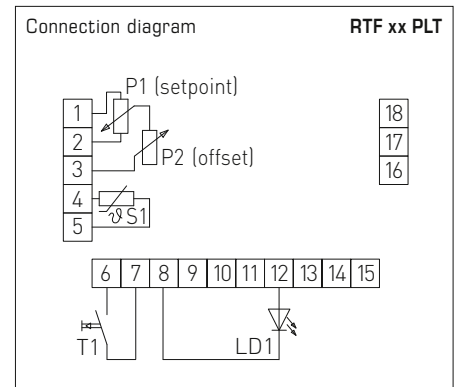
THERMASGARD® RTF xx PT Room temperature sensor with potentiometer and push-button

Type /WG01	Sensor /Output	Item No.	Price
RTF xx PT		Baldur 1	
RTF Pt100 P T	Pt100 (according to DIN EN 60 751, class B)	1101-40A0-1021-345	53,64 €
RTF Pt1000 P T	Pt1000 (according to DIN EN 60 751, class B)	1101-40A0-5021-345	55,67 €
RTF Ni1000 P T	Ni1000 (according to DIN EN 43 760, class B, TCR = 6180 ppm / K)	1101-40A0-9021-345	56,00 €
RTF NiTK P T	Ni1000 TK5000 (TCR = 5000 ppm / K), LG-Ni1000	1101-40A1-0021-345	58,36 €
RTF LM235Z P T	LM235Z (TCR = 10 mV / K; 2.73 V at 0 °C), KP10	1101-40A2-1021-345	57,70 €
RTF NTC1,8K P T	NTC 1,8K	1101-40A1-2021-345	57,81 €
RTF NTC10K P T	NTC 10K	1101-40A1-5021-345	56,32 €
RTF NTC20K P T	NTC 20K	1101-40A1-6021-345	56,32 €
Note:	Special versions available upon request		



RTF xx PLT
(Baldur 1)

Version with sensor,
potentiometer (1 kOhm, max. 0.1 W),
LED (green) and
push-button (max. 24 V DC, max. 10 mA)



THERMASGARD® RTF xx PLT Room temperature sensor with potentiometer, LED and push-button

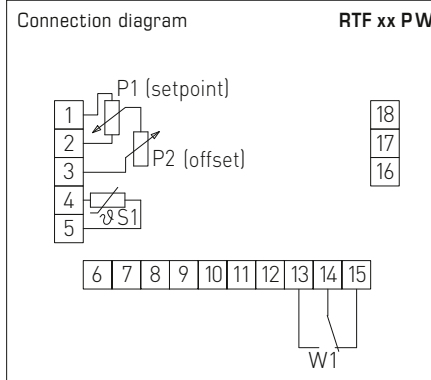
Type /WG01	Sensor /Output	Item No.	Price
RTF xx PLT		Baldur 1	
RTF Pt100 P L T	Pt100 (according to DIN EN 60 751, class B)	1101-40A0-1663-347	68,37 €
RTF Pt1000 P L T	Pt1000 (according to DIN EN 60 751, class B)	1101-40A0-5663-347	71,80 €
RTF Ni1000 P L T	Ni1000 (according to DIN EN 43 760, class B, TCR = 6180 ppm / K)	1101-40A0-9663-347	72,12 €
RTF NiTK P L T	Ni1000 TK5000 (TCR = 5000 ppm / K), LG-Ni1000	1101-40A1-0663-347	75,25 €
RTF LM235Z P L T	LM235Z (TCR = 10 mV / K; 2.73 V at 0 °C), KP10	1101-40A2-1663-347	70,42 €
RTF NTC1,8K P L T	NTC 1,8K	1101-40A1-2663-347	74,74 €
RTF NTC10K P L T	NTC 10K	1101-40A1-5663-347	68,37 €
RTF NTC20K P L T	NTC 20K	1101-40A1-6663-347	68,37 €
Note:	Special versions available upon request		

Room temperature sensors /
room control unit in different versions,
on-wall, with passive output



RTF xx PW
(Baldur 1)

Version with sensor,
potentiometer (1 kOhm, max. 0.1 W) and
rocker switch (max. 24 V AC/DC, max. 130 mA)



THERMASGARD® RTF xx PW Room temperature sensor with potentiometer and rocker switch

Type /WG01	Sensor /Output	Item No.	Price
RTF xx PW		Baldur 1	
RTF Pt100 P W	Pt100 (according to DIN EN 60751, class B)	1101-40A0-1061-348	54,43 €
RTF Pt1000 P W	Pt1000 (according to DIN EN 60751, class B)	1101-40A0-5061-348	56,38 €
RTF Ni1000 P W	Ni1000 (according to DIN EN 43760, class B, TCR = 6180 ppm/K)	1101-40A0-9061-348	56,92 €
RTF NiTK P W	Ni1000 TK5000 (TCR = 5000 ppm/K), LG-Ni1000	1101-40A1-0061-348	59,01 €
RTF LM235Z P W	LM235Z (TCR = 10 mV/K; 2.73 V at 0 °C), KP10	1101-40A2-1061-348	58,36 €
RTF NTC1,8K P W	NTC 1,8K	1101-40A1-2061-348	58,89 €
RTF NTC10K P W	NTC 10K	1101-40A1-5061-348	57,06 €
RTF NTC20K P W	NTC 20K	1101-40A1-6061-348	57,06 €
Note:	Special versions available upon request		



Operating elements Baldur 1	Possible combinations	1	2	3	4	5	6
Sensor 1		●	●	●	●	●	●
Sensor 2		●		●			
Sensor 3 LM235Z with calibrating pot (4-wire)		●			●	●	
Potentiometer 1 with/without series resistor		●	●	●	●		
Potentiometer 2 with calibrating pot						●	●
LED 1 (max. one LED)							
LED 2 (max. two LEDs)							
LED 3 (max. three LEDs)							
LED 4 (max. four LEDs)		●	●	●	●	●	●
Rocker switch			●	●			●
Push-button 1 (max. one button)		●		●		●	●
Push-button 2 (max. two buttons)			●	●			

Please specify in your order:

Ohm rating of potentiometer
(e. g. 100 Ohm, 1 kOhm, 2.5 kOhm, 5 kOhm, 10 kOhm)

Colour of LED
(e. g. green, red, yellow)

Printing, form of swelling arrow
(wedge-shaped or with central position, points or numerical scale)

Requested features regarding operating and/or display elements and wiring

We offer special designs on request in written form including approval drawing.

Special printing:
See last chapter "Accessories"

With 4-conductor-circuitry, Sensor 3 is used, thus a maximum of 3 LEDs is possible.
LM235Z with calibrating pot = calibration of sensor output signal.
Satchwell switching possible with sensor 2.
Turn switches are not possible with Baldur 1!

Operating elements Baldur 2	Possible combinations	1	2	3	4	5	6	7	8	9	10
Sensor 1		●	●	●	●	●	●	●	●	●	●
Sensor 2 LM235Z with calibrating pot		●						●			
Sensor 3 with heat sink (4-wire)											
Potentiometer 1 (at bottom) with/without series resistor		●	●		●		●	●	●		●
Potentiometer 2 (at top)			●						●		
Key switch (at bottom)				●						●	
Turn switch 1 (at top) with/without series resistor					●						●
Turn switch 2 (at bottom)						●					
LED 1 (max. one LED)											
LED 2 (max. two LEDs)											
LED 3 (max. three LEDs)			●						●		
LED 4 (max. four LEDs)					●						●
LED 5 (max. five LEDs)		●		●		●		●		●	
LED 6 (max. six LEDs)							●				
Rocker switch		●	●	●	●	●	●				
Push-button 1 (max. one button)											
Push-button 2 (max. two buttons)		●	●	●		●	●				●
Push-button 3 (max. three buttons)											
Push-button 4 (max. four buttons)								●	●	●	

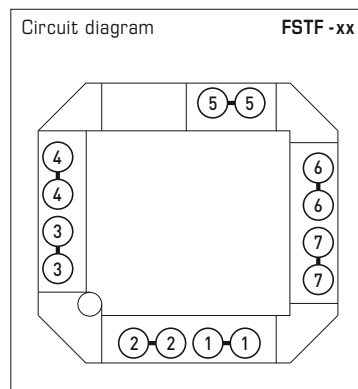
Sensor 3 can also be used instead of sensor 1.
LM235Z with calibrating pot = calibration of sensor output signal.
In the case cascade connections with turn switch 1, LEDs are not possible!
With the Baldur 2 housing, only one operating element is possible at each of the positions "[at bottom]" and "[at top]"!

Room temperature sensors
in-wall, panel switch programme,
general

A room temperature sensor **THERMASGARD® FSTF** is used for air temperature measurement or setpoint adjustment, for presence detection or as room control and operating panel with temperature sensor, push-buttons, potentiometers, status indicators (LEDs).

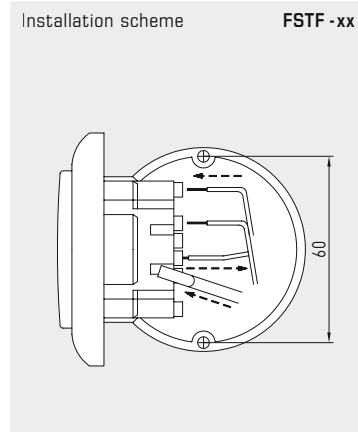
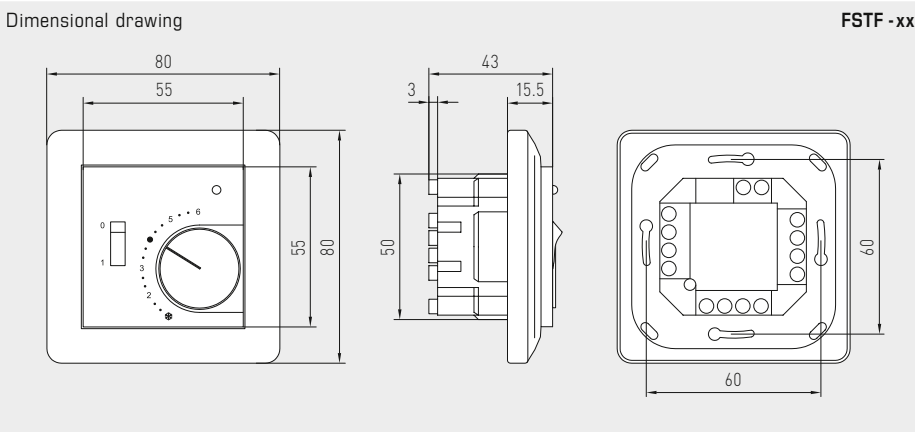
The in-wall sensor is mounted in high-quality panel switch programmes, ideally of the brands Gira, Berker, Merten, Jung, Siemens or Busch-Jaeger (using in-wall adapters) either individually or in combination with light switches, socket outlets, etc.

It is used in non-aggressive, dust-free environments, in refrigeration, air conditioning and clean room technology, and in interior rooms, such as living rooms, offices, hotels, etc.



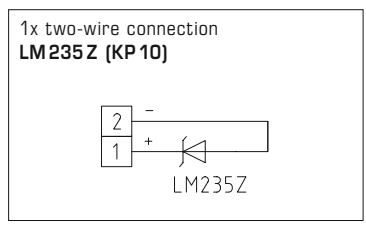
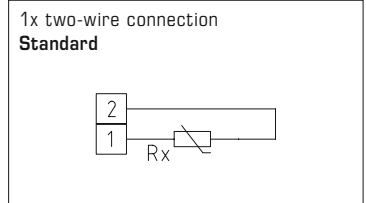
TECHNICAL DATA

Measuring ranges:	-30...+60 °C
Sensor / output:	see table, assembled on board, passive
Range suppression:	in the button
Testing current:	< 0.6 mA (Pt1000) < 1.0 mA (Pt100) < 0.3 mA (Ni1000, Ni1000 TK5000) < 2.0 mW (NTC xx) 400 µA...5 mA (LM235Z)
Potentiometers:	standard 1 kΩ, max. 0.1 W (other ratings optional on request, e. g. 100 Ω, 2.5 kΩ, 5 kΩ, 10 kΩ optional 0-10V linear)
Turn switches:	max. 24 V AC / DC, max. 130 mA, max. 5 steps (0, Auto, I, II, III)
Rocker switch:	max. 24 V AC / DC, max. 130 mA
Push-buttons:	normally open contact, max. 24 V DC / 10 mA
LEDs:	max. 24 V DC (optional max. 24 V AC), standard green (red, yellow or two-colour optional)
Installation:	in in-wall flush box Ø 55 mm
Electrical connection:	FSTF-1 via screw terminals 0.14 - 1.5 mm ² , FSTF-xx via plug terminals 1.0 - 2.5 mm ²
Humidity:	max. 90% RH, non-precipitating air
Protection class:	III (according to EN 60 730)
Protection type:	IP 20 (according to EN 60 529)
SWITCH PROGRAMMES	
Manufacturer:	GIRA System 55 Standard (other switch programmes, manufacturers, and prices upon request)
Housing:	plastic, colour pure white glossy (similar to RAL 9010) (other colours are possible on request with colour variants depending on the respective switch programme)

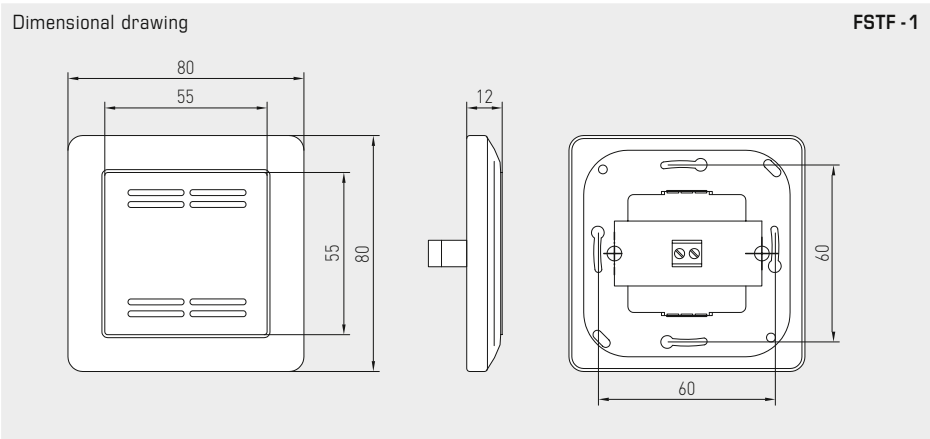




FSTF 1
Standard version
with sensor



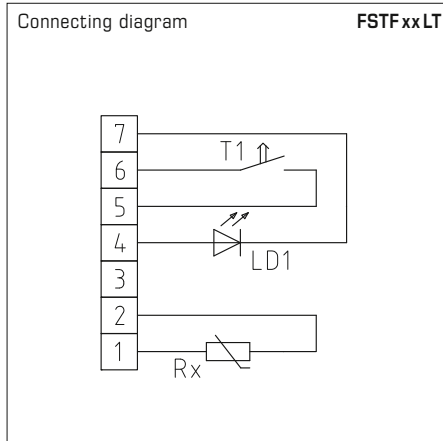
THERMASGARD® FSTF 1 Room temperature sensors			
Type / WG01	Sensor / Output	Item No.	Price
FSTF1	passive	IP20 (-30...+60 °C)	
FSTF1 Pt100	Pt100 (according to DIN EN 60 751, class B)	1101-5020-1000-162	52,31 €
FSTF1 Pt1000	Pt1000 (according to DIN EN 60 751, class B)	1101-5020-5000-162	52,31 €
FSTF1 Ni1000	Ni1000 (according to DIN EN 43 760, class B, TCR = 6180 ppm / K)	1101-5020-9000-162	53,88 €
FSTF1 NiTK	Ni1000 TK5000 (TCR = 5000 ppm / K), LG - Ni1000	1101-5021-0000-162	56,38 €
FSTF1 LM235Z	LM235Z (TCR = 10 mV / K; 2.73 V at 0 °C), KP10	1101-5022-1000-162	52,46 €
FSTF1 NTC1,8K	NTC 1.8K	1101-5021-2000-162	51,82 €
FSTF1 NTC10K	NTC 10K	1101-5021-5000-162	51,27 €
FSTF1 NTC20K	NTC 20K	1101-5021-6000-162	51,27 €



Room temperature sensors
in-wall, panel switch programme,
different versions



FSTFxxLT
Version with sensor,
LED (green), and push-button
(max. 24 V DC, max. 10 mA)

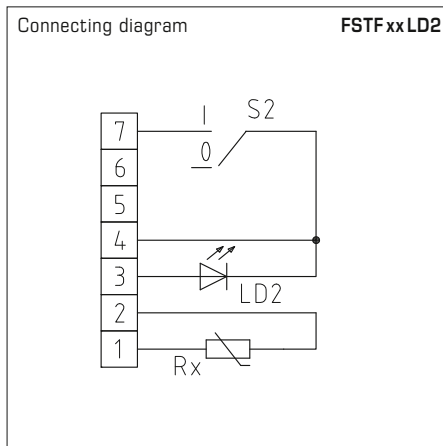


THERMASGARD® FSTFxxLT Room temperature sensors

Type/WG01	Sensor/Output	Item No.	Price
FSTFxxLT	passive	IP 20 (-30...+60 °C)	
FSTF Pt100 L T	Pt100 (according to DIN EN 60 751, class B)	1101-5020-1593-350	68,86 €
FSTF Pt1000 L T	Pt1000 (according to DIN EN 60 751, class B)	1101-5020-5593-350	68,86 €
FSTF Ni1000 L T	Ni1000 (according to DIN EN 43 760, class B, TCR = 6180 ppm/K)	1101-5020-9593-350	70,80 €
FSTF NiTK L T	Ni1000 TK5000 (TCR = 5000 ppm/K), LG-Ni1000	1101-5021-0593-350	70,80 €
FSTF LM235Z L T	LM235Z (TCR = 10 mV/K; 2.73 V at 0 °C), KP10	1101-5022-1593-350	69,49 €
FSTF NTC1,8K L T	NTC 1.8K	1101-5021-2593-350	68,86 €
FSTF NTC10K L T	NTC 10K	1101-5021-5593-350	68,19 €
FSTF NTC20K L T	NTC 20K	1101-5021-6593-350	68,19 €



FSTFxxLD2
Version with sensor,
LED (green), and turn switch (2-step)
(max. 24 V AC/DC, max. 130 mA)

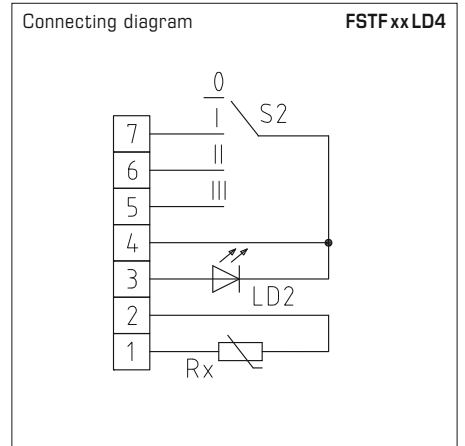


THERMASGARD® FSTFxxLD2 Room temperature sensors

Type/WG01	Sensor/Output	Item No.	Price
FSTFxxLD2	passive	IP 20 (-30...+60 °C)	
FSTF Pt100 D2 L	Pt100 (according to DIN EN 60 751, class B)	1101-5020-1631-351	78,80 €
FSTF Pt1000 D2 L	Pt1000 (according to DIN EN 60 751, class B)	1101-5020-5631-351	78,80 €
FSTF Ni1000 D2 L	Ni1000 (according to DIN EN 43 760, class B, TCR = 6180 ppm/K)	1101-5020-9631-351	81,29 €
FSTF NiTK D2 L	Ni1000 TK5000 (TCR = 5000 ppm/K), LG-Ni1000	1101-5021-0631-351	81,29 €
FSTF LM235Z D2 L	LM235Z (TCR = 10 mV/K; 2.73 V at 0 °C), KP10	1101-5022-1631-351	79,33 €
FSTF NTC1,8K D2 L	NTC 1.8K	1101-5021-2631-351	79,33 €
FSTF NTC10K D2 L	NTC 10K	1101-5021-5631-351	78,68 €
FSTF NTC20K D2 L	NTC 20K	1101-5021-6631-351	78,68 €



FSTFxxLD4
Version with sensor,
LED (green) and turn switch (4-step)
(max. 24 V AC / DC, max. 130 mA)

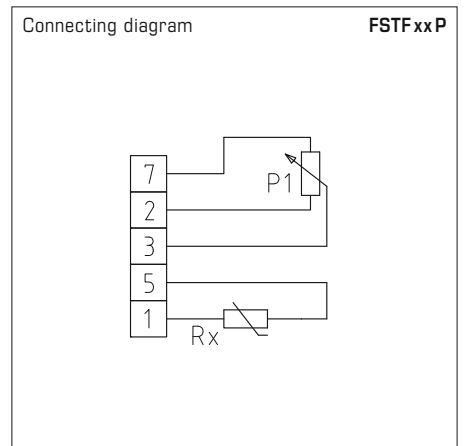


THERMASGARD® FSTFxxLD4 Room temperature sensors

Type / WG01	Sensor / Output	Item No.	Price
FSTFxxLD4	passive	IP20 (-30...+60 °C)	
FSTF Pt100 D4 L	Pt100 (according to DIN EN 60751, class B)	1101-5020-1643-352	81,97 €
FSTF Pt1000 D4 L	Pt1000 (according to DIN EN 60751, class B)	1101-5020-5643-352	81,97 €
FSTF Ni1000 D4 L	Ni1000 (according to DIN EN 43760, class B, TCR = 6180 ppm / K)	1101-5020-9643-352	83,92 €
FSTF NiTK D4 L	Ni1000 TK5000 (TCR = 5000 ppm / K), LG - Ni1000	1101-5021-0643-352	83,92 €
FSTF LM235Z D4 L	LM235Z (TCR = 10 mV / K; 2.73 V at 0 °C), KP10	1101-5022-1643-352	82,62 €
FSTF NTC1,8K D4 L	NTC 1.8K	1101-5021-2643-352	81,97 €
FSTF NTC10K D4 L	NTC 10K	1101-5021-5643-352	81,29 €
FSTF NTC20K D4 L	NTC 20K	1101-5021-6643-352	81,29 €



FSTFxxP
Version with sensor
and potentiometer
(1 kOhm, max. 0.1 W)



THERMASGARD® FSTFxxP Room temperature sensors

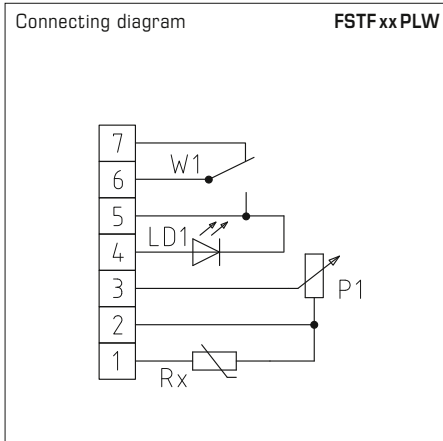
Type / WG01	Sensor / Output	Item No.	Price
FSTFxxP	passive	IP20 (-30...+60 °C)	
FSTF Pt100 P	Pt100 (according to DIN EN 60751, class B)	1101-5020-1001-282	84,57 €
FSTF Pt1000 P	Pt1000 (according to DIN EN 60751, class B)	1101-5020-5001-162	84,57 €
FSTF Ni1000 P	Ni1000 (according to DIN EN 43760, class B, TCR = 6180 ppm / K)	1101-5020-9001-162	85,38 €
FSTF NiTK P	Ni1000 TK5000 (TCR = 5000 ppm / K), LG - Ni1000	1101-5021-0001-162	88,25 €
FSTF LM235Z P	LM235Z (TCR = 10 mV / K; 2.73 V at 0 °C), KP10	1101-5022-1001-162	80,64 €
FSTF NTC1,8K P	NTC 1.8K	1101-5021-2001-162	81,97 €
FSTF NTC10K P	NTC 10K	1101-5021-5001-162	80,64 €
FSTF NTC20K P	NTC 20K	1101-5021-6001-162	80,64 €

Room temperature sensors
in-wall, panel switch programme,
different versions



FSTFxxPLW

Version with sensor,
potentiometer (1 kOhm, max. 0.1 W),
LED (green), and rocker switch
(max. 24 V AC/DC, max. 130 mA)



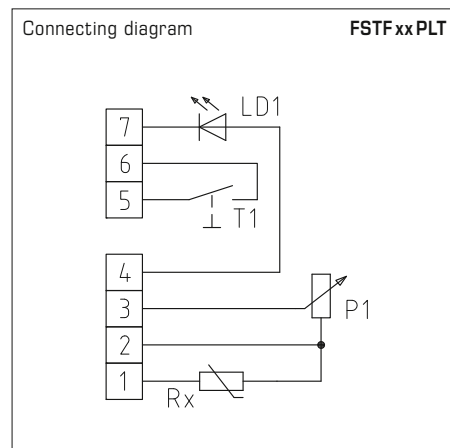
THERMASGARD® FSTF xx PLW Room temperature sensors

Type/WG01	Sensor/Output	Item No.	Price
FSTFxxPLW	passive	IP 20 (-30...+60 °C)	
FSTF Pt100 P L W	Pt100 (according to DIN EN 60 751, class B)	1101-5020-1655-353	107,33 €
FSTF Pt1000 P L W	Pt1000 (according to DIN EN 60 751, class B)	1101-5020-5655-353	110,02 €
FSTF Ni1000 P L W	Ni1000 (according to DIN EN 43 760, class B, TCR = 6180 ppm/K)	1101-5020-9655-353	110,67 €
FSTF NiTK P L W	Ni1000 TK5000 (TCR = 5000 ppm/K), LG-Ni1000	1101-5021-0655-353	113,34 €
FSTF LM235Z P L W	LM235Z (TCR = 10 mV/K; 2.73 V at 0 °C), KP10	1101-5022-1655-353	107,99 €
FSTF NTC1,8K P L W	NTC 1.8K	1101-5021-2655-353	113,89 €
FSTF NTC10K P L W	NTC 10K	1101-5021-5655-353	107,33 €
FSTF NTC20K P L W	NTC 20K	1101-5021-6655-353	107,33 €



FSTFxxPLT

Version with sensor,
potentiometer (1 kOhm, max. 0.1 W),
LED (green), and push-button
(max. 24 V DC, max. 10 mA)

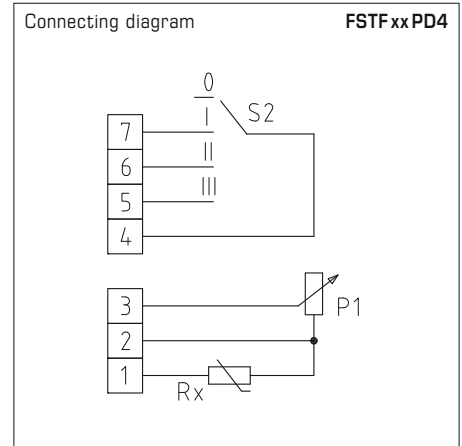


THERMASGARD® FSTF xx PLT Room temperature sensors

Type/WG01	Sensor/Output	Item No.	Price
FSTFxxPLT	passive	IP 20 (-30...+60 °C)	
FSTF Pt100 P L T	Pt100 (according to DIN EN 60 751, class B)	1101-5020-1663-162	107,26 €
FSTF Pt1000 P L T	Pt1000 (according to DIN EN 60 751, class B)	1101-5020-5663-162	109,95 €
FSTF Ni1000 P L T	Ni1000 (according to DIN EN 43 760, class B, TCR = 6180 ppm/K)	1101-5020-9663-350	110,60 €
FSTF NiTK P L T	Ni1000 TK5000 (TCR = 5000 ppm/K), LG-Ni1000	1101-5021-0663-350	113,29 €
FSTF LM235Z P L T	LM235Z (TCR = 10 mV/K; 2.73 V at 0 °C), KP10	1101-5022-1663-350	107,91 €
FSTF NTC1,8K P L T	NTC 1.8K	1101-5021-2663-350	113,82 €
FSTF NTC10K P L T	NTC 10K	1101-5021-5663-350	107,26 €
FSTF NTC20K P L T	NTC 20K	1101-5021-6663-350	107,26 €



FSTF xx PD4
Version with sensor,
potentiometer (1 kOhm, max. 0.1 W)
and turn switch
(max. 24 V AC / DC, max. 130 mA)

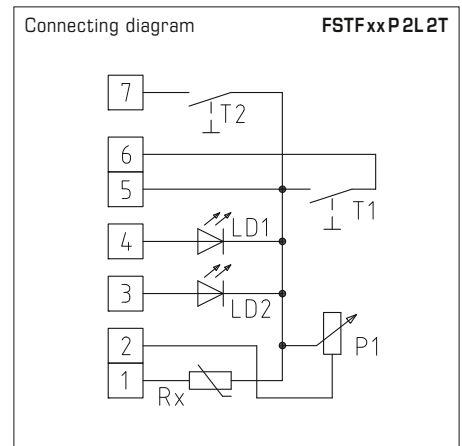


THERMASGARD® FSTF xx PD4 Room temperature sensors

Type / WG01	Sensor / Output	Item No.	Price
FSTF xx PD4	passive	IP20 (-30...+60 °C)	
FSTF Pt100 P D4	Pt100 (according to DIN EN 60751, class B)	1101-5020-1007-354	110,61 €
FSTF Pt1000 P D4	Pt1000 (according to DIN EN 60751, class B)	1101-5020-5007-354	113,30 €
FSTF Ni1000 P D4	Ni1000 (according to DIN EN 43760, class B, TCR = 6180 ppm / K)	1101-5020-9007-354	113,97 €
FSTF NiTK P D4	Ni1000 TK5000 (TCR = 5000 ppm / K), LG-Ni1000	1101-5021-0007-354	116,66 €
FSTF LM235Z P D4	LM235Z (TCR = 10 mV / K; 2.73 V at 0 °C), KP10	1101-5022-1007-354	110,61 €
FSTF NTC1,8K P D4	NTC 1.8K	1101-5021-2007-354	112,61 €
FSTF NTC10K P D4	NTC 10K	1101-5021-5007-354	109,95 €
FSTF NTC20K P D4	NTC 20K	1101-5021-6007-354	109,95 €



FSTF xx P 2L 2T
Version with sensor,
potentiometer (1 kOhm, max. 0.1 W),
2 LEDs (green, red), and 2 push-buttons (max.
24 V DC, max. 10 mA)

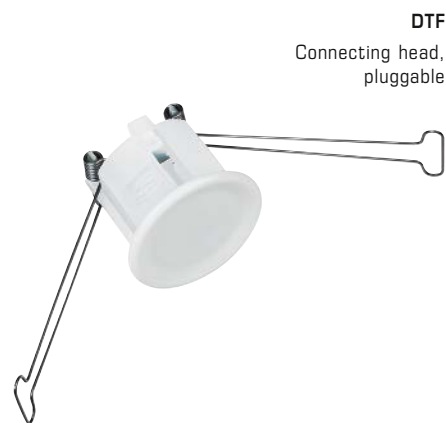


THERMASGARD® FSTF xx P 2L 2T Room temperature sensors

Type / WG01	Sensor / Output	Item No.	Price
FSTF xx P 2L 2T	passive	IP20 (-30...+60 °C)	
FSTF Pt100 P 2L 2T	Pt100 (according to DIN EN 60751, class B)	1101-5020-1672-256	113,29 €
FSTF Pt1000 P 2L 2T	Pt1000 (according to DIN EN 60751, class B)	1101-5020-5672-256	116,96 €
FSTF Ni1000 P 2L 2T	Ni1000 (according to DIN EN 43760, class B, TCR = 6180 ppm / K)	1101-5020-9672-256	120,76 €
FSTF NiTK P 2L 2T	Ni1000 TK5000 (TCR = 5000 ppm / K), LG-Ni1000	1101-5021-0672-256	122,99 €
FSTF LM235Z P 2L 2T	LM235Z (TCR = 10 mV / K; 2.73 V at 0 °C), KP10	1101-5022-1672-256	115,92 €
FSTF NTC1,8K P 2L 2T	NTC 1.8K	1101-5021-2672-256	119,60 €
FSTF NTC10K P 2L 2T	NTC 10K	1101-5021-5672-256	113,82 €
FSTF NTC20K P 2L 2T	NTC 20K	1101-5021-6672-256	113,82 €

**In-ceiling temperature sensors
with passive output**

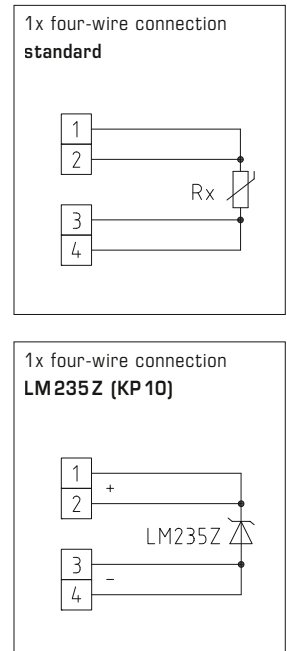
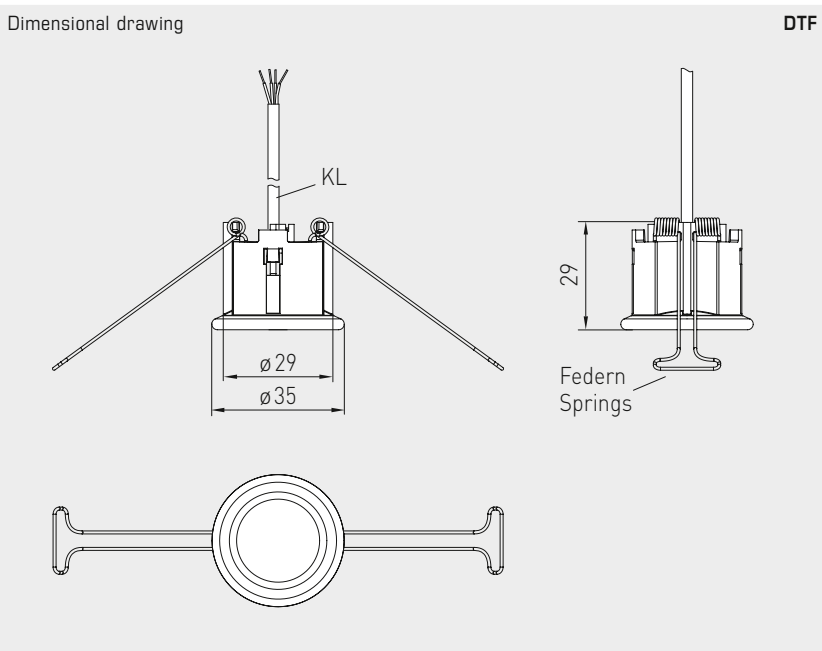
THERMASGARD® DTF is a small in-ceiling resistance thermometer with passive output for in-wall installation, e.g. in plasterboard walls or suspended ceilings. The in-ceiling temperature sensor DTF is preferably installed in ceilings and walls, blends in seamlessly with the overall architectural design and detects the temperature at the surface. The connecting head is pluggable for quick, easy mounting.



DTF
Connecting head,
pluggable

TECHNICAL DATA

Measuring range:	-20...+90 °C
Sensors / output:	see table, passive
Connection type:	4-wire connection terminal 1 / 2: + (marked red, wire colours: yellow, brown) terminal 3 / 4: - (marked black, wire colours: white, green)
Testing current:	< 0.6 mA (Pt1000) < 1.0 mA (Pt100) < 0.3 mA (Ni1000, Ni1000 TK5000) < 2.0 mW (NTC xx) 400 µA...5 mA (LM235Z)
Connecting head:	plastic, material polycarbonate (PC), colour white (can be painted as an option), pluggable
Connecting cable:	PVC, LiYY, 4 x 0.14 mm ² , KL = approx. 2 m
Process connection:	inside suspended ceiling, ceiling cutout Ø = 30 mm, cover Ø = < 35 mm
Insulating resistance:	≥ 100 MΩ, at +20 °C (500V DC)
Humidity:	< 95 % RH, non-precipitating air
Protection class:	III (according to EN 60 730)
Protection type:	IP 30 (according EN 60 529) Sensor in the built-in state





DTF



THERMASGARD® DTF		In-ceiling temperature sensors	
Type / WG03	Sensor / Output	Item No.	Price
DTF		IP30	
DTF Pt100	Pt100 (according to DIN EN 60 751, class B)	1101-60C0-1003-000	41,96 €
DTF Pt1000	Pt1000 (according to DIN EN 60 751, class B)	1101-60C0-5003-000	41,96 €
DTF Ni1000	Ni1000 (according to DIN EN 43760, class B, TCR = 6180 ppm / K)	1101-60C0-9003-000	41,69 €
DTF NiTK	Ni1000 TK5000 (TCR = 5000 ppm / K), LG-Ni1000	1101-60C1-0003-000	45,78 €
DTF LM235Z	LM235Z (TCR = 10 mV / K; 2.73 V at 0 °C), KP10	1101-60C2-1003-000	42,94 €
DTF NTC1,8K	NTC 1.8K	1101-60C1-2003-000	42,94 €
DTF NTC10K	NTC 10K	1101-60C1-5003-000	42,94 €
DTF NTC20K	NTC 20K	1101-60C1-6003-000	42,94 €
Note:	Other sensors optional	on request	

**Outside temperature sensors / wet room temperature sensors
with passive output**

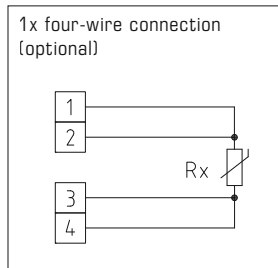
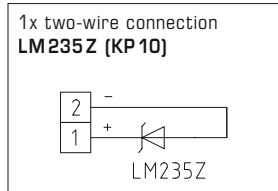
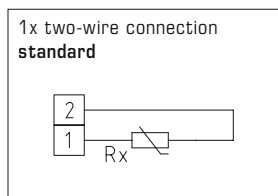
Outside wall resistance thermometer / weather sensor **THERMASGARD® ATF 1** (internal sensor) with passive output, housing made of impact-resistant plastic and quick-locking screws.

Outside wall resistance thermometer / weather sensor **THERMASGARD® ATF 01** (internal sensor) with passive output, housing made of impact-resistant plastic and snap-on lid.

It is used to measure outside temperatures, temperatures in wet room areas, e.g. as an outdoor sensor, weather sensor for installation on outside walls, in cold storage buildings and greenhouses, in halls, in the industrial sector and in agriculture. Installation in outdoor areas preferably at the north side of a building or in a protected place. In cases of direct solar irradiation, we recommend the use of our **WS01** or **WS04** sun protection hood (accessory).

TECHNICAL DATA

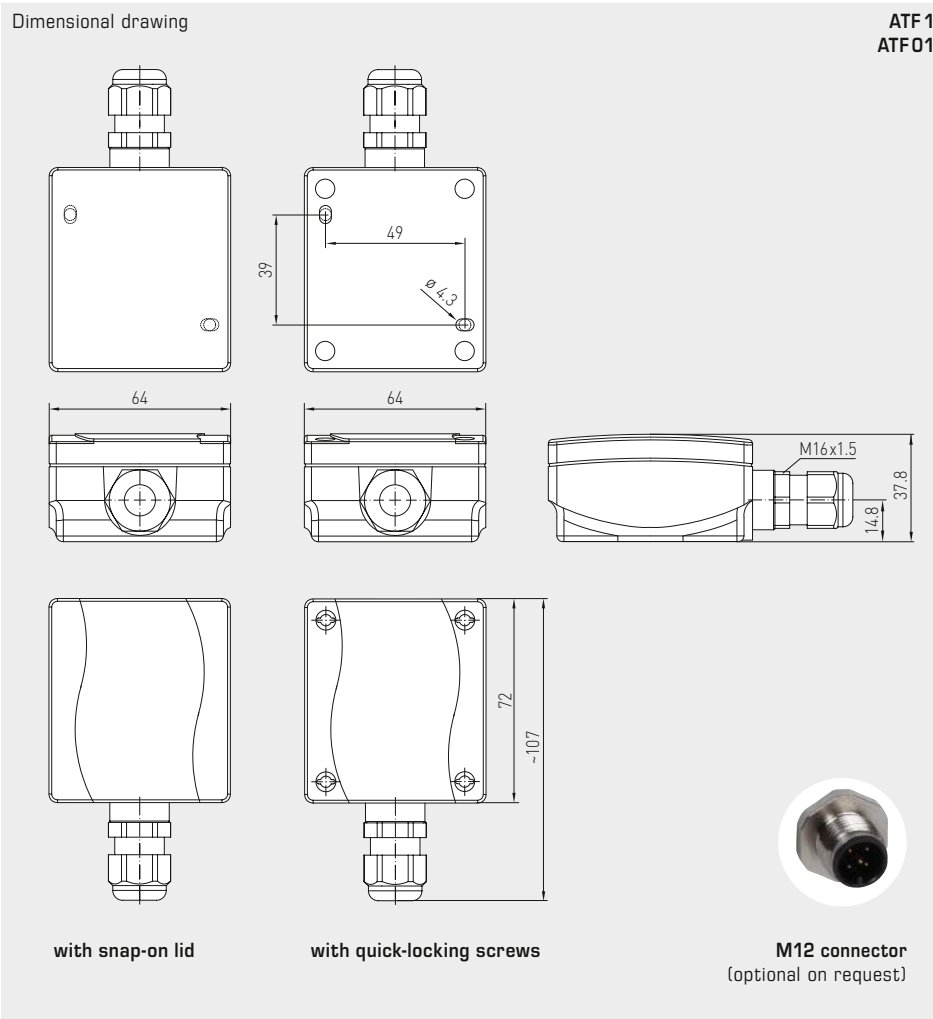
Measuring range:	-50...+90 °C
Sensors / output:	passive (see table), sensors internal
Connection type:	2-wire connection (4-wire connection on PT100/PT1000A, optional on other sensors)
Testing current:	< 0.6 mA (Pt1000) < 1.0 mA (Pt100) < 0.3 mA (Ni1000, Ni1000 TK5000) < 2.0 mW (NTC xx) 400 µA...5 mA (LM235Z)
Housing:	plastic, UV-resistant, material polyamide, 30% glass-globe reinforced, colour traffic white (similar to RAL 9016), ATF01 with snap-on lid, ATF1 with quick-locking screws (slotted / Phillips head combination)
Housing dimensions:	72 x 64 x 37.8 mm (Tyr 1 / Tyr 01)
Cable connection:	cable gland , plastic (M 16 x 1.5; with strain relief, exchangeable, max. inner diameter 10.4 mm) or M12 connector according to DIN EN 61076-2-101
Electrical connection:	0.14 - 1.5 mm ² , via terminal screws
Insulating resistance:	≥ 100 MΩ, at +20 °C (500 V DC)
Humidity:	< 95 % RH, non-precipitating air
Protection class:	III (according to EN 60 730)
Protection type:	ATF01 IP 54 (according to EN 60 529) Housing tested, TÜV SÜD, Report No. 713160960A (Tyr 01) ATF1 IP 67 (according to EN 60 529) Housing tested, TÜV SÜD, Report No. 713139052 (Tyr 1)



THERMASGARD® ATF 01 Outside temperature sensors / wet room temperature sensors, *Standard* with snap-on lid

Type / WG03	Sensor / Output	Item No.	Price
ATF 01		IP 54	
ATF01 Pt100	Pt100 (according to DIN EN 60 751, class B)	1101-1030-1003-000	15,75 €
ATF01 Pt1000	Pt1000 (according to DIN EN 60 751, class B)	1101-1030-5001-000	18,44 €
ATF01 Ni1000	Ni1000 (according to DIN EN 43 760, class B, TCR = 6180 ppm / K)	1101-1030-9001-000	19,26 €
ATF01 NiTK	Ni1000 TK5000 (TCR = 5000 ppm / K), LG-Ni1000	1101-1031-0001-000	22,35 €
ATF01 LM235Z	LM235Z (TCR = 10 mV / K; 2.73 V at 0 °C), KP10	1101-1032-1001-000	16,23 €
ATF01 NTC1,8K	NTC 1.8K	1101-1031-2001-000	14,96 €
ATF01 NTC10K	NTC 10K	1101-1031-5001-000	14,96 €
ATF01 NTC20K	NTC 20K	1101-1031-6001-000	14,96 €
Extra charge:	Other sensors optional Cable connection with M12 connector according to DIN EN 61076-2-101		on request on request
ACCESSORIES			
WS-01	Sun and ball-impact protection hood , 184 x 180 x 80 mm, stainless steel V2A (1.4301)	7100-0040-2000-000	32,72 €
WS-04	Weather and sun protection hood , 130 x 180 x 135 mm, stainless steel V2A (1.4301)	7100-0040-7000-000	38,61 €

For further information see last chapter!



ATF 01
with snap-on lid
(IP54)



ATF 1
with quick-locking screws
(IP67)



THERMASGARD® ATF 1 Outside temperature sensors / wet room temperature sensors, *Premium*
with quick-locking screws

Type / WG03	Sensor / Output	Item No.	Price
ATF 1		IP67	
ATF1 Pt100	Pt100 (according to DIN EN 60 751, class B)	1101-1040-1003-000	18,20 €
ATF1 Pt1000	Pt1000 (according to DIN EN 60 751, class B)	1101-1040-5001-000	20,89 €
ATF1 Pt1000A	Pt1000 (according to VDI / VDE 3512, class A-TGA)	1101-1040-6003-000	24,42 €
ATF1 Ni1000	Ni1000 (according to DIN EN 43 760, class B, TCR = 6180 ppm / K)	1101-1040-9001-000	20,39 €
ATF1 NiTK	Ni1000 TK5000 (TCR = 5000 ppm / K), LG - Ni1000	1101-1041-0001-000	24,80 €
ATF1 LM235Z	LM235Z (TCR = 10 mV / K; 2.73 V at 0 °C), KP10	1101-1042-1001-000	18,67 €
ATF1 NTC1,8K	NTC 1.8K	1101-1041-2001-000	16,61 €
ATF1 NTC10K	NTC 10K	1101-1041-5001-000	16,61 €
ATF1 NTC20K	NTC 20K	1101-1041-6001-000	16,61 €
Extra charge::	Other sensors optional Cable connection with M12 connector according to DIN EN 61076-2-101	on request on request	
ACCESSORIES			
WS-01	Sun and ball-impact protection hood , 184 x 180 x 80 mm, stainless steel V2A (1.4301)	7100-0040-2000-000	32,72 €
WS-04	Weather and sun protection hood , 130 x 180 x 135 mm, stainless steel V2A (1.4301)	7100-0040-7000-000	38,61 €

For further information see last chapter!

**Outside temperature sensors / wet room temperature sensors
with passive output**

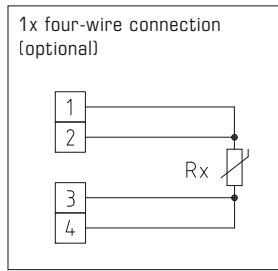
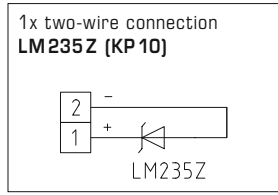
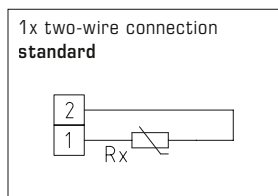
Outside wall resistance thermometers / weather sensors **THERMASGARD® ATF 2** (external sensor) with passive output and housing made of impact-resistant plastic and with quick-locking screws.

It is used to measure outside temperatures, temperatures in wet room areas, e.g. as a weather sensor, for installation on outside walls, in cold storage buildings and greenhouses, in halls, in the industrial sector and in agriculture. Outdoor installation should preferably be performed at the north side of a building or in a protected place.

In cases of direct solar irradiation, we recommend the use of our **WS01** or **WS04** sun protection hood (accessory) or the device version with installed sun protection hood **SS02** (available upon request).

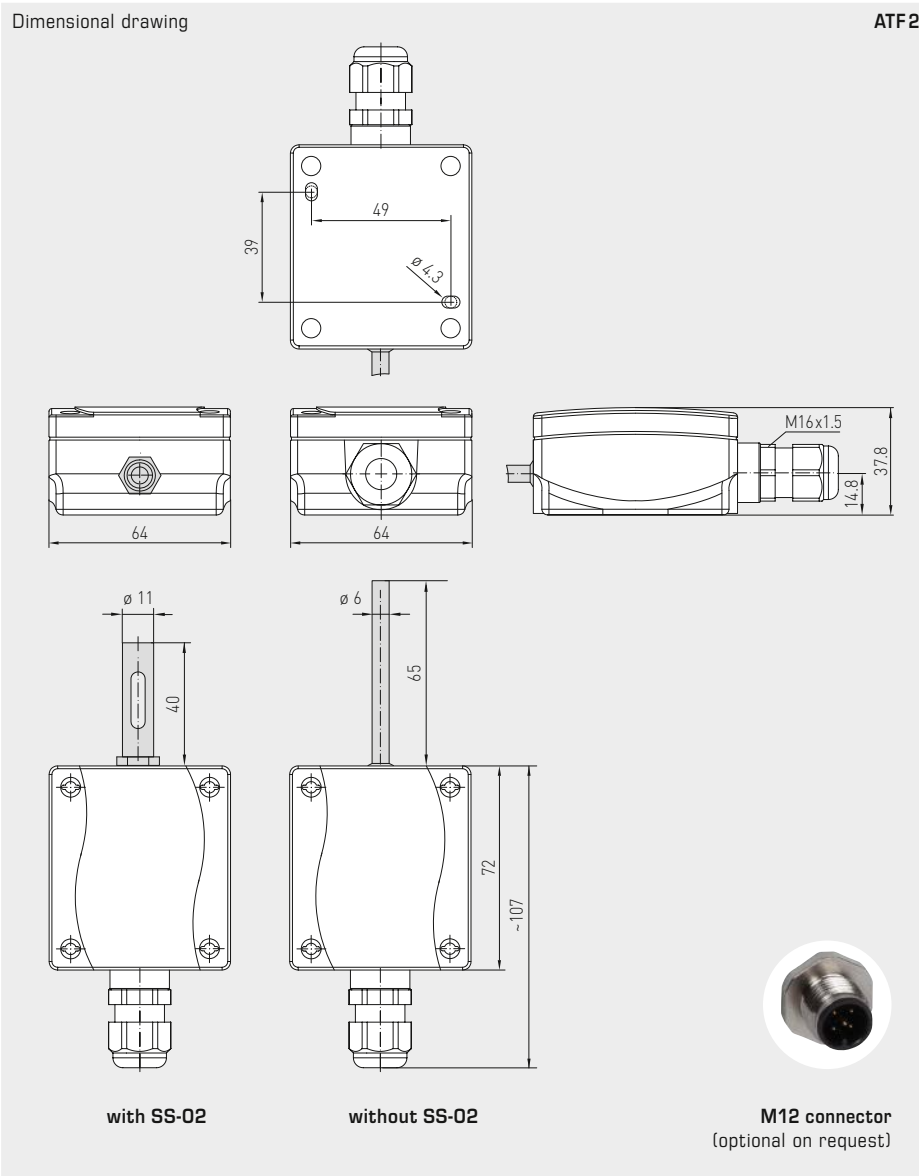
TECHNICAL DATA

Measuring range:	-50...+90 °C
Sensors / output:	passive (see table), sensor inside external sensor tube, stainless steel V4A (1.4571) (Perfect Sensor Protection)
Connection type:	2-wire connection (4-wire connection on PT100/PT1000A, optional on other sensors)
Testing current:	< 0.6 mA (Pt1000) < 1.0 mA (Pt100) < 0.3 mA (Ni1000, Ni1000 TK5000) < 2.0 mW (NTC xx) 400 µA...5 mA (LM235Z)
Housing:	plastic, UV-resistant, material polyamide, 30% glass-globe reinforced, with quick-locking screws (slotted / Phillips head combination), colour traffic white (similar to RAL 9016)
Housing dimensions:	72 x 64 x 37.8 mm (Tyr 1)
Cable connection:	cable gland , plastic (M 16 x 1.5; with strain relief, exchangeable, max. inner diameter 10.4 mm) or M12 connector according to DIN EN 61076-2-101
Electrical connection:	0.14 - 1.5 mm ² via terminal screws
Insulating resistance:	≥ 100 MΩ, at +20 °C (500 V DC)
Permissible humidity:	< 95% RH, non-precipitating air
Protection class:	III (according to EN 60 730)
Protection type:	IP65 (according to EN 60 529) Housing tested, TÜV SÜD, Report No. 713139052 (Tyr 1)
Optional:	with sun protection hood SS02 (available on request)



High-performance encapsulation against vibration, mechanical stress and humidity





THERMASGARD® ATF 2 Outside temperature sensors / wet room temperature sensors			
Type / WG03	Sensor / Output	Item No.	Price
ATF 2			
ATF2 Pt100	Pt100 (according to DIN EN 60 751, class B)	1101-1050-1003-000	39,70 €
ATF2 Pt1000	Pt1000 (according to DIN EN 60 751, class B)	1101-1050-5001-000	39,70 €
ATF2 Pt1000A	Pt1000 (according to VDI / VDE 3512, class A-TGA)	1101-1050-6003-000	49,30 €
ATF2 Ni1000	Ni1000 (according to DIN EN 43 760, class B, TCR = 6180 ppm / K)	1101-1050-9001-000	42,01 €
ATF2 NiTK	Ni1000 TK5000 (TCR = 5000 ppm / K), LG-Ni1000	1101-1051-0001-000	42,01 €
ATF2 LM235Z	LM235Z (TCR = 10 mV / K; 2.73 V at 0 °C), KP10	1101-1052-1001-000	39,09 €
ATF2 NTC1,8K	NTC 1.8K	1101-1051-2001-000	38,29 €
ATF2 NTC10K	NTC 10K	1101-1051-5001-000	38,29 €
ATF2 NTC20K	NTC 20K	1101-1051-6001-000	38,29 €
Extra charge:	Other sensors optional	on request	
	with sun protection hood SS02	on request	10,03 €
	Cable connection with M12 connector according to DIN EN 61076-2-101	on request	
ACCESSORIES			
WS-01	Sun and ball-impact protection hood , 184 x 180 x 80 mm, stainless steel V2A (1.4301)	7100-0040-2000-000	32,72 €
WS-04	Weather and sun protection hood , 130 x 180 x 135 mm, stainless steel V2A (1.4301)	7100-0040-7000-000	38,61 €

For further information see last chapter!

**Immersion / screw-in / duct temperature sensors
with passive output**

Patented quality product (Immersion sensor patent no. DE 10 2012 017 500.0)

THERMASGARD® TF 43 is a resistance thermometer with a passive output, housing made from impact-resistant plastic with snap-on lid, and straight protective tube.

THERMASGARD® TF 65 is a resistance thermometer with a passive output, housing made from impact-resistant plastic with quick-locking screws, and straight protective tube.

These immersion / screw-in / duct temperature sensors are electric contact thermometers for temperature measurement in liquids and gases, which are installed for example in piping systems and vessels. For aggressive media, stainless steel immersion sleeves must be used.

Applications of these temperature sensors in piping systems, in heating technology, in storage tanks, in district heating compact stations, in hot and cold-water systems, in oil and lubricant circulation systems, in mechanical, apparatus and plant engineering as well as in the entire industrial sector.

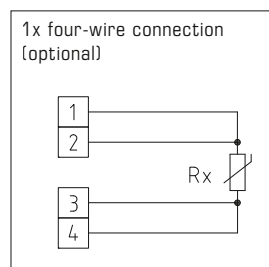
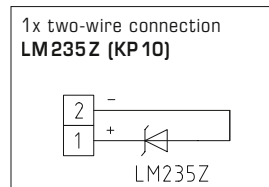
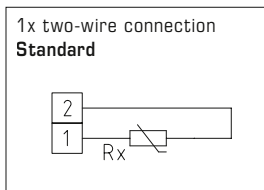
TECHNICAL DATA

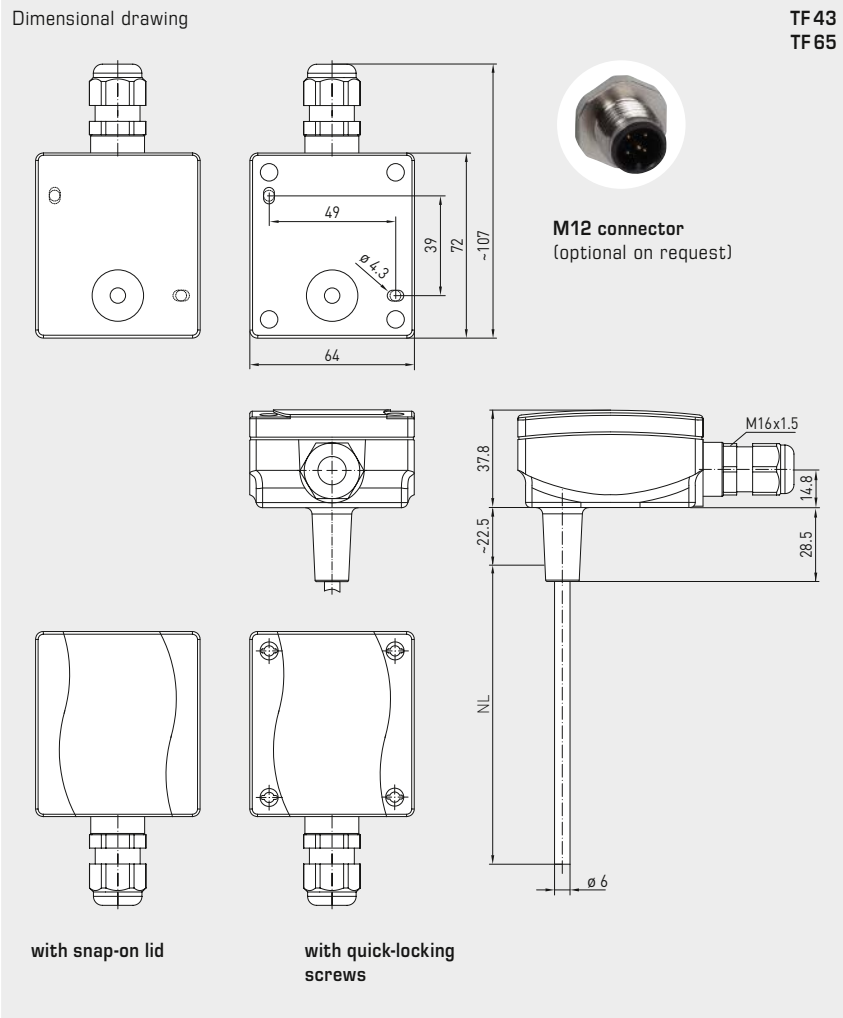
Measuring range:	-30...+150 °C (T_{max} NTC = +150 °C, T_{max} LM235Z = +125 °C)
Sensors / output:	see table, passive (Perfect Sensor Protection) (optional also with two sensors)
Connection type:	2-wire connection (4-wire connection on PT100/PT1000A, optional on other sensors)
Testing current:	< 0.6 mA (Pt1000) < 1.0 mA (Pt100) < 0.3 mA (Ni1000, Ni1000 TK5000) < 2.0 mW (NTC xx) 400 µA...5 mA (LM235Z)
Insulating resistance:	≥ 100 MΩ, at +20 °C (500 V DC)
Ambient temperature:	-20...+100 °C
Housing:	plastic, UV-resistant, material polyamide, 30% glass-globe reinforced, colour traffic white (similar to RAL 9016) TF 43 with snap-on lid TF 65 with quick-locking screws (slotted / Phillips head combination)
Housing dimensions:	72 x 64 x 37.8 mm (Tyr 1 / Tyr 01)
Cable connection:	cable gland , plastic (M 16 x 1.5; with strain relief, exchangeable, max. inner diameter 10.4 mm) or M12 connector according to DIN EN 61076-2-101 (optional on request)
Electrical connection:	0.14 - 1.5 mm ² , via terminal screws
Protective tube:	stainless steel, V4A (1.4571), Ø = 6 mm, inserted length (EL) = 50 - 400 mm (see table)
Permissible humidity:	< 95% RH, non-precipitating air
Protection class:	III (according to EN 60 730)
Protection type:	TF 43 IP 54 (according to EN 60 529)* Housing tested, TÜV SÜD, Report No. 713160960A (Tyr 01) TF 65 IP 67 (according to EN 60 529)* Housing tested, TÜV SÜD, Report No. 713139052 (Tyr 1) * Housing in the built-in state

ACCESSORIES

MF-15-K	Mounting flange , plastic, 56.8 x 84.3 mm, Ø = 15.2 mm tube gland, T_{max} = +100 °C
TH08-ms/xx	Immersion sleeve, brass, nickel-plated / galvanised Ø = 8 mm, T_{max} = +150 °C, p_{max} = 10 bar
TH08-VA/xx	Immersion sleeve, stainless steel, V4A (1.4571), Ø = 8 mm, T_{max} = +600 °C, p_{max} = 40 bar
TH08-VA/xx/90	Immersion sleeve, stainless steel, V4A (1.4571), with neck tube (90 mm), Ø = 8 mm, T_{max} = +600 °C, p_{max} = 40 bar

High-performance encapsulation against
vibration, mechanical stress and humidity





TF 43
with snap-on lid
(IP54)



TF 65
with quick-locking screws
(IP67)



PATENTED



TFxx
Basic device
with accessories

THERMASGARD® TF 65 Temperature sensors (Basic device with quick-locking screws), *Premium*

Type / WG03 / EL	Sensor / Output	Item No.	Price
TF65 PT100 xx	Pt100	IP 67	
TF65 Pt100 50mm	Pt100 (according to DIN EN 60 751, class B)	1101-7020-1013-000	38,95 €
TF65 Pt100 100mm	Pt100 (according to DIN EN 60 751, class B)	1101-7020-1023-000	40,54 €
TF65 Pt100 150mm	Pt100 (according to DIN EN 60 751, class B)	1101-7020-1033-000	42,14 €
TF65 Pt100 200mm	Pt100 (according to DIN EN 60 751, class B)	1101-7020-1043-000	42,76 €
TF65 Pt100 250mm	Pt100 (according to DIN EN 60 751, class B)	1101-7020-1053-000	44,70 €
TF65 Pt100 300mm	Pt100 (according to DIN EN 60 751, class B)	1101-7020-1063-000	46,16 €
TF65 Pt100 350mm	Pt100 (according to DIN EN 60 751, class B)	1101-7020-1073-000	47,01 €
TF65 Pt100 400mm	Pt100 (according to DIN EN 60 751, class B)	1101-7020-1083-000	48,13 €
TF65 PT1000 xx	Pt1000	IP 67	
TF65 Pt1000 50mm	Pt1000 (according to DIN EN 60 751, class B)	1101-7020-5011-000	41,64 €
TF65 Pt1000 100mm	Pt1000 (according to DIN EN 60 751, class B)	1101-7020-5021-000	43,24 €
TF65 Pt1000 150mm	Pt1000 (according to DIN EN 60 751, class B)	1101-7020-5031-000	44,82 €
TF65 Pt1000 200mm	Pt1000 (according to DIN EN 60 751, class B)	1101-7020-5041-000	45,42 €
TF65 Pt1000 250mm	Pt1000 (according to DIN EN 60 751, class B)	1101-7020-5051-000	47,39 €
TF65 Pt1000 300mm	Pt1000 (according to DIN EN 60 751, class B)	1101-7020-5061-000	48,85 €
TF65 Pt1000 350mm	Pt1000 (according to DIN EN 60 751, class B)	1101-7020-5071-000	49,46 €
TF65 Pt1000 400mm	Pt1000 (according to DIN EN 60 751, class B)	1101-7020-5081-000	50,32 €
TF65 PT1000A xx	Pt1000A	IP 67	
TF65 Pt1000A 50mm	Pt1000 (according to VDI / VDE 3512, class A-TGA)	1101-7020-6013-000	43,64 €
TF65 Pt1000A 100mm	Pt1000 (according to VDI / VDE 3512, class A-TGA)	1101-7020-6023-000	44,34 €
TF65 Pt1000A 150mm	Pt1000 (according to VDI / VDE 3512, class A-TGA)	1101-7020-6033-000	46,66 €
TF65 Pt1000A 200mm	Pt1000 (according to VDI / VDE 3512, class A-TGA)	1101-7020-6043-000	47,27 €
TF65 Pt1000A 250mm	Pt1000 (according to VDI / VDE 3512, class A-TGA)	1101-7020-6053-000	49,22 €
TF65 Pt1000A 300mm	Pt1000 (according to VDI / VDE 3512, class A-TGA)	1101-7020-6063-000	50,80 €
TF65 Pt1000A 350mm	Pt1000 (according to VDI / VDE 3512, class A-TGA)	1101-7020-6073-000	52,39 €
TF65 Pt1000A 400mm	Pt1000 (according to VDI / VDE 3512, class A-TGA)	1101-7020-6083-000	52,62 €
TF65 Ni1000 xx	Ni 1000	IP 67	
TF65 Ni1000 50mm	Ni1000 (according to DIN EN 43 760, class B, TCR = 6180 ppm / K)	1101-7020-9011-000	40,91 €
TF65 Ni1000 100mm	Ni1000 (according to DIN EN 43 760, class B, TCR = 6180 ppm / K)	1101-7020-9021-000	42,87 €
TF65 Ni1000 150mm	Ni1000 (according to DIN EN 43 760, class B, TCR = 6180 ppm / K)	1101-7020-9031-000	44,45 €
TF65 Ni1000 200mm	Ni1000 (according to DIN EN 43 760, class B, TCR = 6180 ppm / K)	1101-7020-9041-000	45,06 €
TF65 Ni1000 250mm	Ni1000 (according to DIN EN 43 760, class B, TCR = 6180 ppm / K)	1101-7020-9051-000	47,01 €
TF65 Ni1000 300mm	Ni1000 (according to DIN EN 43 760, class B, TCR = 6180 ppm / K)	1101-7020-9061-000	48,47 €
TF65 Ni1000 350mm	Ni1000 (according to DIN EN 43 760, class B, TCR = 6180 ppm / K)	1101-7020-9071-000	49,46 €
TF65 Ni1000 400mm	Ni1000 (according to DIN EN 43 760, class B, TCR = 6180 ppm / K)	1101-7020-9081-000	50,08 €
TF65 NI1000TK xx	Ni1000 TK5000	IP 67	
TF65 NiTK 50mm	Ni1000 TK5000 (TCR = 5000 ppm / K), LG - Ni1000	1101-7021-0011-000	40,91 €
TF65 NiTK 100mm	Ni1000 TK5000 (TCR = 5000 ppm / K), LG - Ni1000	1101-7021-0021-000	42,87 €
TF65 NiTK 150mm	Ni1000 TK5000 (TCR = 5000 ppm / K), LG - Ni1000	1101-7021-0031-000	44,45 €
TF65 NiTK 200mm	Ni1000 TK5000 (TCR = 5000 ppm / K), LG - Ni1000	1101-7021-0041-000	45,06 €
TF65 NiTK 250mm	Ni1000 TK5000 (TCR = 5000 ppm / K), LG - Ni1000	1101-7021-0051-000	47,01 €
TF65 NiTK 300mm	Ni1000 TK5000 (TCR = 5000 ppm / K), LG - Ni1000	1101-7021-0061-000	48,47 €
TF65 NiTK 350mm	Ni1000 TK5000 (TCR = 5000 ppm / K), LG - Ni1000	1101-7021-0071-000	49,46 €
TF65 NiTK 400mm	Ni1000 TK5000 (TCR = 5000 ppm / K), LG - Ni1000	1101-7021-0081-000	45,71 €

Continued on next page...

High-performance encapsulation against vibration, mechanical stress and humidity





THERMASGARD® TF 65 Temperature sensors (Basic device with quick-locking screws), <i>Premium</i>			
Type/WG03/EL	Sensor/Output	Item No.	Price
TF65 LM235Z xx	LM235Z	IP67	
TF65 LM235Z 50mm	LM235Z (TCR = 10 mV/K; 2.73 V at 0 °C), KP10	1101-7022-1011-000	39,56 €
TF65 LM235Z 100mm	LM235Z (TCR = 10 mV/K; 2.73 V at 0 °C), KP10	1101-7022-1021-000	41,04 €
TF65 LM235Z 150mm	LM235Z (TCR = 10 mV/K; 2.73 V at 0 °C), KP10	1101-7022-1031-000	42,62 €
TF65 LM235Z 200mm	LM235Z (TCR = 10 mV/K; 2.73 V at 0 °C), KP10	1101-7022-1041-000	43,24 €
TF65 LM235Z 250mm	LM235Z (TCR = 10 mV/K; 2.73 V at 0 °C), KP10	1101-7022-1051-000	45,30 €
TF65 LM235Z 300mm	LM235Z (TCR = 10 mV/K; 2.73 V at 0 °C), KP10	1101-7022-1061-000	46,77 €
TF65 LM235Z 350mm	LM235Z (TCR = 10 mV/K; 2.73 V at 0 °C), KP10	1101-7022-1071-000	47,63 €
TF65 LM235Z 400mm	LM235Z (TCR = 10 mV/K; 2.73 V at 0 °C), KP10	1101-7022-1081-000	48,23 €
TF65 NTC 1.8K xx	NTC 1.8K	IP67	
TF65 NTC1,8K 50mm	NTC 1.8K	1101-7021-2011-000	37,38 €
TF65 NTC1,8K 100mm	NTC 1.8K	1101-7021-2021-000	38,95 €
TF65 NTC1,8K 150mm	NTC 1.8K	1101-7021-2031-000	40,54 €
TF65 NTC1,8K 200mm	NTC 1.8K	1101-7021-2041-000	41,04 €
TF65 NTC1,8K 250mm	NTC 1.8K	1101-7021-2051-000	43,10 €
TF65 NTC1,8K 300mm	NTC 1.8K	1101-7021-2061-000	44,57 €
TF65 NTC1,8K 350mm	NTC 1.8K	1101-7021-2071-000	45,37 €
TF65 NTC1,8K 400mm	NTC 1.8K	1101-7021-2081-000	46,41 €
TF65 NTC10K xx	NTC 10K	IP67	
TF65 NTC10K 50mm	NTC 10K	1101-7021-5011-000	37,38 €
TF65 NTC10K 100mm	NTC 10K	1101-7021-5021-000	38,95 €
TF65 NTC10K 150mm	NTC 10K	1101-7021-5031-000	40,54 €
TF65 NTC10K 200mm	NTC 10K	1101-7021-5041-000	41,04 €
TF65 NTC10K 250mm	NTC 10K	1101-7021-5051-000	43,10 €
TF65 NTC10K 300mm	NTC 10K	1101-7021-5061-000	44,57 €
TF65 NTC10K 350mm	NTC 10K	1101-7021-5071-000	45,37 €
TF65 NTC10K 400mm	NTC 10K	1101-7021-5081-000	46,41 €
TF65 NTC20K xx	NTC 20K	IP67	
TF65 NTC20K 50mm	NTC 20K	1101-7021-6011-000	37,38 €
TF65 NTC20K 100mm	NTC 20K	1101-7021-6021-000	38,95 €
TF65 NTC20K 150mm	NTC 20K	1101-7021-6031-000	40,54 €
TF65 NTC20K 200mm	NTC 20K	1101-7021-6041-000	41,04 €
TF65 NTC20K 250mm	NTC 20K	1101-7021-6051-000	42,98 €
TF65 NTC20K 300mm	NTC 20K	1101-7021-6061-000	44,57 €
TF65 NTC20K 350mm	NTC 20K	1101-7021-6071-000	45,37 €
TF65 NTC20K 400mm	NTC 20K	1101-7021-6081-000	46,41 €
Note:	Other sensors optional	on request	
Optional:	Cable connection with M12 connector according to DIN EN 61076-2-101	on request	



THERMASGARD® TF 43 Temperature sensors (Basic device with snap-on lid), *Standard*

Type / WG03 / EL	Sensor / Output	Item No.	Price
TF43 PT100 xx	Pt100	IP 54	
TF43 Pt100 50mm	Pt100 (according to DIN EN 60 751, class B)	1101-7010-1013-000	29,12 €
TF43 Pt100 100mm	Pt100 (according to DIN EN 60 751, class B)	1101-7010-1023-000	29,24 €
TF43 Pt100 150mm	Pt100 (according to DIN EN 60 751, class B)	1101-7010-1033-000	30,18 €
TF43 Pt100 200mm	Pt100 (according to DIN EN 60 751, class B)	1101-7010-1043-000	31,01 €
TF43 Pt100 250mm	Pt100 (according to DIN EN 60 751, class B)	1101-7010-1053-000	32,60 €
TF43 Pt100 300mm	Pt100 (according to DIN EN 60 751, class B)	1101-7010-1063-000	35,28 €
TF43 Pt100 350mm	Pt100 (according to DIN EN 60 751, class B)	1101-7010-1073-000	36,36 €
TF43 Pt100 400mm	Pt100 (according to DIN EN 60 751, class B)	1101-7010-1083-000	37,51 €
TF43 PT1000 xx	Pt1000	IP 54	
TF43 Pt1000 50mm	Pt1000 (according to DIN EN 60 751, class B)	1101-7010-5011-000	29,12 €
TF43 Pt1000 100mm	Pt1000 (according to DIN EN 60 751, class B)	1101-7010-5021-000	29,24 €
TF43 Pt1000 150mm	Pt1000 (according to DIN EN 60 751, class B)	1101-7010-5031-000	30,18 €
TF43 Pt1000 200mm	Pt1000 (according to DIN EN 60 751, class B)	1101-7010-5041-000	31,01 €
TF43 Pt1000 250mm	Pt1000 (according to DIN EN 60 751, class B)	1101-7010-5051-000	32,60 €
TF43 Pt1000 300mm	Pt1000 (according to DIN EN 60 751, class B)	1101-7010-5061-000	35,28 €
TF43 Pt1000 350mm	Pt1000 (according to DIN EN 60 751, class B)	1101-7010-5071-000	36,36 €
TF43 Pt1000 400mm	Pt1000 (according to DIN EN 60 751, class B)	1101-7010-5081-000	37,51 €
TF43 PT1000A xx	Pt1000A	IP 54	
TF43 Pt1000A 50mm	Pt1000 (according to VDI/VDE 3512, class A-TGA)	1101-7010-6013-000	30,94 €
TF43 Pt1000A 100mm	Pt1000 (according to VDI/VDE 3512, class A-TGA)	1101-7010-6023-000	31,09 €
TF43 Pt1000A 150mm	Pt1000 (according to VDI/VDE 3512, class A-TGA)	1101-7010-6033-000	32,00 €
TF43 Pt1000A 200mm	Pt1000 (according to VDI/VDE 3512, class A-TGA)	1101-7010-6043-000	32,85 €
TF43 Pt1000A 250mm	Pt1000 (according to VDI/VDE 3512, class A-TGA)	1101-7010-6053-000	34,42 €
TF43 Pt1000A 300mm	Pt1000 (according to VDI/VDE 3512, class A-TGA)	1101-7010-6063-000	37,11 €
TF43 Pt1000A 350mm	Pt1000 (according to VDI/VDE 3512, class A-TGA)	1101-7010-6073-000	38,20 €
TF43 Pt1000A 400mm	Pt1000 (according to VDI/VDE 3512, class A-TGA)	1101-7010-6083-000	39,36 €
TF43 Ni1000 xx	Ni 1000	IP 54	
TF43 Ni1000 50mm	Ni1000 (according to DIN EN 43 760, class B, TCR = 6180 ppm / K)	1101-7010-9011-000	29,84 €
TF43 Ni1000 100mm	Ni1000 (according to DIN EN 43 760, class B, TCR = 6180 ppm / K)	1101-7010-9021-000	32,66 €
TF43 Ni1000 150mm	Ni1000 (according to DIN EN 43 760, class B, TCR = 6180 ppm / K)	1101-7010-9031-000	32,90 €
TF43 Ni1000 200mm	Ni1000 (according to DIN EN 43 760, class B, TCR = 6180 ppm / K)	1101-7010-9041-000	33,62 €
TF43 Ni1000 250mm	Ni1000 (according to DIN EN 43 760, class B, TCR = 6180 ppm / K)	1101-7010-9051-000	34,57 €
TF43 Ni1000 300mm	Ni1000 (according to DIN EN 43 760, class B, TCR = 6180 ppm / K)	1101-7010-9061-000	36,84 €
TF43 Ni1000 350mm	Ni1000 (according to DIN EN 43 760, class B, TCR = 6180 ppm / K)	1101-7010-9071-000	37,89 €
TF43 Ni1000 400mm	Ni1000 (according to DIN EN 43 760, class B, TCR = 6180 ppm / K)	1101-7010-9081-000	39,59 €
TF43 NI1000TK xx	Ni1000 TK5000	IP 54	
TF43 NiTK 50mm	Ni1000 TK5000 (TCR = 5000 ppm / K), LG-Ni1000	1101-7011-0011-000	29,89 €
TF43 NiTK 100mm	Ni1000 TK5000 (TCR = 5000 ppm / K), LG-Ni1000	1101-7011-0021-000	32,72 €
TF43 NiTK 150mm	Ni1000 TK5000 (TCR = 5000 ppm / K), LG-Ni1000	1101-7011-0031-000	33,06 €
TF43 NiTK 200mm	Ni1000 TK5000 (TCR = 5000 ppm / K), LG-Ni1000	1101-7011-0041-000	33,76 €
TF43 NiTK 250mm	Ni1000 TK5000 (TCR = 5000 ppm / K), LG-Ni1000	1101-7011-0051-000	34,68 €
TF43 NiTK 300mm	Ni1000 TK5000 (TCR = 5000 ppm / K), LG-Ni1000	1101-7011-0061-000	36,99 €
TF43 NiTK 350mm	Ni1000 TK5000 (TCR = 5000 ppm / K), LG-Ni1000	1101-7011-0071-000	38,14 €
TF43 NiTK 400mm	Ni1000 TK5000 (TCR = 5000 ppm / K), LG-Ni1000	1101-7011-0081-000	39,74 €

Continued on next page...

High-performance encapsulation against
vibration, mechanical stress and humidity





THERMASGARD® TF 43 Temperature sensors (Basic device with snap-on lid), <i>Standard</i>			
Type / WG03 / EL	Sensor / Output	Item No.	Price
TF43 LM235Z xx	LM235Z	IP54	
TF43 LM235Z 50mm	LM235Z (TCR = 10 mV / K; 2.73 V at 0 °C), KP10	1101-7012-1011-000	30,43 €
TF43 LM235Z 100mm	LM235Z (TCR = 10 mV / K; 2.73 V at 0 °C), KP10	1101-7012-1021-000	30,76 €
TF43 LM235Z 150mm	LM235Z (TCR = 10 mV / K; 2.73 V at 0 °C), KP10	1101-7012-1031-000	31,87 €
TF43 LM235Z 200mm	LM235Z (TCR = 10 mV / K; 2.73 V at 0 °C), KP10	1101-7012-1041-000	32,60 €
TF43 LM235Z 250mm	LM235Z (TCR = 10 mV / K; 2.73 V at 0 °C), KP10	1101-7012-1051-000	32,97 €
TF43 LM235Z 300mm	LM235Z (TCR = 10 mV / K; 2.73 V at 0 °C), KP10	1101-7012-1061-000	35,80 €
TF43 LM235Z 350mm	LM235Z (TCR = 10 mV / K; 2.73 V at 0 °C), KP10	1101-7012-1071-000	36,24 €
TF43 LM235Z 400mm	LM235Z (TCR = 10 mV / K; 2.73 V at 0 °C), KP10	1101-7012-1081-000	38,50 €
TF43 NTC 1.8K xx	NTC 1.8K	IP54	
TF43 NTC1,8K 50mm	NTC 1.8K	1101-7011-2011-000	29,12 €
TF43 NTC1,8K 100mm	NTC 1.8K	1101-7011-2021-000	30,69 €
TF43 NTC1,8K 150mm	NTC 1.8K	1101-7011-2031-000	31,48 €
TF43 NTC1,8K 200mm	NTC 1.8K	1101-7011-2041-000	32,21 €
TF43 NTC1,8K 250mm	NTC 1.8K	1101-7011-2051-000	33,76 €
TF43 NTC1,8K 300mm	NTC 1.8K	1101-7011-2061-000	34,88 €
TF43 NTC1,8K 350mm	NTC 1.8K	1101-7011-2071-000	36,06 €
TF43 NTC1,8K 400mm	NTC 1.8K	1101-7011-2081-000	36,99 €
TF43 NTC10K xx	NTC 10K	IP54	
TF43 NTC10K 50mm	NTC 10K	1101-7011-5011-000	29,12 €
TF43 NTC10K 100mm	NTC 10K	1101-7011-5021-000	30,69 €
TF43 NTC10K 150mm	NTC 10K	1101-7011-5031-000	31,48 €
TF43 NTC10K 200mm	NTC 10K	1101-7011-5041-000	32,21 €
TF43 NTC10K 250mm	NTC 10K	1101-7011-5051-000	33,76 €
TF43 NTC10K 300mm	NTC 10K	1101-7011-5061-000	34,88 €
TF43 NTC10K 350mm	NTC 10K	1101-7011-5071-000	36,06 €
TF43 NTC10K 400mm	NTC 10K	1101-7011-5081-000	36,99 €
TF43 NTC20K xx	NTC 20K	IP54	
TF43 NTC20K 50mm	NTC 20K	1101-7011-6011-000	29,12 €
TF43 NTC20K 100mm	NTC 20K	1101-7011-6021-000	30,69 €
TF43 NTC20K 150mm	NTC 20K	1101-7011-6031-000	31,48 €
TF43 NTC20K 200mm	NTC 20K	1101-7011-6041-000	32,21 €
TF43 NTC20K 250mm	NTC 20K	1101-7011-6051-000	33,76 €
TF43 NTC20K 300mm	NTC 20K	1101-7011-6061-000	34,88 €
TF43 NTC20K 350mm	NTC 20K	1101-7011-6071-000	36,06 €
TF43 NTC20K 400mm	NTC 20K	1101-7011-6081-000	36,99 €
Note	Other sensors optional	on request	
Optional:	Cable connection with M12 connector according to DIN EN 61076-2-101	on request	

TF43
with snap-on lid
(IP54)

Immersion / screw-in / duct temperature sensors
 with passive output

One basic device in four variants...



PATENTED
 DE 10 2012 017 500.0

TFxx + TH08 -ms/xx

Immersion / screw-in temperature sensor with immersion sleeve, brass, nickel-plated / galvanised

TFxx + TH08 -VA/xx

Immersion / screw-in temperature sensor with immersion sleeve, stainless steel, V4A

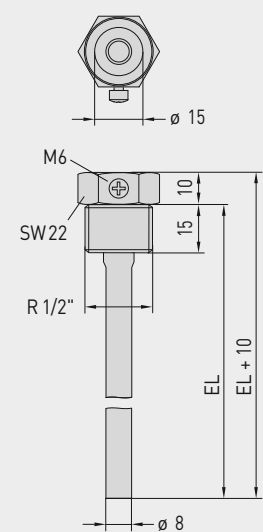
TFxx + TH08 -VA/xx/90

Immersion / screw-in temperature sensor with immersion sleeve with neck tube, stainless steel, V4A

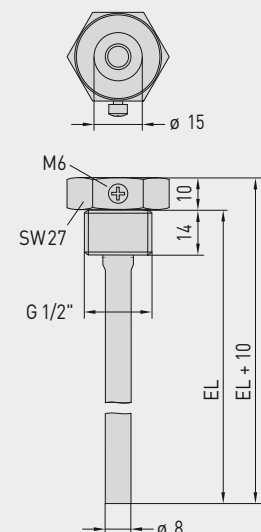
TFxx + MF-15-K

Duct temperature sensor with mounting flange, plastic

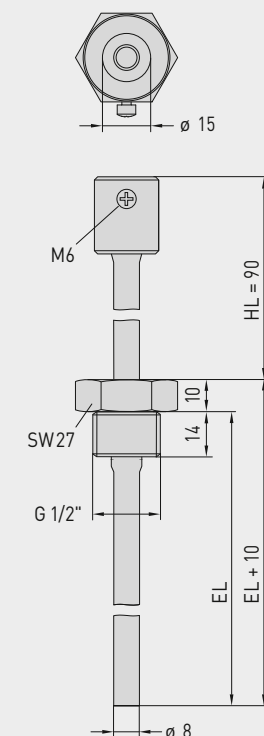
Dimensional drawing TH08 -ms/xx



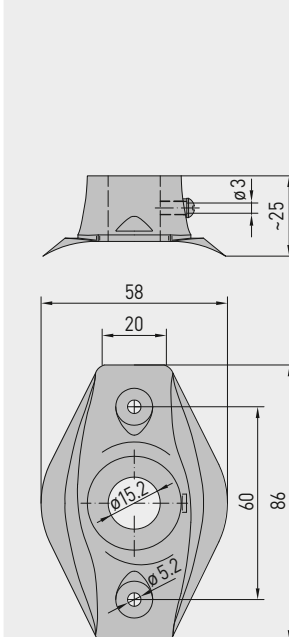
Dimensional drawing TH08 -VA/xx



Dimensional drawing TH08 -VA/xx/90



Dimensional drawing MF-15-K





...through combination with accessories:



TH08-ms/xx
Immersion sleeve,
brass, nickel-plated / galvanised,
thread-sealing, conical,
according to DIN 10226



TH08-VA/xx
Immersion sleeve,
stainless steel, V4A,
flat-sealing, cylindrical,
according to DIN 228



TH08-VA/xx/90
Immersion sleeve with neck tube,
stainless steel, V4A,
flat-sealing, cylindrical,
according to DIN 228



MF-15-K
Mounting flange,
plastic

THERMASGARD® TH08 Immersion sleeve Ø 8 mm (Accessories)					
Type / WG01B	p _{max} (static)	T _{max}	Inserted Length (EL)	Item No.	Price
TH08-ms/xx Brass nickel-plated / galvanised					
without neck tube					
TH08-MS 50MM	10 bar	+150 °C	50 mm	7100-0011-0010-132	12,90 €
TH08-MS 100MM	10 bar	+150 °C	100 mm	7100-0011-0020-132	13,50 €
TH08-MS 150MM	10 bar	+150 °C	150 mm	7100-0011-0030-132	14,60 €
TH08-MS 200MM	10 bar	+150 °C	200 mm	7100-0011-0040-132	15,62 €
TH08-MS 250MM	10 bar	+150 °C	250 mm	7100-0011-0050-132	18,09 €
TH08-MS 300MM	10 bar	+150 °C	300 mm	7100-0011-0060-132	18,90 €
TH08-MS 350MM	10 bar	+150 °C	350 mm	7100-0011-0070-132	19,40 €
TH08-MS 400MM	10 bar	+150 °C	400 mm	7100-0011-0080-132	19,90 €
TH08-VA/xx Stainless steel, V4A (1.4571)					
without neck tube					
TH08-VA 50MM	40 bar	+600 °C	50 mm	7100-0012-0010-132	22,24 €
TH08-VA 100MM	40 bar	+600 °C	100 mm	7100-0012-0020-132	24,50 €
TH08-VA 150MM	40 bar	+600 °C	150 mm	7100-0012-0030-132	26,50 €
TH08-VA 200MM	40 bar	+600 °C	200 mm	7100-0012-0040-132	27,80 €
TH08-VA 250MM	40 bar	+600 °C	250 mm	7100-0012-0050-132	34,60 €
TH08-VA 300MM	40 bar	+600 °C	300 mm	7100-0012-0060-132	36,20 €
TH08-VA 350MM	40 bar	+600 °C	350 mm	7100-0012-0070-132	36,90 €
TH08-VA 400MM	40 bar	+600 °C	400 mm	7100-0012-0080-132	37,90 €
TH08-VA/xx/90 Stainless steel, V4A (1.4571)					
with neck tube (90 mm)					
TH08-VA 50/90MM	40 bar	+600 °C	50 mm	7100-0012-0012-132	29,91 €
TH08-VA 100/90MM	40 bar	+600 °C	100 mm	7100-0012-0022-132	31,26 €
TH08-VA 150/90MM	40 bar	+600 °C	150 mm	7100-0012-0032-132	32,80 €
TH08-VA 200/90MM	40 bar	+600 °C	200 mm	7100-0012-0042-132	34,19 €
TH08-VA 250/90MM	40 bar	+600 °C	250 mm	7100-0012-0052-132	35,83 €
TH08-VA 300/90MM	40 bar	+600 °C	300 mm	7100-0012-0062-132	38,84 €
Note:	inner diameter of socket 15.0 mm For further information see last chapter!				
Mounting flange (Accessories)					
Type / WG01B		T _{max}	Item No.	Price	
MF					
MF-15-K	Mounting flange, plastic, 56.8x84.3 mm, Ø 15.2 mm tube gland	+100 °C	7100-0032-0000-000	6,30 €	
Note:	For further information see last chapter!				

Mean value / rod / duct temperature sensor including mounting flange, with passive output

Mean-value temperature sensor **THERMASGARD® MWTF** (rod sensor 0.4...20 m) with passive output, in an impact-resistant plastic housing with quick-locking screws, with bendable sensor rod (fully active), protective tube made from copper, plastic-coated, and anti-kink spring, incl. mounting flange.

Mean-value temperature sensor **THERMASGARD® MWTF-SD** (rod sensor 3 m / 6 m) with passive output, in an impact-resistant plastic housing with snap-on lid, with bendable sensor rod (fully active), protective tube made from reinforced thermoplastic hose and anti-kink spring, incl. mounting flange.

The sensor is used to detect the mean temperature (mean value) in gaseous media, e.g. in ventilation and air conditioning ducts over the entire cross section or over a defined length. Laid along a meandering route, it uniformly detects the surrounding temperature, as a duct temperature sensor. For proper mounting of the rod, mounting clamps **MK-05-M** (accessories) are available.

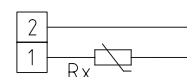
MWTF
 Rod length 0,4 m
 (IP 65)



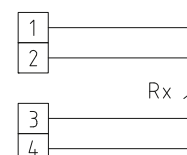
TECHNICAL DATA

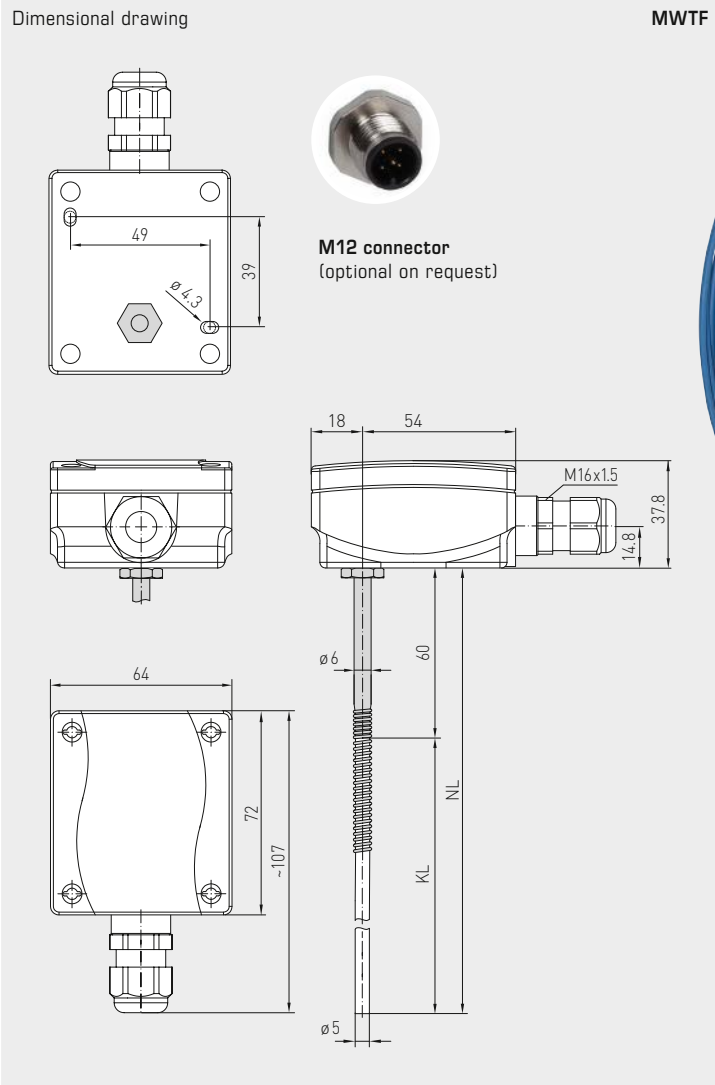
Measuring range:	-30...+80 °C
Sensors / output:	see table, passive
Connection type:	2-wire connection (4-wire connection on PT100, optional on other sensors)
Testing current:	< 0.6 mA (Pt1000) < 1.0 mA (Pt100) < 0.3 mA (Ni1000)
Sensor:	active over the entire length (averaging)
Rod material:	protective tube made from copper, plastic-coated, (MWTF) (made from reinforced thermoplastic hose on the MWTF-SD , with anti-kink spring and sleeve, stainless steel, V4A (1.4571))
Rod dimensions:	Ø = 5.0 mm, nominal length (NL) = 0.4 m / 3 m / 6 m, see table (nominal length optionally up to max. 20 m)
Rod laying:	Observe the admissible values! Bending radius: > 35 mm Vibration load: ≤ 0.5 g Tensile load: < 480 N for the MWTF < 100 N for the MWTF-SD
Housing:	plastic, UV-resistant, material polyamide, 30% glass-globe reinforced, with quick-locking screws (slotted / Phillips head combination), colour traffic white (similar to RAL 9016)
Housing dimensions:	72 x 64 x 37.8 mm (Tyr 1)
Cable connection:	cable gland , plastic (M 16 x 1.5; with strain relief, exchangeable, max. inner diameter 10.4 mm) or M12 connector according to DIN EN 61076-2-101 (optional on request)
Electrical connection:	0.14 - 1.5 mm ² via terminal screws
Process connection:	by mounting flange, plastic, (galvanised steel optional, see accessories) and mounting clamps MK-05-M
Ambient temperature:	-20...+80 °C
Humidity:	< 95% RH, non-precipitating air
Protection class:	III (according to EN 60 730)
Protection type:	IP 54 (according to EN 60 529) for the MWTF-SD IP 65 (according to EN 60 529) for the MWTF Housing tested, TÜV SÜD, report no. 713139052 (Tyr 1)
ACCESSORIES	see table

1x two-wire connection
standard



1x four-wire connection
 (optional)





MWTF
Rod length 3 m / 6 m
(IP65)



MWTF-SD
Rod length 3 m / 6 m
(IP54)

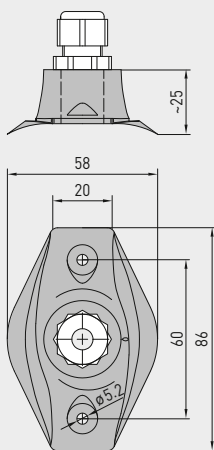


Mean value / rod / duct temperature sensor
including mounting flange, with passive output

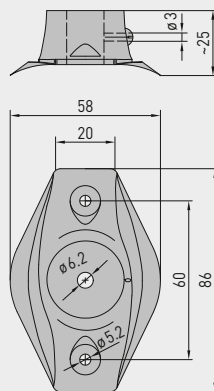
MWTF
Rod length 0,4 m
(IP 65)



Dimensional drawing **KRD-04**



Dimensional drawing **MF-06-K**



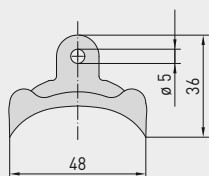
MF-06-K
Mounting flange,
plastic
(Included in the
scope of delivery)



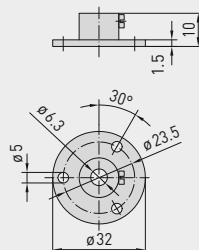
KRD-04
Capillary tube
bushing, plastic
(optional)



Dimensional drawing **MK-05-M**



Dimensional drawing **MF-06-M**



MF-06-M
Mounting flange,
metal
(optional)



MK-05-M
Mounting clamps,
galvanised steel
(from 3 m rod length,
included in the scope
of delivery)





THERMASGARD® MWTF-SD		Mean-value temperature sensor with rod made from reinforced thermoplastic hose, <i>Standard</i>		
Type / WG03B	Sensor / Output	Rod length	Item No.	Price
MWTF-SD	Pt1000		IP54	
MWTF-SD Pt1000 3m	Pt1000 (according to DIN EN 60 751, class B)	3.0 m	1101-3050-5231-200	97,47 €
MWTF-SD Pt1000 6m	Pt1000 (according to DIN EN 60 751, class B)	6.0 m	1101-3050-5261-200	108,44 €
Optional:	Cable connection with M12 connector according to DIN EN 61076-2-101		on request	

THERMASGARD® MWTF		Mean-value temperature sensor with rod made from copper, plastic-coated, <i>Premium</i>		
Type / WG03	Sensor / Output	Rod length	Item No.	Price
MWTF	Pt100		IP65	
MWTF Pt100 0,4m	Pt100 (according to DIN EN 60 751, class B)	0.4 m	1101-3050-1083-000	85,24 €
MWTF Pt100 3m	Pt100 (according to DIN EN 60 751, class B)	3.0 m	1101-3050-1233-000	149,47 €
MWTF Pt100 6m	Pt100 (according to DIN EN 60 751, class B)	6.0 m	1101-3050-1263-000	200,63 €
MWTF	Pt1000		IP65	
MWTF Pt1000 0,4m	Pt1000 (according to DIN EN 60 751, class B)	0.4 m	1101-3050-5081-000	102,15 €
MWTF Pt1000 3m	Pt1000 (according to DIN EN 60 751, class B)	3.0 m	1101-3050-5231-000	149,47 €
MWTF Pt1000 6m	Pt1000 (according to DIN EN 60 751, class B)	6.0 m	1101-3050-5261-000	224,06 €
MWTF	Ni1000		IP65	
MWTF Ni1000 0,4m	Ni1000 (according to DIN EN 43 760, class B)	0.4 m	1101-3050-9081-000	97,73 €
MWTF Ni1000 3m	Ni1000 (according to DIN EN 43 760, class B)	3.0 m	1101-3050-9231-000	156,69 €
MWTF Ni1000 6m	Ni1000 (according to DIN EN 43 760, class B)	6.0 m	1101-3050-9261-000	200,63 €
Extra charge:	Per meter sensor cable (from 6 m to max. 20 m)		on request	
Optional:	Cable connection with M12 connector according to DIN EN 61076-2-101		on request	

ACCESSORIES			
MF-06-K	Mounting flange, plastic (included in the scope of delivery)	7100-0030-1000-000	6,30 €
MF-06-M	Mounting flange, metal, galvanised steel, Ø = 35 mm	7100-0030-5000-100	12,95 €
KRD-04	Capillary tube gland bracket, plastic	7100-0030-7000-000	9,18 €
MK-05-M	Mounting clamps, galvanised steel (6 pieces) (from 3 m rod length, included in the scope of delivery)	7100-0034-0000-000	10,18 €

For further information see last chapter!

**Screw-in/immersion temperature sensors
with neck tube (stepped once)
with passive output**

ETF 7

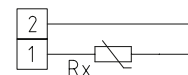
Very quickly responding screw-in resistance thermometer/immersion temperature sensor **THERMASGARD® ETF 7** with passive output, neck tube and a single-tapered stainless steel protective tube, housing cover with quick-locking screws, very short reaction time, particularly suitable for very quick temperature changes and control operations, e.g. in hydraulic systems.

TECHNICAL DATA

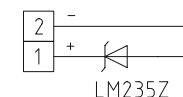
Measuring range:	-35...+150 °C
Sensors / output:	see table, passive (Perfect Sensor Protection)
Response times:	$t_{0,5} = 2.8$ s $t_{0,9} = 10$ s (for water at a flow rate of 2 m/s)
Connection type:	2-wire connection (4-wire connection on PT100, optional on other sensors)
Testing current:	< 0.6 mA (Pt1000) < 1.0 mA (Pt100) < 0.3 mA (Ni1000, Ni1000 TK5000)
Insulating resistance:	≥ 100 MΩ, at +20 °C (500 V DC)
Electrical connection:	0.14 - 1.5 mm² via terminal screws
Cable connection:	cable gland , plastic (M 16 x 1.5; with strain relief, exchangeable, inner diameter 10.4 mm) or M12 connector according to DIN EN 61076-2-101
Housing:	plastic, UV-resistant, material polyamide, 30 % glass-globe reinforced, with quick-locking screws (slotted / Phillips head combination), colour traffic white (similar to RAL 9016)
Housing dimensions:	72 x 64 x 37.8 mm (Tyr 1)
Protective tube:	stainless steel V4A (1.4571), G ½" straight pipe thread, wrench size 27 mm, $p_{max} = 6$ bar, $\varnothing = 6$ mm, single-tapered to $\varnothing = 4$ mm (see dimensional drawing) length of neck tube (HL) = 25 mm inserted length (EL) = 100 - 250 mm (see table)
Process connection:	screwed socket with G ½" straight pipe thread
Humidity:	< 95 % RH, non-precipitating air
Protection class:	III (according to EN 60 730)
Protection type:	IP65 (according to EN 60 529) Housing tested, TÜV SÜD, Report No. 713139052 (Tyr 1)



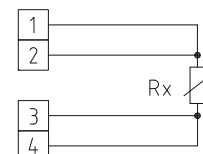
1x two-wire connection
standard



1x two-wire connection
LM235Z (KP 10)



1x four-wire connection
(optional)



High-performance encapsulation against
vibration, mechanical stress and humidity

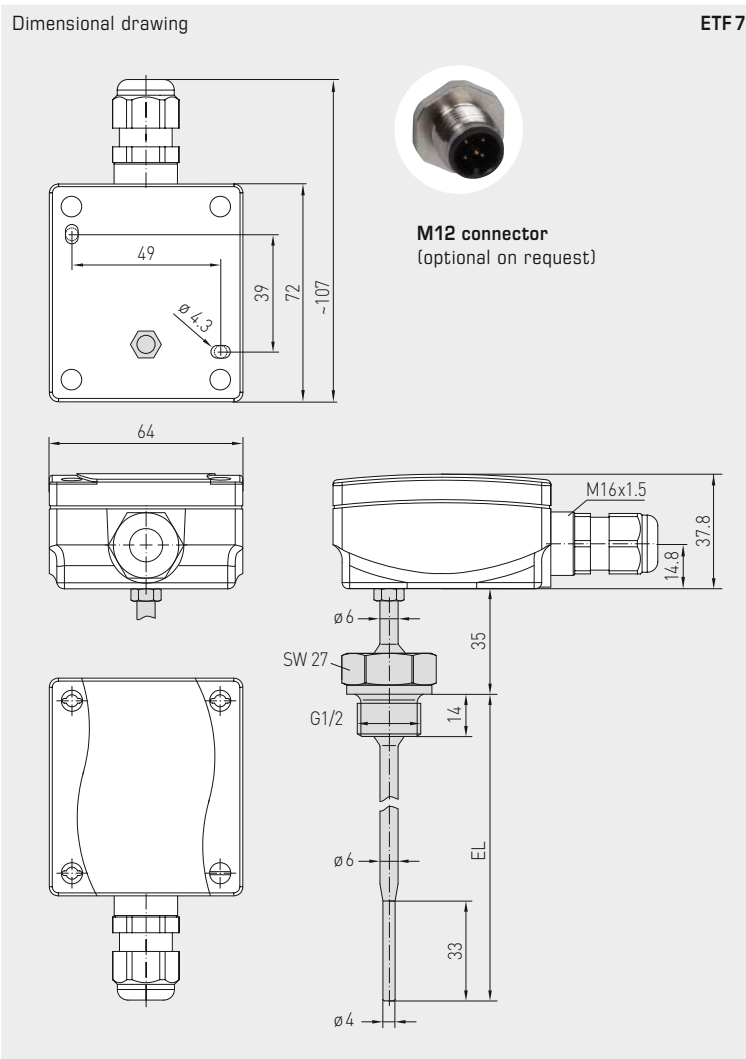
PS-PROTECTION
PERFECT SENSOR PROTECTION



S+S REGELTECHNIK

THERMASGARD® ETF 7

Screw-in / immersion temperature sensors
with neck tube (stepped once)
with passive output



ETF 7



THERMASGARD® ETF 7		Screw-in / immersion temperature sensor with neck tube	
Type / WG01	Sensor / Output	Item No.	Price
ETF7 Pt100 xx	Pt100		
ETF7 Pt100 100mm	Pt100 (according to DIN EN 60 751, class B)	1101-2080-1023-000	146,99 €
ETF7 Pt100 150mm	Pt100 (according to DIN EN 60 751, class B)	1101-2080-1033-000	148,44 €
ETF7 Pt100 250mm	Pt100 (according to DIN EN 60 751, class B)	1101-2080-1053-000	151,83 €
ETF7 Pt1000 xx	Pt1000		
ETF7 Pt1000 100mm	Pt1000 (according to DIN EN 60 751, class B)	1101-2080-5021-000	148,57 €
ETF7 Pt1000 150mm	Pt1000 (according to DIN EN 60 751, class B)	1101-2080-5031-000	149,54 €
ETF7 Pt1000 250mm	Pt1000 (according to DIN EN 60 751, class B)	1101-2080-5051-000	152,55 €
ETF7 Ni1000 xx	Ni1000		
ETF7 Ni1000 100mm	Ni1000 (according to DIN EN 43 760, class B, TCR = 6180 ppm / K)	1101-2084-2021-000	163,85 €
ETF7 Ni1000 150mm	Ni1000 (according to DIN EN 43 760, class B, TCR = 6180 ppm / K)	1101-2084-2031-000	165,43 €
ETF7 Ni1000 250mm	Ni1000 (according to DIN EN 43 760, class B, TCR = 6180 ppm / K)	1101-2084-2051-000	167,50 €
ETF7 Ni1000TK xx	Ni1000 TK5000		
ETF7 NiTK 100mm	Ni1000 TK5000 (TCR = 5000 ppm / K), LG-Ni1000	1101-2081-0021-000	154,45 €
ETF7 NiTK 150mm	Ni1000 TK5000 (TCR = 5000 ppm / K), LG-Ni1000	1101-2081-0031-000	154,86 €
ETF7 NiTK 250mm	Ni1000 TK5000 (TCR = 5000 ppm / K), LG-Ni1000	1101-2081-0051-000	156,29 €
Optional:	Cable connection with M12 connector according to DIN EN 61076-2-101		on request

**Immersion / screw-in / duct temperature sensor,
with passive output**

TF 54
Basic unit

Resistance thermometer / temperature sensor **THERMASGARD® TF 54** with passive output, with connecting head made from aluminium (optionally with **cable gland** or **M12 connector** according to DIN EN 61076-2-101) and straight protective tube.

A basic unit in four variants through combination with accessories, eg, for robust applications with a separate immersion sleeve made from stainless steel.

The duct sensor is used to detect temperatures in liquid or gaseous media. It is used in pipes, heating engineering, storage systems, compact district heating stations, warm and cold water systems, oil and lubrication cycle systems, mechanical, apparatus and plant engineering and throughout the industrial sector.



TECHNICAL DATA

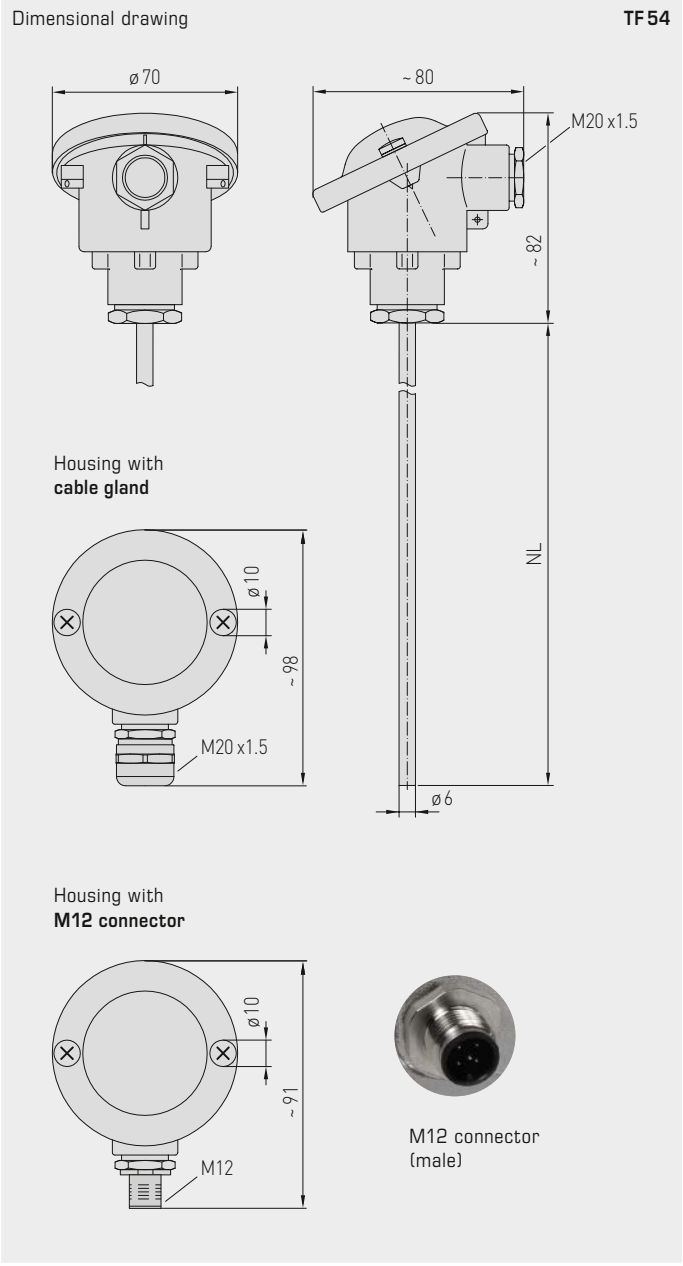
Measuring range:	-35...+180 °C (T_{max} NTC = +150 °C, T_{max} LM235Z = +125 °C)
Sensors / output:	see table, passive (Perfect Sensor Protection) (optionally also with two or other sensors)
Connection type:	2-wire connection (4-wire connection on PT100, optional on other sensors)
Testing current:	< 0.6 mA (Pt1000) < 1.0 mA (Pt100) < 0.3 mA (Ni1000, Ni1000 TK5000) < 2.0 mW (NTC xx) 400 µA...5 mA (LM235Z)
Insulating resistance:	≥ 100 MΩ, at +20 °C (500 V DC)
Electrical connection:	0.14 - 2.5 mm ² , via terminal screws on ceramic base
Cable connection:	TF 54 (standard) adjusting screw made of metal (M20 x 1,5) TF 54-KV (optional) cable gland, brass, nickel-plated (M20 x 1.5; with strain relief, exchangeable, inner diameter 6 - 12 mm) TF 54-Q (optional) M12 connector according to DIN EN 61076-2-101 (male, 5-pin, A-code)
Dimensions:	see dimensional drawing
Connecting head:	form B, material aluminium, colour white aluminium (similar RAL 9006), ambient temperature -20...+100 °C
Protective tube:	stainless steel, V4A (1.4571), Ø = 6 mm, inserted length (EL) = 50 - 400 mm (see table)
Process connection:	by means of immersion sleeve or mounting flange (accessories)
Humidity:	< 95 % RH, non-precipitating air
Protection class:	III (according to EN 60 730)
Protection type:	IP 54 (according to EN 60 529) TF 54 IP 65 (according to EN 60 529) TF 54-KV / TF 54-Q
ACCESSORIES	(see table)
TH-ms / xx	Immersion sleeve, brass, nickel-plated / galvanised Ø = 8 mm, T_{max} = +150 °C, p_{max} = 10 bar
TH-VA / xx	Immersion sleeve, stainless steel, V4A (1.4571), Ø = 8 mm, T_{max} = +600 °C, p_{max} = 40 bar
TH-VA / xx / 90	Immersion sleeve, stainless steel, V4A (1.4571), with neck tube (90 mm), Ø = 8 mm, T_{max} = +600 °C, p_{max} = 40 bar
MF-06-M	Mounting flange, metal, galvanised steel, Ø = 32 mm, Ø = 6.3 mm tube gland, T_{max} = +700 °C



2-wire connection



4-wire connection



TF 54
Standard
(IP 54)



TF 54-KV
with cable gland
(IP 65)



TF 54-Q
with M12 connector
(IP 65)

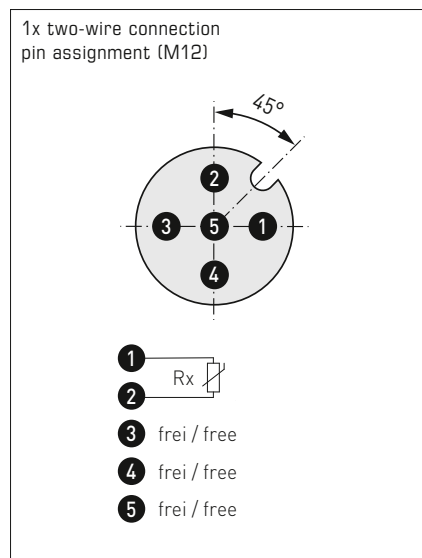
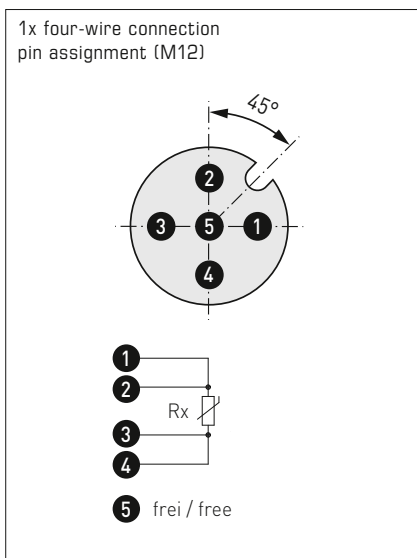
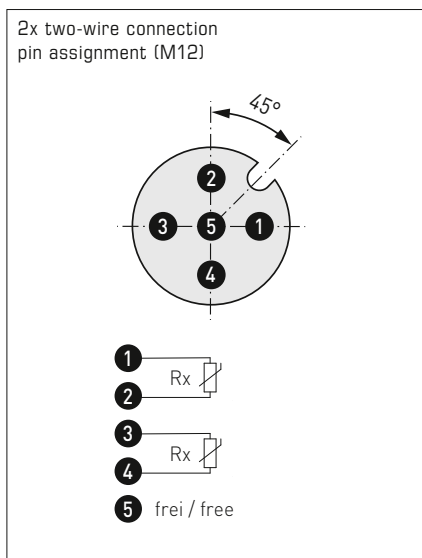
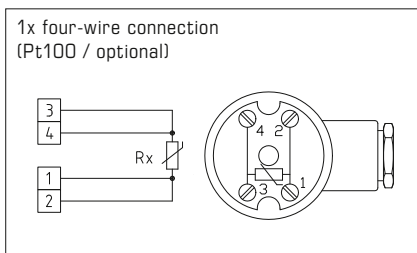
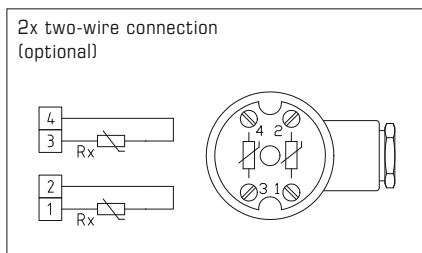
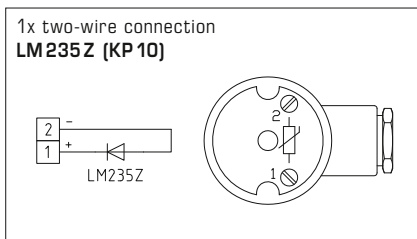
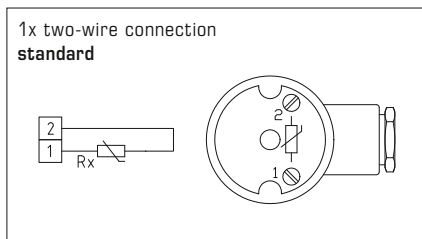


High-performance encapsulation against vibration, mechanical stress and humidity



Immersion / screw-in / duct temperature sensor,
with passive output

TM54
standard
(IP 54)



THERMASGARD® Temperature sensor
TF 54 (Basic unit)

Type / WG03	Sensor / Output	Installation length (EL)	Item No.	Price
TF 54 Pt100 xx	Pt100 (according to DIN EN 60751, class B)		IP 54, 4-wire	
TF54 Pt100 50mm	Pt100	50 mm	1101-7050-1013-000	68,37 €
TF54 Pt100 100mm	Pt100	100 mm	1101-7050-1023-000	70,03 €
TF54 Pt100 150mm	Pt100	150 mm	1101-7050-1033-000	71,53 €
TF54 Pt100 200mm	Pt100	200 mm	1101-7050-1043-000	74,28 €
TF54 Pt100 250mm	Pt100	250 mm	1101-7050-1053-000	74,60 €
TF54 Pt100 300mm	Pt100	300 mm	1101-7050-1063-000	74,87 €
TF54 Pt100 400mm	Pt100	400 mm	1101-7050-1083-000	75,91 €
TF 54 Pt1000 xx	Pt1000 (according to DIN EN 60751, class B)		IP 54, 2-wire	
TF54 Pt1000 50mm	Pt1000	50 mm	1101-7050-5011-000	68,37 €
TF54 Pt1000 100mm	Pt1000	100 mm	1101-7050-5021-000	70,03 €
TF54 Pt1000 150mm	Pt1000	150 mm	1101-7050-5031-000	71,53 €
TF54 Pt1000 200mm	Pt1000	200 mm	1101-7050-5041-000	74,28 €
TF54 Pt1000 250mm	Pt1000	250 mm	1101-7050-5051-000	74,66 €
TF54 Pt1000 300mm	Pt1000	300 mm	1101-7050-5061-000	74,87 €
TF54 Pt1000 400mm	Pt1000	400 mm	1101-7050-5081-000	75,91 €

Continued on next page...



THERMASGARD® TF 54		Temperature sensor (Basic unit)		
Type/WG03	Sensor/Output	Installation length (EL)	Item No.	Price
TF 54 Ni1000 xx	Ni 1000 (according to DIN EN 43760, class B, TCR = 6180 ppm/K)		IP 54, 2-wire	
TF54 Ni1000 50mm	Ni1000	50 mm	1101-7050-9011-000	69,56 €
TF54 Ni1000 100mm	Ni1000	100 mm	1101-7050-9021-000	71,54 €
TF54 Ni1000 150mm	Ni1000	150 mm	1101-7050-9031-000	72,70 €
TF54 Ni1000 200mm	Ni1000	200 mm	1101-7050-9041-000	74,35 €
TF54 Ni1000 250mm	Ni1000	250 mm	1101-7050-9051-000	74,81 €
TF54 Ni1000 300mm	Ni1000	300 mm	1101-7050-9061-000	75,08 €
TF54 Ni1000 400mm	Ni1000	400 mm	1101-7050-9081-000	76,19 €
TF 54 Ni1000TK xx	Ni1000 TK5000 (TCR = 5000 ppm/K), LG-Ni1000		IP 54, 2-wire	
TF54 NiTK 50mm	Ni1000 TK5000	50 mm	1101-7051-0011-000	69,83 €
TF54 NiTK 100mm	Ni1000 TK5000	100 mm	1101-7051-0021-000	72,39 €
TF54 NiTK 150mm	Ni1000 TK5000	150 mm	1101-7051-0031-000	73,59 €
TF54 NiTK 200mm	Ni1000 TK5000	200 mm	1101-7051-0041-000	74,61 €
TF54 NiTK 250mm	Ni1000 TK5000	250 mm	1101-7051-0051-000	75,08 €
TF54 NiTK 300mm	Ni1000 TK5000	300 mm	1101-7051-0061-000	75,31 €
TF54 NiTK 400mm	Ni1000 TK5000	400 mm	1101-7051-0081-000	76,45 €
TF 54 LM235Z xx	LM235Z (TCR = 10 mV/K; 2.73 V at 0°C), KP10		IP 54, 2-wire	
TF54 LM235Z 50mm	LM235Z	50 mm	1101-7052-1011-000	69,78 €
TF54 LM235Z 100mm	LM235Z	100 mm	1101-7052-1021-000	70,23 €
TF54 LM235Z 150mm	LM235Z	150 mm	1101-7052-1031-000	70,35 €
TF54 LM235Z 200mm	LM235Z	200 mm	1101-7052-1041-000	71,14 €
TF54 LM235Z 250mm	LM235Z	250 mm	1101-7052-1051-000	72,98 €
TF54 LM235Z 300mm	LM235Z	300 mm	1101-7052-1061-000	73,57 €
TF54 LM235Z 400mm	LM235Z	400 mm	1101-7052-1081-000	74,81 €
TF 54 NTC 1,8K xx	NTC 1,8K		IP 54, 2-wire	
TF54 NTC1,8K 50mm	NTC 1,8K	50 mm	1101-7051-2011-000	69,44 €
TF54 NTC1,8K 100mm	NTC 1,8K	100 mm	1101-7051-2021-000	73,57 €
TF54 NTC1,8K 150mm	NTC 1,8K	150 mm	1101-7051-2031-000	73,94 €
TF54 NTC1,8K 200mm	NTC 1,8K	200 mm	1101-7051-2041-000	74,47 €
TF54 NTC1,8K 250mm	NTC 1,8K	250 mm	1101-7051-2051-000	75,73 €
TF54 NTC1,8K 300mm	NTC 1,8K	300 mm	1101-7051-2061-000	76,45 €
TF54 NTC1,8K 400mm	NTC 1,8K	400 mm	1101-7051-2081-000	76,74 €
TF 54 NTC10K xx	NTC 10K		IP 54, 2-wire	
TF54 NTC10K 50mm	NTC 10K	50 mm	1101-7051-5011-000	69,44 €
TF54 NTC10K 100mm	NTC 10K	100 mm	1101-7051-5021-000	73,57 €
TF54 NTC10K 150mm	NTC 10K	150 mm	1101-7051-5031-000	73,94 €
TF54 NTC10K 200mm	NTC 10K	200 mm	1101-7051-5041-000	74,47 €
TF54 NTC10K 250mm	NTC 10K	250 mm	1101-7051-5051-000	75,73 €
TF54 NTC10K 300mm	NTC 10K	300 mm	1101-7051-5061-000	76,45 €
TF54 NTC10K 400mm	NTC 10K	400 mm	1101-7051-5081-000	76,74 €
TF 54 NTC20K xx	NTC 20K		IP 54, 2-wire	
TF54 NTC20K 50mm	NTC 20K	50 mm	1101-7051-6011-000	69,44 €
TF54 NTC20K 100mm	NTC 20K	100 mm	1101-7051-6021-000	73,57 €
TF54 NTC20K 150mm	NTC 20K	150 mm	1101-7051-6031-000	73,94 €
TF54 NTC20K 200mm	NTC 20K	200 mm	1101-7051-6041-000	74,47 €
TF54 NTC20K 250mm	NTC 20K	250 mm	1101-7051-6051-000	75,73 €
TF54 NTC20K 300mm	NTC 20K	300 mm	1101-7051-6061-000	76,45 €
TF54 NTC20K 400mm	NTC 20K	400 mm	1101-7051-6081-000	76,74 €
Housing variant:	equipped as standard with pressure screw (IP 54), optional housing variants with cable gland (IP 65) or M12 connector (IP 65) see the next page!			
Extra charge:	optionally also with two or other sensors		on request	

Immersion/screw-in/duct temperature sensor,
with passive output

TF 54 - Q
with M12 connector
(IP 65)



THERMASGARD®		Temperature sensor (Basic unit with M12 connector)			
Type/WG03	Sensor/Output	Installation length (EL)	Q	Item No.	Price
TF 54 Pt100 xx Q	Pt100 (according to DIN EN 60751, class B)		●	IP 65, 4-wire	
TF54 Pt100 50mm Q	Pt100	50 mm	●	2Z01-4111-0100-011	111,55 €
TF54 Pt100 100mm Q	Pt100	100 mm	●	2Z01-4111-0100-021	113,20 €
TF54 Pt100 150mm Q	Pt100	150 mm	●	2Z01-4111-0100-031	114,72 €
TF54 Pt100 200mm Q	Pt100	200 mm	●	2Z01-4111-0100-041	117,45 €
TF54 Pt100 250mm Q	Pt100	250 mm	●	2Z01-4111-0100-051	117,79 €
TF54 Pt100 300mm Q	Pt100	300 mm	●	2Z01-4111-0100-061	118,06 €
TF54 Pt100 400mm Q	Pt100	400 mm	●	2Z01-4111-0100-081	119,11 €
TF 54 Pt1000 xx Q	Pt1000 (according to DIN EN 60751, class B)			IP 65, 2-wire	
TF54 Pt1000 50mm Q	Pt1000	50 mm	●	2Z05-4111-0100-011	111,55 €
TF54 Pt1000 100mm Q	Pt1000	100 mm	●	2Z05-4111-0100-021	113,20 €
TF54 Pt1000 150mm Q	Pt1000	150 mm	●	2Z05-4111-0100-031	114,72 €
TF54 Pt1000 200mm Q	Pt1000	200 mm	●	2Z05-4111-0100-041	117,45 €
TF54 Pt1000 250mm Q	Pt1000	250 mm	●	2Z05-4111-0100-051	117,79 €
TF54 Pt1000 300mm Q	Pt1000	300 mm	●	2Z05-4111-0100-061	118,06 €
TF54 Pt1000 400mm Q	Pt1000	400 mm	●	2Z05-4111-0100-081	119,11 €
Housing variant "Q":	Cable connection with M12 connector (male, 5-pin, A-code)				
Extra charge:	optionally also with two or other sensors			on request	

ACCESSORIES

Special accessories for M12 connector
see chapter Accessories!



TF54 - KV
with cable gland
(IP 65)



THERMASGARD® TF 54 - KV		Temperature sensor (Basic unit with cable gland)		
Type / WG03	Sensor / Output	Installation length (EL)	Item No.	Price
TF54 Pt100 xx KV	Pt100 (according to DIN EN 60751, class B)		IP 65, 4-wire	
TF54 Pt100 50mm KV	Pt100	50 mm	1101-7070-1013-000	78,08 €
TF54 Pt100 100mm KV	Pt100	100 mm	1101-7070-1023-000	79,73 €
TF54 Pt100 150mm KV	Pt100	150 mm	1101-7070-1033-000	81,24 €
TF54 Pt100 200mm KV	Pt100	200 mm	1101-7070-1043-000	80,63 €
TF54 Pt100 250mm KV	Pt100	250 mm	1101-7070-1053-000	84,33 €
TF54 Pt100 300mm KV	Pt100	300 mm	1101-7070-1063-000	84,57 €
TF54 Pt100 400mm KV	Pt100	400 mm	1101-7070-1083-000	85,64 €
TF54 Pt1000 xx KV	Pt1000 (according to DIN EN 60751, class B)		IP 65, 2-wire	
TF54 Pt1000 50mm KV	Pt1000	50 mm	1101-7070-5011-000	78,09 €
TF54 Pt1000 100mm KV	Pt1000	100 mm	1101-7070-5021-000	79,73 €
TF54 Pt1000 150mm KV	Pt1000	150 mm	1101-7070-5031-000	77,90 €
TF54 Pt1000 200mm KV	Pt1000	200 mm	1101-7070-5041-000	84,00 €
TF54 Pt1000 250mm KV	Pt1000	250 mm	1101-7070-5051-000	84,34 €
TF54 Pt1000 300mm KV	Pt1000	300 mm	1101-7070-5061-000	81,44 €
TF54 Pt1000 400mm KV	Pt1000	400 mm	1101-7070-5081-000	85,64 €
Housing variant "KV":	Cable connection with cable gland			
Extra charge:	optionally also with two or other sensors		on request	

Immersion / screw-in / duct temperature sensor,
with passive output

One basic device in four variants ...



**TF 54 +
TH -ms/xx**

Immersion / screw-in
temperature sensor
with immersion sleeve, brass,
nickel-plated / galvanised

**TF 54 +
TH -VA/xx**

Immersion / screw-in
temperature sensor
with immersion sleeve,
stainless steel, V4A

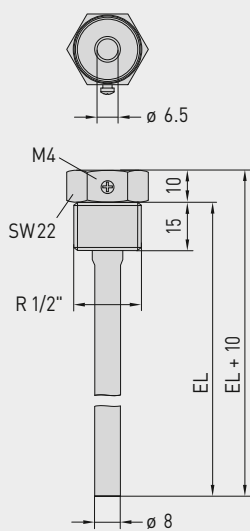
**TF 54 +
TH -VA/xx/90**

Immersion / screw-in
temperature sensor with
immersion sleeve with neck
tube, stainless steel, V4A

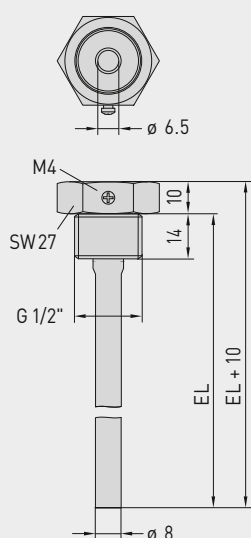
**TF 54 +
MF-06-M**

Duct temperature sensor
with mounting flange, metal

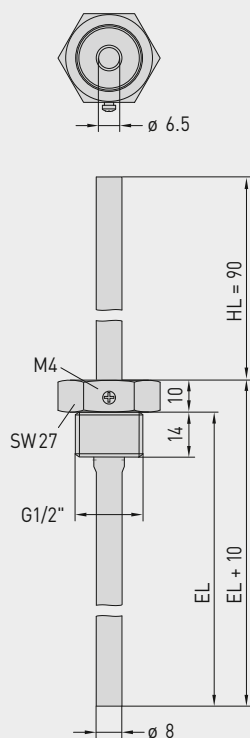
Dimensional drawing
TH -ms/xx



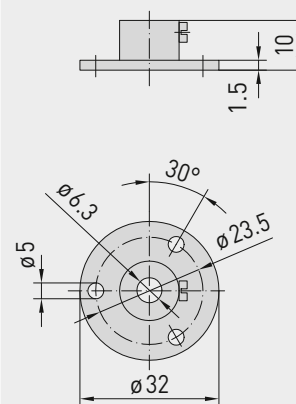
Dimensional drawing
TH -VA/xx



Dimensional drawing
TH -VA/xx/90



Dimensional drawing
MF-06-M





...through combination with accessories:



TH - ms /xx
Immersion sleeve,
brass, nickel-plated / galvanised,
thread-sealing, conical,
according to DIN 10226



TH - VA /xx
Immersion sleeve,
stainless steel, V4A,
flat-sealing, cylindrical,
according to DIN 228



TH - VA /xx /90
Immersion sleeve with neck tube,
stainless steel, V4A,
flat-sealing, cylindrical,
according to DIN 228



MF-06-M
Mounting flange,
metal

THERMASGARD® TH Immersion sleeve Ø 8 mm (accessories)					
Type / WG01	p _{max} (static)	T _{max}	Inserted Length (EL)	Item No.	Price
TH - ms /xx	Brass nickel-plated / galvanised			without neck tube	
TH-MS 50MM	10 bar	+150 °C	50 mm	7100-0011-0010-001	9,59 €
TH-MS 100MM	10 bar	+150 °C	100 mm	7100-0011-0020-001	10,93 €
TH-MS 150MM	10 bar	+150 °C	150 mm	7100-0011-0030-001	11,54 €
TH-MS 200MM	10 bar	+150 °C	200 mm	7100-0011-0040-001	11,91 €
TH-MS 250MM	10 bar	+150 °C	250 mm	7100-0011-0050-001	13,79 €
TH-MS 300MM	10 bar	+150 °C	300 mm	7100-0011-0060-001	14,17 €
TH-MS 350MM	10 bar	+150 °C	350 mm	7100-0011-0070-001	14,29 €
TH-MS 400MM	10 bar	+150 °C	400 mm	7100-0011-0080-001	14,42 €
TH - VA /xx	Stainless steel, V4A (1.4571)			without neck tube	
TH-VA 50MM	40 bar	+600 °C	50 mm	7100-0012-0010-001	20,89 €
TH-VA 100MM	40 bar	+600 °C	100 mm	7100-0012-0020-001	23,08 €
TH-VA 150MM	40 bar	+600 °C	150 mm	7100-0012-0030-001	24,80 €
TH-VA 200MM	40 bar	+600 °C	200 mm	7100-0012-0040-001	26,14 €
TH-VA 250MM	40 bar	+600 °C	250 mm	7100-0012-0050-001	32,50 €
TH-VA 300MM	40 bar	+600 °C	300 mm	7100-0012-0060-001	33,96 €
TH-VA 350MM	40 bar	+600 °C	350 mm	7100-0012-0070-001	34,19 €
TH-VA 400MM	40 bar	+600 °C	400 mm	7100-0012-0080-001	34,79 €
TH - VA /xx /90	Stainless steel, V4A (1.4571)			with neck tube (90 mm)	
TH-VA 50/90MM	40 bar	+600 °C	50 mm	7100-0012-2010-001	29,91 €
TH-VA 100/90MM	40 bar	+600 °C	100 mm	7100-0012-2020-001	31,26 €
TH-VA 150/90MM	40 bar	+600 °C	150 mm	7100-0012-2030-001	32,80 €
TH-VA 200/90MM	40 bar	+600 °C	200 mm	7100-0012-2040-001	34,19 €
TH-VA 250/90MM	40 bar	+600 °C	250 mm	7100-0012-2050-001	35,83 €
TH-VA 300/90MM	40 bar	+600 °C	300 mm	7100-0012-2060-001	38,84 €
Note:	inner diameter of socket 6.5 mm For further information see last chapter!				
Mounting flange (accessories)					
Type / WG01		T _{max}		Item No.	Price
MF					
MF-06-M	Mounting flange, metal (galvanised steel) Ø 32 mm, tube gland Ø 6.3 mm	+700 °C		7100-0030-5000-100	12,95 €
Note:	For further information see last chapter!				

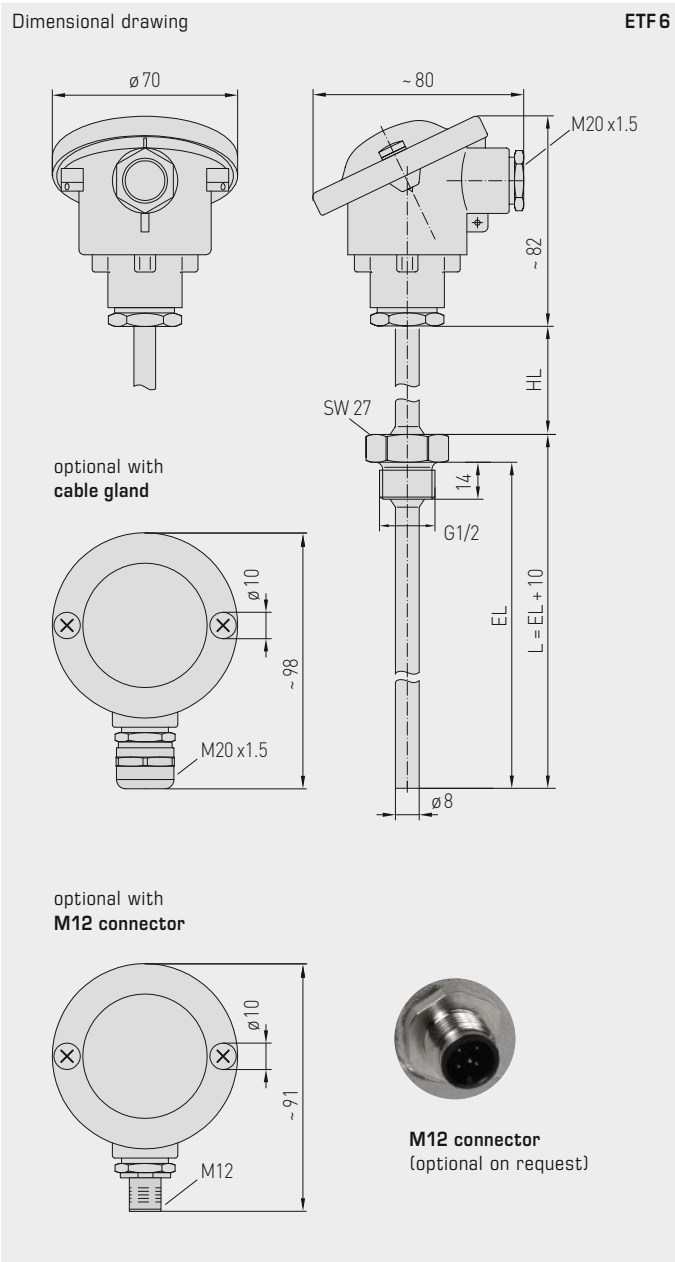
**Screw-in/immersion temperature sensor with neck tube,
with passive output**
ETF 6
standard

Screw-in resistance thermometer / temperature sensor with neck tube
THERMASGARD® ETF 6 with passive output, with connecting head made from aluminium (optionally with **cable gland** or **M12 connector** according to DIN EN 61076-2-101) and straight protective tube.

The duct sensor is used to detect temperatures in liquid or gaseous media. It is used in pipes, tanks or storage systems, preferably where tubes or tanks must be isolated.


TECHNICAL DATA

Measuring range:	-35...+180 °C (T_{max} NTC = +150 °C, T_{max} LM235Z = +125 °C)
Sensors / output:	see table, passive (Perfect Sensor Protection) (optionally also with two or other sensors)
Connection type:	2-wire connection (4-wire connection on PT100, optional on other sensors)
Testing current:	< 0.6 mA (Pt1000) < 1.0 mA (Pt100) < 0.3 mA (Ni1000, Ni1000 TK5000) < 2.0 mW (NTC xx) 400 µA...5 mA (LM235Z)
Insulating resistance:	≥ 100 MΩ, at +20 °C (500 V DC)
Electrical connection:	0.14 - 2.5 mm ² , via terminal screws on ceramic base
Cable connection:	ETF 6 (standard) adjusting screw made of metal (M20 x 1,5) ETF 6-KV (optional) cable gland, brass, nickel-plated (M20 x 1.5; with strain relief, exchangeable, inner diameter 6 - 12 mm) ETF 6-Q (optional) M12 connector according to DIN EN 61076-2-101 (male, 5-pin, A-code)
Dimensions:	see dimensional drawing
Connecting head:	form B, material aluminium, colour white aluminium (similar RAL 9006), ambient temperature -20...+100 °C
Protective tube:	stainless steel V4A (1.4571), G ½" straight pipe thread, wrench size 27 mm, p_{max} = 40 bar, Ø = 8 mm length of neck tube (HL) = 80 mm inserted length (EL) = 100 - 400 mm (see table)
Process connection:	screwed socket with G ½"
Humidity:	< 95 % RH, non-precipitating air
Protection class:	III (according to EN 60 730)
Protection type:	IP 54 (according to EN 60 529) ETF 6 IP 65 (according to EN 60 529) ETF 6-KV / ETF 6-Q



ETF 6
standard
(IP 54)



ETF 6-KV
with cable gland
(IP 65)



ETF 6-Q
with M12 connector
(IP 65)

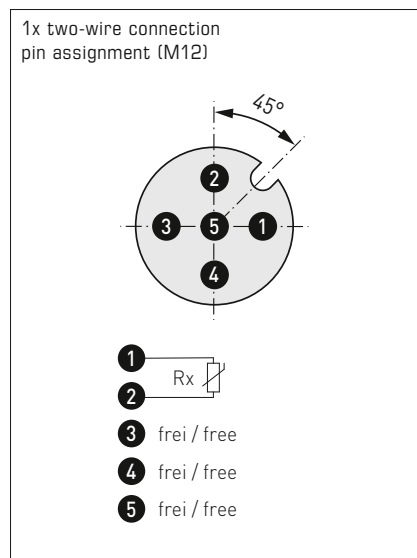
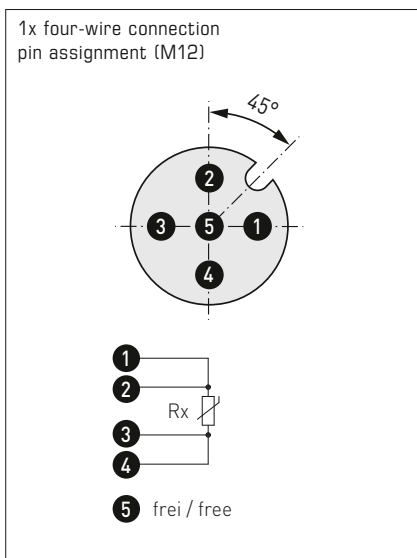
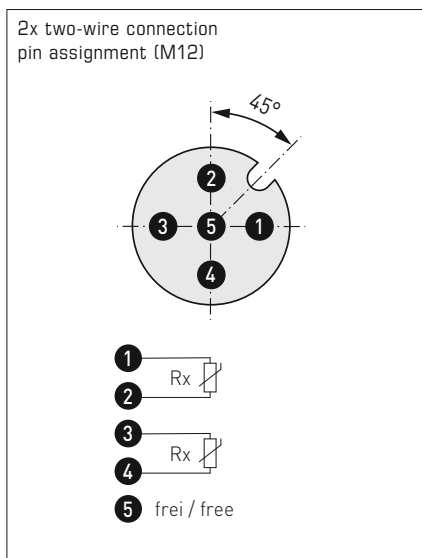
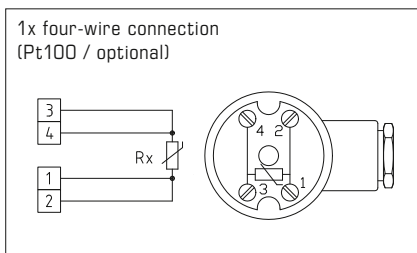
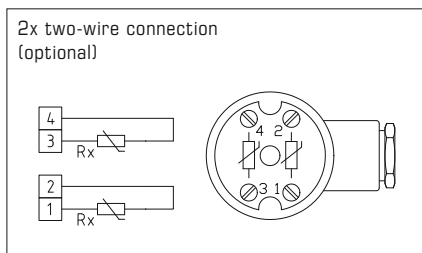
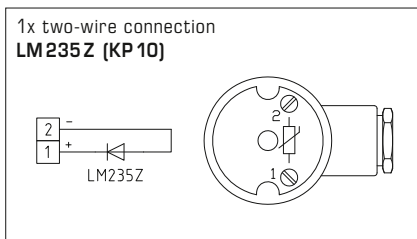
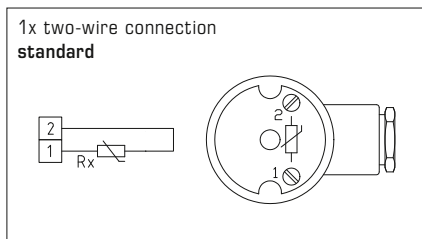


High-performance encapsulation against vibration, mechanical stress and humidity



Screw-in/immersion temperature sensor with neck tube,
with passive output

ETF6
standard
(IP 54)



THERMASGARD® Screw-in / immersion temperature sensor with neck tube
ETF 6 (standard)

Type/WG03	Sensor/Output	Installation length (EL)	Item No.	Price
ETF6 Pt100 xx	Pt100 (according to DIN EN 60751, class B)		IP 54, 4-wire	
ETF6 Pt100 100/80	Pt100	100 mm	1101-2070-1023-000	87,21 €
ETF6 Pt100 150/80	Pt100	150 mm	1101-2070-1033-000	91,79 €
ETF6 Pt100 200/80	Pt100	200 mm	1101-2070-1043-000	94,40 €
ETF6 Pt100 250/80	Pt100	250 mm	1101-2070-1053-000	96,90 €
ETF6 Pt100 400/80	Pt100	400 mm	1101-2070-1083-000	99,93 €
ETF6 Pt1000 xx	Pt1000 (according to DIN EN 60751, class B)		IP 54, 2-wire	
ETF6 Pt1000 100/80	Pt1000	100 mm	1101-2070-5021-000	89,30 €
ETF6 Pt1000 150/80	Pt1000	150 mm	1101-2070-5031-000	94,40 €
ETF6 Pt1000 200/80	Pt1000	200 mm	1101-2070-5041-000	95,90 €
ETF6 Pt1000 250/80	Pt1000	250 mm	1101-2070-5051-000	97,05 €
ETF6 Pt1000 400/80	Pt1000	400 mm	1101-2070-5081-000	100,89 €

Continued on next page...



THERMASGARD® ETF 6		Screw-in / immersion temperature sensor with neck tube (standard)		
Type / WG03	Sensor / Output	Installation length (EL)	Item No.	Price
ETF6 Ni1000 xx	Ni1000 (according to DIN EN 43760, class B, TCR = 6180 ppm/K)		IP 54, 2-wire	
ETF6 Ni1000 100/80	Ni1000	100 mm	1101-2070-9021-000	92,69 €
ETF6 Ni1000 150/80	Ni1000	150 mm	1101-2070-9031-000	94,33 €
ETF6 Ni1000 200/80	Ni1000	200 mm	1101-2070-9041-000	96,88 €
ETF6 Ni1000 250/80	Ni1000	250 mm	1101-2070-9051-000	97,38 €
ETF6 Ni1000 400/80	Ni1000	400 mm	1101-2070-9081-000	102,29 €
ETF6 Ni1000TK xx	Ni1000 TK5000 (TCR = 5000 ppm/K, LG-Ni1000)		IP 54, 2-wire	
ETF6 NiTK 100/80	Ni1000 TK5000	100 mm	1101-2071-0021-000	93,10 €
ETF6 NiTK 150/80	Ni1000 TK5000	150 mm	1101-2071-0031-000	95,30 €
ETF6 NiTK 200/80	Ni1000 TK5000	200 mm	1101-2071-0041-000	97,77 €
ETF6 NiTK 250/80	Ni1000 TK5000	250 mm	1101-2071-0051-000	100,76 €
ETF6 NiTK 400/80	Ni1000 TK5000	400 mm	1101-2071-0081-000	103,33 €
ETF6 LM235Z xx	LM235Z (TCR = 10 mV/K; 2.73 V at 0 °C), KP10		IP 54, 2-wire	
ETF6 LM235Z 100/80	LM235Z	100 mm	1101-2072-1021-000	88,52 €
ETF6 LM235Z 150/80	LM235Z	150 mm	1101-2072-1031-000	92,43 €
ETF6 LM235Z 200/80	LM235Z	200 mm	1101-2072-1041-000	94,40 €
ETF6 LM235Z 250/80	LM235Z	250 mm	1101-2072-1051-000	95,73 €
ETF6 LM235Z 400/80	LM235Z	400 mm	1101-2072-1081-000	101,75 €
ETF6 NTC 1,8K xx	NTC 1,8K		IP 54, 2-wire	
ETF6 NTC1,8K 100/80	NTC 1,8K	100 mm	1101-2071-2021-000	92,83 €
ETF6 NTC1,8K 150/80	NTC 1,8K	150 mm	1101-2071-2031-000	94,22 €
ETF6 NTC1,8K 200/80	NTC 1,8K	200 mm	1101-2071-2041-000	95,66 €
ETF6 NTC1,8K 250/80	NTC 1,8K	250 mm	1101-2071-2051-000	99,78 €
ETF6 NTC1,8K 400/80	NTC 1,8K	400 mm	1101-2071-2081-000	102,60 €
ETF6 NTC10K xx	NTC 10K		IP 54, 2-wire	
ETF6 NTC10K 100/80	NTC 10K	100 mm	1101-2071-5021-000	92,83 €
ETF6 NTC10K 150/80	NTC 10K	150 mm	1101-2071-5031-000	94,22 €
ETF6 NTC10K 200/80	NTC 10K	200 mm	1101-2071-5041-000	95,66 €
ETF6 NTC10K 250/80	NTC 10K	250 mm	1101-2071-5051-000	99,78 €
ETF6 NTC10K 400/80	NTC 10K	400 mm	1101-2071-5081-000	102,60 €
ETF6 NTC20K xx	NTC 20K		IP 54, 2-wire	
ETF6 NTC20K 100/80	NTC 20K	100 mm	1101-2071-6021-000	92,83 €
ETF6 NTC20K 150/80	NTC 20K	150 mm	1101-2071-6031-000	94,22 €
ETF6 NTC20K 200/80	NTC 20K	200 mm	1101-2071-6041-000	95,66 €
ETF6 NTC20K 250/80	NTC 20K	250 mm	1101-2071-6051-000	99,78 €
ETF6 NTC20K 400/80	NTC 20K	400 mm	1101-2071-6081-000	102,60 €
Housing variant:	equipped as standard with pressure screw (IP 54), optional housing variants with cable gland (IP 65) or M12 connector (IP 65) see the next page!			
Extra charge:	optionally also with two or other sensors			on request

Screw-in / immersion temperature sensor with neck tube,
with passive output

ETF6-Q
with M12 connector
(IP 65)



THERMASGARD® ETF 6-Q		Screw-in / immersion temperature sensor with neck tube (with M12 connector)			
Type / WG03	Sensor / Output	Installation length (EL)	Q	Item No.	Price
ETF6 Pt100 xx Q	Pt100 (according to DIN EN 60751, class B)		●	IP 65, 4-wire	
ETF6 Pt100 100/80mm Q	Pt100	100 mm	●	2Z01-4121-0100-041	130,40 €
ETF6 Pt100 150/80mm Q	Pt100	150 mm	●	2Z01-4121-0100-051	134,97 €
ETF6 Pt100 200/80mm Q	Pt100	200 mm	●	2Z01-4121-0100-061	137,59 €
ETF6 Pt100 250/80mm Q	Pt100	250 mm	●	2Z01-4121-0100-071	140,08 €
ETF6 Pt100 400/80mm Q	Pt100	400 mm	●	2Z01-4121-0100-101	143,21 €
ETF6 Pt1000 xx Q	Pt1000 (according to DIN EN 60751, class B)			IP 65, 2-wire	
ETF6 Pt1000 100/80mm Q	Pt1000	100 mm	●	2Z05-4121-0100-041	130,40 €
ETF6 Pt1000 150/80mm Q	Pt1000	150 mm	●	2Z05-4121-0100-051	134,97 €
ETF6 Pt1000 200/80mm Q	Pt1000	200 mm	●	2Z05-4121-0100-061	137,59 €
ETF6 Pt1000 250/80mm Q	Pt1000	250 mm	●	2Z05-4121-0100-071	140,08 €
ETF6 Pt1000 400/80mm Q	Pt1000	400 mm	●	2Z05-4121-0100-101	143,11 €
Housing variant "Q":	Cable connection with M12 connector (male, 5-pin, A-code)				
Extra charge:	optionally also with two or other sensors			on request	

ACCESSORIES

Special accessories for M12 connector
see chapter Accessories!



Screw-in / immersion temperature sensor with neck tube,
with passive output

ETF6 - KV
with cable gland
(IP 65)



THERMASGARD® ETF 6 - KV		Screw-in / immersion temperature sensor with neck tube (with cable gland)		
Type / WG03	Sensor / Output	Installation length (EL)	Item No.	Price
ETF6 Pt100 xx KV		Pt100 (according to DIN EN 60751, class B)	IP 65, 4-wire	
ETF6 Pt100 100/80mm KV	Pt100	100 mm	1101-20C0-1023-000	96,93 €
ETF6 Pt100 150/80mm KV	Pt100	150 mm	1101-20C0-1033-000	101,51 €
ETF6 Pt100 200/80mm KV	Pt100	200 mm	1101-20C0-1043-000	104,12 €
ETF6 Pt100 250/80mm KV	Pt100	250 mm	1101-20C0-1053-000	106,62 €
ETF6 Pt100 400/80mm KV	Pt100	400 mm	1101-20C0-1083-000	109,64 €
ETF6 Pt1000 xx KV		Pt1000 (according to DIN EN 60751, class B)	IP 65, 2-wire	
ETF6 Pt1000 100/80mm KV	Pt1000	100 mm	1101-20C0-5021-000	99,01 €
ETF6 Pt1000 150/80mm KV	Pt1000	150 mm	1101-20C0-5031-000	104,12 €
ETF6 Pt1000 200/80mm KV	Pt1000	200 mm	1101-20C0-5041-000	105,62 €
ETF6 Pt1000 250/80mm KV	Pt1000	250 mm	1101-20C0-5051-000	106,76 €
ETF6 Pt1000 400/80mm KV	Pt1000	400 mm	1101-20C0-5081-000	110,61 €
Housing variant "KV":	Cable connection with cable gland			
Extra charge:	optionally also with two or other sensors		on request	

Duct temperature sensors / smoke gas temperature sensors,
including mounting flange, with passive output

RGTF 1
standard

Resistance thermometer / smoke gas temperature sensor **THERMASGARD® RGTF 1** with passive output, with connecting head made from aluminium (optionally with **cable gland** or **M12 connector** according to DIN EN 61076-2-101) and straight protective tube, incl. mounting flange.

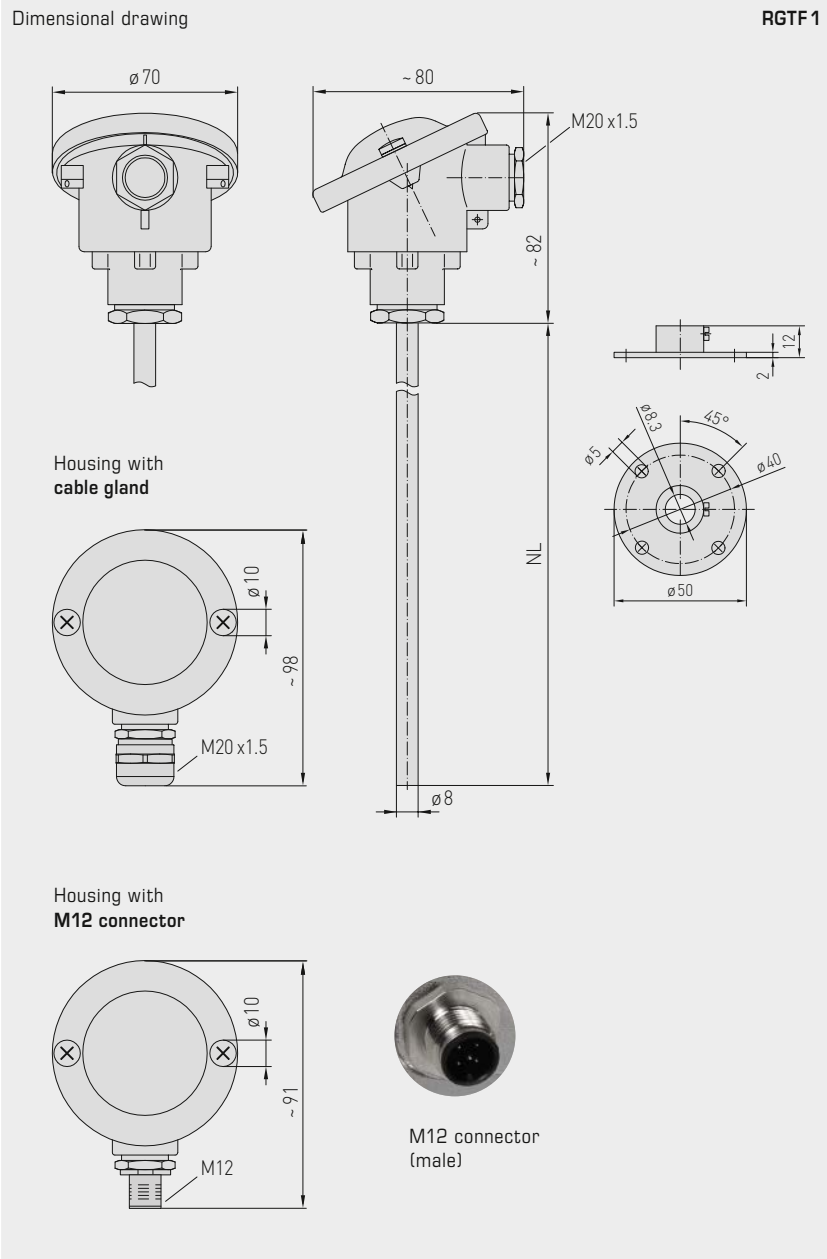
The duct sensor is used to detect relatively high temperatures in gaseous media, eg, for exhaust air and smoke gas temperature measurement.

TECHNICAL DATA

Measuring range:	-35...+600 °C (extended range limits from -100...+750 °C optional)
Sensor / output:	Pt100/Pt1000 (according to DIN EN 60 751, class B) (Perfect Sensor Protection)
Connection type:	2-wire connection (Pt1000) 4-wire connection (Pt100; optional Pt1000)
Testing current:	< 0.6 mA (Pt1000) < 1.0 mA (Pt100)
Insulating resistance:	≥ 100 MΩ, at +20 °C (500 V DC)
Electrical connection:	0.14 - 2.5 mm ² via terminal screws on ceramic base
Cable connection:	RGTF 1 (standard) adjusting screw made of metal (M20 x 1.5); RGTF 1-KV (optional) cable gland, brass, nickel-plated (M20 x 1.5; with strain relief, exchangeable, inner diameter 6 - 12 mm) RGTF 1-Q (optional) M12 connector according to DIN EN 61076-2-101 (male, 5-pin, A-code)
Dimensions:	see dimensional drawing
Connecting head:	form B, material aluminium, colour white aluminium (similar to RAL 9006), ambient temperature -20...+100 °C
Protective tube:	stainless steel V4A (1.4571), Ø = 8 mm inserted length (EL) = 200 - 500 mm (see table)
Process connection:	by mounting flange, stainless steel V2A (1.4305) (included in the scope of delivery)
Humidity:	< 95 % RH, non-precipitating air
Protection class:	III (according to EN 60 730)
Protection type:	IP 54 (according to EN 60 529) RGTF 1 IP 65 (according to EN 60 529) RGTF1-KV / RGTF1-Q



RGTF 1
Measuring insert with
ceramic tubelet



High-performance encapsulation against vibration, mechanical stress and humidity



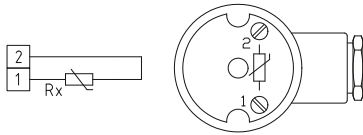
Duct temperature sensors / smoke gas temperature sensors,
including mounting flange, with passive output

2-wire connection
(Pt1000)

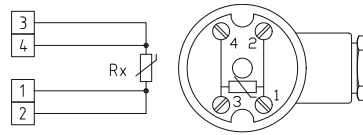
4-wire connection
(Pt100 / Pt1000 optional)



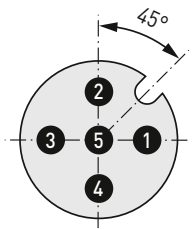
1x two-wire connection
(Pt1000)



1x four-wire connection
(Pt100 / Pt1000 optional)

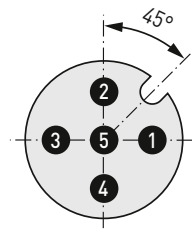


1x two-wire connection
pin assignment (M12)



- 1 Rx
- 2 Rx
- 3 frei / free
- 4 frei / free
- 5 frei / free

1x four-wire connection
pin assignment (M12)



- 1 Rx
- 2 Rx
- 3 Rx
- 4 Rx
- 5 frei / free



Duct temperature sensors / smoke gas temperature sensors, including mounting flange, with passive output

RGTF 1
standard
(IP 54)



THERMASGARD® RGTF 1		Duct temperature sensors / smoke gas temperature sensors, including mounting flange (Standard)		
Type / WG01	Sensor / Output	Installation length (EL)	Item No.	Price
RGTF1 Pt100 xx	Pt100 (according to DIN EN 60751, class B)		IP 54, 4-wire	
RGTF1 Pt100 200mm	Pt100	200 mm	1101-3040-1043-000	189,99 €
RGTF1 Pt100 250mm	Pt100	250 mm	1101-3040-1053-000	191,98 €
RGTF1 Pt100 300mm	Pt100	300 mm	1101-3040-1063-000	196,30 €
RGTF1 Pt100 500mm	Pt100	500 mm	1101-3040-1103-000	211,52 €
RGTF1 Pt1000 xx	Pt1000 (according to DIN EN 60751, class B)		IP 54, 2-wire	
RGTF1 Pt1000 200mm	Pt1000	200 mm	1101-3040-5041-000	183,57 €
RGTF1 Pt1000 250mm	Pt1000	250 mm	1101-3040-5051-000	185,54 €
RGTF1 Pt1000 300mm	Pt1000	300 mm	1101-3040-5061-000	189,86 €
RGTF1 Pt1000 500mm	Pt1000	500 mm	1101-3040-5101-000	195,49 €
Housing variant:	equipped as standard with pressure screw (IP 54), optional housing variants with cable gland (IP 65) or M12 connector (IP 65) see the next page!			
Extra charge:	other measuring ranges optional			on request

Duct temperature sensors / smoke gas temperature sensors,
including mounting flange, with passive output

S+S REGELTECHNIK

RGTF 1 - Q
with M12 connector
(IP 65)



THERMASGARD® RGTF 1 - Q		Duct temperature sensors / smoke gas temperature sensors, including mounting flange (with M12 connector)			
Type / WG03	Sensor / Output	Installation length (EL)	Q	Item No.	Price
RGTF1 Pt100 xx Q		Pt100 (according to DIN EN 60751, class B)		IP 65, 4-wire	
RGTF1 Pt100 200mm Q	Pt100	200 mm	●	2Z01-4131-0100-011	226,64 €
RGTF1 Pt100 250mm Q	Pt100	250 mm	●	2Z01-4131-0100-021	228,72 €
RGTF1 Pt100 300mm Q	Pt100	300 mm	●	2Z01-4131-0100-031	233,03 €
RGTF1 Pt100 500mm Q	Pt100	500 mm	●	2Z01-4131-0100-041	238,69 €
RGTF1 Pt1000 xx Q		Pt1000 (according to DIN EN 60751, class B)		IP 65, 2-wire	
RGTF1 Pt1000 200mm Q	Pt1000	200 mm	●	2Z05-4131-0100-011	226,64 €
RGTF1 Pt1000 250mm Q	Pt1000	250 mm	●	2Z05-4131-0100-021	228,72 €
RGTF1 Pt1000 300mm Q	Pt1000	300 mm	●	2Z05-4131-0100-031	233,03 €
RGTF1 Pt1000 500mm Q	Pt1000	500 mm	●	2Z05-4131-0100-041	238,69 €
Housing variant "Q":		Cable connection with M12 connector (male, 5-pin, A-code)			
Extra charge:	other measuring ranges optional			on request	

ACCESSORIES

Special accessories for M12 connector
see chapter Accessories!



Duct temperature sensors / smoke gas temperature sensors,
including mounting flange, with passive output

RGTF 1 - KV
with cable gland
(IP 65)



THERMASGARD® RGTF 1 - KV		Duct temperature sensors / smoke gas temperature sensors, including mounting flange (with cable gland)		
Type / WG01	Sensor / Output	Installation length (EL)	Item No.	Price
RGTF1 Pt100 xx KV	Pt100 (according to DIN EN 60751, class B)		IP65, 4-wire	
RGTF1 Pt100 200mm KV	Pt100	200 mm	1101-30D0-1043-000	193,29 €
RGTF1 Pt100 250mm KV	Pt100	250 mm	1101-30D0-1053-000	195,27 €
RGTF1 Pt100 300mm KV	Pt100	300 mm	1101-30D0-1063-000	199,58 €
RGTF1 Pt100 500mm KV	Pt100	500 mm	1101-30D0-1103-000	205,23 €
RGTF1 Pt1000 xx KV	Pt1000 (according to DIN EN 60751, class B)		IP65, 2-wire	
RGTF1 Pt1000 200mm KV	Pt1000	200 mm	1101-30D0-5041-000	193,29 €
RGTF1 Pt1000 250mm KV	Pt1000	250 mm	1101-30D0-5051-000	195,27 €
RGTF1 Pt1000 300mm KV	Pt1000	300 mm	1101-30D0-5061-000	199,58 €
RGTF1 Pt1000 500mm KV	Pt1000	500 mm	1101-30D0-5101-000	205,23 €
Housing variant "KV":	Cable connection with cable gland			
Extra charge:	other measuring ranges optional			on request

Screw-in temperature sensors / smoke gas temperature sensors with neck tube and passive output

RGTF 2
standard

Screw-in resistance thermometer / smoke gas temperature sensor with neck tube
THERMASGARD® RGTF 2 with passive output, with connecting head made from aluminium (optionally with **cable gland** or **M12 connector** according to DIN EN 61076-2-101) and straight protective tube.

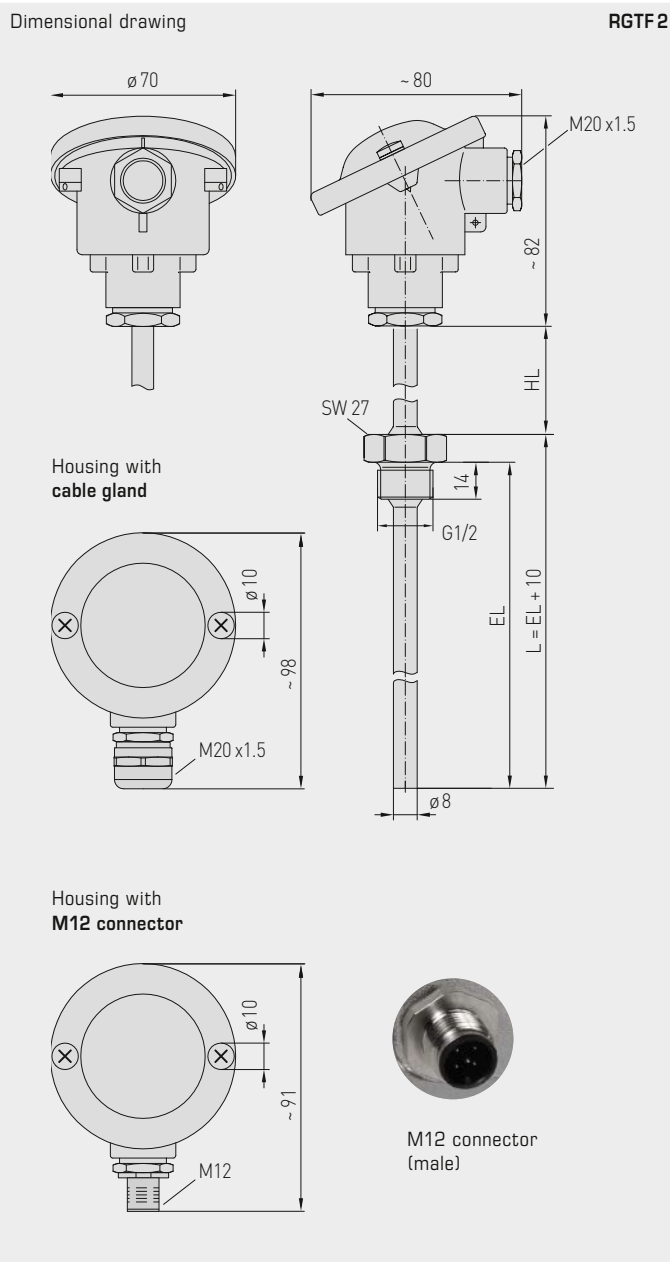
The duct sensor is used to detect relatively high temperatures in liquid or gaseous media, eg, for exhaust air and smoke gas temperature measurement..

TECHNICAL DATA

Measuring range:	-35...+600 °C (extended range limits from -100...+750 °C optional)
Sensor / output:	Pt100/Pt1000 (according to DIN EN 60 751, class B) (Perfect Sensor Protection)
Connection type:	2-wire connection (Pt1000) 4-wire connection (Pt100; optional Pt1000)
Testing current:	< 0.6 mA (Pt1000) < 1.0 mA (Pt100)
Insulating resistance:	≥ 100 MΩ, at +20 °C (500 V DC)
Electrical connection:	0.14 - 2.5 mm ² via terminal screws on ceramic base
Cable connection:	RGTF 2 (Standard) adjusting screw made of metal (M20 x 1.5); RGTF 2-KV (optional) cable gland , brass, nickel-plated (M20 x 1.5; with strain relief, exchangeable, inner diameter 6 - 12 mm) RGTF 2-Q (optional) M12 connector according to DIN EN 61076-2-101 (male, 5-pin, A-code)
Dimensions:	see dimensional drawing
Connecting head:	form B, material aluminium, colour white aluminium (similar to RAL 9006), ambient temperature -20...+100 °C
Protective tube:	stainless steel V4A (1.4571), G ½" straight pipe thread, wrench size 27 mm, p _{max} = 40 bar, Ø = 8 mm length of neck tube (HL) = 80 mm inserted length (EL) = 100 - 500 mm (see table)
Process connection:	screwed socket with G ½" straight pipe thread
Humidity:	< 95 % RH, non-precipitating air
Protection class:	III (according to EN 60 730)
Protection type:	IP 54 (according to EN 60 529) RGTF 2 IP 65 (according to EN 60 529) RGTF 2-KV / RGTF 2-Q



RGTF 2
Measuring insert with ceramic tubelet



RGTF 2
standard
(IP 54)



RGTF 2 - KV
with cable gland
(IP 65)



RGTF 2 - Q
with M12 connector
(IP 65)



High-performance encapsulation against vibration, mechanical stress and humidity



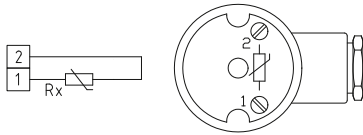
Screw-in temperature sensors / smoke gas temperature sensors
with neck tube and passive output

2-wire connection
(Pt1000)

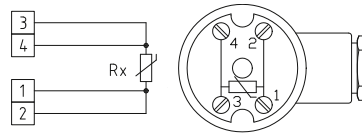
4-wire connection
(Pt100 / Pt1000 optional)



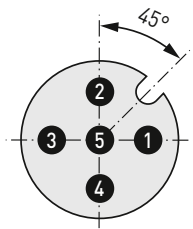
1x two-wire connection
(Pt1000)



1x four-wire connection
(Pt100 / Pt1000 optional)

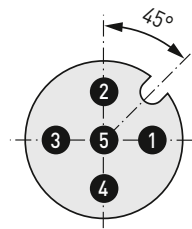


1x two-wire connection
pin assignment (M12)



- 1 Rx
- 2 Rx
- 3 frei / free
- 4 frei / free
- 5 frei / free

1x four-wire connection
pin assignment (M12)



- 1 Rx
- 2 Rx
- 3 Rx
- 4 Rx
- 5 frei / free

RGTF2
standard
(IP54)

THERMASGARD® RGTF 2		Screw-in temperature sensors / smoke gas temperature sensors with neck tube (standard)		
Type / WG01	Sensor / Output	Installation length (EL)	Item No.	Price
RGTF2 Pt100 xx	Pt100 (according to DIN EN 60751, class B)		IP54, 4-wire	
RGTF2 Pt100 100/80mm	Pt100	100 mm	1101-2090-1023-000	210,99 €
RGTF2 Pt100 150/80mm	Pt100	150 mm	1101-2090-1033-000	212,16 €
RGTF2 Pt100 200/80mm	Pt100	200 mm	1101-2090-1043-000	218,71 €
RGTF2 Pt100 250/80mm	Pt100	250 mm	1101-2090-1053-000	213,73 €
RGTF2 Pt100 300/80mm	Pt100	300 mm	1101-2090-1063-000	229,21 €
RGTF2 Pt100 500/80mm	Pt100	500 mm	1101-2090-1103-000	243,64 €
RGTF2 Pt1000 xx	Pt1000 (according to DIN EN 60751, class B)		IP54, 2-wire	
RGTF2 Pt1000 100/80	Pt1000	100 mm	1101-2090-5021-000	204,55 €
RGTF2 Pt1000 150/80	Pt1000	150 mm	1101-2090-5031-000	205,87 €
RGTF2 Pt1000 200/80	Pt1000	200 mm	1101-2090-5041-000	212,43 €
RGTF2 Pt1000 250/80	Pt1000	250 mm	1101-2090-5051-000	213,74 €
RGTF2 Pt1000 300/80	Pt1000	300 mm	1101-2090-5061-000	222,90 €
RGTF2 Pt1000 500/80	Pt1000	500 mm	1101-2090-5101-000	237,33 €
Housing variant:	equipped as standard with pressure screw (IP54), optional housing variants with cable gland (IP65) or M12 connector (IP65) see the next page!			
Extra charge:	other measuring ranges optional			on request

Screw-in temperature sensors / smoke gas temperature sensors
with neck tube and passive output

RGTF2 - Q
with M12 connector
(IP65)



THERMASGARD® RGTF 2 - Q		Screw-in temperature sensors / smoke gas temperature sensors with neck tube (with M12 connector)			
Type / WG03	Sensor / Output	Installation length (EL)	Q	Item No.	Price
RGTF2 Pt100 xx Q	Pt100 (according to DIN EN 60751, class B)		●	IP 65, 4-wire	
RGTF2 Pt100 100/80mm Q	Pt100	100 mm	●	2Z01-4141-0100-011	247,73 €
RGTF2 Pt100 150/80mm Q	Pt100	150 mm	●	2Z01-4141-0100-021	249,04 €
RGTF2 Pt100 200/80mm Q	Pt100	200 mm	●	2Z01-4141-0100-031	255,60 €
RGTF2 Pt100 250/80mm Q	Pt100	250 mm	●	2Z01-4141-0100-041	256,91 €
RGTF2 Pt100 300/80mm Q	Pt100	300 mm	●	2Z01-4141-0100-051	266,08 €
RGTF2 Pt100 500/80mm Q	Pt100	500 mm	●	2Z01-4141-0100-061	280,51 €
RGTF2 Pt1000 xx Q	Pt1000 (according to DIN EN 60751, class B)			IP 65, 2-wire	
RGTF2 Pt1000 100/80mm Q	Pt1000	100 mm	●	2Z05-4141-0100-011	247,73 €
RGTF2 Pt1000 150/80mm Q	Pt1000	150 mm	●	2Z05-4141-0100-021	249,04 €
RGTF2 Pt1000 200/80mm Q	Pt1000	200 mm	●	2Z05-4141-0100-031	255,60 €
RGTF2 Pt1000 250/80mm Q	Pt1000	250 mm	●	2Z05-4141-0100-041	256,91 €
RGTF2 Pt1000 300/80mm Q	Pt1000	300 mm	●	2Z05-4141-0100-051	266,08 €
RGTF2 Pt1000 500/80mm Q	Pt1000	500 mm	●	2Z05-4141-0100-061	280,51 €
Housing variant "Q":	Cable connection with M12 connector (male, 5-pin, A-code)				
Extra charge:	other measuring ranges optional			on request	

ACCESSORIES

Special accessories for M12 connector
see chapter Accessories!

RGTF2 - KV
with cable gland
(IP 65)

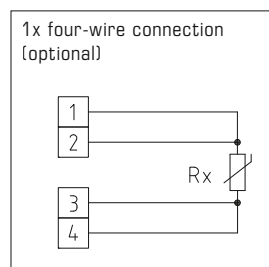
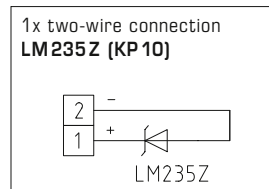
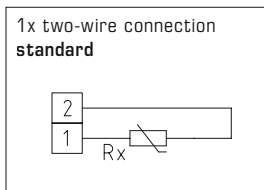
THERMASGARD® RGTF 2 - KV		Screw-in temperature sensors / smoke gas temperature sensors with neck tube (with cable gland)		
Type / WG01	Sensor / Output	Installation length (EL)	Item No.	Price
RGTF2 Pt100 xx KV	Pt100 (according to DIN EN 60751, class B)		IP 65, 4-wire	
RGTF2 Pt100 100/80mm KV	Pt100	100 mm	1101-20D0-1023-000	214,28 €
RGTF2 Pt100 150/80mm KV	Pt100	150 mm	1101-20D0-1033-000	215,59 €
RGTF2 Pt100 200/80mm KV	Pt100	200 mm	1101-20D0-1043-000	222,15 €
RGTF2 Pt100 250/80mm KV	Pt100	250 mm	1101-20D0-1053-000	223,44 €
RGTF2 Pt100 300/80mm KV	Pt100	300 mm	1101-20D0-1063-000	232,62 €
RGTF2 Pt100 500/80mm KV	Pt100	500 mm	1101-20D0-1103-000	247,06 €
RGTF2 Pt1000 xx KV	Pt1000 (according to DIN EN 60751, class B)		IP 65, 2-wire	
RGTF2 Pt1000 100/80mm KV	Pt1000	100 mm	1101-20D0-5021-000	214,28 €
RGTF2 Pt1000 150/80mm KV	Pt1000	150 mm	1101-20D0-5031-000	215,59 €
RGTF2 Pt1000 200/80mm KV	Pt1000	200 mm	1101-20D0-5041-000	222,15 €
RGTF2 Pt1000 250/80mm KV	Pt1000	250 mm	1101-20D0-5051-000	223,44 €
RGTF2 Pt1000 300/80mm KV	Pt1000	300 mm	1101-20D0-5061-000	232,62 €
RGTF2 Pt1000 500/80mm KV	Pt1000	500 mm	1101-20D0-5101-000	247,06 €
Housing variant "KV":	Cable connection with cable gland			
Extra charge:	other measuring ranges optional			on request

Sleeve sensor / cable temperature sensor
duct / immersion / screw-in temperature sensor,
with passive output

The sleeve sensor / cable sensor **THERMASGARD® HTF** is used to measure temperatures in liquid and gaseous media. It can be used as a duct sensor and - if installed in an immersion sleeve - as an immersion and screw-in sensor. The sleeve length varies, depending on request, from 30..400 mm (standard is 50 mm respectively 200 mm), the cable length is arbitrary (standard is 1.5 m). Depending on application, with silicone, glass fibre, or PVC leads, for two-wire or four-wire connection. For direct, continuous use in liquids, please use our **THE** immersion sleeves (see type table).

TECHNICAL DATA

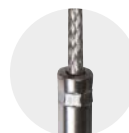
Measuring ranges:	-35...+105 °C PVC , LiYY, 2 x 0.25 mm ² -50...+180 °C Silicone , SiHF, 2 x 0.25 mm ² -50...+250 °C PTFE , 2 x 1.0 mm ² -50...+350 °C glass fibre , 2 x 0.25 mm ² ends stripped with wire end sleeves (extended measuring range limits optional, depending on connection leads, T_{max} Ni1000 = +180 °C, T_{max} NTC / Ni1000 TK5000 = +150 °C, T_{max} LM235Z = +125 °C)
Sensors / output:	see table, passive (optional also with 2 sensors) (Perfect Sensor Protection with IP68)
Connection type:	2-wire connection (4-wire connection optional)
Testing current:	< 0.6 mA (Pt1000) < 1.0 mA (Pt100) < 0.3 mA (Ni1000, Ni1000 TK5000) < 2.0 mW (NTC xx) 400 µA...5 mA (LM235Z)
Protective tube	sensor sleeve made of stainless steel, V4A (1.4571), Ø = 6 mm HTF50 nominal length (NL) = 50 mm HTF200 nominal length (NL) = 200 mm (other optional dimensions also available, nominal length (NL) = 30...400 mm)
Connection cable:	cable length (KL) = 1.5 m (optional also 3 m, 5 m, 8 m, 10 m)
Insulating resistance:	≥ 100 MΩ, at +20 °C (500 V DC)
Process connection:	using immersion sleeves THE (see table) or mounting flange, plastic (see table) (optionally in galvanised steel, see chapter Accessories)
Permitted humidity:	< 95 % RH, non-precipitating air
Protection class:	III (according to EN 60 730)
Protection type:	IP65 (according to EN 60 529) sleeve humidity-tight (standard) IP68 (according to EN 60 529) sleeve water-tight (optional) IP54 (according to EN 60 529) with glass fibre cable (optional)
ACCESSORIES	
MF-06-K	Mounting flange , plastic, 56.8 x 84.3 mm, Ø = 6.2 mm tube gland, T _{max} = +100 °C (is not included in scope of delivery)
THE-ms/xx	Immersion sleeve, brass, nickel-plated / galvanised , Ø = 9 mm, inserted length (EL) = 50 - 250 mm (see table), inner diameter of socket Ø = 5.2 mm, with adjusting screw M12 x 1.5 T _{max} = +130 °C, p _{max} = 16 bar
THE-VA/xx	Immersion sleeve, stainless steel, V4A (1.4571), Ø = 9 mm, inserted length (EL) = 50 - 400 mm (see table), inner diameter of socket Ø = 5.2 mm, with adjusting screw M12 x 1.5 T _{max} = +200 °C, p _{max} = 40 bar



IP65 (standard)
 humidity-tight



IP68 (optional)
 water-tight
Perfect Sensor Protection



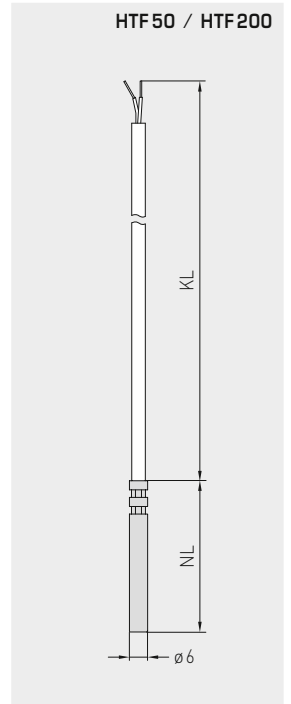
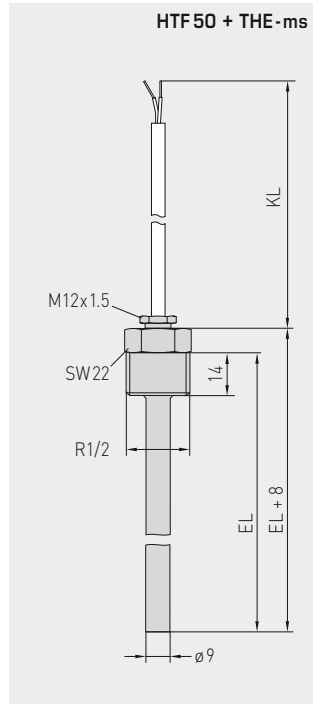
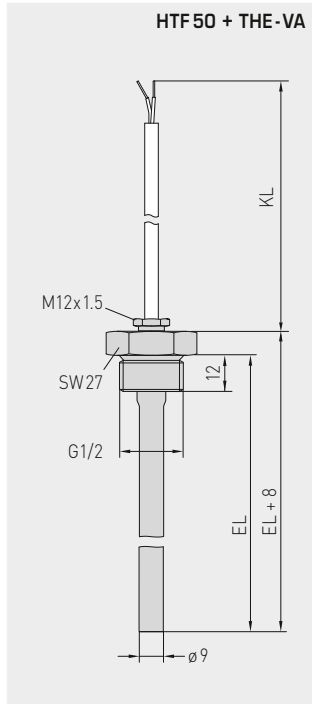
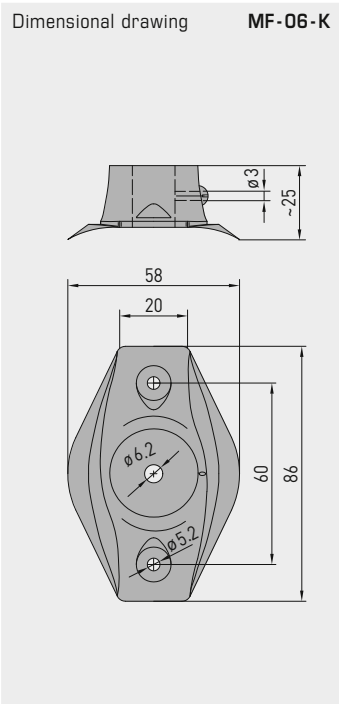
IP54 (optional)
 with **glass fibre** cable

MF-06-K
 Mounting flange,
 plastic
 (optional)



High-performance encapsulation against
 vibration, mechanical stress and humidity

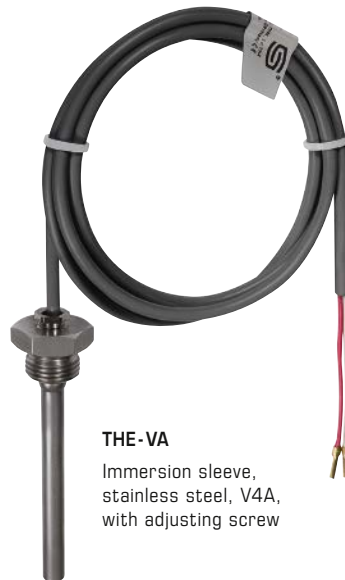




HTF200 + MF-06-K
with accessory mounting flange
(see type table)
as duct temperature sensor

HTF50 + THE-xx
with accessory immersion sleeve
(see type table)
as immersion / screw-in temperature sensor

HTF50
with PVC / silicone cable
(standard)



Sleeve sensor / cable temperature sensor
 duct / immersion / screw-in temperature sensor,
 with passive output

THERMASGARD® HTF 50 sleeve sensor / cable temperature sensor (NL = 50 mm)

Type / WG03	Cable material	Cable length	Measuring Range	Protection class	Item No. Sensor	Price
HTF50 PT100					Pt 100, class B	
HTF50 Pt100 PVC 1,5M	PVC	1.5 m	-35...+105 °C	IP65 *	1101-6030-1211-110	14,10 €
HTF50 Pt100 Silikon 1,5M	Silicone	1.5 m	-50...+180 °C	IP65 *	1101-6030-1211-120	17,72 €
HTF50 Pt100 PTFE 1,5M	PTFE	1.5 m	-50...+250 °C	IP65 *	1101-6030-1211-140	59,46 €
HTF50 Pt100	Glass Fibre	1.5 m	-50...+350 °C	IP54	1101-6030-1211-050	49,38 €
HTF50 Pt100 PVC 3M	PVC	3 m	-35...+105 °C	IP65 *	1101-6030-1231-110	17,07 €
HTF50 Pt100 Silikon 3M	Silicone	3 m	-50...+180 °C	IP65 *	1101-6030-1231-120	22,09 €
HTF50 Pt100 PVC 5M	PVC	5 m	-35...+105 °C	IP65 *	1101-6030-1251-110	21,00 €
HTF50 Pt100 Silikon 5M	Silicone	5 m	-50...+180 °C	IP65 *	1101-6030-1251-120	27,94 €
HTF50 Pt100 PVC 8M	PVC	8 m	-35...+105 °C	IP65 *	1101-6030-1281-110	26,93 €
HTF50 Pt100 Silikon 8M	Silicone	8 m	-50...+180 °C	IP65 *	1101-6030-1281-120	36,74 €
HTF50 Pt100 PVC 10M	PVC	10 m	-35...+105 °C	IP65 *	1101-6030-1301-110	30,87 €
HTF50 Pt100 Silikon 10M	Silicone	10 m	-50...+180 °C	IP65 *	1101-6030-1301-120	42,61 €
HTF50 PT1000					Pt 1000, class B	
HTF50 Pt1000 PVC 1,5M	PVC	1.5 m	-35...+105 °C	IP65 *	1101-6030-5211-110	16,60 €
HTF50 Pt1000 Silikon 1,5M	Silicone	1.5 m	-50...+180 °C	IP65 *	1101-6030-5211-120	20,39 €
HTF50 Pt1000 PTFE 1,5M	PTFE	1.5 m	-50...+250 °C	IP65 *	1101-6030-5211-140	59,61 €
HTF50 Pt1000	Glass Fibre	1.5 m	-50...+350 °C	IP54	1101-6030-5211-050	49,38 €
HTF50 Pt1000 PVC 3M	PVC	3 m	-35...+105 °C	IP65 *	1101-6030-5231-110	19,56 €
HTF50 Pt1000 Silikon 3M	Silicone	3 m	-50...+180 °C	IP65 *	1101-6030-5231-120	24,80 €
HTF50 Pt1000 PVC 5M	PVC	5 m	-35...+105 °C	IP65 *	1101-6030-5251-110	23,50 €
HTF50 Pt1000 Silikon 5M	Silicone	5 m	-50...+180 °C	IP65 *	1101-6030-5251-120	30,65 €
HTF50 Pt1000 PVC 8M	PVC	8 m	-35...+105 °C	IP65 *	1101-6030-5281-110	29,43 €
HTF50 Pt1000 Silikon 8M	Silicone	8 m	-50...+180 °C	IP65 *	1101-6030-5281-120	39,43 €
HTF50 Pt1000 PVC 10M	PVC	10 m	-35...+105 °C	IP65 *	1101-6030-5301-110	33,37 €
HTF50 Pt1000 Silikon 10M	Silicone	10 m	-50...+180 °C	IP65 *	1101-6030-5301-120	45,28 €
HTF50 PT1000 A					Pt 1000 A, class A-TGA	
HTF50 Pt1000A PVC 1,5M	PVC	1.5 m	-35...+105 °C	IP65 *	1101-6030-6211-110	24,35 €
HTF50 Pt1000A Silikon 1,5M	Silicone	1.5 m	-50...+180 °C	IP65 *	1101-6030-6211-120	27,96 €
HTF50 Ni1000					Ni 1000	
HTF50 Ni1000 PVC 1,5M	PVC	1.5 m	-35...+105 °C	IP65 *	1101-6030-9211-110	16,13 €
HTF50 Ni1000 Silikon 1,5M	Silicone	1.5 m	-50...+180 °C	IP65 *	1101-6030-9211-120	20,09 €
HTF50 Ni1000 PVC 3M	PVC	3 m	-35...+105 °C	IP65 *	1101-6030-9231-110	19,10 €
HTF50 Ni1000 Silikon 3M	Silicone	3 m	-50...+180 °C	IP65 *	1101-6030-9231-120	24,46 €
HTF50 Ni1000 PVC 5M	PVC	5 m	-35...+105 °C	IP65 *	1101-6030-9251-110	23,05 €
HTF50 Ni1000 Silikon 5M	Silicone	5 m	-50...+180 °C	IP65 *	1101-6030-9251-120	30,31 €
HTF50 Ni1000 PVC 8M	PVC	8 m	-35...+105 °C	IP65 *	1101-6030-9281-110	28,96 €
HTF50 Ni1000 Silikon 8M	Silicone	8 m	-50...+180 °C	IP65 *	1101-6030-9281-120	39,11 €
HTF50 Ni1000 PVC 10M	PVC	10 m	-35...+105 °C	IP65 *	1101-6030-9301-110	32,90 €
HTF50 Ni1000 Silikon 10M	Silicone	10 m	-50...+180 °C	IP65 *	1101-6030-9301-120	44,96 €
HTF50 NiTK					Ni 1000 TK 5000	
HTF50 NiTK PVC 1,5M	PVC	1.5 m	-35...+105 °C	IP65 *	1101-6031-0211-110	20,33 €
HTF50 NiTK Silikon 1,5M	Silicone	1.5 m	-50...+150 °C	IP65 *	1101-6031-0211-120	23,99 €
HTF50 NiTK PVC 3M	PVC	3 m	-35...+105 °C	IP65 *	1101-6031-0231-110	23,31 €
HTF50 NiTK Silikon 3M	Silicone	3 m	-50...+150 °C	IP65 *	1101-6031-0231-120	28,39 €
HTF50 NiTK PVC 5M	PVC	5 m	-35...+105 °C	IP65 *	1101-6031-0251-110	27,25 €
HTF50 NiTK Silikon 5M	Silicone	5 m	-50...+150 °C	IP65 *	1101-6031-0251-120	34,23 €
HTF50 NiTK PVC 8M	PVC	8 m	-35...+105 °C	IP65 *	1101-6031-0281-110	33,17 €
HTF50 NiTK Silikon 8M	Silicone	8 m	-50...+150 °C	IP65 *	1101-6031-0281-120	43,03 €
HTF50 NiTK PVC 10M	PVC	10 m	-35...+105 °C	IP65 *	1101-6031-0301-110	37,11 €
HTF50 NiTK Silikon 10M	Silicone	10 m	-50...+150 °C	IP65 *	1101-6031-0301-120	48,88 €
HTF50 LM235Z					LM235Z	
HTF50 LM235Z PVC 1,5M	PVC	1.5 m	-35...+105 °C	IP65 *	1101-6032-1211-110	14,44 €
HTF50 LM235Z Silikon 1,5M	Silicone	1.5 m	-40...+125 °C	IP65 *	1101-6032-1211-120	18,38 €
HTF50 LM235Z PVC 3M	PVC	3 m	-35...+105 °C	IP65 *	1101-6032-1231-110	17,39 €
HTF50 LM235Z Silikon 3M	Silicone	3 m	-40...+125 °C	IP65 *	1101-6032-1231-120	22,75 €
HTF50 LM235Z PVC 5M	PVC	5 m	-35...+105 °C	IP65 *	1101-6032-1251-110	21,35 €
HTF50 LM235Z Silikon 5M	Silicone	5 m	-40...+125 °C	IP65 *	1101-6032-1251-120	28,60 €
HTF50 LM235Z PVC 8M	PVC	8 m	-35...+105 °C	IP65 *	1101-6032-1281-110	27,26 €
HTF50 LM235Z Silikon 8M	Silicone	8 m	-40...+125 °C	IP65 *	1101-6032-1281-120	37,41 €
HTF50 LM235Z PVC 10M	PVC	10 m	-35...+105 °C	IP65 *	1101-6032-1301-110	31,21 €
HTF50 LM235Z Silikon 10M	Silicone	10 m	-40...+125 °C	IP65 *	1101-6032-1301-120	43,26 €

Continued on next page ...



THERMASGARD® HTF 50 sleeve sensor / cable temperature sensor (NL = 50 mm)						
Type / WG03	Cable material	Cable length	Measuring Range	Protection class	Item No. Sensor	Price
HTF50 NTC1.8K					NTC 1.8K	
HTF50 NTC1,8K PVC 1,5M	PVC	1.5 m	-35...+105°C	IP65 *	1101-6031-2211-110	13,64 €
HTF50 NTC1,8K Silikon 1,5M	Silicone	1.5 m	-50...+150°C	IP65 *	1101-6031-2211-120	15,67 €
HTF50 NTC1,8K PVC 3M	PVC	3 m	-35...+105°C	IP65 *	1101-6031-2231-110	16,61 €
HTF50 NTC1,8K Silikon 3M	Silicone	3 m	-50...+150°C	IP65 *	1101-6031-2231-120	20,09 €
HTF50 NTC1,8K PVC 5M	PVC	5 m	-35...+105°C	IP65 *	1101-6031-2251-110	20,56 €
HTF50 NTC1,8K Silikon 5M	Silicone	5 m	-50...+150°C	IP65 *	1101-6031-2251-120	25,94 €
HTF50 NTC1,8K PVC 8M	PVC	8 m	-35...+105°C	IP65 *	1101-6031-2281-110	26,46 €
HTF50 NTC1,8K Silikon 8M	Silicone	8 m	-50...+150°C	IP65 *	1101-6031-2281-120	34,70 €
HTF50 NTC1,8K PVC 10M	PVC	10 m	-35...+105°C	IP65 *	1101-6031-2301-110	30,42 €
HTF50 NTC1,8K Silikon 10M	Silicone	10 m	-50...+150°C	IP65 *	1101-6031-2301-120	40,57 €
HTF50 NTC10K					NTC 10K	
HTF50 NTC10K PVC 1,5M	PVC	1.5 m	-35...+105°C	IP65 *	1101-6031-5211-110	13,64 €
HTF50 NTC10K Silikon 1,5M	Silicone	1.5 m	-50...+150°C	IP65 *	1101-6031-5211-120	15,67 €
HTF50 NTC10K PVC 3M	PVC	3 m	-35...+105°C	IP65 *	1101-6031-5231-110	16,61 €
HTF50 NTC10K Silikon 3M	Silicone	3 m	-50...+150°C	IP65 *	1101-6031-5231-120	20,09 €
HTF50 NTC10K PVC 5M	PVC	5 m	-35...+105°C	IP65 *	1101-6031-5251-110	20,56 €
HTF50 NTC10K Silikon 5M	Silicone	5 m	-50...+150°C	IP65 *	1101-6031-5251-120	25,94 €
HTF50 NTC10K PVC 8M	PVC	8 m	-35...+105°C	IP65 *	1101-6031-5281-110	26,46 €
HTF50 NTC10K Silikon 8M	Silicone	8 m	-50...+150°C	IP65 *	1101-6031-5281-120	34,70 €
HTF50 NTC10K PVC 10M	PVC	10 m	-35...+105°C	IP65 *	1101-6031-5301-110	30,42 €
HTF50 NTC10K Silikon 10M	Silicone	10 m	-50...+150°C	IP65 *	1101-6031-5301-120	40,57 €
HTF50 NTC20K					NTC 20K	
HTF50 NTC20K PVC 1,5M	PVC	1.5 m	-35...+105°C	IP65 *	1101-6031-6211-110	13,64 €
HTF50 NTC20K Silikon 1,5M	Silicone	1.5 m	-50...+150°C	IP65 *	1101-6031-6211-120	15,67 €
HTF50 NTC20K PVC 3M	PVC	3 m	-35...+105°C	IP65 *	1101-6031-6231-110	16,61 €
HTF50 NTC20K Silikon 3M	Silicone	3 m	-50...+150°C	IP65 *	1101-6031-6231-120	20,09 €
HTF50 NTC20K PVC 5M	PVC	5 m	-35...+105°C	IP65 *	1101-6031-6251-110	20,56 €
HTF50 NTC20K Silikon 5M	Silicone	5 m	-50...+150°C	IP65 *	1101-6031-6251-120	25,94 €
HTF50 NTC20K PVC 8M	PVC	8 m	-35...+105°C	IP65 *	1101-6031-6281-110	26,46 €
HTF50 NTC20K Silikon 8M	Silicone	8 m	-50...+150°C	IP65 *	1101-6031-6281-120	34,70 €
HTF50 NTC20K PVC 10M	PVC	10 m	-35...+105°C	IP65 *	1101-6031-6301-110	30,42 €
HTF50 NTC20K Silikon 10M	Silicone	10 m	-50...+150°C	IP65 *	1101-6031-6301-120	40,57 €
Extra charge:	* Protection type IP68 (Sensor sleeve watertight compound-filled) Other sensors optional Cable length (KL) 3 m, 5 m, 8 m, 10 m (standard lengths) Connection type 4-wire (4-conductor)					3,50 € on request on request on request
For special orders please specify: (possible for 25 or more pieces)	Type sensor length (NL), sensor, cable material, connection type, cable length (KL), protection type e.g. HTF-30mm, Pt1000, PVC, 2-wire, 10m, IP68; HTF-50mm, Ni1000 TK5000, silicon, 4-wire, 5m, IP65					

HTF 50
(NL = 50 mm)
with PVC / silicone cable

HTF 50
(NL = 50 mm)
with glass fibre cable



IP 65 (standard)
humidity-tight



IP 68 (optional)
water-tight
Perfect Sensor Protection



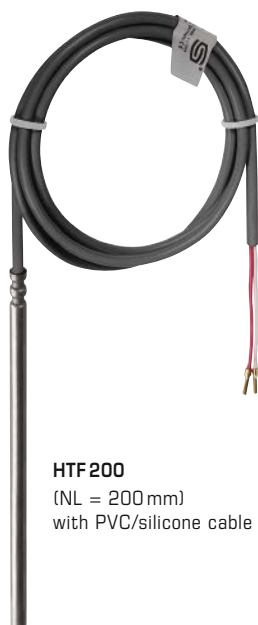
IP 54 (optional)
with glass fibre cable



Sleeve sensor / cable temperature sensor
 duct / immersion / screw-in temperature sensor,
 with passive output

THERMASGARD® HTF 200 sleeve sensor / cable temperature sensor (NL = 200 mm)

Type / WG03	Cable material	Cable length	Measuring Range	Protection class	Item No. Sensor	Price
HTF200 PT100					Pt 100, class B	
HTF200 Pt100 PVC 1,5M	PVC	1.5 m	-35...+105 °C	IP 65 *	1101-6090-1211-110	20,98 €
HTF200 Pt100 Silikon 1,5M	Silicone	1.5 m	-50...+180 °C	IP 65 *	1101-6090-1211-120	24,92 €
HTF200 PT1000					Pt 1000, class B	
HTF200 Pt1000 PVC 1,5M	PVC	1.5 m	-35...+105 °C	IP 65 *	1101-6090-5211-110	20,98 €
HTF200 Pt1000 Silikon 1,5M	Silicone	1.5 m	-50...+180 °C	IP 65 *	1101-6090-5211-120	24,92 €
HTF200 PT1000 A					Pt 1000 A, class A-TGA	
HTF200 Pt1000A PVC 1,5M	PVC	1.5 m	-35...+105 °C	IP 65 *	1101-6090-6211-110	28,55 €
HTF200 Pt1000A Silikon 1,5M	Silicone	1.5 m	-50...+180 °C	IP 65 *	1101-6090-6211-120	32,51 €
HTF200 Ni1000					Ni 1000	
HTF200 Ni1000 PVC 1,5M	PVC	1.5 m	-35...+105 °C	IP 65 *	1101-6090-9211-110	21,38 €
HTF200 Ni1000 Silikon 1,5M	Silicone	1.5 m	-50...+180 °C	IP 65 *	1101-6090-9211-120	24,92 €
HTF200 NiTK					Ni 1000 TK 5000	
HTF200 NiTK PVC 1,5M	PVC	1.5 m	-35...+105 °C	IP 65 *	1101-6091-0211-110	22,43 €
HTF200 NiTK Silikon 1,5M	Silicone	1.5 m	-50...+150 °C	IP 65 *	1101-6091-0211-120	25,97 €
HTF200 LM235Z					LM 235 Z	
HTF200 LM235Z PVC 1,5M	PVC	1.5 m	-35...+105 °C	IP 65 *	1101-6092-1211-110	21,63 €
HTF200 LM235Z Silikon 1,5M	Silicone	1.5 m	-40...+125 °C	IP 65 *	1101-6092-1211-120	25,57 €
HTF200 NTC1,8K					NTC 1.8K	
HTF200 NTC1,8K PVC 1,5M	PVC	1.5 m	-35...+105 °C	IP 65 *	1101-6091-2211-110	20,98 €
HTF200 NTC1,8K Silikon 1,5M	Silicone	1.5 m	-50...+150 °C	IP 65 *	1101-6091-2211-120	24,92 €
HTF200 NTC10K					NTC 10K	
HTF200 NTC10K PVC 1,5M	PVC	1.5 m	-35...+105 °C	IP 65 *	1101-6091-5211-110	20,98 €
HTF200 NTC10K Silikon 1,5M	Silicone	1.5 m	-50...+150 °C	IP 65 *	1101-6091-5211-120	24,92 €
HTF200 NTC20K					NTC 20K	
HTF200 NTC20K PVC 1,5M	PVC	1.5 m	-35...+105 °C	IP 65 *	1101-6091-6211-110	20,98 €
HTF200 NTC20K Silikon 1,5M	Silicone	1.5 m	-50...+150 °C	IP 65 *	1101-6091-6211-120	24,92 €
Extra charge:	* Protection type IP 68 (Sensor sleeve watertight compound-filled) Other sensors optional Cable length (KL) 3 m, 5 m, 8 m, 10 m (standard lengths) Connection type 4-wire (4-conductor)					3,50 € on request on request on request
For special orders please specify: (possible for 25 or more pieces)	Type sensor length (NL), sensor, cable material, connection type, cable length (KL), protection type e. g. HTF-200 mm, Pt1000, PVC, 2-wire, 10 m, IP 68; HTF-400 mm, Ni1000 TK5000, silicon, 4-wire, 5 m, IP 65					



HTF 200
 (NL = 200 mm)
 with PVC/silicone cable



IP 65 (standard)
 humidity-tight

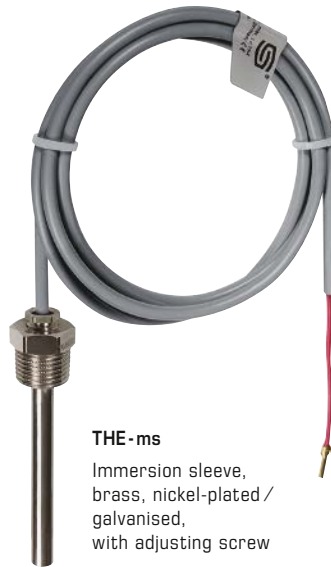


IP 68 (optional)
 water-tight
Perfect Sensor Protection

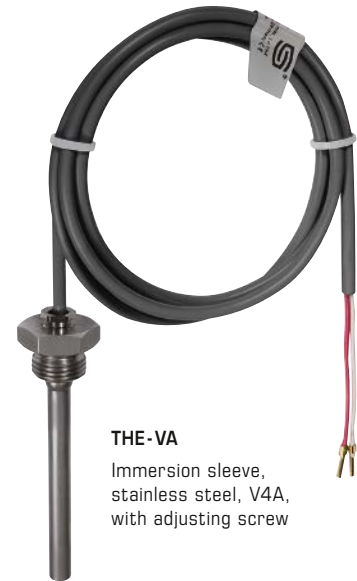
THERMASGARD® HTF 50 accessory as immersion / screw-in sensor temperature sensor (ESTF)				
Type / WG01	Description		Item No.	Price
THE -ms / xx				
	Immersion sleeve, brass, nickel-plated / galvanised, Ø 9 mm, inner diameter of socket Ø = 5.2 mm, with adjusting screw M12 x 1.5			
THE-MS 50MM	p _{max} = 16 bar, T _{max} = +130 °C	EL = 50 mm	7100-0011-6010-002	10,77 €
THE-MS 100MM	p _{max} = 16 bar, T _{max} = +130 °C	EL = 100 mm	7100-0011-6020-002	11,64 €
THE-MS 150MM	p _{max} = 16 bar, T _{max} = +130 °C	EL = 150 mm	7100-0011-6030-002	12,07 €
THE-MS 200MM	p _{max} = 16 bar, T _{max} = +130 °C	EL = 200 mm	7100-0011-6040-002	12,92 €
THE-MS 250MM	p _{max} = 16 bar, T _{max} = +130 °C	EL = 250 mm	7100-0011-6050-002	14,47 €
THE -VA / xx				
	Immersion sleeve, stainless steel, V4A (1.4571), Ø 9 mm, inner diameter of socket Ø = 5.2 mm, with adjusting screw M12 x 1.5			
THE-VA 50MM	p _{max} = 40 bar, T _{max} = +200 °C	EL = 50 mm	7100-0012-6010-002	21,32 €
THE-VA 100MM	p _{max} = 40 bar, T _{max} = +200 °C	EL = 100 mm	7100-0012-6020-002	23,55 €
THE-VA 150MM	p _{max} = 40 bar, T _{max} = +200 °C	EL = 150 mm	7100-0012-6030-002	25,29 €
THE-VA 200MM	p _{max} = 40 bar, T _{max} = +200 °C	EL = 200 mm	7100-0012-6040-002	26,67 €
THE-VA 250MM	p _{max} = 40 bar, T _{max} = +200 °C	EL = 250 mm	7100-0012-6050-002	33,15 €
THE-VA 300MM	p _{max} = 40 bar, T _{max} = +200 °C	EL = 300 mm	7100-0012-6060-002	34,63 €
THE-VA 400MM	p _{max} = 40 bar, T _{max} = +200 °C	EL = 400 mm	7100-0012-6080-002	35,75 €
xx = (EL)	Other installation lengths on request			

HTF 50
(NL = 50 mm)
with THE immersion sleeve
as immersion / screw-in temperature sensor

MF-06-K
Mounting flange,
plastic
(optional)



THE -ms
Immersion sleeve,
brass, nickel-plated /
galvanised,
with adjusting screw



THE -VA
Immersion sleeve,
stainless steel, V4A,
with adjusting screw

THERMASGARD® HTF 50 accessories (standard)				
THERMASGARD® HTF 200 accessories (standard)				
Type / WG01	Description	T _{max}	Item No.	Price
MF				
MF-06-K	Mounting flange plastic, 56.8 x 84.3 mm, Ø 6.2 mm tube gland (not included in scope of delivery)	+100 °C	7100-0030-1000-000	6,30 €
Note:	For further information see last chapter!			

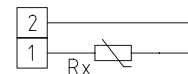
Surface contact temperature sensors /
surface temperature sensors,
with passive output

Small surface contact resistance thermometer in aluminium enclosure (cable sensor).
The surface sensor **THERMASGARD® OFTF** is used for temperature detection on flat or slightly convex surfaces, for instance for surface temperature measurement at windows, for monitoring formation of condensate, or as heating surface sensor, e.g. at windows or walls.

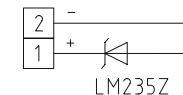
TECHNICAL DATA

Measuring range:	-30...+105 °C
Sensors / output:	see table, passive (Perfect Sensor Protection with IP68)
Connection type:	2-wire connection
Testing current:	< 0.6 mA (Pt1000) < 1.0 mA (Pt100) < 0.3 mA (Ni1000, Ni1000 TK5000) < 2.0 mW (NTC xx) 400 µA...5 mA (LM235Z)
Process connection:	attachment to the surface to be measured through fixing hole in the sensor head or by suitable adhesive
Protective sleeve:	aluminium
Dimensions:	8 x 8 x 50 mm
Connecting cable:	PVC; 1.5 m, LiYY, 2 x 0.25 mm ² , ends stripped with wire end sleeves (optional with silicone cable SiHF, up to +180 °C)
Insulating resistance:	≥ 100 MΩ, at +20 °C (500 V DC)
Permissible air humidity:	< 95 % RH, non-precipitating air
Protection class:	III (according to EN 60 730)
Protection type:	IP65 (according to EN 60 529) sleeve humidity-tight (standard) IP68 (according to EN 60 529) sleeve water-tight (optional)

1x two-wire connection
standard



1x two-wire connection
LM235Z (KP 10)

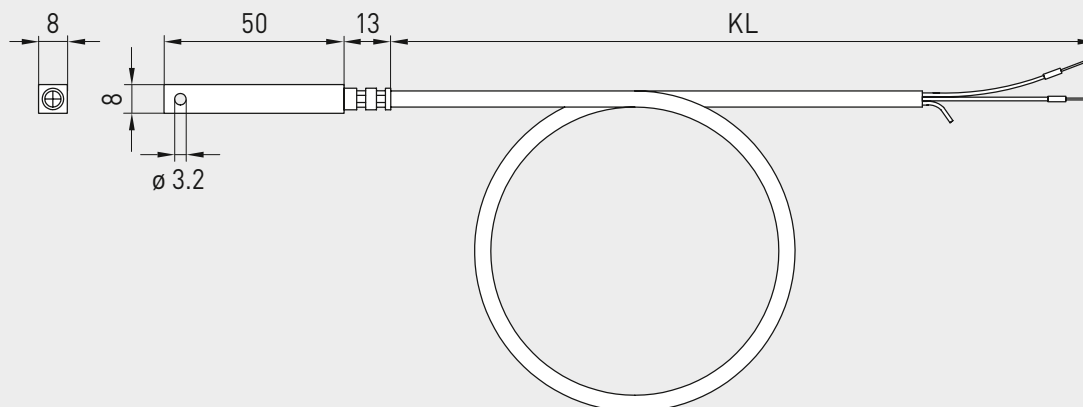


High-performance encapsulation against
vibration, mechanical stress and humidity



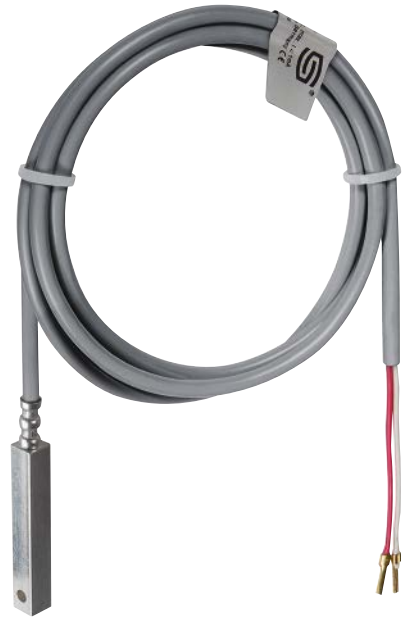
Dimensional drawing

OFTF





OUTF



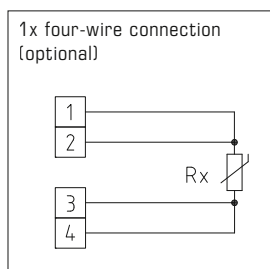
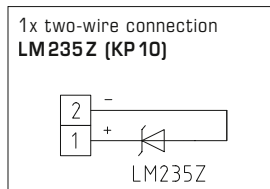
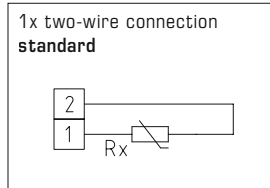
THERMASGARD® OUTF Surface contact temperature sensors / surface temperature sensors			
Type / WG03	Sensor / output	Item No.	Price
OUTF		IP65	
OUTF Pt100 PVC 1,5M	Pt100 (according to DIN EN 60 751, class B)	1101-6010-1211-110	38,10 €
OUTF Pt1000 PVC 1,5M	Pt1000 (according to DIN EN 60 751, class B)	1101-6010-5211-110	38,10 €
OUTF Ni1000 PVC 1,5M	Ni1000 (according to DIN EN 43 760, class B, TCR = 6180 ppm / K)	1101-6010-9211-110	40,30 €
OUTF NiTK PVC 1,5M	Ni1000 TK5000 (TCR = 5000 ppm / K), LG - Ni1000	1101-6011-0211-110	44,57 €
OUTF LM235Z PVC 1,5M	LM235Z (TCR = 10 mV / K; 2.73 V at 0 °C), KP10	1101-6012-1211-110	38,84 €
OUTF NTC1,8K PVC 1,5M	NTC 1.8K	1101-6011-2211-110	36,64 €
OUTF NTC10K PVC 1,5M	NTC 10K	1101-6011-5211-110	36,64 €
OUTF NTC20K PVC 1,5M	NTC 20K	1101-6011-6211-110	36,64 €
Extra charge:	Protection type IP68 (sensor sleeve watertight compound-filled) 2-wire connecting leads (PVC / silicone) per running metre 4-wire connecting leads (PVC / silicone) per running metre	on request on request	3,50 €
For special orders please specify:	Type, sensor type, cable length e.g. OUTF Pt100, 3m; OUTF Pt100 1 / 3 DIN, 4m; OUTF KTY 81-210, 6m		

Surface contact temperature sensors / tube contact temperature sensors, including strap, with passive output

THERMASGARD® ALTF 1 surface contact sensors are electric contact thermometers and are used for measuring surface temperatures of solids, having at least one so-called contact area that is brought into contact with the surface to be measured. The surface contact temperature sensor ALTF 1 with connection cable and passive output determines the temperature of a medium flowing inside a pipe (e.g. water temperature) via the surface temperature. ALTF 1 is a tube contact resistance thermometer with strap and axial feeler tube for measuring temperature on piping and tubes (e.g. cold-water and hot-water), or at heating sections for heating system control.

TECHNICAL DATA

Measuring range:	-35...+105 °C PVC -35...+180 °C silicone (T _{max} NTC = +150 °C, T _{max} LM235Z = +125 °C)
Sensors / output:	see table, passive (optional also with 2 sensors) (Perfect Sensor Protection with IP68)
Connection type:	2-wire connection (4-wire connection optional)
Testing current:	< 0.6 mA (Pt1000) < 1.0 mA (Pt100) < 0.3 mA (Ni1000, Ni1000 TK5000) < 2.0 mW (NTC xx) 400 µA...5 mA (LM235Z)
Connecting cable:	PVC; 1.5 m, LiYY, 2 x 0.25 mm ² or silicone, SiHF, 2 x 0.25 mm ² ends stripped, with wire end sleeves
Insulating resistance:	≥ 100 MΩ, at +20 °C (500 V DC)
Sensor protection:	pipe feeder made of stainless steel V4A (1.4571), Ø = 6 mm, L = 50 mm
Process connection:	with endless strap with metal tightener (included in the scope of delivery) Ø = 13-92 mm (¼ - 3"); length 300 mm
Humidity:	< 95 % RH, non-precipitating air
Protection class:	III (according to EN 60 730)
Protection type:	IP65 (according to EN 60 529) sleeve humidity-tight (standard) IP68 (according to EN 60 529) sleeve water-tight (optional)



IP65 (standard)
humidity-tight



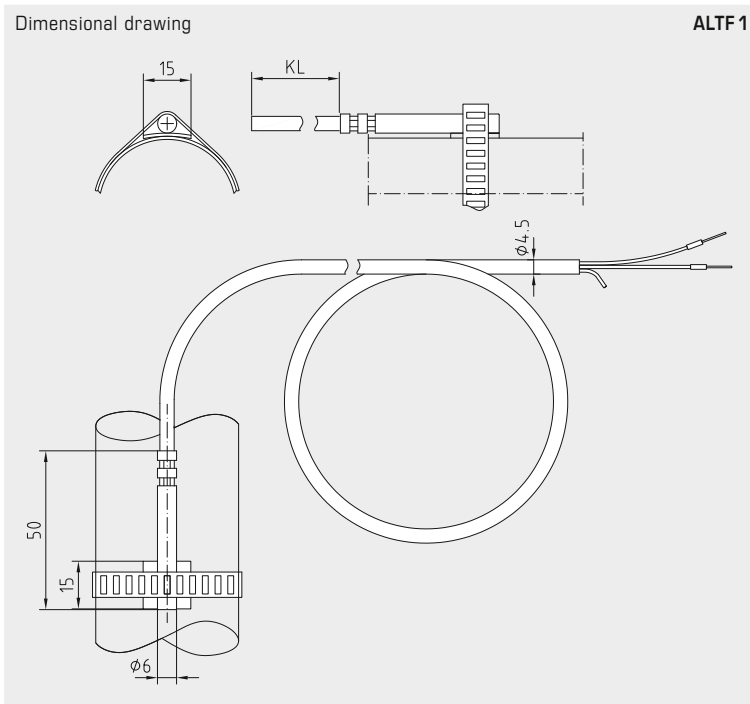
IP68 (optional)
water-tight
Perfect Sensor Protection

THERMASGARD® ALTF 1 Surface contact temperature sensors / tube contact temperature sensors (PVC)

Type / WG03	Sensor / Output	Item No.	Price
ALTF 1 xx PVC		IP 65, PVC	
ALTF1 Pt100 PVC 1,5M	Pt100 (according to DIN EN 60 751, class B)	1101-6020-1211-110	20,86 €
ALTF1 Pt1000 PVC 1,5M	Pt1000 (according to DIN EN 60 751, class B)	1101-6020-5211-110	20,86 €
ALTF1 Ni1000 PVC 1,5M	Ni1000 (according to DIN EN 43 760, class B, TCR = 6180 ppm / K)	1101-6020-9211-110	21,63 €
ALTF1 NiTK PVC 1,5M	Ni1000 TK5000 (TCR = 5000 ppm / K), LG-Ni1000	1101-6021-0211-110	22,43 €
ALTF1 LM235Z PVC 1,5M	LM235Z (TCR = 10 mV / K; 2.73 V at 0 °C), KP10	1101-6022-1211-110	22,03 €
ALTF1 NTC1,8K PVC 1,5M	NTC 1.8K	1101-6021-2211-110	21,38 €
ALTF1 NTC10K PVC 1,5M	NTC 10K	1101-6021-5211-110	21,38 €
ALTF1 NTC20K PVC 1,5M	NTC 20K	1101-6021-6211-110	21,38 €
Note:	including strap, connecting cable PVC (KL = 1.5 m)		
Extra charge:	Protection type IP68 (Sensor sleeve watertight compound-filled) 2-wire connecting leads, per running meter (PVC) Other sensors optional	on request on request	3,50 €

ACCESSORIES

WLP-1	Heat-conductive paste, silicone-free	7100-0060-1000-000	4,79 €
--------------	--------------------------------------	--------------------	---------------



ALTF 1



High-performance encapsulation against vibration, mechanical stress and humidity



THERMASGARD® ALTF 1 Surface contact temperature sensors / tube contact temperature sensors (silicone)			
Type / WG03	Sensor / Output	Item No.	Price
ALTF 1 xx SILIKON		IP 65, silicone	
ALTF1 Pt100 Silikon 1,5M	Pt100 (according to DIN EN 60 751, class B)	1101-6020-1211-120	21,63 €
ALTF1 Pt1000 Silikon 1,5M	Pt1000 (according to DIN EN 60 751, class B)	1101-6020-5211-120	21,63 €
ALTF1 Ni1000 Silikon 1,5M	Ni1000 (according to DIN EN 43 760, class B, TCR = 6180 ppm / K)	1101-6020-9211-120	23,09 €
ALTF1 NiTK Silikon 1,5M	Ni1000 TK5000 (TCR = 5000 ppm / K), LG-Ni1000	1101-6021-0211-120	24,27 €
ALTF1 LM235Z Silikon 1,5M	LM235Z (TCR = 10 mV / K; 2.73 V at 0 °C), KP10	1101-6022-1211-120	22,43 €
ALTF1 NTC1,8K Silikon 1,5M	NTC 1.8K	1101-6021-2211-120	22,30 €
ALTF1 NTC10K Silikon 1,5M	NTC 10K	1101-6021-5211-120	22,30 €
ALTF1 NTC20K Silikon 1,5M	NTC 20K	1101-6021-6211-120	22,30 €
Note:	including strap, connecting cable silicone (KL = 1.5 m)		
Extra charge:	Protection type IP 68 (Sensor sleeve watertight compound-filled) 2-wire connecting leads, per running meter (silicone) Other sensors optional	on request on request	3,50 €

ACCESSORIES			
WLP-1	Heat-conductive paste, silicone-free	7100-0060-1000-000	4,79 €

Surface contact temperature sensors /
tube contact temperature sensors, including strap,
with passive output

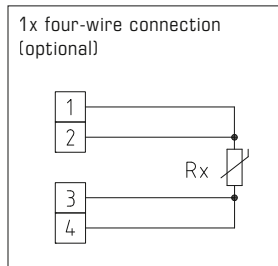
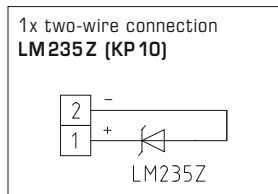
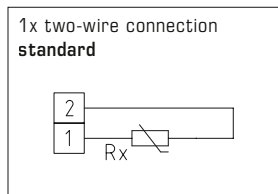
THERMASGARD® ALTF 2 is a tube contact resistance thermometer with passive output, in an impact-resistant plastic housing with quick-locking screws, incl.strap.

THERMASGARD® ALTF 02 is a cost-saving tube contact resistance thermometer with passive output, in an impact-resistant plastic housing with snap-on lid, incl.strap.

Surface contact sensors are electric contact thermometers used for surface temperature measurement on solids, having at least one so-called contact area that is brought into contact with the surface to be measured. This surface contact temperature sensor measures the temperature of a medium flowing inside a pipe (e.g. the water temperature). This tube surface sensor is used for measuring temperature on piping and tubes (e.g. cold-water and hot-water), wor on heating sections for heating system control.

TECHNICAL DATA

Measuring range:	-30...+110 °C
Sensors / output:	see table, passive (Perfect Sensor Protection) (optional also with two sensors)
Connection type:	2-wire connection (4-wire connection on PT100/PT1000A, optional on other sensors)
Testing current:	< 0.6 mA (Pt1000) < 1.0 mA (Pt100) < 0.3 mA (Ni1000, Ni1000 TK5000) < 2.0 mW (NTC xx) 400 µA...5 mA (LM235Z)
Housing:	plastic, UV-resistant, material polyamide, 30 % glass-globe reinforced, colour traffic white (similar to RAL 9016), ALTF 02 with snap-on lid, ALTF 2 with quick-locking screws (slotted / Phillips head combination)
Dimensions:	72 x 64 x 37.8 mm (Tyr 1 / Tyr 01)
Electrical connection:	0.14 - 1.5 mm ² via terminal screws
Cable connection:	cable gland , plastic (M 16 x 1.5; with strain relief, exchangeable, max. inner diameter 10.4 mm) or M12 connector according to DIN EN 61076-2-101 (optional on request)
Process connection:	with endless strap with metal tightener (included in the scope of delivery) Ø = 13-92 mm (1/4 - 3"), length L = 300 mm
Insulating resistance:	≥ 100 MΩ, at +20 °C (500 V DC)
Humidity:	< 95 % RH, non-precipitating air
Protection class:	III (according to EN 60 730)
Protection type:	ALTF 02 IP 54 (according to EN 60 529) Housing tested, TÜV SÜD, Report No. 713160960A (Tyr 01) ALTF 2 IP 65 (according to EN 60 529) Housing tested, TÜV SÜD, Report No. 713139052 (Tyr 1)



THERMASGARD® ALTF 02 Surface contact temperature sensors / tube contact temperature sensors, *Standard* including strap, with snap-on lid

Type / WG03B	Sensor / Output	Item No.	Price
ALTF 02		IP 54	
ALTF02 Pt100	Pt100 (according to DIN EN 60 751, class B)	1101-1010-1003-000	22,30 €
ALTF02 Pt1000	Pt1000 (according to DIN EN 60 751, class B)	1101-1010-5001-000	22,30 €
ALTF02 Ni1000	Ni1000 (according to DIN EN 43 760, class B, TCR = 6180 ppm / K)	1101-1010-9001-000	22,68 €
ALTF02 NiTK	Ni1000 TK5000 (TCR = 5000 ppm / K), LG-Ni1000	1101-1011-0001-000	25,97 €
ALTF02 LM235Z	LM235Z (TCR = 10 mV / K; 2.73 V at 0 °C), KP10	1101-1012-1001-000	22,95 €
ALTF02 NTC1,8K	NTC 1.8K	1101-1011-2001-000	21,63 €
ALTF02 NTC10K	NTC 10K	1101-1011-5001-000	21,63 €
ALTF02 NTC20K	NTC 20K	1101-1011-6001-000	21,63 €
Extra charge:	two or other sensors optional cable connection with M12 connector according to DIN EN 61076-2-101		on request on request

ACCESSORIES

WLP-1	Heat-conductive paste, silicone-free	7100-0060-1000-000	4,79 €
--------------	--------------------------------------	--------------------	---------------

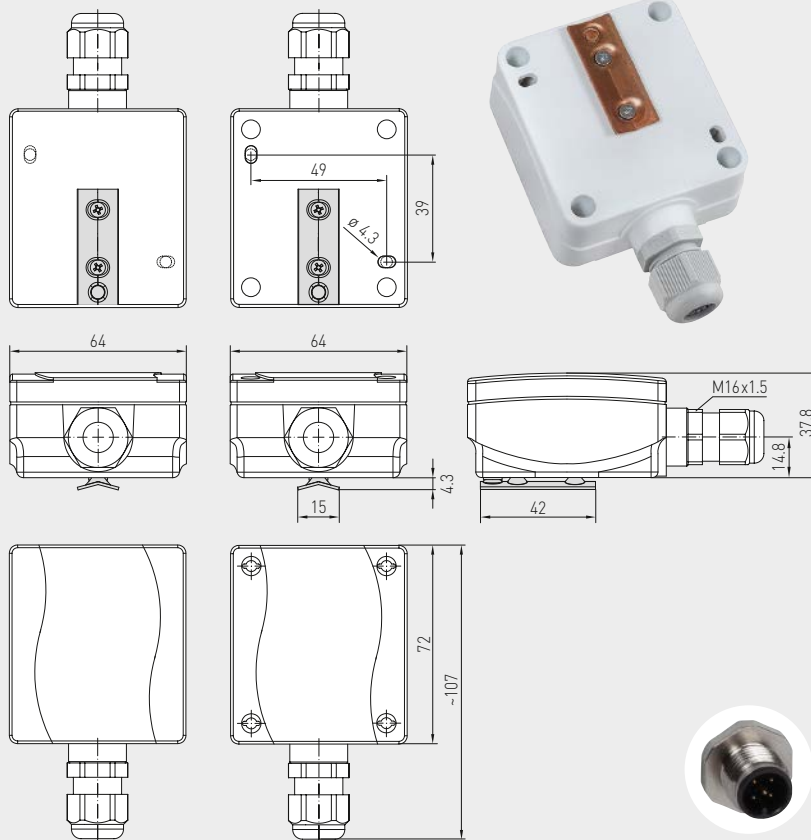


S+S REGELTECHNIK

THERMASGARD® ALTF 2
THERMASGARD® ALTF 02

Surface contact temperature sensors /
tube contact temperature sensors, including strap,
with passive output

Dimensional drawing



with snap-on lid

with quick-locking screws

M12 connector
(optional on request)

ALTF 2
ALTF 02

ALTF 02
with snap-on lid
(IP54)



ALTF 2
with quick-locking screws
(IP65)



High-performance encapsulation against
vibration, mechanical stress and humidity



THERMASGARD® ALTF 2 Surface contact temperature sensors / tube contact temperature sensors, *Premium*
including strap, with quick-locking screws

Type / WG03	Sensor / Output	Item No.	Price
ALTF 2		IP 65	
ALTF2 Pt100	Pt100 (according to DIN EN 60 751, class B)	1101-1020-1003-000	25,89 €
ALTF2 Pt1000	Pt1000 (according to DIN EN 60 751, class B)	1101-1020-5001-000	26,63 €
ALTF2 Pt1000A	Pt1000 (according to VDI/VDE 3512, class A-TGA)	1101-1020-6003-000	30,28 €
ALTF2 Ni1000	Ni1000 (according to DIN EN 43 760, class B, TCR = 6180 ppm / K)	1101-1020-9001-000	26,25 €
ALTF2 NiTK	Ni1000 TK5000 (TCR = 5000 ppm / K), LG-Ni1000	1101-1021-0001-000	30,78 €
ALTF2 LM235Z	LM235Z (TCR = 10 mV / K; 2.73 V at 0 °C), KP10	1101-1022-1001-000	25,40 €
ALTF2 NTC1,8K	NTC 1.8K	1101-1021-2001-000	22,09 €
ALTF2 NTC10K	NTC 10K	1101-1021-5001-000	22,09 €
ALTF2 NTC20K	NTC 20K	1101-1021-6001-000	22,09 €
Extra charge:	two or other sensors optional cable connection with M12 connector according to DIN EN 61076-2-101	on request on request	

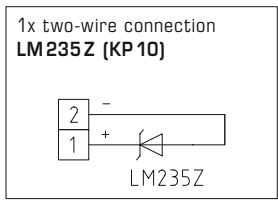
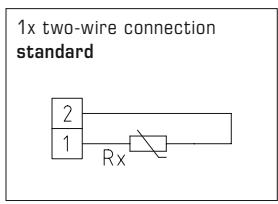
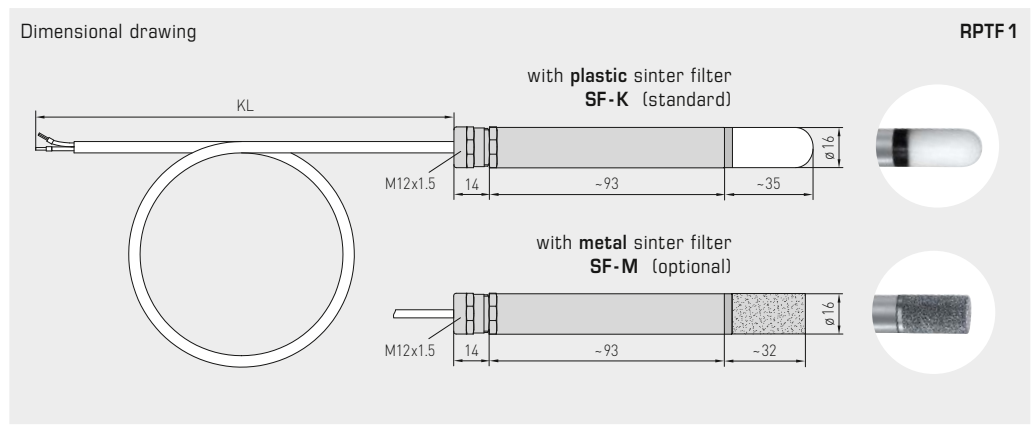
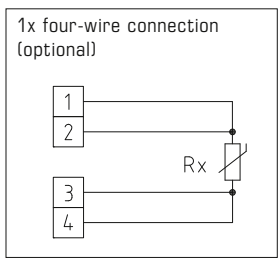
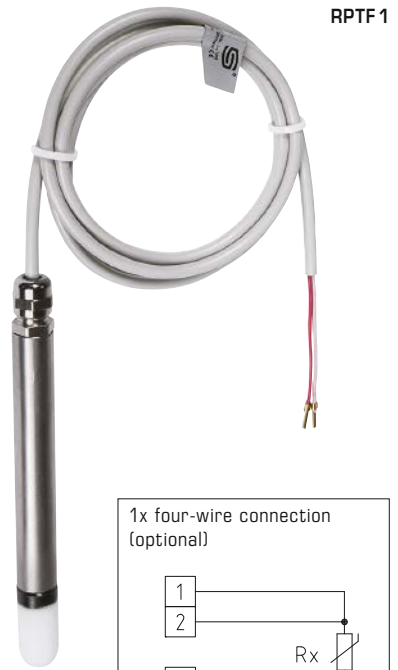
ACCESSORIES

WLP-1	Heat-conductive paste, silicone-free	7100-0060-1000-000	4,79 €
--------------	--------------------------------------	--------------------	---------------

**Pendulum room temperature sensors
with passive output**

Resistance thermometer **THERMASGARD® RPTF 1** with passive output is specifically used for temperature detection in larger rooms and halls. Due to the measuring method employed by this pendulum room temperature sensor in combination with its positioning in the room, excellent and room-representative measuring results are achieved as ambient air of the room is steadily washing around the sensor.

TECHNICAL DATA	
Measuring range:	-5...+60 °C
Sensors / output:	see table, passive (optional also with two sensors)
Sensor protection:	plastic sinter filter, Ø 16 mm, L = 35 mm, exchangeable (optional metal sinter filter, Ø 16 mm, L = 32 mm)
Connection type:	2-wire connection (4-wire connection optional)
Testing current:	< 0.6 mA (Pt1000) < 1.0 mA (Pt100) < 0.3 mA (Ni1000, Ni1000 TK5000) < 2.0 mW (NTC xx) 400 µA...5 mA (LM235Z)
Connection cable:	PVC, H03VV-F, 2 x 0.5 mm ² , ends stripped with wire end sleeves KL = approx. 1.5 m (other lengths optional)
Protective tube:	stainless steel V2A (1.4301), Ø=16 mm, NL = 142 mm
Insulating resistance:	≥ 100 MΩ, at +20 °C (500 V DC)
Humidity:	< 95% RH
Protection class:	III (according to EN 60 730)
Protection type:	IP 65 (according to EN 60 529)



THERMASGARD® RPTF 1 Pendulum room temperature sensors (with metal sleeve)

Type / WG03	Sensor / Output	Item No.	Price
RPTF 1		IP 65	
RPTF1 Pt100 PVC 1,5M	Pt100 (according to DIN EN 60 751, class B)	1101-6060-1211-010	60,44 €
RPTF1 Pt1000 PVC 1,5M	Pt1000 (according to DIN EN 60 751, class B)	1101-6060-5211-010	63,61 €
RPTF1 Ni1000 PVC 1,5M	Ni1000 (according to DIN EN 43 760, class B, TCR = 6180 ppm/K)	1101-6060-9211-010	62,54 €
RPTF1 NiTK PVC 1,5M	Ni1000 TK5000 (TCR = 5000 ppm/K), LG-Ni1000	1101-6061-0211-010	66,48 €
RPTF1 LM235Z PVC 1,5M	LM235Z (TCR = 10 mV/K; 2.73 V at 0 °C), KP10	1101-6062-1211-110	60,59 €
RPTF1 NTC1,8K PVC 1,5M	NTC 1.8K	1101-6061-2211-010	66,23 €
RPTF1 NTC10K PVC 1,5M	NTC 10K	1101-6061-5211-010	66,23 €
RPTF1 NTC20K PVC 1,5M	NTC 20K	1101-6061-6211-010	66,23 €

ACCESSORIES			
SF-M	Metal sinter filter, Ø 16 mm, L = 32 mm, exchangeable stainless steel V4A (1.4404)	7000-0050-2200-100	43,60 €
Extra charge:	2-wire connecting leads, per running meter (PVC) 4-wire connecting leads, per running meter (PVC)		on request on request
For special orders please specify:	Type, sensor type and cable length e.g. RPTF1 Pt100, 3m; RPTF1 Pt1000, 4m; RPTF1 KTY 81-210, 6m		



S+S REGELTECHNIK

THERMASGARD® RPTF 2

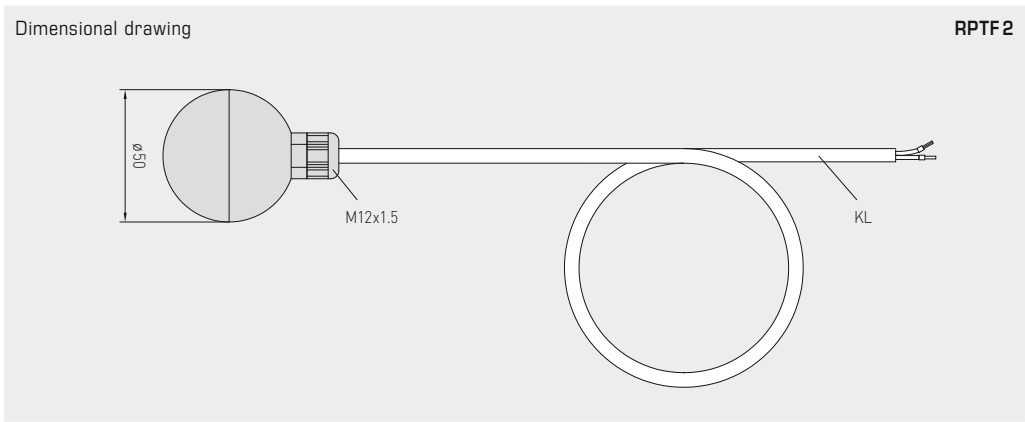
Pendulum room temperature sensors
with passive output

Resistance thermometer THERMASGARD® RPTF 2 with passive output is specifically used for temperature detection in larger rooms and halls, as dark radiation sensor for example. The pendulum room sensor RPTF-2 (globe thermometer) determines the effective portion of active radiation or also the effective radiant heat at the measured location. Due to the measuring method employed by this pendulum room temperature sensor in combination with its positioning in the room, an excellent and room-representative measuring result is achieved. The globe temperature is determined to take heat radiation into consideration and to estimate the degree of thermal comfort (operative room temperature). The operative room temperature describes the coaction of heat radiation and heat convection (the ratio of globe temperature / air temperature is approx. 70% / 30%).

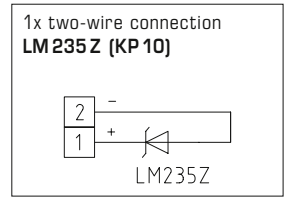
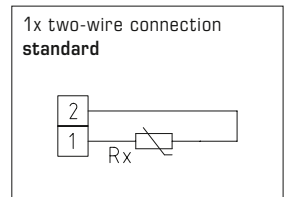
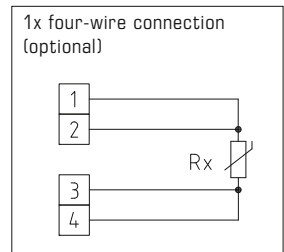
TECHNICAL DATA	
Measuring range:	-5...+60 °C
Sensors / output:	see table, passive (optional also with two sensors)
Connection type:	2-wire connection (4-wire connection optional)
Testing current:	< 0.6 mA (Pt1000) < 1.0 mA (Pt100) < 0.3 mA (Ni1000, Ni1000 TK5000) < 2.0 mW (NTC xx) 400 µA...5 mA (LM235Z)
Globe:	plastic, colour black, Ø = 50 mm
Connection cable:	PVC, H03VV-F, 2 x 0.5 mm ² , ends stripped with wire end sleeves KL = approx. 1.5 m (other lengths optional)
Insulating resistance:	≥ 100 MΩ, at +20 °C (500 V DC)
Humidity:	< 95% RH
Protection class:	III (according to EN 60 730)
Protection type:	IP 65 (according to EN 60 529)



RPTF 2



RPTF 2



THERMASGARD® RPTF 2 Pendulum room temperature sensors (with globe)			
Type / WG03	Sensor / Output	Item No.	Price
RPTF 2		IP 65	
RPTF2 Pt100 PVC 1,5M	Pt100 (according to DIN EN 60 751, class B)	1101-6070-1211-010	60,59 €
RPTF2 Pt1000 PVC 1,5M	Pt1000 (according to DIN EN 60 751, class B)	1101-6070-5211-010	63,73 €
RPTF2 Ni1000 PVC 1,5M	Ni1000 (according to DIN EN 43 760, class B, TCR = 6180 ppm/K)	1101-6070-9211-010	62,67 €
RPTF2 NiTK PVC 1,5M	Ni1000 TK5000 (TCR = 5000 ppm/K), LG-Ni1000	1101-6071-0211-010	66,60 €
RPTF2 LM235Z PVC 1,5M	LM235Z (TCR = 10 mV/K; 2.73 V at 0 °C), KP10	1101-6072-1211-010	60,72 €
RPTF2 NTC1,8K PVC 1,5M	NTC 1.8K	1101-6071-2211-010	66,35 €
RPTF2 NTC10K PVC 1,5M	NTC 10K	1101-6071-5211-010	66,35 €
RPTF2 NTC20K PVC 1,5M	NTC 20K	1101-6071-6211-010	66,35 €
Extra charge::	2-wire connecting leads, per running meter (PVC) 4-wire connecting leads, per running meter (PVC)	on request on request	
For special orders please specify:	Type, sensor type and cable length e. g. RPTF2 Pt100, 3m; RPTF2 Pt1000, 4m; RPTF2 KTY 81-210, 6m		

On-wall radiation temperature sensors with passive output

ASTF

Resistance thermometer **THERMASGARD® ASTF** with passive output, terminal box housing made of impact-resistant plastic and housing cover with quick-locking screws. This radiation sensor is specifically designed for temperature detection in wet areas or in larger rooms or halls. The on-wall radiation temperature sensor ASTF determines the effective portion of active radiation or the effective radiant heat at the measured location. Due to the measuring method employed by the dark radiation temperature sensor, excellent and room-representative measuring results are achieved.

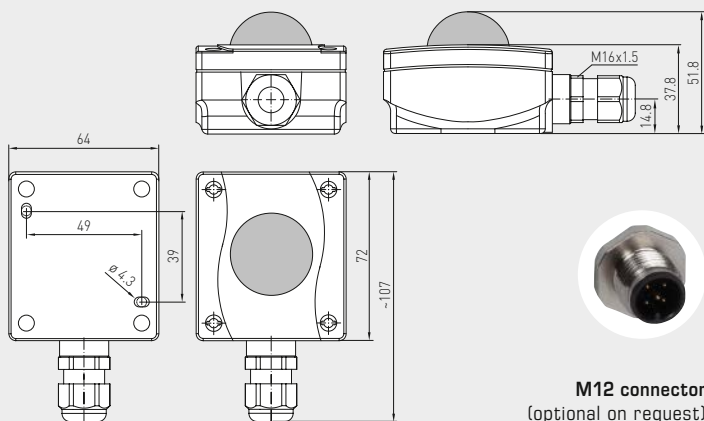


TECHNICAL DATA

Measuring range:	-30 ...+ 75 °C
Sensors / output:	see table, passive (optional also with two sensors)
Connection type:	2-wire connection (4-wire connection on PT100, optional on other sensors)
Testing current:	< 0.6 mA (Pt1000) < 1.0 mA (Pt100) < 0.3 mA (Ni1000, Ni1000 TK5000) < 2.0 mW (NTC xx) 400 µA...5 mA (LM235Z)
Insulating resistance:	≥ 100 MΩ, at +20 °C (500 V DC)
Process connection:	by screws
Housing:	plastic, UV-resistant, material polyamide, 30% glass-globe reinforced, with quick-locking screws (slotted / Phillips head combination), colour traffic white (similar to RAL 9016), semi-globe: black
Housing dimensions:	72 x 64 x 37.8 (51.8) mm (Tyr 1)
Cable connection:	cable gland , plastic (M16 x 1.5; with strain relief, exchangeable, max. inner diameter 10.4 mm) or M12 connector according to DIN EN 61076-2-101 (optional on request)
Electrical connection:	0.14 - 1.5 mm², via terminal screws
Humidity:	< 95 % RH
Protection class:	III (according to EN 60 730)
Protection type:	IP65 (according to EN 60529) Housing tested, TÜV SÜD, Report No. 713139052 (Tyr 1)

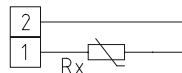
Dimensional drawing

ASTF

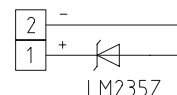


M12 connector
(optional on request)

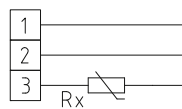
1x two-wire connection standard



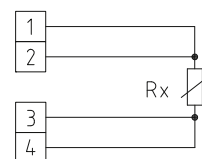
1x two-wire connection LM235Z (KP 10)



1x three-wire connection (optional)



1x four-wire connection (optional)



THERMASGARD® ASTF On-wall radiation temperature sensors

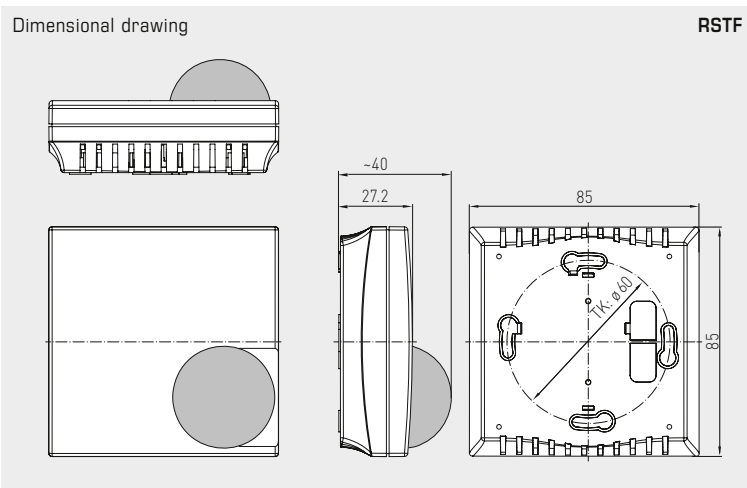
Type / WG03	Sensor / Output	Item No.	Price
ASTF		IP65	
ASTF Pt100	Pt100 (according to DIN EN 60 751, B)	1101-1060-1003-000	72,60 €
ASTF Pt1000	Pt1000 (according to DIN EN 60 751, class B)	1101-1060-5001-000	72,60 €
ASTF Ni1000	Ni1000 (according to DIN EN 43 760, class B, TCR = 6180 ppm / K)	1101-1060-9001-000	73,88 €
ASTF NiTK	Ni1000 TK5000 (TCR = 5000 ppm / K), LG- Ni1000	1101-1061-0001-000	76,32 €
ASTF LM235Z	LM235Z (TCR = 10 mV / K; 2.73 V at 0 °C), KP10	1101-1062-1001-000	71,26 €
ASTF NTC1,8K	NTC 1.8K	1101-1061-2001-000	76,32 €
ASTF NTC10K	NTC 10K	1101-1061-5001-000	76,32 €
ASTF NTC20K	NTC 20K	1101-1061-6001-000	76,32 €
Extra charge:	two or other sensors optional cable connection with M12 connector according to DIN EN 61076-2-101		on request on request

Resistance thermometer **THERMASGARD® RSTF** with passive output in an elegant housing made of plastic, with snap-on lid, base with 4-hole attachment for installation on vertically or horizontally installed in-wall flush boxes, with predetermined breaking point for on-wall cable entry, specifically used for temperature detection in larger rooms. The room radiation temperature sensor RSTF determines the effective portion of active radiation or the effective radiant heat at the measured location. Due to the measuring method employed by the dark radiation temperature sensor, an excellent and room-representative measuring result is achieved. In addition there is an independent passive output available to determinate the reference temperature.

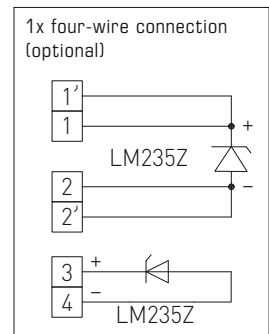
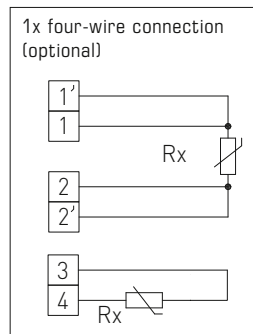
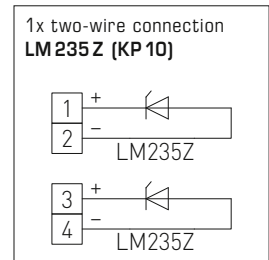
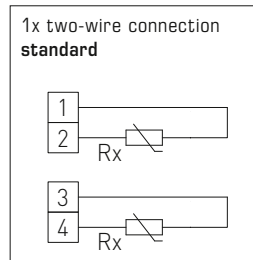


TECHNICAL DATA

Measuring range:	-30...+75 °C
Sensors / output:	see table, passive (optional also with two sensors)
Connection type:	2-wire connection (4-wire connection on PT100, optional on other sensors)
Testing current:	< 0.6 mA (Pt1000) < 1.0 mA (Pt100) < 0.3 mA (Ni1000, Ni1000 TK5000) < 2.0 mW (NTC xx) 400 µA...5 mA (LM235Z)
Insulating resistance:	≥100 MΩ, at +20 °C (500 V DC)
Process connection:	by screws
Housing:	plastic, material ABS Housing: pure white (similar to RAL 9010), Semi-globe: black
Dimensions:	85 x 85 x 27 (40) mm (Baldur 1)
Electrical connection:	0.14 - 1.5 mm ² , via terminal screws
Humidity:	< 95 % RH
Protection class:	III (according to EN 60 730)
Protection type:	IP 30 (according to EN 60529)



Terminals 3 and 4:
Sensor for reference temperature



THERMASGARD® RSTF Room radiation temperature sensors

Type / WG03	Sensor / Output	Item No.	Price
RSTF		IP30	
RSTF Pt100	Pt100 (according to DIN EN 60 751, class B)	1101-40C0-1003-000	71,26 €
RSTF Pt1000	Pt1000 (according to DIN EN 60 751, class B)	1101-40C0-5001-000	71,26 €
RSTF Ni1000	Ni1000 (according to DIN EN 43 760, class B, TCR = 6180 ppm / K)	1101-40C0-9001-000	73,88 €
RSTF NiTK	Ni1000 TK5000 (TCR = 5000 ppm / K), LG-Ni1000	1101-40C1-0001-000	75,96 €
RSTF LM235Z	LM235Z (TCR = 10 mV / K; 2.73 V at 0 °C), KP10	1101-40C2-1001-000	71,26 €
RSTF NTC1,8K	NTC 1.8K	1101-40C1-2001-000	75,19 €
RSTF NTC10K	NTC 10K	1101-40C1-5001-000	75,19 €
RSTF NTC20K	NTC 20K	1101-40C1-6001-000	75,19 €
Extra charge:	two or other sensors optional		on request



Temperature

THERMASGARD® active sensors – precise thermal management

Our active temperature sensors are easy to install, versatile and meet all requirements important to you.

Adjustable and calibratable temperature transmitters with self-diagnostics provide additional flexibility.

Application Areas

- Hospitals, museums, schools, hotels, public authorities, institutes and banks
- Sports arenas, holiday centers and movie theaters
- Car dealers
- Ships and shipyards
- Industrial plants and assembly halls
- Power plants and refineries





THERMASGARD® ACTIVE TEMPERATURE SENSORS

Room sensors, room control units

RTM 1	Room temperature measuring transducer	AOS 263
RTMxx	Room temperature measuring transducer / Room control units	AOS 263
FSTM	Room temperature measuring transducer, in-wall	267
FSTM-P	Room control units, in-wall	267
RPTM 1	Pendulum room temperature measuring transducer	AOS 329
RPTM 2	Pendulum room temperature measuring transducer	AOS 333

Outdoor sensors, on-wall sensors

ATM 2	Outside temperature measuring transducer	AOS 271
ATM 2-VA	Outside temperature measuring transducer (Stainless steel housing Tyr 2E)	AOS 275

Cable sensors, surface-contact sensors

HFTM	Sleeve sensor with cable, temperature measuring transducer	AOS 309
HFTM-VA	Sleeve sensor with cable, temperature measuring transducer (Stainless steel housing Tyr 2E)	AOS 313
ALTM 1	Surface-contact temperature measuring transducer	AOS 317
ALTM 2	Surface-contact temperature measuring transducer with cable	AOS 321
ALTM 2-VA	Surface-contact temperature measuring transducer with cable (Stainless steel housing Tyr 2E)	AOS 325

Duct / immersion / screw-in sensors

TM 43	Duct / immersion / screw-in temperature measuring transducer	AOS 279
TM 65	Duct / immersion / screw-in temperature measuring transducer	AOS 279
TM 54	Duct / immersion / screw-in temperature measuring transducer	289
RGTM 2	Smoke gas temperature measuring transducer, screw-in sensor	303
RGTM 1	Smoke gas temperature measuring transducer, duct sensor	297
MWMT	Mean-value temperature measuring transducer, rod sensor	AOS 285
MWMT-SD	Mean-value temperature measuring transducer, rod sensor	AOS 285

Immersion sleeves and accessories

see chapter Accessories	638
-------------------------	------------



Room temperature measuring transducers, calibratable, with multi-range switching and active output (Automatic Output Switching)

Patented quality product (patent no. DE 10 2015 015 941 B4)

Calibratable room temperature measuring transducer **THERMASGARD® RTM 1**, with eight switchable measuring ranges (max. -20...+150 °C), active output, in an elegant housing made of plastic, with snap-on lid, base with 4-hole attachment for installation on vertically or horizontally installed in-wall flush boxes, with predetermined breaking point for on-wall cable entry. Optionally available as a design with vandal-proof housing made of stainless steel (top and base screwed together).

The measuring transducer converts the measured variables into a standard signal of 0-10V or 4...20mA. The unit with **Automatic Output Switching (AOS)** detects the required output type and automatically switches to U or I output. Alternatively, a **type version (2-wire)** with 2-wire connection and I output is available.

This room temperature sensor is used to detect temperatures in closed dry rooms such as flats, in offices and business facilities. The sensor is factory-calibrated; an environmental precision adjustment by an expert is possible.

TECHNICAL DATA

RTM 1 - I

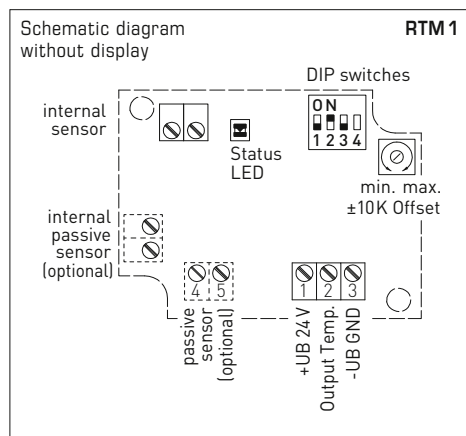
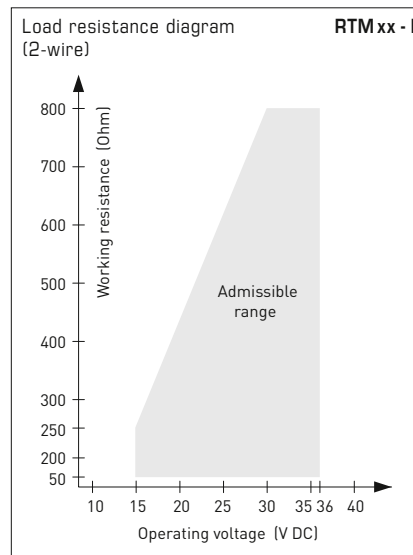
Power supply:	15...36 V DC, depending on working resistance, residual ripple stabilised ±0.3V
Working resistance:	$R_a \text{ (Ohm)} = (U_b - 14 \text{ V}) / 0.02 \text{ A}$
Connection type:	2-wire connection
Output:	4...20 mA

RTM 1 - A (AOS)

Power supply:	24 V AC / DC (± 10%)
Load resistance:	$R_L = 25...450 \text{ Ohm}$ with AOS I variant $R_L > 15 \text{ kOhm}$ with AOS U variant
Connection type:	3-wire connection
Output:	automatic 0-10V / 4...20 mA (via Automatic Output Switching – the unit detects the required output type and automatically switches to U or I output)

GENERAL

Power consumption:	< 1,0W / 24V DC; < 2.2VA / 24V AC
Measuring ranges:	multi-range switching with 8 measuring ranges see table (other ranges optional) with manual zero point correction (± 10K)
Sensor:	Pt1000, DIN EN 60751, class B
Deviation, temperature:	typically ±0.2K at +25 °C
Housing:	plastic, material ABS, colour pure white (similar to RAL 9010), optional stainless steel V2A (1.4301)
Housing dimensions:	85 x 85 x 27 mm (Baldur 1) 75 x 75 x 25 mm (stainless steel)
Electrical connection:	0.14 - 1.5 mm ² , via terminal screws on circuit board
Installation:	wall mounting or on in-wall flush box Ø55 mm, base with 4-hole for mounting on vertically or horizontally installed in-wall flush boxes for cable entry from the back, with predetermined breaking point for on-wall cable entry from top/bottom in case of plain on-wall installation
Ambient temperature:	measuring transducer -30...+70 °C
Permitted humidity:	<95% RH, non-precipitating air
Protection class:	III (according to EN 60 730)
Protection type:	IP 30 (according to EN 60 529)
Standards:	CE conformity, electromagnetic compatibility according to EN 61326, according to EMC directive 2014 / 30 / EU



2-wire without display RTM 1 - I

1	+UB 24V DC
2	Output Temp. 4...20mA
3	free

3-wire (AOS) without display RTM 1 - A

1	+UB 24V AC/DC
2	Output Temp. 0-10V / 4...20mA
3	-UB GND

Measuring ranges [°C] (adjustable)	DIP 1	DIP 2	DIP 3
-20...+ 150 °C	ON	ON	ON
-50... + 50 °C	OFF	ON	ON
-20... + 80 °C	ON	OFF	ON
-30... + 60 °C	OFF	OFF	ON
0... + 40 °C	ON	ON	OFF
0... + 50 °C (default)	OFF	ON	OFF
0...+ 100 °C	ON	OFF	OFF
0...+ 150 °C	OFF	OFF	OFF

DIP4 has no function!

For further technical information, see the operating instructions

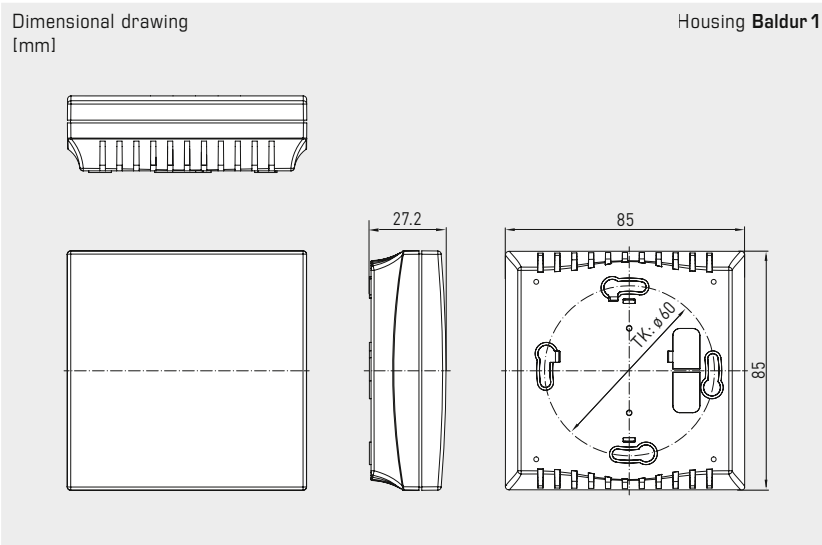


NEW

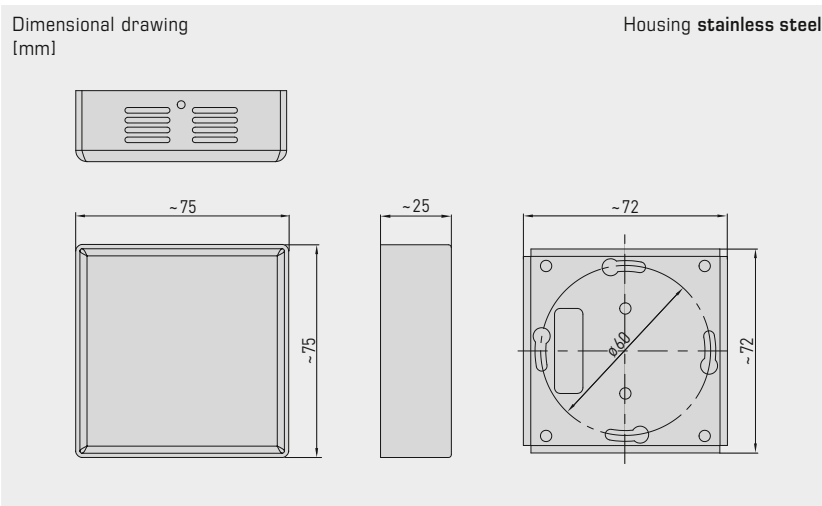
S+S REGELTECHNIK

THERMASGARD® RTM 1

Room temperature measuring transducers, calibratable, with multi-range switching and active output (Automatic Output Switching)



RTM 1 without display (Baldur 1)



RTM 1 without display (stainless steel)



Automatic detection and switching to standard signal 0...10V or 4...20 mA

AOS-PATENTED
AUTOMATIC OUTPUT SWITCHING

THERMASGARD® RTM 1		Room temperature measuring transducers with multi-range switching (without display)		
Type / WG01	Output	Features	Item No.	Price
RTM1-I	(2-wire)			
RTM1-I	4...20 mA	-	1101-41A2-0000-200	78,89 €
RTM1-I VA	4...20 mA	Stainless steel housing V2A (1.4301)	1101-4152-0000-200	205,23 €
RTM1-A	(3-wire AOS)			
RTM1-A	0-10 V / 4...20 mA	-	1101-41AE-0000-200	78,89 €
RTM1-A VA	0-10 V / 4...20 mA	Stainless steel housing V2A (1.4301)	1101-415E-0000-200	205,23 €
Automatic Output Switching:	patented analogue interface (patent no. DE 10 2015 015 941 B4) Unit automatically detects the required output type 0-10V or 4...20 mA.			
Measuring range:	multi-range switching with 8 switchable measuring ranges (see DIP table) 0...+50 °C (default), max. -20...+150 °C			
Extra charge:	other measuring ranges optional additional passive sensor (pin 4/5) optionally upon request			26,16 €
Note:	for units with display and/or potentiometer, see the following pages			

Room temperature measuring transducers, calibratable, with display and/or potentiometer and active output (Automatic Output Switching)

Patented quality product (patent no. DE 10 2015 015 941 B4)

Calibratable room temperature measuring transducer **THERMASGARD® RTM xx** with active output, temperature range (0...+50 °C), in an elegant housing made of plastic, with snap-on lid, base with 4-hole attachment for installation on vertically or horizontally installed in-wall flush boxes, with predetermined breaking point for on-wall cable entry, optionally with potentiometer and/or display. The standard display can be changed from SI [°C] to imperial [°F] units via DIP switch.

The measuring transducer converts the measured variables into a standard signal of 0- 10 V or 4...20 mA. The unit with **Automatic Output Switching (AOS)** detects the required output type and automatically switches to U or I output. Alternatively, a **type version** (2-wire I) with 2-wire connection and I output is available.

This room temperature sensor is used to detect temperatures in closed dry rooms such as flats, in offices and business facilities. The sensor is factory-calibrated; an environmental precision adjustment by an expert is possible.

RTM xx
without potentiometer,
with display



TECHNICAL DATA

RTM - I

Power supply:	15...36V DC, depending on working resistance, residual ripple stabilised ±0.3V
Working resistance:	R_b (Ohm) = $(U_b - 14 V) / 0.02 A$
Connection type:	2-wire connection
Output:	4...20 mA

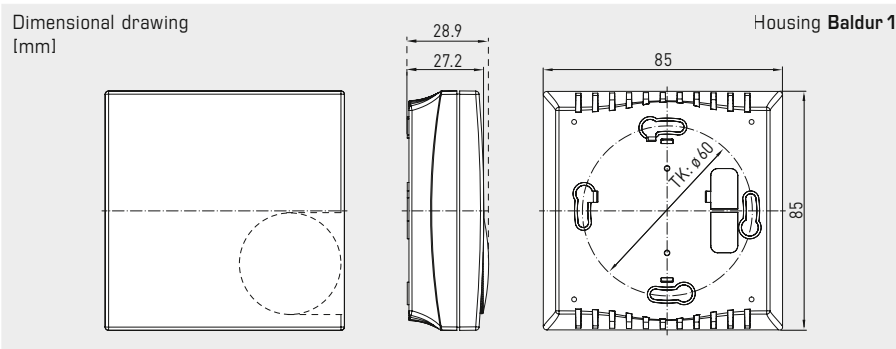
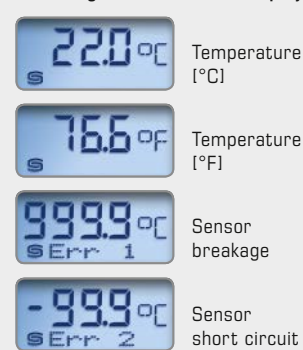
RTM - A (AOS)

Power supply:	24V AC / DC (± 10%)
Load resistance:	$R_L = 25...450$ Ohm for AOS I variant $R_L > 15$ kOhm for AOS U variant
Connection type:	3-wire connection
Output:	automatic 0-10V / 4...20 mA (via Automatic Output Switching – the unit detects the required output type and automatically switches to U or I output)

GENERAL

Power consumption:	< 1.0W / 24V DC; < 2.2VA / 24V AC
System of units:	SI (default) or Imperial (switchable via DIP switch)
Data points:	Temperature [°C] [°F]
Measuring ranges:	0...+50 °C (other ranges optional) with manual zero point correction (± 10K)
Sensor:	digital temperature sensor
Deviation, temperature:	typically ± 0.2K at +25 °C
Housing:	plastic, material ABS, colour pure white (similar to RAL 9010)
Housing dimensions:	85 x 85 x 27 mm (Baldur 1)
Electrical connection:	0.14 - 1.5 mm ² , via terminal screws
Installation:	wall mounting or on in-wall flush box Ø55 mm, base with 4-hole for mounting on vertically or horizontally installed in-wall flush boxes for cable entry from the back, with predetermined breaking point for on-wall cable entry from top/bottom in case of plain on-wall installation
Ambient temperature:	measuring transducer -30...+70 °C
Permitted humidity:	< 95% RH, non-precipitating air
Protection class:	III (according to EN 60 730)
Protection type:	IP 30 (according to EN 60529)
Standards:	CE conformity, electromagnetic compatibility according to EN 61326, according to EMC directive 2014 / 30 / EU
Control element:	potentiometer , with angle of rotation limiter, the standard marking is a swelling arrow with centre position, unfilled (others upon request)
Optional:	Two-line display with illumination , cutout 36 x 15 mm (W x H), for displaying the ACTUAL temperature and the internal diagnostics (sensor breakage, sensor short circuit)

Display and internal diagnostics
THERMASGARD®
Measuring transducer with display



Display (switchable)	DIP 1
Imperial [°F]	ON
SI (default) [°C]	OFF

Display
Temperature [°C] → [°F]
The display value depends on the set unit system (**DIP 1**).

For further technical information, see the operating instructions

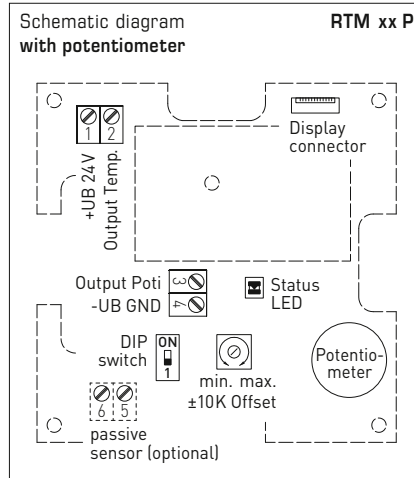
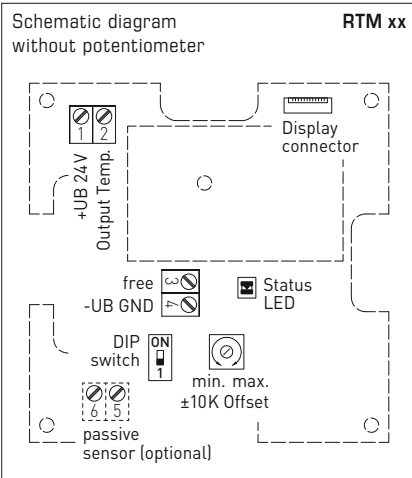


NEW

S+S REGELTECHNIK

THERMASGARD® RTM xx

Room temperature measuring transducers, calibratable,
with display and/or potentiometer and
active output (Automatic Output Switching)



RTM xx
with Potentiometer,
with/without display



2-wire* RTM-I LCD
without potentiometer,
with display

1	+UB 24V DC
2	Output Temp. 4...20mA
3	free
4	-UB GND (optional for backlighting)

* 2-wire connection for devices with display (not illuminated)
3-wire connection for devices with illuminated display

4-wire (AOS) RTM-A P
with potentiometer,
with/without display

1	+UB 24V AC/DC
2	Output Temp. 0-10V / 4...20mA
3	Output Poti 0-10V / 4...20mA
4	-UB GND

6-wire (AOS) RTM-A P Pt1000
with potentiometer,
with passive sensor

1	+UB 24V AC/DC
2	Output Temp. 0-10V / 4...20mA
3	Output Poti 0-10V / 4...20mA
4	-UB GND
5	Rx
6	passive sensor (optional)

3-wire (AOS) RTM-A LCD
without potentiometer,
with display

1	+UB 24V AC/DC
2	Output Temp. 0-10V / 4...20mA
3	free
4	-UB GND



Automatic detection and switching
to standard signal 0...10V or 4...20mA

AOS-PATENTED
AUTOMATIC OUTPUT SWITCHING

Type / WG01	Output Temperature active	Output Temperature passive	Output Potentiometer active	Poti	Display	Item No.	Price
RTM-I	(2-wire)						
RTM-I LCD	4...20mA	(optional)	-		■	1101-41A2-2000-200	124,43 €
RTM-A	(AOS)						
RTM-A LCD	0-10V / 4...20mA	(optional)	-		■	1101-41AE-2000-200	124,43 €
RTM-A P LCD	0-10V / 4...20mA	(optional)	0-10V / 4...20mA	●	■	1101-41AE-2004-346	256,09 €
RTM-A P	0-10V / 4...20mA	(optional)	0-10V / 4...20mA	●		1101-41AE-0004-346	151,19 €
RTM-A P Pt1000	0-10V / 4...20mA	Pt1000	0-10V / 4...20mA	●		1101-41AE-0054-346	158,54 €
Automatic Output Switching:	patented analogue interface (patent no. DE 10 2015 015 941 B4) Unit automatically detects the required output type 0-10V or 4...20mA.						
Measuring range:	0...+50 °C (permanently set)						
Extra charge:	other measuring ranges optional additional passive sensor (pin 5/6) optionally upon request						26,16 €
Potentiometer:	the standard marking is a swelling arrow with centre position, (-•+), unfilled optionally wedge-shaped without centre position (-...+) or with marking points (-3K...+3K) – special print upon request						

**Room temperature sensor or measuring transducer,
in-wall in the panel switch programme,
with active output**

The room sensor **THERMASGARD® FSTM / FSTM - P** in the in-wall housing, optionally with potentiometer, is used for measuring the room temperature, and for setpoint adjustment. It converts the measured values into a standard signal of 0-10 V. A digital, long-term stable sensor is used for temperature measurement.

The in-wall sensor is mounted in high-quality panel switch programmes, ideally of the brands Gira, Berker, Merten, Jung, Siemens or Busch-Jaeger (using in-wall adapters, no setpoint adjustment possible) either individually or in combination with light switches, socket outlets, etc.

It is used in non-aggressive, dust-free environments, in refrigeration, air conditioning and clean room technology, and in interior rooms, such as living rooms, offices, hotels, etc.

TECHNICAL DATA

Power supply: 24 V AC / DC (± 10 %)

Power consumption: < 1.1 W / 24 V DC; < 2.2 VA / 24 V AC

TEMPERATURE

Sensor: **digital temperature sensor,**
low hysteresis, high long-term stability

Long-term stability: ± 1 % per year

Measuring range: 0...+50 °C

Deviation, temperature: typically ± 0.8 K at +25 °C

Output, temperature: 0-10 V

POTENTIOMETER

Output, potentiometer: 0-10 V (**FSTM-P** with setpoint adjustment,
not possible with Busch-Jaeger)

GENERAL

Mounting: in-wall flush box Ø 55 mm

Electrical connection: 1,0-2,5 mm², via plug terminals

Ambient temperature: Storage -35...+85 °C;
Operation 0...+50 °C

Permitted humidity: max. 90 % RH, non-precipitating air

Medium: clean air and other non-aggressive, non-combustible gases

Protection class: III (according to EN 60 730)

Protection type: **IP 20** (according to 60 529)

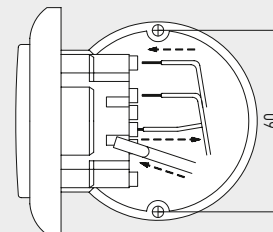
Standards: CE-conformity, electromagnetic compatibility
according to EN 61 326, EMC Directive 2014 / 30 / EU

SWITCH PROGRAMME

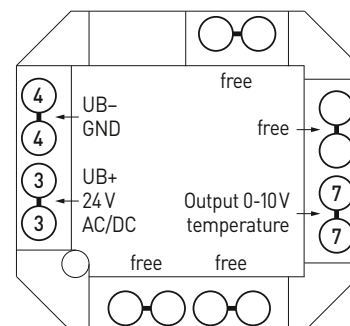
Manufacturer: GIRA System 55
(other switch programmes, manufacturers, colours
as well as prices available upon request.)

Housing: plastic,
the standard colour is pure glossy white (similar to RAL 9010)
(other colours are available upon request with colour variants
depending on the respective light switch programme)

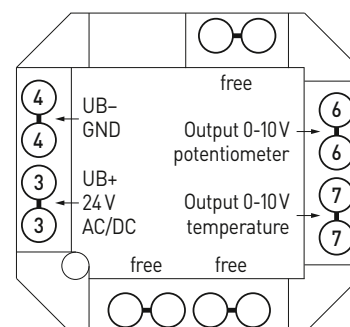
Mounting diagram [mm] **in-wall**

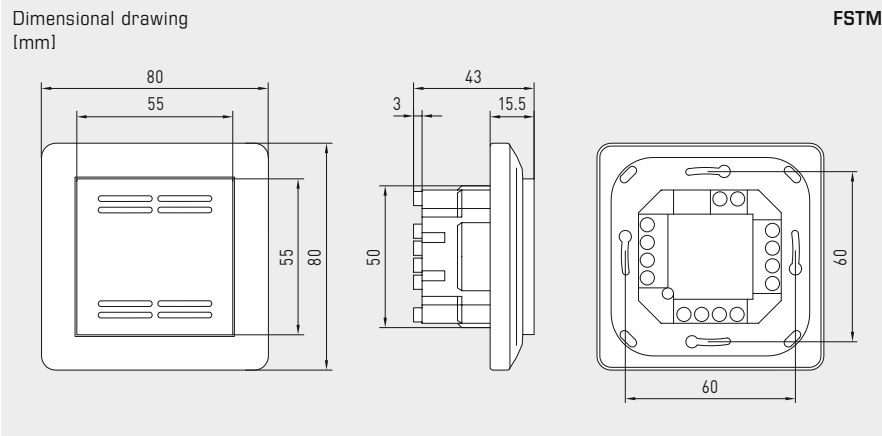


Connection diagram **FSTM**

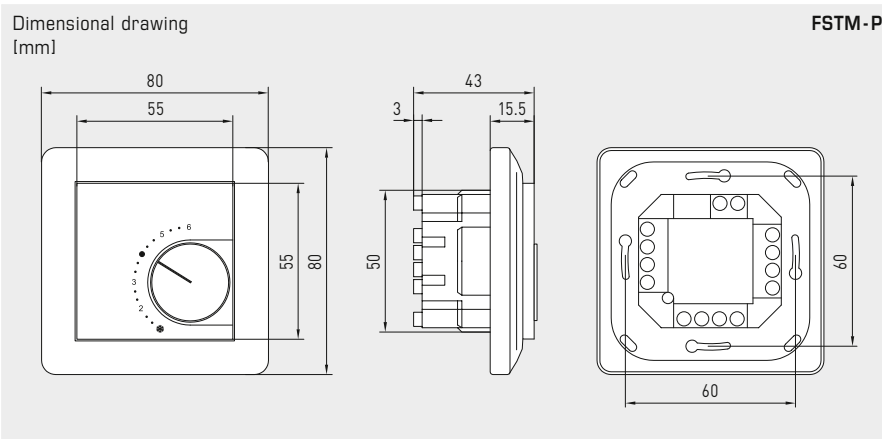


Connection diagram **FSTM - P**





FSTM
Standard



FSTM-P
with potentiometer



Temperature table
MR: 0...+50 °C

°C	U _A [V]
0	0.0
5	1.0
10	2.0
15	3.0
20	4.0
25	5.0
30	6.0
35	7.0
40	8.0
45	9.0
50	10.0

THERMASGARD® FSTM Room temperature sensor or measuring transducer, in-wall
 THERMASGARD® FSTM-P Room temperature sensor or measuring transducer, in-wall with potentiometer

Type / WG02	Measuring Range Temperature	Output Temperature	Potentiometer	Item No.	Price
FSTM					
FSTM-U	0...+50 °C	0-10V	-	1101-9121-0000-162	129,44 €
FSTM-P					
FSTM-U P	0...+50 °C	0-10V	0-10V	1101-9121-0004-282	153,86 €



Outside temperature / wet room temperature measuring transducers, calibratable, with multi-range switching and active output (Automatic Output Switching)

Patented quality product (patent no. DE 10 2015 015 941 B4)

Calibratable outside temperature measuring transducer **THERMASGARD® ATM 2**, with eight switchable measuring ranges (max. -20...+150 °C), active output, external sensor, housing made from impact-resistant plastic with quick-release screws, with cable gland or M12 connector according to DIN EN 61076-2-101, optionally with /without display. The standard display can be changed from SI [°C] to imperial [°F] units via DIP switch.

The measuring transducer converts the measured variables into a standard signal of 0 - 10 V or 4...20 mA. The unit with **Automatic Output Switching** (AOS variant) detects the required output type and automatically switches to U or I output. Alternatively, a **type version** (2-wire I variant) with 2-wire connection and I output is available.

It is used to detect outside temperatures, temperatures in wet rooms, e.g. for installation on outside walls, in cold storage buildings and greenhouses, in the industrial sector and in agriculture. Installation in outdoor areas preferably at the north side of a building or in a protected place. In case of direct solar irradiation, we recommend the use of our sun and ball-impact protection hood **WS01** or **WS04** (accessories) or the device version with the installed sun protection **SS02** (on request). The sensor is factory-calibrated; an environmental precision adjustment by an expert is possible.

ATM 2
with sun protection SS02
(on request)



ATM 2-Q
with M12 connector



TECHNICAL DATA

ATM 2 - I	
Power supply:	15...36V DC, depending on working resistance, residual ripple stabilised ± 0.3 V
Working resistance:	$R_a \text{ (Ohm)} = (U_b - 14 \text{ V}) / 0.02 \text{ A}$
Connection type:	2-wire connection
Output:	4...20 mA

ATM 2 - A (AOS)	
Power supply:	24 V AC / DC (± 10 %)
Load resistance:	$R_L = 25...450 \text{ Ohm}$ with AOS I variant $R_L > 15 \text{ kOhm}$ with AOS U variant
Connection type:	3-wire connection
Output:	automatic 0-10 V / 4...20 mA (via Automatic Output Switching – the unit detects the required output type and automatically switches to U or I output)

GENERAL	
Power consumption:	< 1.0 VA / 24 V DC; < 2.2 VA / 24 V AC
System of units:	SI (default) or Imperial (switchable via DIP switch)
Data points:	Temperature [°C] [°F]
Measuring ranges:	multi-range switching with 8 measuring ranges , see table (other ranges optional) with manual zero point correction (± 10K)
Sensor:	Pt1000, DIN EN 60751, class B (Perfect Sensor Protection)
Deviation, temperature:	typically ± 0.2 K at +25 °C
Protective tube:	made from stainless steel V4A (1.4571), Ø 6 mm, NL = 65 mm
Housing:	plastic, UV-resistant, material polyamide, 30 % glass-globe reinforced, with quick-release screws (slotted / Phillips head combination), colour traffic white (similar to RAL 9016), cover for display is transparent!
Housing dimension:	72 x 64 x 37.8 mm (Tyr 1 without display) 72 x 64 x 43.3 mm (Tyr 1 with display)
Cable connection:	cable gland , plastic (M 16 x 1.5; with strain relief, exchangeable, max. inner diameter 10.4 mm) or M12 connector (male, 5-pin, A-code) according to DIN EN 61076-2-101
Electrical connection:	0.14 - 1.5 mm², via terminal screws
Process connection:	by means of screws
Ambient temperature:	measuring transducer -30...+70 °C
Permissible humidity:	< 95 % RH, non-precipitating air
Protection class:	III (according to EN 60 730)
Protection type:	IP65 (according to EN 60 529) Housing tested, TÜV SÜD, Report No.713139052 (Tyr 1)
Standards:	CE conformity, electromagnetic compatibility according to EN 61326, according to EMC directive 2014 / 30 / EU
Optional:	two-line display with illumination , cutout approx. 36 x 15 mm (W x H), for displaying the ACTUAL temperature and the internal diagnostics (sensor breakage, sensor short circuit)

ACCESSORIES	(see table)
--------------------	-------------

Display and internal diagnostics
THERMASGARD®
Measuring transducer with display

- 22.0 °C Temperature [°C]
- 76.6 °F Temperature [°F]
- 9999 °C Sensor breakage (Err 1)
- 99.9 °C Sensor short circuit (Err 2)



NEW

S+S REGELTECHNIK

Thermasgard® ATM 2

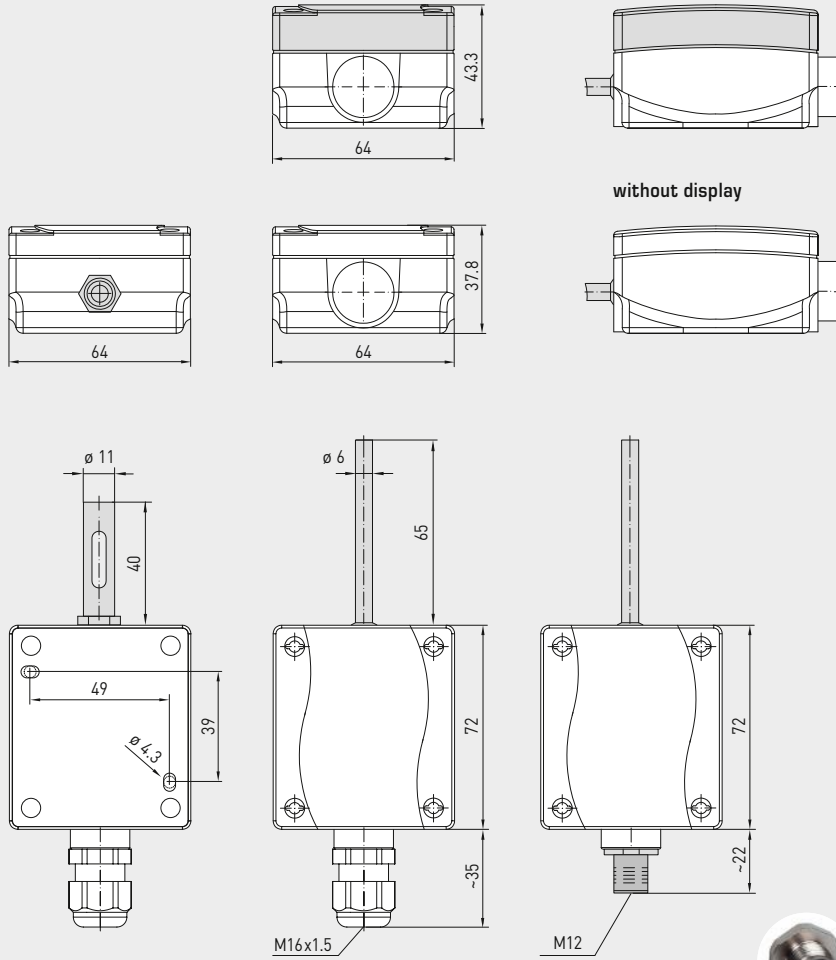
Outside temperature / wet room temperature measuring transducers, calibratable, with multi-range switching and active output (Automatic Output Switching)



Dimensional drawing [mm]

ATM 2

ATM 2 with cable gland and display



Housing with SS-02 (on request)

Housing with cable gland

Housing with M12 connector



ATM 2-Q with M12 connector and display



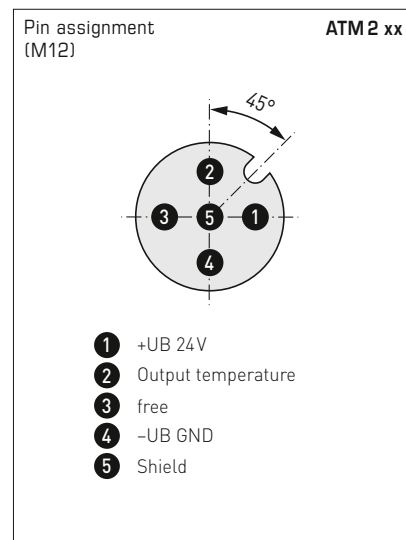
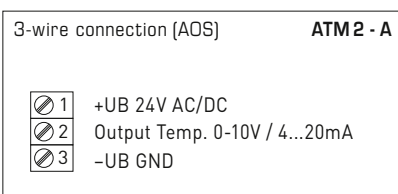
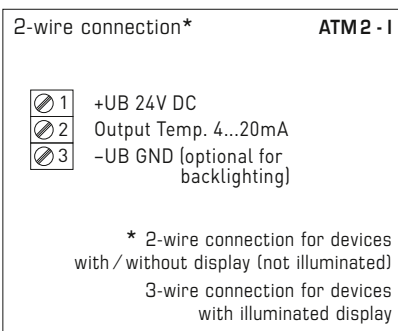
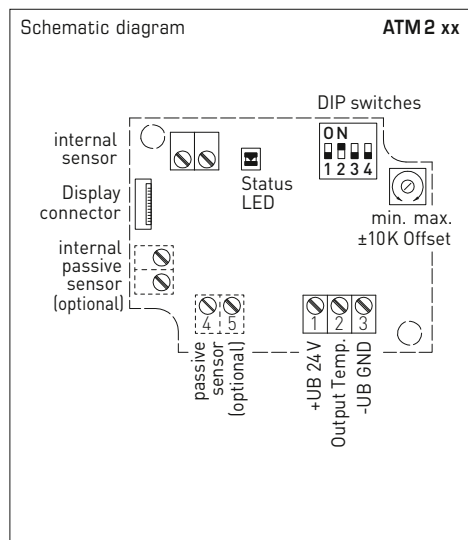
High-performance encapsulation against vibration, mechanical stress and humidity

PS-PROTECTION
PERFECT SENSOR PROTECTION

Automatic detection and switching to standard signal 0...10V or 4...20 mA

AOS-PATENTED
AUTOMATIC OUTPUT SWITCHING

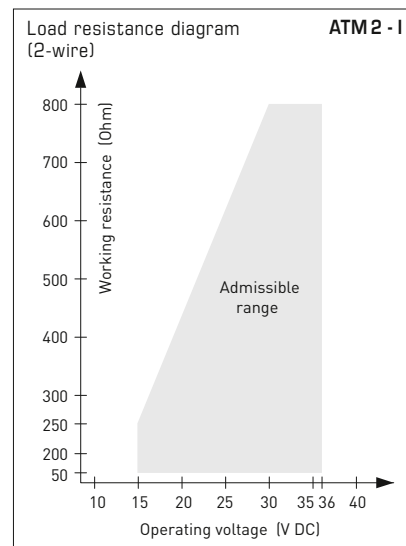
Outside temperature / wet room temperature measuring transducers, calibratable, with multi-range switching and active output (Automatic Output Switching)



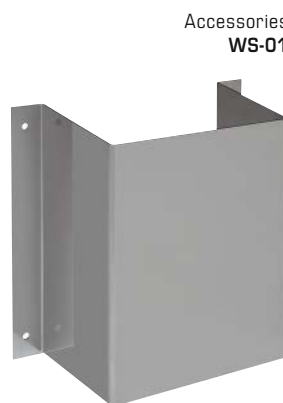
Measuring ranges [°C] (adjustable)	DIP 1	DIP 2	DIP 3
-20...+ 150 °C	ON	ON	ON
-50... + 50 °C	OFF	ON	ON
-20... + 80 °C	ON	OFF	ON
-30... + 60 °C	OFF	OFF	ON
0... + 40 °C	ON	ON	OFF
0... + 50 °C (default)	OFF	ON	OFF
0... + 100 °C	ON	OFF	OFF
0... + 150 °C	OFF	OFF	OFF

Display (switchable)	DIP 4
Imperial [°F]	ON
SI (default) [°C]	OFF

Display
Temperature [°C] → [°F]
The display value depends on the set unit system (DIP4).



For further technical information, see the operating instructions





NEW

Outside temperature / wet room temperature measuring transducers, calibratable, with multi-range switching and active output (Automatic Output Switching)

ATM 2 - Q
with M12 connector



ATM 2
with cable gland

THERMASGARD® ATM 2		Outside temperature / wet room temperature measuring transducers (with cable gland)		
Type / WG01	Output	Display	Item No.	Price
ATM 2 - I (2-wire)				
ATM2-I	4...20 mA		1101-1142-0009-900	103,55 €
ATM2-I LCD	4...20 mA	■	1101-1142-2009-900	155,98 €
ATM 2 - A (3-wire AOS)				
ATM2-A	0-10 V / 4...20 mA		1101-114E-0009-900	103,55 €
ATM2-A LCD	0-10 V / 4...20 mA	■	1101-114E-2009-900	155,98 €
Automatic Output Switching (AOS):	Patented analogueinterface (patent no. DE 10 2015 015 941 B4) Unit automatically detects the required output type 0-10 V or 4...20 mA.			
Housing variant:	Cable connection with cable gland			
Extra charge:	other measuring ranges optional			26,16 €
	with sun protection SS02		on request	10,03 €

THERMASGARD® ATM 2-Q		Outside temperature / wet room temperature measuring transducers (with M12 connector)		
Type / WG01	Output	Q / Display	Item No.	Price
ATM 2 - I Q (2-wire)				
ATM2-I Q	4...20 mA	●	2001-6111-2100-001	146,71 €
ATM2-I Q LCD	4...20 mA	● ■	2001-6112-2100-001	199,17 €
ATM 2 - A Q (3-wire AOS)				
ATM2-A Q	0-10 V / 4...20 mA	●	2001-6111-B100-001	146,71 €
ATM2-A Q LCD	0-10 V / 4...20 mA	● ■	2001-6112-B100-001	199,17 €
Automatic Output Switching (AOS):	Patented analogueinterface (patent no. DE 10 2015 015 941 B4) Unit automatically detects the required output type 0-10 V or 4...20 mA.			
Housing variant "Q":	Cable connection with M12 connector (male, 5-pin, A-code)			
Extra charge:	other measuring ranges optional			26,16 €
	with sun protection SS02		on request	10,03 €

ACCESSORIES				
WS-01	Sun and ball-impact protection hood, 184 x 180 x 80 mm, stainless steel V2A (1.4301)		7100-0040-2000-000	32,72 €
WS-04	Weather and sun protection hood, 130 x 180 x 135 mm, stainless steel V2A (1.4301)		7100-0040-7000-000	38,61 €
Special accessories for M12 connector see chapter Accessories!				

**Outside temperature / wet room temperature measuring transducers,
calibratable, with multi-range switching and
active output (Automatic Output Switching)**

Patented quality product (patent no. DE 10 2015 015 941 B4)

Calibratable outside temperature measuring transducer **THERMASGARD® ATM 2 - VA**, with eight switchable measuring ranges (max. $-20...+150\text{ }^{\circ}\text{C}$), active output, external sensor, rugged housing made from **stainless steel V4A**, with cable gland or M12 connector according to DIN EN 61076-2-101.

The measuring transducer converts the measured variables into a standard signal of 0 - 10 V or 4...20 mA. The unit with **Automatic Output Switching** (AOS variant) detects the required output type and automatically switches to U or I output. Alternatively, a **type version** (2-wire I variant) with 2-wire connection and I output is available.

It is used to detect outside temperatures, temperatures in wet rooms, e.g. for installation on outside walls, in cold storage buildings and greenhouses, in the industrial sector and in agriculture. Installation in outdoor areas preferably at the north side of a building or in a protected place. In case of direct solar irradiation, we recommend using our sun and ball-impact protection hood **WS01** or **WS03** (accessories). The sensor is factory-calibrated; an environmental precision adjustment by an expert is possible.

TECHNICAL DATA

ATM2 - I

Power supply:	15...36 V DC, depending on working resistance, residual ripple stabilised $\pm 0.3\text{ V}$
Working resistance:	$R_B\text{ (Ohm)} = (U_B - 14\text{ V}) / 0.02\text{ A}$
Connection type:	2-wire connection
Output:	4...20 mA

ATM2 - A (AOS)

Power supply:	24 V AC / DC ($\pm 10\%$)
Load resistance:	$R_L = 25...450\text{ Ohm}$ with AOS I variant $R_L > 15\text{ kOhm}$ with AOS U variant
Connection type:	3-wire connection
Output:	automatic 0-10 V / 4...20 mA (via Automatic Output Switching – the unit detects the required output type and automatically switches to U or I output)

GENERAL

Power consumption:	$< 1.0\text{ VA} / 24\text{ V DC}$; $< 2.2\text{ VA} / 24\text{ V AC}$
Measuring ranges:	multi-range switching with 8 measuring ranges , see table (other ranges optional) with manual zero point correction ($\pm 10\text{ K}$)
Sensor:	Pt1000, DIN EN 60751, class B (Perfect Sensor Protection)
Deviation, temperature:	typically $\pm 0.2\text{ K}$ at $+25\text{ }^{\circ}\text{C}$
Protective tube:	made from stainless steel V4A (1.4571), $\varnothing 6\text{ mm}$, NL = 65 mm
Housing:	stainless steel V4A (1.4571), with non-distortion cover bolting, impact resistant, high EMI shielding, corrosion, temperature, weather- and UV-resistant
Housing dimension:	143 x 97 x 61 mm (Tyr 2E)
Cable connection:	cable gland, stainless steel V2A (1.4305) (M20 x 1.5; with strain relief, exchangeable, inner diameter 6 - 12 mm) or M12 connector (male, 5-pin, A-code) according to DIN EN 61076-2-101
Electrical connection:	0.14 - 1.5 mm ² , via terminal screws
Process connection:	by means of screws
Ambient temperature:	measuring transducer $-30...+70\text{ }^{\circ}\text{C}$
Permissible humidity:	$< 95\%$ RH, non-precipitating air
Protection class:	III (according EN 60 730)
Protection type:	IP65 (according to EN 60 529) Housing tested, TÜV SÜD, Report No. 713160960B (Skadi2)
Standards:	CE conformity, electromagnetic compatibility according to EN 61326, according to EMC directive 2014 / 30 / EU

ACCESSORIES (see table)

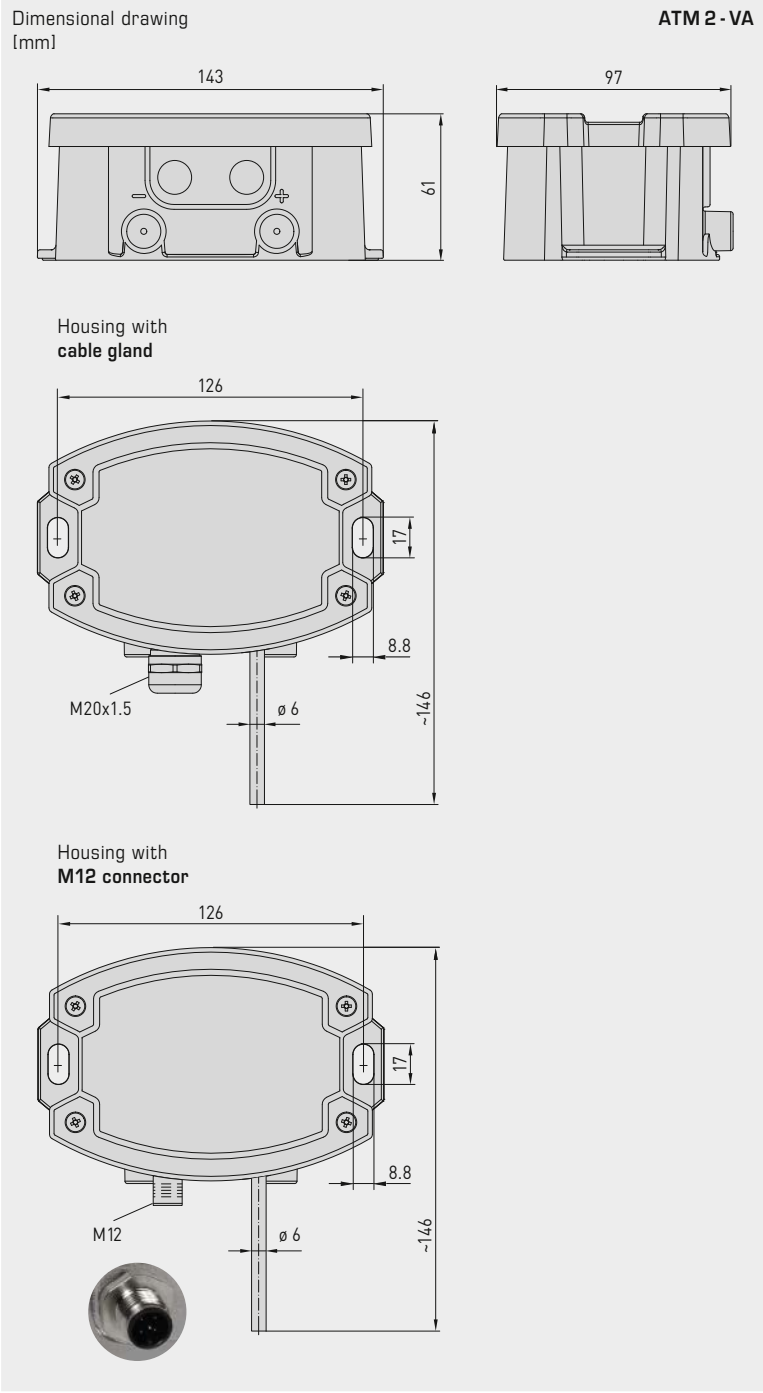


NEW

S+S REGELTECHNIK

Thermasgard® ATM 2 - VA

Outside temperature / wet room temperature measuring transducers, calibratable, with multi-range switching and active output (Automatic Output Switching)



ATM 2 - VA with cable gland



ATM 2 - VAQ with M12 connector



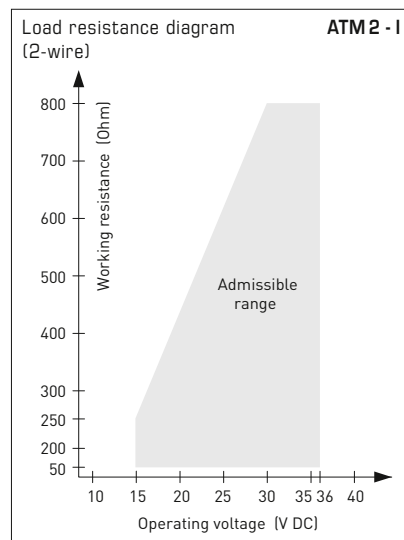
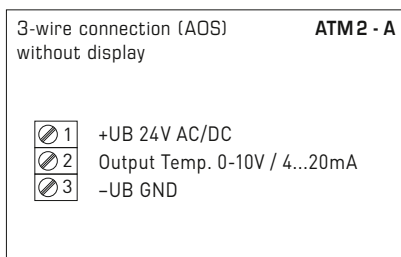
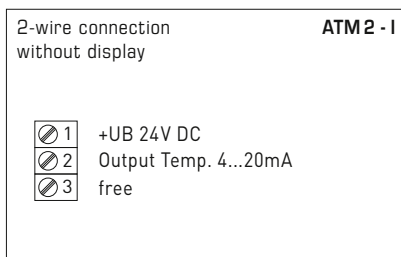
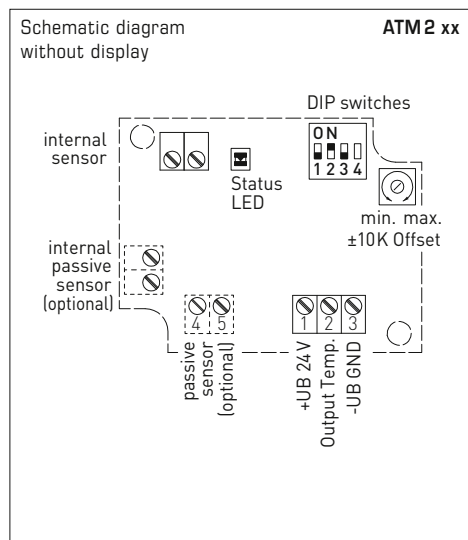
High-performance encapsulation against vibration, mechanical stress and humidity

PS-PROTECTION
PERFECT SENSOR PROTECTION

Automatic detection and switching to standard signal 0...10V or 4...20 mA

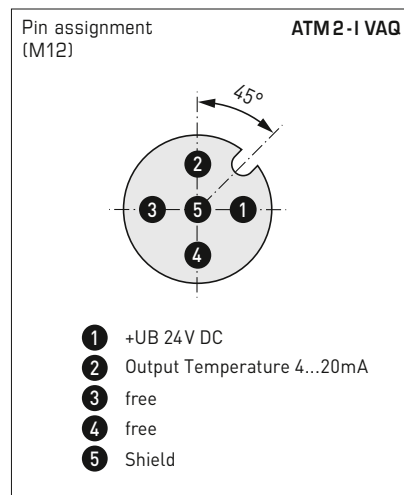
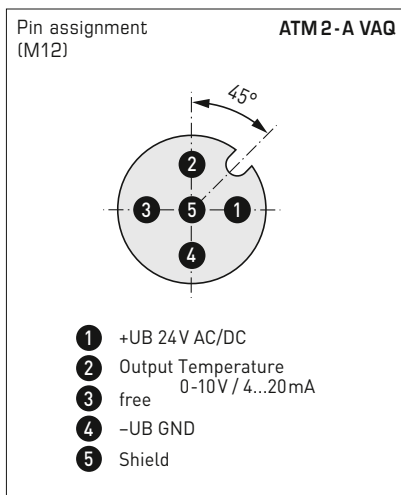
AOS-PATENTED
AUTOMATIC OUTPUT SWITCHING

Outside temperature / wet room temperature measuring transducers, calibratable, with multi-range switching and active output (Automatic Output Switching)



Measuring ranges [°C] (adjustable)	DIP 1	DIP 2	DIP 3
-20...+ 150 °C	ON	ON	ON
-50... + 50 °C	OFF	ON	ON
-20... + 80 °C	ON	OFF	ON
-30... + 60 °C	OFF	OFF	ON
0... + 40 °C	ON	ON	OFF
0... + 50 °C (default)	OFF	ON	OFF
0... + 100 °C	ON	OFF	OFF
0... + 150 °C	OFF	OFF	OFF

DIP4 has no function!

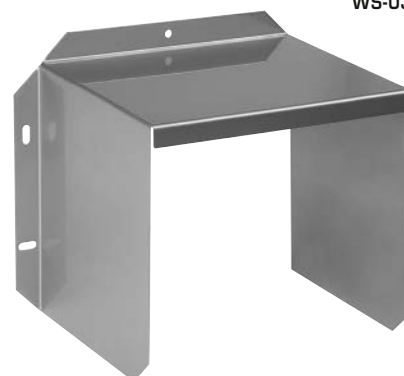


For further technical information, see the operating instructions

Accessories WS-01



Accessories WS-03





NEW

S+S REGELTECHNIK

THERMASGARD® ATM 2 - VA

Outside temperature / wet room temperature measuring transducers, calibratable, with multi-range switching and active output (Automatic Output Switching)



ATM 2 - VAQ
with M12 connector



ATM 2 - VA
with cable gland



THERMASGARD® ATM 2 - VA		Outside temperature / wet room temperature measuring transducers, <i>ID</i> (Stainless steel housing with cable gland)	
Type / WG02I	Output	Item No.	Price
ATM 2 - I VA	(2-wire)		
ATM2-I VA	4...20 mA	2001-6171-2200-001	388,67 €
ATM 2 - A VA	(3-wire AOS)		
ATM2-A VA	0-10 V / 4...20 mA	2001-6171-B200-001	388,67 €
Automatic Output Switching (AOS):	Patented analogueinterface (patent no. DE 10 2015 015 941 B4) Unit automatically detects the required output type 0-10 V or 4...20 mA.		
Housing variant:	Cable connection with cable gland		
Extra charge:	other measuring ranges optional		26,16 €

THERMASGARD® ATM 2 - VAQ		Outside temperature / wet room temperature measuring transducers, <i>ID</i> (Stainless steel housing with M12 connector)	
Type / WG02I	Output	● = Q Item No.	Price
ATM 2 - I VAQ	(2-wire)		
ATM2-I VAQ	4...20 mA	● 2001-6171-2100-001	428,36 €
ATM 2 - A VAQ	(3-wire AOS)		
ATM2-A VAQ	0-10 V / 4...20 mA	● 2001-6171-B100-001	428,36 €
Automatic Output Switching (AOS):	Patented analogueinterface (patent no. DE 10 2015 015 941 B4) Unit automatically detects the required output type 0-10 V or 4...20 mA.		
Housing variant "Q":	Cable connection with M12 connector (male, 5-pin, A-code)		
Extra charge:	other measuring ranges optional		26,16 €

ACCESSORIES			
WS-01	Sun and ball-impact protection hood, 184 x 180 x 80 mm, stainless steel V2A (1.4301)	7100-0040-2000-000	32,72 €
WS-03	Weather and sun protection hood, 200 x 180 x 150 mm, stainless steel V2A (1.4301)	7100-0040-6000-000	46,08 €
Special accessories for M12 connector see chapter Accessories!			

Patented quality product (patent no. DE 10 2012 017 500.0 and DE 10 2015 015 941 B4)

Calibratable temperature measuring transducer **THERMASGARD® TM43**, with eight switchable measuring ranges (max. -20...+150 °C), active output, straight protective tube, housing made from impact-resistant plastic with snap-on lid (IP54), optionally with or without display. The measuring transducer converts the measured variables into a standard signal of 0-10V or 4...20mA. Available as a U variant (3-wire) or I variant (2-wire).

Calibratable temperature measuring transducer **THERMASGARD® TM65**, with eight switchable measuring ranges (max. -20...+150 °C), active output, straight protective tube, housing made from impact-resistant plastic with quick-locking screws (IP67), optionally with or without display. The standard display can be changed from SI [°C] to imperial [°F] units via DIP switch. The measuring transducer converts the measured variables into a standard signal of 0-10V or 4...20mA. The unit with **Automatic Output Switching (AOS)** detects the required output type and automatically switches to U or I output. Alternatively, a **type version** (2-wire) with 2-wire connection and I output is available.

For the detection of temperatures in liquid or gaseous media. For aggressive media, stainless steel immersion sleeves must be used. It is used e.g. in piping systems, in heating technology, in storage tanks, in district heating compact stations, in hot-water and cold-water systems, in oil and lubricant circulation systems, in mechanical, apparatus and plant engineering as well as in the entire industrial sector. The sensor is factory-calibrated; an environmental precision adjustment by an expert is possible.

TM43
with snap-on lid
(IP54)



TM65
with quick-locking screws
(IP67)



TECHNICAL DATA

TMxx - U

Power supply:	24 V AC / DC (± 10 %)
Load resistance:	$R_L > 15 \text{ k}\Omega$ with U variant (TM43)
Connection type:	3-wire connection
Output:	0-10V

TMxx - I

Power supply:	15...36 V DC, depending on working resistance, residual ripple stabilised ± 0.3V
Working resistance:	$R_a \text{ (Ohm)} = (U_b - 14 \text{ V}) / 0.02 \text{ A}$
Connection type:	2-wire connection
Output:	4...20 mA

TMxx - A (AOS)

Power supply:	24 V AC / DC (± 10 %)
Load resistance:	$R_L = 25...450 \text{ Ohm}$ with AOS I variant $R_L > 15 \text{ k}\Omega$ with AOS U variant
Connection type:	3-wire connection
Output:	automatic 0-10V / 4...20 mA (via Automatic Output Switching – the unit detects the required output type and automatically switches to U or I output.)

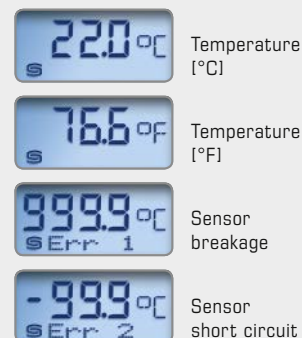
GENERAL

Power consumption:	< 1.0 VA / 24 V DC; < 2.2 VA / 24 V AC
System of units:	SI (default) or imperial (TM65 can be changed via DIP switch)
Data points:	temperature [°C] [°F]
Measuring ranges:	multi-range switching with 8 measuring ranges , see table (other ranges optional) with manual zero point correction (± 10K)
Sensor:	Pt1000, DIN EN 60751, class B (Perfect Sensor Protection)
Deviation, temperature:	typically ± 0.2K at +25 °C
Protective tube:	stainless steel, V4A (1.4571), Ø = 6 mm, inserted length (EL) = 50-400 mm (see table)
Housing:	plastic, UV-resistant, material polyamide, 30% glass-globe reinforced, colour traffic white (similar to RAL 9016), housing cover for display is transparent! TM43 with snap-on lid TM65 with quick-locking screws (slotted / Phillips head combination)
Housing dimension:	72 x 64 x 37.8 mm (Tyr1 without display) 72 x 64 x 43.3 mm (Tyr1 with display)
Cable connection:	cable gland , plastic (M16 x 1.5; with strain relief, exchangeable, max. inner diameter 10.4 mm) or M12 connector according to DIN EN 61076-2-101 (optional on request)
Electrical connection:	0.14 - 1.5 mm², via terminal screws
Ambient temperature:	measuring transducer -30...+70 °C
Permitted humidity:	< 95 % RH, non-precipitating air
Protection class:	III (according to EN 60 730)
Protection type:	TM43 IP54 (according to EN 60 529)* Housing tested, TÜV SÜD, Report No. 713160960A (Tyr 01) TM65 IP67 (according to EN 60 529)* Housing tested, TÜV SÜD, Report No. 713139052 (Tyr 1) * Housing in the built-in state
Standards:	CE conformity, electromagnetic compatibility according to EN 61326, according to EMC directive 2014 / 30 / EU
Optional:	two-line display with illumination , cutout approx. 36 x 15 mm (W x H), for displaying the ACTUAL temperature and the internal diagnostics (sensor breakage, sensor short circuit)

ACCESSORIES

(see table)

Display and internal diagnostics
THERMASGARD®
Measuring transducer with display





NEW

S+S REGELTECHNIK

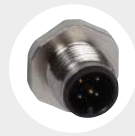
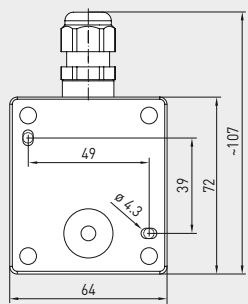
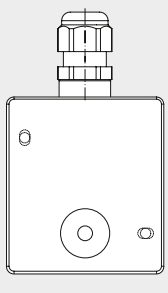
THERMASGARD® TM 43
THERMASGARD® TM 65

Immersion / screw-in / duct temperature measuring transducer,
calibratable, with multi-range switching
and active output (Automatic Output Switching)

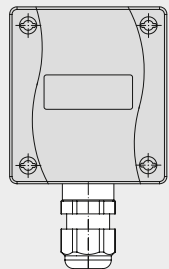
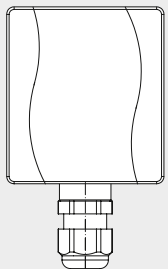
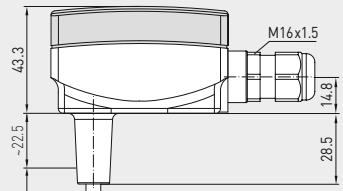
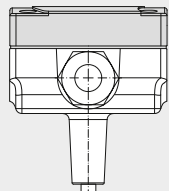
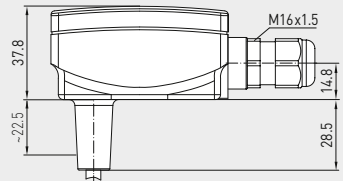
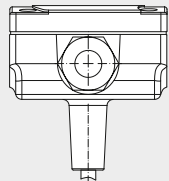


Dimensional drawing
(mm)

TM 43
TM 65

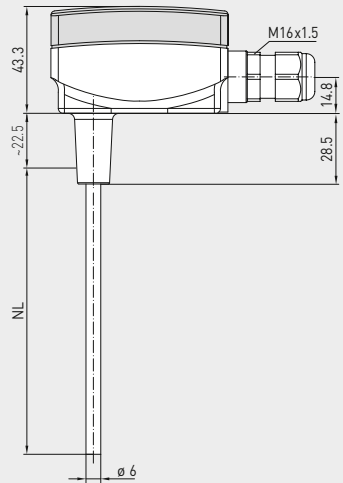


M12 connector
(optional on request)



with snap-on lid

with quick-locking
screws



TM 43
with display and
snap-on lid
(IP54)



TM 65
with display and
quick-locking screws
(IP67)



High-performance encapsulation against
vibration, mechanical stress and humidity

Automatic detection and switching
to standard signal 0...10V or 4...20 mA

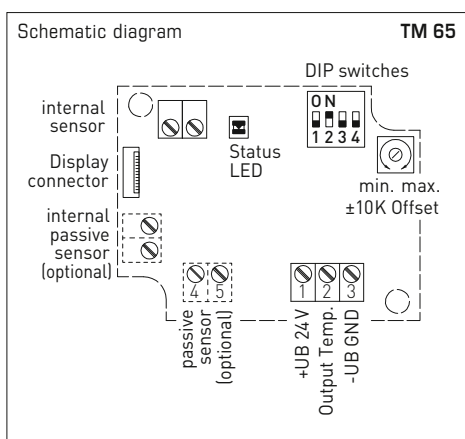
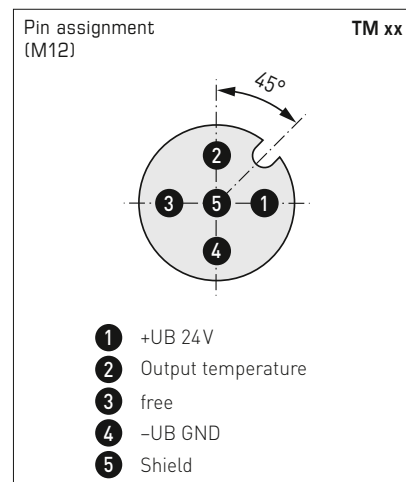
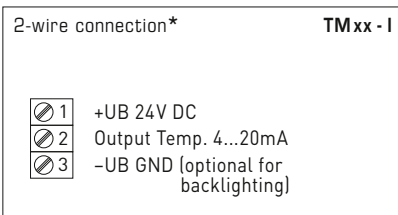
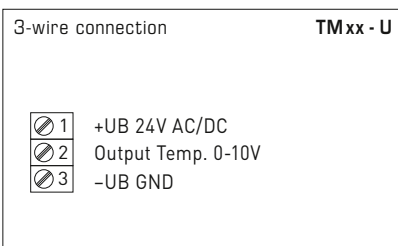
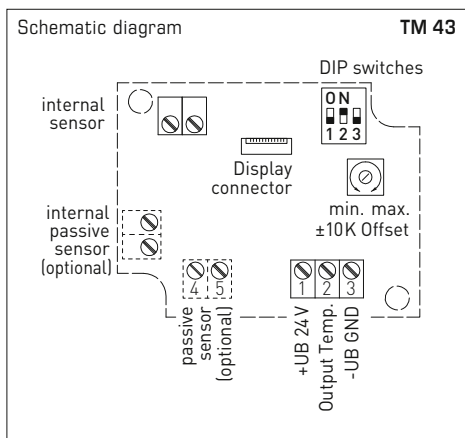
PS-PROTECTION
PERFECT SENSOR PROTECTION

AOS-PATENTED
AUTOMATIC OUTPUT SWITCHING

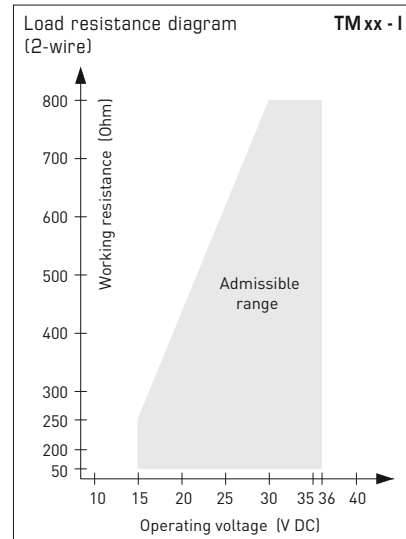
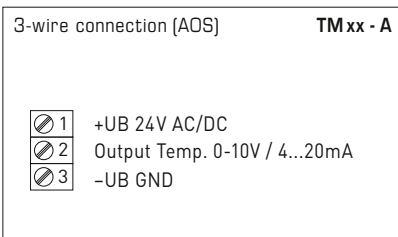


TM 65
Basic device
with accessories





* 2-wire connection for devices with / without display (not illuminated)
3-wire connection for devices with illuminated display



Measuring ranges [°C] (adjustable)	DIP 1	DIP 2	DIP 3
-20...+ 150 °C	ON	ON	ON
-50... + 50 °C	OFF	ON	ON
-20... + 80 °C	ON	OFF	ON
-30... + 60 °C	OFF	OFF	ON
0... + 40 °C	ON	ON	OFF
0... + 50 °C (default)	OFF	ON	OFF
0...+ 100 °C	ON	OFF	OFF
0...+ 150 °C	OFF	OFF	OFF

Display (switchable)	DIP 4
Imperial	[°F] ON
SI (default)	[°C] OFF

TM 65 Display
Temperature [°C] → [°F]
The display value depends on the set unit system (DIP4).



For further technical information, see the operating instructions



TM43
(IP 54)



TM65
(IP 67)





NEW

S+S REGELTECHNIK

THERMASGARD® TM 43
THERMASGARD® TM 65

Immersion / screw-in / duct temperature measuring transducer,
calibratable, with multi-range switching
and active output (Automatic Output Switching)

THERMASGARD® TM 43 Temperature measuring transducer (basic device with snap-on lid), <i>Standard</i>					
Type / WG01B	Output	Inserted Length (EL)	Display	Item No.	Price
TM 43-I	(2-wire)			IP54	
TM43-I 50mm	4...20mA	50 mm		1101-7112-0019-900	74,46 €
TM43-I 50mm LCD	4...20mA	50 mm	■	1101-7112-2019-900	142,81 €
TM43-I 100mm	4...20mA	100 mm		1101-7112-0029-900	75,68 €
TM43-I 100mm LCD	4...20mA	100 mm	■	1101-7112-2029-900	144,02 €
TM43-I 150mm	4...20mA	150 mm		1101-7112-0039-900	76,79 €
TM43-I 150mm LCD	4...20mA	150 mm	■	1101-7112-2039-900	145,14 €
TM43-I 200mm	4...20mA	200 mm		1101-7112-0049-900	77,16 €
TM43-I 200mm LCD	4...20mA	200 mm	■	1101-7112-2049-900	145,51 €
TM43-I 250mm	4...20mA	250 mm		1101-7112-0059-900	78,44 €
TM43-I 250mm LCD	4...20mA	250 mm	■	1101-7112-2059-900	147,58 €
TM43-I 300mm	4...20mA	300 mm		1101-7112-0069-900	79,72 €
TM43-I 300mm LCD	4...20mA	300 mm	■	1101-7112-2069-900	148,06 €
TM 43-U	(3-wire)			IP54	
TM43-U 50mm	0-10V	50 mm		1101-7111-0019-900	74,46 €
TM43-U 50mm LCD	0-10V	50 mm	■	1101-7111-2019-900	142,81 €
TM43-U 100mm	0-10V	100 mm		1101-7111-0029-900	75,68 €
TM43-U 100mm LCD	0-10V	100 mm	■	1101-7111-2029-900	144,02 €
TM43-U 150mm	0-10V	150 mm		1101-7111-0039-900	76,79 €
TM43-U 150mm LCD	0-10V	150 mm	■	1101-7111-2039-900	145,14 €
TM43-U 200mm	0-10V	200 mm		1101-7111-0049-900	77,16 €
TM43-U 200mm LCD	0-10V	200 mm	■	1101-7111-2049-900	145,51 €
TM43-U 250mm	0-10V	250 mm		1101-7111-0059-900	78,44 €
TM43-U 250mm LCD	0-10V	250 mm	■	1101-7111-2059-900	147,58 €
TM43-U 300mm	0-10V	300 mm		1101-7111-0069-900	79,72 €
TM43-U 300mm LCD	0-10V	300 mm	■	1101-7111-2069-900	148,06 €
THERMASGARD® TM 65 Temperature measuring transducer (basic device with quick-locking screws), <i>Premium</i>					
Type / WG01	Output	Inserted Length (EL)	Display	Item No.	Price
TM 65-I	(2-wire)			IP67	
TM65-I 50mm	4...20mA	50 mm		1101-7122-0019-900	103,19 €
TM65-I 50mm LCD	4...20mA	50 mm	■	1101-7122-2019-900	155,64 €
TM65-I 100mm	4...20mA	100 mm		1101-7122-0029-900	103,47 €
TM65-I 100mm LCD	4...20mA	100 mm	■	1101-7122-2029-900	155,91 €
TM65-I 150mm	4...20mA	150 mm		1101-7122-0039-900	103,70 €
TM65-I 150mm LCD	4...20mA	150 mm	■	1101-7122-2039-900	156,17 €
TM65-I 200mm	4...20mA	200 mm		1101-7122-0049-900	103,92 €
TM65-I 200mm LCD	4...20mA	200 mm	■	1101-7122-2049-900	156,37 €
TM65-I 250mm	4...20mA	250 mm		1101-7122-0059-900	104,25 €
TM65-I 250mm LCD	4...20mA	250 mm	■	1101-7122-2059-900	156,69 €
TM65-I 300mm	4...20mA	300 mm		1101-7122-0069-900	105,03 €
TM65-I 300mm LCD	4...20mA	300 mm	■	1101-7122-2069-900	157,46 €
TM65-I 400mm	4...20mA	400 mm		1101-7122-0089-900	107,14 €
TM65-I 400mm LCD	4...20mA	400 mm	■	1101-7122-2089-900	159,60 €
TM 65-A	* (3-wire AOS)			IP67	
TM65-A 50mm	0-10V / 4...20mA	50 mm		1101-712E-0019-900	103,19 €
TM65-A 50mm LCD	0-10V / 4...20mA	50 mm	■	1101-712E-2019-900	155,64 €
TM65-A 100mm	0-10V / 4...20mA	100 mm		1101-712E-0029-900	103,47 €
TM65-A 100mm LCD	0-10V / 4...20mA	100 mm	■	1101-712E-2029-900	155,91 €
TM65-A 150mm	0-10V / 4...20mA	150 mm		1101-712E-0039-900	103,70 €
TM65-A 150mm LCD	0-10V / 4...20mA	150 mm	■	1101-712E-2039-900	156,17 €
TM65-A 200mm	0-10V / 4...20mA	200 mm		1101-712E-0049-900	103,92 €
TM65-A 200mm LCD	0-10V / 4...20mA	200 mm	■	1101-712E-2049-900	156,37 €
TM65-A 250mm	0-10V / 4...20mA	250 mm		1101-712E-0059-900	104,25 €
TM65-A 250mm LCD	0-10V / 4...20mA	250 mm	■	1101-712E-2059-900	156,69 €
TM65-A 300mm	0-10V / 4...20mA	300 mm		1101-712E-0069-900	105,03 €
TM65-A 300mm LCD	0-10V / 4...20mA	300 mm	■	1101-712E-2069-900	157,46 €
TM65-A 400mm	0-10V / 4...20mA	400 mm		1101-712E-0089-900	107,14 €
TM65-A 400mm LCD	0-10V / 4...20mA	400 mm	■	1101-712E-2089-900	159,60 €
Automatic Output Switching:	* patented analogue interface (patent no. DE 10 2015 015 941 B4) Unit automatically detects the required output type 0-10V or 4...20mA.				
Extra charge:	Cable connection with M12 connector according to DIN EN 61076-2-101			on request	

Immersion / screw-in / duct temperature measuring transducer,
calibratable, with multi-range switching
and active output (Automatic Output Switching)

One basic device in four variants ...



PATENTED
DE 10 2012 017 500.0

**TMxx +
TH08-ms/xx**

Immersion / screw-in
temperature sensor
with immersion sleeve, brass,
nickel-plated / galvanised

**TMxx +
TH08-VA/xx**

Immersion / screw-in
temperature sensor
with immersion sleeve,
stainless steel, V4A

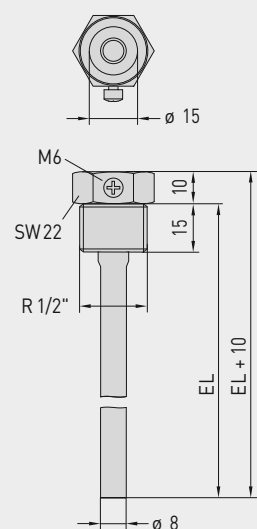
**TMxx +
TH08-VA/xx/90**

Immersion / screw-in
temperature sensor with
immersion sleeve with neck
tube, stainless steel, V4A

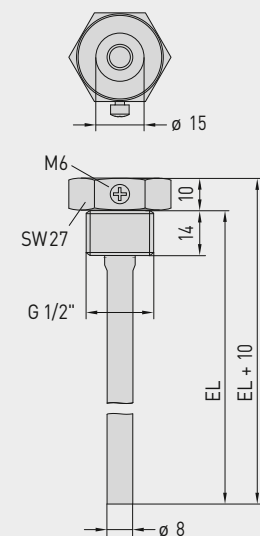
**TMxx +
MF-15-K**

Duct temperature sensor
with mounting flange, plastic

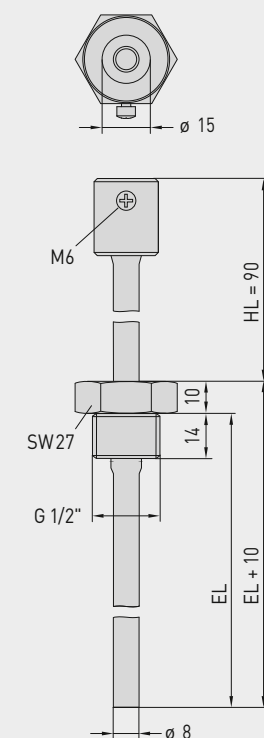
Dimensional drawing
TH08-ms/xx
(mm)



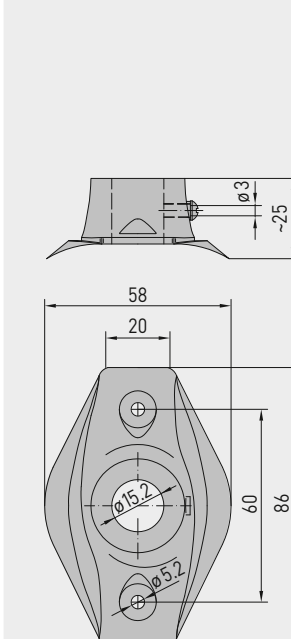
Dimensional drawing
TH08-VA/xx
(mm)



Dimensional drawing
TH08-VA/xx/90
(mm)



Dimensional drawing
MF-15-K
(mm)





... through combination with accessories:



TH08-ms/xx
 Immersion sleeve,
 brass, nickel-plated / galvanised,
 thread-sealing, conical,
 according to DIN 10226



TH08-VA/xx
 Immersion sleeve,
 stainless steel, V4A,
 flat-sealing, cylindrical,
 according to DIN 228



TH08-VA/xx/90
 Immersion sleeve with neck tube,
 stainless steel, V4A,
 flat-sealing, cylindrical,
 according to DIN 228



MF-15-K
 Mounting flange,
 plastic

THERMASGARD® TH08 Immersion sleeve Ø 8 mm (Accessories)					
Type / WG01B	p _{max} (static)	T _{max}	Inserted Length (EL)	Item No.	Price
TH08-ms/xx	Brass nickel-plated / galvanised			without neck tube	
TH08-MS 50MM	10 bar	+150 °C	50 mm	7100-0011-0010-132	12,90 €
TH08-MS 100MM	10 bar	+150 °C	100 mm	7100-0011-0020-132	13,50 €
TH08-MS 150MM	10 bar	+150 °C	150 mm	7100-0011-0030-132	14,60 €
TH08-MS 200MM	10 bar	+150 °C	200 mm	7100-0011-0040-132	15,62 €
TH08-MS 250MM	10 bar	+150 °C	250 mm	7100-0011-0050-132	18,09 €
TH08-MS 300MM	10 bar	+150 °C	300 mm	7100-0011-0060-132	18,90 €
TH08-MS 350MM	10 bar	+150 °C	350 mm	7100-0011-0070-132	19,40 €
TH08-MS 400MM	10 bar	+150 °C	400 mm	7100-0011-0080-132	19,90 €
TH08-VA/xx	Stainless steel, V4A (1.4571)			without neck tube	
TH08-VA 50MM	40 bar	+600 °C	50 mm	7100-0012-0010-132	22,24 €
TH08-VA 100MM	40 bar	+600 °C	100 mm	7100-0012-0020-132	24,50 €
TH08-VA 150MM	40 bar	+600 °C	150 mm	7100-0012-0030-132	26,50 €
TH08-VA 200MM	40 bar	+600 °C	200 mm	7100-0012-0040-132	27,80 €
TH08-VA 250MM	40 bar	+600 °C	250 mm	7100-0012-0050-132	34,60 €
TH08-VA 300MM	40 bar	+600 °C	300 mm	7100-0012-0060-132	36,20 €
TH08-VA 350MM	40 bar	+600 °C	350 mm	7100-0012-0070-132	36,90 €
TH08-VA 400MM	40 bar	+600 °C	400 mm	7100-0012-0080-132	37,90 €
TH08-VA/xx/90	Stainless steel, V4A (1.4571)			with neck tube (90 mm)	
TH08-VA 50/90MM	40 bar	+600 °C	50 mm	7100-0012-0012-132	29,91 €
TH08-VA 100/90MM	40 bar	+600 °C	100 mm	7100-0012-0022-132	31,26 €
TH08-VA 150/90MM	40 bar	+600 °C	150 mm	7100-0012-0032-132	32,80 €
TH08-VA 200/90MM	40 bar	+600 °C	200 mm	7100-0012-0042-132	34,19 €
TH08-VA 250/90MM	40 bar	+600 °C	250 mm	7100-0012-0052-132	35,83 €
TH08-VA 300/90MM	40 bar	+600 °C	300 mm	7100-0012-0062-132	38,84 €
Note:	inner diameter of socket 15.0 mm For further information see last chapter!				
Mounting flange (Accessories)					
Type / WG01B		T _{max}		Item No.	Price
MF					
MF-15-K	Mounting flange, plastic, 56.8x84.3mm, Ø 15.2mm tube gland	+100 °C		7100-0032-0000-000	6,30 €
Note:	For further information see last chapter!				

Mean value / rod / duct temperature measuring transducer,
including mounting flange, calibratable, with multi-range switching
and active output (Automatic Output Switching)

Patented quality product (patent no. DE 10 2015 015 941 B4)

Calibratable mean-value temperature measuring transducer **THERMASGARD® MWTM** (rod sensor 0.4...20 m), with eight switchable measuring ranges (max. -20...+150 °C), active output, housing made from impact-resistant plastic with quick-locking screws, with bendable sensor rod (fully active), protective tube made from copper, plastic-coated, and anti-kink spring, incl. mounting flange, optionally with or without display. The standard display can be changed from SI [°C] to imperial [°F] units via DIP switch. The measuring transducer converts the measured variables into a standard signal of 0-10V or 4...20 mA. The unit with **Automatic Output Switching** (AOS) detects the required output type and automatically switches to U or I output. Alternatively, a **type version** (2-wire) with 2-wire connection and I output is available.

Calibratable mean-value temperature measuring transducer **THERMASGARD® MWTM-SD** (rod sensor 3 m / 6 m) with eight switchable measuring ranges (max. -20...+150 °C), active output, housing made from impact-resistant plastic with snap-on lid, with bendable sensor rod (fully active), protective tube made from reinforced thermoplastic hose and anti-kink spring, incl. mounting flange. The measuring transducer converts the measured variables into a standard signal of 0-10V or 4...20 mA. Available as a U variant (3-wire) or I variant (2-wire).

The sensor is used to detect the mean temperature (mean value) in gaseous media, e.g. in ventilation and air conditioning ducts over the entire cross section or over a defined length. Laid along a meandering route, it uniformly detects the surrounding temperature, as a duct temperature sensor. For proper mounting of the rod, mounting clamps **MK-05-M** (accessories) are available. The sensor is factory-calibrated; an environmental precision adjustment by an expert is possible.

MWTM
Rod length 0.4 m / 3 m / 6 m
(IP 65)



MWTM-SD
Rod length 3 m / 6 m
(IP 54)



TECHNICAL DATA

MWTM - U

Power supply:	24 V AC / DC (± 10%)
Load resistance:	$R_L > 15 \text{ k}\Omega$ with U variant (MWTM-SD)
Connection type:	3-wire connection
Output:	0-10V

MWTM - I

Power supply:	15...36 V DC, depending on working resistance, residual ripple stabilised ± 0.3V
Working resistance:	$R_a \text{ (Ohm)} = (U_b - 14 \text{ V}) / 0.02 \text{ A}$
Connection type:	2-wire connection
Output:	4...20 mA

MWTM - A (AOS)

Power supply:	24 V AC / DC (± 10%)
Load resistance:	$R_L = 25...450 \text{ Ohm}$ with AOS I variant $R_L > 15 \text{ k}\Omega$ with AOS U variant
Connection type:	3-wire connection
Output:	automatic 0-10 V / 4...20 mA (via Automatic Output Switching – the unit detects the required output type and automatically switches to U or I output)

GENERAL

Power consumption:	< 1.0 VA / 24 V DC; < 2.2 VA / 24 V AC
System of units:	SI (default) or imperial (MWTM can be changed via DIP switch)
Data points:	temperature [°C] [°F]
Measuring ranges:	multi-range switching with 8 measuring ranges , see table (other ranges optional) $T_{min} -30 \text{ °C}$, $T_{max} +80 \text{ °C}$ with manual zero point correction (± 10K)
Sensor:	Pt1000, DIN EN 60751, class B
Deviation, temperature:	typically ± 0.2 K at +25 °C
Sensors:	active across the entire length (averaging)
Rod material:	protective tube made from copper, plastic-coated (MWTM) (made from reinforced thermoplastic hose for the MWTM-SD), with anti-kink spring and sleeve, stainless steel V4A (1.4571)
Rod dimensions:	$\varnothing = 5.0 \text{ mm}$, nominal length (NL) = 0.4 m / 3 m / 6 m (nominal length optionally up to max. 20 m), see table
Rod laying:	Observe the admissible values! Bending radius: > 35 mm Vibration load: ≤ 0.5 g Tensile load: < 480 N (MWTM) / < 100 N (MWTM-SD)
Housing:	plastic, UV-resistant, material polyamide, 30% glass-globe reinforced, colour traffic white (similar to RAL 9016) MWTM-SD with snap-on lid MWTM with quick-locking screws (slotted / Phillips head combination), housing cover for display is transparent!
Housing dimension:	72 x 64 x 37.8 mm (Tyr 1 without display) 72 x 64 x 43.3 mm (Tyr 1 with display)
Cable connection:	cable gland , plastic (M 16 x 1.5; with strain relief, exchangeable, max. inner diameter 10.4 mm) or M12 connector according to DIN EN 61076-2-101 (optional on request)
Electrical connection:	0.14 - 1.5 mm ² , via terminal screws

Continued on next page!



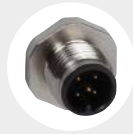
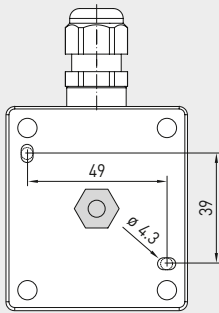
NEW

S+S REGELTECHNIK

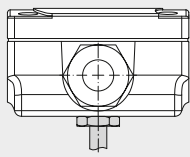
THERMASGARD® MWTM
THERMASGARD® MWTM-SD

Mean value / rod / duct temperature measuring transducer,
including mounting flange, calibratable, with multi-range switching
and active output (Automatic Output Switching)

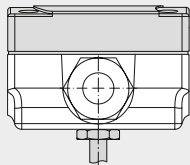
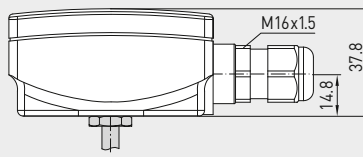
Dimensional drawing
(mm)



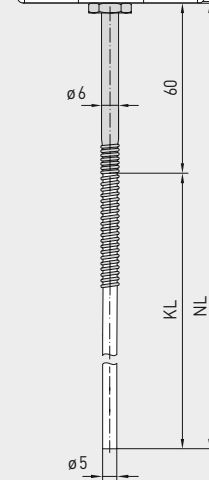
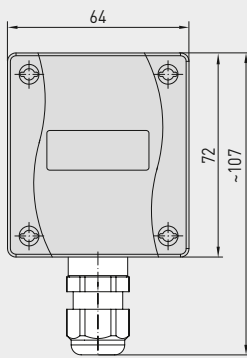
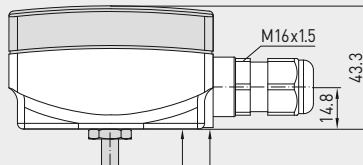
M12 connector
(optional on request)



without display



with display



MWTM

MWTM
Rod length 0.4 m / 3 m / 6 m
with Display
(IP65)



Automatic detection and switching to
standard signal 0...10V or 4...20 mA



AOS-PATENTED
AUTOMATIC OUTPUT SWITCHING

TECHNICAL DATA

(continued)

Process connection:	by mounting flange, plastic MF-06-K (included in the scope of delivery, galvanised steel optional) and mounting clamps MK-05-M (from 3m rod length, included in the scope of delivery)
Ambient temperature:	measuring transducer -30...+70 °C
Permitted humidity:	< 95 % RH, non-precipitating air
Protection class:	III (according to EN 60 730)
Protection type:	MWTM-SD IP 54 (according to EN 60 529) Housing tested, TÜV SÜD, Report No. 713160960A (Tyr 01) MWTM IP 65 (according to EN 60 529) Housing tested, TÜV SÜD, Report No. 713139052 (Tyr 1)
Standards:	CE conformity, electromagnetic compatibility according to EN 61326, according to EMC directive 2014 / 30 / EU
Optional:	two-line display with illumination , cutout approx. 36 x 15 mm (W x H), for displaying the ACTUAL temperature and the internal diagnostics (sensor breakage, sensor short circuit)
ACCESSORIES	(see table)

Display and internal diagnostics
THERMASGARD®
Measuring transducer with display



Temperature
[°C]



Temperature
[°F]

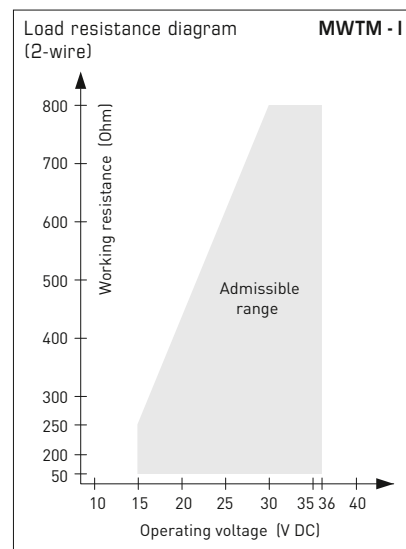
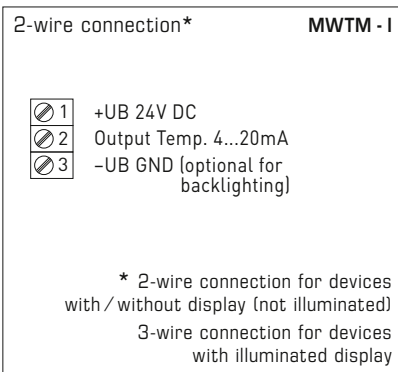
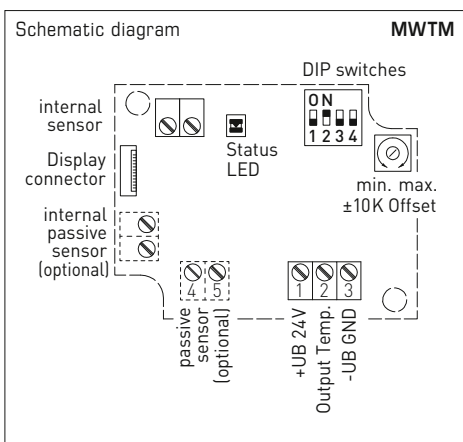
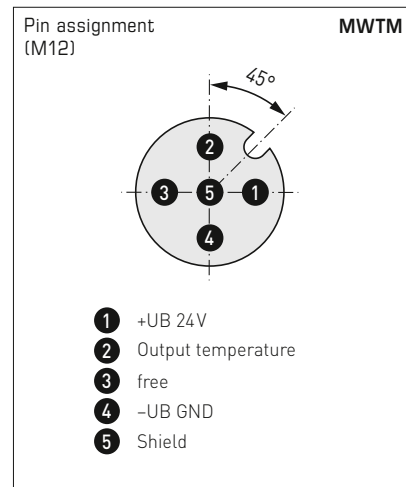
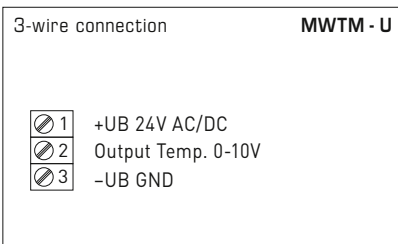
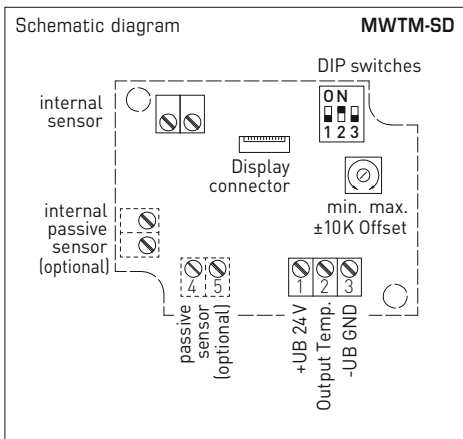


Sensor
breakage

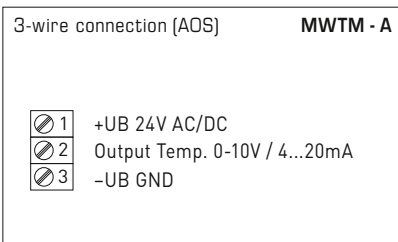


Sensor
short circuit

Mean value / rod / duct temperature measuring transducer,
including mounting flange, calibratable, with multi-range switching
and active output (Automatic Output Switching)



Measuring ranges [°C] (adjustable)	DIP 1	DIP 2	DIP 3
-20... +150 °C	ON	ON	ON
-50... +50 °C	OFF	ON	ON
-20... +80 °C	ON	OFF	ON
-30... +60 °C	OFF	OFF	ON
0... +40 °C	ON	ON	OFF
0... +50 °C (default)	OFF	ON	OFF
0... +100 °C	ON	OFF	OFF
0... +150 °C	OFF	OFF	OFF

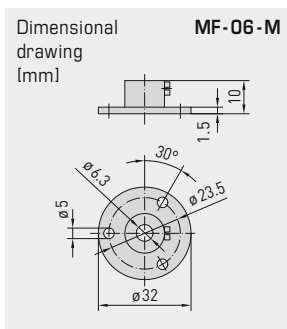
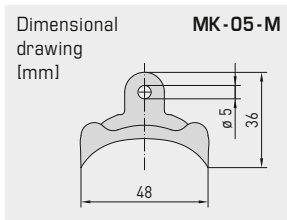
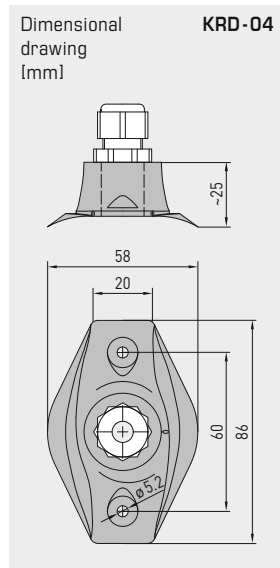
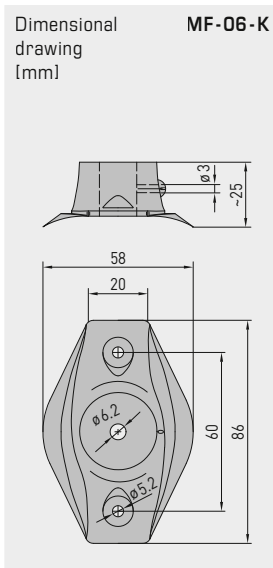


Display (switchable)	DIP 4
Imperial [°F]	ON
SI (default) [°C]	OFF

MWTM Display Temperature [°C] → [°F]
The display value depends on the set unit system (DIP4).



For further technical information, see the operating instructions



MF-06-K
Mounting flange, plastic
(Included in the scope of delivery)



KRD-04
Capillary tube bushing, plastic (optional)



MK-05-M
Mounting clamps, galvanised steel (from 3 m rod length, included in the scope of delivery)



MF-06-M
Mounting flange, metal (optional)





NEW

S+S REGELTECHNIK

THERMASGARD® MWTM
THERMASGARD® MWTM-SD

Mean value / rod / duct temperature measuring transducer,
including mounting flange, calibratable, with multi-range switching
and active output (Automatic Output Switching)



THERMASGARD® MWTM-SD		Mean-value temperature measuring transducer with rod made from reinforced thermoplastic hose (black), <i>Standard</i>			
Type / WG01B	Output	Rod length	(without display)	Item No.	Price
MWTM-SD-I	(2-wire)			IP54	
MWTM-SD-I 3m	4...20 mA	3.0 m		1101-3132-0239-90K	165,27 €
MWTM-SD-I 6m	4...20 mA	6.0 m		1101-3132-0269-90K	175,50 €
MWTM-SD-U	(3-wire)			IP54	
MWTM-SD-U 3m	0-10 V	3.0 m		1101-3131-0239-90K	165,27 €
MWTM-SD-U 6m	0-10 V	6.0 m		1101-3131-0269-90K	175,50 €

THERMASGARD® MWTM		Mean-value temperature measuring transducer with rod made from copper, plastic-coated (blue), <i>Premium</i>			
Type / WG01	Output	Rod length	Display	Item No.	Price
MWTM-I	(2-wire)			IP65	
MWTM-I 0,4m	4...20 mA	0.4 m		1101-3132-0089-900	176,49 €
MWTM-I 0,4m LCD	4...20 mA	0.4 m	■	1101-3132-1089-900	227,79 €
MWTM-I 3m	4...20 mA	3.0 m		1101-3132-0239-900	229,47 €
MWTM-I 3m LCD	4...20 mA	3.0 m	■	1101-3132-1239-900	280,78 €
MWTM-I 6m	4...20 mA	6.0 m		1101-3132-0269-900	280,57 €
MWTM-I 6m LCD	4...20 mA	6.0 m	■	1101-3132-2269-900	329,75 €
MWTM-A	(3-wire AOS)			IP65	
MWTM-A 0,4m	0-10 V / 4...20 mA	0.4 m		1101-313E-0089-900	176,49 €
MWTM-A 0,4m LCD	0-10 V / 4...20 mA	0.4 m	■	1101-313E-1089-900	227,79 €
MWTM-A 3m	0-10 V / 4...20 mA	3.0 m		1101-313E-0239-900	229,47 €
MWTM-A 3m LCD	0-10 V / 4...20 mA	3.0 m	■	1101-313E-2239-900	280,78 €
MWTM-A 6m	0-10 V / 4...20 mA	6.0 m		1101-313E-0269-900	280,57 €
MWTM-A 6m LCD	0-10 V / 4...20 mA	6.0 m	■	1101-313E-1269-900	329,75 €
Automatic Output Switching (AOS):	Patented analogue interface (patent no. DE 10 2015 015 941 B4) Unit automatically detects the required output type 0-10 V or 4...20 mA.				
Extra charge:	other ranges optional per meter sensor cable (from 6 m to max. 20 m)			on request	26,16 €
Optional:	Cable connection with M12 connector according to DIN EN 61076-2-101			on request	

ACCESSORIES			
MF-06-K	Mounting flange, plastic (included in the scope of delivery)	7100-0030-1000-000	6,30 €
MF-06-M	Mounting flange, metal (Galvanised steel), Ø 35 mm	7100-0030-5000-100	12,95 €
KRD-04	Capillary tube gland bracket, plastic	7100-0030-7000-000	9,18 €
MK-05-M	Mounting clamps, galvanised steel (6 pieces) (from 3 m rod length, included in the scope of delivery)	7100-0034-0000-000	10,18 €

For further information see chapter Accessories!

Immersion / screw-in / duct temperature measuring transducer, calibratable, with multi-range switching and active output

TM 54
Basic unit

Calibratable temperature measuring transducer **THERMASGARD® TM 54** with eight switchable measuring ranges and continuous output, with connecting head made from aluminium (optionally with **cable gland** or **M12 connector** according to DIN EN 61076-2-101) and straight protective tube.

A basic unit in four variants through combination with accessories, eg, for robust applications with a separate immersion sleeve made from stainless steel.

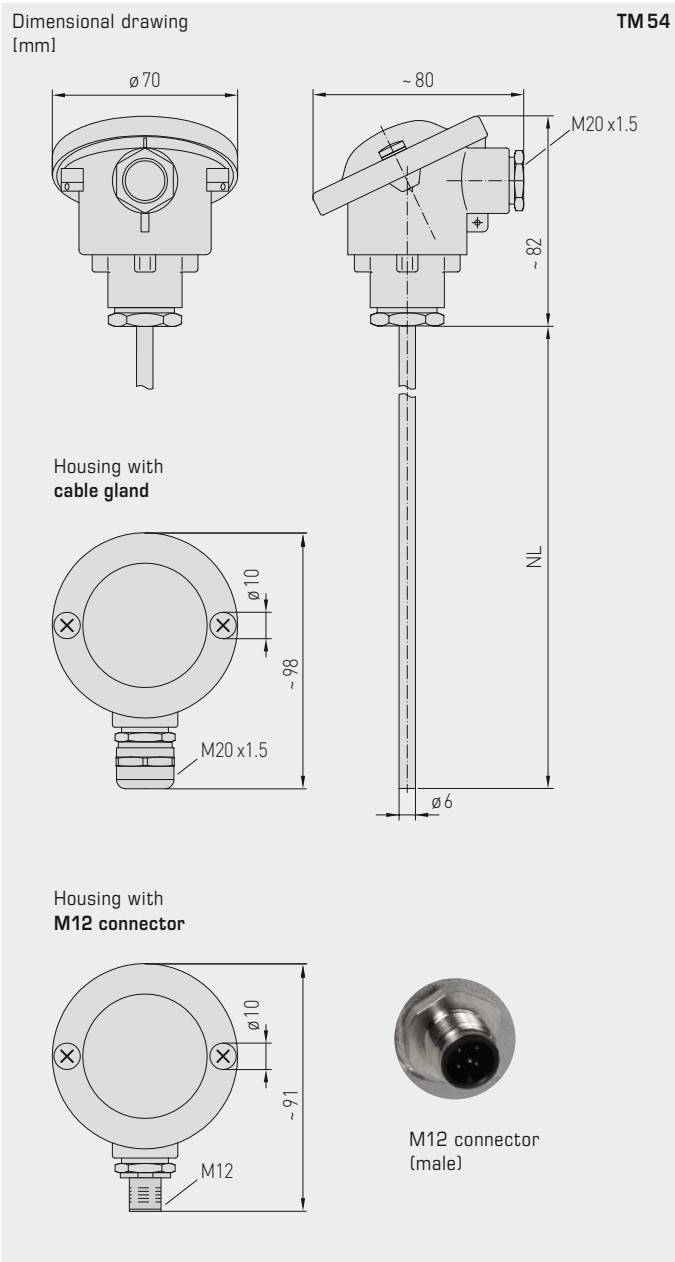
The duct sensor is used to detect temperatures in liquid or gaseous media. It is used in pipes, heating engineering, storage systems, compact district heating stations, warm and cold water systems, oil and lubrication cycle systems, mechanical, apparatus and plant engineering and throughout the industrial sector.

The sensor is factory-calibrated; an environmental precision adjustment by an expert is possible.



TECHNICAL DATA

Power supply:	24 V AC / DC (± 10%) for U variant 15...36 V DC for I variant, depending on working resistance, residual ripple stabilised ± 0.3 V
Working resistance:	$R_b \text{ (ohm)} = (U_b - 14 \text{ V}) / 0.02 \text{ A}$ for I variant
Load resistance:	$R_L > 5 \text{ kOhm}$ for U variant
Power consumption:	< 1.0 VA / 24 V AC / DC; < 0.55 VA / 24 V DC
Sensor:	Pt1000, DIN EN 60571, class B (Perfect Sensor Protection)
Measuring ranges:	multi-range switching with 8 switchable measuring ranges, see table (other ranges optional) $T_{max} = +150^\circ\text{C}$ with manual zero point correction (± 10 K)
Deviation, temperature:	typically ± 0.2 K at +25 °C
Output:	0 - 10 V or 4...20 mA
Connection type:	2- or 3-wire connection
Electrical connection:	0.2 - 1.5 mm ² , via push-in terminal
Cable connection:	TM 54 (standard) adjusting screw made of metal (M 20 x 1.5) TM 54-KV (optional) cable gland, brass, nickel-plated (M 20 x 1.5; with strain relief, exchangeable, inner diameter 6 - 12 mm) TM 54-Q (optional) M12 connector according to DIN EN 61076-2-101 (male, 5-pin, A-code)
Dimensions:	see dimensional drawing
Connecting head:	form B, material aluminium, colour white aluminium (similar to RAL 9006), ambient temperature -30...+70 °C
Protective tube:	stainless steel, V4A (1.4571) Ø = 6 mm, inserted length (EL) = 50 - 400 mm (see table)
Process connection:	by means of immersion sleeve or mounting flange (accessories)
Humidity:	< 95 % RH, non-precipitating air
Protection class:	III (according to EN 60 730)
Protection type:	IP 54 (according to EN 60 529) TM 54 IP 65 (according to EN 60 529) TM 54-KV / TM 54-Q
Standards:	CE conformity, electromagnetic compatibility according to EN 61 326, EMC directive 2014 / 30 / EU
ACCESSORIES	(see table)
TH-ms / xx	Immersion sleeve, brass, nickel-plated / galvanised Ø = 8 mm, $T_{max} = +150^\circ\text{C}$, $p_{max} = 10 \text{ bar}$
TH-VA / xx	Immersion sleeve, stainless steel, V4A (1.4571), Ø = 8 mm, $T_{max} = +600^\circ\text{C}$, $p_{max} = 40 \text{ bar}$
TH-VA / xx / 90	Immersion sleeve, stainless steel, V4A (1.4571), with neck tube (90 mm), Ø = 8 mm, $T_{max} = +600^\circ\text{C}$, $p_{max} = 40 \text{ bar}$
MF-06-M	Mounting flange, metal, galvanised steel, Ø = 32 mm, Ø = 6.3 mm tube gland, $T_{max} = +700^\circ\text{C}$



High-performance encapsulation against vibration, mechanical stress and humidity



TM 54
standard
(IP 54)



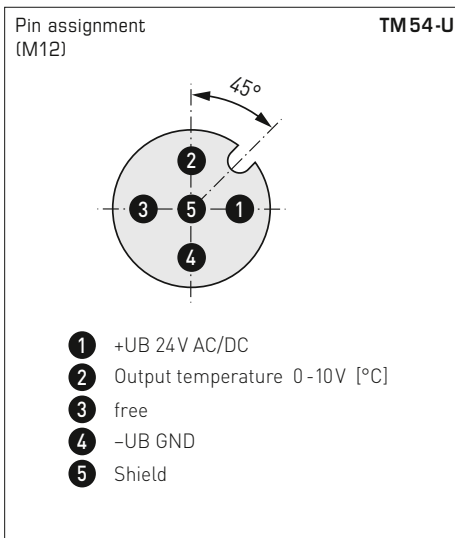
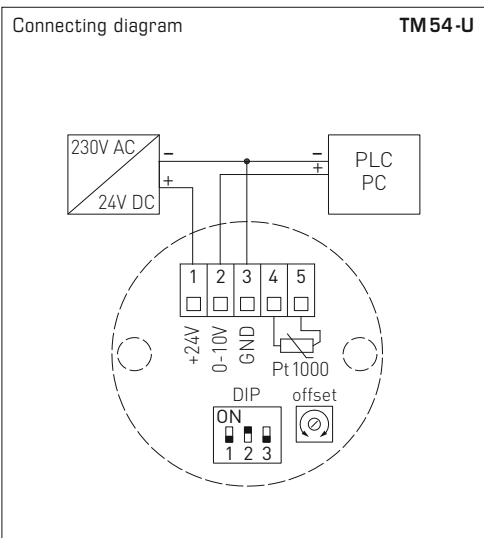
TM 54-KV
with cable gland
(IP 65)



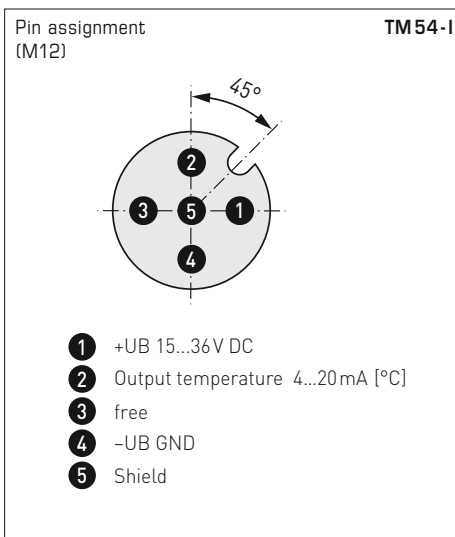
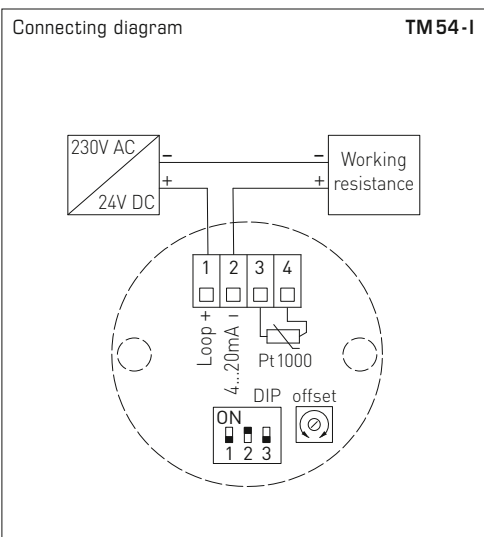
TM 54-Q
with M12 connector
(IP 65)



Immersion / screw-in / duct temperature measuring transducer,
calibratable, with multi-range switching
and active output



TM 54-U
Connecting head



TM 54-I
Connecting head



Measuring ranges (adjustable)	DIP 1	DIP 2	DIP 3
-20... +150 °C	ON	ON	ON
-50... +50 °C	OFF	ON	ON
-20... +80 °C	ON	OFF	ON
-30... +60 °C	OFF	OFF	ON
0... +40 °C	ON	ON	OFF
0... +50 °C (default)	OFF	ON	OFF
0...+100 °C	ON	OFF	OFF
0...+150 °C	OFF	OFF	OFF



Immersion / screw-in / duct temperature measuring transducer,
calibratable, with multi-range switching
and active output

TM 54
standard
(IP 54)



THERMASGARD® TM 54		Temperature measuring transducer (Basic unit)		
Type / WG01	Output	Installation length (EL)	Item No.	Price
TM 54 - I			IP 54, I - variant	
TM54-I 50mm	4...20 mA	50 mm	1101-7152-0019-910	156,43 €
TM54-I 100mm	4...20 mA	100 mm	1101-7152-0029-910	160,11 €
TM54-I 150mm	4...20 mA	150 mm	1101-7152-0039-910	167,32 €
TM54-I 200mm	4...20 mA	200 mm	1101-7152-0049-910	169,61 €
TM54-I 250mm	4...20 mA	250 mm	1101-7152-0059-910	171,71 €
TM54-I 300mm	4...20 mA	300 mm	1101-7152-0069-910	173,47 €
TM54-I 350mm	4...20 mA	350 mm	1101-7152-0079-910	177,01 €
TM54-I 400mm	4...20 mA	400 mm	1101-7152-0089-910	186,87 €
TM 54 - U			IP 54, U - variant	
TM54-U 50mm	0 - 10 V	50 mm	1101-7151-0019-910	156,43 €
TM54-U 100mm	0 - 10 V	100 mm	1101-7151-0029-910	160,11 €
TM54-U 150mm	0 - 10 V	150 mm	1101-7151-0039-910	167,32 €
TM54-U 200mm	0 - 10 V	200 mm	1101-7151-0049-910	169,61 €
TM54-U 250mm	0 - 10 V	250 mm	1101-7151-0059-910	171,71 €
TM54-U 300mm	0 - 10 V	300 mm	1101-7151-0069-910	173,47 €
TM54-U 350mm	0 - 10 V	350 mm	1101-7151-0079-910	177,02 €
TM54-U 400mm	0 - 10 V	400 mm	1101-7151-0089-910	186,87 €
Housing variant:	equipped as standard with pressure screw (IP 54), optional housing variants with cable gland (IP 65) or M12 connector (IP 65) see the next page!			
Extra charge:	other measuring ranges optional			26,16 €

Immersion / screw-in / duct temperature measuring transducer,
calibratable, with multi-range switching
and active output

TM 54 - Q
with M12 connector
(IP 65)



THERMASGARD®		Temperature measuring transducer			
TM 54 - Q		(Basic unit with M12 connector)			
Type / WG01	Output	Installation length (EL)	Q	Item No.	Price
TM 54 - I xx Q			IP 65, I - variant		
TM54-I 50mm Q	4...20 mA	50 mm	●	2001-4111-2100-011	199,61 €
TM54-I 100mm Q	4...20 mA	100 mm	●	2001-4111-2100-021	203,28 €
TM54-I 150mm Q	4...20 mA	150 mm	●	2001-4111-2100-031	210,49 €
TM54-I 200mm Q	4...20 mA	200 mm	●	2001-4111-2100-041	212,79 €
TM54-I 250mm Q	4...20 mA	250 mm	●	2001-4111-2100-051	214,90 €
TM54-I 300mm Q	4...20 mA	300 mm	●	2001-4111-2100-061	216,67 €
TM54-I 350mm Q	4...20 mA	350 mm	●	2001-4111-2100-071	220,20 €
TM54-I 400mm Q	4...20 mA	400 mm	●	2001-4111-2100-081	230,05 €
TM 54 - U xx Q			IP 65, U - variant		
TM54-U 50mm Q	0 - 10 V	50 mm	●	2001-4111-1100-011	199,61 €
TM54-U 100mm Q	0 - 10 V	100 mm	●	2001-4111-1100-021	203,28 €
TM54-U 150mm Q	0 - 10 V	150 mm	●	2001-4111-1100-031	210,49 €
TM54-U 200mm Q	0 - 10 V	200 mm	●	2001-4111-1100-041	212,79 €
TM54-U 250mm Q	0 - 10 V	250 mm	●	2001-4111-1100-051	214,90 €
TM54-U 300mm Q	0 - 10 V	300 mm	●	2001-4111-1100-061	216,67 €
TM54-U 350mm Q	0 - 10 V	350 mm	●	2001-4111-1100-071	220,20 €
TM54-U 400mm Q	0 - 10 V	400 mm	●	2001-4111-1100-081	230,05 €
Housing variant "Q":	Cable connection with M12 connector (male, 5-pin, A-code)				
Extra charge:	other measuring ranges optional				26,16 €

ACCESSORIES

Special accessories for M12 connector
see chapter Accessories!



Immersion / screw-in / duct temperature measuring transducer,
calibratable, with multi-range switching
and active output

TM 54 - KV
with cable gland
(IP 65)



THERMASGARD® TM 54 - KV		Temperature measuring transducer (Basic unit with cable gland)		
Type / WG01	Output	Installation length (EL)	Item No.	Price
TM 54 - I xx KV			IP 65, I - variant	
TM54-I 50mm KV	4...20 mA	50 mm	1101-7172-0019-910	166,15 €
TM54-I 100mm KV	4...20 mA	100 mm	1101-7172-0029-910	169,83 €
TM54-I 150mm KV	4...20 mA	150 mm	1101-7172-0039-910	177,02 €
TM54-I 200mm KV	4...20 mA	200 mm	1101-7172-0049-910	179,32 €
TM54-I 250mm KV	4...20 mA	250 mm	1101-7172-0059-910	181,43 €
TM54-I 300mm KV	4...20 mA	300 mm	1101-7172-0069-910	183,21 €
TM54-I 350mm KV	4...20 mA	350 mm	1101-7172-0079-910	186,73 €
TM54-I 400mm KV	4...20 mA	400 mm	1101-7172-0089-910	196,58 €
TM 54 - U xx KV			IP 65, U - variant	
TM54-U 50mm KV	0 - 10 V	50 mm	1101-7171-0019-910	166,15 €
TM54-U 100mm KV	0 - 10 V	100 mm	1101-7171-0029-910	169,83 €
TM54-U 150mm KV	0 - 10 V	150 mm	1101-7171-0039-910	177,02 €
TM54-U 200mm KV	0 - 10 V	200 mm	1101-7171-0049-910	179,32 €
TM54-U 250mm KV	0 - 10 V	250 mm	1101-7171-0059-910	181,43 €
TM54-U 300mm KV	0 - 10 V	300 mm	1101-7171-0069-910	183,21 €
TM54-U 350mm KV	0 - 10 V	350 mm	1101-7171-0079-910	186,73 €
TM54-U 400mm KV	0 - 10 V	400 mm	1101-7171-0089-910	196,58 €
Housing variant "KV":	Cable connection with cable gland			
Extra charge:	other measuring ranges optional			26,16 €

Immersion / screw-in / duct temperature measuring transducer,
calibratable, with multi-range switching
and active output

One basic device in four variants ...



**TM54 +
TH -ms/xx**

Immersion / screw-in
temperature sensor
with immersion sleeve, brass,
nickel-plated / galvanised



**TM54 +
TH -VA/xx**

Immersion / screw-in
temperature sensor
with immersion sleeve,
stainless steel, V4A



**TM54 +
TH -VA/xx/90**

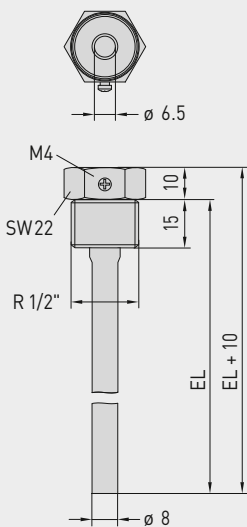
Immersion / screw-in
temperature sensor with
immersion sleeve with
neck tube, stainless steel, V4A



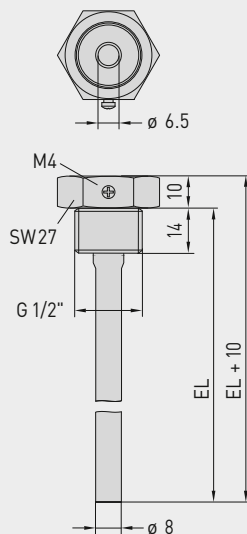
**TM54 +
MF-06-M**

Duct temperature sensor
with mounting flange, metal

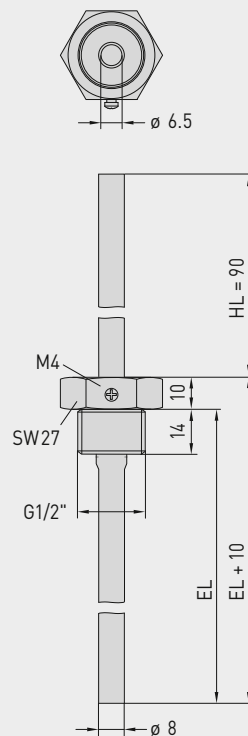
**Dimensional drawing
TH -ms/xx**



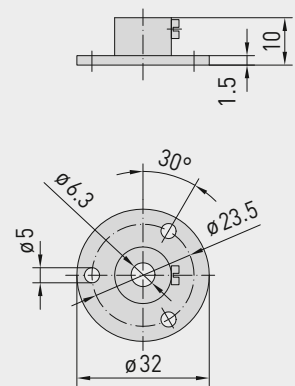
**Dimensional drawing
TH -VA/xx**



**Dimensional drawing
TH -VA/xx/90**



**Dimensional drawing
MF-06-M**





...through combination with accessories:



TH - ms / xx
Immersion sleeve, brass, nickel-plated / galvanised, thread-sealing, conical, according to DIN 10226



TH - VA / xx
Immersion sleeve, stainless steel, V4A, flat-sealing, cylindrical, according to DIN 228



TH - VA / xx / 90
Immersion sleeve with neck tube, stainless steel, V4A, flat-sealing, cylindrical, according to DIN 228



MF-06-M
Mounting flange, metal

THERMASGARD® TH Immersion sleeve Ø 8 mm (accessories)					
Type / WG01	p _{max} (static)	T _{max}	Inserted Length (EL)	Item No.	Price
TH - ms / xx	Brass nickel-plated / galvanised			without neck tube	
TH-MS 50MM	10 bar	+150 °C	50 mm	7100-0011-0010-001	9,59 €
TH-MS 100MM	10 bar	+150 °C	100 mm	7100-0011-0020-001	10,93 €
TH-MS 150MM	10 bar	+150 °C	150 mm	7100-0011-0030-001	11,54 €
TH-MS 200MM	10 bar	+150 °C	200 mm	7100-0011-0040-001	11,91 €
TH-MS 250MM	10 bar	+150 °C	250 mm	7100-0011-0050-001	13,79 €
TH-MS 300MM	10 bar	+150 °C	300 mm	7100-0011-0060-001	14,17 €
TH-MS 350MM	10 bar	+150 °C	350 mm	7100-0011-0070-001	14,29 €
TH-MS 400MM	10 bar	+150 °C	400 mm	7100-0011-0080-001	14,42 €
TH - VA / xx	Stainless steel, V4A (1.4571)			without neck tube	
TH-VA 50MM	40 bar	+600 °C	50 mm	7100-0012-0010-001	20,89 €
TH-VA 100MM	40 bar	+600 °C	100 mm	7100-0012-0020-001	23,08 €
TH-VA 150MM	40 bar	+600 °C	150 mm	7100-0012-0030-001	24,80 €
TH-VA 200MM	40 bar	+600 °C	200 mm	7100-0012-0040-001	26,14 €
TH-VA 250MM	40 bar	+600 °C	250 mm	7100-0012-0050-001	32,50 €
TH-VA 300MM	40 bar	+600 °C	300 mm	7100-0012-0060-001	33,96 €
TH-VA 350MM	40 bar	+600 °C	350 mm	7100-0012-0070-001	34,19 €
TH-VA 400MM	40 bar	+600 °C	400 mm	7100-0012-0080-001	34,79 €
TH - VA / xx / 90	Stainless steel, V4A (1.4571)			with neck tube (90 mm)	
TH-VA 50/90MM	40 bar	+600 °C	50 mm	7100-0012-2010-001	29,91 €
TH-VA 100/90MM	40 bar	+600 °C	100 mm	7100-0012-2020-001	31,26 €
TH-VA 150/90MM	40 bar	+600 °C	150 mm	7100-0012-2030-001	32,80 €
TH-VA 200/90MM	40 bar	+600 °C	200 mm	7100-0012-2040-001	34,19 €
TH-VA 250/90MM	40 bar	+600 °C	250 mm	7100-0012-2050-001	35,83 €
TH-VA 300/90MM	40 bar	+600 °C	300 mm	7100-0012-2060-001	38,84 €
Note:	inner diameter of socket 6.5 mm For further information see last chapter!				
Mounting flange (accessories)					
Type / WG01		T _{max}		Item No.	Price
MF					
MF-06-M	Mounting flange, metal (galvanised steel) Ø 32 mm, tube gland Ø 6.3 mm	+700 °C		7100-0030-5000-100	12,95 €
Note:	For further information see last chapter!				

Duct/smoke gas temperature measuring transducer, including mounting flange, calibratable, with multi-range switching and active output

Calibratable smoke gas temperature measuring transducer **THERMASGARD® RGTM 1** with eight switchable measuring ranges and continuous output, with connecting head made from aluminium (optionally with **cable gland** or **M12 connector** according to DIN EN 61076-2-101), spring-mounted measuring insert and straight protective tube, incl. mounting flange.

The duct sensor is used to detect high temperatures in gaseous media, eg. for exhaust air or smoke gas temperature measurement.

The sensor is factory-calibrated; an environmental precision adjustment by an expert is possible.

RGTM 1
Basic unit

TECHNICAL DATA

Power supply:	24 V AC / DC (± 10 %) for U variant 15...36 V DC for I variant, depending on working resistance, residual ripple stabilised ± 0.3 V
Working resistance:	$R_b \text{ (Ohm)} = (U_b - 14 \text{ V}) / 0.02 \text{ A}$ for I variant
Load resistance:	10 kOhm (load max. 1 mA) for U variant
Power consumption:	< 1.0 VA / 24 V AC / DC; < 0.55 VA / 24 V DC
Sensor:	Pt1000 (according to DIN EN 60751, class B) (Perfect Sensor Protection)
Measuring ranges:	multi-range switching with 8 switchable measuring ranges, see table (other ranges optional) with manual zero point correction (± 10K)
Deviation, temperature:	typically ± 0.2 K at +25 °C
Output:	0 - 10 V or 4...20 mA
Connection type:	2- or 3-wire connection
Electrical connection:	0.2 - 1.5 mm ² , via push-in terminal
Cable connection:	RGTM 1 (Standard) adjusting screw made of metal (M 20 x 1.5); RGTM 1-KV (optional) cable gland, brass, nickel-plated (M 20 x 1.5; with strain relief, exchangeable, inner diameter 6 - 12 mm) RGTM 1-Q (optional) M12 connector according to DIN EN 61076-2-101 (male, 5-pin, A-code)
Dimensions:	see dimensional drawing
Connecting head:	form B, material aluminium, colour white aluminium (similar to RAL 9006), ambient temperature -30...+70 °C
Protective tube:	stainless steel, V4A (1.4571), Ø = 8 mm inserted length (EL) = 200 - 400 mm (see table)
Process connection:	by mounting flange stainless steel V2A (1.4305) (included in the scope of delivery)
Humidity:	< 95 % RH, non-precipitating air
Protection class:	III (according to EN 60 730)
Protection type:	IP 54 (according to EN 60 529) RGTM 1 IP 65 (according to EN 60 529) RGTM 1-KV / RGTM 1-Q
Standards:	CE conformity, electromagnetic compatibility according to EN 61 326, EMC directive 2014 / 30 / EU



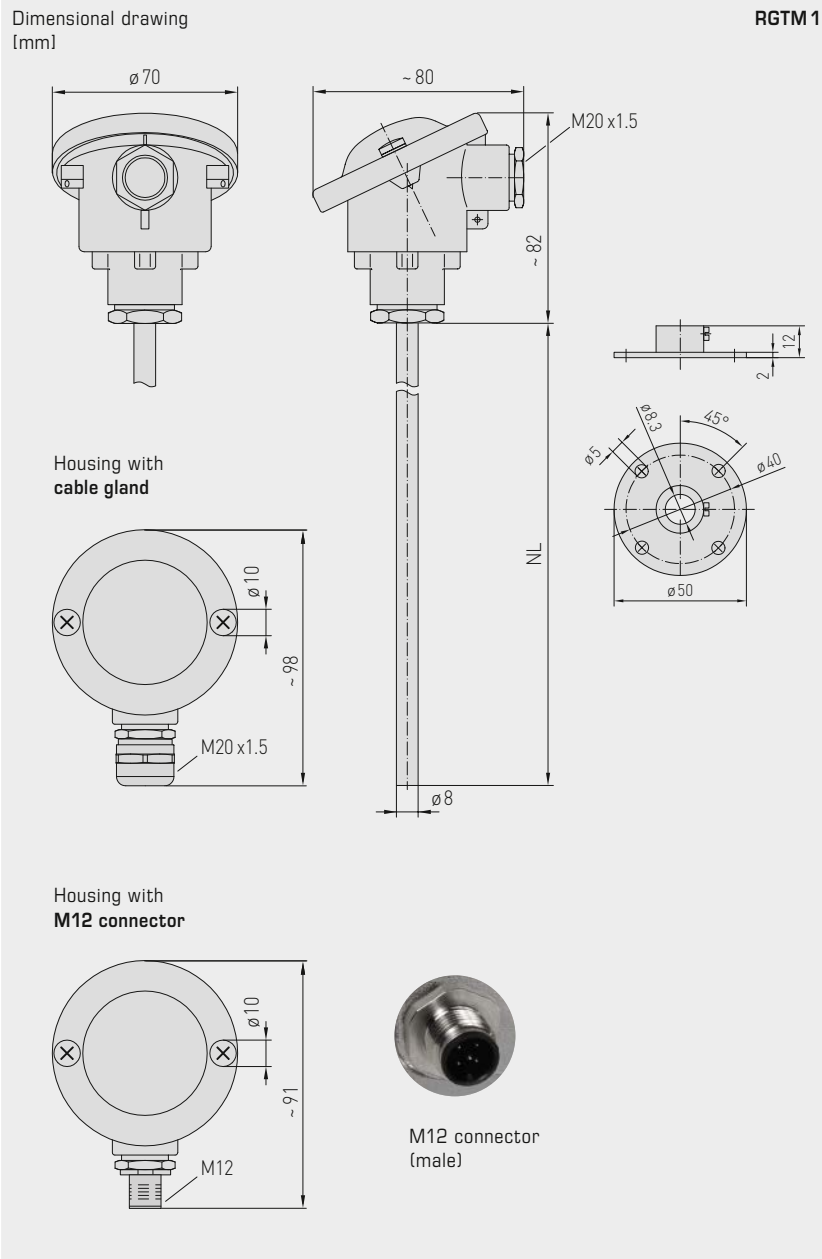
RGTM 1
Measuring insert with ceramic tubelet



S+S REGELTECHNIK

THERMASGARD® RGTM 1

Duct/smoke gas temperature measuring transducer, including mounting flange, calibratable, with multi-range switching and active output



RGTM 1 standard (IP 54)



RGTM 1-KV with cable gland (IP 65)



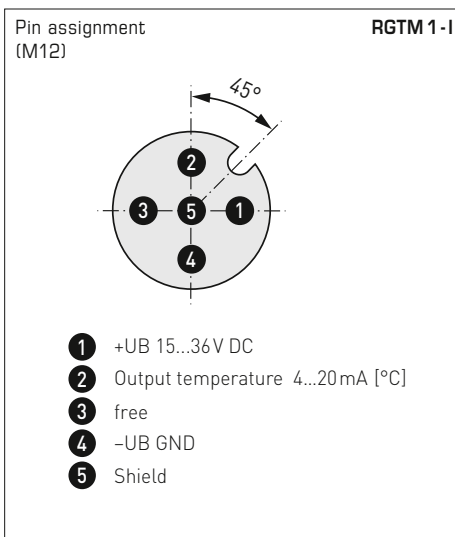
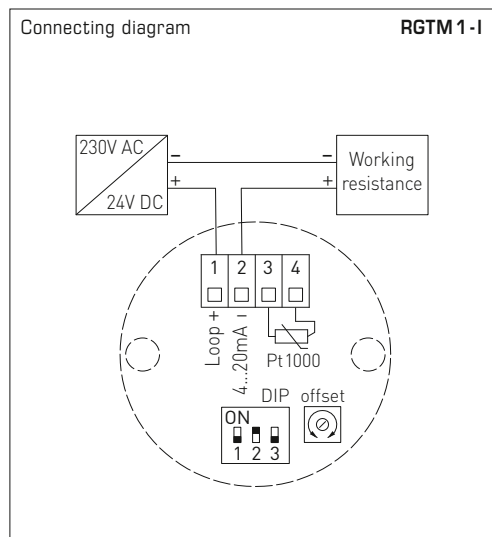
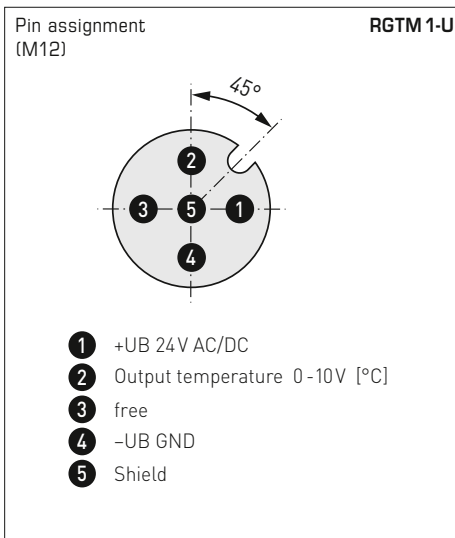
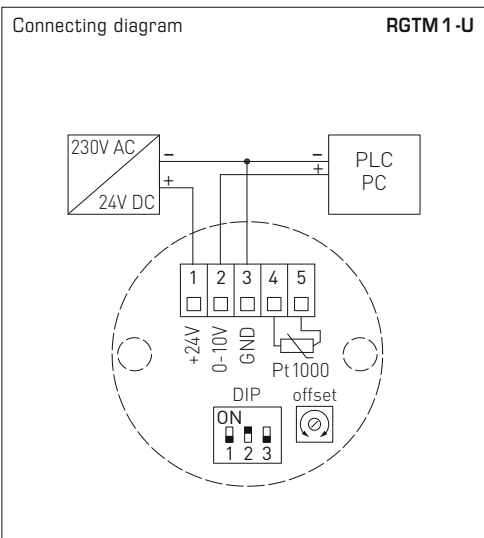
RGTM 1-Q with M12 connector (IP 65)



High-performance encapsulation against vibration, mechanical stress and humidity



Duct/smoke gas temperature measuring transducer, including mounting flange, calibratable, with multi-range switching and active output



Measuring ranges (adjustable)	DIP 1	DIP 2	DIP 3
-20...+150 °C	ON	ON	ON
0...+50 °C (default)	OFF	ON	ON
0...+100 °C	ON	OFF	ON
0...+200 °C	OFF	OFF	ON
0...+300 °C	ON	ON	OFF
0...+400 °C	OFF	ON	OFF
0...+500 °C	ON	OFF	OFF
0...+600 °C	OFF	OFF	OFF



S+S REGELTECHNIK

Duct/smoke gas temperature measuring transducer,
including mounting flange, calibratable, with multi-range switching
and active output

RGTM 1
standard
(IP 54)



THERMASGARD® RGTM 1		Duct / smoke gas temperature sensor, incl. mounting flange (standard)		
Type / WG01	Output	Installation length (EL)	Item No.	Price
RGTM 1 - I			IP 54, I - variant	
RGTM1-I 200mm	4...20 mA	200 mm	1101-3122-0049-810	296,99 €
RGTM1-I 250mm	4...20 mA	250 mm	1101-3122-0059-810	308,79 €
RGTM1-I 300mm	4...20 mA	300 mm	1101-3122-0069-810	312,07 €
RGTM1-I 400mm	4...20 mA	400 mm	1101-3122-0089-810	314,69 €
RGTM 1 - U			IP 54, U - variant	
RGTM1-U 200mm	0-10 V	200 mm	1101-3121-0049-810	296,99 €
RGTM1-U 250mm	0-10 V	250 mm	1101-3121-0059-810	308,79 €
RGTM1-U 300mm	0-10 V	300 mm	1101-3121-0069-810	312,07 €
RGTM1-U 400mm	0-10 V	400 mm	1101-3121-0089-810	314,69 €
Housing variant:	equipped as standard with pressure screw (IP 54), optional housing variants with cable gland (IP 65) or M12 connector (IP 65) see the next page!			
Extra charge:	other measuring ranges optional			26,16 €

Duct / smoke gas temperature measuring transducer, including mounting flange, calibratable, with multi-range switching and active output

RGTM 1 - Q
with M12 connector
(IP 65)



THERMASGARD® RGTM 1 - Q		Duct / smoke gas temperature sensor, incl. mounting flange (with M12 connector)			
Type / WG01	Output	Installation length (EL)	Q	Item No.	Price
RGTM 1 - I xx Q			●	IP 65, I - variant	
RGTM1-I 200mm Q	4...20 mA	200 mm	●	2001-4131-2100-011	340,17 €
RGTM1-I 250mm Q	4...20 mA	250 mm	●	2001-4131-2100-021	351,98 €
RGTM1-I 300mm Q	4...20 mA	300 mm	●	2001-4131-2100-031	355,24 €
RGTM1-I 400mm Q	4...20 mA	400 mm	●	2001-4131-2100-041	357,88 €
RGTM 1 - U xx Q			●	IP 54, U - variant	
RGTM1-U 200mm Q	0 - 10 V	200 mm	●	2001-4131-1100-011	340,17 €
RGTM1-U 250mm Q	0 - 10 V	250 mm	●	2001-4131-1100-021	351,98 €
RGTM1-U 300mm Q	0 - 10 V	300 mm	●	2001-4131-1100-031	355,24 €
RGTM1-U 400mm Q	0 - 10 V	400 mm	●	2001-4131-1100-041	357,88 €
Housing variant "Q":		Cable connection with M12 connector (male, 5-pin, A-code)			
Extra charge:	other measuring ranges optional				26,16 €

ACCESSORIES

Special accessories for M12 connector
see chapter Accessories!



S+S REGELTECHNIK

Duct / smoke gas temperature measuring transducer, including mounting flange, calibratable, with multi-range switching and active output

RGTM 1 - KV
with cable gland
(IP 65)



THERMASGARD® RGTM 1 - KV		Duct / smoke gas temperature sensor, incl. mounting flange (with cable gland)		
Type / WG01	Output	Installation length (EL)	Item No.	Price
RGTM 1 - I xx KV		IP 65, I - variant		
RGTM1-I 200mm KV	4...20 mA	200 mm	1101-31D2-0049-810	306,71 €
RGTM1-I 250mm KV	4...20 mA	250 mm	1101-31D2-0059-810	318,53 €
RGTM1-I 300mm KV	4...20 mA	300 mm	1101-31D2-0069-810	321,79 €
RGTM1-I 400mm KV	4...20 mA	400 mm	1101-31D2-0089-810	324,42 €
RGTM 1 - U xx KV		IP 65, U - variant		
RGTM1-U 200mm KV	0 - 10 V	200 mm	1101-31D1-0049-810	306,71 €
RGTM1-U 250mm KV	0 - 10 V	250 mm	1101-31D1-0059-810	318,53 €
RGTM1-U 300mm KV	0 - 10 V	300 mm	1101-31D1-0069-810	321,79 €
RGTM1-U 400mm KV	0 - 10 V	400 mm	1101-31D1-0089-810	324,42 €
Housing variant "KV":	Cable connection with cable gland			
Extra charge:	other measuring ranges optional			26,16 €

Screw-in / smoke gas temperature measuring transducer, with neck tube, calibratable, with multi-range switching and active output

RGTM 2
Basic unit

Calibratable smoke gas / screw-in temperature measuring transducer with neck tube **THERMASGARD® RGTM 2** with eight switchable measuring ranges and continuous output, with connecting head made from aluminium (optionally with **cable gland** or **M12 connector** according to DIN EN 61076-2-101), spring-mounted measuring insert and straight protective tube.

The duct sensor is used to detect high temperatures in gaseous or liquid media, eg. for exhaust air or smoke gas temperature measurement.

The sensor is factory-calibrated; an environmental precision adjustment by an expert is possible.

TECHNICAL DATA

Power supply:	24 V AC / DC (± 10 %) for U variant 15...36 V DC for I variant, depending on working resistance, residual ripple stabilised ± 0.3 V
Working resistance:	$R_a \text{ (Ohm)} = (U_b - 14 \text{ V}) / 0.02 \text{ A}$ for I variant
Load resistance:	10 kOhm (load max. 1 mA) for U variant
Power consumption:	< 1.0 VA / 24 V AC / DC; < 0.55 VA / 24 V DC
Sensor:	Pt1000 (according to DIN EN 60 751, class B) (Perfect Sensor Protection)
Measuring ranges:	multi-range switching with 8 switchable measuring ranges, see table (other ranges optional) with manual zero point correction (± 10 K)
Deviation, temperature:	typically ± 0.2 K at +25 °C
Output:	0 - 10 V or 4...20 mA
Connection type:	2- or 3-wire connection
Electrical connection:	0.2 - 1.5 mm ² , via push-in terminal
Cable connection:	RGTM 2 (Standard) adjusting screw made of metal (M 20 x 1.5); RGTM 2-KV (optional) cable gland, brass, nickel-plated (M 20 x 1.5; with strain relief, exchangeable, inner diameter 6 - 12 mm) RGTM 2-Q (optional) M12 connector according to DIN EN 61076-2-101 (male, 5-pin, A-code)
Dimensions:	see dimensional drawing
Connecting head:	form B, material aluminium, colour white aluminium (similar to RAL 9006), ambient temperature -30...+70 °C
Protective tube:	stainless steel, V4A (1.4571), G ½" straight pipe thread, wrench size 27 mm, $p_{max} = 40 \text{ bar}$, $\varnothing = 8 \text{ mm}$ length of neck tube (HL) = 80 mm inserted length (EL) = 100 - 400 mm (see table)
Process connection:	screwed socket with G ½"
Humidity:	< 95 % RH, non-precipitating air
Protection class:	III (according to EN 60 730)
Protection type:	IP 54 (according to EN 60 529) RGTM 2 IP 65 (according to EN 60 529) RGTM 2-KV / RGTM 2-Q
Standards:	CE conformity, electromagnetic compatibility according to EN 61 326, EMC directive 2014 / 30 / EU

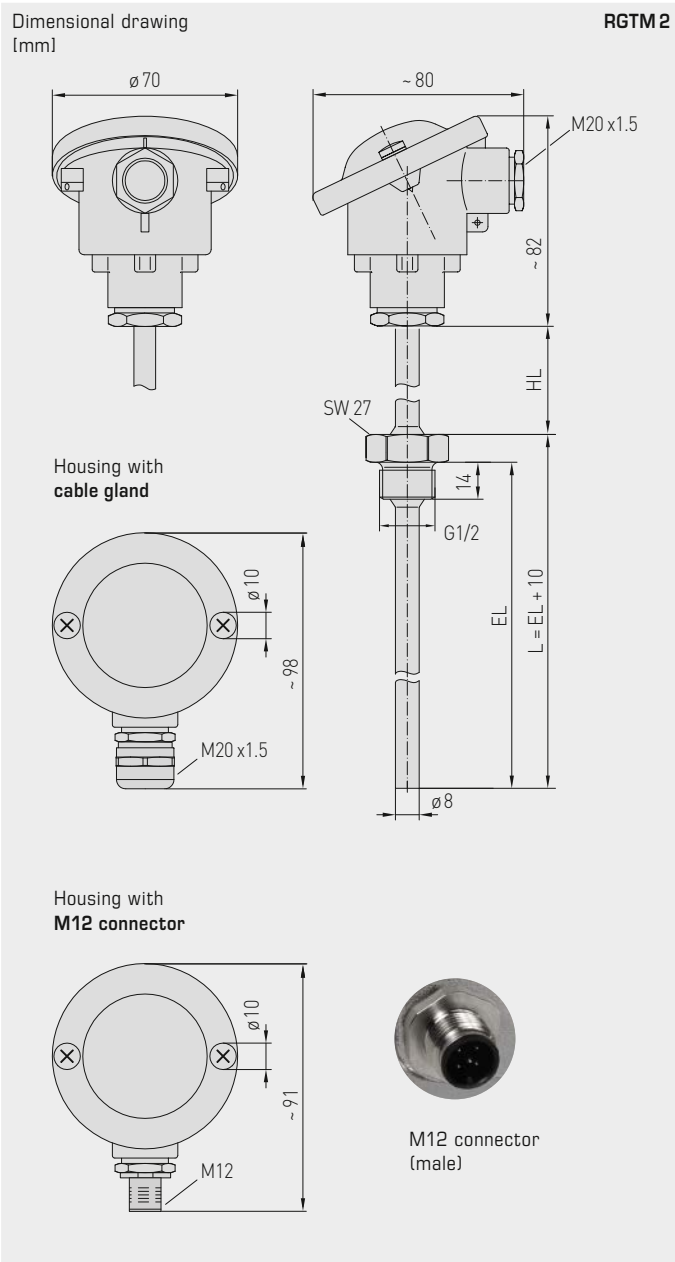


RGTM 2
Measuring insert with ceramic tubelet



S+S REGELTECHNIK

Screw-in / smoke gas temperature measuring transducer, with neck tube, calibratable, with multi-range switching and active output



High-performance encapsulation against vibration, mechanical stress and humidity



RGTM 2
standard
(IP 54)



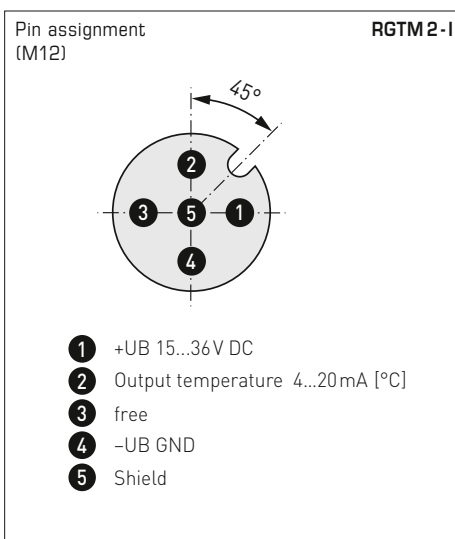
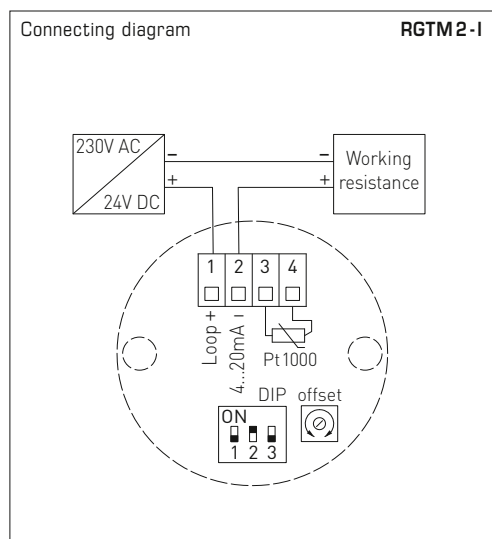
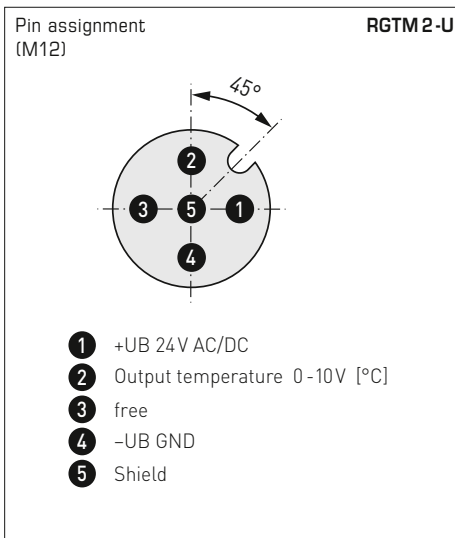
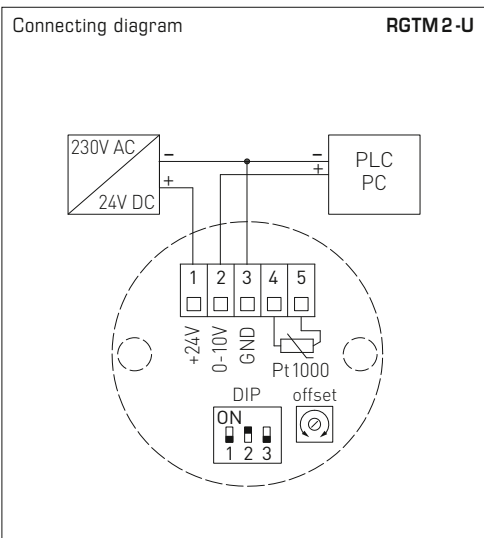
RGTM 2 - KV
with cable gland
(IP 65)



RGTM 2 - Q
with M12 connector
(IP 65)



Screw-in / smoke gas temperature measuring transducer,
with neck tube, calibratable, with multi-range switching
and active output



Measuring ranges (adjustable)	DIP 1	DIP 2	DIP 3
-20...+150 °C	ON	ON	ON
0... +50 °C (default)	OFF	ON	ON
0...+100 °C	ON	OFF	ON
0...+200 °C	OFF	OFF	ON
0...+300 °C	ON	ON	OFF
0...+400 °C	OFF	ON	OFF
0...+500 °C	ON	OFF	OFF
0...+600 °C	OFF	OFF	OFF



Screw-in / smoke gas temperature measuring transducer,
with neck tube, calibratable, with multi-range switching
and active output

RGTM 2
standard
(IP 54)



THERMASGARD® RGTM 2		Screw-in / smoke gas temperature measuring transducer with neck tube (standard)		
Type / WG01	Output	Installation length (EL)	Item No.	Price
RGTM 2 - I			IP 54, I - variant	
RGTM2-I 100/80mm	4...20 mA	100 mm	1101-2162-0029-810	288,48 €
RGTM2-I 150/80mm	4...20 mA	150 mm	1101-2162-0039-810	293,71 €
RGTM2-I 200/80mm	4...20 mA	200 mm	1101-2162-0049-810	296,33 €
RGTM2-I 250/80mm	4...20 mA	250 mm	1101-2162-0059-810	308,13 €
RGTM2-I 300/80mm	4...20 mA	300 mm	1101-2162-0069-810	312,07 €
RGTM2-I 400/80mm	4...20 mA	400 mm	1101-2162-0089-810	313,39 €
RGTM 2 - U			IP 54, U - variant	
RGTM2-U 100/80mm	0 - 10 V	100 mm	1101-2161-0029-810	288,48 €
RGTM2-U 150/80mm	0 - 10 V	150 mm	1101-2161-0039-810	293,71 €
RGTM2-U 200/80mm	0 - 10 V	200 mm	1101-2161-0049-810	296,33 €
RGTM2-U 250/80mm	0 - 10 V	250 mm	1101-2161-0059-810	308,13 €
RGTM2-U 300/80mm	0 - 10 V	300 mm	1101-2161-0069-810	312,07 €
RGTM2-U 400/80mm	0 - 10 V	400 mm	1101-2161-0089-810	313,39 €
Housing variant:	equipped as standard with pressure screw (IP 54), optional housing variants with cable gland (IP 65) or M12 connector (IP 65) see the next page!			
Extra charge:	other measuring ranges optional			26,16 €

Screw-in / smoke gas temperature measuring transducer, with neck tube, calibratable, with multi-range switching and active output

RGTM 2 - Q
with M12 connector
(IP 65)



THERMASGARD® RGTM 2 - Q		Screw-in / smoke gas temperature measuring transducer with neck tube (with M12 connector)			
Type / WG01	Output	Installation length (EL)	Q	Item No.	Price
RGTM 2-I xx Q				IP 65, I - variant	
RGTM2-I 100/80mm Q	4...20 mA	100 mm	●	2001-4141-2100-011	331,66 €
RGTM2-I 150/80mm Q	4...20 mA	150 mm	●	2001-4141-2100-021	336,91 €
RGTM2-I 200/80mm Q	4...20 mA	200 mm	●	2001-4141-2100-031	340,73 €
RGTM2-I 250/80mm Q	4...20 mA	250 mm	●	2001-4141-2100-041	351,31 €
RGTM2-I 300/80mm Q	4...20 mA	300 mm	●	2001-4141-2100-051	355,24 €
RGTM2-I 400/80mm Q	4...20 mA	400 mm	●	2001-4141-2100-061	356,58 €
RGTM 2-U xx Q				IP 65, U - variant	
RGTM2-U 100/80mm Q	0 - 10 V	100 mm	●	2001-4141-1100-011	331,66 €
RGTM2-U 150/80mm Q	0 - 10 V	150 mm	●	2001-4141-1100-021	336,91 €
RGTM2-U 200/80mm Q	0 - 10 V	200 mm	●	2001-4141-1100-031	340,73 €
RGTM2-U 250/80mm Q	0 - 10 V	250 mm	●	2001-4141-1100-041	351,31 €
RGTM2-U 300/80mm Q	0 - 10 V	300 mm	●	2001-4141-1100-051	355,24 €
RGTM2-U 400/80mm Q	0 - 10 V	400 mm	●	2001-4141-1100-061	356,58 €
Housing variant "Q":	Cable connection with M12 connector (male, 5-pin, A-code)				
Extra charge:	other measuring ranges optional				26,16 €

ACCESSORIES	
Special accessories for M12 connector see chapter Accessories!	



S+S REGELTECHNIK

Screw-in / smoke gas temperature measuring transducer,
with neck tube, calibratable, with multi-range switching
and active output

RGTM 2 - KV
with cable gland
(IP 65)



THERMASGARD® RGTM 2 - KV		Screw-in / smoke gas temperature measuring transducer with neck tube (with cable gland)		
Type / WG01	Output	Installation length (EL)	Item No.	Price
RGTM 2 - I xx KV			IP 65, I - variant	
RGTM2-I 100/80mm KV	4...20 mA	100 mm	1101-21D2-0029-810	298,20 €
RGTM2-I 150/80mm KV	4...20 mA	150 mm	1101-21D2-0039-810	303,43 €
RGTM2-I 200/80mm KV	4...20 mA	200 mm	1101-21D2-0049-810	306,05 €
RGTM2-I 250/80mm KV	4...20 mA	250 mm	1101-21D2-0059-810	317,87 €
RGTM2-I 300/80mm KV	4...20 mA	300 mm	1101-21D2-0069-810	321,79 €
RGTM2-I 400/80mm KV	4...20 mA	400 mm	1101-21D2-0089-810	323,10 €
RGTM 2 - U xx KV			IP 65, U - variant	
RGTM2-U 100/80mm KV	0 - 10 V	100 mm	1101-21D1-0029-810	298,20 €
RGTM2-U 150/80mm KV	0 - 10 V	150 mm	1101-21D1-0039-810	303,43 €
RGTM2-U 200/80mm KV	0 - 10 V	200 mm	1101-21D1-0049-810	306,05 €
RGTM2-U 250/80mm KV	0 - 10 V	250 mm	1101-21D1-0059-810	317,87 €
RGTM2-U 300/80mm KV	0 - 10 V	300 mm	1101-21D1-0069-810	321,79 €
RGTM2-U 400/80mm KV	0 - 10 V	400 mm	1101-21D1-0089-810	323,10 €
Housing variant "KV":		Cable connection with cable gland		
Extra charge:	other measuring ranges optional			26,16 €

Sleeve sensor with temperature measuring transducer, calibratable, with multi-range switching and active output (Automatic Output Switching)

Patented quality product (patent no. DE 10 2015 015 941 B4)

Calibratable temperature measuring transducer with sleeve sensor **THERMASGARD® HFTM**, with eight switchable measuring ranges (max. -20...+150 °C), aktivem Ausgang, housing made from impact-resistant plastic with quick-release screws, with cable gland or M12 connector according to DIN EN 61076-2-101, optionally with /without display. The standard display can be changed from SI [°C] to imperial [°F] units via DIP switch.

The measuring transducer converts the measured variables into a standard signal of 0-10V or 4...20mA. The unit with **Automatic Output Switching (AOS)** detects the required output type and automatically switches to U or I output. Alternatively, a **type version (2-wire)** with 2-wire connection and I output is available.

The temperature transmitter with remote sensor is used to detect temperatures in liquid and gaseous media e.g. if installed in an immersion sleeve or as a duct sensor. A direct, permanent use in liquids is possible in combination with immersion sleeves **THE** (see chapter Accessories). The sensor is factory-calibrated; an environmental precision adjustment by an expert is possible.

TECHNICAL DATA

HFTM - I

Power supply:	15...36V DC, depending on working resistance, residual ripple stabilised ± 0.3V
Working resistance:	R_g (Ohm) = $(U_b - 14V) / 0.02A$
Connection type:	2-wire connection
Output:	4...20 mA

HFTM - A (AOS)

Power supply:	24 V AC / DC (± 10%)
Load resistance:	$R_L = 25...450$ Ohm with AOS I variant $R_L > 15$ kOhm with AOS U variant
Connection type:	3-wire connection
Output:	automatic 0-10V / 4...20 mA (via Automatic Output Switching – the unit detects the required output type and automatically switches to U or I output)

GENERAL

Power consumption:	< 1.0VA / 24V DC; < 2.2 VA / 24V AC
System of units:	SI (default) or Imperial (switchable via DIP switch)
Data points:	Temperature [°C] [°F]
Measuring ranges:	multi-range switching with 8 measuring ranges , see table (other ranges optional) with manual zero point correction (± 10K)
Sensor:	Pt1000, DIN EN 60751, class B (Perfect Sensor Protection) at IP68)
Deviation, temperature:	typically ± 0.2K at +25 °C
Insulating resistance:	≥ 100 MΩ, at +20 °C (500V DC)
Sensor protection:	sensor sleeve, stainless steel V4A (1.4571), Ø = 6 mm, nominal length NL = 50 mm (optional 30...400 mm)
Sensor cable:	Silicone, SiHF, 2x 0.25mm ² ; cable length (KL) = 1.5m (other lengths and jacket materials, e.g. PTFE or glass fibre with steel mesh, available on request)
Housing:	plastic, UV-resistant, material polyamide, 30% glass-globe reinforced, with quick-release screws (slotted / Phillips head combination), colour traffic white (similar to RAL 9016), cover for display is transparent!
Housing dimension:	72 x 64 x 37.8 mm (Tyr 1 without display) 72 x 64 x 43.3 mm (Tyr 1 with display)
Cable connection:	cable gland , plastic (M 16 x 1.5; with strain relief, exchangeable, max. inner diameter 10.4 mm) or M12 connector (male, 5-pin, A-code) according to DIN EN 61076-2-101
Electrical connection:	0.14 - 1.5 mm ² , via terminal screws
Ambient temperature:	measuring transducer -30...+70 °C
Permissible humidity:	< 95% RH, non-precipitating air
Protection class:	III (according to EN 60 730)
Protection type housing:	IP65 (according to EN 60 529) Housing tested, TÜV SÜD, Report No. 713139052 (Tyr 1)
Protection type sensor:	IP65 (according to EN 60 529) sleeve humidity-tight (standard) IP68 (according to EN 60 529) sleeve water-tight (optional) IP54 (according to EN 60 529) with glass fibre cable (optional)
Standards:	CE conformity, electromagnetic compatibility according to EN 61326, according to EMC directive 2014 / 30 / EU
Optional:	two-line display with illumination , cutout approx. 36 x 15 mm (W x H), for displaying the ACTUAL temperature and the internal diagnostics (sensor breakage, sensor short circuit)

ACCESSORIES

(see table)

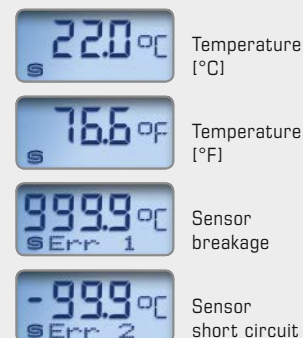
HFTM
with cable gland



HFTM - Q
with M12 connector



Display and internal diagnostics
THERMASGARD®
Measuring transducer with display



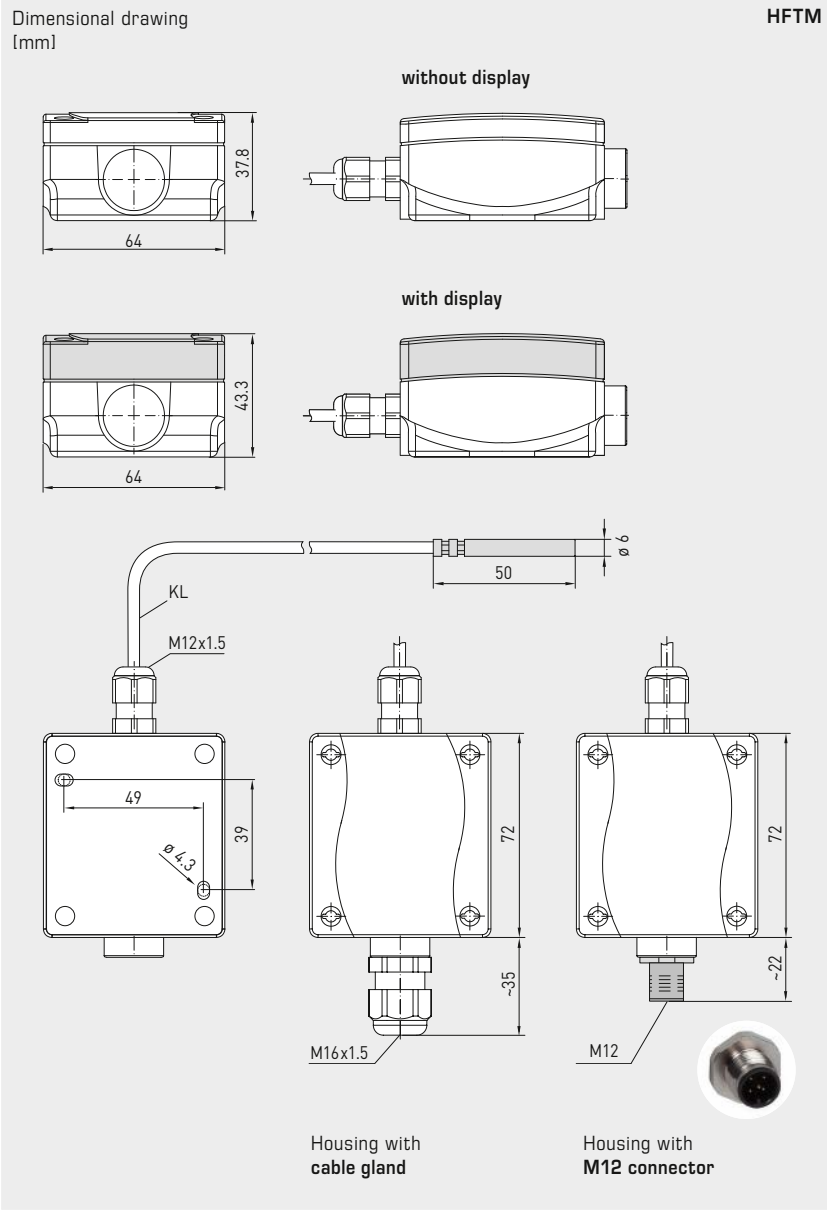


NEW

S+S REGELTECHNIK

Thermasgard® **HFTM**

Sleeve sensor with temperature measuring transducer, calibratable, with multi-range switching and active output (Automatic Output Switching)



HFTM
with cable gland and display



HFTM-Q
with M12 connector and display



High-performance encapsulation against vibration, mechanical stress and humidity

PS-PROTECTION
PERFECT SENSOR PROTECTION

Automatic detection and switching to standard signal 0...10V or 4...20 mA

AOS-PATENTED
AUTOMATIC OUTPUT SWITCHING



IP 65 (standard)
humidity-tight



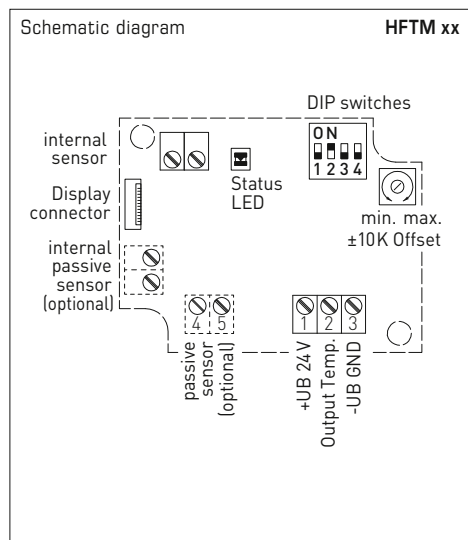
IP 68 (optional)
water-tight
Perfect Sensor Protection



IP 54 (optional)
with glass fibre cable



Sleeve sensor with temperature measuring transducer, calibratable, with multi-range switching and active output (Automatic Output Switching)



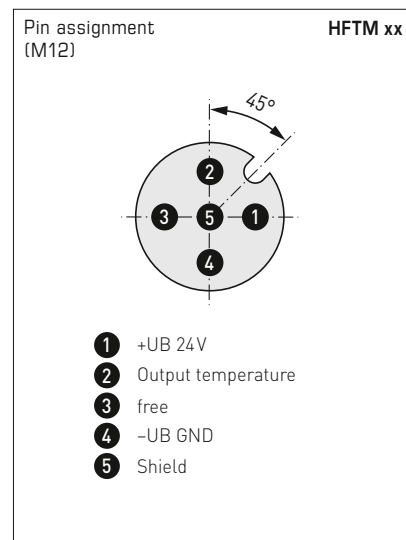
2-wire connection* **HFTM - I**

1	+UB 24V DC
2	Output Temp. 4...20mA
3	-UB GND (optional for backlighting)

* 2-wire connection for devices with / without display (not illuminated)
3-wire connection for devices with illuminated display

3-wire connection (AOS) **HFTM - A**

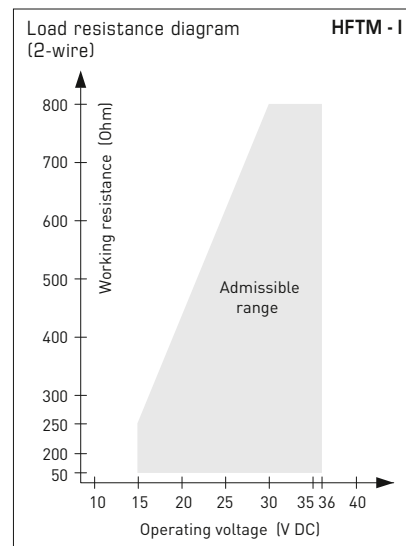
1	+UB 24V AC/DC
2	Output Temp. 0-10V / 4...20mA
3	-UB GND



Measuring ranges [°C] (adjustable)	DIP 1	DIP 2	DIP 3
-20...+ 150 °C	ON	ON	ON
-50... + 50 °C	OFF	ON	ON
-20... + 80 °C	ON	OFF	ON
-30... + 60 °C	OFF	OFF	ON
0... + 40 °C	ON	ON	OFF
0... + 50 °C (default)	OFF	ON	OFF
0... + 100 °C	ON	OFF	OFF
0... + 150 °C	OFF	OFF	OFF

Display (switchable)	DIP 4	
Imperial	°F	ON
SI (default)	°C	OFF

Display
Temperature [°C] → [°F]
The display value depends on the set unit system (DIP4).



For further technical information, see the operating instructions



NEW

Sleeve sensor with temperature measuring transducer, calibratable, with multi-range switching and active output (Automatic Output Switching)

HFTM-Q with M12 connector



HFTM with cable gland

THERMASGARD® HFTM		Sleeve sensor with temperature measuring transducer (with cable gland)				
Type / WG01	Output	Type	Display	Item No.	Price	
HFTM-I (2-wire)						
HFTM-I	4...20 mA	Remote sensor		1101-1152-0219-920	107,65 €	
HFTM-I LCD	4...20 mA	Remote sensor	■	1101-1152-2219-920	160,11 €	
HFTM-A (3-wire AOS)						
HFTM-A	0-10 V / 4...20 mA	Remote sensor		1101-115E-0219-920	107,65 €	
HFTM-A LCD	0-10 V / 4...20 mA	Remote sensor	■	1101-115E-2219-920	160,11 €	
Automatic Output Switching (AOS):	Patented analogue interface (patent no. DE 10 2015 015 941 B4) Unit automatically detects the required output type 0-10 V or 4...20 mA.					
Housing variant:	Cable connection with cable gland					
Extra charge:	other measuring ranges optional				26,16 €	
	Protection type IP68 (Sensor sleeve watertight compound-filled)				3,50 €	
	2-wire connecting leads, per running meter (silicone / PTFE / glass fibre)				on request	
	Other lengths of protection sleeve optional				on request	

THERMASGARD® HFTM-Q		Sleeve sensor with temperature measuring transducer (with M12 connector)				
Type / WG01I	Output	Type	Display	Item No.	Price	
HFTM-I Q (2-wire)						
HFTM-I Q	4...20 mA	Remote sensor	●	2001-2111-2100-001	150,82 €	
HFTM-I Q LCD	4...20 mA	Remote Sensor	● ■	2001-2112-2100-001	203,28 €	
HFTM-A Q (3-wire AOS)						
HFTM-A Q	0-10 V / 4...20 mA	Remote sensor	●	2001-2111-B100-001	150,82 €	
HFTM-A Q LCD	0-10 V / 4...20 mA	Remote Sensor	● ■	2001-2112-B100-001	203,28 €	
Automatic Output Switching (AOS):	Patented analogue interface (patent no. DE 10 2015 015 941 B4) Unit automatically detects the required output type 0-10 V or 4...20 mA.					
Housing variant "Q":	Cable connection with M12 connector (male, 5-pin, A-code)					
Extra charge:	see table above!					

ACCESSORIES	
THE-xx	Immersion sleeve, stainless steel V4A (1.4571) or nickel-plated brass, Ø = 9 mm
	Special accessories for M12 connector see chapter Accessories!

**Sleeve sensor with temperature measuring transducer,
calibratable, with multi-range switching and
active output (Automatic Output Switching)**

Patented quality product (patent no. DE 10 2015 015 941 B4)

Calibratable temperature measuring transducer with sleeve sensor **THERMASGARD® HFTM - VA**, with eight switchable measuring ranges (max. $-20\dots+150\text{ }^{\circ}\text{C}$), active output, rugged housing made from **stainless steel V4A**, with cable gland or M12 connector according to DIN EN 61076-2-101.

The measuring transducer converts the measured variables into a standard signal of 0-10 V or 4...20 mA. The unit with **Automatic Output Switching** (AOS variant) detects the required output type and automatically switches to U or I output. Alternatively, a **type version** (2-wire I variant) with 2-wire connection and I output is available.

The temperature transmitter with remote sensor is used to detect temperatures in liquid and gaseous media e.g. if installed in an immersion sleeve or as a duct sensor. The measuring transducer is factory-calibrated. Adjustment/fine adjustment by the user is possible (zero point offset is adjustable). A direct, permanent use in liquids is possible in combination with immersion sleeves **THE** (see chapter Accessories). The sensor is factory-calibrated; an environmental precision adjustment by an expert is possible.

TECHNICAL DATA

HFTM - I

Power supply:	15...36 V DC, depending on working resistance, residual ripple stabilised $\pm 0.3\text{ V}$
Working resistance:	$R_b\text{ (Ohm)} = (U_b - 14\text{ V}) / 0.02\text{ A}$
Connection type:	2-wire connection
Output:	4...20 mA

HFTM - A (AOS)

Power supply:	24 V AC / DC ($\pm 10\%$)
Load resistance:	$R_L = 25\dots450\text{ Ohm}$ with AOS I variant $R_L > 15\text{ kOhm}$ with AOS U variant
Connection type:	3-wire connection
Output:	automatic 0-10 V / 4...20 mA (via Automatic Output Switching – the unit detects the required output type and automatically switches to U or I output)

GENERAL

Power consumption:	$< 1.0\text{ VA} / 24\text{ V DC}$; $< 2.2\text{ VA} / 24\text{ V AC}$
Measuring ranges:	multi-range switching with 8 measuring ranges , see table (other ranges optional) with manual zero point correction ($\pm 10\text{ K}$)
Sensor:	Pt1000, DIN EN 60751, class B (Perfect Sensor Protection at IP68)
Deviation, temperature:	typically $\pm 0.2\text{ K}$ at $+25\text{ }^{\circ}\text{C}$
Insulating resistance:	$\geq 100\text{ M}\Omega$, at $+20\text{ }^{\circ}\text{C}$ (500 V DC)
Sensor protection:	sensor sleeve, stainless steel V4A (1.4571), $\varnothing = 6\text{ mm}$, nominal length NL = 50 mm (optional 30...400 mm)
Sensor cable:	Silicone, SiHF, $2 \times 0.25\text{ mm}^2$; cable length (KL) = 1.5m (other lengths and jacket materials, e.g. PTFE or glass fibre with steel mesh, available on request)
Housing:	stainless steel V4A (1.4571), with non-distortion cover bolting, impact resistant, high EMI shielding, corrosion, temperature, weather- and UV-resistant
Housing dimension:	143 x 97 x 61 mm (Tyr2E)
Cable connection:	cable gland, stainless steel V2A (1.4305) (M20 x 1.5; with strain relief, exchangeable, inner diameter 6 - 12 mm) or M12 connector (male, 5-pin, A-code) according to DIN EN 61076-2-101
Electrical connection:	0.14 - 1.5 mm ² , via terminal screws
Ambient temperature:	measuring transducer $-30\dots+70\text{ }^{\circ}\text{C}$
Permissible humidity:	$< 95\%$ RH, non-precipitating air
Protection class:	III (according EN 60 730)
Protection type housing:	IP 65 (according to EN 60 529) Housing tested, TÜV SÜD, Report No. 713160960B (Skadi2)
Protection type sensor:	IP 65 (according to EN 60 529) sleeve humidity-tight (standard) IP 68 (according to EN 60 529) sleeve water-tight (optional) IP 54 (according to EN 60 529) with glass fibre cable (optional)
Standards:	CE conformity, electromagnetic compatibility according to EN 61326, according to EMC directive 2014 / 30 / EU

ACCESSORIES

(see table)

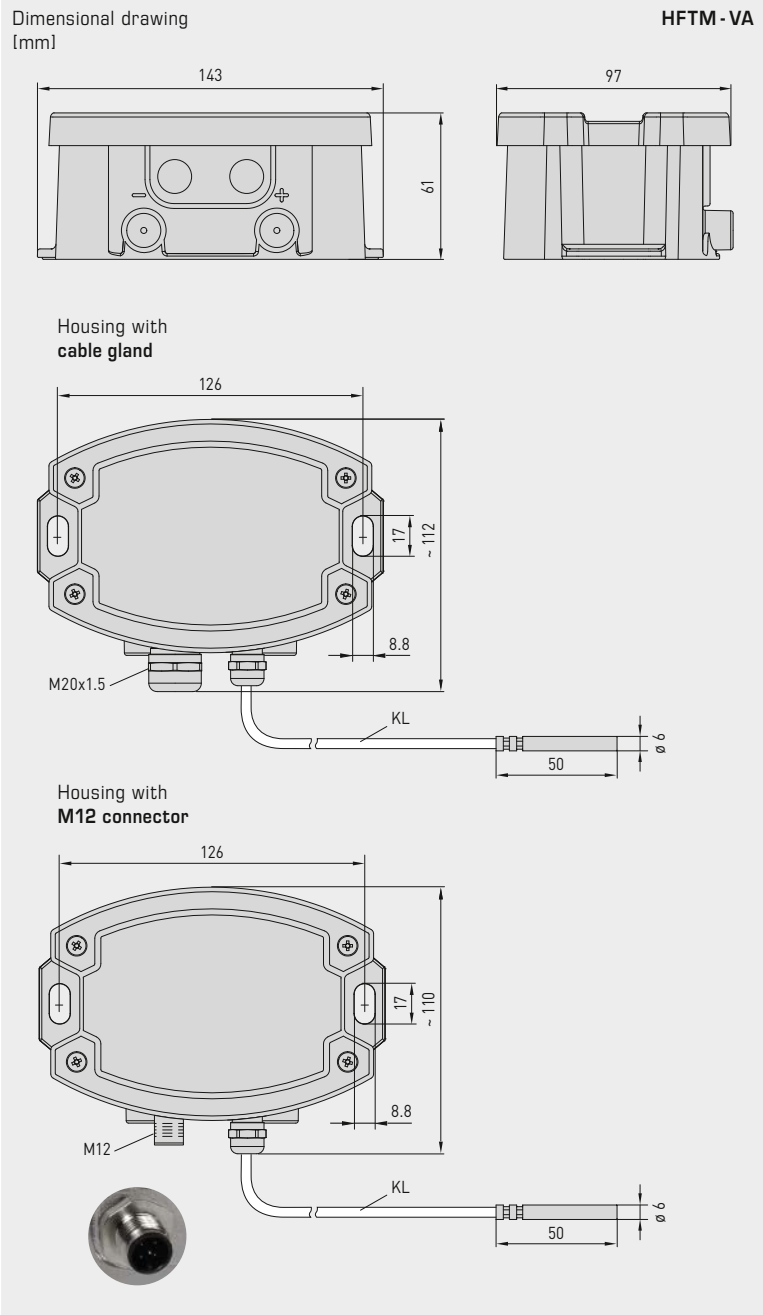


NEW

S+S REGELTECHNIK

Thermasgard® **HFTM - VA**

Sleeve sensor with temperature measuring transducer, calibratable, with multi-range switching and active output (Automatic Output Switching)



HFTM - VA
with cable gland



HFTM - VAQ
with M12 connector



High-performance encapsulation against vibration, mechanical stress and humidity

PS-PROTECTION
PERFECT SENSOR PROTECTION

Automatic detection and switching to standard signal 0...10V or 4...20mA

AOS-PATENTED
AUTOMATIC OUTPUT SWITCHING



IP 65 (standard)
humidity-tight

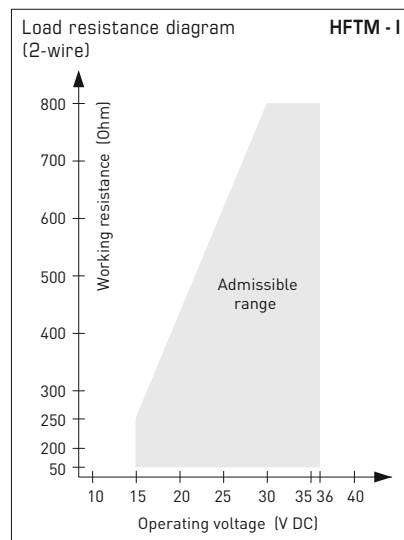
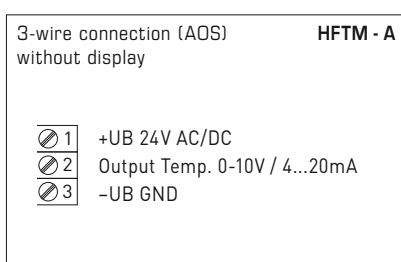
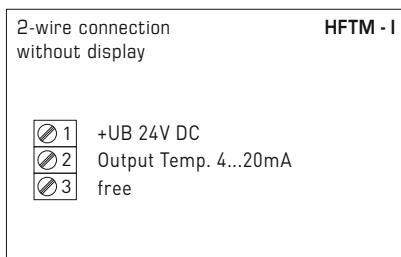
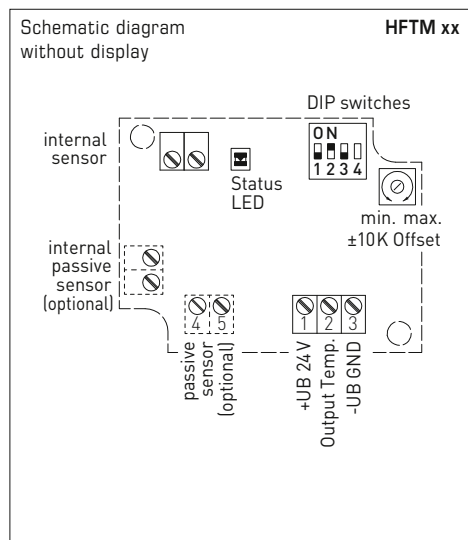


IP 68 (optional)
water-tight
Perfect Sensor Protection



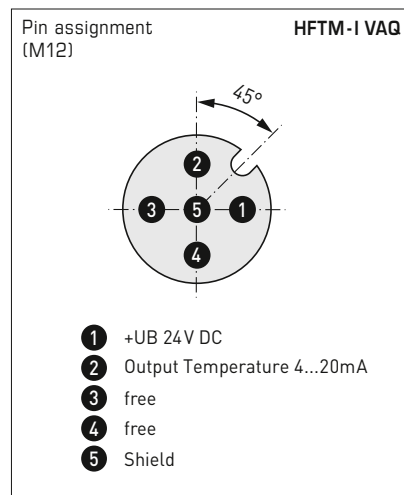
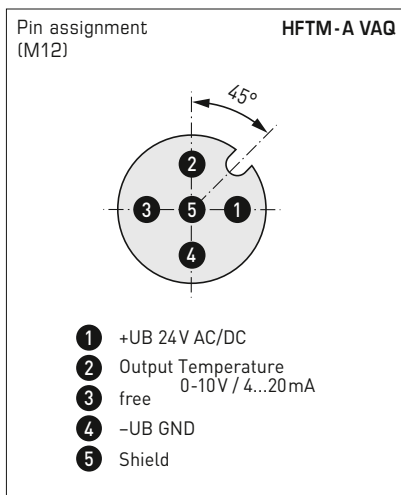
IP 54 (optional)
with glass fibre cable

Sleeve sensor with temperature measuring transducer, calibratable, with multi-range switching and active output (Automatic Output Switching)



Measuring ranges [°C] (adjustable)	DIP 1	DIP 2	DIP 3
-20...+ 150 °C	ON	ON	ON
-50... + 50 °C	OFF	ON	ON
-20... + 80 °C	ON	OFF	ON
-30... + 60 °C	OFF	OFF	ON
0... + 40 °C	ON	ON	OFF
0... + 50 °C (default)	OFF	ON	OFF
0... + 100 °C	ON	OFF	OFF
0... + 150 °C	OFF	OFF	OFF

DIP4 has no function!



For further technical information, see the operating instructions



NEW

Sleeve sensor with temperature measuring transducer, calibratable, with multi-range switching and active output (Automatic Output Switching)

HFTM - VAQ
with M12 connector

HFTM - VA
with cable gland



THERMASGARD® HFTM - VA		Sleeve sensor with temperature measuring transducer, ID (Stainless steel housing with cable gland)		
Type / WG02I	Output	Type	Item No.	Price
HFTM - I VA	(2-wire)			
HFTM-I VA	4...20 mA	Remote sensor	2001-2141-2200-001	394,82 €
HFTM - A VA	(3-wire AOS)			
HFTM-A VA	0-10 V / 4...20 mA	Remote sensor	2001-2141-B200-001	394,82 €
Automatic Output Switching (AOS):	Patented analogue interface (patent no. DE 10 2015 015 941 B4) Unit automatically detects the required output type 0-10 V or 4...20 mA.			
Housing variant:	Cable connection with cable gland			
Extra charge:	other measuring ranges optional Protection type IP68 (Sensor sleeve watertight compound-filled) 2-wire connecting leads, per running meter (silicone / PTFE / glass fibre) Other lengths of protection sleeve optional			26,16 € 3,50 € on request on request

THERMASGARD® HFTM - VAQ		Sleeve sensor with temperature measuring transducer, ID (Stainless steel housing with M12 connector)		
Type / WG01I	Output	Type	● = Q Item No.	Price
HFTM - I VAQ	(2-wire)			
HFTM-I VAQ	4...20 mA	Remote sensor	● 2001-2141-2100-001	434,53 €
HFTM - A VAQ	(3-wire AOS)			
HFTM-A VAQ	0-10 V / 4...20 mA	Remote sensor	● 2001-2141-B100-001	434,53 €
Automatic Output Switching (AOS):	Patented analogue interface (patent no. DE 10 2015 015 941 B4) Unit automatically detects the required output type 0-10 V or 4...20 mA.			
Housing variant "Q":	Cable connection with M12 connector (male, 5-pin, A-code)			
Extra charge:	other measuring ranges optional Protection type IP68 (Sensor sleeve watertight compound-filled) 2-wire connecting leads, per running meter (silicone / PTFE / glass fibre) Other lengths of protection sleeve optional			26,16 € 3,50 € on request on request

ACCESSORIES	
THE-xx	Immersion sleeve, stainless steel V4A (1.4571) or nickel-plated brass, Ø = 9 mm
	Special accessories for M12 connector see chapter Accessories!

Surface contact / tube contact temperature measuring transducers, including strap, compact variant, calibratable, with multi-range switching and active outputg [Automatic Output Switching]

ALTM 1

Patented quality product (patent no. DE 10 2015 015 941 B4)

Calibratable surface-contact temperature measuring transducer **THERMASGARD® ALTM 1**, with eight switchable measuring ranges (max. -20...+150 °C), active output, compact variant incl. strap, housing made from impact-resistant plastic with quick-release screws, with cable gland or M12 connector according to DIN EN 61076-2-101, optionally with /without display. The standard display can be changed from SI [°C] to imperial [°F] units via DIP switch.

The measuring transducer converts the measured variables into a standard signal of 0- 10 V or 4...20 mA. The unit with **Automatic Output Switching** (AOS variant) detects the required output type and automatically switches to U or I output. Alternatively, a **type version** (2-wire I variant) with 2-wire connection and I output is available.

The surface-contact sensor is used to detect the temperature on lines, pipes (e.g., cold and warm water) or on heating sections for heating control. The sensor is factory-calibrated; an environmental precision adjustment by an expert is possible.



TECHNICAL DATA

ALTM 1 - I

Power supply:	15...36 V DC, depending on working resistance, residual ripple stabilised ± 0.3 V
Working resistance:	$R_a \text{ (Ohm)} = (U_b - 14 \text{ V}) / 0.02 \text{ A}$
Connection type:	2-wire connection
Output:	4...20 mA

ALTM 1 - A (AOS)

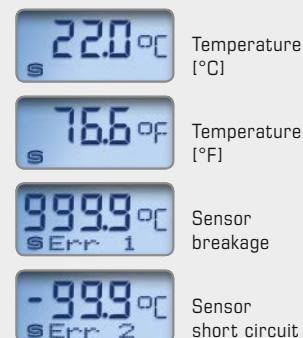
Power supply:	24 V AC / DC (± 10 %)
Load resistance:	$R_L = 25...450 \text{ Ohm}$ with AOS I variant $R_L > 15 \text{ kOhm}$ with AOS U variant
Connection type:	3-wire connection
Output:	automatic 0-10 V / 4...20 mA (via Automatic Output Switching – the unit detects the required output type and automatically switches to U or I output)

GENERAL

Power consumption:	< 1.0 VA / 24 V DC; < 2.2 VA / 24 V AC
System of units:	SI (default) or Imperial (switchable via DIP switch)
Data points:	Temperature [°C] [°F]
Measuring ranges:	multi-range switching with 8 measuring ranges , see table (other ranges optional) T_{max} up to +100 °C , operating range -50...+100 °C with manual zero point correction (± 10 K)
Sensor:	Pt1000, DIN EN 60751, class B (Perfect Sensor Protection)
Deviation, temperature:	typically ± 0.2 K at +25 °C
Insulating resistance:	≥ 100 MΩ, at +20 °C (500 V DC)
Housing:	plastic, UV-resistant, material polyamide, 30 % glass-globe reinforced, with quick-release screws (slotted / Phillips head combination), colour traffic white (similar to RAL 9016), cover for display is transparent!
Housing dimension:	72 x 64 x 37.8 mm (Tyr 1 without display) 72 x 64 x 43.3 mm (Tyr 1 with display)
Cable connection:	cable gland , plastic (M 16 x 1.5; with strain relief, exchangeable, max. inner diameter 10.4 mm) or M12 connector (male, 5-pin, A-code) according to DIN EN 61076-2-101
Electrical connection:	0.14 - 1.5 mm², via terminal screws
Process connection:	endless strap with metal tightener, (included in the scope of delivery) Ø = 13-92 mm (¼ - 3"), length L = 300 mm
Ambient temperature:	measuring transducer -30...+70 °C
Permissible humidity:	< 95 % RH, non-precipitating air
Protection class:	III (according to EN 60 730)
Protection type:	IP65 (according to EN 60 529) Housing tested, TÜV SÜD, Report No.713139052 (Tyr 1)
Standards:	CE conformity, electromagnetic compatibility according to EN 61326, according to EMC directive 2014 / 30 / EU
Optional:	two-line display with illumination , cutout approx. 36 x 15 mm (W x H), for displaying the ACTUAL temperature and the internal diagnostics (sensor breakage, sensor short circuit)

ACCESSORIES (see table)

Display and internal diagnostics
THERMASGARD®
Measuring transducer with display





NEW

S+S REGELTECHNIK

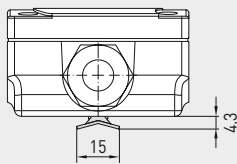
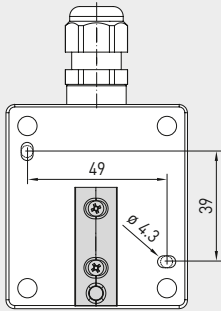
THERMASGARD® ALTM 1

Surface contact / tube contact temperature measuring transducers, including strap, compact variant, calibratable, with multi-range switching and active output (Automatic Output Switching)

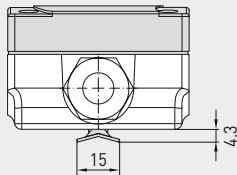
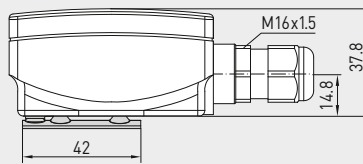


Dimensional drawing [mm]

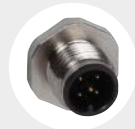
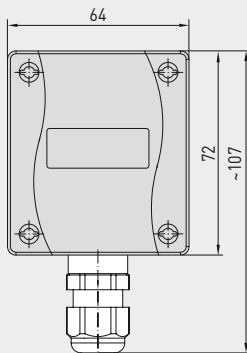
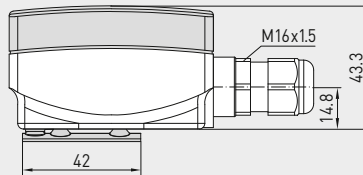
ALTM 1



without display



with display



M12 connector (optional on request)

ALTM 1 with display



High-performance encapsulation against vibration, mechanical stress and humidity

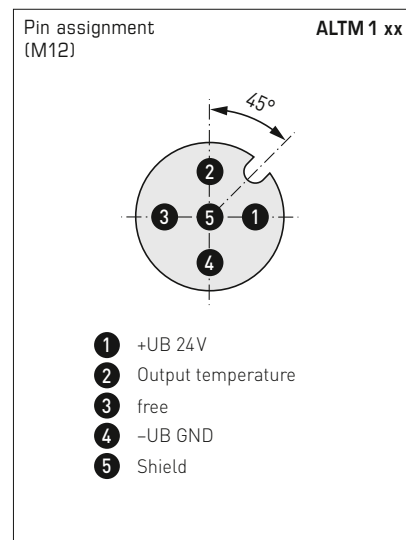
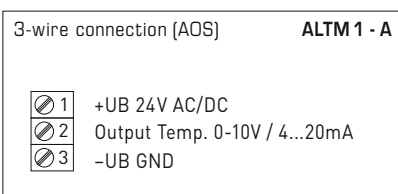
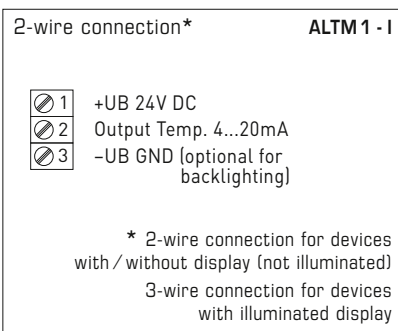
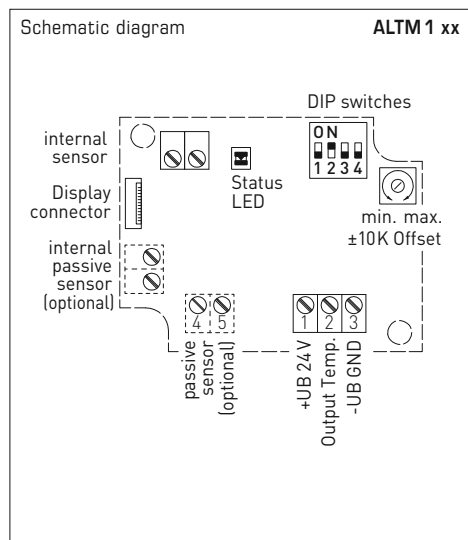
PS-PROTECTION
PERFECT SENSOR PROTECTION

Automatic detection and switching to standard signal 0...10V or 4...20mA

AOS-PATENTED
AUTOMATIC OUTPUT SWITCHING



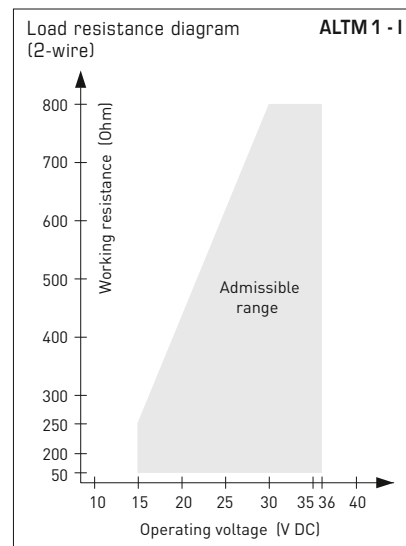
Surface contact / tube contact temperature measuring transducers, including strap, compact variant, calibratable, with multi-range switching and active output (Automatic Output Switching)



Measuring ranges [°C] (adjustable)	DIP 1	DIP 2	DIP 3
-20...+150 °C	ON	ON	ON
-50... +50 °C	OFF	ON	ON
-20... +80 °C	ON	OFF	ON
-30... +60 °C	OFF	OFF	ON
0... +40 °C	ON	ON	OFF
0... +50 °C (default)	OFF	ON	OFF
0...+100 °C	ON	OFF	OFF
0...+150 °C	OFF	OFF	OFF

Display (switchable)	DIP 4
Imperial [°F]	ON
SI (default) [°C]	OFF

Display
Temperature [°C] → [°F]
The display value depends on the set unit system (DIP4).



For further technical information, see the operating instructions



NEW

Surface contact / tube contact temperature measuring transducers, including strap, compact variant, calibratable, with multi-range switching and active output (Automatic Output Switching)

ALTM 1 - Q
with M12 connector
(on request)

ALTM 1
with cable gland



THERMASGARD® ALTM 1		Surface contact / tube contact temperature measuring transducers (compact variant)				
Type / WG01	Output	Type	Display	Item No.	Price	
ALTM 1 - I (2-wire)						
ALTM1-I	4...20 mA	compact		1101-1112-0219-920	108,18 €	
ALTM1-I LCD	4...20 mA	compact	■	1101-1112-2219-920	160,64 €	
ALTM 1 - A (3-wire AOS)						
ALTM1-A	0-10 V / 4...20 mA	compact		1101-111E-0219-920	108,18 €	
ALTM1-A LCD	0-10 V / 4...20 mA	compact	■	1101-111E-2219-920	160,64 €	
Automatic Output Switching (AOS):	Patented analogue interface (patent no. DE 10 2015 015 941 B4) Unit automatically detects the required output type 0-10 V or 4...20 mA.					
Extra charge:	Other ranges optional Cable connection with M12 connector according to DIN EN 61076-2-101				26,16 € on request	

ACCESSORIES			
WLP-1	Heat-conductive paste, silicone-free	7100-0060-1000-000	4,79 €
Special accessories for M12 connector see chapter Accessories!			



Surface contact / tube contact temperature measuring transducers, incl. strap, with detached sensor head, calibratable, with multi-range switching and active output (Automatic Output Switching)

Patented quality product (patent no. DE 10 2015 015 941 B4)

Calibratable tube contact temperature measuring transducer **THERMASGARD® ALTM 2**, with eight switchable measuring ranges (max. -20...+150 °C), active output, external sensor, incl. strap, housing made from impact-resistant plastic with quick-release screws, with cable gland or M12 connector according to DIN EN 61076-2-101, optionally with /without display. The standard display can be changed from SI [°C] to imperial [°F] units via DIP switch.

The measuring transducer converts the measured variables into a standard signal of 0- 10 V or 4...20 mA. The unit with **Automatic Output Switching** (AOS variant) detects the required output type and automatically switches to U or I output. Alternatively, a **type version** (2-wire I variant) with 2-wire connection and I output is available.

The surface-contact sensor is used for temperature detection on lines, pipes (e.g. cold and hot water) or on heating sections for heating system control. The sensor is factory-calibrated; an environmental precision adjustment by an expert is possible.

ALTM 2
with cable gland



ALTM 2 - Q
with M12 connector

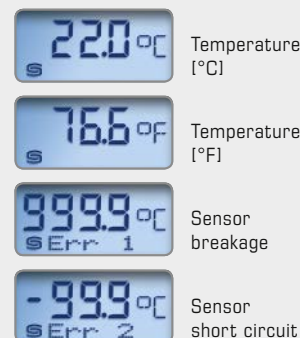


TECHNICAL DATA

ALTM 2 - I	
Power supply:	15...36 V DC, depending on working resistance, residual ripple stabilised ± 0.3 V
Working resistance:	R_b (Ohm) = $(U_b - 14 V) / 0.02 A$
Connection type:	2-wire connection
Output:	4...20 mA
ALTM 2 - A (AOS)	
Power supply:	24 V AC / DC (± 10%)
Load resistance:	$R_L = 25...450 \text{ Ohm}$ with AOS I variant $R_L > 15 \text{ kOhm}$ with AOS U variant
Connection type:	3-wire connection
Output:	automatic 0-10 V / 4...20 mA (via Automatic Output Switching – the unit detects the required output type and automatically switches to U or I output)

GENERAL	
Power consumption:	< 1.0 VA / 24 V DC; < 2.2 VA / 24 V AC
System of units:	SI (default) or Imperial (switchable via DIP switch)
Data points:	Temperature [°C] [°F]
Measuring ranges:	multi-range switching with 8 measuring ranges , see table (other ranges optional) T_{max} up to +100 °C , operating range -50...+150 °C with manual zero point correction (± 10K)
Sensor:	Pt1000, DIN EN 60751, class B (Perfect Sensor Protection) at IP68)
Deviation, temperature:	typically ± 0.2 K at +25 °C
Insulating resistance:	≥ 100 MΩ, at +20 °C (500 V DC)
Sensor protection:	pipe feeder made of stainless steel V4A (1.4571), Ø = 6 mm, L = 50 mm
Sensor cable:	Silicone, SiHF, 2x0.25mm ² ; cable length (KL) = 1.5m (other lengths and jacket materials, e.g. PTFE or glass fibre with steel mesh, available on request)
Housing:	plastic, UV-resistant, material polyamide, 30 % glass-globe reinforced, with quick-release screws (slotted / Phillips head combination), colour traffic white (similar to RAL 9016), cover for display is transparent!
Housing dimension:	72 x 64 x 37.8 mm (Tyr 1 without display) 72 x 64 x 43.3 mm (Tyr 1 with display)
Cable connection:	cable gland , plastic (M16 x 1.5; with strain relief, exchangeable, max. inner diameter 10.4 mm) or M12 connector (male, 5-pin, A-code) according to DIN EN 61076-2-101
Electrical connection:	0.14 - 1.5 mm ² , via terminal screws
Process connection:	endless strap with metal tightener (included in the scope of delivery) Ø = 13 - 92 mm (¼ - 3"), L = 300 mm
Ambient temperature:	measuring transducer -30...+70 °C
Permissible humidity:	< 95% RH, non-precipitating air
Protection class:	III (according to EN 60 730)
Protection type housing:	IP65 (according to EN 60 529) Housing tested, TÜV SÜD, Report No. 713139052 (Tyr 1)
Protection type sensor:	IP65 (according to EN 60 529) sleeve humidity-tight (standard) IP68 (according to EN 60 529) sleeve water-tight (optional)
Standards:	CE conformity, electromagnetic compatibility according to EN 61326, according to EMC directive 2014 / 30 / EU
Optional:	two-line display with illumination , cutout approx. 36 x 15 mm (W x H), for displaying the ACTUAL temperature and the internal diagnostics (sensor breakage, sensor short circuit)
ACCESSORIES	(see table)

Display and internal diagnostics
THERMASGARD®
Measuring transducer with display



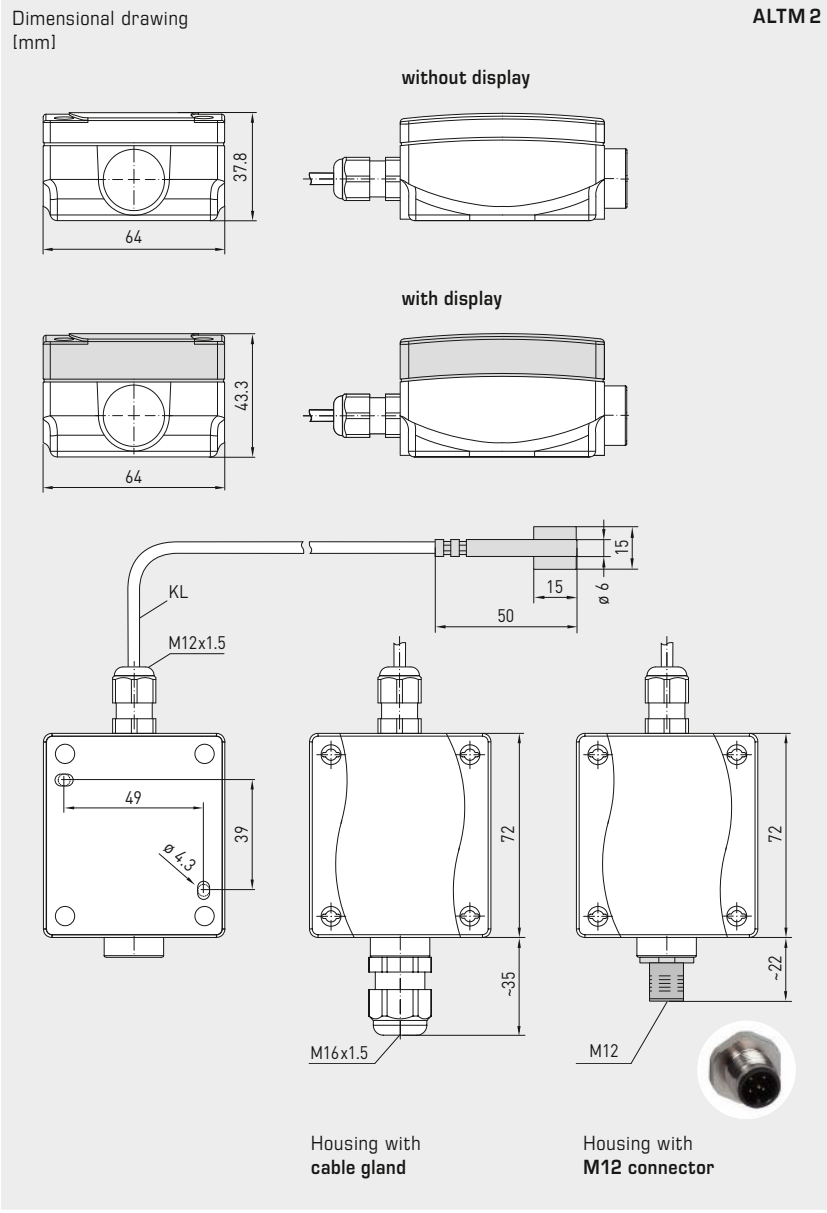


NEW

S+S REGELTECHNIK

THERMASGARD® ALTM 2

Surface contact / tube contact temperature measuring transducers, incl. strap, with detached sensor head, calibratable, with multi-range switching and active output (Automatic Output Switching)



ALTM 2
with cable gland and display



ALTM 2-Q
with M12 connector and display



High-performance encapsulation against vibration, mechanical stress and humidity

PS-PROTECTION
PERFECT SENSOR PROTECTION

Automatic detection and switching to standard signal 0...10V or 4...20 mA

AOS-PATENTED
AUTOMATIC OUTPUT SWITCHING

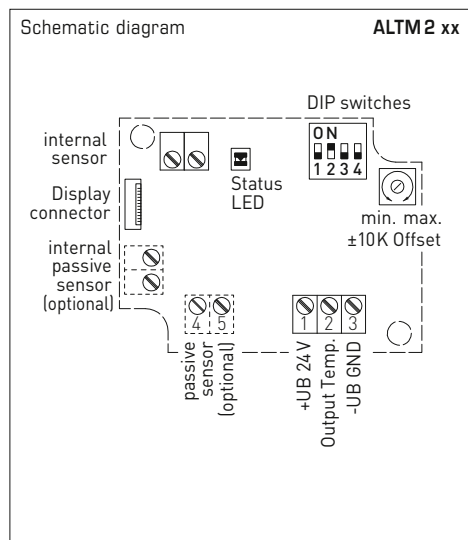


IP 65 (standard)
humidity-tight

IP 68 (optional)
water-tight
Perfect Sensor Protection



Surface contact / tube contact temperature measuring transducers, incl. strap, with detached sensor head, calibratable, with multi-range switching and active output (Automatic Output Switching)



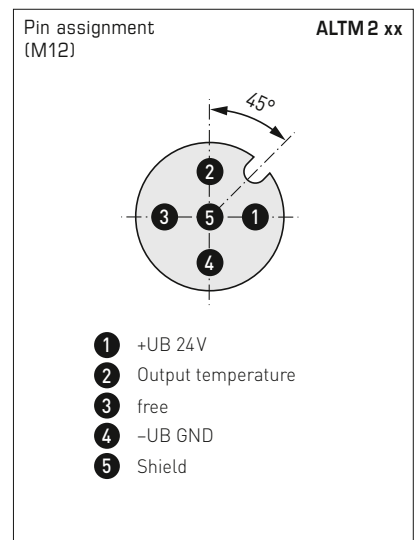
2-wire connection* ALTM 2 - I

- 1 +UB 24V DC
- 2 Output Temp. 4...20mA
- 3 -UB GND (optional for backlighting)

* 2-wire connection for devices with / without display (not illuminated)
3-wire connection for devices with illuminated display

3-wire connection (AOS) ALTM 2 - A

- 1 +UB 24V AC/DC
- 2 Output Temp. 0-10V / 4...20mA
- 3 -UB GND

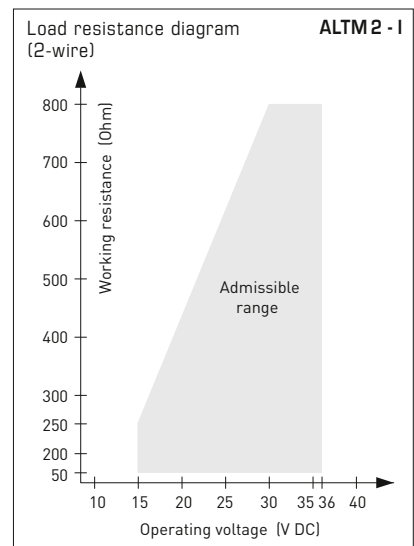


Measuring ranges [°C] (adjustable)	DIP 1	DIP 2	DIP 3
-20...+ 150 °C	ON	ON	ON
-50... + 50 °C	OFF	ON	ON
-20... + 80 °C	ON	OFF	ON
-30... + 60 °C	OFF	OFF	ON
0... + 40 °C	ON	ON	OFF
0... + 50 °C (default)	OFF	ON	OFF
0... + 100 °C	ON	OFF	OFF
0... + 150 °C	OFF	OFF	OFF

Display (switchable)	DIP 4
Imperial [°F]	ON
SI (default) [°C]	OFF

Display
Temperature [°C] → [°F]

The display value depends on the set unit system (DIP4).



For further technical information, see the operating instructions



NEW

Surface contact / tube contact temperature measuring transducers, incl. strap, with detached sensor head, calibratable, with multi-range switching and active output (Automatic Output Switching)

ALTM 2 - Q
with M12 connector



ALTM 2
with cable gland

THERMASGARD® ALTM 2		Surface contact / tube contact temperature measuring transducers (with cable gland)				
Type / WG01	Output	Type	Display	Item No.	Price	
ALTM 2 - I (2-wire)						
ALTM2-I	4...20 mA	Remote sensor		1101-1122-0219-920	115,38 €	
ALTM2-I LCD	4...20 mA	Remote sensor	■	1101-1122-2219-920	167,85 €	
ALTM 2 - A (3-wire AOS)						
ALTM2-A	0-10 V / 4...20 mA	Remote sensor		1101-112E-0219-920	115,38 €	
ALTM2-A LCD	0-10 V / 4...20 mA	Remote sensor	■	1101-112E-2219-920	167,85 €	
Automatic Output Switching (AOS):	Patented analogue interface (patent no. DE 10 2015 015 941 B4) Unit automatically detects the required output type 0-10 V or 4...20 mA.					
Housing variant:	Cable connection with cable gland					
Extra charge:	other measuring ranges optional Protection type IP 68 (Sensor sleeve watertight compound-filled) 2-wire connecting leads, per running meter (silicone / PTFE / glass fibre)				26,16 € 3,50 € on request	

THERMASGARD® ALTM 2 - Q		Surface contact / tube contact temperature measuring transducers (with M12 connector)				
Type / WG01I	Output	Type	Display	Item No.	Price	
ALTM 2 - I Q (2-wire)						
ALTM2-I Q	4...20 mA	Remote sensor	●	2001-2121-2100-001	158,57 €	
ALTM2-I Q LCD	4...20 mA	Remote Sensor	● ■	2001-2122-2100-001	211,02 €	
ALTM 2 - A Q (3-wire AOS)						
ALTM2-A Q	0-10 V / 4...20 mA	Remote sensor	●	2001-2121-B100-001	158,57 €	
ALTM2-A Q LCD	0-10 V / 4...20 mA	Remote Sensor	● ■	2001-2122-B100-001	211,02 €	
Automatic Output Switching (AOS):	Patented analogue interface (patent no. DE 10 2015 015 941 B4) Unit automatically detects the required output type 0-10 V or 4...20 mA.					
Housing variant "Q":	Cable connection with M12 connector (male, 5-pin, A-code)					
Extra charge:	see table above!					

ACCESSORIES					
WLP-1	Heat-conductive paste, silicone-free			7100-0060-1000-000	4,79 €
Special accessories for M12 connector see chapter Accessories!					

Surface contact / tube contact temperature measuring transducers, incl. strap, with detached sensor head, calibratable, with multi-range switching and active output (Automatic Output Switching)

Patented quality product (patent no. DE 10 2015 015 941 B4)

Calibratable tube contact temperature measuring transducer **THERMASGARD® ALTM 2 - VA**, with eight switchable measuring ranges (max. -20...+150 °C), active output, external sensor, incl. strap, rugged housing made from **stainless steel V4A**, with cable gland or M12 connector according to DIN EN 61076-2-101.

The measuring transducer converts the measured variables into a standard signal of 0 - 10 V or 4...20 mA. The unit with **Automatic Output Switching** (AOS variant) detects the required output type and automatically switches to U or I output. Alternatively, a **type version** (2-wire I variant) with 2-wire connection and I output is available.

The surface-contact sensor is used for temperature detection on lines, pipes (e.g. cold and hot water) or on heating sections for heating system control. The sensor is factory-calibrated; an environmental precision adjustment by an expert is possible.

TECHNICAL DATA

ALTM 2 - I

Power supply:	15...36 V DC, depending on working resistance, residual ripple stabilised ± 0.3 V
Working resistance:	$R_b \text{ (Ohm)} = (U_b - 14 \text{ V}) / 0.02 \text{ A}$
Connection type:	2-wire connection
Output:	4...20 mA

ALTM 2 - A (AOS)

Power supply:	24 V AC / DC (± 10 %)
Load resistance:	$R_L = 25...450 \text{ Ohm}$ with AOS I variant $R_L > 15 \text{ kOhm}$ with AOS U variant
Connection type:	3-wire connection
Output:	automatic 0-10 V / 4...20 mA (via Automatic Output Switching – the unit detects the required output type and automatically switches to U or I output)

GENERAL

Power consumption:	< 1.0 VA / 24 V DC; < 2.2 VA / 24 V AC
Measuring ranges:	multi-range switching with 8 measuring ranges , see table (other ranges optional) T_{max} up to +100 °C , operating range -50...+150 °C with manual zero point correction (± 10 K)
Sensor:	Pt1000, DIN EN 60751, class B (Perfect Sensor Protection) at IP68
Deviation, temperature:	typically ± 0.2 K at +25 °C
Insulating resistance:	≥ 100 MΩ, at +20 °C (500 V DC)
Sensor protection:	pipe feeder made of stainless steel V4A (1.4571), Ø = 6 mm, L = 50 mm
Sensor cable:	Silicone, SiHF, 2x0.25mm ² ; cable length (KL) = 1.5m (other lengths and jacket materials, e.g. PTFE or glass fibre with steel mesh, available on request)
Housing:	stainless steel V4A (1.4571), with non-distortion cover bolting, impact resistant, high EMI shielding, corrosion, temperature, weather- and UV-resistant
Housing dimension:	143 x 97 x 61 mm (Tyr2E)
Cable connection:	cable gland, stainless steel V2A (1.4305) (M20 x 1.5; with strain relief, exchangeable, inner diameter 6 - 12 mm) or M12 connector (male, 5-pin, A-code) according to DIN EN 61076-2-101
Electrical connection:	0.14 - 1.5 mm ² , via terminal screws
Process connection:	endless strap with metal tightener (included in the scope of delivery) Ø = 13 - 92 mm (¼ - 3"), L = 300 mm
Ambient temperature:	measuring transducer -30...+70 °C
Permissible humidity:	< 95 % RH, non-precipitating air
Protection class:	III (according to EN 60 730)
Protection type housing:	IP 65 (according to EN 60 529) Housing tested, TÜV SÜD, Report No. 713160960B (Skadi2)
Protection type sensor:	IP 65 (according to EN 60 529) sleeve humidity-tight (standard) IP 68 (according to EN 60 529) sleeve water-tight (optional)
Standards:	CE conformity, electromagnetic compatibility according to EN 61326, according to EMC directive 2014 / 30 / EU

ACCESSORIES (see table)

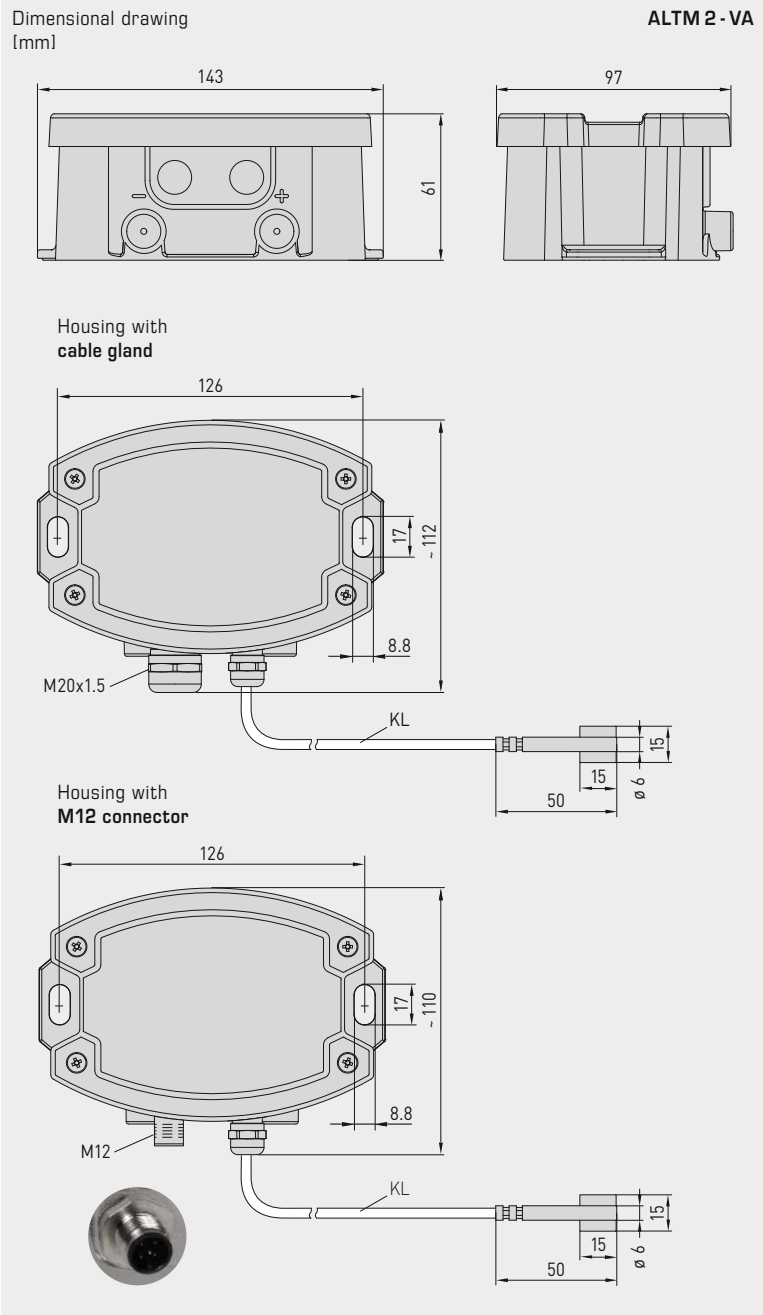


NEW

S+S REGELTECHNIK

Thermasgard® **ALTM 2 - VA**

Surface contact / tube contact temperature measuring transducers, incl. strap, with detached sensor head, calibratable, with multi-range switching and active output (Automatic Output Switching)



ALTM 2 - VA
with cable gland



ALTM 2 - VAQ
with M12 connector



High-performance encapsulation against vibration, mechanical stress and humidity

PS-PROTECTION
PERFECT SENSOR PROTECTION

Automatic detection and switching to standard signal 0...10V or 4...20mA

AOS-PATENTED
AUTOMATIC OUTPUT SWITCHING

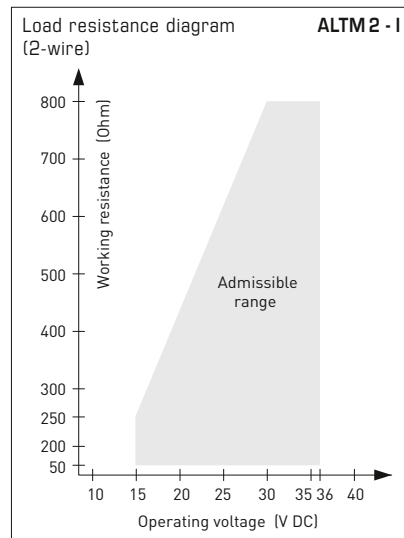
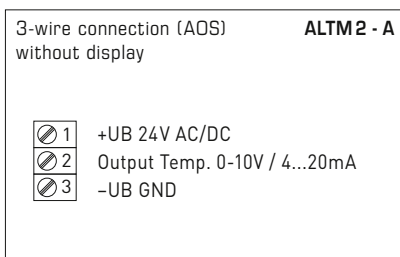
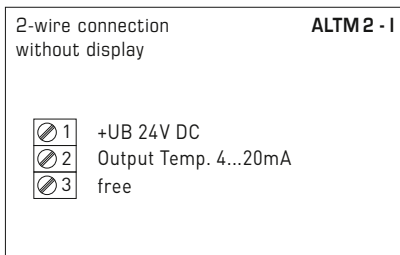
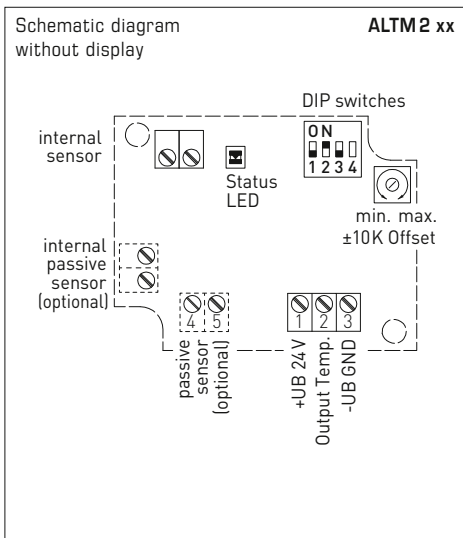


IP 65 (standard)
humidity-tight



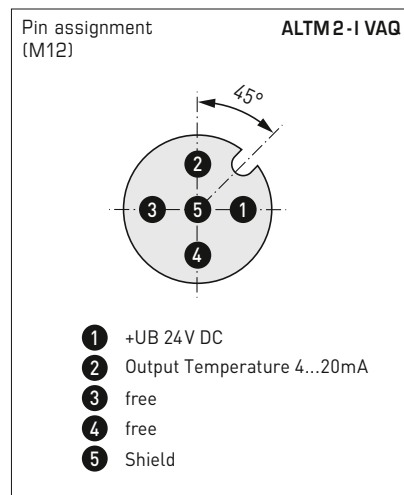
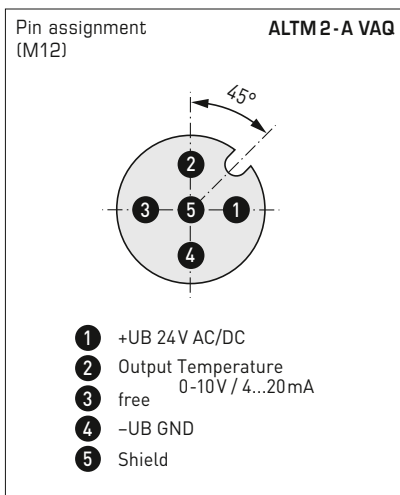
IP 68 (optional)
water-tight
Perfect Sensor Protection

Surface contact / tube contact temperature measuring transducers, incl. strap, with detached sensor head, calibratable, with multi-range switching and active output (Automatic Output Switching)



Measuring ranges [°C] (adjustable)	DIP 1	DIP 2	DIP 3
-20...+ 150 °C	ON	ON	ON
-50... + 50 °C	OFF	ON	ON
-20... + 80 °C	ON	OFF	ON
-30... + 60 °C	OFF	OFF	ON
0... + 40 °C	ON	ON	OFF
0... + 50 °C (default)	OFF	ON	OFF
0... + 100 °C	ON	OFF	OFF
0... + 150 °C	OFF	OFF	OFF

DIP4 has no function!



For further technical information, see the operating instructions



NEW

Surface contact / tube contact temperature measuring transducers, incl. strap, with detached sensor head, calibratable, with multi-range switching and active output (Automatic Output Switching)

ALTM 2 - VAQ
with M12 connector

ALTM 2 - VA
with cable gland



THERMASGARD® ALTM 2 - VA		Surface contact / tube contact temperature measuring transducers, <i>ID</i> (Stainless steel housing with cable gland)		
Type / WG02I	Output	Type	Item No.	Price
ALTM 2 - I VA	(2-wire)			
ALTM2-I VA	4...20 mA	Remote sensor	2001-2151-2200-001	406,45 €
ALTM 2 - A VA	(3-wire AOS)			
ALTM2-A VA	0-10 V / 4...20 mA	Remote sensor	2001-2151-B200-001	406,45 €
Automatic Output Switching (AOS):	Patented analogue interface (patent no. DE 10 2015 015 941 B4) Unit automatically detects the required output type 0-10 V or 4...20 mA.			
Housing variant:	Cable connection with cable gland			
Extra charge:	other measuring ranges optional Protection type IP 68 (Sensor sleeve watertight compound-filled) 2-wire connecting leads, per running meter (silicone / PTFE / glass fibre)			26,16 € 3,50 € on request

THERMASGARD® ALTM 2 - VAQ		Surface contact / tube contact temperature measuring transducers, <i>ID</i> (Stainless steel housing with M12 connector)		
Type / WG02I	Output	Type	● = Q Item No.	Price
ALTM 2 - I VAQ	(2-wire)			
ALTM2-I VAQ	4...20 mA	Remote sensor	● 2001-2151-2100-001	446,14 €
ALTM 2 - A VAQ	(3-wire AOS)			
ALTM2-A VAQ	0-10 V / 4...20 mA	Remote sensor	● 2001-2151-B100-001	446,14 €
Automatic Output Switching (AOS):	Patented analogue interface (patent no. DE 10 2015 015 941 B4) Unit automatically detects the required output type 0-10 V or 4...20 mA.			
Housing variant "Q":	Cable connection with M12 connector (male, 5-pin, A-code)			
Extra charge:	other measuring ranges optional Protection type IP 68 (Sensor sleeve watertight compound-filled) 2-wire connecting leads, per running meter (silicone / PTFE / glass fibre)			26,16 € 3,50 € on request

ACCESSORIES			
WLP-1	Heat-conductive paste, silicone-free	7100-0060-1000-000	4,79 €
Special accessories for M12 connector see chapter Accessories!			

Pendulum room temperature measuring transducers, calibratable, with multi-range switching and active output (Automatic Output Switching)

Patented quality product (patent no. DE 10 2015 015 941 B4)

Calibratable room pendulum temperature measuring transducer (with sleeve) **THERMASGARD® RPTM 1**, with eight switchable measuring ranges (max. -20...+150 °C), active output, cable sensor with stainless steel sleeve and plastic sinter filter (exchangeable), housing made from impact-resistant plastic with quick-release screws, with cable gland or M12 connector according to DIN EN 61076-2-101, optionally with /without display. The standard display can be changed from SI [°C] to imperial [°F] units via DIP switch.

The measuring transducer converts the measured variables into a standard signal of 0- 10 V or 4...20 mA. The unit with **Automatic Output Switching** (AOS variant) detects the required output type and automatically switches to U or I output. Alternatively, a **type version** (2-wire I variant) with 2-wire connection and I output is available.

The pendulum sensor has been specially designed to detect the temperature in larger rooms or halls. The resistance thermometer achieves a very good representative measurement result due to its positioning in the room. The sensor is factory-calibrated; an environmental precision adjustment by an expert is possible.

RPTM 1
with cable gland



TECHNICAL DATA

RPTM 1 - I

Power supply:	15...36 V DC, depending on working resistance, residual ripple stabilised ± 0.3 V
Working resistance:	$R_b \text{ (Ohm)} = (U_b - 14 \text{ V}) / 0.02 \text{ A}$
Connection type:	2-wire connection
Output:	4...20 mA

RPTM 1 - A (AOS)

Power supply:	24 V AC / DC (± 10%)
Load resistance:	$R_L = 25...450 \text{ Ohm}$ with AOS I variant $R_L > 15 \text{ kOhm}$ with AOS U variant
Connection type:	3-wire connection
Output:	automatic 0-10 V / 4...20 mA (via Automatic Output Switching – the unit detects the required output type and automatically switches to U or I output.)

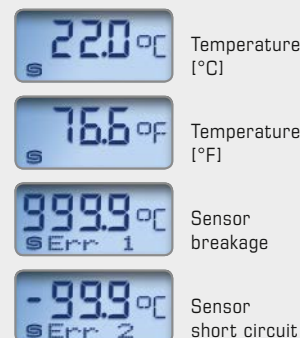
GENERAL

Power consumption:	< 1.0 VA / 24 V DC; < 2.2 VA / 24 V AC
System of units:	SI (default) or Imperial (switchable via DIP switch)
Data points:	Temperature [°C] [°F]
Measuring ranges:	multi-range switching with 8 measuring ranges , see table (other ranges optional) T_{min} -5 °C, T_{max} +60 °C, with manual zero point correction (± 10 K)
Sensor:	Pt1000, DIN EN 60751, class B
Deviation, temperature:	typically ± 0.2 K at +25 °C
Sensor protection:	plastic sinter filter, Ø 16 mm, L = 35 mm, exchangeable (optional metal sinter filter, Ø 16 mm, L = 32 mm)
Protective tube:	stainless steel V2A (1.4301), Ø=16 mm, NL = 142 mm
Sensor cable:	PVC, H03VV-F, 2 x 0.5 mm ² , KL = approx. 1.5 m (other lengths optional)
Housing:	plastic, UV-resistant, material polyamide, 30 % glass-globe reinforced, with quick-release screws (slotted / Phillips head combination), colour traffic white (similar to RAL 9016), cover for display is transparent!
Housing dimension:	72 x 64 x 37.8 mm (Tyr 1 without display) 72 x 64 x 43.3 mm (Tyr 1 with display)
Cable connection:	cable gland , plastic (M 16 x 1.5; with strain relief, exchangeable, max. inner diameter 10.4 mm) or M12 connector (male, 5-pin, A-code) according to DIN EN 61076-2-101
Electrical connection:	0.14 - 1.5 mm ² , via terminal screws
Ambient temperature:	measuring transducer -30...+70 °C
Permissible humidity:	< 95 % RH, non-precipitating air
Protection class:	III (according to EN 60 730)
Protection type:	IP65 (according to EN 60 529) Housing tested, TÜV SÜD, Report No.713139052 (Tyr 1)
Standards:	CE conformity, electromagnetic compatibility according to EN 61326, according to EMC directive 2014 / 30 / EU
Optional:	two-line display with illumination , cutout approx. 36 x 15 mm (W x H), for displaying the ACTUAL temperature and the internal diagnostics (sensor breakage, sensor short circuit)

ACCESSORIES

(see table)

Display and internal diagnostics
THERMASGARD®
Measuring transducer with display



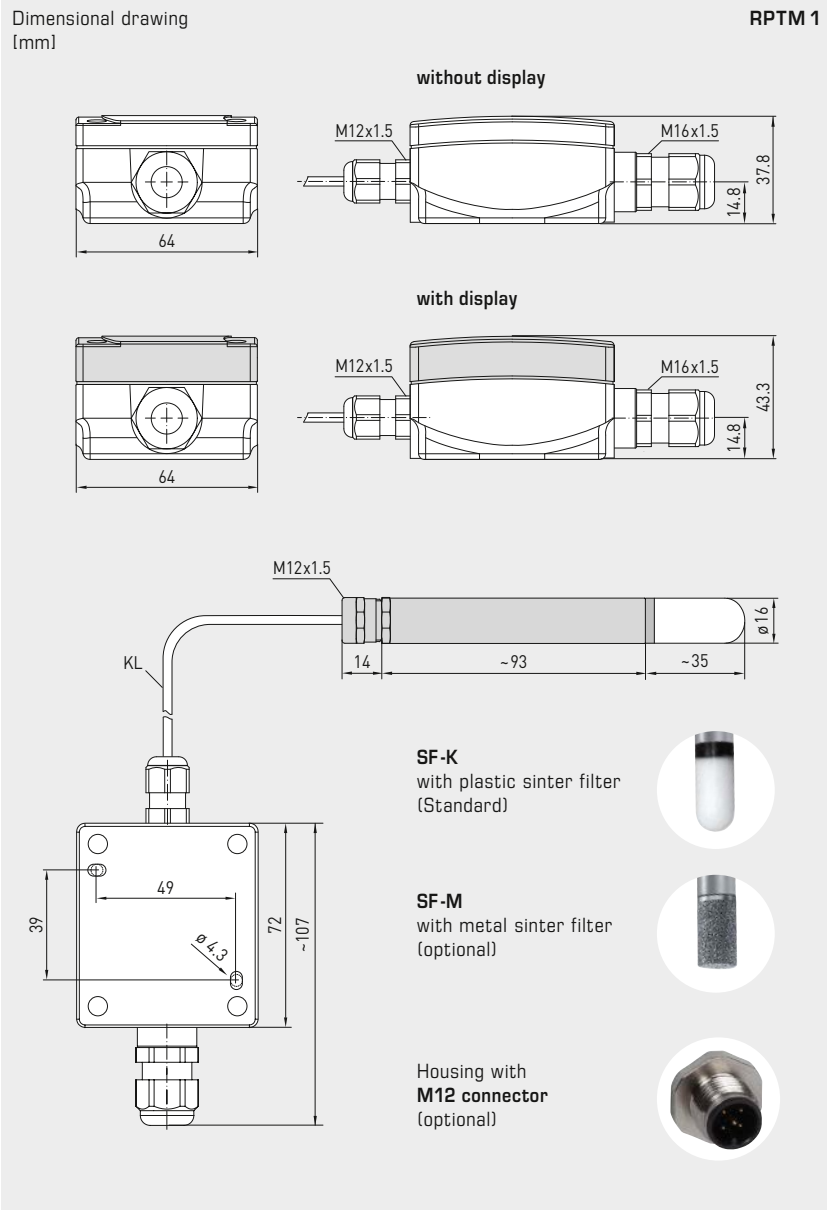


NEW

S+S REGELTECHNIK

THERMASGARD® RPTM 1

Pendulum room temperature measuring transducers, calibratable, with multi-range switching and active output (Automatic Output Switching)



RPTM 1
with cable gland
and display

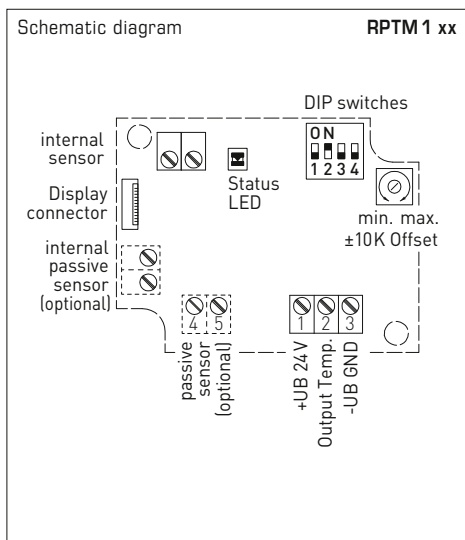


Automatic detection and switching to standard signal 0...10V or 4...20mA

AOS-PATENTED
AUTOMATIC OUTPUT SWITCHING



Pendulum room temperature measuring transducers, calibratable, with multi-range switching and active output (Automatic Output Switching)



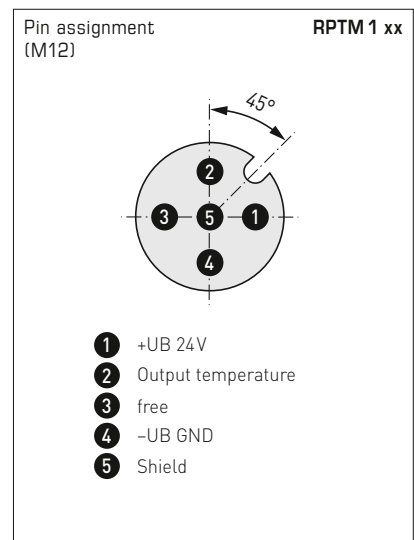
2-wire connection* RPTM 1 - I

- 1 +UB 24V DC
- 2 Output Temp. 4...20mA
- 3 -UB GND (optional for backlighting)

* 2-wire connection for devices with / without display (not illuminated)
3-wire connection for devices with illuminated display

3-wire connection (AOS) RPTM 1 - A

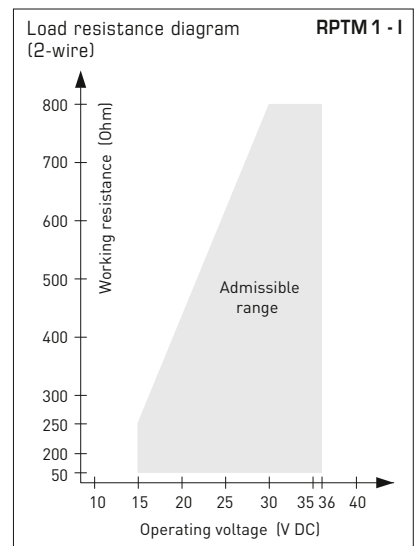
- 1 +UB 24V AC/DC
- 2 Output Temp. 0-10V / 4...20mA
- 3 -UB GND



Measuring ranges [°C] (adjustable)	DIP 1	DIP 2	DIP 3
-20...+ 150 °C	ON	ON	ON
-50... + 50 °C	OFF	ON	ON
-20... + 80 °C	ON	OFF	ON
-30... + 60 °C	OFF	OFF	ON
0... + 40 °C	ON	ON	OFF
0... + 50 °C (default)	OFF	ON	OFF
0... + 100 °C	ON	OFF	OFF
0... + 150 °C	OFF	OFF	OFF

Display (switchable)	DIP 4
Imperial [°F]	ON
SI (default) [°C]	OFF

Display
Temperature [°C] → [°F]
The display value depends on the set unit system (DIP4).



For further technical information, see the operating instructions



NEW

Pendulum room temperature measuring transducers, calibratable, with multi-range switching and active output (Automatic Output Switching)

RPTM 1-Q with M12 connector (on request)



RPTM 1 with cable gland

THERMASGARD® RPTM 1		Pendulum room temperature measuring transducer (with stainless steel sleeve)			
Type / WG01	Output	Type	Display	Item No.	Price
RPTM 1 - I (2-wire)					
RPTM1-I	4...20 mA	Remote sensor		1101-1162-0219-910	156,31 €
RPTM1-I LCD	4...20 mA	Remote sensor	■	1101-1162-2219-910	207,63 €
RPTM 1 - A (3-wire AOS)					
RPTM1-A	0-10 V / 4...20 mA	Remote sensor		1101-116E-0219-910	156,31 €
RPTM1-A LCD	0-10 V / 4...20 mA	Remote sensor	■	1101-116E-2219-910	207,63 €
Automatic Output Switching (AOS):	Patented analogue interface (patent no. DE 10 2015 015 941 B4) Unit automatically detects the required output type 0-10 V or 4...20 mA.				
Extra charge:	other measuring ranges optional 2-wire connecting leads, per running meter (PVC) Cable connection with M12 connector according to DIN EN 61076-2-101				26,16 € on request on request

ACCESSOIRES			
SF-M	Metal sinter filter, Ø 16 mm, L = 32 mm, exchangeable, stainless steel V4A (1.4404)	7000-0050-2200-100	43,60 €

Pendulum room temperature measuring transducers, calibratable, with multi-range switching and active output (Automatic Output Switching)

Patented quality product (patent no. DE 10 2015 015 941 B4)

Calibratable room pendulum temperature measuring transducer (with globe) **THERMASGARD® RPTM 2**, with eight switchable measuring ranges (max. -20...+150 °C), active output, cable sensor with a black plastic globe, housing made from impact-resistant plastic with quick-release screws, with cable gland or M12 connector according to DIN EN 61076-2-101, optionally with/without display. The standard display can be changed from SI [°C] to imperial [°F] units via DIP switch.

The measuring transducer converts the measured variables into a standard signal of 0- 10 V or 4...20 mA. The unit with **Automatic Output Switching** (AOS variant) detects the required output type and automatically switches to U or I output. Alternatively, a **type version** (2-wire I variant) with 2-wire connection and I output is available.

The pendulum sensor has been specially designed to detect the temperature in larger rooms or halls. The resistance thermometer (globe thermometer) achieves a very good, representative measurement result due to its positioning in the room. The dark radiation sensor determines the effective radiation heat at the measured location. This is relevant for calculating the thermal comfort (operative room temperature) taking into account the co-action of thermal radiation and thermal convection. The ratio of globe temperature / air temperature is approx. 70% / 30%. The sensor is factory-calibrated; an environmental precision adjustment by an expert is possible.

RPTM 2
with cable gland



TECHNICAL DATA

RPTM 2 - I

Power supply:	15...36 V DC, depending on working resistance, residual ripple stabilised ± 0.3 V
Working resistance:	$R_g \text{ (Ohm)} = (U_g - 14 \text{ V}) / 0.02 \text{ A}$
Connection type:	2-wire connection
Output:	4...20 mA

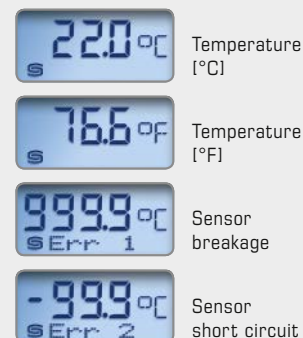
RPTM 2 - A (AOS)

Power supply:	24 V AC / DC (± 10%)
Load resistance:	$R_L = 25...450 \text{ Ohm}$ with AOS I variant $R_L > 15 \text{ kOhm}$ with AOS U variant
Connection type:	3-wire connection
Output:	automatic 0-10 V / 4...20 mA (via Automatic Output Switching – the unit detects the required output type and automatically switches to U or I output)

GENERAL

Power consumption:	< 1.0 VA / 24 V DC; < 2.2 VA / 24 V AC
System of units:	SI (default) or Imperial (switchable via DIP switch)
Data points:	Temperature [°C] [°F]
Measuring ranges:	multi-range switching with 8 measuring ranges , see table (other ranges optional) T_{min} -5 °C, T_{max} +60 °C, with manual zero point correction (± 10 K)
Sensor:	Pt1000, DIN EN 60751, class B
Deviation, temperature:	typically ± 0.2 K at +25 °C
Globe:	plastic, colour black, Ø = 50 mm
Sensor cable:	PVC, H03VV-F, 2 x 0.5 mm ² , KL = approx. 1.5 m (other lengths optional)
Housing:	plastic, UV-resistant, material polyamide, 30 % glass-globe reinforced, with quick-release screws (slotted/Phillips head combination), colour traffic white (similar to RAL 9016), cover for display is transparent!
Housing dimension:	72 x 64 x 37.8 mm (Tyr 1 without display) 72 x 64 x 43.3 mm (Tyr 1 with display)
Cable connection:	cable gland , plastic (M 16 x 1.5; with strain relief, exchangeable, max. inner diameter 10.4 mm) or M12 connector (male, 5-pin, A-code) according to DIN EN 61076-2-101
Electrical connection:	0.14 - 1.5 mm ² , via terminal screws
Ambient temperature:	measuring transducer -30...+70 °C
Permissible humidity:	< 95 % RH, non-precipitating air
Protection class:	III (according to EN 60 730)
Protection type:	IP65 (according to EN 60 529) Housing tested, TÜV SÜD, Report No.713139052 (Tyr 1)
Standards:	CE conformity, electromagnetic compatibility according to EN 61326, according to EMC directive 2014 / 30 / EU
Optional:	two-line display with illumination , cutout approx. 36x15 mm (W x H), for displaying the ACTUAL temperature and the internal diagnostics (sensor breakage, sensor short circuit)

Display and internal diagnostics
THERMASGARD®
Measuring transducer with display



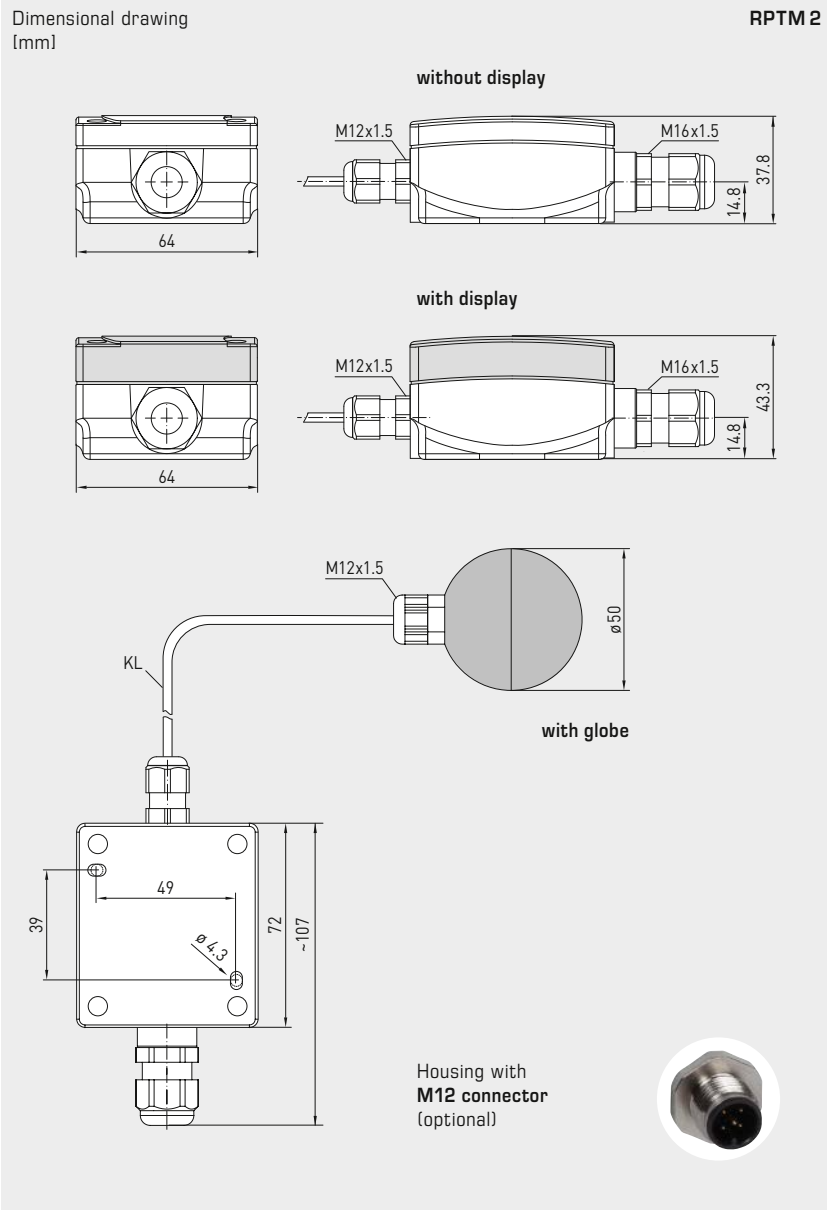


NEW

S+S REGELTECHNIK

THERMASGARD® RPTM 2

Pendulum room temperature measuring transducers, calibratable, with multi-range switching and active output (Automatic Output Switching)



RPTM 2 with cable gland and display

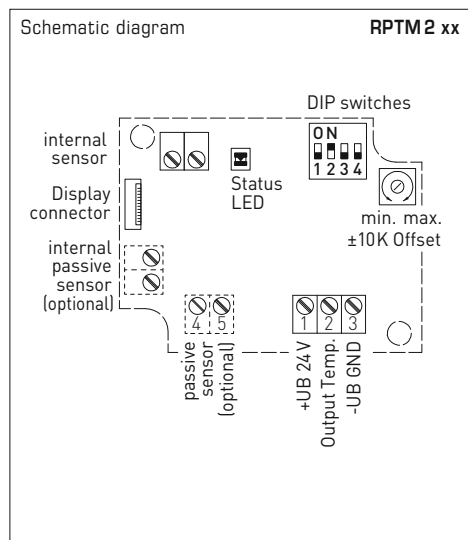


Automatic detection and switching to standard signal 0...10V or 4...20mA

AOS-PATENTED
AUTOMATIC OUTPUT SWITCHING



Pendulum room temperature measuring transducers, calibratable, with multi-range switching and active output (Automatic Output Switching)



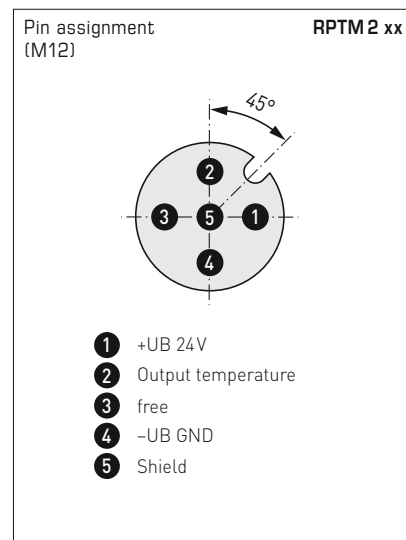
2-wire connection* RPTM 2 - I

- 1 +UB 24V DC
- 2 Output Temp. 4...20mA
- 3 -UB GND (optional for backlighting)

* 2-wire connection for devices with / without display (not illuminated)
3-wire connection for devices with illuminated display

3-wire connection (AOS) RPTM 2 - A

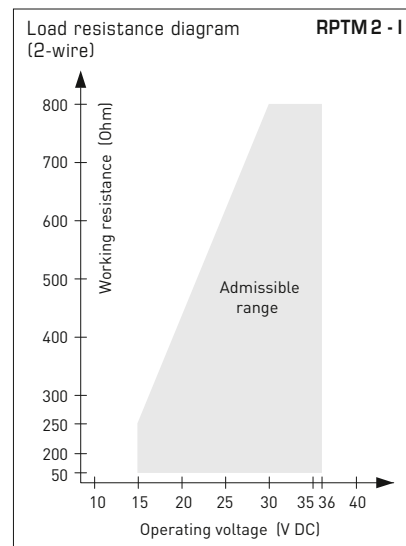
- 1 +UB 24V AC/DC
- 2 Output Temp. 0-10V / 4...20mA
- 3 -UB GND



Measuring ranges [°C] (adjustable)	DIP 1	DIP 2	DIP 3
-20...+ 150 °C	ON	ON	ON
-50... + 50 °C	OFF	ON	ON
-20... + 80 °C	ON	OFF	ON
-30... + 60 °C	OFF	OFF	ON
0... + 40 °C	ON	ON	OFF
0... + 50 °C (default)	OFF	ON	OFF
0... + 100 °C	ON	OFF	OFF
0... + 150 °C	OFF	OFF	OFF

Display (switchable)	DIP 4
Imperial [°F]	ON
SI (default) [°C]	OFF

Display Temperature [°C] → [°F]
The display value depends on the set unit system (DIP4).



For further technical information, see the operating instructions



NEW

Pendulum room temperature measuring transducers,
calibratable, with multi-range switching
and active output (Automatic Output Switching)

RPTM 2 - Q
with M12 connector
(on request)



RPTM 2
with cable gland

THERMASGARD® RPTM 2		Pendulum room temperature measuring transducers (with globe)			
Type / WG01	Output	Type	Display	Item No.	Price
RPTM 2 - I (2-wire)					
RPTM2-I	4...20 mA	Remote sensor		1101-1172-0219-910	157,34 €
RPTM2-I LCD	4...20 mA	Remote sensor	■	1101-1172-2219-910	208,67 €
RPTM 2 - A (3-wire AOS)					
RPTM2-A	0-10 V / 4...20 mA	Remote sensor		1101-117E-0219-910	157,34 €
RPTM2-A LCD	0-10 V / 4...20 mA	Remote sensor	■	1101-117E-2219-910	208,67 €
Automatic Output Switching (AOS):	Patented analogue interface (patent no. DE 10 2015 015 941 B4) Unit automatically detects the required output type 0-10 V or 4...20 mA.				
Extra charge:	other measuring ranges optional 2-wire connecting leads, per running meter (PVC) Cable connection with M12 connector according to DIN EN 61076-2-101				26,16 € on request on request





Temperature

THERMASREG® Temperature controllers – everything under control from hot to cold

Our temperature controllers and thermostats are known for their rugged, long-life and reliable measuring technology, widely field-proven in everyday use.

Well engineered and manufactured in customized versions, these devices have a perfect fit in high-end installations.

Application Areas

- Office and administration buildings
- Schools, hotels and public authorities
- Power plants and district heating plants
- Industrial buildings and production facilities
- Food industry
- Heating and ventilation systems





THERMASREG® TEMPERATURE CONTROLLERS, THERMOSTATS

Room temperature controllers

RTR-B	Room temperature controller	337
-------	-----------------------------	-----

Surface contact thermostats

ALTR060	Surface-contact thermostat	354
ALTR090	Surface-contact thermostat	354
ALTR1	Surface-contact thermostat	355
ALTR3	Surface-contact thermostat	355
ALTR5	Surface-contact thermostat	355
ALTR7	Surface-contact thermostat	355

Built-in controllers, duct controllers

ETR	Built-in temperature controller, one-step / two-step	345
KTR	Duct temperature controller, one-step / two-step	351
TRxx-F	Temperature controller with remote sensor	341
FST-K	Duct frost protection thermostat, mechanical, one-step, switching	363

Wet room temperature controllers

TR040	Temperature controller	338
TR060	Temperature controller	338
TR22	Temperature controller	339
TR04040	Temperature controller, two-step	340

Frost protection thermostats

FST	Frost protection thermostat, mechanical, one-step, switching	359
FST-K	Duct frost protection thermostat, mechanical, one-step, switching	363
FS-20	2-phase frost protection thermostat, with control and cascading input, two-step, switching	367

Immersion sleeves and accessories

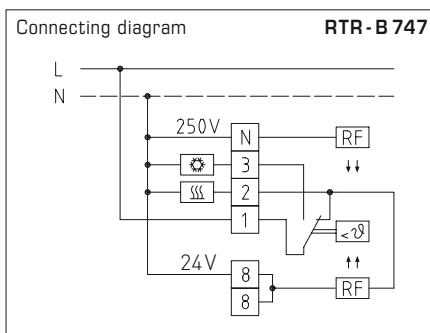
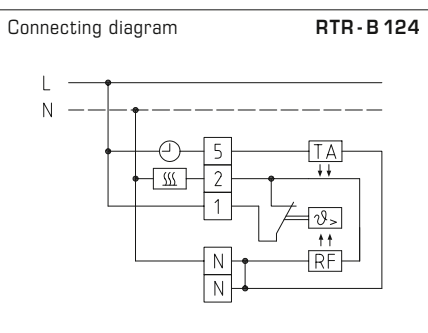
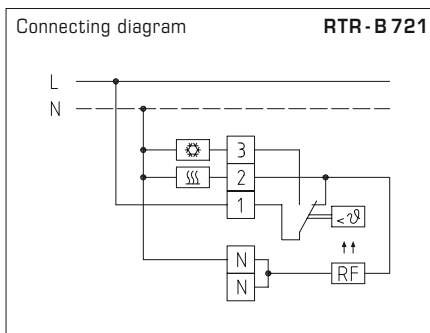
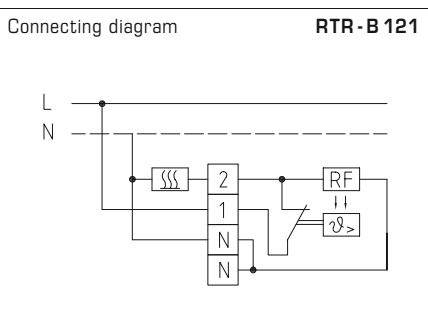
see chapter Accessories	638
-------------------------	-----

Room temperature controllers, mechanical, on-wall

One-step mechanical single room controller **THERMASREG® RTR-B** in bi-metal technology with thermal feedback for monitoring or controlling temperatures in dry rooms, or for activating any kind of heating system as room thermostat. For currentless open radiator valves, the cooling output from the changeover contact (normally open contact) must be connected. At breaker contacts, a maximum of 10 valve actuators can be connected and at normally open contacts a maximum of 5 valve actuators.

TECHNICAL DATA

Switching capacity: (Contact load)	230 V AC, 50-60 Hz heating: 10 mA...10 (4) A, DC 30 W cooling: 10 mA...5 (2) A
Sensor element:	bi-metal
Control range:	+5...+30 °C
Output:	breaker or changeover contact
Operating difference:	approx. 0.5 K
Housing:	plastic, material ABS, colour pure white (similar to RAL 9010)
Dimensions:	75 x 75 x 25 mm (E1)
Electrical connection:	0.14-2.5 mm ² via terminal screws
Installation:	wall mounting or on in-wall flush box Ø55 mm, base with 4-hole for mounting on vertically or horizontally installed in-wall flush boxes for cable entry from the back, with predetermined breaking point for on-wall cable entry from top/bottom in case of plain on-wall installation
Protection class:	II (according to EN 60 730)
Protection type:	IP 30 (according to EN 60 529)
Standards:	CE conformity, EMC directive 2014 / 30 / EU, low-voltage directive 2014 / 35 / EU

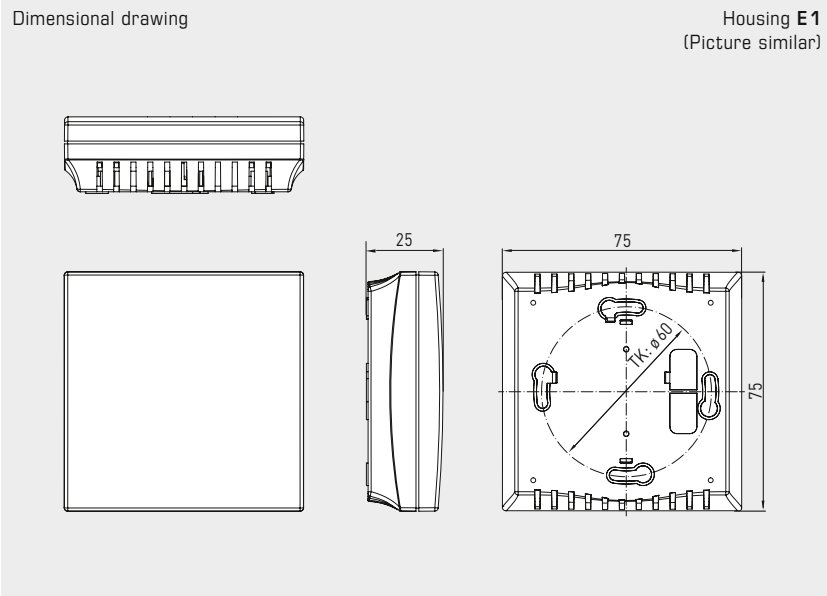




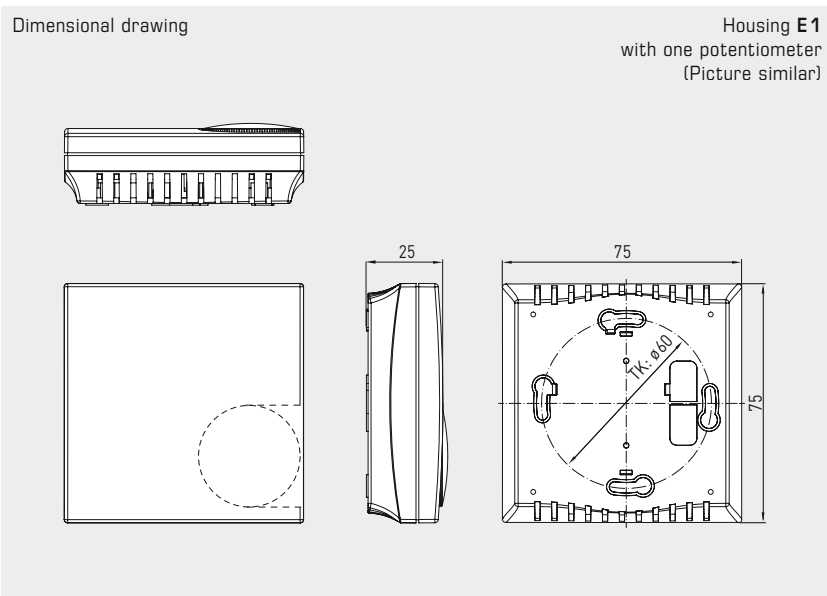
S+S REGELTECHNIK

THERMASREG® RTR-B

Room temperature controllers, mechanical, on-wall



RTR-B 747
with internal setting



RTR-B 121
RTR-B 124
RTR-B 721
with external setting



THERMASREG® RTR-B Room temperature controllers

Type / WG01	Temperature Range	Function	Output	Item No.	Price
RTR-B 121 / B 124 / B 721				External setting	
RTR-B 121	+5...+30 °C	Heating	Breaker	1102-4011-2100-000	38,92 €
RTR-B 124	+5...+30 °C	Heating, temperature reduction -5 K	Breaker	1102-4011-2400-000	41,14 €
RTR-B 721	+5...+30 °C	Heating, cooling	Changeover contact	1102-4017-2100-000	42,84 €
RTR-B 747				Internal setting	
RTR-B 747	+5...+30 °C	Heating, cooling	Changeover contact	1102-4017-4700-000	46,73 €



**Temperature controllers, one-step,
with switching output**

Mechanical temperature controllers/wet room temperature controllers **THERMASREG® TR 040 / TR 060** with switching output (one-step) and stainless steel capillary (spiral coil sensor), working without external voltage. They are used for monitoring and controlling temperatures in heat generation plants, in heating, ventilation and air conditioning systems, for ventilation, cooling and climate control in halls, cold storage rooms, greenhouses, nurseries, stables, breeding rooms, as industrial room thermostat or surface-mounted thermostat in industrial applications as well as in wet room and outdoor areas.

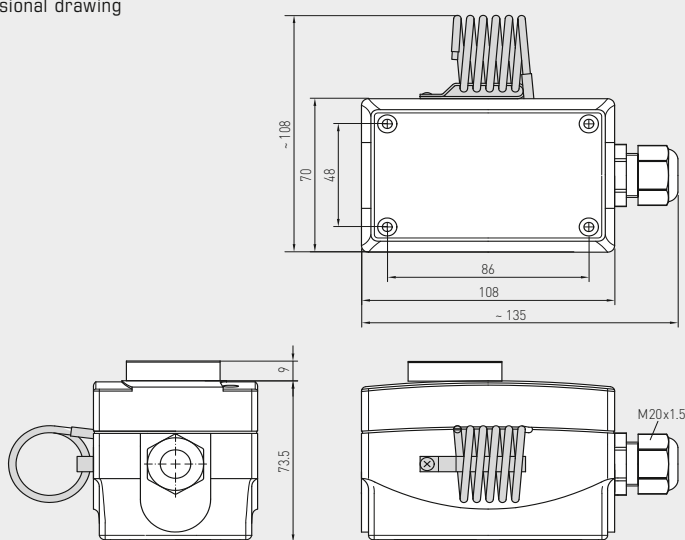
TECHNICAL DATA

Switching capacity: (Contact load)	24...250V AC +10%, 16A, cos φ = 1.0 24...250V AC +10%, 1.5A, cos φ = 0.6 at 24V AC min. 150mA
Contact:	dust-proof switch block unit as potential-free, single-pole or two-pole changeover contact
Housing:	plastic, UV-resistant, material polyamide, 30% glass-globe reinforced, colour traffic white (similar to RAL 9016)
Housing dimensions:	108 x 70 x 73.5 mm (Thor 2)
Cable gland:	M20 x 1.5; including strain relief
Housing temperature:	-35...+65 °C
Capillary:	stainless steel V2A (1.4303)
Tolerance:	T _{min} ± 3K; T _{max} ± 3K; at +20°C ± 1K
Electrical connection:	0.14 - 2.5 mm ² via terminal screws
Routing:	admissible vibration load ≤ ½g
Protection class:	I (according to EN 60 730)
Protection type:	IP 65 (according to EN 60 529)
Standards:	CE conformity, EMC directive 2014 / 30 / EU, low-voltage directive 2014 / 35 / EU

FUNCTION

- Heating:** The preset setpoint (scale value) is equivalent to the switch-off value of the heating. The switch-on value is lower by the amount of operating difference. Contact 2-3 breaks when temperature rises to the preset value.
- Cooling:** The preset setpoint (scale value) is equivalent to the switch-on value of the cooling. The switch-off value is lower by the amount of operating difference. Contact 1-2 closes when temperature rises to the preset value.

Dimensional drawing



TR 040
TR 060

TR 040
TR 060
(one-step)
TR

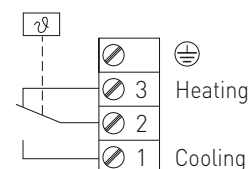


TR 040 U
TR 060 U
(one-step)
TW



Connecting diagram

TR 040
TR 060



THERMASREG® TR 040 / TR 060 Temperature controllers, one-step

Type / WG01	Temperature Range	Thermal Operating Difference (fixed) approx.	Max. Capillary Temperature	Item No.	Price
TR 040 / 060					TR (External setting)
TR-040	0...+40 °C	2K	+65 °C	1102-1050-1100-200	81,11 €
TR-060	0...+60 °C	2K	+75 °C	1102-1050-1100-300	81,11 €
TR 040 U / 060 U					TW (Internal setting)
TR-040 U	0...+40 °C	2K	+65 °C	1102-1050-2100-200	79,80 €
TR-060 U	0...+60 °C	2K	+75 °C	1102-1050-2100-300	79,80 €

Mechanical temperature controller / wet room temperature controller **THERMASREG® TR 22** with switching output (one-step) and copper capillary, working without external voltage. It is used for monitoring and controlling temperatures in heat generation plants, in heating, ventilation and air conditioning systems, for ventilation, cooling and climate control in halls, cold storage rooms, greenhouses, nurseries, stables, breeding rooms, as industrial room thermostat or surface-mounted thermostat in industrial applications as well as in wet room and outdoor areas.

TR 22
(one-step)
TR

TECHNICAL DATA

Switching capacity: (Contact load)	24...250V AC +10%, 16A, cos φ = 1.0 24...250V AC +10%, 1.5A, cos φ = 0.6 at 24V AC min. 150 mA
Contact:	dust-proof switch block unit as potential-free single-pole changeover contact
Housing:	plastic, UV-resistant, material polyamide, 30% glass-globe reinforced, colour traffic white (similar to RAL 9016)
Housing dimensions:	108 x 70 x 73.5 mm (Thor 2)
Cable gland:	M20 x 1.5; including strain relief
Housing temperature:	-35...+65 °C
Design principle:	torsion meter with liquid filling
Capillary:	copper
Tolerance:	T _{min} ± 3K; T _{max} ± 3K
Routing:	admissible vibration load ≤ ½g
Electrical connection:	0.14 - 2.5 mm ² via terminal screws
Protection class:	I (according to EN 60 730)
Protection type:	IP 65 (according to EN 60 529)
Standards:	CE conformity, EMC directive 2014 / 30 / EU, low-voltage directive 2014 / 35 / EU

FUNCTION

Heating: The preset setpoint (scale value) is equivalent to the switch-off value of the heating.
The switch-on value is lower by the amount of operating difference.
Contact 2 - 3 breaks when temperature rises to the preset value.

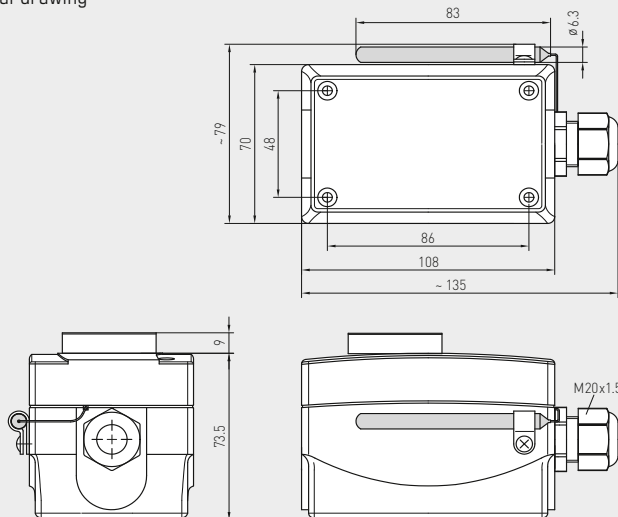
Cooling: The preset setpoint (scale value) is equivalent to the switch-on value of the cooling.
The switch-off value is lower by the amount of operating difference.
Contact 1 - 2 closes when temperature rises to the preset value.



TR 22 U
(one-step)
TW



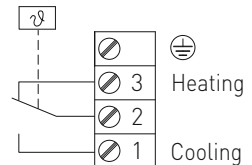
Dimensional drawing



TR 22

Connecting diagram

TR 22



THERMASREG® TR 22 Temperature controllers, one-step

Type / WG01	Temperature Range	Thermal Operating Difference (fixed) approx.	Max. Capillary Temperature	Item No.	Price
TR 22				TR (External setting)	
TR-22	-35...+35 °C	3K (± 1K)	+60 °C	1102-1050-1100-100	81,11 €
TR 22 U				TW (Internal setting)	
TR-22 U	-35...+35 °C	3K (± 1K)	+60 °C	1102-1050-2100-100	79,80 €

**Temperature controllers, two-step,
with switching output**

Mechanical temperature controller/wet room temperature controller **THERMASREG® TR 04040** with two independently switching outputs, which are separately adjustable (e.g. for switching between day and night time) and stainless steel capillary (spiral coil sensor), working without external voltage. It is used for monitoring and controlling temperatures in heat generation plants, in heating, ventilation and air conditioning systems, for ventilation, cooling and climate control in halls, cold storage rooms, greenhouses, nurseries, stables, breeding rooms, as industrial room thermostat or surface-mounted thermostat in industrial applications as well as in wet room and outdoor areas.

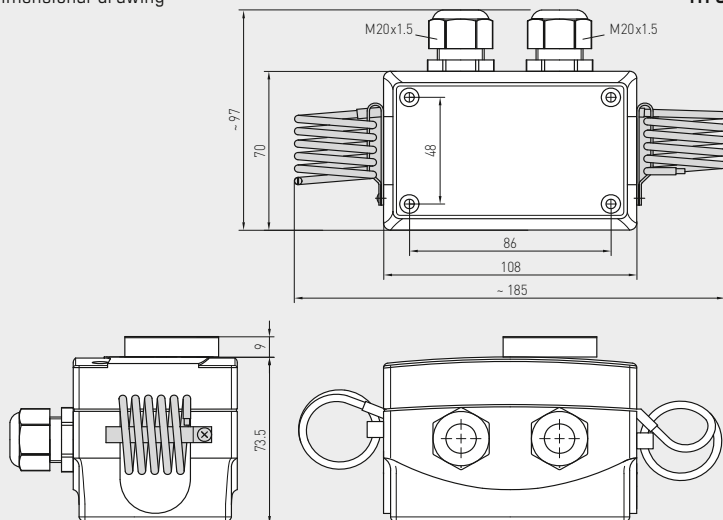
TECHNICAL DATA

Switching capacity:	24...250V AC +10%, 16A, cos φ = 1.0 (Contact load) 24...250V AC +10%, 1.5A, cos φ = 0.6 at 24V AC min. 150mA
Contact:	dust-proof switch block unit as potential-free single-pole changeover contact (two changeover contacts, separately adjustable)
Housing:	plastic, UV-resistant, material polyamide, 30% glass-globe reinforced, colour traffic white (similar to RAL 9016)
Housing dimensions:	108 x 70 x 73.5 mm (Thor 2)
Cable gland:	2x M20 x 1.5; including strain relief
Housing temperature:	-10...+65 °C
Capillary:	stainless steel V2A (1.4303)
Tolerance:	T _{min} ± 3K; T _{max} ± 3K; at +20 °C ± 1K
Electrical connection:	0.14 - 2.5 mm ² via terminal screws
Routing:	admissible vibration load ≤ ½g
Protection class:	I (according to EN 60 730)
Protection type:	IP 65 (according to EN 60 529)
Standards:	CE conformity, EMC directive 2014 / 30 / EU, low-voltage directive 2014 / 35 / EU

FUNCTION

Heating: Contacts 2-3 and 5-6 break when temperature rises to the preset value.
Cooling: Contacts 2-1 and 5-4 break when temperature drops to the preset value.

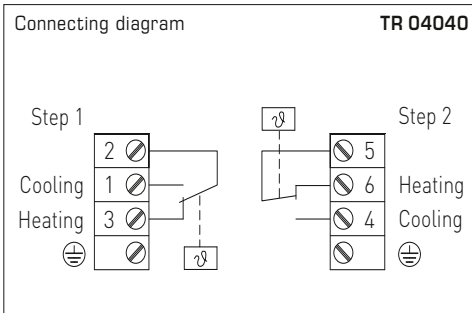
Dimensional drawing **TR 04040**



TR 04040



TR 04040 U



THERMASREG® TR 04040 Temperature controllers, two-step

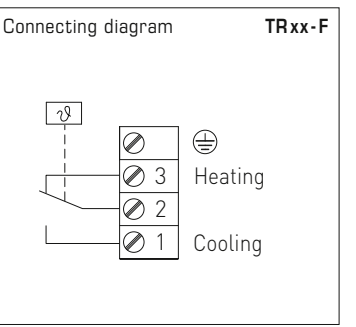
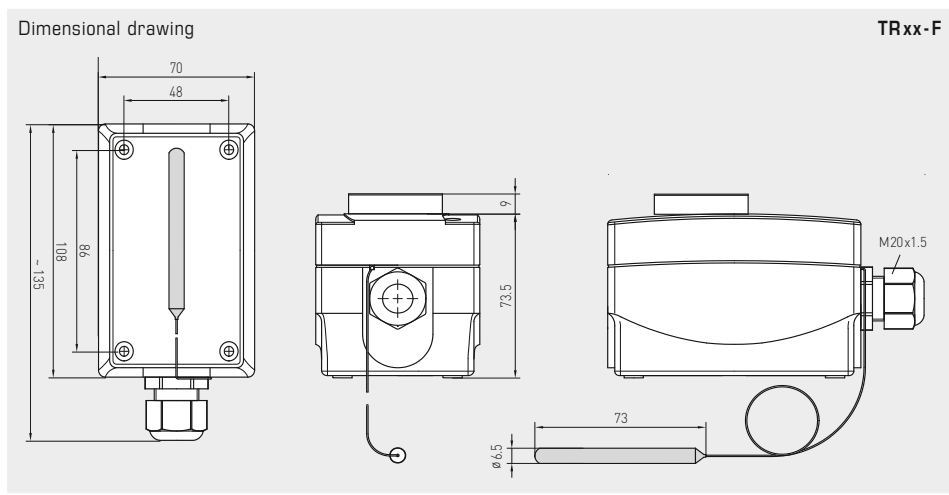
Type / WG01	Temperature Range (adjustable)		Thermal Operating Difference (fixed) approx.		Max. Capillary Temperature	Item No.	Price
	1.	2.	1.	2.			
TR 04040						TR + TW (External/Internal setting)	
TR-04040	0...+40 °C	0...+40 °C	2K	2K	+65 °C	1102-1050-1200-200	119,32 €
TR 04040 U						TW + TW (Internal setting)	
TR-04040 U	0...+40 °C	0...+40 °C	2K	2K	+65 °C	1102-1050-2200-200	119,32 €



Mechanical temperature controller THERMASREG® TR xx - F with remote sensor and switching output (one-step), working as capillary thermostat / capillary controller without external voltage. This capillary controller is used for monitoring and to control temperatures of non-aggressive liquid or gaseous media in heating, ventilation and air conditioning technology as well as in mechanical and apparatus engineering, for installation in immersion sleeves or air conditioning ducts.

TECHNICAL DATA	
Switching capacity: (Contact load)	24...250 V AC +10%, 16 A, cos φ = 1.0 24...250 V AC +10%, 1.5 A, cos φ = 0.6 at 24 V AC min. 150 mA
Contact:	dust-proof switch block unit as potential-free single-pole changeover contact
Housing:	plastic, UV-resistant, material polyamide, 30% glass-globe reinforced, colour traffic white (similar to RAL 9016)
Housing dimensions:	108 x 70 x 73.5 mm (Thor 2)
Cable gland:	M20 x 1.5; including strain relief
Housing temperature:	-10...+65 °C
Design principle:	torsion meter with liquid filling
Sensor:	copper tube, length of capillary = 1 m with PVC protective hose, Ø 6.8 mm
Tolerance:	T _{min} ± 3 K; T _{max} ± 3 K
Inserted length:	immersion sleeves EL = 150 mm (accessories see table)
Routing:	bending radius > 35mm admissible vibration load ≤ ½g admissible tensile load < 100N
Electrical connection:	0.14 - 2.5 mm² via terminal screws
Protection class:	I (according to EN 60 730)
Protection type:	IP 65 (according to EN 60 529)
Standards:	CE conformity, EMC directive 2014 / 30 / EU, low-voltage directive 2014 / 35 / EU

FUNCTION
Heating: wire contacts 2 - 3
Cooling: wire contacts 2 - 1



THERMASREG® TR xx - F Temperature controllers, one-step					
Type / WG01	Temperature Range	Thermal Operating Difference (fixed) approx.	Max. Capillary Temperature	Item No.	Price
				TR (External setting)	
TRxx-F					
TR-1-F	-35... +35 °C	3 K (± 1 K)	+60 °C	1102-1056-1110-100	82,20 €
TR-060-F	0... +60 °C	3 K (± 1 K)	+75 °C	1102-1050-1110-300	82,20 €
TR-090-F	0... +90 °C	3 K (± 1 K)	+120 °C	1102-1050-1110-400	82,20 €
TR-0120-F	0...+120 °C	5 K (± 1 K)	+135 °C	1102-1050-1110-500	82,20 €
TR-50140-F	+50...+140 °C	5 K (± 1 K)	+150 °C	1102-1050-1110-600	82,20 €
Extra charge:	U = Internal setting (TW), e.g. TR-090-F-U				10,25 €
ACCESSORIES					
THR-MS-08/150	Brass immersion sleeve, EL = 150 mm, Ø 8 x 0.5 mm			7100-0011-3404-000	16,02 €
THR-VA-09/150	Stainless steel immersion sleeve V2A (1.4301), EL = 150 mm, Ø 9 x 1.0 mm			7100-0012-3032-000	42,22 €

For further information, see the last chapter!

Equipment sensor/controller, including immersion sleeve,
EC type-tested, TÜV tested,
with switching output

DIN-tested German quality product. Temperature control and limiting device for heat generation plants in accordance with DIN EN 14597. Safety temperature limiter (STB) with EC type test (module B) according to directive 2014/68/EU.

Mechanical temperature control device/rod thermostat THERMASREG® ETR with switching output, used for monitoring, controlling or limiting the temperatures of liquid or gaseous media as a boiler controller or in heating, air conditioning technology as well as in mechanical and apparatus engineering and in heat generation plants. It is available as one-step or two-step device, as adjustable temperature controller TR, temperature monitor TW, or as safety temperature limiter STB.



TECHNICAL DATA

Switching capacity: (Contact load)	24 ... 250 V AC + 10 %, 10 A, cos φ = 1.0 24 ... 250 V AC + 10 %, 1.5 A, cos φ = 0.6 at 24 V AC min. 150 mA
Contact:	dust-proof switch block unit as potential-free single-pole or two-pole changeover contact
Housing:	plastic, UV-resistant, material polyamide, 30% glass-globe reinforced, colour traffic white (similar to RAL 9016)
Housing dimensions:	108 x 70 x 73.5 mm (Thor2)
Cable gland:	M20 x 1.5; including strain relief
Measuring element:	torsion meter with liquid filling, liquid expansion temperature feeler
Mounting position:	arbitrary
Ambient temperature:	-10...+65 °C at the switch block housing
Tolerance:	T _{min} ± 5 K; T _{max} ± 3 K
Immersion sleeves:	THR-ms-08/xx , Single sleeve brass, nickel-plated, Ø = 8 mm, R ½" straight pipe thread, wrench size 22, p _{max} = 10 bar, T _{max} = +150 °C THR-VA-09/xx , Single sleeve stainless steel V4A (1.4571), Ø = 9 mm, G ½" straight pipe thread, wrench size 22, p _{max} = 25 bar, T _{max} = +150 °C THR-VA-17/xx , Double sleeve stainless steel V4A (1.4571), Ø = 17 mm, G ½" straight pipe thread, wrench size 22, p _{max} = 25 bar, T _{max} = +150 °C (Depending on the type, the relevant immersion sleeve is included in the scope of delivery, see table)
Operating medium:	Water, oil, air and exhaust gas
Inserted length:	100 mm / 150 mm / 200 mm (see table)
Process connection:	screwed socket
Electrical connection:	0.14 - 2.5 mm ² via terminal screws
Protection class:	I (according to EN 60 730)
Protection type:	IP 65 (according to EN 60 529)
Standards:	CE conformity, EMC directive 2014/30/EU, low-voltage directive 2014/35/EU
Tests:	EC type test (module B) according to directive 2014/68/EU , certificate No.: IS-TAF-MUC 18 03 2652130 002, DIN EN 14597, register Nos.: STB 1201, TR/STB 1202
FUNCTION	TW, TR: Contact 2-3 breaks when temperature rises to the preset value. STB: Contact 2-1 or 5-4 (two-step) breaks when temperature rises to the preset value. Restart is possible only after cooling off by approx. 15 K - 20 K by pressing the reset button.





Configuration variants:

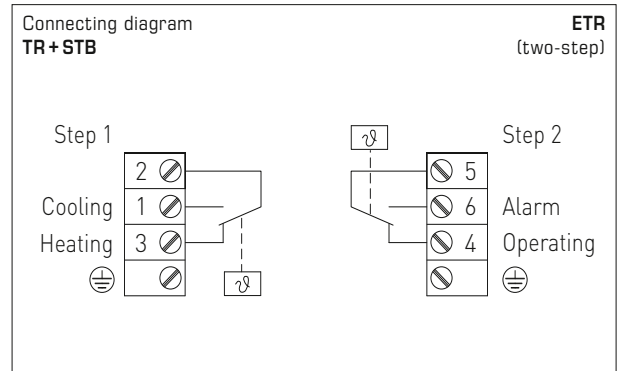
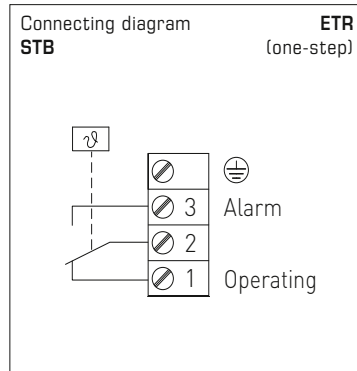
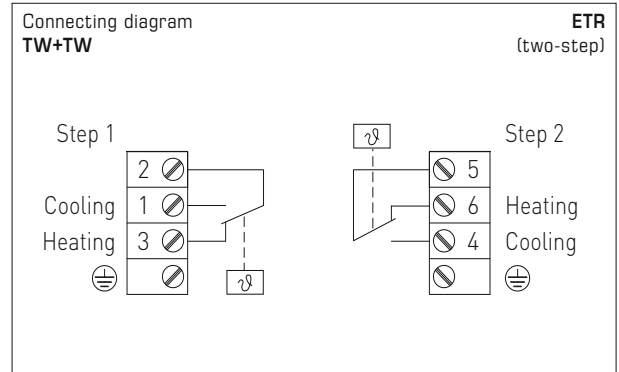
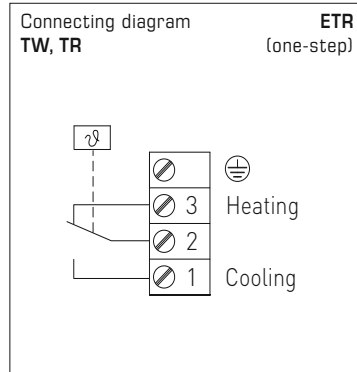
TW
Temperature monitor
(internal setting)

TR
Temperature controller
(external setting)

STB
Safety temperature limiter
(internal setting)

TW+TW
Double temperature monitor
(internal setting)

TR+STB
Temperature controller
(external setting) +
Safety temperature limiter
(internal setting)

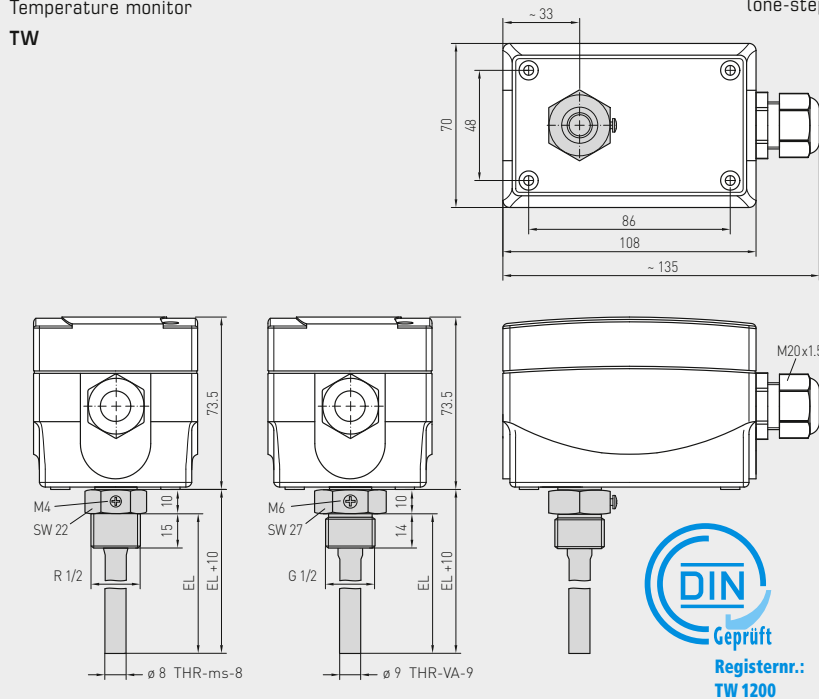


CERTIFICATE ZERTIFIKAT
valid until: 25.02.2028
gültig bis: 25.02.2028
EU Type examination (module B) - production type - according to Directive 2014/68/EU
Certificate No.: Z-IS-TAF-MUC-18-03-2652130-002
Name and address of manufacturer: S+S Regeltechnik GmbH
Evaluation report No.: C-T 1382-01/18 dated 2018-02-26
Scope of examination: Safety temperature limiter as safety accessory
Manufacturing plant: S+S Regeltechnik GmbH
München, 26.02.2018
TÜV SÜD Industrie Service GmbH
Certification Body for pressure equipment

page 3 of certificate no. IS-TAF-MUC-18-03-2652130-002
Replaces certificate dated IS-TAF-MUC 08 02 100248356 001
Basis of examination: VDTÜV-Merkblatt Temperatur 100:2017-03
DIN EN 14597 :2015-01
Essential safety requirements of Directive 2014/68/EU
Type code
Type Code Technical data
ETR-R6585 STB Range: from 65 °C to 85 °C
ETR-R90110 STB Range: from 90 °C to 110 °C
KTR-R6585 STB Same function as ETR R6585, with the following difference: The tube is not closed to the medium.
KTR-R90110 STB Same function as ETR R90110, with the following difference: The tube is not closed to the medium.
The conditions listed below have to be considered:
1 To keep the specified response time the types ETR... shall be used with the provided tube and thermal conducting paste
2 Possible risks caused by external fire or by traffic, wind and earthquake loading shall be examined separately depending from the installation situation of the pressure equipment

Dimensional drawing
Temperature monitor
TW

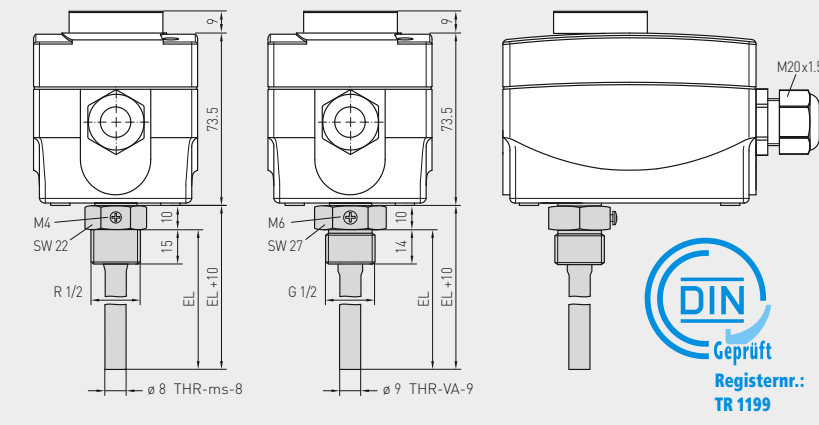
ETR-xx U
(one-step)



ETR-060 U
ETR-090 U
(one-step)
TW

Dimensional drawing
Temperature controller
TR

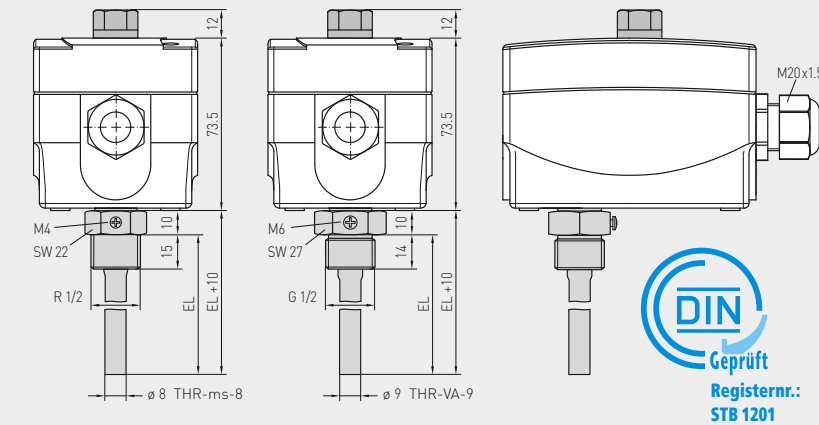
ETR-xx
(one-step)



ETR-1
ETR-060
ETR-090
ETR-0120
ETR-50140
(one-step)
TR

Dimensional drawing
Safety temperature limiter
STB

ETR-Rxx
(one-step)



ETR-R6585
ETR-R90110
(one-step)
STB
selectable



S+S REGELTECHNIK

THERMASREG® ETR

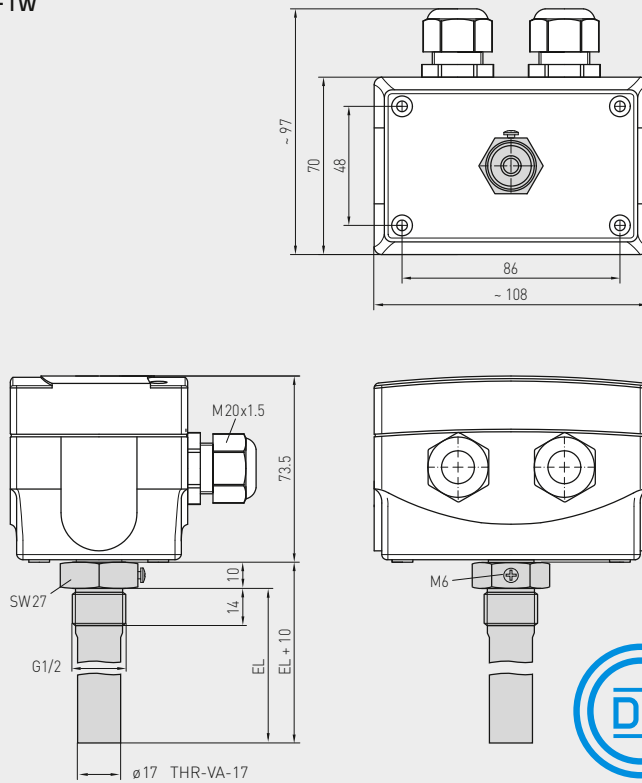
one-step

Equipment sensor / controller, including immersion sleeve,
EC type-tested, TÜV tested,
with switching output

THERMASREG® ETR Equipment sensor / controller, one-step, including immersion sleeve						
Type / WG02	Inserted Length (EL)	Temperature Ranges (adjustable)	Thermal Operating Difference (fixed) approx.	Maximum Capillary Temp.	Item No.	Price
ETR-060 U						TW
ETR-060 U MS/100	100 mm	0...+60 °C	3K	+75 °C	1102-2010-2100-380	72,95 €
ETR-060 U MS/150	150 mm	0...+60 °C	3K	+75 °C	1102-2010-2100-310	75,41 €
ETR-060 U MS/200	200 mm	0...+60 °C	3K	+75 °C	1102-2010-2100-320	79,72 €
ETR-060 U VA/100	100 mm	0...+60 °C	3K	+75 °C	1102-2010-2100-390	101,41 €
ETR-060 U VA/150	150 mm	0...+60 °C	3K	+75 °C	1102-2010-2100-330	103,84 €
ETR-060 U VA/200	200 mm	0...+60 °C	3K	+75 °C	1102-2010-2100-340	108,18 €
ETR-090 U						TW
ETR-090 U MS/100	100 mm	0...+90 °C	3K	+120 °C	1102-2010-2100-480	72,95 €
ETR-090 U MS/150	150 mm	0...+90 °C	3K	+120 °C	1102-2010-2100-410	75,41 €
ETR-090 U MS/200	200 mm	0...+90 °C	3K	+120 °C	1102-2010-2100-420	79,72 €
ETR-090 U VA/100	100 mm	0...+90 °C	3K	+120 °C	1102-2010-2100-490	101,41 €
ETR-090 U VA/150	150 mm	0...+90 °C	3K	+120 °C	1102-2010-2100-430	103,84 €
ETR-090 U VA/200	200 mm	0...+90 °C	3K	+120 °C	1102-2010-2100-440	108,18 €
ETR-1						TR
ETR-1 MS/100	100 mm	-35...+35 °C	3K	+75 °C	1102-2010-1100-180	72,95 €
ETR-1 MS/150	150 mm	-35...+35 °C	3K	+75 °C	1102-2010-1100-110	75,41 €
ETR-1 MS/200	200 mm	-35...+35 °C	3K	+75 °C	1102-2010-1100-120	79,72 €
ETR-1 VA/100	100 mm	-35...+35 °C	3K	+75 °C	1102-2010-1100-190	101,41 €
ETR-1 VA/150	150 mm	-35...+35 °C	3K	+75 °C	1102-2010-1100-130	103,84 €
ETR-1 VA/200	200 mm	-35...+35 °C	3K	+75 °C	1102-2010-1100-140	108,18 €
ETR-060						TR
ETR-060 MS/100	100 mm	0...+60 °C	3K	+75 °C	1102-2010-1100-380	72,95 €
ETR-060 MS/150	150 mm	0...+60 °C	3K	+75 °C	1102-2010-1100-310	75,41 €
ETR-060 MS/200	200 mm	0...+60 °C	3K	+75 °C	1102-2010-1100-320	79,72 €
ETR-060 VA/100	100 mm	0...+60 °C	3K	+75 °C	1102-2010-1100-390	101,41 €
ETR-060 VA/150	150 mm	0...+60 °C	3K	+75 °C	1102-2010-1100-330	103,84 €
ETR-060 VA/200	200 mm	0...+60 °C	3K	+75 °C	1102-2010-1100-340	108,18 €
ETR-090						TR
ETR-090 MS/100	100 mm	0...+90 °C	3K	+120 °C	1102-2010-1100-480	72,95 €
ETR-090 MS/150	150 mm	0...+90 °C	3K	+120 °C	1102-2010-1100-410	75,41 €
ETR-090 MS/200	200 mm	0...+90 °C	3K	+120 °C	1102-2010-1100-420	79,72 €
ETR-090 VA/100	100 mm	0...+90 °C	3K	+120 °C	1102-2010-1100-490	101,41 €
ETR-090 VA/150	150 mm	0...+90 °C	3K	+120 °C	1102-2010-1100-430	103,84 €
ETR-090 VA/200	200 mm	0...+90 °C	3K	+120 °C	1102-2010-1100-440	108,18 €
ETR-0120						TR
ETR-0120 MS/100	100 mm	0...+120 °C	5K	+135 °C	1102-2010-1100-580	72,95 €
ETR-0120 MS/150	150 mm	0...+120 °C	5K	+135 °C	1102-2010-1100-510	75,41 €
ETR-0120 MS/200	200 mm	0...+120 °C	5K	+135 °C	1102-2010-1100-520	79,72 €
ETR-0120 VA/100	100 mm	0...+120 °C	5K	+135 °C	1102-2010-1100-590	101,41 €
ETR-0120 VA/150	150 mm	0...+120 °C	5K	+135 °C	1102-2010-1100-530	103,84 €
ETR-0120 VA/200	200 mm	0...+120 °C	5K	+135 °C	1102-2010-1100-540	108,18 €
ETR-50140						TR
ETR-50140 MS/100	100 mm	+50...+140 °C	5K	+150 °C	1102-2010-1100-680	72,95 €
ETR-50140 MS/150	150 mm	+50...+140 °C	5K	+150 °C	1102-2010-1100-610	75,41 €
ETR-50140 MS/200	200 mm	+50...+140 °C	5K	+150 °C	1102-2010-1100-620	79,72 €
ETR-50140 VA/100	100 mm	+50...+140 °C	5K	+150 °C	1102-2010-1100-690	101,41 €
ETR-50140 VA/150	150 mm	+50...+140 °C	5K	+150 °C	1102-2010-1100-630	103,84 €
ETR-50140 VA/200	200 mm	+50...+140 °C	5K	+150 °C	1102-2010-1100-640	108,18 €
ETR-R6585						STB
ETR-R6585 MS/100	100 mm	+65...+85 °C	+0 / -15...20 K	+120 °C	1102-2010-6100-780	87,91 €
ETR-R6585 MS/150	150 mm	+65...+85 °C	+0 / -15...20 K	+120 °C	1102-2010-6100-710	90,36 €
ETR-R6585 MS/200	200 mm	+65...+85 °C	+0 / -15...20 K	+120 °C	1102-2010-6100-720	98,61 €
ETR-R6585 VA/100	100 mm	+65...+85 °C	+0 / -15...20 K	+120 °C	1102-2010-6100-790	106,51 €
ETR-R6585 VA/150	150 mm	+65...+85 °C	+0 / -15...20 K	+120 °C	1102-2010-6100-730	108,95 €
ETR-R6585 VA/200	200 mm	+65...+85 °C	+0 / -15...20 K	+120 °C	1102-2010-6100-740	113,42 €
ETR-R90110						STB
ETR-R90110 MS/100	100 mm	+90...+110 °C	+0 / -15...20 K	+120 °C	1102-2010-6100-880	87,91 €
ETR-R90110 MS/150	150 mm	+90...+110 °C	+0 / -15...20 K	+120 °C	1102-2010-6100-810	90,36 €
ETR-R90110 MS/200	200 mm	+90...+110 °C	+0 / -15...20 K	+120 °C	1102-2010-6100-820	98,61 €
ETR-R90110 VA/100	100 mm	+90...+110 °C	+0 / -15...20 K	+120 °C	1102-2010-6100-890	106,51 €
ETR-R90110 VA/150	150 mm	+90...+110 °C	+0 / -15...20 K	+120 °C	1102-2010-6100-830	108,95 €
ETR-R90110 VA/200	200 mm	+90...+110 °C	+0 / -15...20 K	+120 °C	1102-2010-6100-840	113,42 €
Type designation:	ETR-xx_immersion sleeve material / inserted length (mm) MS = Brass nickel-plated, VA = Stainless steel V4A (1.4571) For further information and accessories see next page...					

Dimensional drawing
Double temperature monitor
TW + TW

ETR-xx U
(two-step)



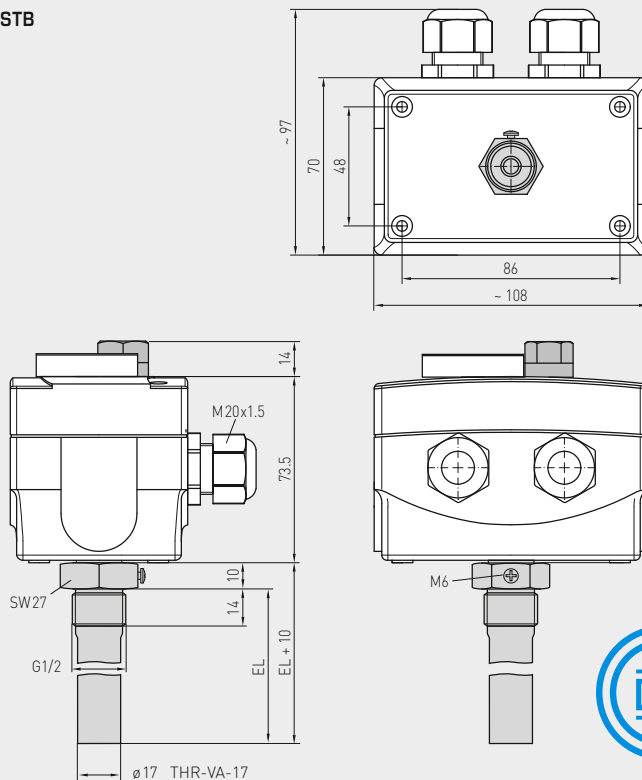
Registernr.:
TW / TW 1241



ETR-090090 U
(two-step)
TW + TW

Dimensional drawing
Temperature controller +
safety temperature limiter
TR + STB

ETR-xx Rxx
(two-step)



Registernr.:
TR / STB 1202



ETR-060 R 85
ETR-090 R 110
(two-step)
TR + STB
selectable



THERMASREG® ETR Equipment sensor / controller, two-step, including immersion sleeve

Type / WG02	Inserted Length (EL)	Temperature Ranges (adjustable)		Thermal Operating Difference (fixed) approx.		Maximum Capillary Temp.	Item No.	Price
		1.	2.	1.	2.			
ETR-090090 U							TW + TW	
ETR-090090 U VA/150	150 mm	0...+90 °C	0...+90 °C	3K	3K	+120 °C	1102-2010-2205-130	150,80 €
ETR-090090 U VA/200	200 mm	0...+90 °C	0...+90 °C	3K	3K	+120 °C	1102-2010-2205-140	163,91 €
ETR-060R85							TR + STB	
ETR-060R85 VA/150	150 mm	0...+60 °C	+65...+85 °C	3K	+0 / -15...20K	+120 °C	1102-2010-7205-230	150,80 €
ETR-060R85 VA/200	200 mm	0...+60 °C	+65...+85 °C	3K	+0 / -15...20K	+120 °C	1102-2010-7205-240	163,91 €
ETR-090R110							TR + STB	
ETR-090R110 VA/150	150 mm	0...+90 °C	+90...+110 °C	3K	+0 / -15...20K	+135 °C	1102-2010-7205-330	150,80 €
ETR-090R110 VA/200	200 mm	0...+90 °C	+90...+110 °C	3K	+0 / -15...20K	+135 °C	1102-2010-7205-340	163,91 €

Type designation:	ETR-xx_immersion sleeve material / inserted length (mm) MS = Brass nickel-plated, VA = Stainless steel V4A (1.4571)	
Extra charge:	U = Internal setting, unless included in a certain type /2 = 2 steps, unless included in a certain type	10,25 € on request
Features:	TR = Temperature controller (external setting) TW = Temperature monitor (internal setting) STB = Safety temperature limiter (internal setting), selectable, with external switchpoint confirmation and restart interlock, restart by reset button at approx. 15...20K below switching temperature (+0K / - 15...20K); with EC type test (module B) according to directive 2014/68/EU	
Note:	To ensure accurate responsiveness series ETR devices must only be used in connection with the immersion sleeves included in the scope of delivery while applying heat-conductive paste	

ACCESSORIES

WLP-1	Heat-conductive paste , silicone-free	7100-0060-1000-000	3,48 €
--------------	----------------------------------------------	--------------------	---------------

For further information see last chapter!

THERMASGARD® THR Immersion sleeve Ø 8 / 9 / 17 mm

Type / WG01	p _{max} (static)	T _{max}	Time Constant for Medium:			Inserted Length (EL)	Item No. Ø	Price
			Air	Water	Oil			
THR-ms-08 / xx							Brass nickel-plated	
							Ø 8 x 0.5 mm	
THR-MS-08/100	10 bar	+150 °C	106 s	18 s	53 s	100 mm	7100-0011-3022-000	15,88 €
THR-MS-08/150	10 bar	+150 °C	106 s	18 s	53 s	150 mm	7100-0011-3404-000	16,02 €
THR-MS-08/200	10 bar	+150 °C	106 s	18 s	53 s	200 mm	7100-0011-3403-000	19,02 €
THR-VA-09 / xx							Stainless steel V4A (1.4571)	
							Ø 9 x 1.0 mm	
THR-VA-09/100	25 bar	+150 °C	92 s	17 s	41 s	100 mm	7100-0012-3022-000	40,91 €
THR-VA-09/150	25 bar	+150 °C	92 s	17 s	41 s	150 mm	7100-0012-3032-000	42,22 €
THR-VA-09/200	25 bar	+150 °C	92 s	17 s	41 s	200 mm	7100-0012-3042-000	45,24 €
THR-VA-17 / xx							Stainless steel V4A (1.4571)	
							Ø 17 x 1.0 mm	
THR-VA-17/150	25 bar	+150 °C	-	45 s	55 s	150 mm	7100-0012-3033-000	42,22 €
THR-VA-17/200	25 bar	+150 °C	-	45 s	55 s	200 mm	7100-0012-3404-000	45,24 €

Ordering example:	THR - ms - 08 / 100	(Brass immersion sleeve, Ø = 8 mm, EL = 100 mm)
	THR - VA - 09 / 150	(Stainless steel immersion sleeve, Ø = 9 mm, EL = 150 mm)
	THR - VA - 17 / 200	(Stainless steel immersion sleeve, Ø = 17 mm, EL = 200 mm)

Note: inner diameter of socket 15.0 mm

Duct temperature controllers, including mounting flange,
EC type-tested, TÜV tested,
with switching output

DIN-tested German quality product. Temperature control and limiting device for heat generation plants in accordance with DIN EN 14597. Safety temperature limiter (STB) with EC type test (module B) according to directive 2014 / 68 / EU.

Mechanical temperature control device / rod thermostat THERMASREG® KTR with switching output, used for monitoring, controlling or limiting the temperatures of gaseous media as a boiler controller or in heating, air conditioning technology as well as in mechanical and apparatus engineering and in heat generation plants. It is available as one-step or two-step device, as adjustable temperature controller TR, temperature monitor TW, or as safety temperature limiter STB.



TECHNICAL DATA

Switching capacity: (Contact load)	24...250 V AC +10%, 10 A, cos φ = 1.0 24...250 V AC +10%, 1.5 A, cos φ = 0.6 at 24 V AC min. 150 mA
Contact:	dust-proof switch block unit as potential-free, single-pole or two-pole changeover contact
Housing:	plastic, UV-resistant, material polyamide, 30% glass-globe reinforced, colour traffic white (similar to RAL 9016)
Housing dimensions:	108 x 70 x 73.5 mm (Thor 2)
Cable gland:	M20 x 1.5; including strain relief
Measuring element:	torsion meter with liquid filling, liquid expansion temperature feeler
Mounting position:	arbitrary
Ambient temperature:	-10...+65 °C at the switch block housing
Tolerance:	T _{min} ± 5 K; T _{max} ± 3 K
Operating medium:	Air
Protective tube:	metal, material CuZn37 (2.0321), Ø 14 mm, NL = 205 mm
Inserted length:	approx. 205 mm (with flange); approx. 184 mm (without flange)
Process connection:	by mounting flange (included in the scope of delivery)
Electrical connection:	0.14 - 2.5 mm ² via terminal screws
Protection class:	I (according to EN 60 730)
Protection type:	IP 65 (according to EN 60 529)
Standards:	CE conformity, EMC directive 2014 / 30 / EU, low-voltage directive 2014 / 35 / EU
Tests:	EC type test (module B) according to directive 2014 / 68 / EU, certificate No.: IS-TAF-MUC 18 03 2652130 002, DIN EN 14597, register Nos.: STB 1201, TR / STB 1202

FUNCTION	TW, TR: Contact 2 - 3 breaks when temperature rises to the preset value.
	STB: Contact 2 - 1 or 5 - 4 (two-step) breaks when temperature rises to the preset value. Restart is possible only after cooling off by approx. 15 K - 20 K by pressing the reset button.





Configuration variants:

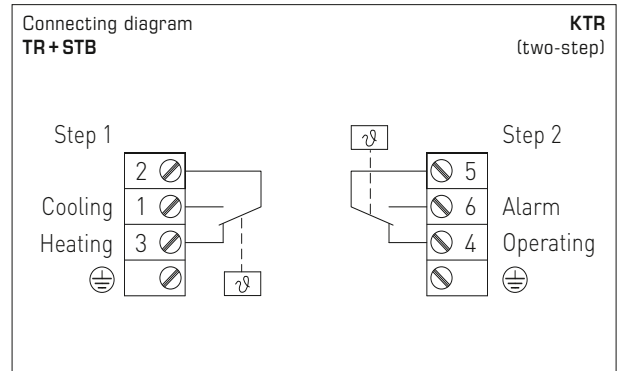
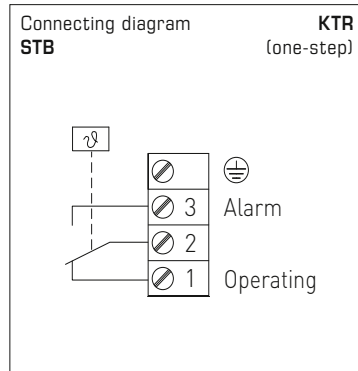
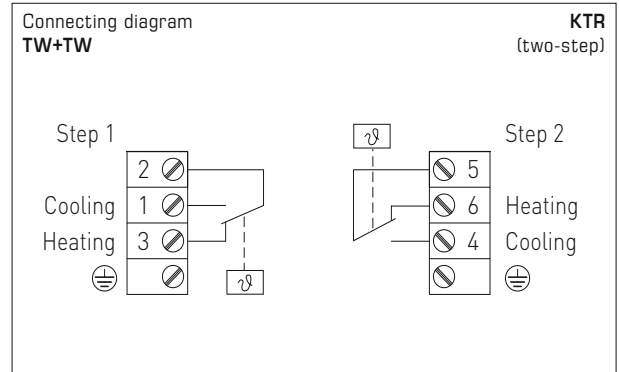
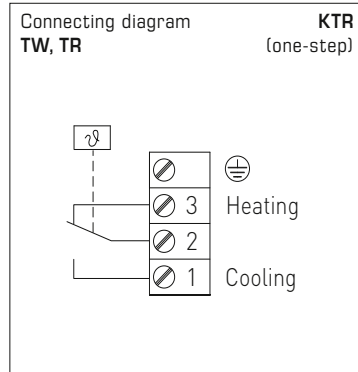
TW
Temperature monitor
(internal setting)

TR
Temperature controller
(external setting)

STB
Safety temperature limiter
(internal setting)

TW+TW
Double temperature monitor
(internal setting)

TR + STB
Temperature controller
(external setting) +
Safety temperature limiter
(internal setting)



ZERTIFIKAT ◆ CERTIFICATE ◆ CERTIFICADO ◆ CERTIFICAT ◆ СЕРТИФИКАТ ◆ 認証証書 ◆ CERTIFICATE ◆ ZERTIFIKAT

CERTIFICATE

valid until: 25.02.2028

ZERTIFIKAT

gültig bis: 25.02.2028

EU Type examination (module B) - production type - according to Directive 2014/68/EU

EU-Baumusterprüfung (Modul B) - Baumuster - nach Richtlinie 2014/68/EU

Certificate No.: **Z-IS-TAF-MUC-18-03-2652130-002**

Name and address of manufacturer: **S+S Regeltechnik GmbH**
Pirmaer Str. 20
90411 Nürnberg

We herewith certify that the type mentioned below meets the requirements of the Directive 2014/68/EU.

Hermit wird bescheinigt, dass das unten genannte Baumuster die Anforderungen der Richtlinie 2014/68/EU erfüllt.

Evaluation report No.: **C-T 1382-01/18 dated 2018-02-26**

Prüfbericht Nr.:

Scope of examination: **Safety temperature limiter as safety accessory**
type: ETR and KTR (see page 3)
basis of examination and details see page 3

Manufacturing plant: **S+S Regeltechnik GmbH**
Pirmaer Str. 20
90411 Nürnberg

München, 26.02.2018
(Place, date)

Verification of Certificate by TÜV SÜD App Verify
Echtkeitsprüfung durch App TÜV SÜD Verify

Notified Body, No. 0036
Notifiziertes Stelle, Kennnummer 0036
TÜV SÜD Industrie Service GmbH
Viesendorfer Str. 139
90526 München
GERMANY

089 5190-1027
feuerung@tuev-sud.de

TÜV SÜD Industrie Service GmbH
Certification Body for pressure equipment

Johannes Stieglmeier

Page 1 of the certificate No. / Seite 1 zum Zertifikat Nr. Z-IS-TAF-MUC-18-03-2652130-002

page 3 of certificate no. IS-TAF-MUC-18-03-2652130-002

Replaces certificate dated
IS-TAF-MUC 08 02 100248356 001

Basis of examination:
VDTUV-Merkblatt Temperatur 100:2017-03
DIN EN 14597 :2015-01
Essential safety requirements of Directive 2014/68/EU

Type code

Type	Code	Technical data
ETR-R6585	STB	Range: from 65 °C to 85 °C
ETR-R90110	STB	Range: from 90 °C to 110 °C
KTR-R6585	STB	Same function as ETR R6585, with the following difference: The tube is not closed to the medium
KTR-R90110	STB	Same function as ETR R90110, with the following difference: The tube is not closed to the medium

Type	Code	Technical data
ETR-060R85	TR/STB	Combination of two single types: TR and STB with the range: TR: from 0 °C to +60 °C STB: from +65 °C to + 85°
ETR-090R110	TR/STB	Combination of two single types: TR and STB with the range: TR: from 0 °C to +90 °C STB: from +90 °C to + 110°
KTR-060R85	TR/STB	Same function as ETR-060R85, with the following difference: The tube is not closed to the medium
KTR-090R110	TR/STB	Same function as ETR-090R110, with the following difference: The tube is not closed to the medium

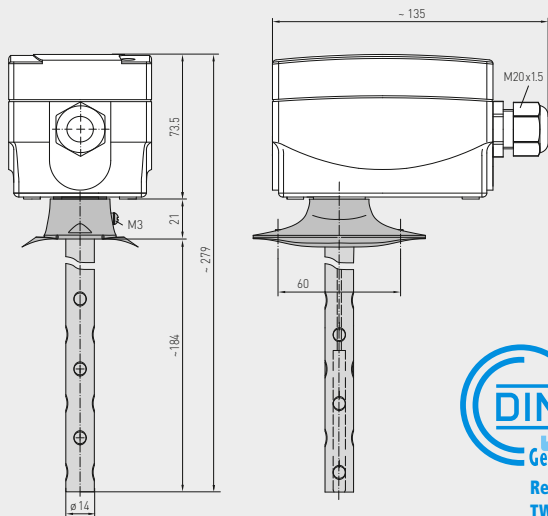
The conditions listed below have to be considered:

- To keep the specified response time the types ETR... shall be used with the provided tube and thermal conducting paste
- Possible risks caused by external fire or by traffic, wind and earthquake loading shall be examined separately depending from the installation situation of the pressure equipment

Appendix of certificate / Anlage zum Zertifikat Z-IS-TAF-MUC-18-03-2652130-002

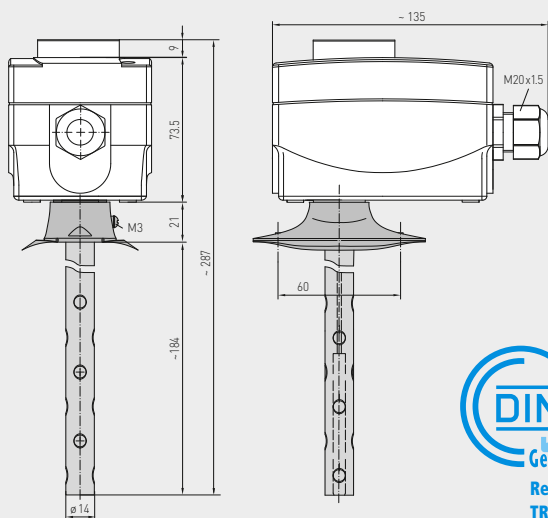
Dimensional drawing
Temperature monitor
TW

KTR-xxU
(one-step)



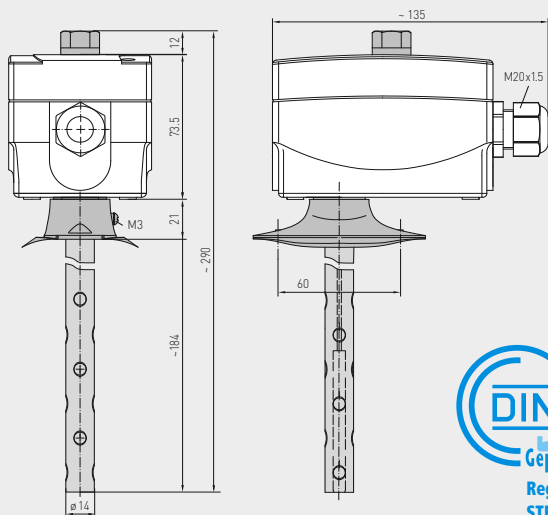
Dimensional drawing
Temperature controller
TR

KTR-xx
(one-step)



Dimensional drawing
Safety temperature limiter
STB

KTR-Rxx
(one-step)



KTR-060U
KTR-090U
(one-step)
TW



KTR-1
KTR-060
KTR-090
KTR-0120
KTR-50140
(one-step)
TR

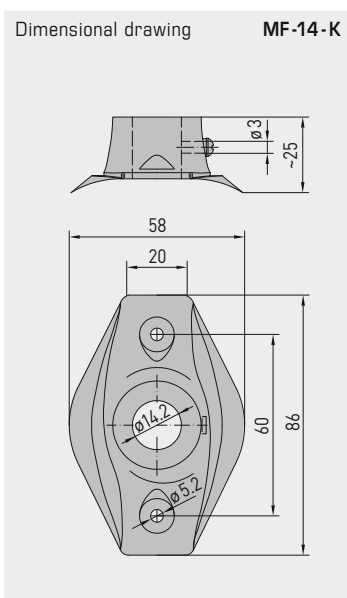


KTR-R6585
KTR-R90110
(one-step)
STB
adjustable



THERMASREG® KTR Duct temperature controllers, one-step						
Type / WG02	Ø mm	Temperature Ranges (adjustable)	Thermal Operating Difference (fixed) approx.	Maximum Capillary Temp.	Item No.	Price
KTR-060 U / 090 U					TW	
KTR-060 U	14	0...+60 °C	3K	+75 °C	1102-3010-2100-350	78,80 €
KTR-090 U	14	0...+90 °C	3K	+120 °C	1102-3010-2100-450	78,80 €
KTR-xx					TR	
KTR-1	14	-35...+35 °C	3K	+75 °C	1102-3010-1100-150	78,80 €
KTR-060	14	0...+60 °C	3K	+75 °C	1102-3010-1100-350	78,80 €
KTR-090	14	0...+90 °C	3K	+120 °C	1102-3010-1100-450	78,80 €
KTR-0120	14	0...+120 °C	5K	+135 °C	1102-3010-1100-550	78,80 €
KTR-50140	14	+50...+140 °C	5K	+150 °C	1102-3010-1100-650	78,80 €
KTR-R6585 / R90110					STB	
KTR-R6585	14	+65...+85 °C	+0 / -15...20K	+120 °C	1102-3010-6100-750	93,42 €
KTR-R90110	14	+90...+110 °C	+0 / -15...20K	+120 °C	1102-3010-6100-850	93,42 €
Extra charge:	U	= Internal setting, unless included in a certain type				10,25 €
	/2	= 2 steps, unless included in a certain type				on request
Equipment:	FT	= Manual reset when temperature drops				
	ST	= Manual reset when temperature rises				
	TR	= Temperature controller (external setting)				
	TB	= Temperature limiter (internal setting)				
	TW	= Temperature monitor (internal setting)				
	STB	= Safety temperature limiter (internal setting), selectable , with external switchpoint confirmation and restart interlock, restart by reset button at approx. 15...20 K below switching temperature (+ 0 K / - 15...20 K) with EC type test (module B) according to directive 2014 / 68 / EU				

ACCESSORIES			
MF-14-K	Mounting flange, plastic	7100-0030-2000-000	9,85 €
For further information see last chapter!			

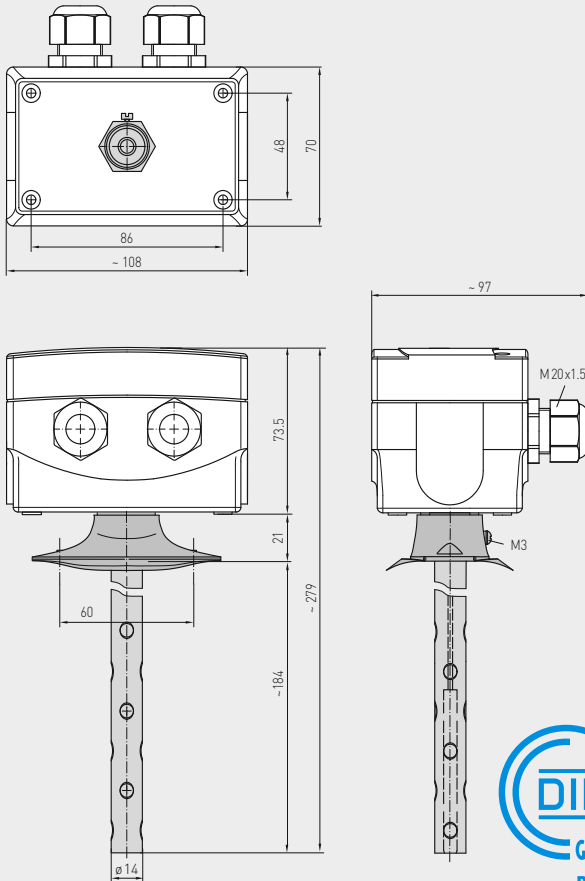


MF-14-K
Mounting flange,
plastic



Dimensional drawing
Double temperature monitor
TW + TW

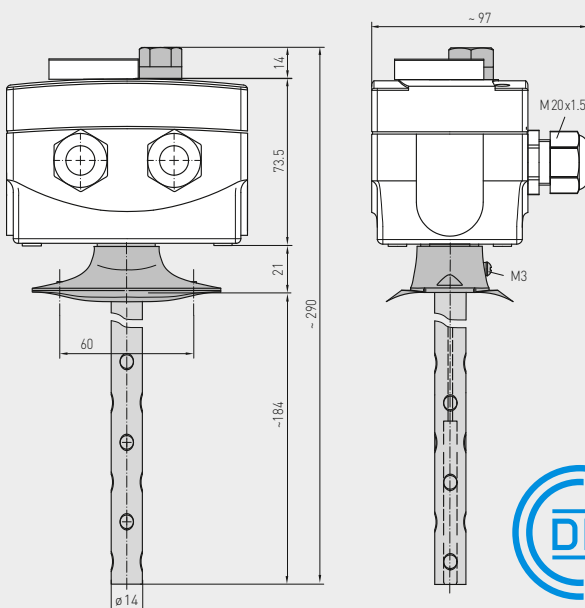
KTR-xxU
(two-step)



KTR-090090U
(two-step)
TW + TW

Dimensional drawing
Temperature controller +
safety temperature limiter
TR + STB

KTR-xxRxx
(two-step)

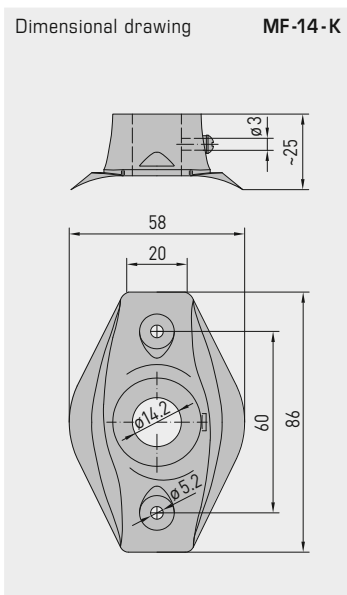


KTR-060R85
KTR-090R110
(two-step)
TR + STB
adjustable



THERMASREG® KTR Duct temperature controllers, two-step								
Type / WG02	Ø mm	Temperature Ranges (adjustable)		Thermal Operating Difference (fixed) approx.		Maximum Capillary Temp.	Item No.	Price
		1.	2.	1.	2.			
KTR-090090 U							TW+TW	
KTR-090090 U	14	0...+90 °C	0...+90 °C	3K	3K	+120 °C	1102-3010-2205-150	117,16 €
KTR-060R85							TR+STB	
KTR-060R85	14	0...+60 °C	+65...+85 °C	3K	+0 / -15...20K	+120 °C	1102-3010-7205-250	117,16 €
KTR-090R110							TR+STB	
KTR-090R110	14	0...+90 °C	+90...+110 °C	3K	+0 / -15...20K	+135 °C	1102-3010-7205-350	117,16 €
Extra charge:	U = Internal setting, unless included in a certain type /2 = 2 steps, unless included in a certain type						on request	10,25 €
Features:	TR = Temperature controller (external setting) TW = Temperature monitor (internal setting) STB = Safety temperature limiter (internal setting), selectable , with external switchpoint confirmation and restart interlock, restart by reset button at approx. 15...20 K below switching temperature (+ 0 K / - 15...20 K) with EC type test (module B) according to directive 2014 / 68 / EU							

ACCESSORIES			
MF-14-K	Mounting flange, plastic	7100-0030-2000-000	9,85 €
For further information see last chapter!			



MF-14-K
Mounting flange,
plastic



Surface contact temperature controllers, including tension spring

Mechanical temperature controllers / contact thermostats **THERMASREG® ALTR** with switching output (two-position controller) for monitoring, controlling and limitation of temperatures at pipes or vessels, e.g. in connection with hot-water or floor heating systems. The contact temperature controller ALTR is built as one-step device, as adjustable temperature controller **TR** (with external setting) or as adjustable temperature monitor **TW** (with internal setting).

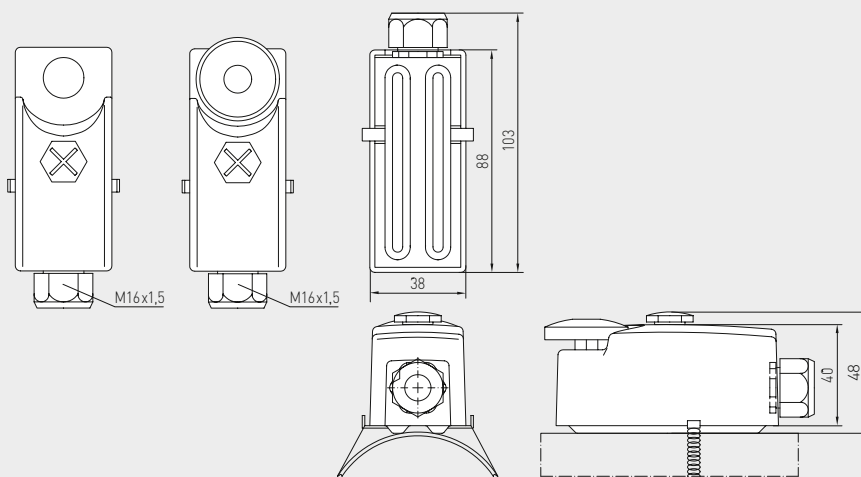
TECHNICAL DATA

Switching capacity: (Contact load)	16 (4) A; 24...250 V AC at 24 V AC min. 150 mA
Max. sensor temperature:	+110 °C
Contact:	dust-proof switch block unit as potential-free single-pole changeover contact
Housing:	ABS (acrylonitrile butadiene styrene), fibre-glass reinforced, base: steel, galvanised, top: grey, M 16 x 1.5
Housing temperature:	-35...+65 °C
Tolerance:	T _{min} ± 5 K; T _{max} ± 5 K
Sensor element:	bi-metal
Housing dimensions:	38 x 48 x 103 mm
Process connection:	by metal tension spring, 220 mm long (included in the scope of delivery)
Electrical connection:	0.14 - 1.5 mm ² via terminal screws
Protection class:	I (according to EN 60 730)
Protection type:	IP 40 (according to EN 60 529)
Standards:	CE conformity, EMC directive 2014 / 30 / EU, low-voltage directive 2014 / 35 / EU

FUNCTION
Heating: wire contacts C - 1
Cooling: wire contacts C - 2

Dimensional drawing

ALTR 060 / 090



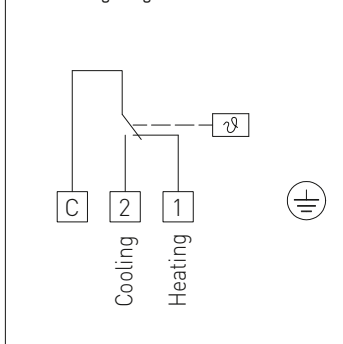
ALTR 060 / 090



ALTR 060 / 090 U



Connecting diagram ALTR 060 / 090



THERMASREG® ALTR 060 / 090 Surface contact temperature controllers

Type / WG01	Temperature Range	Thermal Operating Difference (fixed) approx.	Max. Capillary Temperature	Item No.	Price
ALTR 060 / 090					TR (External setting)
ALTR-060	0...+60 °C	8 K (± 1 K)	+110 °C	1102-1040-1100-300	32,80 €
ALTR-090	0...+90 °C	8 K (± 1 K)	+110 °C	1102-1040-1100-400	32,80 €
ALTR 060 / 090 U					TW (Internal setting)
ALTR-060 U	0...+60 °C	8 K (± 1 K)	+110 °C	1102-1040-2100-300	32,80 €
ALTR-090 U	0...+90 °C	8 K (± 1 K)	+110 °C	1102-1040-2100-400	32,80 €



Mechanical temperature controllers / contact thermostats **THERMASREG® ALTR** with switching output (two-position controller) for monitoring, controlling and limitation of temperatures at pipes or vessels, e.g. in connection with hot-water or floor heating systems. The contact temperature controller ALTR is built as one-step device, as adjustable temperature controller **TR** (with external setting) or as adjustable temperature monitor **TW** (with internal setting).

TECHNICAL DATA

Switching capacity:	24 ... 250 V AC + 10%, 16 A, cos φ = 1.0 (Contact load) 24 ... 250 V AC + 10%, 1.5 A, cos φ = 0.6 at 24 V AC min. 150 mA
Contact:	dust-proof switch block unit as potential-free single-pole changeover contact
Housing:	plastic, UV-resistant, material polyamide, 30% glass-globe reinforced, colour traffic white (similar to RAL 9016)
Housing dimensions:	108 x 70 x 73.5 mm (Thor 2)
Cable gland:	M20 x 1.5; including strain relief
Housing temperature:	-35...+65 °C
Tolerance:	T _{min} ± 5 K; T _{max} ± 5 K
Design principle:	torsion meter with liquid filling
Process connection:	endless strap with metal tightener (included in the scope of delivery), Ø = 13 - 92 mm (1/4 - 3"), L = 300 mm
Electrical connection:	0.14 - 2.5 mm ² via terminal screws
Protection class:	I (according to EN 60 730)
Protection type:	IP 65 (according to EN 60 529)
Standards:	CE conformity, EMC directive 2014 / 30 / EU, low-voltage directive 2014 / 35 / EU

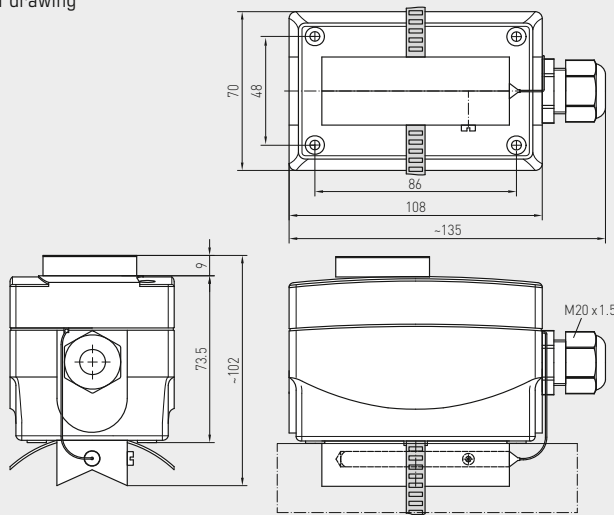
FUNCTION

Heating: The preset setpoint (scale value) is equivalent to the switch-off value of the heating. The switch-on value is lower by the amount of operating difference. Contact 2-3 breaks when temperature rises to the preset value.

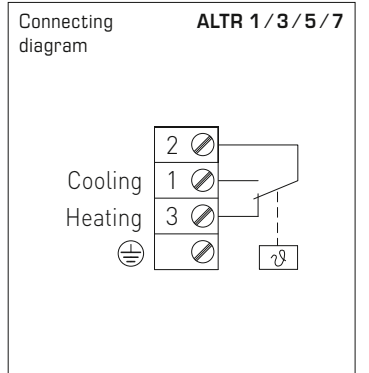
Cooling: The preset setpoint (scale value) is equivalent to the switch-on value of the cooling. The switch-off value is lower by the amount of operating difference. Contact 1-2 closes when temperature rises to the preset value.



Dimensional drawing



ALTR 1/3/5/7



THERMASREG® ALTR 1 / 3 / 5 / 7 Surface contact temperature controllers

Type/WG01	Temperature Range	Thermal Operating Difference (fixed) approx.	Max. Capillary Temperature	Item No.	Price
ALTR 1/3/5/7					TR (External setting)
ALTR-1	-35... +35 °C	5K (± 1 K)	+60 °C	1102-1030-1100-100	103,70 €
ALTR-3	0... +60 °C	5K (± 1 K)	+75 °C	1102-1030-1100-300	103,70 €
ALTR-5	0... +90 °C	5K (± 1 K)	+120 °C	1102-1030-1100-400	103,70 €
ALTR-7	0... +120 °C	5K (± 1 K)	+130 °C	1102-1030-1100-500	103,70 €
Extra charge:	U = Internal setting (TW), e.g. ALTR-1 U				10,25 €

Frost protection thermostats, mechanical, one-step, with switching output

The mechanical frost protection thermostat / frost monitor **THERMASREG® FST** with switching output, fully-active sensor rod, with automatic reset, or with mechanical locking and manual reset, is available with capillaries in lengths of 0.6 m, 1.8 m, 3 m, 6 m, or 12 m. This frost protection monitor is used for air- and water-side temperature monitoring at heat exchangers, water circulation systems, and heating registers to prevent freezing up and to avoid frost damages, e. g. in ventilation and air conditioning ducts. All devices are self-secure with sensor breakage detection. In case of damage to the capillary tube – membrane system, the relay automatically switches to heating function. **FST-3** can also be used for monitoring liquids. The sensor tube can be installed inside an immersion sleeve. Mounting clamps **MK-05-K** are included in the delivery.

FST - 1D / 5D / 7D / 8D

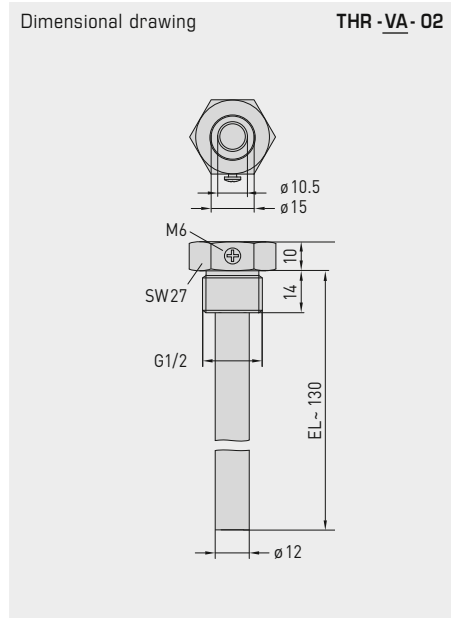
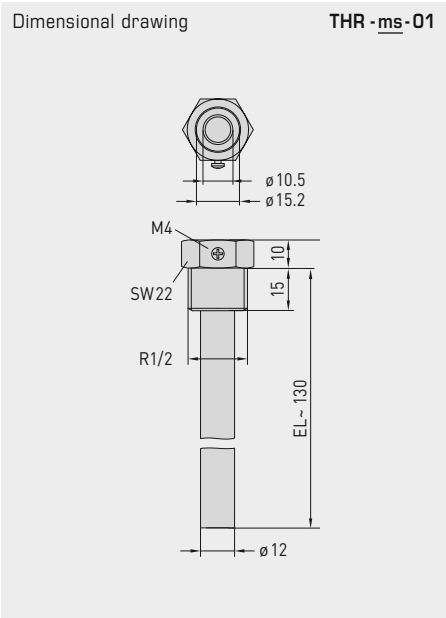
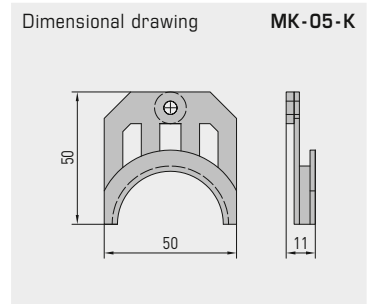
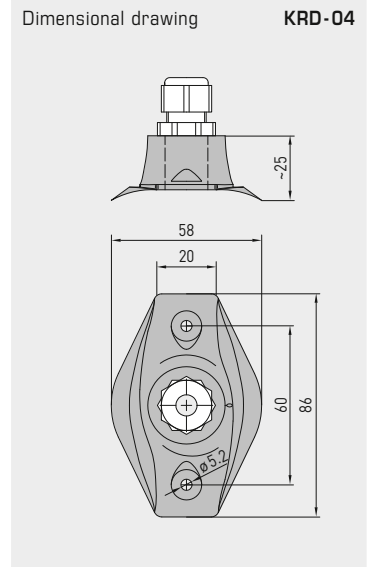
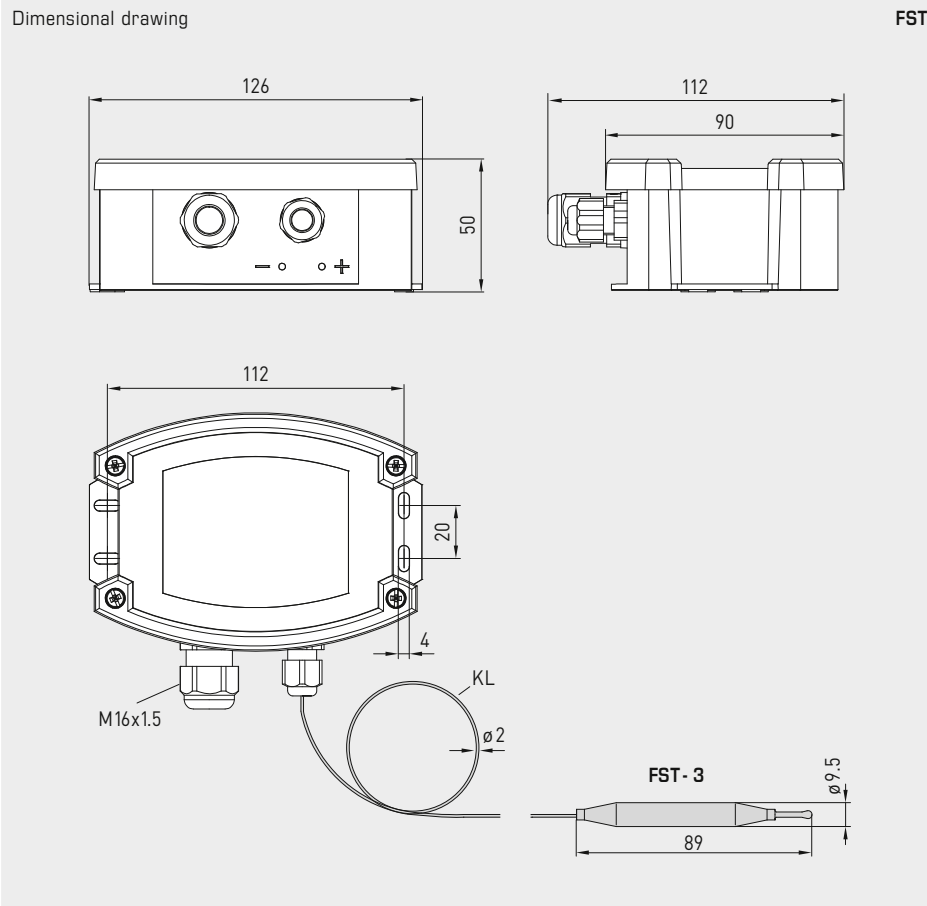


TECHNICAL DATA

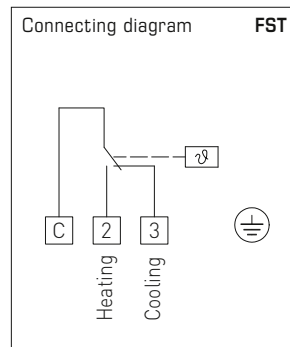
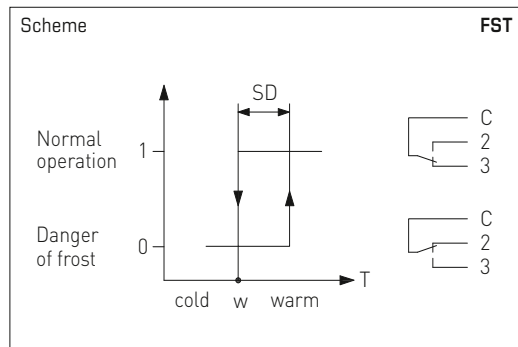
Switching capacity:	10 (2) A, AC 250 V; because of gold-plated switching contacts also switching of signal voltages < 24 V
Setting range:	-10...+15 °C / +14 °F...+59 °F, factory setting to w = +5 °C (+41 °F)
Operating difference:	2 ± 1 K (3.6 ± 1.8 °F)
Reproducibility:	± 0.5 K (± 0.9 °F)
Contact:	dust-proof micro switch as single-pole potential-free changeover contact
Sensor responding length:	approx. 40 cm
Length of capillary tube:	see table of types (0.6...12 m)
Resetting:	FST-xD automatic FST-xD-HR manual
Permissible medium:	FST-1D/5D/7D/8D air FST-3D water
Ambient temperatures:	maximum operating temperature: +70 °C (+158 °F) minimum operating temperature: w + min. +2 °C (min. +3.6 °F) storage / transport: -30...+70 °C (-22...+158 °F) capillary: max. +150 °C (+302 °F)
Process connection:	by mounting clamps MK-05-K (included in the scope of delivery)
Housing:	plastic, UV-resistant, material polyamide, 30% glass-globe reinforced, with quick-locking screws (slotted / Phillips head combination), colour traffic white (similar to RAL 9016)
Housing dimensions:	126 x 90 x 50 mm (Ty2)
Cable gland:	M 16 x 1.5; including strain relief
Other materials:	mechanical sheet metal parts: galvanised steel capillary tube: copper capillary tube filling: R 507 switching contacts: Ag / Ni (90% / 10%) gold-plated (3 µm)
Installation length:	arbitrary
Routing:	bending radius > 35mm admissible vibration load ≤ ½g admissible tensile load < 100N
Electrical connection:	0.14 - 2.5 mm²
Protection class:	I (according to EN 60 730-1)
Protection type:	IP 65 (according to EN 60 529)
Standards:	CE conformity, EMC directive 2014 / 30 / EU, low-voltage directive 2014 / 35 / EU
FUNCTION	Contact C-2: danger of frost / sensor breakage Contact C-3: normal operation For further information see next page...
ACCESSORIES	see table

FST-3D





Frost protection thermostats, mechanical, one-step, with switching output



FST - 1D / 5D / 7D / 8D - HR
(manual rest)



FUNCTION

The switch inside frost protection thermostat **FST** responds (closes contact C-2) when temperature falls below the preset temperature setpoint over a capillary tube length of at least 40cm. Simultaneously contact C-3 breaks and can be used as a signal contact. Resetting (closing contact C-3) happens automatically when temperature rises above the preset setpoint value again (on type **FST-xR** resetting must be done manually by pressing the reset button).

The **FST** is "intrinsically safe", i.e., in the event of damage to the capillary tube-membrane system, it automatically switches to the heating function. Contact C-2 closes and therefore can be used as operating contact. The air temperature is detected over the entire sensor length (capillary tube). The gas-filled (R507) membrane system and the capillary tube constitute one measuring unit, which is mechanically coupled to the microswitch.

Capillary tube: The capillary tube is laid uniformly at the hot side of the air heater to be protected (in case of air coolers in front of the air cooler) at a distance of approx. 5cm crosswise to the heat exchanger tubes over the entire area. For test purposes, it is recommended to make a loop of approx. 20cm directly underneath the housing and before entering the air duct. To avoid damaging the capillary tube, a minimum bending radius of 20mm must be observed. Installation is facilitated by using the mounting clamps available under accessories.

Frost simulation: The frost situation can be simulated and functioning of the device can be tested by dipping the capillary tube testing loop into a pot filled with ice water.

FST-3D-HR
(manual rest)



WS-03

Weather and sun protection hood (optional)



FST-xD
 TW = temperature monitor
 (automatically switching)



FST-xD-HR
 TB = temperature limiter
 (manual reset)



THERMASREG® FST Frost protection thermostats, mechanical

Type / WG03B	Temperature Range	Thermal Operating Difference (fixed) approx.	Length of Capillary	Permissible Medium	Item No.	Price
FST-xx D						TW
FST-1D *	-10...+15°C	2K (± 1 K)	6.0 m	air	1102-1021-0102-000	89,76 €
FST-3D *	-10...+15°C	2K (± 1 K)	1.8 m	air / water	1102-1023-0102-000	91,59 €
FST-5D *	-10...+15°C	2K (± 1 K)	3.0 m	air	1102-1022-0102-000	87,32 €
FST-7D *	-10...+15°C	2K (± 1 K)	12.0 m	air	1102-1025-0102-000	154,73 €
FST-8D	-10...+15°C	2K (± 1 K)	0.6 m	air	1102-1024-0102-000	84,98 €
FST-xx D-HR						TB
FST-1D-HR *	-10...+15°C	2K (± 1 K)	6.0 m	air	1102-1021-1102-000	107,84 €
FST-3D-HR *	-10...+15°C	2K (± 1 K)	1.8 m	air / water	1102-1023-1102-000	110,52 €
FST-5D-HR *	-10...+15°C	2K (± 1 K)	3.0 m	air	1102-1022-1102-000	107,46 €
FST-7D-HR *	-10...+15°C	2K (± 1 K)	12.0 m	air	1102-1025-1102-000	170,47 €
FST-8D-HR	-10...+15°C	2K (± 1 K)	0.6 m	air	1102-1024-1102-000	100,70 €
Features:	FST-xD	TW = temperature monitor (automatically switching)				
	FST-xD-HR	TB = temperature limiter (manual reset)				

ACCESSORIES

KRD-04	Capillary tube gland bracket	7100-0030-7000-000	9,18 €
MK-05-K	Mounting clamps (6 pieces) plastic (*= included in the scope of delivery)	7100-0034-1000-000	10,18 €
TH-MS-01	Immersion sleeves, brass, for FST-3 Installation length (EL) = 130 mm, flange = 10 mm, R1/2"	7100-0011-5402-000	16,02 €
TH-VA-02	Immersion sleeves, stainless steel V2A (1.4301), for FST-3 Installation length (EL) = 130 mm, flange = 10 mm, G1/2"	7100-0012-5402-000	41,96 €
WS-03	Weather and sun protection hood, 200 x 180 x 150 mm, stainless steel V2A (1.4301)	7100-0040-6000-000	46,08 €

For further information see last chapter!

**Duct frost protection thermostat,
incl. mounting flange, mechanical, one-step,
with switching output**

Mechanical frost protection thermostat / frost monitor **THERMASREG® FST-K** with switching output, duct tube monitored across the entire length, with automatic reset or with mechanical locking, with/without optional manual reset.

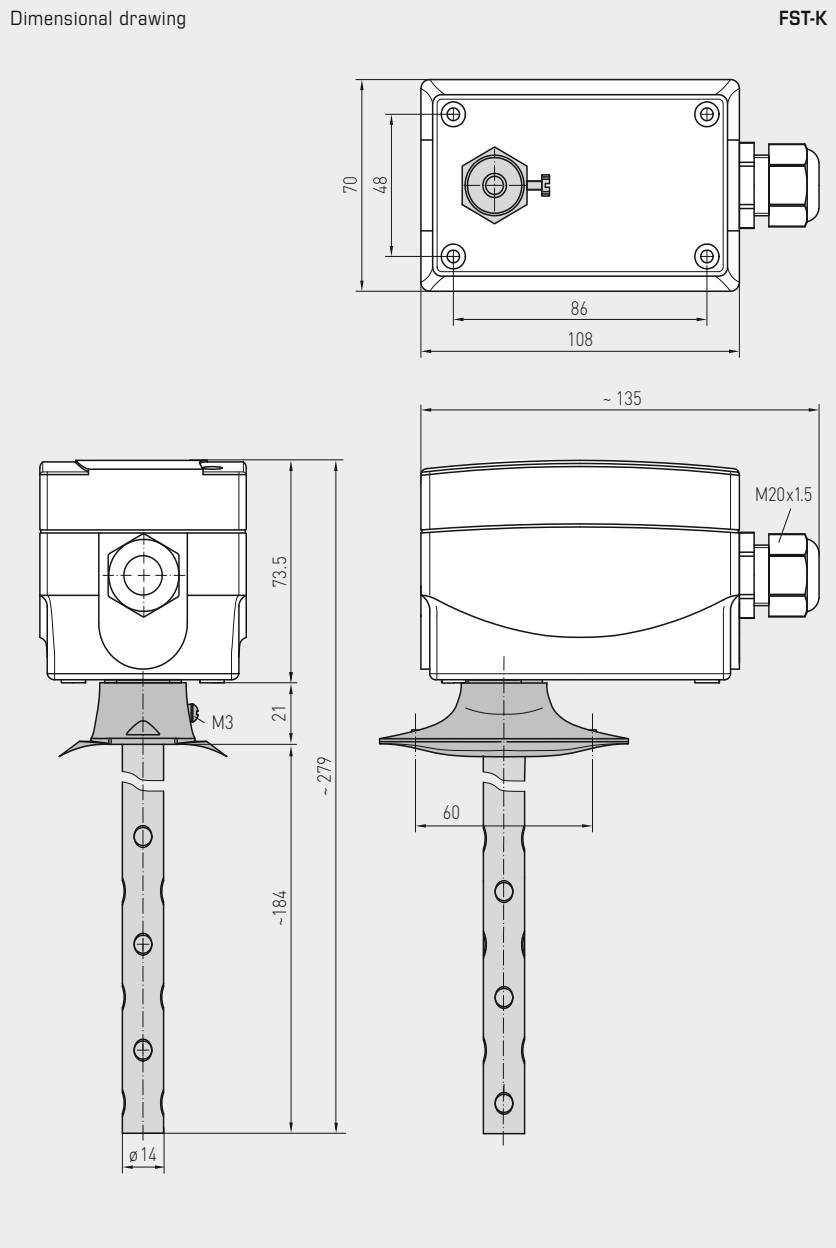
The frost protector is suitable for air side temperature monitoring at heat exchangers and heating registers to prevent freezing up and to avoid frost damage, e.g. in ventilation and air conditioning ducts. The FST-K is intrinsically safe and is equipped with sensor breakage detection. In the event of damage to the capillary membrane system, the frost sensor automatically switches to the heating function. The scope of delivery includes the mounting flange **MF-14-K**.

TECHNICAL DATA

Switching capacity:	10 (2) A, AC 250 V; because of gold-plated switching contacts also switching of signal voltages < 24 V
Setting range:	-10...+15 °C / +14 °F...+59 °F, factory setting to $w = +5 °C (+41 °F)$
Operating difference:	$2 \pm 1 K (3.6 \pm 1.8 °F)$
Reproducibility:	$\pm 0.5 K (\pm 0.9 °F)$
Contact:	dust-proof micro switch as single-pole potential-free changeover contact
Resetting:	FST-K automatic FST-K-HR manual (by hand)
Permissible medium:	Air
Ambient temperatures:	maximum operating temperature: +70 °C (+158 °F) minimum operating temperature: $w + \text{min. } +2 °C (\text{min. } +3.6 °F)$ storage / transport: -30...+70 °C (-22...+158 °F)
Housing:	plastic, UV-resistant, material polyamide, 30% glass-globe reinforced, colour traffic white (similar to RAL 9016)
Housing dimensions:	108 x 70 x 73.5 mm (Thor 2)
Cable gland:	M 20 x 1.5; with strain relief
Process connection:	by mounting flange, plastic (included in the scope of delivery)
Electrical connection:	0.14 - 2.5 mm ² , via screw terminals
Protective tube:	metal , material CuZn37 (2.0321), Ø 14 mm, NL = 205 mm
Other materials:	mechanical sheet metal parts: galvanised steel capillary tube: copper capillary tube filling: R 507 switching contacts: Ag / Ni (90% / 10%) gold-plated (3 µm)
Protection class:	I (according to EN 60 730-1)
Protection type:	IP 65 (according to EN 60 529)
Standards:	CE conformity, EMC Directive 2014 / 30 / EU, Low Voltage Directive 2014 / 35 / EU
FUNCTION	Contact C-2: danger of frost / sensor breakage Contact C-3: normal operation
For further information and accessories see next page...	



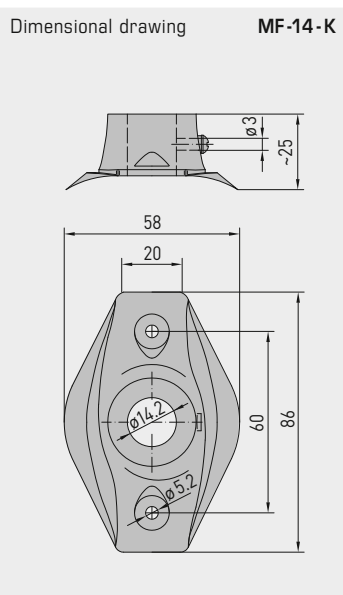
Duct frost protection thermostat, incl. mounting flange, mechanical, one-step, with switching output



FST-K



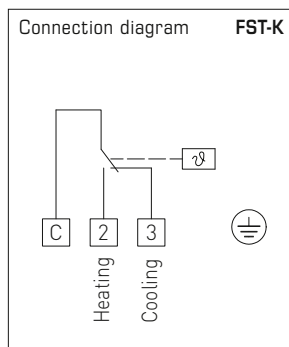
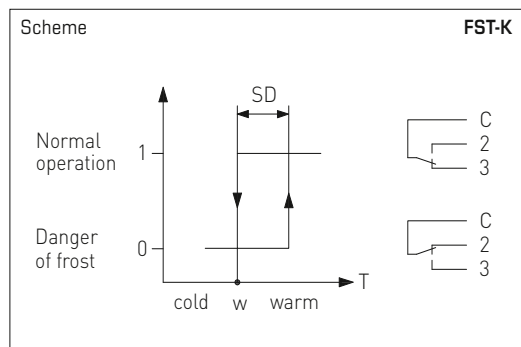
FST-K-HR with manual reset



MF-14-K
Mounting flange,
plastic



Duct frost protection thermostat,
incl. mounting flange, mechanical, one-step,
with switching output



FUNCTION

The switch in the **FST-K** duct frost protection thermostat responds if the temperature across the entire length of the duct tube falls below the preset temperature setpoint (closes contact C-2). Contact C-3 opens at the same time and can be used as a signal contact. Resetting occurs automatically (contact closes C-3) if the temperature rises above the preset setpoint again (on type **FST-K-HR**, resetting must be performed manually using the reset button).

The **FST-K** is "intrinsically safe", i.e., in the event of damage to the capillary tube-membrane system, it automatically switches to the heating function. Contact C-2 closes and can therefore be used as an operating contact. The air temperature is detected over the entire length of the sensor (capillary tube). The gas-filled (R507) membrane system and the capillary tube constitute one measuring unit, which is mechanically coupled to the microswitch.

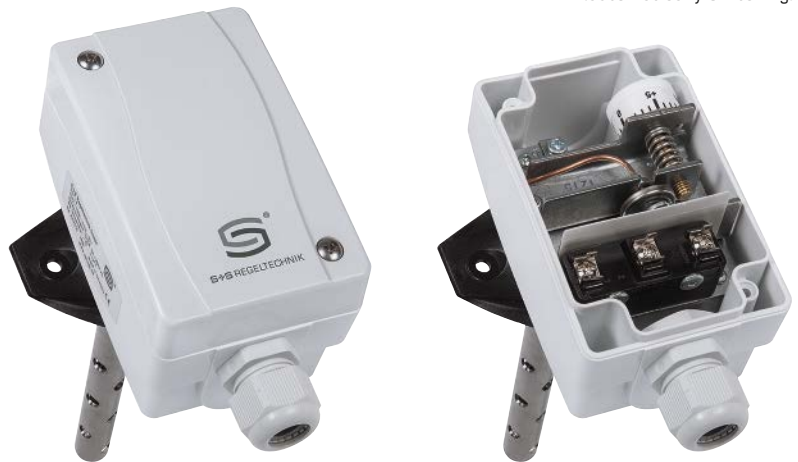


S+S REGELTECHNIK

Duct frost protection thermostat,
incl. mounting flange, mechanical, one-step,
with switching output

FST-K

TW = temperature monitor
(automatically switching)



FST-K-HR

TB = temperature limiter
(manual reset)



THERMASREG® FST-K Duct frost protection thermostat, mechanical

Type / WG02	Temperature Range	Thermal Operating Difference (fixed) approx.	Function	Permissible Medium	Item No.	Price
FST-K					TW	
FST-K	-10...+15°C	2K (± 1 K)	TW	air	1102-1064-0100-001	123,71 €
FST-K-HR					TB	
FST-K HR	-10...+15°C	2K (± 1 K)	TB	air	1102-1064-1100-000	139,46 €
Equipment:	FST-K FST-K-HR	TW = temperature monitor (automatically switching) TB = temperature limiter (manual reset)				

ACCESSORIES

MF-14-K	Mounting flange, plastic	7100-0030-2000-000	9,85 €
----------------	--------------------------	--------------------	---------------

For further information see last chapter!

**2-phase frost protection thermostat,
with control and cascading input,
with active and switching output**

FS-20

Electronic frost protection thermostat / frost monitor **THERMASREG® FS-20** with switching relay output, continuous temperature and valve output (summation output 0–10V) and control and cascading output (0–10V), optionally with connection for heating element, in an impact-resistant plastic housing with quick-locking screws, with display by default, with fully active sensorrod made from copper.

The frost monitor is used to monitor air conditioning systems, heat exchangers, heating registers and similar systems, and protects against frost damage and freezing. Falling below the limit value is detected at the coldest measuring point of the capillary tube, the sensor rod is active along its entire length. Uses internal diagnostics to detect capillary breakage, power failure or electric damage to the sensor as an error and the relay automatically switches to frost.

The innovative 2-phase frost protection thermostat enables simple combination of several devices (cascading) for demand-oriented, comprehensive frost monitoring. The delivery scope includes the mounting clamps **MK-05-K** for expert attachment of the sensor rod.

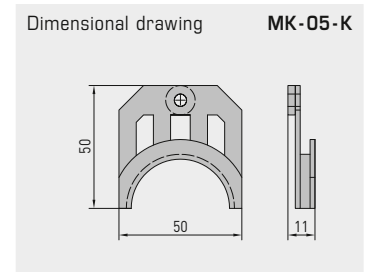
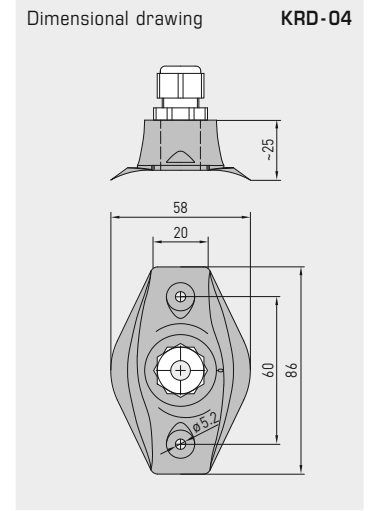
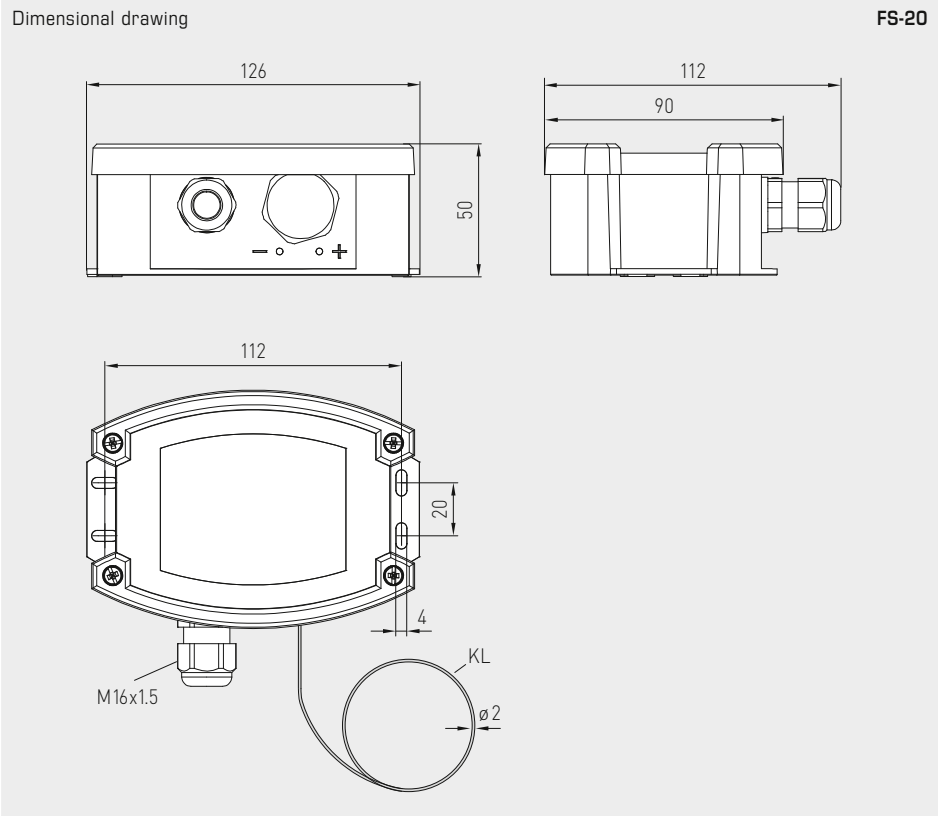


TECHNICAL DATA

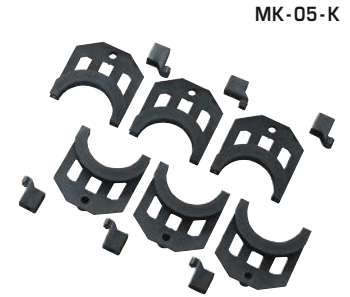
Power supply:	24 V AC / DC (± 10 %)
Load resistance:	$R_L > 50 \text{ k}\Omega$
Measuring range:	0...+15 °C
Input:	1 x 0-10V control input DDC 1 x 0-10V ascading input
Output:	1 x 0-10V output temperature (corresponding to 0...+15 °C) 1 x 0-10V output valve (frost signal with control voltage and cascading) 1 x potential-free changeover contact (24 V), range of adjustment 0...+15 °C
Current consumption:	max. 100 mA at 24 V DC (FS-20 without heating element) max. 200 mA at 24 V DC (FS-20 xx HE with heating element)
Accuracy:	typically ± 1 K (at +10 °C)
Hysteresis of the switch step:	2K
Turn-on/run-in time:	< 1 min
Response time:	$t_{90} < 5 \text{ s}$
Sensor and capillary tube:	Copper sensor rod, length of 3 m or 6 m, active along the entire sensor length, min. response length of 25 cm
Ambient temperatures:	Sensor and capillary tube: -20...+60 °C (capillary tube at a distance of > 20 cm from the housing) Housing: -15...+50 °C Storage/transport: -30...+70 °C
Housing:	plastic, UV-resistant, material polyamide, 30 % glass-globe reinforced, with quick-locking screws (slotted / Phillips head combination), colour traffic white (similar to RAL 9016), housing cover for display is transparent!
Housing dimensions:	126 x 90 x 50 mm (Tyr 2)
Cable gland:	M 16 x 1.5; including strain relief, exchangeable, max. inner diameter 10.4 mm
Process connection:	by mounting clamps MMK-05-K (included in the scope of delivery)
Electrical connection:	0.14 - 1.5 mm ² , via screw terminals
Routing:	bending radius > 35mm admissible vibration load ≤ ½g admissible tensile load < 100N
Permitted humidity:	< 95 % RH, non-precipitating air
Protection class:	III (according to EN 60 730)
Protection type:	IP 65 (according to EN 60 529)
Standards:	CE-conformity, electromagnetic compatibility according to EN 61 326, EMC directive 2014 / 30 / EU
Equipment:	display with illumination , three-line, cutout approx. 70 x 40 mm (W x H), for displaying the actual temperature, measuring range overrange/underrange of the set switch point (frost protection temperature), and alarm indicator for "frost" or "error" (capillary breakage, overvoltage/undervoltage)
Internal diagnostics:	Error 1 in case of cable / capillary breakage Error 2 in case of undervoltage / overvoltage (relay automatically switches to frost)



2-phase frost protection thermostat, with control and cascading input, with active and switching output



WS-03
Weather and sun protection hood (optional)



**2-phase frost protection thermostat,
with control and cascading input,
with active and switching output**

FUNCTION

The filling used in the copper capillary tube in the frost protection monitor generates a pressure signal that is proportional to the lowest temperature on the entire capillary tube (but min. 200mm). This is converted into an electrical signal by a sensor and electronically amplified. The standard signal 0-10V generated as a result corresponding to 0...+15°C is issued. This voltage is available at the "Temp." terminal.

The internal potentiometer can be used to specify a **frost switchpoint "FS"** for the potential-free changeover contact in the range from 0°C (left limit stop) to +15°C (right limit stop). If this switchpoint "FS" is undershot, the relay output switches to the "frost protection" position (contact "W" connected to contact "Ö"). If the temperature rises by more than 2K above the set switchpoint "FS", the device switches back to normal operating mode if **"Reset Auto"** is selected. The relay drops out to the initial position (contact "W" connected to contact "S"). If the **"Reset Hand"** operating mode is selected, the relay output does not automatically switch even if the set switchpoint "FS" +2K is exceeded, but must be manually reset from the **reset button**.

In addition, a second voltage output "AV", mapped by 0-10V, is available. At a voltage of 0V at the control input "SE", the output voltage "AV" is always 0V if the measured temperature is at least 6K above the set switchpoint "FS". If the measured temperature falls below the set switchpoint "FS"+6K, the voltage output "AV" increases in a linear fashion from 0V to 10V. The increase here amounts to 1.67 V for every degree Kelvin by which the temperature approaches the preset switchpoint "FS". The output voltage 10V is therefore issued at "FS" = measured temperature. If you increase "SE", the output voltage "AV" is increased by this amount. The "AV" output therefore represents a summation output for the input variables "SE" and "Frost signal". In this case, the "Frost signal" variable describes the output behaviour of "AV" at "SE" = 0V. The maximum output voltage is restricted to 10V.

Several frost protection devices can be connected to each other via the **cascading input "KE"** to cover a larger channel cross-section for frost monitoring. The AV output of the first device is connected to the KE input of the second device. The internal device logic decides on the priority frost signal of both devices for controlling the heating register valve.

In the event of capillary breakage, electrical sensor damage (cable breakage), voltage failure, falling short of the permissible voltage level or exceeding it, the relay output is automatically switched to "Frost protection" (contact "W" connected to contact "Ö").

NOTE

The capillary tube must be securely seated in the socket and must not twist.
A redundant setup to protect critical systems is **absolutely necessary**.

Display readout FS-20



Normal operation
Actual temperature and set switchpoint temperature



Frost protection alarm
Actual temperature is below switchpoint temperature

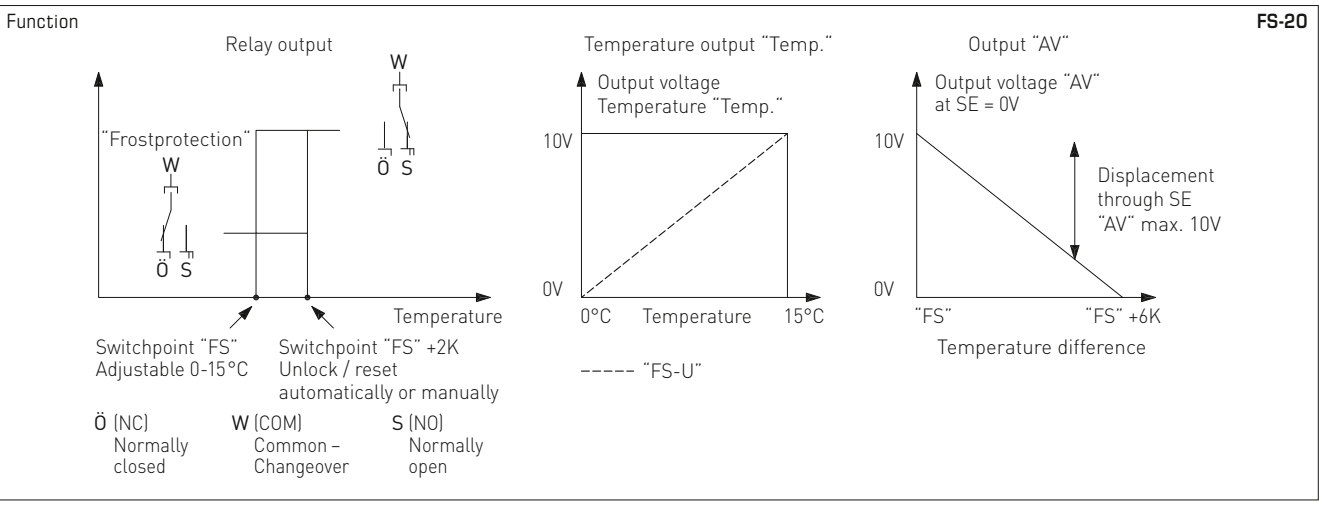
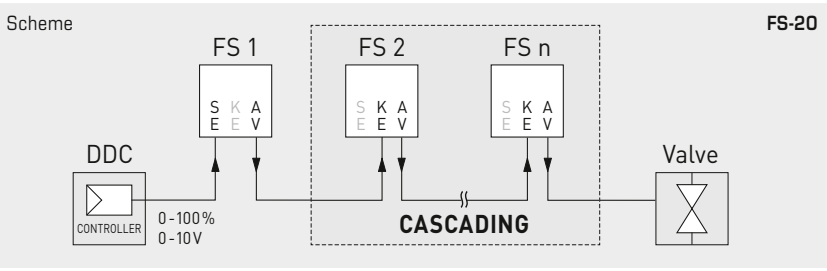


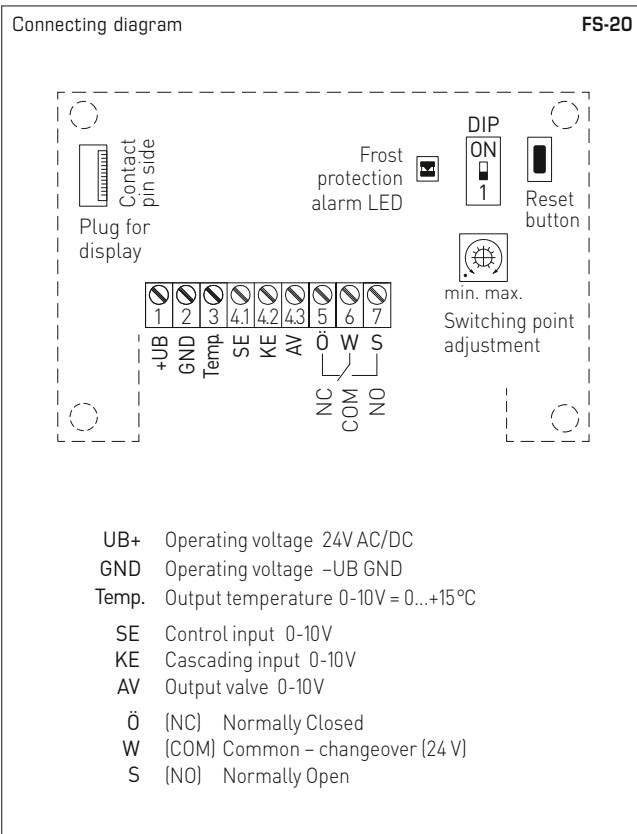
Measuring range exceeded
Actual temperature rises above +15°C



Measuring range underranged
Actual temperature falls below 0°C

- 1 ERROR** Error message 1 in case of cable/capillary breakage
- 2 ERROR** Error message 2 in case of undervoltage/overvoltage





DIP switch FS-20	
Resetting after frost protection (Mode adjustable)	DIP 1
Reset Hand (manually) Alarm remains saved	ON
Reset Auto (automatically) Alarm is reset automatically (default)	OFF

THERMASREG® FS-20 Two-phase frost protection thermostats						
Type/WG02	Measuring Range	Output	Sensor length	Display	Item No.	Price
FS-20						
FS20-UW 3m LCD	0...+15 °C	2 x 0-10V, 1 x changeover contact	3,0m	■	1102-1012-2102-030	263,70 €
FS20-UW 6m LCD	0...+15 °C	2 x 0-10V, 1 x changeover contact	6,0m	■	1102-1011-2102-030	309,78 €
FS-20 xx HE with heating element						
FS20-UW-HE 3m LCD	0...+15 °C	2 x 0-10V, 1 x changeover contact	3,0m	■	1102-1012-2112-030	286,99 €
FS20-UW-HE 6m LCD	0...+15 °C	2 x 0-10V, 1 x changeover contact	6,0m	■	1102-1011-2112-030	334,20 €

ACCESSORIES			
KRD-04	Capillary tube gland bracket		7100-0030-7000-000 9,18 €
MK-05-K	Mounting clamps (6 pieces) plastic (included in the scope of delivery)		7100-0034-1000-000 10,18 €
WS-03	Weather and sun protection hood, 200 x 180 x 150 mm, stainless steel V2A (1.4301)		7100-0040-6000-000 46,08 €

For further information see last chapter!



Humidity

HYGRASGARD® & HYGRASREG®

No chance for mould and rust

You can be sure that our humidity transmitters and humidity controllers will never let you down when it comes to preventing mould and rust.

Thanks to an accuracy of up to 2% RH, you will always be on the safe side. The range of applications extends from standard applications in building automation all the way to demanding cleanroom applications.

Application Areas

- Refrigeration, air conditioning, ventilation and cleanroom technology
- Food and pharmaceutical industry
- Hospitals, museums, office buildings and greenhouses
- Production facilities, laboratories, computer rooms and control cabinets
- Meteorology





HYGRASGARD® & HYGRASREG® HUMIDITY SENSORS, CONTROLLERS, HYGROSTATS

Room sensors

RFF/RFTF	Room humidity sensor, on-wall	375
FSFM/FSFTM	Room humidity sensor, in-wall	377
DFF/DFTF	In-ceiling humidity sensor	381
RPFF-SD	Pendulum room humidity sensor	435
RPFF/RPFTF	Pendulum room humidity sensor	439
RPFF/RPFTF-25	Pendulum room humidity sensor, pluggable	443
VFF/VFTF	Showcase humidity sensor	447

Duct sensors

KFF/KFTF-SD	Duct humidity sensor	412
KFF/KFTF	Duct humidity sensor	413
KFF/KFTF-20	Duct humidity sensor	415
KFTF-20-VA	Duct humidity sensor (Stainless steel housing Tyr 2E)	421
KFTF-35	Duct humidity sensor for high humidity	NEW 425
KAVTF	Duct humidity sensor	429

On-wall sensors

AFF/AFTF-SD	On-wall humidity sensor	385
AFF/AFTF	On-wall humidity sensor	390
AFF/AFTF-20	On-wall humidity sensor	393
AFTF-20-VA	On-wall humidity sensor (Stainless steel housing Tyr 2E)	399
AFF/AFTF-25	On-wall humidity sensor, pluggable	391
AFTF-35	On-wall humidity sensor for high humidity	NEW 403
AAVTF	Outdoor humidity sensor	407

Screw-in sensors

ESFTF	Screw-in humidity sensor for pressure systems	NEW 433
-------	--------------------------------------------------	---------

Hygrostats

AH-40	On-wall hygrostat, one-step	453
KH-10	Duct hygrostat, one-step	459
KH-40	Duct hygrostat, one-step	461

Hygrothermostats

RHT-30	Room hygrothermostat, two-step	451
AHT-30	On-wall hygrothermostat, two-step	457
KHT-30	Duct hygrothermostat, two-step	465

Condensation control switch, dew point control switch, leakage sensor

KW-SD	Condensation control switch	468
KW	Condensation control switch	469
TW	Dew point control switch	473
LS	Leakage sensor	475

Immersion sleeves and accessories

see chapter Accessories	638
-------------------------	-----



Humidity

HYGRASGARD® & HYGRASREG®

Sensor technology for humidity and temperature

Broad Spectrum

All our humidity measuring transducers are designed to be multifunctional.

This reduces the diversity of types while expanding their possible applications.

Thanks to microprocessor technology, almost any measuring range can be represented, including custom specifications. Multi-range switching is selectable via DIP switches.

Optimum Precision

These devices are developed and manufactured according to the latest criteria; latest generation digital sensors are installed. All devices are produced at our factory and are calibrated and 100% checked in our climatic exposure test cabinets. Each sensor is precisely re-adjustable using offset potentiometers. Take advantage of our experience, our development, manufacturing and product know-how and order these products directly from the manufacturer.

Tested safety and certified quality



RoHS conforming materials



ESD compliant manufacturing



DIN tested / certified devices



CE conformity



UKCA conformity (UK Conformity Assessed)



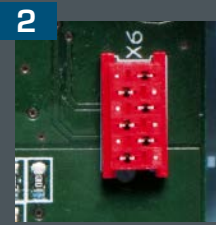
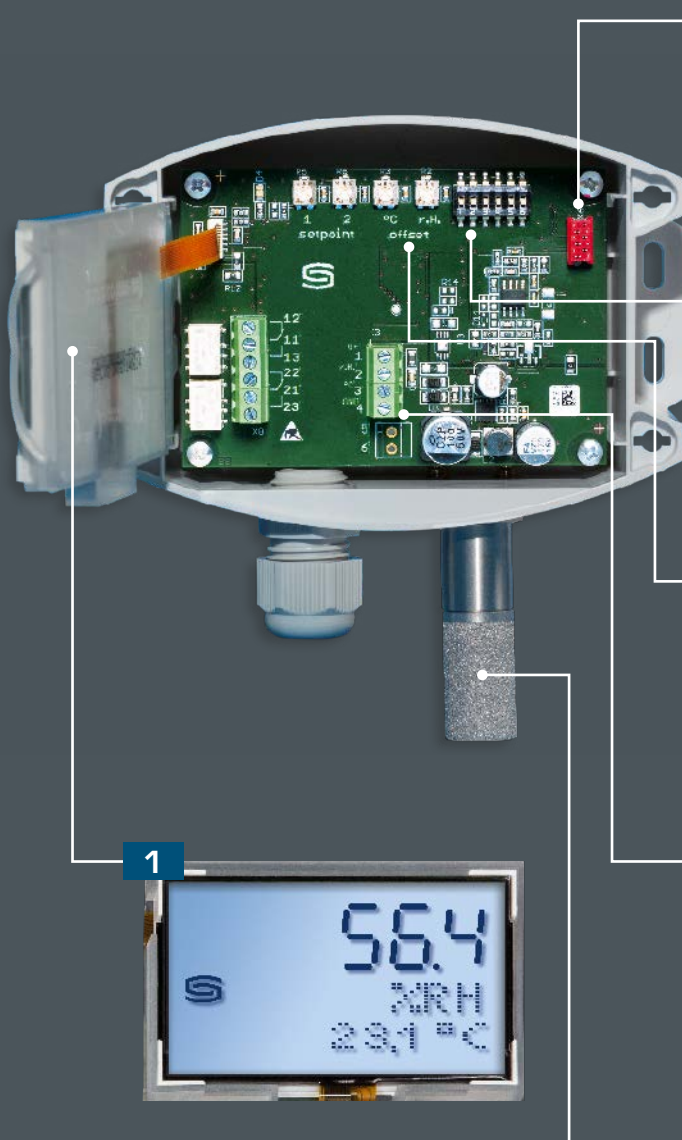
EAC certified



GOST certified

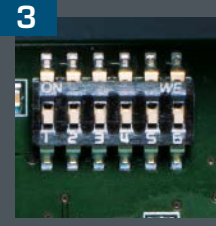
Development, production and sales are certified by TÜV Thüringen according to DIN EN ISO 9001:2015 (quality management) and ISO 14001:2015 (environmental management).

The **HYGRASGARD® 3112** with current output (Test No. D8 0910 69871 003) and the **HYGRASGARD® 3111** with voltage output (Test No. D8 0910 69871 004) are tested and certified according to DIN EN 61326-1:2006 and EN 61326-2-3:2006 by TÜV SÜD.



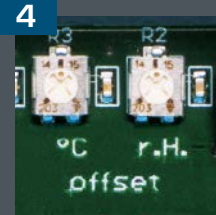
Quality Assurance

Calibration and balancing are done by means of the bus system in climate cabinets



DIP Switches

For multi-range toggling as well as setting of measuring ranges, response times, damping times, units and configuration levels



Offset Potentiometer

For fine adjustment (zero point offset) and readjustment upon recalibration



Screw Terminals

Active output signals 0-10V, 4...20 mA or switched output



Digital Humidity & Temperature Probe

Highly precise, longterm stable and temperature compensated



Extra-Large Display (70 x 40 mm)

With backlighting as well as display of range violation, sensor breakage, sensor short circuit and physical units



**Room humidity and temperature sensors ($\pm 2.0\%$),
on-wall, calibratable,
with active/passive output**

The calibratable room humidity and temperature sensor **HYGRASGARD® RFF/RFTF** measures the relative humidity and/or temperature of air. It converts the measurands humidity and temperature into standard signals of 0-10V or 4...20mA and is available with or without an optional display (for displaying actual humidity and actual temperature) in an elegant housing made of plastic, with snap-on lid, base with 4-hole attachment for installation on vertically or horizontally installed in-wall flush boxes, with predetermined breaking point for on-wall cable entry. The relative humidity (in % RH) is the quotient of water vapour partial pressure divided by the saturation vapour pressure at the respective gas temperature.

It is used in non-aggressive dust-free atmospheres in refrigeration, air conditioning, ventilation and clean room technology, in interior rooms such as residential rooms, offices, hotels, technical rooms, meeting rooms and convention centres. These measuring transducers are designed for exact detection of air temperature and humidity. A digital long-term stable sensor is used as a measuring element for humidity and temperature measurement. Fine adjustment by the user is possible.

TECHNICAL DATA

Power supply:	24 V AC ($\pm 20\%$) and 15...36V DC for U variant 15...36V DC for I variant, depending on working resistance, residual ripple stabilised $\pm 0.3V$
Working resistance:	$R_a \text{ (ohm)} = (U_b - 14V) / 0.02A$ for I variant
Load resistance:	$R_L > 5k\Omega$ for U variant
Power consumption:	$< 1.1VA / 24V DC$; $< 2.2VA / 24V AC$
Sensors:	digital humidity sensor with integrated temperature sensor, small hysteresis, high long-term stability

HUMIDITY

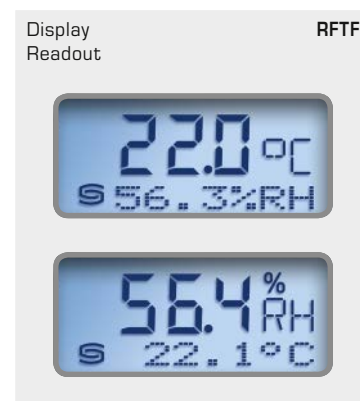
Measuring range, humidity:	0...100% RH (output corresponding to 0 -10 V or 4...20mA)
Operating range, humidity:	0 ... 95% RH (non-precipitating air)
Deviation, humidity:	typically $\pm 2.0\%$ (20...80% RH) at +25 °C, otherwise $\pm 3.0\%$
Output, humidity:	0-10 V for U variant 4...20mA for I variant, working resistance $< 800 \Omega$, see load resistance diagram

TEMPERATURE

Measuring range, temperature:	0...+50 °C (output corresponding to 0 -10V or 4... 20mA or Ohm value) others upon request!
Operating range, temperature:	0...+50 °C
Deviation, temperature:	typically $\pm 0.2K$ at +25 °C
Output, temperature:	0 -10V or 4 ... 20mA or Ohm value
Ambient temperature:	storage -25...+50 °C, operation -5...+55 °C
Electrical connection:	2-, 3- or 4-wire connection (see connecting diagram) 0.14 -1.5 mm ² via terminal screws
Housing:	plastic, material ABS, colour pure white (similar to RAL 9010)
Housing dimensions:	85 x 85 x 27 mm (Baldur 1)
Installation:	wall mounting or on in-wall flush box, $\varnothing 55$ mm, base with 4-hole for mounting on vertically or horizontally installed in-wall flush boxes for cable entry from the back, with predetermined breaking point for on-wall cable entry from top/bottom in case of plain on-wall installation
Long-term stability:	$\pm 1\%$ per year
Protection class:	III (according to EN 60 730)
Protection type:	IP30 (according to EN 60 529)
Standards:	CE conformity, according to EMC directive 2014 / 30 / EU, according to EN 61326-1, according to EN 61326-2-3
Optional:	two-line display with illumination, 36x15 mm (W x H), for displaying ACTUAL temperature and/or ACTUAL humidity

The two-line display readout switches between the ACTUAL humidity reading in % RH and the ACTUAL temperature reading in °C.

Backlighting is installed for better instrument readability.





S+S REGELTECHNIK

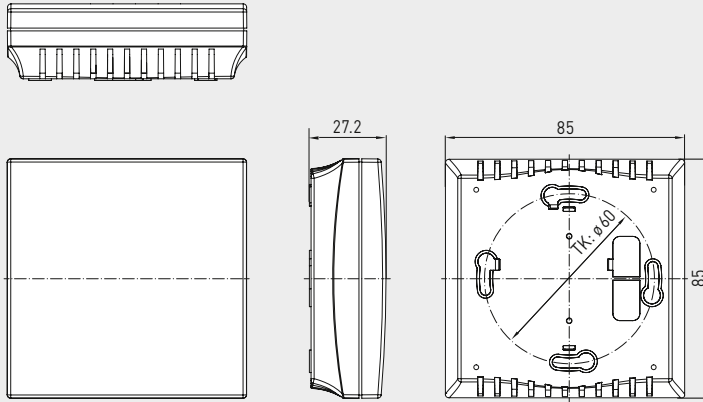
HYGRASGARD® RFF
HYGRASGARD® RFTF

Room humidity and temperature sensors ($\pm 2.0\%$),
on-wall, calibratable,
with active/passive output



Dimensional drawing
(Balduur 1)

RFF
RFTF



RFF
RFTF



RFF
RFTF
without display

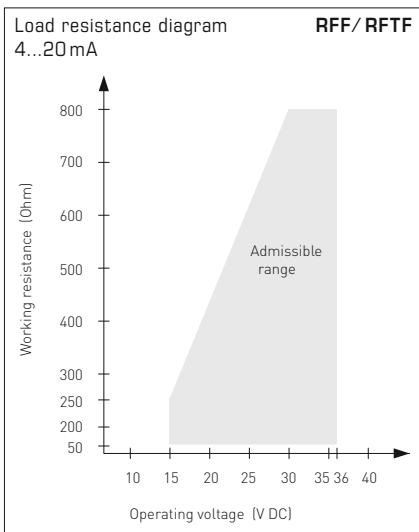
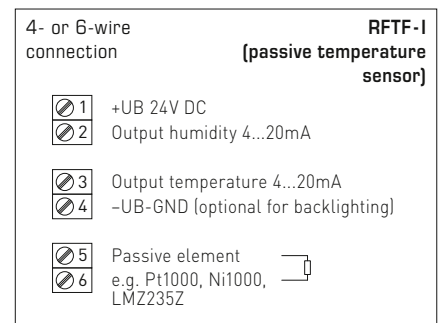
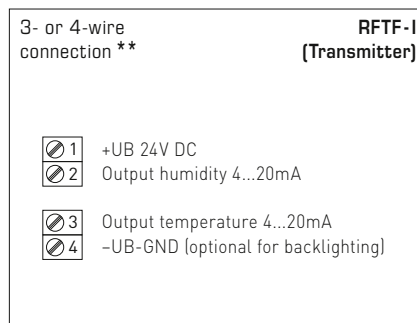
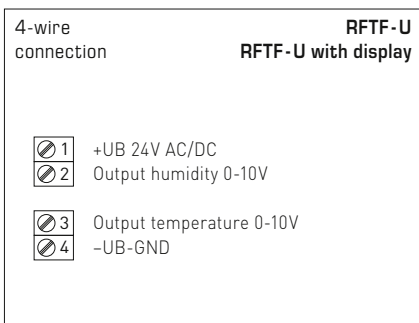
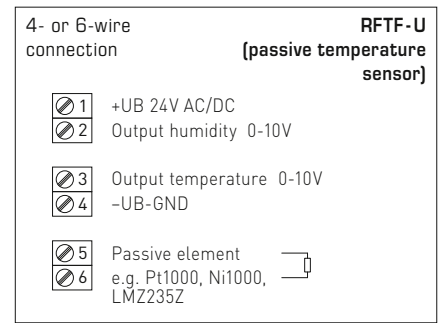
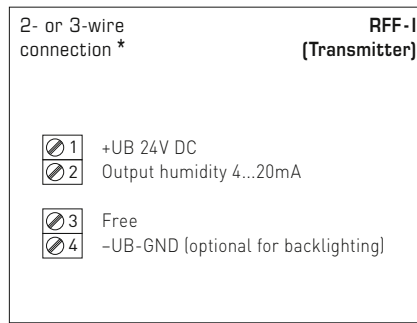
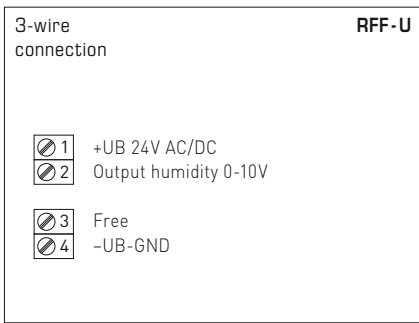
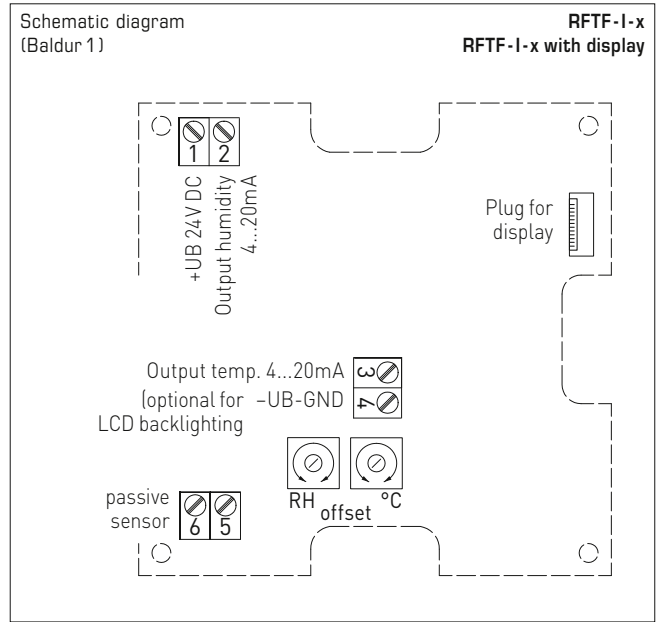
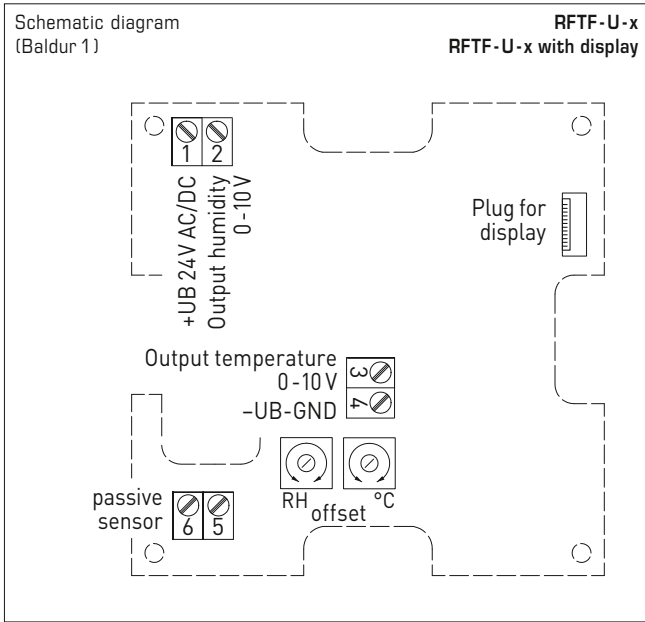
RFF
RFTF
with display



RFF
RFTF
with display



Room humidity and temperature sensors ($\pm 2.0\%$),
on-wall, calibratable,
with active/passive output



Connection*:
2-wire connection for devices with / without display (not illuminated)
3-wire connection for devices with illuminated display

Connection**:
3-wire connection for devices with / without display (not illuminated)
4-wire connection for devices with illuminated display

At the **I variant** the humidity path must be connected!



Humidity table

MR: 0...100% RH

% RH	U _A [V]	I _A [mA]
0	0	4.0
5	0.5	4.8
10	1.0	5.6
15	1.5	6.4
20	2.0	7.2
25	2.5	8.0
30	3.0	8.8
35	3.5	9.6
40	4.0	10.4
45	4.5	11.2
Continued at the right...		

% RH	U _A [V]	I _A [mA]
50	5.0	12.0
55	5.5	12.8
60	6.0	13.6
65	6.5	14.4
70	7.0	15.2
75	7.5	16.0
80	8.0	16.8
85	8.5	17.6
90	9.0	18.4
95	9.5	19.2
100	10.0	20.0

Temperature table

MR: 0...+50°C

°C	U _A [V]	I _A [mA]
0	0.0	4.0
5	1.0	5.6
10	2.0	7.2
15	3.0	8.8
20	4.0	10.4
25	5.0	12.0
30	6.0	13.6
35	7.0	15.2
40	8.0	16.8
45	9.0	18.4
50	10.0	20.0

HYGRASGARD® RFF		Room humidity sensors					
HYGRASGARD® RFTF		Room humidity and temperature sensors					
Type/WG01	Measuring Range / Readout		Output		Display	Item No.	Price
	Humidity	Temperature	Humidity	Temperature		(Baldur 1)	
RFF							(active)
RFF-I	0...100% RH	-	4...20 mA	-		1201-41A2-0000-000	122,48 €
RFF-I LCD	0...100% RH	-	4...20 mA	-	■	1201-41A2-0200-000	179,64 €
RFF-U	0...100% RH	-	0-10 V	-		1201-41A1-0000-000	122,48 €
RFF-U LCD	0...100% RH	-	0-10 V	-	■	1201-41A1-0200-000	179,64 €
RFTF							(active)
RFTF-I	0...100% RH	0...+50°C	4...20 mA	4...20 mA		1201-41A2-1000-000	126,29 €
RFTF-I LCD	0...100% RH	0...+50°C	4...20 mA	4...20 mA	■	1201-41A2-1200-000	183,57 €
RFTF-U	0...100% RH	0...+50°C	0-10 V	0-10 V		1201-41A1-1000-000	126,29 €
RFTF-U LCD	0...100% RH	0...+50°C	0-10 V	0-10 V	■	1201-41A1-1200-000	183,57 €

HYGRASGARD® RFTF-U xx		Room humidity and temperature sensors					
Type/WG01	Measuring Range / Readout		Output			Item No.	Price
	Humidity	Temperature	Humidity	Temperature		(Baldur 1)	
RFTF-U xx							(active/passive)
RFTF-U Pt100	0...100% RH	0...+50°C	0-10 V	0-10 V + Pt100		1201-41A1-2001-000	168,18 €
RFTF-U Pt1000	0...100% RH	0...+50°C	0-10 V	0-10 V + Pt1000		1201-41A1-2005-000	171,65 €
RFTF-U Ni1000	0...100% RH	0...+50°C	0-10 V	0-10 V + Ni1000		1201-41A1-2009-000	172,82 €
RFTF-U NiTK	0...100% RH	0...+50°C	0-10 V	0-10 V + Ni1000TK5000		1201-41A1-2010-000	173,07 €
RFTF-U LM235Z	0...100% RH	0...+50°C	0-10 V	0-10 V + LM235Z, 10mV/K		1201-41A1-2021-000	172,42 €
RFTF-U xx							(active/passive)
RFTF-U NTC1,8K	0...100% RH	0...+50°C	0-10 V	0-10 V + NTC 1,8kOhm		1201-41A1-2012-000	172,96 €
RFTF-U NTC10K	0...100% RH	0...+50°C	0-10 V	0-10 V + NTC 10kOhm		1201-41A1-2015-000	169,20 €
RFTF-U NTC20K	0...100% RH	0...+50°C	0-10 V	0-10 V + NTC 20kOhm		1201-41A1-2016-000	169,20 €
Extra charge:	Two-line display with illumination						51,32 €

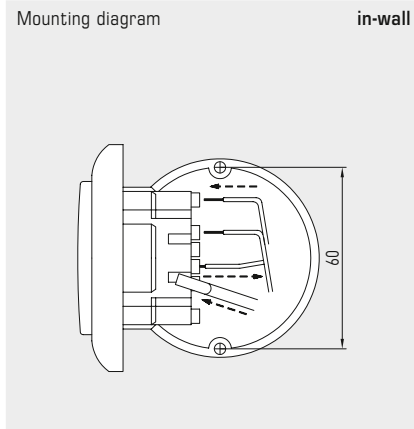
**Room humidity and temperature sensor or measuring transducer,
in-wall in the panel switch programme,
with active output**

The room sensor **HYGRASGARD® FSFM / FSFTM** in the in-wall housing is used for measuring the relative humidity and temperature of the air. It converts the measured values into a standard signal of 0-10 V.

A digital, long-term stable sensor is used for humidity and temperature measurement. Relative humidity [% RH] is the quotient of water vapour partial pressure divided by the saturation vapour pressure at the respective gas temperature.

The in-wall sensor is mounted in high-quality panel switch programmes, ideally of the brands Gira, Berker, Merten, Jung, Siemens or Busch-Jaeger (using in-wall adapters) either individually or in combination with light switches, socket outlets, etc.

It is used in non-aggressive, dust-free environments, in refrigeration, air conditioning and clean room technology, and in interior rooms, such as living rooms, offices, hotels, etc



TECHNICAL DATA

Power supply:	24 V AC / DC (± 10 %)
Power consumption:	< 1.1 W / 24 V DC ; < 2.2 VA / 24 V AC

HUMIDITY

Sensor:	digital humidity sensor, with integrated temperature sensor, low hysteresis, high long-term stability
Long-term stability:	± 1 % per year
Measuring range, humidity:	0...100 % RH
Operating range, humidity:	0...95 % RH (non-precipitating air)
Deviation, humidity:	typically ± 3.0 % (20...80 % RH) at +25 °C, otherwise ± 5.0 %
Output, humidity:	0-10 V

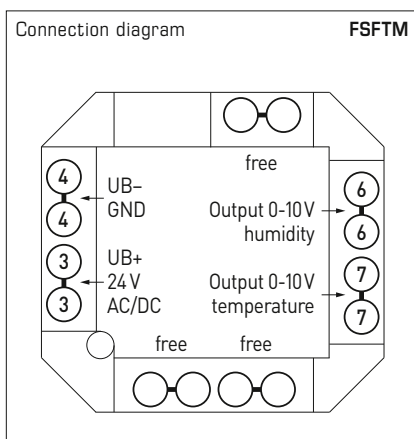
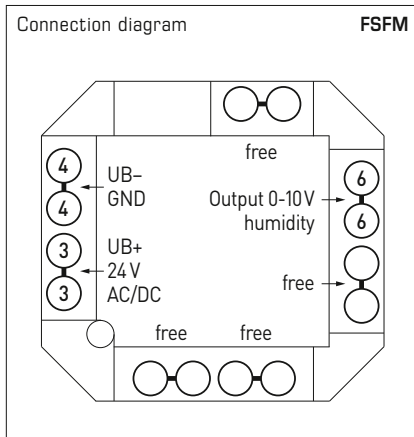
TEMPERATURE

Measuring range:	0...+50 °C
Deviation, temperature:	typically ± 0.8 K at +25 °C
Output, temperature:	0-10 V

Mounting:	in-wall flush box Ø 55 mm
Electrical connection:	1.0-2.5 mm ² , via plug terminals
Ambient temperature:	Storage -35...+85 °C; Operation 0...+50 °C
Permitted humidity:	max. 90 % RH, non-precipitating air
Medium:	clean air and other non-aggressive, non-combustible gases
Protection class:	III (according to EN 60 730)
Protection type:	IP 20 (according to 60 529)
Standards:	CE-conformity, electromagnetic compatibility according to EN 61 326, EMC Directive 2014 / 30 / EU

SWITCH PROGRAMME

Manufacturer:	GIRA System 55 (other switch programmes, manufacturers, colours as well as prices available upon request)
Housing:	plastic, the standard colour is pure glossy white (similar to RAL 9010) (other colours are available upon request with colour variants depending on the respective light switch programme)

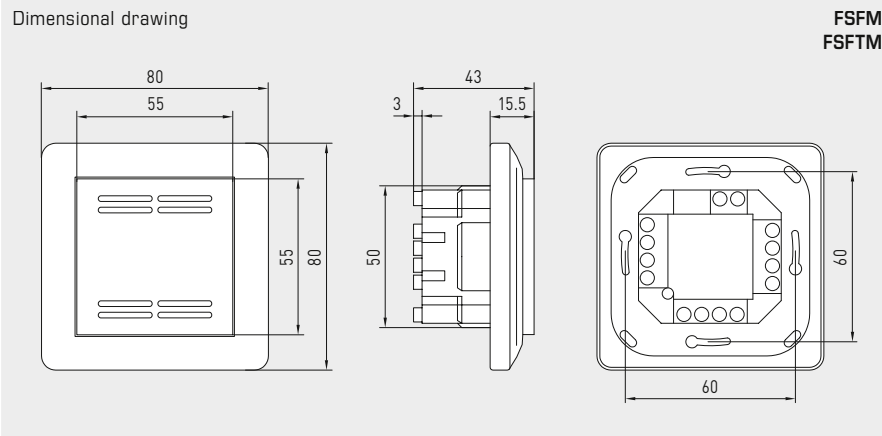




S+S REGELTECHNIK

HYGRASGARD® FSFM
HYGRASGARD® FSFTM

Room humidity and temperature sensor or measuring transducer,
in-wall in the panel switch programme,
with active output



FSFM
FSFTM

FSFM
FSFTM



Humidity table
MR: 0...100% RH

% RH	U _A [V]
0	0
5	0.5
10	1.0
15	1.5
20	2.0
25	2.5
30	3.0
35	3.5
40	4.0
45	4.5

Continued to the right ...

% RH	U _A [V]
50	5.0
55	5.5
60	6.0
65	6.5
70	7.0
75	7.5
80	8.0
85	8.5
90	9.0
95	9.5
100	10.0

Temperature table
MR: 0...+50 °C

°C	U _A [V]
0	0.0
5	1.0
10	2.0
15	3.0
20	4.0
25	5.0
30	6.0
35	7.0
40	8.0
45	9.0
50	10.0

HYGRASGARD® FSFM Room humidity sensor or measuring transducer, in-wall
HYGRASGARD® FSFTM Room humidity and temperature sensor or measuring transducer, in-wall

Type / WG02	Measuring Range		Output		Item No.	Price
	Humidity	Temperature	Humidity	Temperature		
FSFM						
FSFM-U	0...100% RH	-	0-10 V	-	1201-9121-0000-162	246,67 €
FSFTM						
FSFTM-U	0...100% RH	0...+50 °C	0-10 V	0-10 V	1201-9121-1000-162	254,00 €



**In-ceiling humidity and temperature sensors ($\pm 2.0\%$),
calibratable, with multi-range switching
and active output**

The calibratable humidity and temperature sensor **HYGRASGARD® DFF / DFTF** measures the relative humidity and temperature of air. It converts the measurands into a standard signal of 0-10 V or 4...20 mA, and is available with / without an optional display.

It is equipped with four switchable temperature ranges. Relative humidity (in % RH) is the quotient of water vapour partial pressure divided by the saturation vapour pressure at the respective gas temperature. The measuring transducers are designed for exact detection of temperature and humidity. A digital, long-term stable sensor is used as a measuring element for humidity and temperature measurement. The sensor is factory-calibrated; an environmental precision adjustment by an expert is possible.

The ceiling-installed sensor is used in non-aggressive, dust-free environments and is used for installation in suspended ceilings in corridors, offices, as well as in residential and commercial buildings. The connecting head is pluggable for quick, easy mounting.

The measuring transducer is accommodated in a separate housing.

**DFF
DFTF**



TECHNICAL DATA

Power supply:	24 V AC ($\pm 20\%$) and 15...36 V DC for U variant 15...36 V DC for I variant, depending on working resistance, residual ripple stabilised $\pm 0.3V$
Working resistance:	R_a (Ohm) = $(U_b - 14 V) / 0.02 A$ for I variant
Load resistance:	$R_L > 5 k\Omega$ for U variant
Power consumption:	$< 1.1 VA / 24 V DC$; $< 2.2 VA / 24 V AC$
Sensors:	digital humidity sensor with integrated temperature sensor, low hysteresis, high long-term stability

HUMIDITY

Measuring range, humidity:	0...100% RH (output corresponding to 0-10 V or 4...20 mA)
Operating range, humidity:	0...95% RH (without formation of dew)
Deviation in humidity:	typically $\pm 2.0\%$ (20...80% RH) at $+25^\circ C$, otherwise $\pm 3.0\%$
Output, humidity:	0-10 V for U variant 4...20 mA for I variant, see load resistance diagram

TEMPERATURE

Measuring range, temperature:	multi-range switching with 4 switchable measuring ranges (see table) $-35...+35^\circ C$; $-35...+75^\circ C$; $0...+50^\circ C$; $0...+80^\circ C$ (output corresponding to 0-10 V or 4...20 mA)
Deviation temperature:	typically $\pm 0.2K$ at $+25^\circ C$
Output, temperature:	0-10 V or 4...20 mA
Ambient temperature:	storage $-5...+60^\circ C$; operation $-5...+60^\circ C$
Long-term stability:	$\pm 1\%$ per year
Housing:	plastic, UV-resistant, material polyamide, 30% glass-globe reinforced, with quick-locking screws (slotted / Phillips head combination), colour traffic white (similar to RAL 9016), housing cover for display is transparent!
Housing dimensions:	72 x 64 x 37.8 mm (Tyr 1 without display) 72 x 64 x 43.3 mm (Tyr 1 with display)
Cable connection:	cable gland , plastic (M 16 x 1.5; with strain relief, exchangeable, max. inner diameter 10.4 mm) or M12 connector according to DIN EN 61076-2-101 (optional on request)
Electrical connection:	2-, 3- or 4-wire (see connecting diagram), 0.14 - 1.5 mm ² , via terminal screws
Connecting cable:	PVC, LiYY, 4 x 0.14 mm ² , cable length (KL) = approx. 2 m
Connecting head:	made of plastic, material polycarbonate (PC), colour white, pluggable , \varnothing = approx. 35 mm, H = approx. 29 mm, with metal sinter filter made of stainless steel V4A (1.4404)
Mounting (sensor):	in the suspended ceiling, ceiling cut-out $\varnothing = 30$ mm, cover $\varnothing = < 35$ mm
Protection class:	III (according to EN 60 730)
Protection type:	IP 65 (according EN 60 529) Housing IP 30 (according EN 60 529) Sensor in the built-in state
Standards:	CE conformity according to EMC Directive 2014 / 30 / EU, according to EN 61326-1, according to EN 61326-2-3
Optional:	two-line display with illumination , cutout approx. 36 x 15 mm (W x H), to display the ACTUAL temperature and / or ACTUAL humidity

**DFF
DFTF**
Connecting head,
pluggable

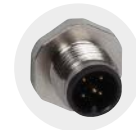
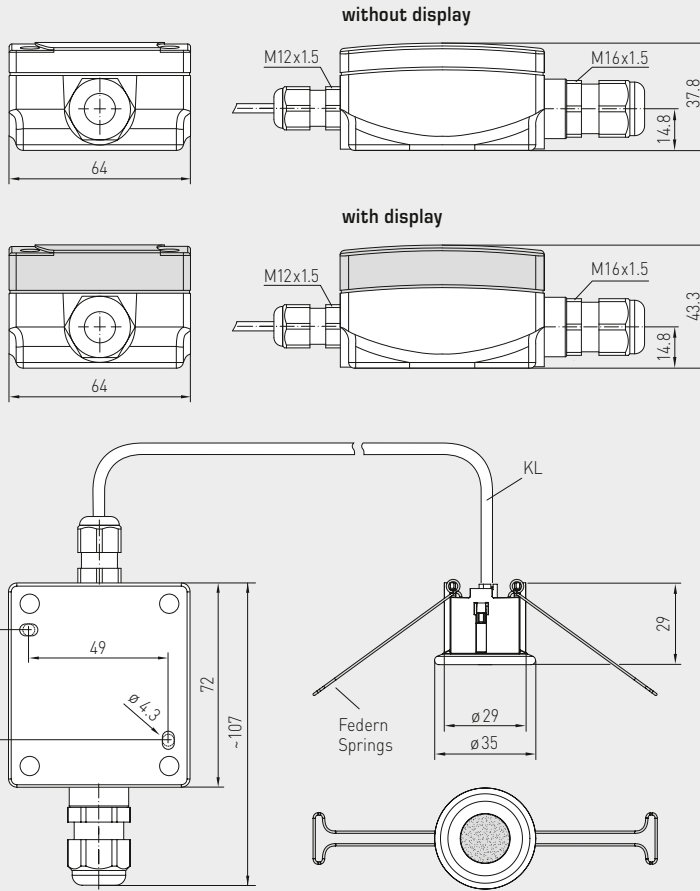




Dimensional drawing

DFF
DFTF

DFF
DFTF
with display



M12 connector
(optional on request)

Temperature table
MR: -35...+75 °C

°C	U _A [V]	I _A [mA]
-35	0.0	4.0
-30	0.5	4.7
-25	0.9	5.5
-20	1.4	6.2
-15	1.8	6.9
-10	2.3	7.6
-5	2.7	8.4
0	3.2	9.1
5	3.6	9.8
10	4.1	10.5
15	4.5	11.3
20	5.0	12.0
25	5.5	12.7
30	5.9	13.5
35	6.4	14.2
40	6.8	14.9
45	7.3	15.6
50	7.7	16.4
55	8.2	17.1
60	8.6	17.8
65	9.1	18.5
70	9.5	19.2
75	10.0	20.0

Temperature table
MR: -35...+35 °C

°C	U _A [V]	I _A [mA]
-35	0.0	4.0
-30	0.7	5.1
-25	1.4	6.3
-20	2.1	7.4
-15	2.9	8.6
-10	3.6	9.7
-5	4.3	10.9
0	5.0	12.0
5	5.7	13.1
10	6.4	14.3
15	7.1	15.4
20	7.9	16.6
25	8.6	17.7
30	9.3	18.9
35	10.0	20.0

Temperature table
MR: 0...+50 °C

°C	U _A [V]	I _A [mA]
0	0.0	4.0
5	1.0	5.6
10	2.0	7.2
15	3.0	8.8
20	4.0	10.4
25	5.0	12.0
30	6.0	13.6
35	7.0	15.2
40	8.0	16.8
45	9.0	18.4
50	10.0	20.0

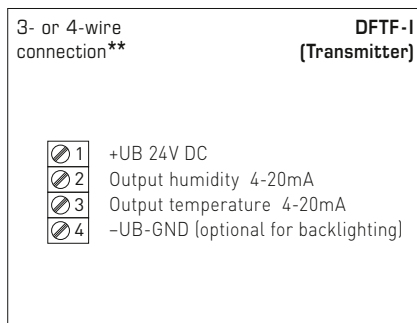
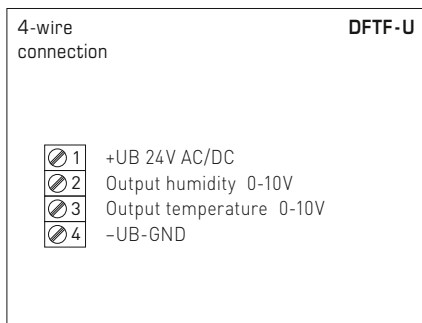
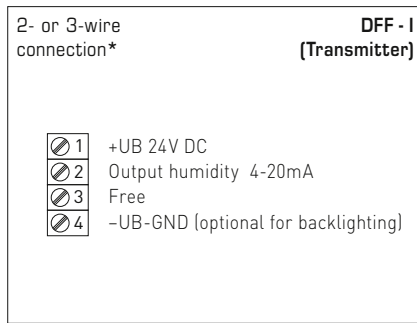
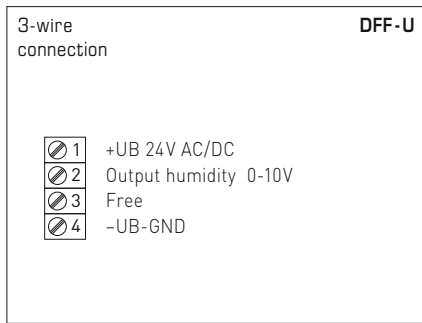
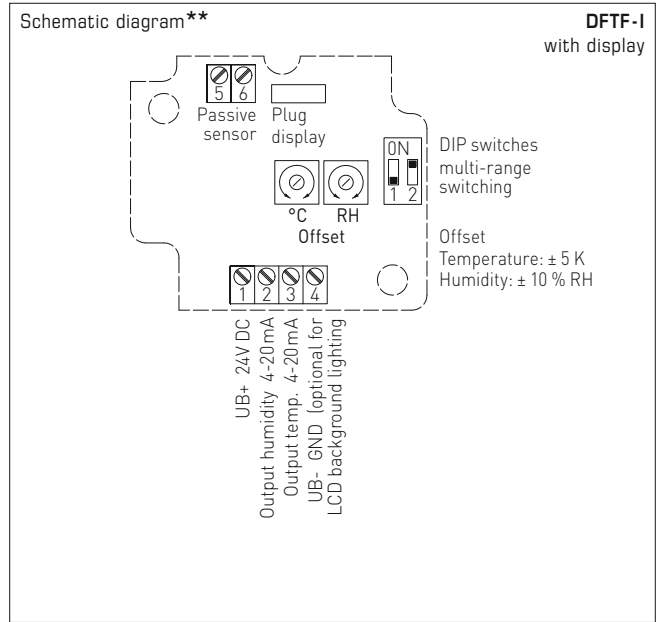
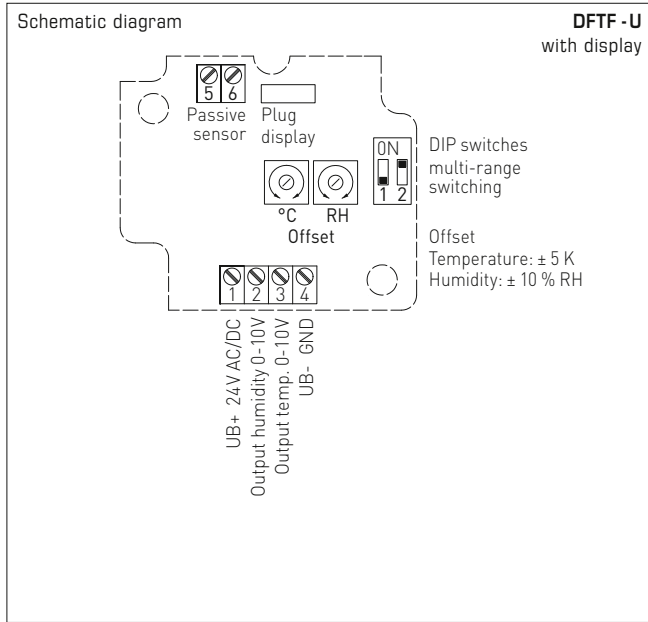
Temperature table
MR: 0...+80 °C

°C	U _A [V]	I _A [mA]
0	0.0	4.0
5	0.6	5.0
10	1.3	6.0
15	1.9	7.0
20	2.5	8.0
25	3.1	9.0
30	3.8	10.0
35	4.4	11.0
40	5.0	12.0
45	5.6	13.0
50	6.3	14.0
55	6.9	15.0
60	7.5	16.0
65	8.1	17.0
70	8.8	18.0
75	9.4	19.0
80	10.0	20.0

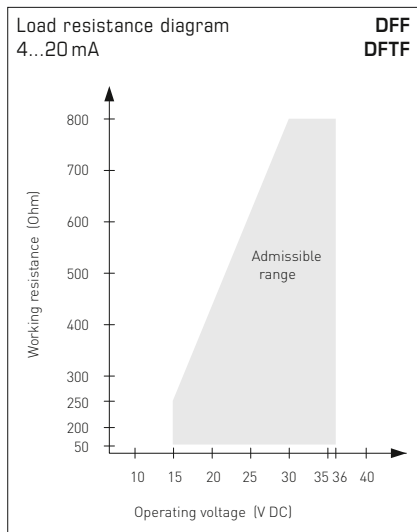
Humidity table
MR: 0...100% RH

% RH	U _A [V]	I _A [mA]
0	0.0	4.0
5	0.5	4.8
10	1.0	5.6
15	1.5	6.4
20	2.0	7.2
25	2.5	8.0
30	3.0	8.8
35	3.5	9.6
40	4.0	10.4
45	4.5	11.2
50	5.0	12.0
55	5.5	12.8
60	6.0	13.6
65	6.5	14.4
70	7.0	15.2
75	7.5	16.0
80	8.0	16.8
85	8.5	17.6
90	9.0	18.4
95	9.5	19.2
100	10.0	20.0

In-ceiling humidity and temperature sensors ($\pm 2.0\%$),
calibratable, with multi-range switching
and active output



Temperature measuring ranges (adjustable)	DIP 1	DIP 2
-35...+75 °C	ON	ON
-35...+35 °C	OFF	OFF
0...+50 °C (default)	OFF	ON
0...+80 °C	ON	OFF



Connection*:
2-wire connection for devices with / without display (not illuminated)
3-wire connection for devices with illuminated display

Connection**:
3-wire connection for devices with / without display (not illuminated)
4-wire connection for devices with illuminated display

For the **I variant** the humidity path must be connected!



S+S REGELTECHNIK

HYGRASGARD® DFF
HYGRASGARD® DFTF

In-ceiling humidity and temperature sensors ($\pm 2.0\%$),
calibratable, with multi-range switching
and active output

DFF
DFTF
with display



HYGRASGARD® DFF		In-ceiling humidity sensors ($\pm 2.0\%$), Premium				
HYGRASGARD® DFTF		In-ceiling humidity and temperature sensors ($\pm 2.0\%$), Premium				
Type / WG01	Measuring Range / Readout	Output	Display	Item No.	Price	
	Humidity	Humidity	Humidity			
	Temperature	Temperature	Temperature			
DFF-I I-variant						
DFF-I	0...100% RH	–	4...20mA	–	1201-6132-0000-100 352,92 €	
DFF-I LCD	0...100% RH	–	4...20mA	–	■ 1201-6132-0200-100 412,75 €	
DFF-U U-variant						
DFF-U	0...100% RH	–	0-10V	–	1201-6131-0000-100 352,92 €	
DFF-U LCD	0...100% RH	–	0-10V	–	■ 1201-6131-0200-100 412,75 €	
DFTF-I I-variant						
DFTF-I	0...100% RH	–35...+75 °C –35...+35 °C 0...+50 °C 0...+80 °C	4...20mA	4...20mA	1201-6132-1000-100 361,47 €	
DFTF-I LCD	0...100% RH	(4x as above)	4...20mA	4...20mA	■ 1201-6132-1200-100 421,31 €	
DFTF-U U-variant						
DFTF-U	0...100% RH	–35...+75 °C –35...+35 °C 0...+50 °C 0...+80 °C	0-10V	0-10V	1201-6131-1000-100 361,47 €	
DFTF-U LCD	0...100% RH	(4x as above)	0-10V	0-10V	■ 1201-6131-1200-100 421,31 €	
Optional:	Cable connection with M12 connector according to DIN EN 61076-2-101				on request	

On-wall humidity and temperature sensors ($\pm 2.0\%$), compact form, calibratable, with multi-range switching and active output

The calibratable outdoor humidity/temperature sensors **HYGRASGARD® AFF-SD/AFTF-SD** measure the relative humidity and/or temperature of air. They convert the measurands into standard signals of 0-10 V or 4...20 mA and are available with or without an optional display. Terminal box housing made of impact-resistant plastic with housing cover with quick-locking screws. They have four switchable temperature ranges and are applied in non-aggressive dust-free atmospheres in refrigeration, air conditioning, ventilation and clean room technology. Relative humidity (in % RH) is the quotient of water vapour partial pressure divided by the saturation vapour pressure at the respective gas temperature. These measuring transducers are designed for precise detection of humidity. A digital long-term stable sensor is used as a measuring element for humidity measurement. The sensor is factory-calibrated; an environmental precision adjustment by an expert is possible.

AFF-SD
AFTF-SD
compact form



SF-M
Metal sinter filter (optional)



TECHNICAL DATA

Power supply:	24 V AC ($\pm 20\%$); 15...36 V DC for U variant 15...36 V DC for I variant, depending on working resistance, residual ripple stabilised ± 0.3 V
Working resistance:	R_a (ohm) = $(U_b - 14 \text{ V}) / 0.02 \text{ A}$ for I variant
Load resistance:	$R_L > 5 \text{ k}\Omega$ for U variant
Power consumption:	$< 1.1 \text{ VA} / 24 \text{ V DC}$; $< 2.2 \text{ VA} / 24 \text{ V AC}$
Sensors:	digital humidity sensor with integrated temperature sensor, low hysteresis, high long-term stability
Sensor protection:	plastic sinter filter, $\varnothing 16 \text{ mm}$, $L = 35 \text{ mm}$, exchangeable (optional metal sinter filter, $\varnothing 16 \text{ mm}$, $L = 32 \text{ mm}$)

HUMIDITY

Measuring range, humidity:	0...100% RH (output corresponding to 0-10 V or 4...20 mA)
Operating range, humidity:	0...95% RH (without dew formation)
Deviation, humidity:	typically $\pm 2.0\%$ (20...80% RH) at $+25^\circ\text{C}$, otherwise $\pm 3.0\%$
Output, humidity:	0-10 V for U variant 4...20 mA for I variant, see load resistance diagram

TEMPERATURE

Measuring range, temperature:	multi-range switching (see table) $-35...+35^\circ\text{C}$; $-35...+75^\circ\text{C}$; $0...+50^\circ\text{C}$; $0...+80^\circ\text{C}$ (output corresponding to 0-10 V or 4...20 mA)
Deviation, temperature:	typically $\pm 0.6 \text{ K}$ at $+25^\circ\text{C}$
Output, temperature:	0-10 V or 4...20 mA or Ohm value
Ambient temperature:	storage $-35...+85^\circ\text{C}$, operation $-30...+70^\circ\text{C}$, non-precipitating
Electrical connection:	2-, 3-, or 4-wire connection (see connecting diagram), 0.14 - 1.5 mm ² , via terminal screws
Housing:	plastic, UV-resistant, material polyamide, 30% glass-globe reinforced, with quick-locking screws (slotted/Phillips head combination), colour traffic white (similar to RAL 9016), housing cover for display is transparent!
Housing dimensions:	72 x 64 x 37.8 mm (Tyr 1 without display) 72 x 64 x 43.3 mm (Tyr 1 with display)
Cable connection:	cable gland , plastic (M 16 x 1.5; with strain relief, exchangeable, max. inner diameter 10.4 mm) or M12 connector according to DIN EN 61076-2-101 (optional on request)
Protective tube:	stainless steel V2A (1.4301), $\varnothing = 16 \text{ mm}$, $NL = 55 \text{ mm}$
Process connection:	by screws
Long-term stability:	$\pm 1\%$ per year
Protection class:	III (according to EN 60 730)
Protection type:	IP 65 (according to EN 60 529) Housing tested, TÜV SÜD, Report No. 713139052 (Tyr 1)
Standards:	CE conformity, according to EMC directive 2014/30/EU, according to EN 61326-1, according to EN 61326-2-3
Optional:	two-line display with illumination , cutout approx. 36 x 15 mm (W x H), for displaying ACTUAL temperature and/or ACTUAL humidity

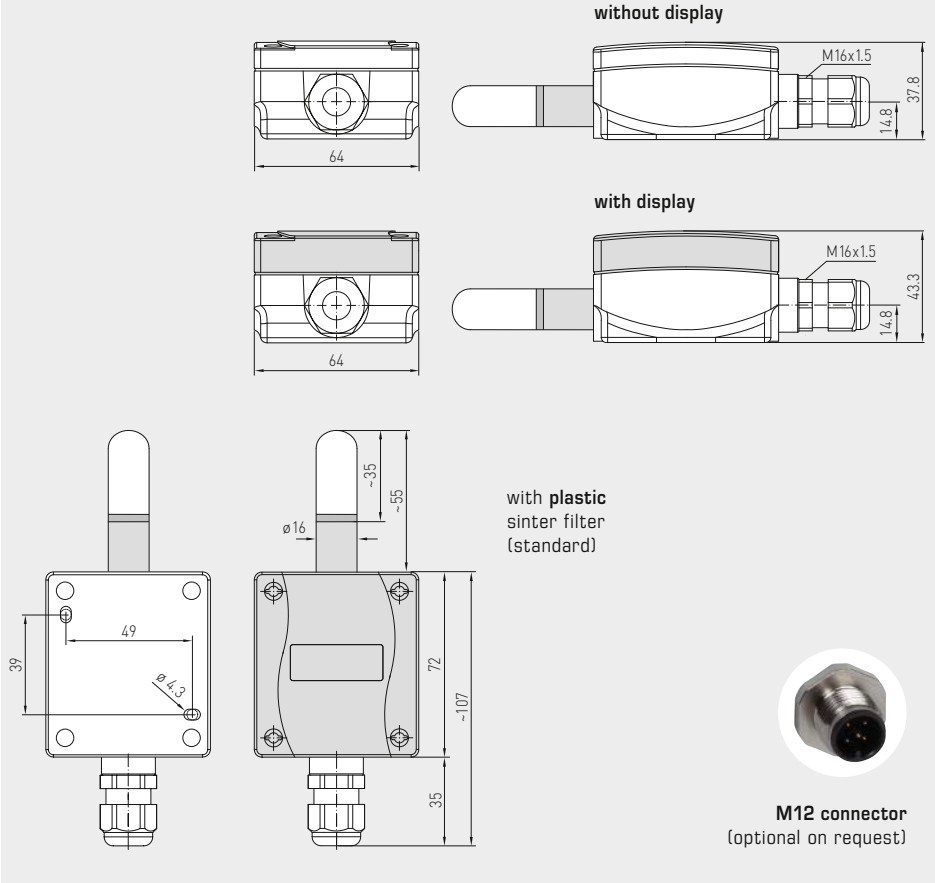
ACCESSORIES see last chapter



Dimensional drawing

AFF-SD
AFTF-SD

AFF-SD
AFTF-SD
compact form
with display



SF-M
Metal sinter filter
(optional)



Temperature table
MR: -35...+75 °C

°C	U _A [V]	I _A [mA]
-35	0.0	4.0
-30	0.5	4.7
-25	0.9	5.5
-20	1.4	6.2
-15	1.8	6.9
-10	2.3	7.6
-5	2.7	8.4
0	3.2	9.1
5	3.6	9.8
10	4.1	10.5
15	4.5	11.3
20	5.0	12.0
25	5.5	12.7
30	5.9	13.5
35	6.4	14.2
40	6.8	14.9
45	7.3	15.6
50	7.7	16.4
55	8.2	17.1
60	8.6	17.8
65	9.1	18.5
70	9.5	19.2
75	10.0	20.0

Temperature table
MR: -35...+35 °C

°C	U _A [V]	I _A [mA]
-35	0.0	4.0
-30	0.7	5.1
-25	1.4	6.3
-20	2.1	7.4
-15	2.9	8.6
-10	3.6	9.7
-5	4.3	10.9
0	5.0	12.0
5	5.7	13.1
10	6.4	14.3
15	7.1	15.4
20	7.9	16.6
25	8.6	17.7
30	9.3	18.9
35	10.0	20.0

Temperature table
MR: 0...+50 °C

°C	U _A [V]	I _A [mA]
0	0.0	4.0
5	1.0	5.6
10	2.0	7.2
15	3.0	8.8
20	4.0	10.4
25	5.0	12.0
30	6.0	13.6
35	7.0	15.2
40	8.0	16.8
45	9.0	18.4
50	10.0	20.0

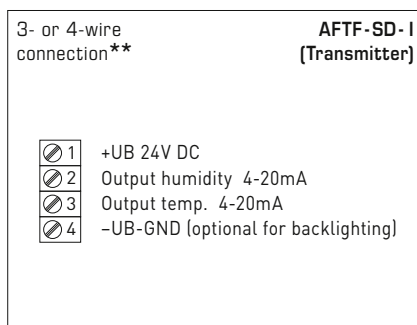
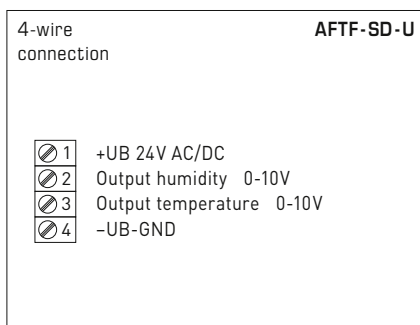
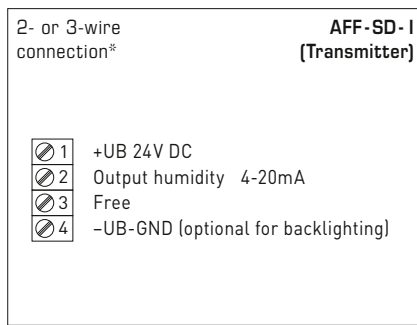
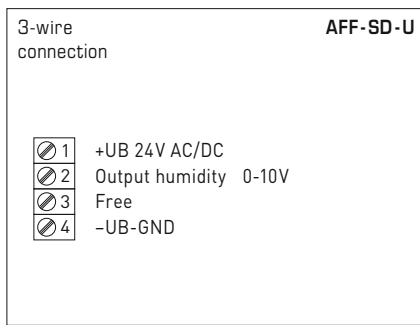
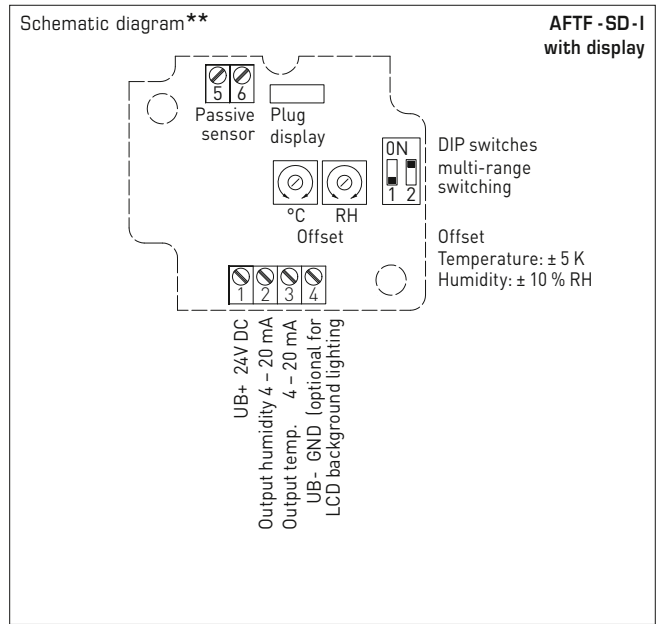
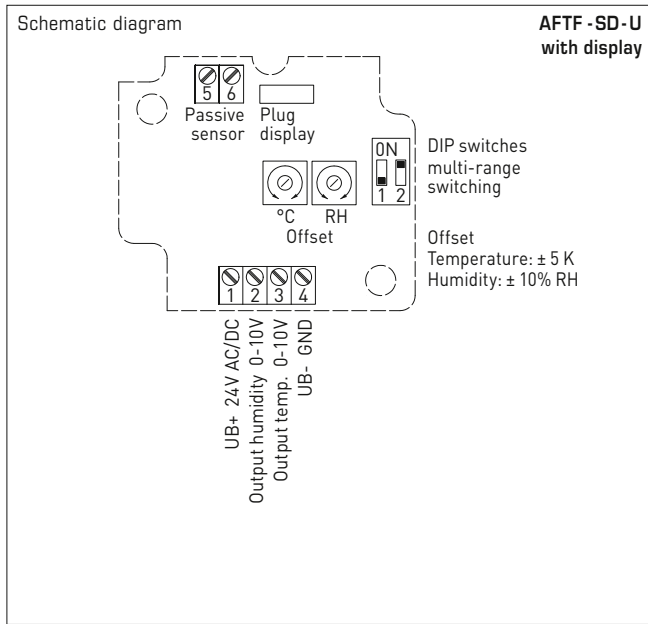
Temperature table
MR: 0...+80 °C

°C	U _A [V]	I _A [mA]
0	0.0	4.0
5	0.6	5.0
10	1.3	6.0
15	1.9	7.0
20	2.5	8.0
25	3.1	9.0
30	3.8	10.0
35	4.4	11.0
40	5.0	12.0
45	5.6	13.0
50	6.3	14.0
55	6.9	15.0
60	7.5	16.0
65	8.1	17.0
70	8.8	18.0
75	9.4	19.0
80	10.0	20.0

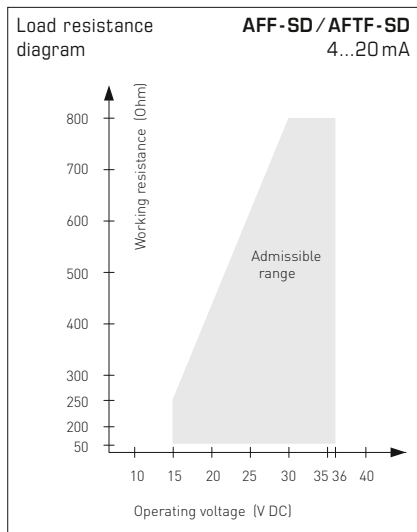
Humidity table
MR: 0...100% RH

% RH	U _A [V]	I _A [mA]
0	0.0	4.0
5	0.5	4.8
10	1.0	5.6
15	1.5	6.4
20	2.0	7.2
25	2.5	8.0
30	3.0	8.8
35	3.5	9.6
40	4.0	10.4
45	4.5	11.2
50	5.0	12.0
55	5.5	12.8
60	6.0	13.6
65	6.5	14.4
70	7.0	15.2
75	7.5	16.0
80	8.0	16.8
85	8.5	17.6
90	9.0	18.4
95	9.5	19.2
100	10.0	20.0

On-wall humidity and temperature sensors ($\pm 2.0\%$), compact form, calibratable, with multi-range switching and active output



Temperature measuring ranges (adjustable)	DIP 1	DIP 2
-35...+75 °C	ON	ON
-35...+35 °C	OFF	OFF
0...+50 °C (default)	OFF	ON
0...+80 °C	ON	OFF



Connection*:
2-wire connection for devices with / without display (not illuminated)
3-wire connection for devices with illuminated display

Connection:**
3-wire connection for devices with / without display (not illuminated)
4-wire connection for devices with illuminated display

For the **I variant** the humidity path must be connected!



WS-04

Weather and sun protection hood (optional)

AFF-SD
AFTF-SD
compact form with display



HYGRASGARD® AFF-SD On-wall humidity sensors, compact form ($\pm 2.0\%$), *Standard*
HYGRASGARD® AFTF-SD On-wall humidity and temperature sensors, compact form ($\pm 2.0\%$), *Standard*

Type/ WG01B	Measuring Range/ Readout		Output		Display	Item No.	Price
	Humidity	Temperature	Humidity	Temperature			
AFF-SD-I							I-variant
AFF-SD-I	0...100% RH	-	4...20 mA	-		1201-1122-0000-100	186,19 €
AFF-SD-I LCD	0...100% RH	-	4...20 mA	-	■	1201-1122-0200-000	238,65 €
AFF-SD-U							U-variant
AFF-SD-U	0...100% RH	-	0-10 V	-		1201-1121-0000-100	186,19 €
AFF-SD-U LCD	0...100% RH	-	0-10 V	-	■	1201-1121-0200-000	238,65 €
AFTF-SD-I							I-variant
AFTF-SD-I	0...100% RH	-35...+75 °C -35...+35 °C 0...+50 °C 0...+80 °C	4...20 mA	4...20 mA		1201-1122-1000-100	190,13 €
AFTF-SD-I LCD	0...100% RH	-35...+75 °C -35...+35 °C 0...+50 °C 0...+80 °C	4...20 mA	4...20 mA	■	1201-1122-1200-100	242,57 €
AFTF-SD-U							U-variant
AFTF-SD-U	0...100% RH	-35...+75 °C -35...+35 °C 0...+50 °C 0...+80 °C	0-10 V	0-10 V		1201-1121-1000-100	190,13 €
AFTF-SD-U LCD	0...100% RH	-35...+75 °C -35...+35 °C 0...+50 °C 0...+80 °C	0-10 V	0-10 V	■	1201-1121-1200-100	242,57 €
Optional:	Cable connection with M12 connector according to DIN EN 61076-2-101						on request

ACCESSORIES								
SF-M	Metal sinter filter, \varnothing 16 mm, L = 32 mm, exchangeable stainless steel V4A (1.4404)						7000-0050-2200-100	43,60 €
WS-01	Sun and ball-impact protection hood, 184 x 180 x 80 mm, stainless steel V2A (1.4301)						7100-0040-2000-000	32,72 €
WS-04	Weather and sun protection hood, 130 x 180 x 135 mm, stainless steel V2A (1.4301)						7100-0040-7000-000	38,61 €
For further information, see last chapter Accessories!								

On-wall humidity and temperature sensors ($\pm 1.8\%$ / $\pm 2.0\%$),
calibratable, with multi-range switching
and active/passive output

Calibratable outdoor humidity/temperature sensor **HYGRASGARD® AFF/AFTF** ($\pm 2.0\%$) and **AFF-20/AFTF-20** ($\pm 1.8\%$) with plastic sinter filter (optional metal sinter filter) or **AFF-25/AFTF-25** ($\pm 1.8\%$) with pluggable measuring head with metal sinter filter; housing made of impact-resistant plastic with quick-locking screws, optionally with /without display, with cable gland (optional M12 connector according to DIN EN 61076-2-101).

It measures the relative humidity and/or temperature of the air and converts the measurand into a standard signal of 0 - 10V or 4...20 mA. They have four switchable temperature ranges and are applied in non-aggressive, dust-free atmospheres in refrigeration, air conditioning, ventilation and clean room technology. Relative humidity (in % RH) is the quotient of water vapour partial pressure divided by the saturation vapour pressure at the respective gas temperature. These measuring transducers are designed for exact detection of humidity. A digital long-term stable sensor is used as measuring element for humidity measurement. The sensor is factory-calibrated; an environmental precision adjustment by an expert is possible.

AFF / AFTF ($\pm 2.0\%$)
with plastic sinter filter
(standard)



AFF-20 / AFTF-20 ($\pm 1.8\%$)
with plastic sinter filter
(standard)



AFF-25 / AFTF-25 ($\pm 1.8\%$)
pluggable measuring head
with metal sinter filter



TECHNICAL DATA

Power supply: 24 V AC ($\pm 20\%$); 15...36 V DC for U variant
15...36 V DC for I variant,
depending on working resistance, residual ripple stabilised ± 0.3 V

Working resistance: R_b (ohm) = $(U_b - 14 V) / 0.02 A$ for I variant, see load resistance diagram

Load resistance: $R_L > 5 k\Omega$ for U variant

Power consumption: $< 1.1 VA / 24 V DC$; $< 2.2 VA / 24 V AC$

Sensors: **digital humidity sensor with integrated temperature sensor**,
low hysteresis, high long-term stability

HUMIDITY

Measuring range, humidity: 0...100% RH

Permitted humidity: $< 95\%$ RH, non-precipitating air

Deviation in humidity: **AFF / AFTF**:
typically $\pm 2.0\%$ (20...80% RH) at $+25^\circ C$, otherwise $\pm 3.0\%$
AFF-20 / AFTF-20, AFF-25 / AFTF-25:
typically $\pm 1.8\%$ (10...90% RH) at $+25^\circ C$, otherwise $\pm 2.0\%$

Output humidity: 0-10 V for U variant; 4...20 mA for I variant

TEMPERATURE

Measuring range, temperature: **multi-range switching** (see table)
 $-35...+35^\circ C$; $-35...+75^\circ C$; $0...+50^\circ C$; $0...+80^\circ C$

Ambient temperature: storage $-35...+85^\circ C$; operation $-30...+80^\circ C$, non-precipitating

Deviation, temperature: **AFF / AFTF**:
typically $\pm 0.4 K$ at $+25^\circ C$

AFF-20 / AFTF-20, AFF-25 / AFTF-25:
typically $\pm 0.2 K$ at $+25^\circ C$

Output, temperature: 0-10 V for U variant; 4...20 mA for I variant;
AFTF-Uxx (passive temperature sensor) see table

Electrical connection: 2-, 3-, or 4-wire connection (see connecting diagram),
0.14 - 1.5 mm², via terminal screws

Cable connection: **cable gland**, plastic (M 16 x 1.5; with strain relief,
exchangeable, max. inner diameter 10.4 mm) or
M12 connector according to DIN EN 61076-2-101 (optional)

Housing: plastic, UV-resistant, material polyamide, 30% glass-globe reinforced,
with quick-locking screws (slotted / Phillips head combination),
colour traffic white (similar to RAL 9016),
housing cover for display is transparent!

Housing dimensions: 126 x 90 x 50 mm (Tyr2)

Protective tube: **stainless steel V2A** (1.4301), \varnothing 16 mm
AFF / AFTF: NL = 55 mm
AFF-20 / AFTF-20: NL = 137 mm
AFF-25 / AFTF-25: NL = 88.5 mm

Sensor protection: **AFF / AFTF, AFF-20 / AFTF-20**:
plastic sinter filter, \varnothing 16 mm, L = 35 mm, exchangeable
(optional metal sinter filter, \varnothing 16 mm, L = 32 mm)

AFF-25 / AFTF-25:
pluggable measuring head (probe), stainless steel V2A (1.4301),
with metal sinter filter, \varnothing 16 mm, L = 88.5 mm, exchangeable

Process connection: by screws

Long-term stability: $\pm 1\%$ per year

Protection class: III (according to EN 60 730)

Protection type: **IP 65** (according to EN 60 529)

Standards: CE conformity, according to EMC directive 2014 / 30 / EU,
according to EN 61326-1, according to EN 61326-2-3

Optional: three-line **display with illumination**, cutout 70 x 40 mm (W x H),
for displaying ACTUAL temperature and / or ACTUAL humidity

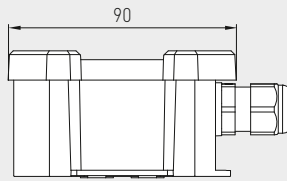
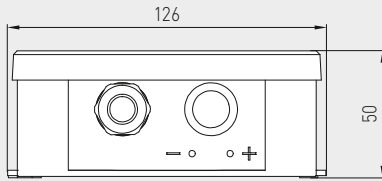
ACCESSORIES see last chapter



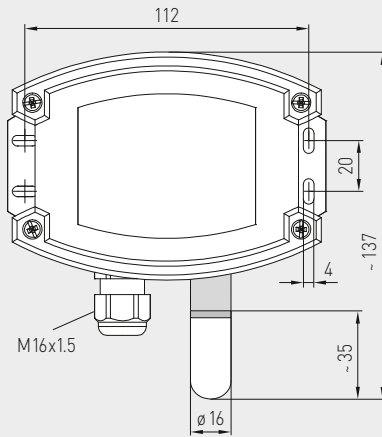
Dimensional drawing

AFF / AFTF
AFF-20 / AFTF-20

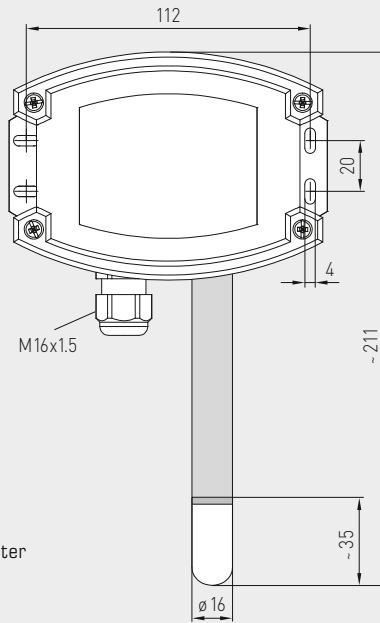
AFF / AFTF ($\pm 2.0\%$)
with display and
plastic sinter filter
(standard)



AFF / AFTF



AFF-20 / AFTF-20



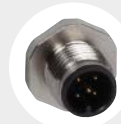
AFF-20 / AFTF-20 ($\pm 1.8\%$)
with display and
plastic sinter filter
(standard)



SF-K
Plastic sinter filter
(standard)



SF-M
Metal sinter filter
(optional)

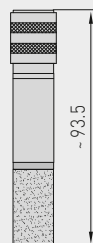
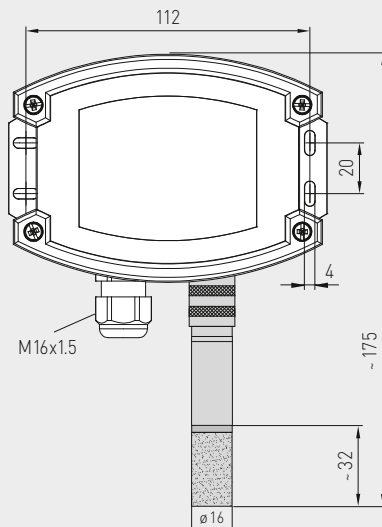


M12 connector
(optional)

Dimensional drawing

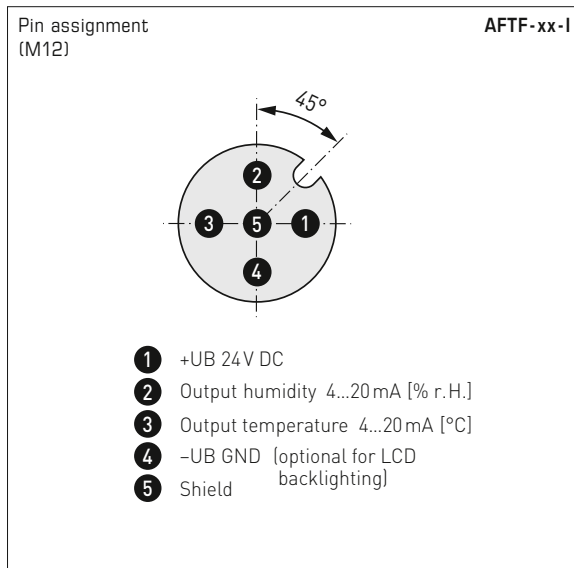
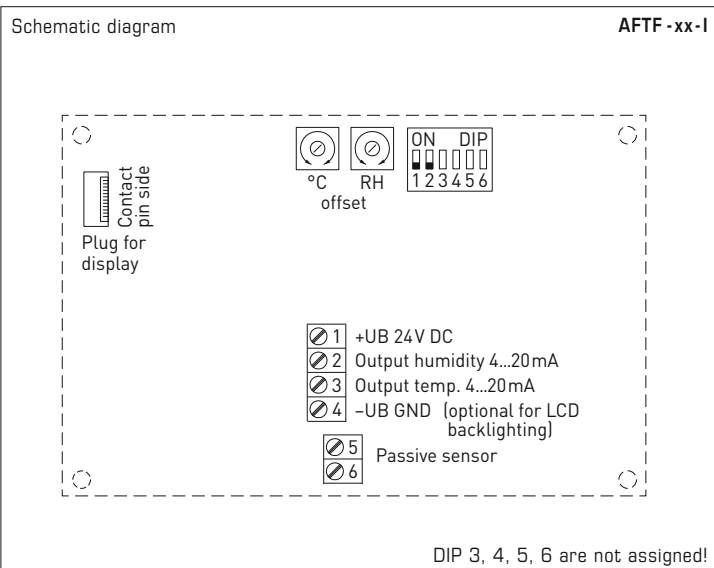
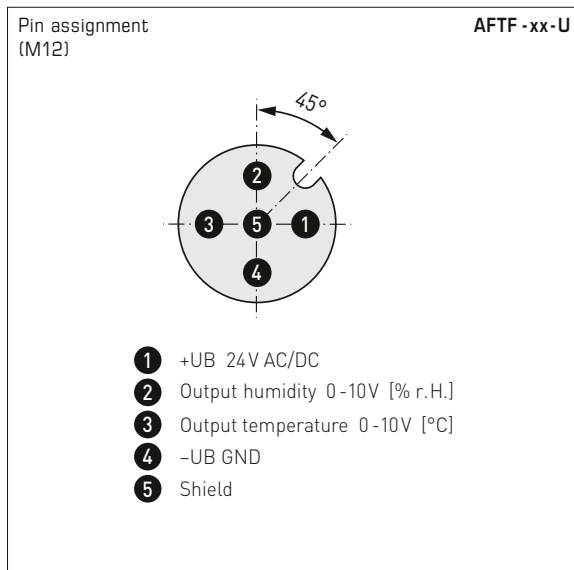
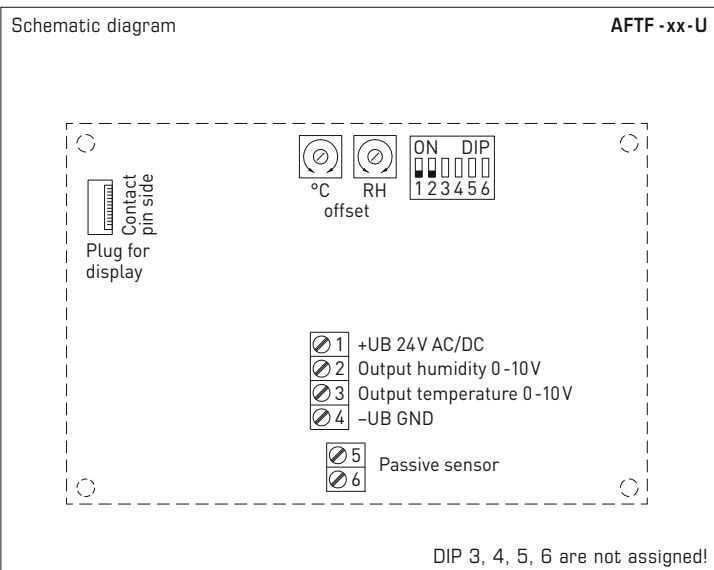
AFF-25 / AFTF-25

AFF-25 / AFTF-25 ($\pm 1.8\%$)
pluggable measuring head
with metal sinter filter
and display

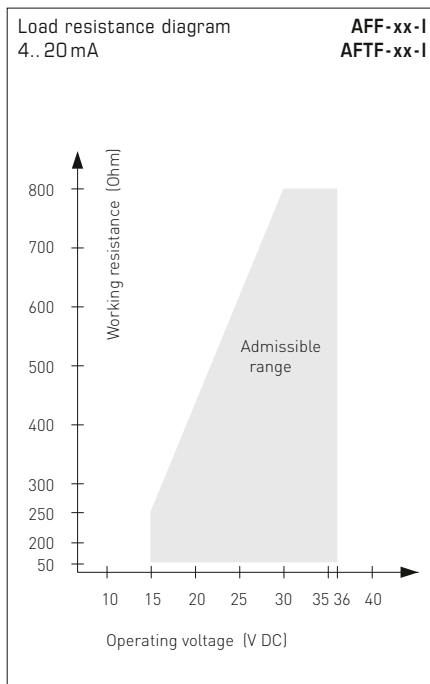


pluggable
measuring head
with metal
sinter filter





AFF-xx / AFTF-xx
 with display,
 hinged





3-wire connection **AFF-xx-U**

1	+UB 24V AC/DC
2	Output humidity 0-10V
3	Free
4	-UB-GND

2- or 3-wire connection * **AFF-xx-I (Transmitter)**

1	+UB 24V DC
2	Output humidity 4...20mA
3	Free
4	-UB-GND (optional for backlighting)

4- or 6-wire connection **AFTF-U (passive temperature sensor)**

1	+UB 24V AC/DC
2	Output humidity 0-10V
3	Output temperature 0-10V
4	-UB-GND
5	Passive element
6	e.g. Pt1000, Ni1000, LMZ235Z

4-wire connection **AFTF-xx-U**

1	+UB 24V AC/DC
2	Output humidity 0-10V
3	Output temperature 0-10V
4	-UB-GND

3- or 4-wire connection ** **AFTF-xx-I (Transmitter)**

1	+UB 24V DC
2	Output humidity 4...20mA
3	Output temp. 4...20mA
4	-UB-GND (optional for backlighting)

4- or 6-wire connection **AFTF-I (passive temperature sensor)**

1	+UB 24V DC
2	Output humidity 4...20mA
3	Output temp. 4...20mA
4	-UB-GND (optional for backlighting)
5	Passive element
6	e.g. Pt1000, Ni1000, LMZ235Z

Temperature measuring ranges (adjustable)	DIP 1	DIP 2
-35...+75 °C	ON	ON
-35...+35 °C	OFF	OFF
0...+50 °C (default)	OFF	ON
0...+80 °C	ON	OFF

Connection*:
2-wire connection for devices with/without display (not illuminated)
3-wire connection for devices with illuminated display

Connection**:
3-wire connection for devices with/without display (not illuminated)
4-wire connection for devices with illuminated display

For the I variant the humidity path must be connected!

Temperature table
MR: -35...+75 °C

°C	U _A [V]	I _A [mA]
-35	0.0	4.0
-30	0.5	4.7
-25	0.9	5.5
-20	1.4	6.2
-15	1.8	6.9
-10	2.3	7.6
-5	2.7	8.4
0	3.2	9.1
5	3.6	9.8
10	4.1	10.5
15	4.5	11.3
20	5.0	12.0
25	5.5	12.7
30	5.9	13.5
35	6.4	14.2
40	6.8	14.9
45	7.3	15.6
50	7.7	16.4
55	8.2	17.1
60	8.6	17.8
65	9.1	18.5
70	9.5	19.2
75	10.0	20.0

Temperature table
MR: -35...+35 °C

°C	U _A [V]	I _A [mA]
-35	0.0	4.0
-30	0.7	5.1
-25	1.4	6.3
-20	2.1	7.4
-15	2.9	8.6
-10	3.6	9.7
-5	4.3	10.9
0	5.0	12.0
5	5.7	13.1
10	6.4	14.3
15	7.1	15.4
20	7.9	16.6
25	8.6	17.7
30	9.3	18.9
35	10.0	20.0

Temperature table
MR: 0...+50 °C

°C	U _A [V]	I _A [mA]
0	0.0	4.0
5	1.0	5.6
10	2.0	7.2
15	3.0	8.8
20	4.0	10.4
25	5.0	12.0
30	6.0	13.6
35	7.0	15.2
40	8.0	16.8
45	9.0	18.4
50	10.0	20.0

Temperature table
MR: 0...+80 °C

°C	U _A [V]	I _A [mA]
0	0.0	4.0
5	0.6	5.0
10	1.3	6.0
15	1.9	7.0
20	2.5	8.0
25	3.1	9.0
30	3.8	10.0
35	4.4	11.0
40	5.0	12.0
45	5.6	13.0
50	6.3	14.0
55	6.9	15.0
60	7.5	16.0
65	8.1	17.0
70	8.8	18.0
75	9.4	19.0
80	10.0	20.0

Humidity table
MR: 0...100% RH

% RH	U _A [V]	I _A [mA]
0	0.0	4.0
5	0.5	4.8
10	1.0	5.6
15	1.5	6.4
20	2.0	7.2
25	2.5	8.0
30	3.0	8.8
35	3.5	9.6
40	4.0	10.4
45	4.5	11.2
50	5.0	12.0
55	5.5	12.8
60	6.0	13.6
65	6.5	14.4
70	7.0	15.2
75	7.5	16.0
80	8.0	16.8
85	8.5	17.6
90	9.0	18.4
95	9.5	19.2
100	10.0	20.0

On-wall humidity and temperature sensors ($\pm 2.0\%$),
calibratable, with multi-range switching
and active/passive output

AFF / AFTF ($\pm 2.0\%$)
with cable gland



WS-03
Weather and sun
protection hood

HYGRASGARD® AFF On-wall humidity sensors ($\pm 2.0\%$), *Standard*
HYGRASGARD® AFTF On-wall humidity and temperature sensors ($\pm 2.0\%$), *Standard*

Type / WG02	Measuring Range / Readout		Output		Display	Item No.	Price
	Humidity	Temperature	Humidity	Temperature			
AFF							
AFF-I	0...100% RH	-	4...20 mA	-		1201-7112-0000-000	196,03 €
AFF-I LCD	0...100% RH	-	4...20 mA	-	■	1201-7112-0400-000	248,48 €
AFF-U	0...100% RH	-	0-10V	-		1201-7111-0000-000	196,03 €
AFF-U LCD	0...100% RH	-	0-10V	-	■	1201-7111-0400-000	248,48 €
AFTF							
AFTF-I	0...100% RH	-35...+75 °C -35...+35 °C 0...+50 °C 0...+80 °C	4...20 mA	4...20 mA		1201-7112-1000-000	215,04 €
AFTF-I LCD	0...100% RH	(4x as above)	4...20 mA	4...20 mA	■	1201-7112-1400-000	267,49 €
AFTF-U	0...100% RH	-35...+75 °C -35...+35 °C 0...+50 °C 0...+80 °C	0-10V	0-10V		1201-7111-1000-000	215,04 €
AFTF-U LCD	0...100% RH	(4x as above)	0-10V	0-10V	■	1201-7111-1400-000	267,49 €
Housing variant:	Cable connection with cable gland (M12 connector on request)						

HYGRASGARD® AFTF-U xx On-wall humidity and temperature sensors ($\pm 2.0\%$), *Standard*
(passive temperature sensor)

Type / WG02	Measuring Range / Readout		Output		Item No.	Price
	Humidity	Temperature	Humidity	Temperature		
AFTF-U xx	Pt, Ni, LM235Z, NTC		(active / passive)			
AFTF-U Pt100	0...100% RH	-35...+75 °C -35...+35 °C 0...+50 °C 0...+80 °C	0-10V	0-10V + Pt100	1201-7111-2001-000	216,35 €
AFTF-U Pt1000	0...100% RH	(4x as above)	0-10V	0-10V + Pt1000	1201-7111-2005-000	217,66 €
AFTF-U Ni1000	0...100% RH	(4x as above)	0-10V	0-10V + Ni1000	1201-7111-2009-000	218,32 €
AFTF-U NiTK	0...100% RH	(4x as above)	0-10V	0-10V + Ni1000TK5000	1201-7111-2010-000	218,97 €
AFTF-U LM235Z	0...100% RH	(4x as above)	0-10V	0-10V + LM235Z , 10mV / K	1201-7111-2021-000	217,79 €
AFTF-U NTC1,8K	0...100% RH	(4x as above)	0-10V	0-10V + NTC 1,8 kOhm	1201-7111-2012-000	218,71 €
AFTF-U NTC10K	0...100% RH	(4x as above)	0-10V	0-10V + NTC 10 kOhm	1201-7111-2015-000	215,70 €
AFTF-U NTC20K	0...100% RH	(4x as above)	0-10V	0-10V + NTC 20 kOhm	1201-7111-2016-000	215,70 €
Housing variant:	Cable connection with cable gland (M12 connector on request)					



S+S REGELTECHNIK

HYGRASGARD® AFF-25
HYGRASGARD® AFTF-25

On-wall humidity sensors and temperature sensors ($\pm 1.8\%$),
calibratable, with multi-range switching
and active output



AFF-25 / AFTF-25 ($\pm 1.8\%$)
with cable gland



HYGRASGARD® AFF-25		On-wall humidity sensors, pluggable ($\pm 1.8\%$), <i>Deluxe</i>				
HYGRASGARD® AFTF-25		On-wall humidity and temperature sensors, pluggable ($\pm 1.8\%$), <i>Deluxe</i>				
Type / WG02	Measuring Range / Readout	Output	Display	Item No.	Price	
	Humidity	Humidity				
	Temperature	Temperature				
AFF-25						
AFF-25-I	0...100 % RH	–		1201-7132-0000-101	367,13 €	
AFF-25-I LCD	0...100 % RH	–	■	1201-7132-0400-101	418,45 €	
AFF-25-U	0...100 % RH	–		1201-7131-0000-101	367,13 €	
AFF-25-U LCD	0...100 % RH	–	■	1201-7131-0400-101	418,45 €	
AFTF-25						
AFTF-25-I	0...100 % RH	–35...+75 °C –35...+35 °C 0...+50 °C 0...+80 °C	4... 20 mA	4... 20 mA	1201-7132-1000-101 389,42 €	
AFTF-25-I LCD	0...100 % RH	(4x as above)	4... 20 mA	4... 20 mA	■ 1201-7132-1400-101 440,75 €	
AFTF-25-U	0...100 % RH	–35...+75 °C –35...+35 °C 0...+50 °C 0...+80 °C	0-10 V	0-10 V	1201-7131-1000-101 389,42 €	
AFTF-25-U LCD	0...100 % RH	(4x as above)	0-10 V	0-10 V	■ 1201-7131-1400-101 440,75 €	
Housing variant:	Cable connection with cable gland (M12 connector on request)					

ACCESSORIES					
SF-M	Metal sinter filter, \varnothing 16 mm, L=32 mm, exchangeable stainless steel V4A (1.4404)			7000-0050-2200-100	43,60 €
MSK-25	Pluggable measuring head (probe) stainless steel V2A (1.4301), Metal sinter filter, \varnothing 16 mm, L=88.5 mm, exchangeable replacement element for AFF-25/AFTF-25			7201-1131-0000-000	221,60 €
WS-01	Sun and ball-impact protection hood, 184 x 180 x 80 mm, stainless steel V2A (1.4301)			7100-0040-2000-000	32,72 €
WS-03	Weather and sun protection hood, 200 x 180 x 150 mm, stainless steel V2A (1.4301)			7100-0040-6000-000	46,08 €

For further information see last chapter!

On-wall humidity sensors and temperature sensors ($\pm 1.8\%$),
calibratable, with multi-range switching
and active output

AFTF-20-Q ($\pm 1.8\%$)
with M12 connector



HYGRASGARD® AFTF-20-Q On-wall humidity sensors and temperature sensors ($\pm 1.8\%$), *Premium*
(with M12 connector)

Type / WG02	Measuring Range / Readout		Output		Display	Item No.	Price
	Humidity	Temperature	Humidity	Temperature	● = Q		
AFTF-20-Q							
AFTF-20-I Q	0...100% RH	-35...+75 °C -35...+35 °C 0...+50 °C 0...+80 °C	4...20 mA	4...20 mA	●	2003-6121-2100-001	315,96 €
AFTF-20-I Q LCD	0...100% RH	(4x as above)	4...20 mA	4...20 mA	● ■	2003-6122-2100-001	365,78 €
AFTF-20-U Q	0...100% RH	-35...+75 °C -35...+35 °C 0...+50 °C 0...+80 °C	0-10 V	0-10 V	●	2003-6121-1100-001	315,96 €
AFTF-20-U Q LCD	0...100% RH	(4x as above)	0-10 V	0-10 V	● ■	2003-6122-1100-001	365,78 €
Housing variant "Q":		Cable connection with M12 connector (male, 5-pin, A-code)					

ACCESSORIES

SF-M	Metal sinter filter, \varnothing 16 mm, L = 32 mm, exchangeable stainless steel V4A (1.4404)	7000-0050-2200-100	43,60 €
-------------	------------------------------------------------------------------------------------------------	--------------------	---------

For further information see last chapter!



S+S REGELTECHNIK

HYGRASGARD® AFF-20
HYGRASGARD® AFTF-20

On-wall humidity sensors and temperature sensors ($\pm 1.8\%$),
calibratable, with multi-range switching
and active output



AFF-20 / AFTF-20 ($\pm 1.8\%$)
with cable gland



HYGRASGARD® AFF-20		On-wall humidity sensors ($\pm 1.8\%$), <i>Premium</i> (with cable gland)					
Type / WG02	Measuring Range / Readout Humidity	Readout Temperature	Output Humidity	Temperature	Display	Item No.	Price
AFF-20							
AFF-20-I	0...100% RH	–	4...20 mA	–		1201-7112-0000-201	248,48 €
AFF-20-I LCD	0...100% RH	–	4...20 mA	–	■	1201-7112-0400-201	300,92 €
AFF-20-U	0...100% RH	–	0-10 V	–		1201-7111-0000-201	248,48 €
AFF-20-U LCD	0...100% RH	–	0-10 V	–	■	1201-7111-0400-201	300,92 €
Housing variant:	Cable connection with cable gland (M12 connector on request)						

HYGRASGARD® AFTF-20		On-wall humidity and temperature sensors ($\pm 1.8\%$), <i>Premium</i> (with cable gland)					
Type / WG02	Measuring Range / Readout Humidity	Readout Temperature	Output Humidity	Temperature	Display	Item No.	Price
AFTF-20							
AFTF-20-I	0...100% RH	–35...+75 °C –35...+35 °C 0...+50 °C 0...+80 °C	4...20 mA	4...20 mA		1201-7112-1000-201	272,77 €
AFTF-20-I LCD	0...100% RH	(4x as above)	4...20 mA	4...20 mA	■	1201-7112-1400-201	322,62 €
AFTF-20-U	0...100% RH	–35...+75 °C –35...+35 °C 0...+50 °C 0...+80 °C	0-10 V	0-10 V		1201-7111-1000-201	272,77 €
AFTF-20-U LCD	0...100% RH	(4x as above)	0-10 V	0-10 V	■	1201-7111-1400-201	322,62 €
Housing variant:	Cable connection with cable gland (M12 connector see AFTF-20-Q)						

ACCESSORIES								
SF-M	Metal sinter filter, \varnothing 16 mm, L = 32 mm, exchangeable stainless steel V4A (1.4404)						7000-0050-2200-100	43,60 €
For further information see last chapter!								



**On-wall humidity sensors and temperature sensors (± 1.8 %),
calibratable, with multi-range switching
and active output**

Calibratable outdoor humidity and temperature sensor **HYGRASGARD® AFTF-20-VA** (± 1.8 %) with metal sinter filter, rugged housing, **stainless steel V4A**, optionally with /without display, with cable gland or M12 connector according to DIN EN 61076-2-101.

It measures the relative humidity and the temperature of the air and converts the measurand into a standard signal of 0 - 10 V or 4...20 mA. It has four switchable temperature ranges and is applied in non-aggressive dust-free atmospheres in refrigeration, air conditioning, ventilation and clean room technology. These measuring transducers are designed for exact detection of humidity. A digital long-term stable sensor is used as measuring element for humidity measurement. The sensor is factory-calibrated; an environmental precision adjustment by an expert is possible.

TECHNICAL DATA

Power supply:	24 V AC (± 20 %); 15...36 V DC for U variant 15...36 V DC for I variant, depending on working resistance, residual ripple stabilised ± 0.3 V
Working resistance:	R_B (ohm) = $(U_b - 14 V) / 0.02 A$ for I variant, see load resistance diagram
Load resistance:	$R_L > 5 k\Omega$ for U variant
Power consumption:	< 1.1 VA / 24 V DC; < 2.2 VA / 24 V AC
Sensors:	digital humidity sensor with integrated temperature sensor , low hysteresis, high long-term stability

HUMIDITY

Measuring range, humidity:	0...100 % RH
Permitted humidity:	< 95 % RH, non-precipitating air
Deviation in humidity:	typically ± 1.8 % (10...90 % RH) at +25 °C, otherwise ± 2.0 %
Output humidity:	0 - 10 V for U variant 4...20 mA for I variant

TEMPERATURE

Measuring range, temperature:	multi-range switching (see table) -35...+35 °C; -35...+75 °C; 0...+50 °C; 0...+80 °C
Ambient temperature:	storage -35...+85 °C; operation -30...+80 °C, non-precipitating
Deviation, temperature:	typically ± 0.2 K at +25 °C
Output, temperature:	0 - 10 V for U variant 4...20 mA for I variant
Electrical connection:	2-, 3-, or 4-wire connection (see connecting diagram), 0.14 - 1.5 mm ² , via terminal screws
Cable connection:	cable gland, stainless steel V2A (1.4305) (M20 x 1.5; with strain relief, exchangeable, inner diameter 6 - 12 mm) or M12 connector (male, 5-pin, A-code) according to DIN EN 61076-2-101
Housing:	stainless steel V4A (1.4571), with non-distortion cover bolting, impact resistant, high EMI shielding, corrosion, temperature, weather- and UV-resistant
Housing dimensions:	143 x 97 x 61 mm (Tyr 2E)
Protective tube:	made from stainless steel V2A (1.4301), Ø 16 mm, NL = 137 mm
Sensor protection:	metal sinter filter , Ø 16 mm, L = 32 mm, exchangeable, stainless steel V4A (1.4404)
Process connection:	by screws via the mounting fixture on the housing
Long-term stability:	± 1 % per year
Protection class:	III (according to EN 60 730)
Protection type:	IP 65 (according to EN 60 529) Housing tested, TÜV SÜD, Report No. 713160960B (Skadi2)
Standards:	CE conformity according to EMC Directive 2014 / 30 / EU, according to EN 61326-1, according to EN 61326-2-3
Optional:	display with illumination , three-line, cutout approx. 70 x 40 mm (W x H), to display the ACTUAL temperature and ACTUAL humidity

ACCESSORIES (see table)

AFTF-20-VA
with cable gland



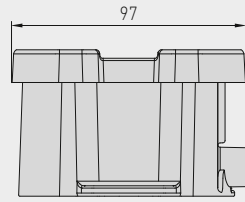
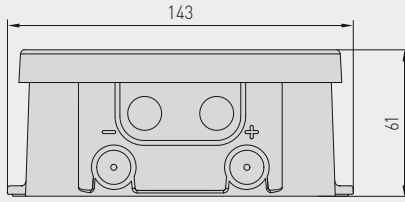
AFTF-20-VAQ
with M12 connector





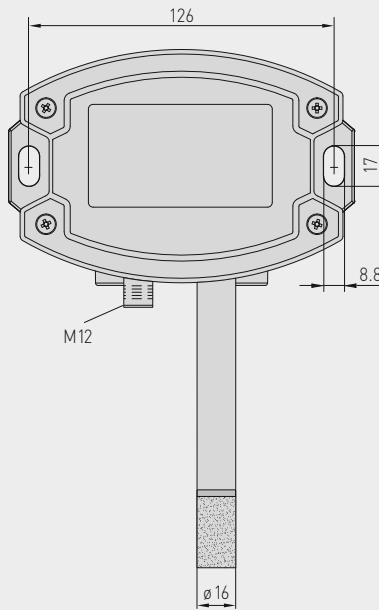
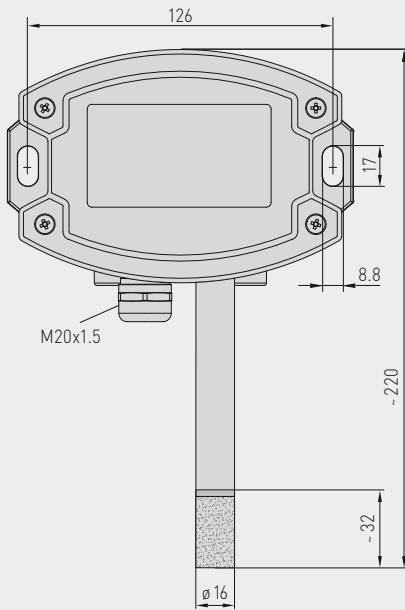
Dimensional drawing

AFTF-20-VA



Housing with
cable gland

Housing with
M12 connector



SF-M
Metal sinter filter
(standard)



M12 connector
(male)

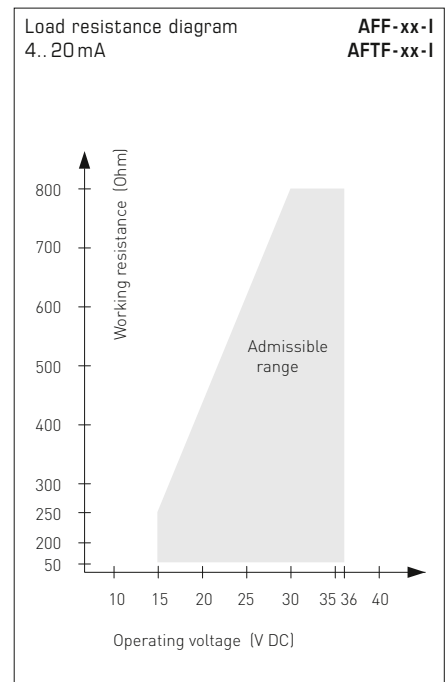
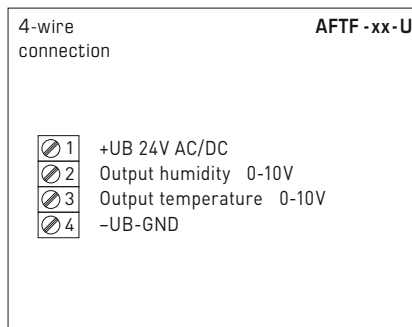
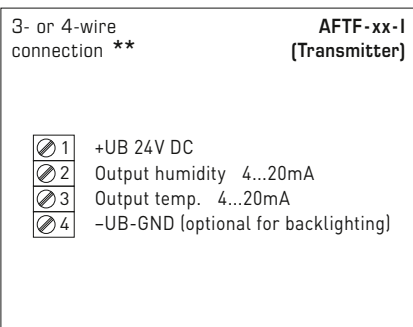
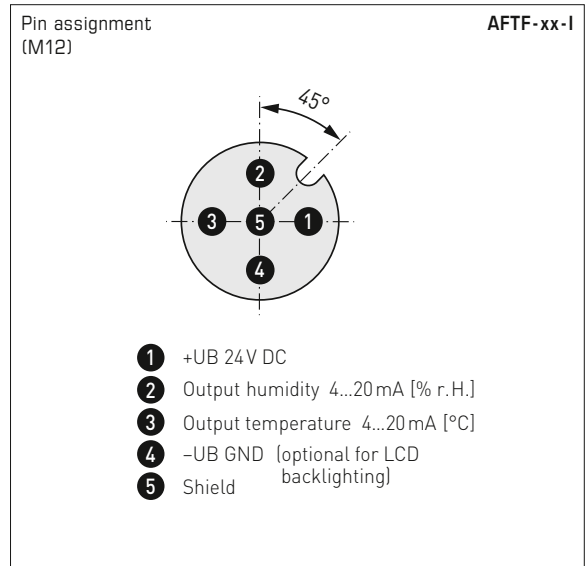
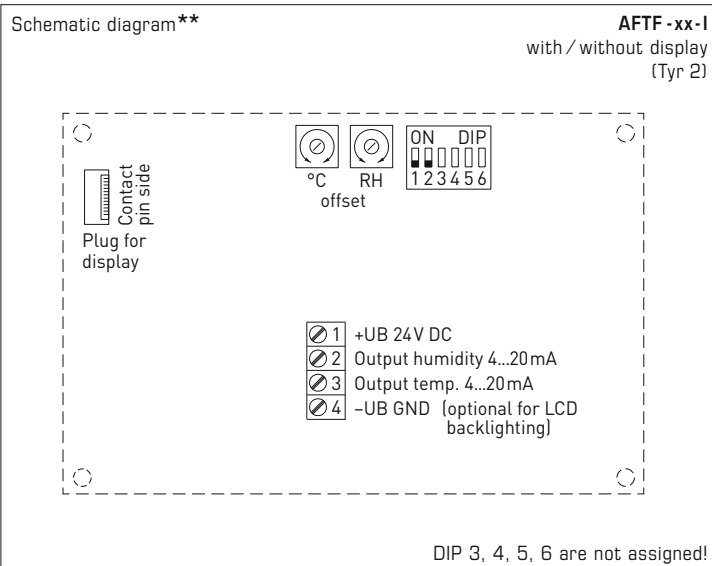
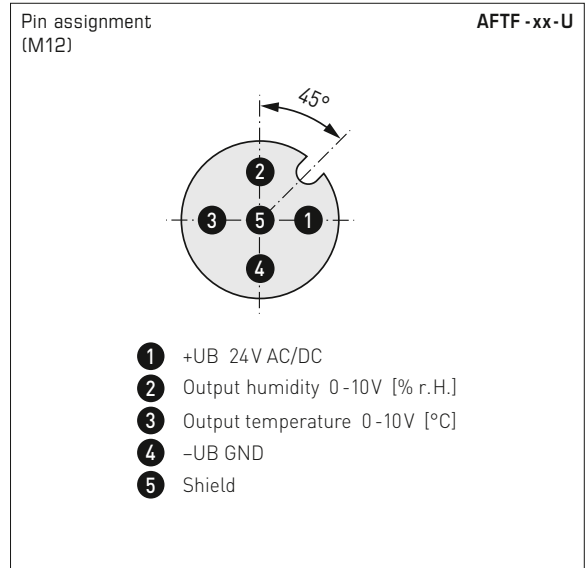
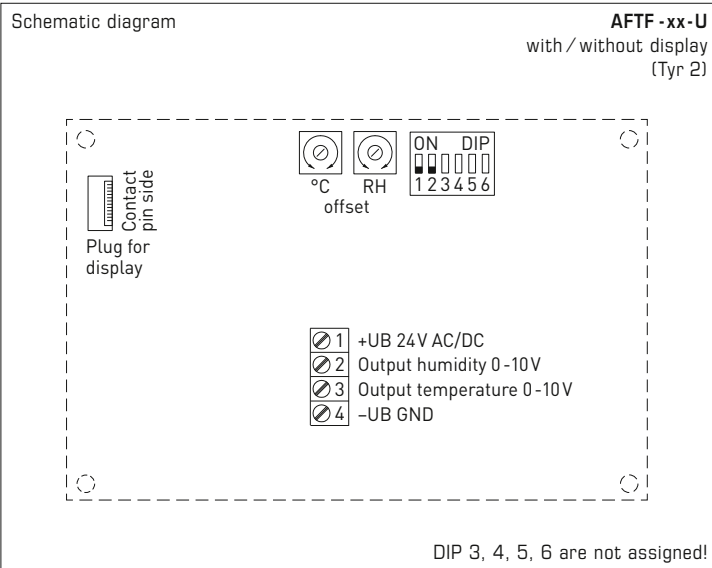
AFTF-20-VA
with cable gland
and display



AFTF-20-VAQ
with M12 connector
and display



On-wall humidity sensors and temperature sensors ($\pm 1.8\%$),
calibratable, with multi-range switching
and active output



Connection**:
3-wire connection for devices with/without display (not illuminated)
4-wire connection for devices with illuminated display

For the **I** variant the humidity path must be connected!

Temperature measuring ranges (adjustable)	DIP 1	DIP 2
-35...+75 °C	ON	ON
-35...+35 °C	OFF	OFF
0...+50 °C (default)	OFF	ON
0...+80 °C	ON	OFF



On-wall humidity sensors and temperature sensors (± 1.8%),
calibratable, with multi-range switching
and active output

AFTF-20-VAQ
with display,
hinged



Temperature table
MR: -35...+75 °C

°C	U _A [V]	I _A [mA]
-35	0.0	4.0
-30	0.5	4.7
-25	0.9	5.5
-20	1.4	6.2
-15	1.8	6.9
-10	2.3	7.6
-5	2.7	8.4
0	3.2	9.1
5	3.6	9.8
10	4.1	10.5
15	4.5	11.3
20	5.0	12.0
25	5.5	12.7
30	5.9	13.5
35	6.4	14.2
40	6.8	14.9
45	7.3	15.6
50	7.7	16.4
55	8.2	17.1
60	8.6	17.8
65	9.1	18.5
70	9.5	19.2
75	10.0	20.0

Temperature table
MR: -35...+35 °C

°C	U _A [V]	I _A [mA]
-35	0.0	4.0
-30	0.7	5.1
-25	1.4	6.3
-20	2.1	7.4
-15	2.9	8.6
-10	3.6	9.7
-5	4.3	10.9
0	5.0	12.0
5	5.7	13.1
10	6.4	14.3
15	7.1	15.4
20	7.9	16.6
25	8.6	17.7
30	9.3	18.9
35	10.0	20.0

Temperature table
MR: 0...+50 °C

°C	U _A [V]	I _A [mA]
0	0.0	4.0
5	1.0	5.6
10	2.0	7.2
15	3.0	8.8
20	4.0	10.4
25	5.0	12.0
30	6.0	13.6
35	7.0	15.2
40	8.0	16.8
45	9.0	18.4
50	10.0	20.0

Temperature table
MR: 0...+80 °C

°C	U _A [V]	I _A [mA]
0	0.0	4.0
5	0.6	5.0
10	1.3	6.0
15	1.9	7.0
20	2.5	8.0
25	3.1	9.0
30	3.8	10.0
35	4.4	11.0
40	5.0	12.0
45	5.6	13.0
50	6.3	14.0
55	6.9	15.0
60	7.5	16.0
65	8.1	17.0
70	8.8	18.0
75	9.4	19.0
80	10.0	20.0

Humidity table
MR: 0...100% RH

% RH	U _A [V]	I _A [mA]
0	0.0	4.0
5	0.5	4.8
10	1.0	5.6
15	1.5	6.4
20	2.0	7.2
25	2.5	8.0
30	3.0	8.8
35	3.5	9.6
40	4.0	10.4
45	4.5	11.2
50	5.0	12.0
55	5.5	12.8
60	6.0	13.6
65	6.5	14.4
70	7.0	15.2
75	7.5	16.0
80	8.0	16.8
85	8.5	17.6
90	9.0	18.4
95	9.5	19.2
100	10.0	20.0

On-wall humidity sensors and temperature sensors ($\pm 1.8\%$),
calibratable, with multi-range switching
and active output

AFTF-20-VAQ
with M12 connector



HYGRASGARD® AFTF-20-VAQ		On-wall humidity sensors and temperature sensors ($\pm 1,8\%$), ID (with M12 connector)					
Type / WG02I	Measuring Range / Readout		Output		Display	Item No.	Price
	Humidity	Temperature	Humidity	Temperature	● = Q		
AFTF-20-VAQ	[active]						
AFTF-20-I VAQ	0...100% RH	-35...+75 °C -35...+35 °C 0...+50 °C 0...+80 °C	4...20 mA	4...20 mA	●	2003-6181-2100-001	682,23 €
AFTF-20-I VAQ LCD	0...100% RH	(4x as above)	4...20 mA	4...20 mA	● ■	2003-6182-2100-001	842,29 €
AFTF-20-U VAQ	0...100% RH	-35...+75 °C -35...+35 °C 0...+50 °C 0...+80 °C	0-10V	0-10V	●	2003-6181-1100-001	682,23 €
AFTF-20-U VAQ LCD	0...100% RH	(4x as above)	0-10V	0-10V	● ■	2003-6182-1100-001	842,29 €
Housing variant "Q":		Cable connection with M12 connector (male, 5-pin, A-code)					

ACCESSORIES			
SF-M	Metal sinter filter, \varnothing 16 mm, L = 32 mm, exchangeable stainless steel V4A (1.4404)	7000-0050-2200-100	43,60 €
For further information see last chapter!			



AFTF-20-VA
with cable gland



HYGRASGARD® AFTF-20-VA		On-wall humidity sensors and temperature sensors ($\pm 1.8\%$), <i>ID</i> (with cable gland)					
Type / WG02I	Measuring Range / Readout		Output		Display	Item No.	Price
	Humidity	Temperature	Humidity	Temperature			
AFTF-20-VA							
AFTF-20-I VA	0...100% RH	-35...+75 °C -35...+35 °C 0...+50 °C 0...+80 °C	4... 20 mA	4... 20 mA		2003-6181-2200-001	642,54 €
AFTF-20-I VA LCD	0...100% RH	(4x as above)	4... 20 mA	4... 20 mA	■	2003-6182-2200-001	802,61 €
AFTF-20-U VA	0...100% RH	-35...+75 °C -35...+35 °C 0...+50 °C 0...+80 °C	0-10 V	0-10 V		2003-6181-1200-001	642,54 €
AFTF-20-U VA LCD	0...100% RH	(4x as above)	0-10 V	0-10 V	■	2003-6182-1200-001	802,61 €
Housing variant:		Cable connection with cable gland					

ACCESSORIES			
SF-M	Metal sinter filter, \varnothing 16 mm, L = 32 mm, exchangeable stainless steel V4A (1.4404)	7000-0050-2200-100	43,60 €
For further information see last chapter!			

Condensation-protected on-wall humidity and temperature sensor for "high humidity", relative/absolute humidity, mixture ratio, dew point, wet bulb temperature and temperature, calibratable, with multi-range switching, with active and switching output

Condensation-protected on-wall sensor **HYGRASREG® AFTF-35** with active and switching output, housing made of impact-resistant plastic with quick-locking screws, cable gland, plastic sinter filter (replaceable), optionally with/without display, for detecting relative humidity (0...100 % RH) and temperature (4 switchable measuring ranges, max. 0...+100 °C) as well as for determining various parameters of humidity measurement technology. The measuring transducer converts the measured variables into a standard signal of 0-10V or 4...20 mA.

The unit is specially designed for use in the **high humidity range** (95...99 % RH). A long-term stable, **digital humidity and temperature sensor** is used. Overtemperature prevents or hinders dew formation on the humidity sensor. A second, separate temperature measuring element is used to determine the actual relative humidity of the ambient air. The following measured variables are calculated internally from these parameters and are retrievable via output **OUT3**: absolute humidity, mixing ratio, dew point and wet bulb temperature (can be changed via DIP switch).

The sensor is used in medical technology, refrigeration technology, control technology, air conditioning and clean room technology. The sensor is factory-calibrated; an environmental precision adjustment by an expert is possible.

TECHNICAL DATA

Power supply:	24 V AC/DC (± 10 %)
Working resistance:	> 100 kOhm for U variant; 100...500 Ohm for I variant
Power consumption:	typically < 6 W at 24 V DC, peak current 200 mA
Measured variables:	relative humidity [% RH], temperature [°C]
Parameters:	absolute humidity [g/m ³], mixture ratio [g/kg], dew point [°C], wet bulb temperature [°C]
Outputs:	3 active outputs (0-10V or 4...20 mA) 1 changeover contact
Sensor:	digital humidity sensor with integrated temperature sensor , low hysteresis, high long-term stability, with condensation protection through heating function (plus a second, separate temperature measuring element)
Sensor protection:	plastic sinter filter, Ø 16 mm, L = 35 mm, exchangeable (optional metal sinter filter, Ø 16 mm, L = 32 mm)

HUMIDITY

Measuring range, humidity:	0...100 % RH
Deviation in humidity:	typically ± 3.0 % (30...70 % RH) at +25 °C, otherwise ± 3.5 % (deviations of alternative parameters result from deviations from humidity and temperature.)
Output humidity:	0-10V for U variant; 4...20 mA for I variant

TEMPERATURE

Temperature measuring range:	Multi-range switching with 4 switchable measuring ranges (see table) 0...+50 °C (default); -20...+50 °C; -20...+80 °C; 0...+100 °C
Deviation in temperature:	typically ± 0.5 K at +25 °C
Temperature output:	0-10 V for U variant; 4...20 mA for I variant
Long-term stability:	± 1 % per year
Response time (t90):	< 60 s
Warm-up time:	< 10 min
Electrical connection:	0.14 - 1.5 mm ² , via terminal screws
Cable connection:	Cable gland , plastic (M 16 x 1.5; with strain relief, exchangeable, max. inner diameter 10.4 mm)
Housing:	Plastic, UV-resistant, material polyamide, 30 % glass-globe reinforced, with quick-locking screws (slotted / Phillips head combination), colour traffic white (similar to RAL 9016), housing cover for display is transparent!
Housing dimensions:	126 x 90 x 50 mm (Tyr 2)
Protective tube:	made of stainless steel V2A (1.4301), Ø 16 mm, NL = 55 mm (combined humidity and temperature measuring element) and of stainless steel V4A (1.4571), Ø 6 mm, NL = 65 mm (second, separate temperature measuring element)
Process connection:	via screws
Ambient temperature:	storage -20...+50 °C; operation -20...+50 °C
Permitted humidity:	< 99 % RH, non-precipitating air free of harmful substances
Protection class:	III (according to EN 60 730)
Protection type:	IP 65 (according to EN 60 529) housing, IP 20 sensor technology
Standards:	CE-conformity, electromagnetic compatibility according to EN 61 326, EMC Directive 2014 / 30 / EU

FUNCTION

A constant overtemperature of the humidity sensor makes its dewing considerably more difficult or prevents its formation within the limits of the system. A faster reaction speed is achieved in the case of humidity fluctuations, even in the range above 95 % RH. The sensor (combined humidity and temperature measuring element) is heated approx. 3K above the ambient temperature. The actual relative humidity is determined from the measured relative humidity at overtemperature, the chip temperature of the sensor and the ambient temperature (via a second, separate temperature measuring element).

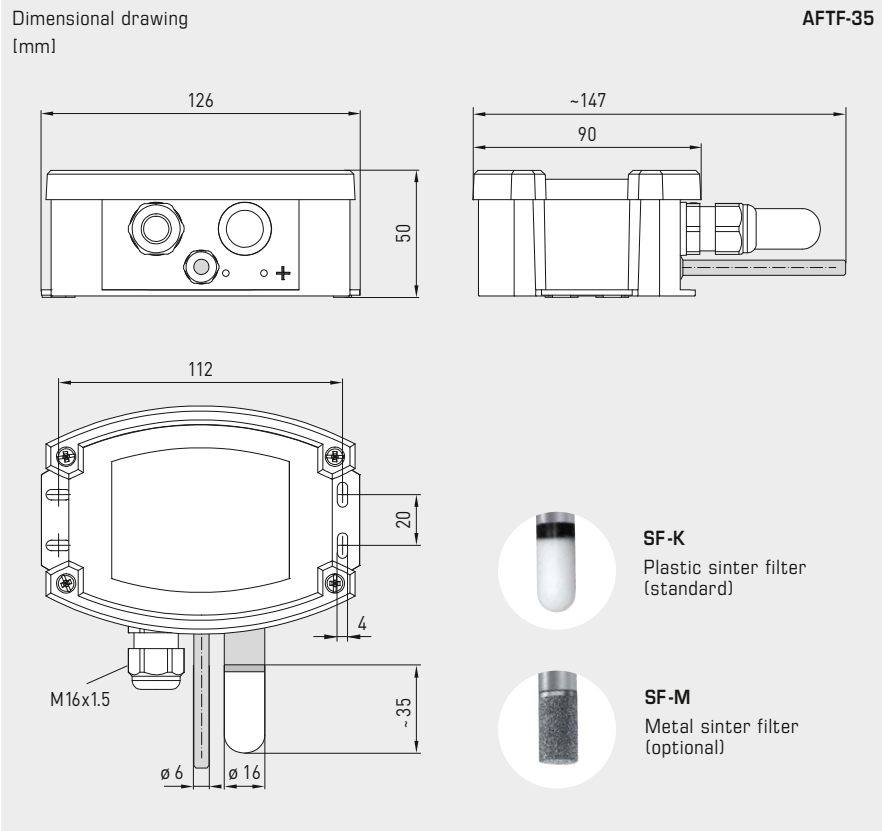


NEW

S+S REGELTECHNIK

HYGRASREG® **AFTF-35**

Condensation-protected on-wall humidity and temperature sensor for "high humidity", relative/absolute humidity, mixture ratio, dew point, wet bulb temperature and temperature, calibratable, with multi-range switching, with active and switching output



AFTF-35
with plastic sinter filter (standard)



Temperature table
MR: -20...+80 °C

°C	U _A [V]	I _A [mA]
-20	0.0	4.0
-15	0.5	4.8
-10	1.0	5.6
-5	1.5	6.4
0	2.0	7.2
5	2.5	8.0
10	3.0	8.8
15	3.5	9.6
20	4.0	10.4
25	4.5	11.2
30	5.0	12.0
35	5.5	12.8
40	6.0	13.6
45	6.5	14.4
50	7.0	15.2
55	7.5	16.0
60	8.0	16.8
65	8.5	17.6
70	9.0	18.4
75	9.5	19.2
80	10.0	20.0

Temperature table
MR: -20...+50 °C

°C	U _A [V]	I _A [mA]
-20	0.0	4.0
-15	0.7	5.1
-10	1.4	6.3
-5	2.1	7.4
0	2.9	8.6
5	3.6	9.7
10	4.3	10.9
15	5.0	12.0
20	5.7	13.1
25	6.4	14.3
30	7.1	15.4
35	7.9	16.6
40	8.6	17.7
45	9.3	18.9
50	10.0	20.0

Temperature table
MR: 0...+50 °C

°C	U _A [V]	I _A [mA]
0	0.0	4.0
5	1.0	5.6
10	2.0	7.2
15	3.0	8.8
20	4.0	10.4
25	5.0	12.0
30	6.0	13.6
35	7.0	15.2
40	8.0	16.8
45	9.0	18.4
50	10.0	20.0

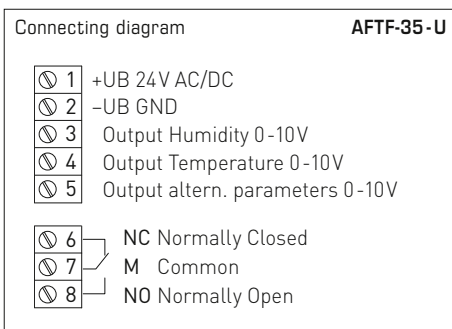
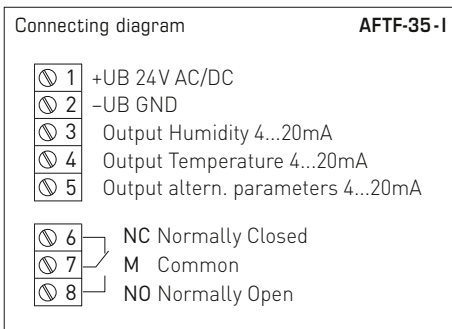
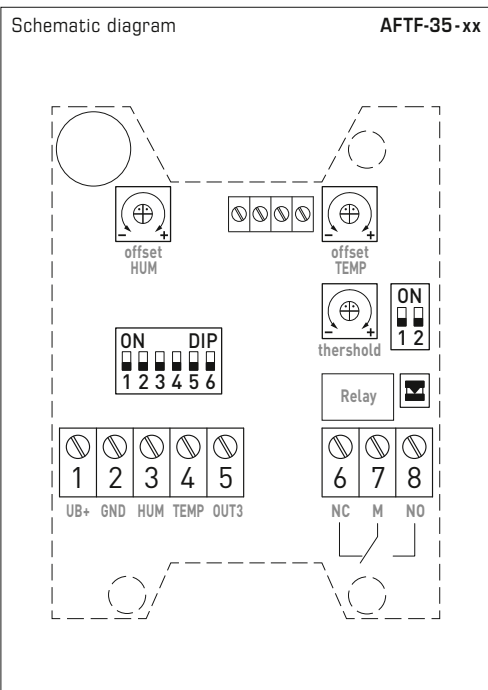
Temperature table
MR: 0...+100 °C

°C	U _A [V]	I _A [mA]
0	0.0	4.0
5	0.5	4.8
10	1.0	5.6
15	1.5	6.4
20	2.0	7.2
25	2.5	8.0
30	3.0	8.8
35	3.5	9.6
40	4.0	10.4
45	4.5	11.2
50	5.0	12.0
55	5.5	12.8
60	6.0	13.6
65	6.5	14.4
70	7.0	15.2
75	7.5	16.0
80	8.0	16.8
85	8.5	17.6
90	9.0	18.4
95	9.5	19.2
100	10.0	20.0

Humidity table
MR: 0...100 % RH

% RH	U _A [V]	I _A [mA]
0	0.0	4.0
5	0.5	4.8
10	1.0	5.6
15	1.5	6.4
20	2.0	7.2
25	2.5	8.0
30	3.0	8.8
35	3.5	9.6
40	4.0	10.4
45	4.5	11.2
50	5.0	12.0
55	5.5	12.8
60	6.0	13.6
65	6.5	14.4
70	7.0	15.2
75	7.5	16.0
80	8.0	16.8
85	8.5	17.6
90	9.0	18.4
95	9.5	19.2
100	10.0	20.0

Condensation-protected on-wall humidity and temperature sensor for "high humidity", relative/absolute humidity, mixture ratio, dew point, wet bulb temperature and temperature, calibratable, with multi-range switching, with active and switching output

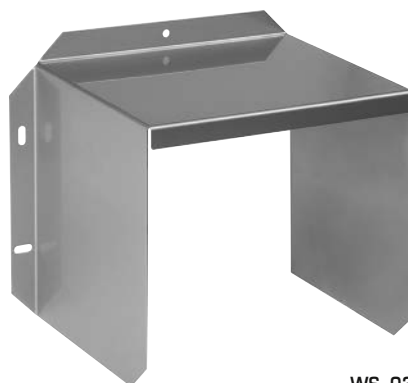


Measuring ranges temperature	DIP 1	DIP 2
0...+50 °C (default)	OFF	OFF
-20...+50 °C	ON	OFF
-20...+80 °C	OFF	ON
0...+100 °C	ON	ON

Measuring ranges alternative parameters	DIP 3	DIP 4	DIP 5
(a.F.) 0...20 g/m³ (default)	OFF	OFF	OFF
(a.F.) 0...25 g/m³	ON	OFF	OFF
(MV) 0...20 g/kg	OFF	ON	OFF
(MV) 0...25 g/kg	ON	ON	OFF
(TP) 0...+50 °C	OFF	OFF	ON
(TP) -20...+50 °C	ON	OFF	ON
(FKT) -30...+30 °C	OFF	ON	ON
(FKT) -20...+50 °C	ON	ON	ON

(a.F.) = absolute humidity [g/m³]
 (MV) = mixture ratio [g/kg]
 (TP) = dew point [°C]
 (FKT) = wet bulb temperature [°C]

Note: For factory service only, it must be set to "OFF" during operation!	DIP 6
Operation (default)	OFF



WS-03
Weather and sun protection hood



Relay function assignment	DIP 1	DIP 2
inactive (default)	OFF	OFF
Humidity	ON	OFF
Temperature	OFF	ON
alternative parameters	ON	ON



S+S REGELTECHNIK

NEW

HYGRASREG® **AFTF-35**

Condensation-protected on-wall humidity and temperature sensor for "high humidity", relative/absolute humidity, mixture ratio, dew point, wet bulb temperature and temperature, calibratable, with multi-range switching, with active and switching output



HYGRASREG® AFTF-35 Condensation-protected on-wall sensor for high humidity

Type/ WG02	Measuring Range Humidity	Temperature	Output active	Output switching	Display	Item No.	Price
AFTF-35-I						I variant	
AFTF-35-I/W	0...100% RH 0...20 g/m ³ (a.F.) 0...25 g/m ³ (a.F.) 0...20 g/kg (MV) 0...25 g/kg (MV) 0...+50 °C (TP) -20...+50 °C (TP) -30...+30 °C (FKT) -20...+50 °C (FKT)	0...+50 °C -20...+50 °C -20...+80 °C 0...+100 °C	3x 4...20 mA	1x Changeover contact		1201-714B-1000-000	738,13 €
AFTF-35-I/W LCD	(as above)	(as above)	3x 4...20 mA	1x Changeover contact	■	1201-714B-1200-000	843,57 €
AFTF-35-U						U variant	
AFTF-35-U/W	(as above)	(as above)	3x 0-10 V	1x Changeover contact		1201-714A-1000-000	738,13 €
AFTF-35-U/W LCD	(as above)	(as above)	3x 0-10 V	1x Changeover contact	■	1201-714A-1200-000	843,57 €

Note **Alternative parameters** are calculated internally from the measured variables, which are retrievable via the active output **OUT3**: absolute humidity, mixing ratio, dew point and wet bulb temperature (can be changed via DIP switch)

ACCESSORIES							
SF-M	Metal sinter filter , Ø 16 mm, L = 32 mm, exchangeable stainless steel V4A (1.4404)					7000-0050-2200-100	43,60 €
WS-03	Weather and sun protection hood , 200 x 180 x 150 mm, stainless steel V2A (1.4301)					7100-0040-6000-000	46,08 €

for further information see see chapter Accessories!

**On-wall outdoor humidity sensors (± 2.0 %),
for mixture ratio, relative/absolute humidity,
dew point, enthalpy (switchable) and temperature,
with multi-range switching, with active output**

The universal humidity sensors **HYGRASGARD® AAVTF** are used to determine diverse characteristic variables in humidity measurement. The relative humidity and temperature of the ambient air are measured. From these measurands, the different characteristic variables are internally calculated.

For device version x-U, two outputs of 0 - 10V are available, for Version x-I two outputs of 4...20 mA. Here, the output variables for these outputs can be defined using DIP switches. Selectable for output 1 are relative humidity [% RH], absolute humidity [g/m³], mixture ratio [g/kg], dew point temperature [°C], or enthalpy [kJ/kg] (while neglecting the atmospheric air pressure). At output 2, four different measuring ranges for ambient temperature [°C] are selectable. Ex-factory condition (default) for output 1 is relative humidity 0...100% RH, for output 2 temperature measuring range 0...+50°C. Due to the different configuration alternatives provided, numerous measurement and control tasks can be solved by just one device. These devices must be operated in pollutant-free, non-precipitating air, with neither above-atmospheric nor below-atmospheric pressure at the sensors. Application examples include medical technology, refrigeration, air conditioning, and clean room technology. These sensors are suitable for wall mounting.

AAVTF
with plastic sinter filter
(standard)



SF-M
Metal sinter filter
(optional)



TECHNICAL DATA

Power supply:	24 V AC (± 20 %); 15...36 V DC for U variant 15...36 V DC for I variant, depending on working resistance, residual ripple stabilised ± 0.3 V
Working resistance:	$R_a(\text{ohm}) = (U_b - 14 \text{ V}) / 0.02 \text{ A}$ for I variant
Load resistance:	$R_L > 5 \text{ kOhm}$ for U variant
Power consumption:	< 1 W at 24 V DC; < 2 VA at 24 V AC
Sensors:	digital humidity sensor with integrated temperature sensor, low hysteresis, high long-term stability
Sensor protection:	plastic sinter filter, Ø 16 mm, L = 35 mm, exchangeable (optional metal sinter filter, Ø 16 mm, L = 32 mm)

HUMIDITY

Measuring range, humidity:	multi-range switching with 8 switchable measuring ranges (see table) 0...100% RH (default)
Operating range, humidity:	10...95% RH, without formation of dew
Deviation, humidity:	typically ± 2.0% (20...80% RH) at +25 °C, otherwise ± 3.0% Deviations of other outputs result from deviations of humidity and temperature.
Output 1, humidity:	0 - 10V for U variant (see table) 4...20 mA for I variant (see table)

TEMPERATURE

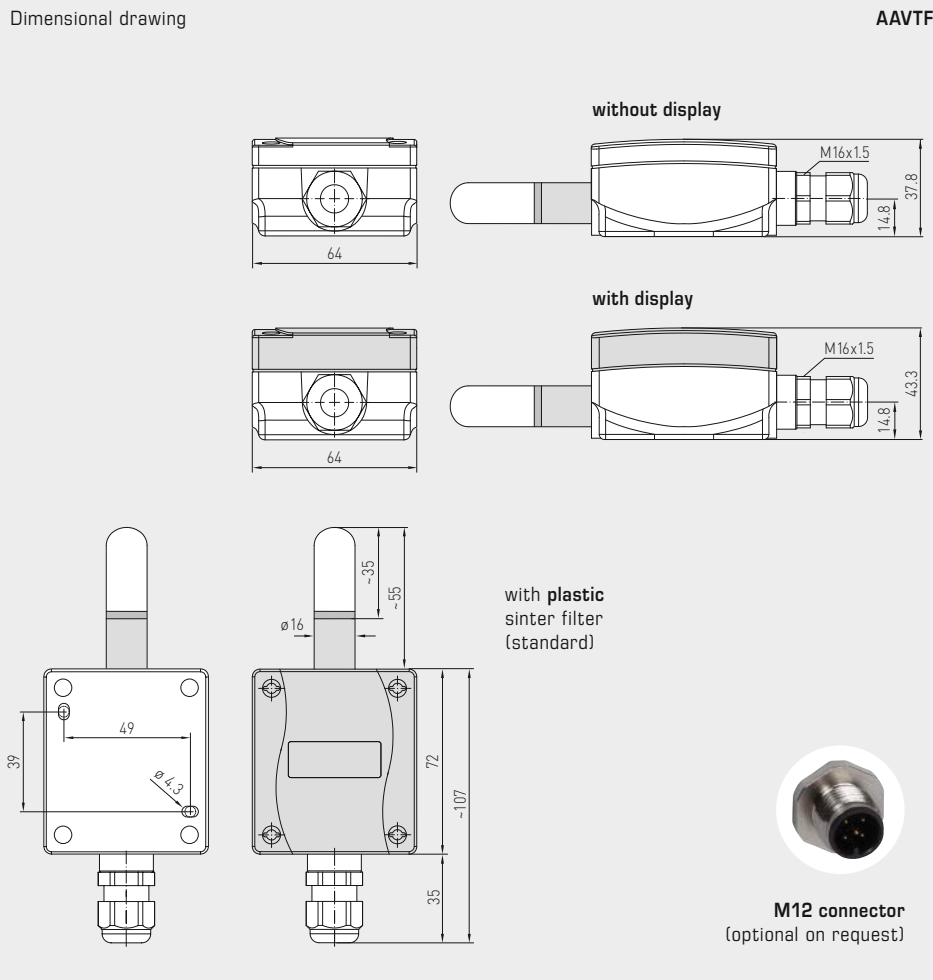
Measuring range, temperature:	multi-range switching with 4 switchable measuring ranges (see table) 0...+50°C (default); -20...+80°C; -35...+75°C; -35...+35°C
Operating range, temperature:	-35...+85°C sensors
Deviation, temperature:	typically ± 0.6 K at +25 °C
Output 2, temperature:	0 - 10V for U variant (see table) 4...20 mA for I variant (see table)
Ambient temperature:	storage -35...+85°C; operation -30...+70°C, non-precipitating
Electrical connection:	4-wire connection for U variant 3-wire connection for I variant (Transmitter) 0.14 - 1.5 mm², via terminal screws
Housing:	plastic, UV-resistant, material polyamide, 30% glass-globe reinforced, with quick-locking screws (slotted/Phillips head combination), colour traffic white (similar to RAL 9016), housing cover for display is transparent!
Housing dimensions:	72 x 64 x 37.8 mm (Tyr 1 without display) 72 x 64 x 43.3 mm (Tyr 1 with display)
Cable connection:	cable gland, plastic (M 16 x 1.5; with strain relief, exchangeable, max. inner diameter 10.4 mm) or M12 connector according to DIN EN 61076-2-101 (optional on request)
Protective tube:	stainless steel V2A (1.4301), Ø = 16 mm, NL = 55 mm
Process connection:	by screws
Protection class:	III (according to EN 60 730)
Protection type:	IP 65 (according to EN 60 529) Housing tested, TÜV SÜD, Report No. 713139052 (Tyr 1)
Standards:	CE conformity, electromagnetic compatibility according to EN 61 326, EMC directive 2014 / 30 / EU
Optional:	two-line display with illumination, cutout approx. 36x15 mm (W x H), for displaying actual temperature and actual humidity, as well as the selectable output variables

ACCESSORIES

see last chapter



On-wall outdoor humidity sensors ($\pm 2.0\%$),
for mixture ratio, relative/absolute humidity,
dew point, enthalpy (switchable) and temperature,
with multi-range switching, with active output



AAVTF
with display and
plastic sinter filter
(standard)



SF-M
Metal sinter filter
(optional)

M12 connector
(optional on request)



Temperature table
MR: -35...+75 °C

°C	U _A [V]	I _A [mA]
-35	0.0	4.0
-30	0.5	4.7
-25	0.9	5.5
-20	1.4	6.2
-15	1.8	6.9
-10	2.3	7.6
-5	2.7	8.4
0	3.2	9.1
5	3.6	9.8
10	4.1	10.5
15	4.5	11.3
20	5.0	12.0
25	5.5	12.7
30	5.9	13.5
35	6.4	14.2
40	6.8	14.9
45	7.3	15.6
50	7.7	16.4
55	8.2	17.1
60	8.6	17.8
65	9.1	18.5
70	9.5	19.2
75	10.0	20.0

Temperature table
MR: -35...+35 °C

°C	U _A [V]	I _A [mA]
-35	0.0	4.0
-30	0.7	5.1
-25	1.4	6.3
-20	2.1	7.4
-15	2.9	8.6
-10	3.6	9.7
-5	4.3	10.9
0	5.0	12.0
5	5.7	13.1
10	6.4	14.3
15	7.1	15.4
20	7.9	16.6
25	8.6	17.7
30	9.3	18.9
35	10.0	20.0

Temperature table
MR: 0...+50 °C

°C	U _A [V]	I _A [mA]
0	0.0	4.0
5	1.0	5.6
10	2.0	7.2
15	3.0	8.8
20	4.0	10.4
25	5.0	12.0
30	6.0	13.6
35	7.0	15.2
40	8.0	16.8
45	9.0	18.4
50	10.0	20.0

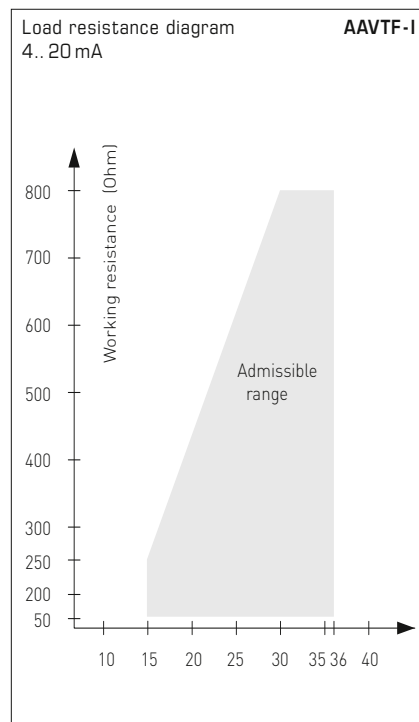
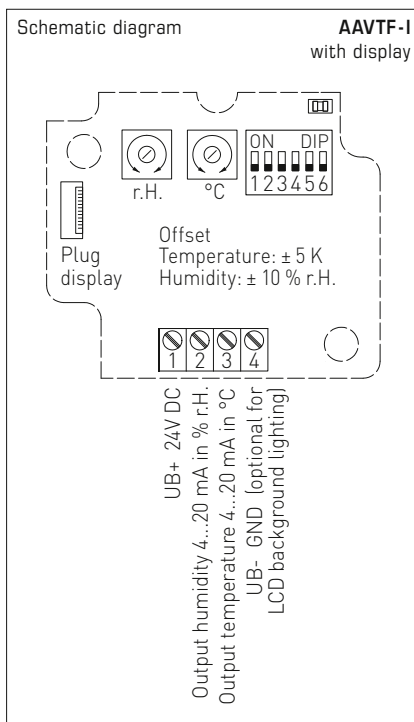
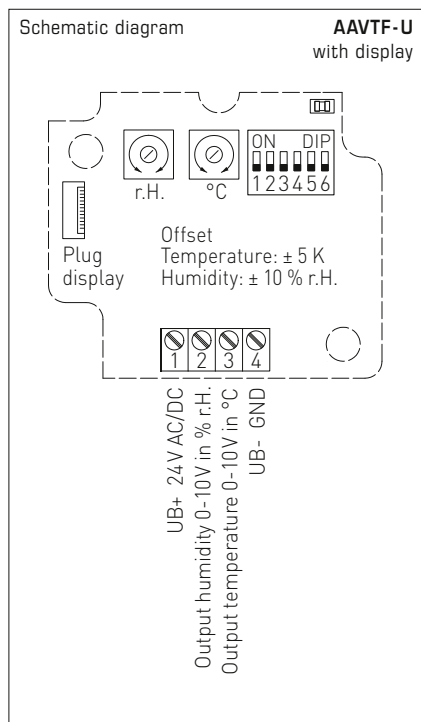
Temperature table
MR: -20...+80 °C

°C	U _A [V]	I _A [mA]
-20	0.0	4.0
-15	0.5	4.8
-10	1.0	5.6
-5	1.5	6.4
0	2.0	7.2
5	2.5	8.0
10	3.0	8.8
15	3.5	9.6
20	4.0	10.4
25	4.5	11.2
30	5.0	12.0
35	5.5	12.8
40	6.0	13.6
45	6.5	14.4
50	7.0	15.2
55	7.5	16.0
60	8.0	16.8
65	8.5	17.6
70	9.0	18.4
75	9.5	19.2
80	10.0	20.0

Humidity table
MR: 0...100 % RH

% RH	U _A [V]	I _A [mA]
0	0.0	4.0
5	0.5	4.8
10	1.0	5.6
15	1.5	6.4
20	2.0	7.2
25	2.5	8.0
30	3.0	8.8
35	3.5	9.6
40	4.0	10.4
45	4.5	11.2
50	5.0	12.0
55	5.5	12.8
60	6.0	13.6
65	6.5	14.4
70	7.0	15.2
75	7.5	16.0
80	8.0	16.8
85	8.5	17.6
90	9.0	18.4
95	9.5	19.2
100	10.0	20.0

On-wall outdoor humidity sensors ($\pm 2.0\%$),
for mixture ratio, relative/absolute humidity,
dew point, enthalpy (switchable) and temperature,
with multi-range switching, with active output



Temperature measuring ranges (adjustable)	DIP 1	DIP 2
0...+50 $^{\circ}\text{C}$ (default)	OFF	OFF
-20...+80 $^{\circ}\text{C}$	ON	OFF
-35...+75 $^{\circ}\text{C}$	OFF	ON
-35...+35 $^{\circ}\text{C}$	ON	ON

Switchable measuring ranges (adjustable)	DIP 3	DIP 4	DIP 5
RH: 0...100% (default)	OFF	OFF	OFF
MR: 0...50 g/kg	ON	OFF	OFF
MR: 0...80 g/kg	OFF	ON	OFF
A.H.: 0...50 g/m ³	OFF	OFF	ON
A.H.: 0...80 g/m ³	ON	ON	OFF
DP: 0...+50 $^{\circ}\text{C}$	ON	OFF	ON
DP: -20...+80 $^{\circ}\text{C}$	OFF	ON	ON
ENT.: 0...85 kJ/kg	ON	ON	ON

Possible parameters:

[RH] = relative humidity in %
[MR] = mixture ratio in g/kg
[A.H.] = absolute humidity in g/m³
[DP] = dew point in $^{\circ}\text{C}$
[ENT.] = enthalpy in kJ/kg

Service display/output (adjustable)	DIP 6
Display $^{\circ}\text{C}$ and % RH, output of set measurements via DIP 1-5 (service mode for setting $^{\circ}\text{C}$ and % RH)	ON
Display and output of set measurements via DIP 1-5	OFF

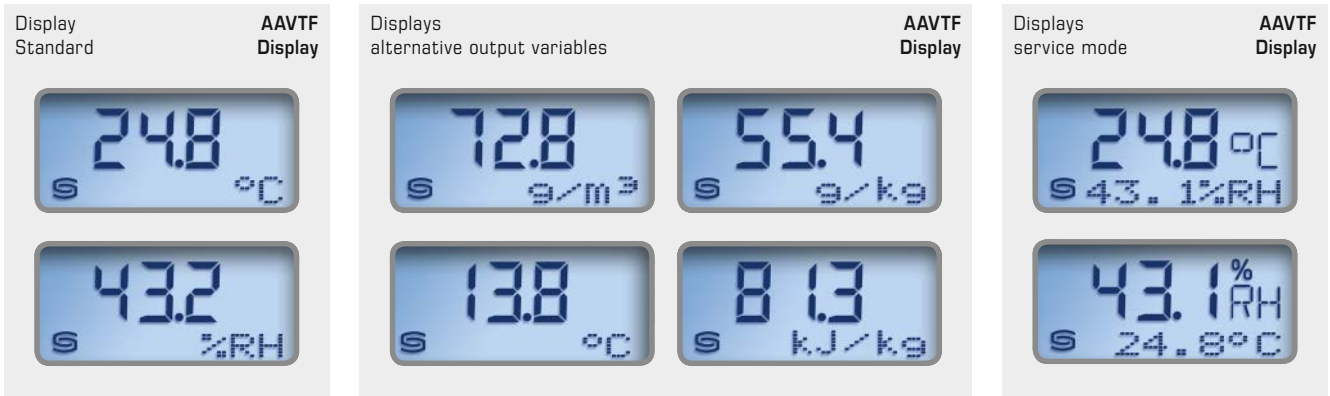




S+S REGELTECHNIK

HYGRASGARD® AAVTF

On-wall outdoor humidity sensors ($\pm 2.0\%$), for mixture ratio, relative/absolute humidity, dew point, enthalpy (switchable) and temperature, with multi-range switching, with active output



By default, the display alternates between the **actual temperature** and the **actual humidity** (relative humidity). In this case, the first line displays the value while the second line displays the corresponding unit:

Temperature in °C
Relative humidity in % RH

For improved legibility, backlighting is provided.

DIP switches can be used to display an **alternative output variable** instead of the standard display:

Absolute humidity in g/m³
Dew point in °C
Mixture ratio in g/kg
Enthalpy in kJ/kg

The **service mode** simultaneously displays (alternately in the first and second lines) the **actual temperature** and the **actual humidity** (relative humidity).

HYGRASGARD® AAVTF On-wall outdoor humidity sensors ($\pm 2.0\%$)

Type / WG01	Measuring Range Humidity	Temperature	Output Humidity	Temperature	Display	Item No.	Price
AAVTF-I	(switchable)	(switchable)				I-variant	
AAVTF-I	0...100% RH (default)	0...+50 °C (default)	4...20 mA	4...20 mA		1201-1162-6000-028	211,75 €
	0...50 g/kg (MR)	-20...+80 °C					
	0...80 g/kg (MR)	-35...+75 °C					
	0...50 g/m ³ (A.H.)	-35...+35 °C					
	0...80 g/m ³ (A.H.)						
	0...+50 °C (DP)						
	-20...+80 °C (DP)						
	0...85 kJ/kg (ENT.)						
AAVTF-I LCD	(8x as above)	(4x as above)	4...20 mA	4...20 mA	■	1201-1162-6200-028	263,08 €
AAVTF-U						U-variant	
AAVTF-U	(8x as above)	(4x as above)	0-10V	0-10V		1201-1161-6000-028	211,75 €
AAVTF-U LCD	(8x as above)	(4x as above)	0-10V	0-10V	■	1201-1161-6200-028	263,08 €
Extra charge:	Other non-standard ranges optional						153,95 €
Optional:	Cable connection with M12 connector according to DIN EN 61076-2-101						on request

ACCESSORIES

SF-M	Metal sinter filter, Ø 16 mm, L = 32 mm, exchangeable stainless steel V4A (1.4404)	7000-0050-2200-100	43,60 €
WS-01	Sun and ball-impact protection hood, 184 x 180 x 80 mm, stainless steel V2A (1.4301)	7100-0040-2000-000	32,72 €
WS-04	Weather and sun protection hood, 130 x 180 x 135 mm, stainless steel V2A (1.4301)	7100-0040-7000-000	38,61 €

For further information, see last chapter Accessories!

Duct humidity and temperature sensors ($\pm 1.8\%$ / $\pm 2.0\%$), including mounting flange, calibratable, with multi-range switching and active/passive output

Calibratable duct humidity-/temperature sensor **HYGRASGARD® KFF-SD/KFTF-SD** ($\pm 2,0\%$), with plastic sinter filter (optional metal sinter filter), housing made from impact-resistant plastic with snap-on lid, with cable gland (optional M12 connector according to DIN EN 61076-2-101).

Calibratable duct humidity-/temperature sensor **HYGRASGARD® KFF/KFTF** ($\pm 2,0\%$) or **KFF-20/KFTF-20** ($\pm 1,8\%$), with plastic sinter filter (optional metal sinter filter), housing made of impact-resistant plastic with quick-locking screws, optionally with/without display, with cable gland (optional M12 connector according to DIN EN 61076-2-101).

It measures the relative humidity and/or the temperature of the air and converts the measurands into a standard signal of 0-10V or 4...20mA. It has four switchable temperature ranges and is applied in non-aggressive dust-free atmospheres in refrigeration, air conditioning, ventilation and clean room technology. These measuring transducers are designed for exact detection of humidity. A digital long-term stable sensor is used as measuring element for humidity measurement. The sensor is factory-calibrated; an environmental precision adjustment by an expert is possible.

TECHNICAL DATA

Power supply:	24 V AC ($\pm 20\%$); 15...36 V DC for U variant 15...36 V DC for I variant, depending on working resistance, residual ripple stabilised ± 0.3 V
Working resistance:	$R_b(\text{ohm}) = (U_b - 14 \text{ V}) / 0.02 \text{ A}$ for I variant, see load resistance diagram
Load resistance:	$R_L > 5 \text{ kOhm}$ for U variant
Power consumption:	$< 1.1 \text{ VA} / 24 \text{ V DC}$; $< 2.2 \text{ VA} / 24 \text{ V AC}$
Sensors:	digital humidity sensor with integrated temperature sensor , low hysteresis, high long-term stability

HUMIDITY

Measuring range, humidity:	0...100% RH
Permissible air humidity:	$< 95\%$ RH, non-precipitating air
Deviation, humidity:	KFF / KFTF / KFF-SD / KFTF-SD: typically $\pm 2.0\%$ (20...80% RH) at $+25^\circ\text{C}$, otherwise $\pm 3.0\%$ KFF-20 / KFTF-20: typically $\pm 1.8\%$ (10...90% RH) at $+25^\circ\text{C}$, otherwise $\pm 2.0\%$
Output, humidity:	0-10 V for U variant; 4...20 mA for I variant

TEMPERATURE

Measuring range, temperature:	multi-range switching with 4 switchable measuring ranges (see table) $-35...+35^\circ\text{C}$; $-35...+75^\circ\text{C}$; $0...+50^\circ\text{C}$; $0...+80^\circ\text{C}$
Ambient temperature:	storage $-35...+85^\circ\text{C}$; operation $-30...+75^\circ\text{C}$, non-precipitating
Deviation, temperature:	typically $\pm 0.2 \text{ K}$ at $+25^\circ\text{C}$
Output, temperature:	0-10 V for U variant; 4...20 mA for I variant; KFTF-Uxx (passive temperature sensor) see table
Electrical connection:	2-, 3-, or 4-wire connection (see connecting diagram), $0.14 - 1.5 \text{ mm}^2$, via terminal screws

Cable connection: **cable gland**, plastic (M 16 x 1.5; with strain relief, exchangeable, max. inner diameter 10.4 mm) or **M12 connector** according to DIN EN 61076-2-101 (optional)

Housing: plastic, UV-resistant, material polyamide, 30% glass-globe reinforced, with quick-locking screws (slotted / Phillips head combination), colour traffic white (similar to RAL 9016), housing cover for display is transparent!

Housing dimensions: **KFF-xx / KFTF-xx** (without display): 72 x 64 x 37.8 mm (Tyr 1/01)
KFF / KFTF (with display): 72 x 64 x 43.3 mm (Tyr 1)
KFF-20 / KFTF-20 (with display): 26 x 90 x 50 mm (Tyr 2)

Protective tube: **PLEUROFORM™**, material polyamide (PA6), with torsion protection $\varnothing 20 \text{ mm}$, NL = 235 mm (optionally 100 mm), $v_{\text{max}} = 30 \text{ m/s}$ (air) (on request, optional **stainless steel V2A** (1.4301), $\varnothing 16 \text{ mm}$)

Sensor protection: **plastic sinter filter**, $\varnothing 16 \text{ mm}$, L = 35 mm, exchangeable (optional **metal sinter filter**, $\varnothing 16 \text{ mm}$, L = 32 mm)

Process connection: by mounting flange, plastic (included in the scope of delivery)

Long-term stability: $\pm 1\%$ per year

Protection class: III (according to EN 60 730)

Protection type: **KFF-SD / KFTF-SD** **IP 54** (according to EN 60 529) Housing tested, TÜV SÜD, Report No. 713160960A (Tyr 01)
KFF-xx / KFTF-xx **IP 65** (according to EN 60 529) Housing tested, TÜV SÜD, Report No. 713139052 (Tyr 1)

Standards: CE conformity, according to EMC directive 2014 / 30 / EU, according to EN 61326-1, according to EN 61326-2-3

Optional: **display with illumination**, for displaying ACTUAL temperature and / or ACTUAL humidity
KFF / KFTF (Tyr 1): two-line, cutout approx. 36x15 mm (W x H)
KFF-20 / KFTF-20 (Tyr 2): three-line, cutout approx. 70x40 mm (W x H)

ACCESSORIES see last chapter

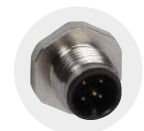
SF-K
Plastic sinter filter (standard)



SF-M
Metal sinter filter (optional)



Protective tube stainless steel (optional on request)

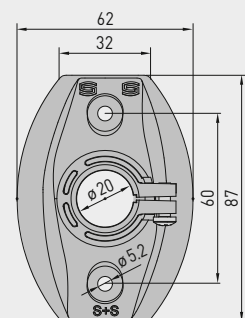
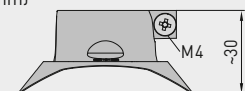


M12 connector (optional)

MFT-20-K
Mounting flange, plastic



Dimensional drawing (mm) **MFT-20-K**

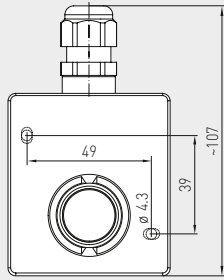
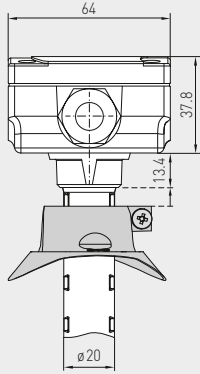




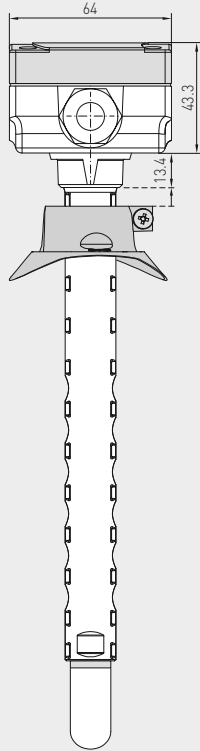
Duct humidity and temperature sensors ($\pm 1.8\%$ / $\pm 2.0\%$),
including mounting flange, calibratable, with multi-range switching
and active/passive output

Dimensional drawing
[mm]

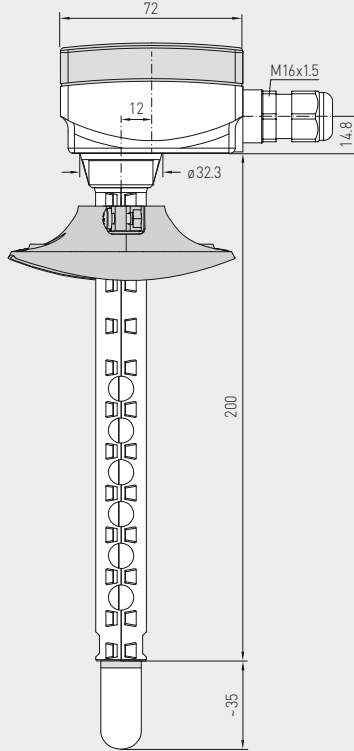
without display



with display



KFF/KFTF with/without display
KFF-SD/KFTF-SD without display
KFF-20/KFTF-20 without display

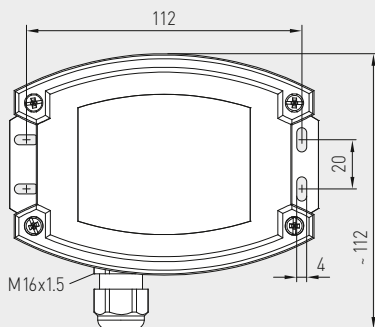
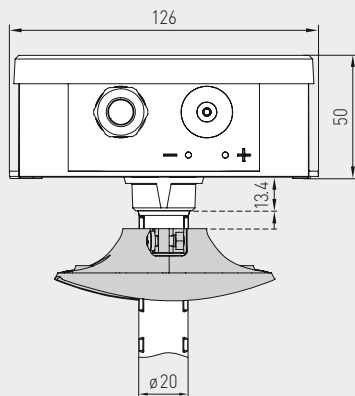


KFF-SD/KFTF-SD ($\pm 2.0\%$)
with snap-on lid
(IP54)

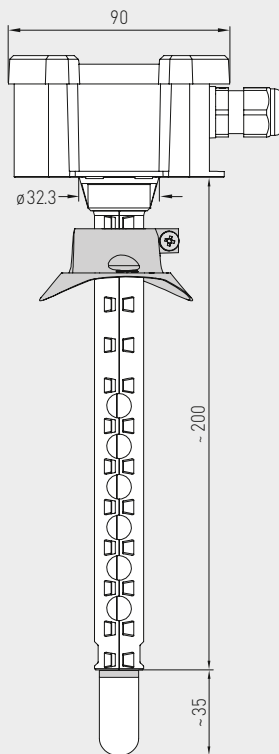


KFF/KFTF ($\pm 2.0\%$)
KFF-20/KFTF-20 ($\pm 1.8\%$)
without display
(IP65)

Dimensional drawing
[mm]



KFF-20/KFTF-20 with display

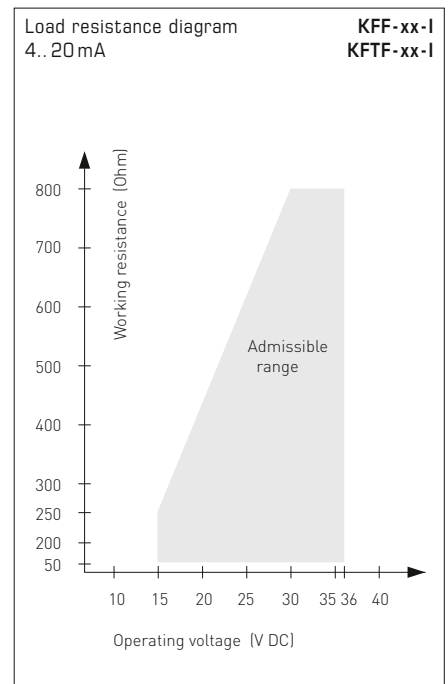
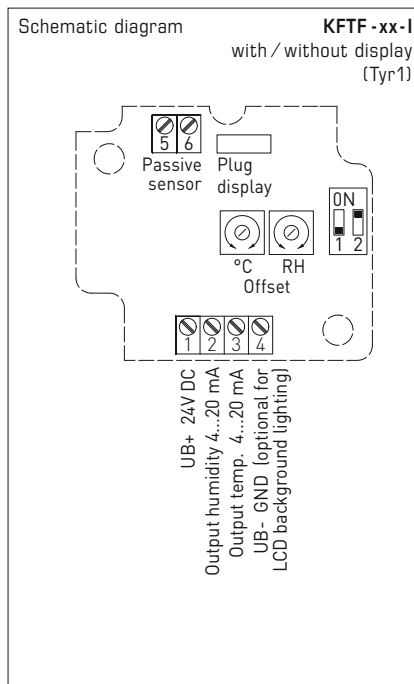
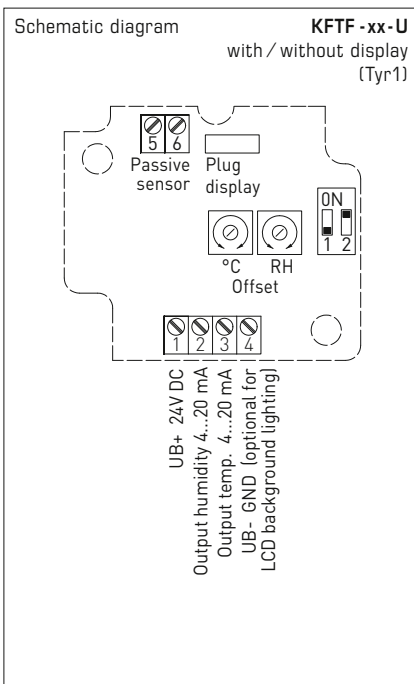
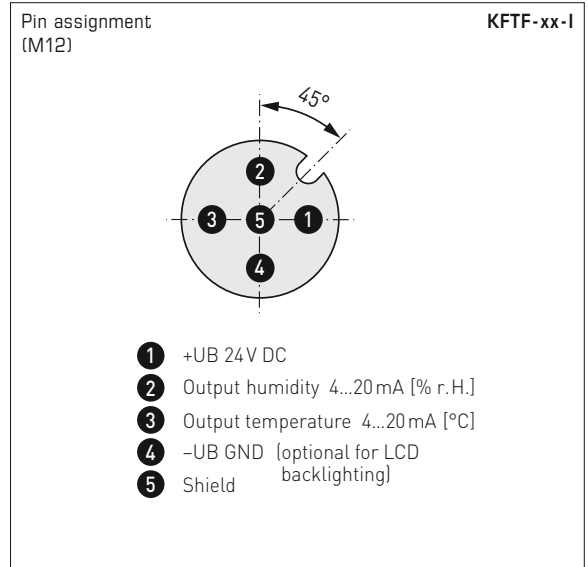
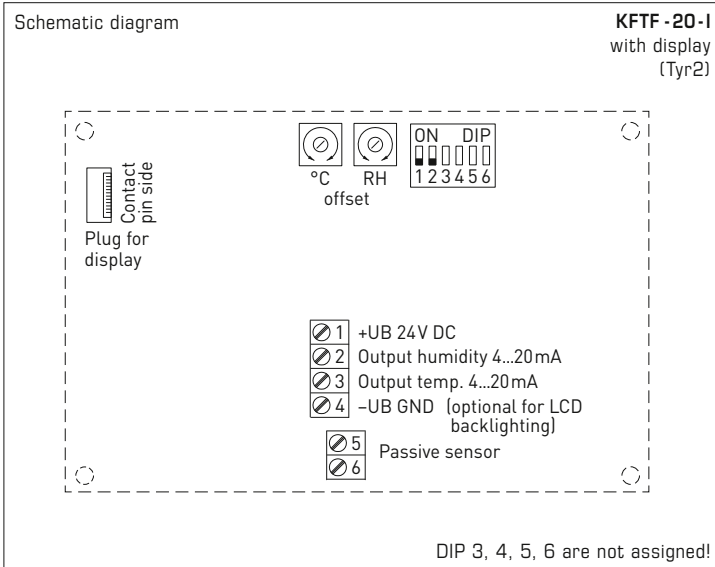
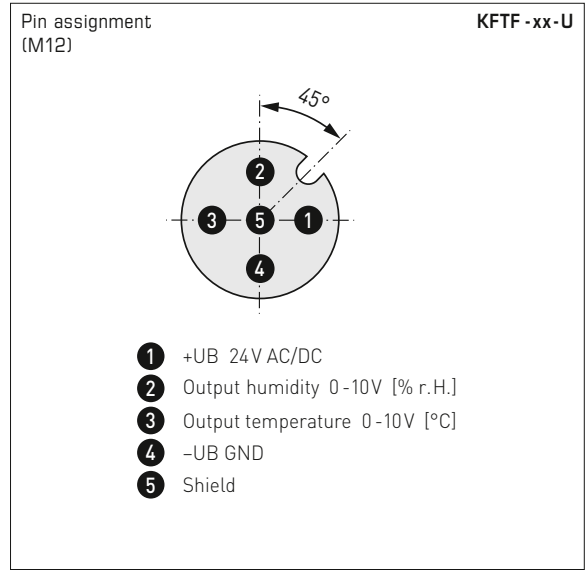
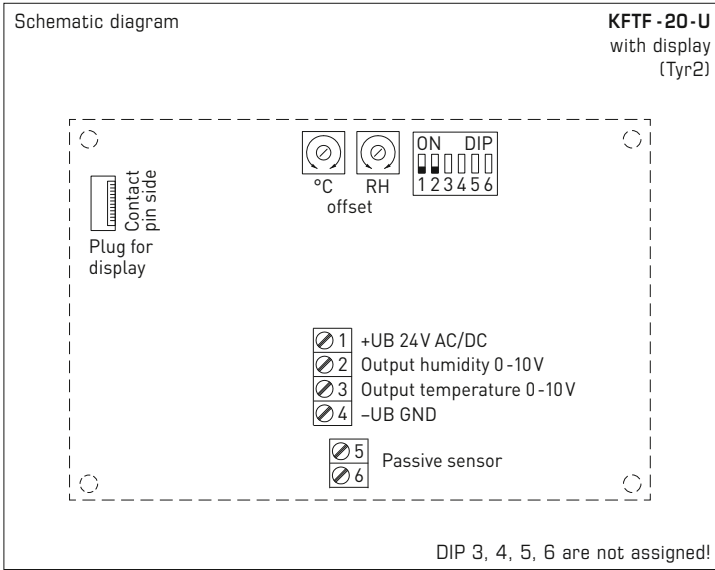


KFF/KFTF ($\pm 2.0\%$)
with display
(IP65)



KFF-20/KFTF-20 ($\pm 1.8\%$)
with display
(IP65)

Duct humidity and temperature sensors ($\pm 1.8\%$ / $\pm 2.0\%$), including mounting flange, calibratable, with multi-range switching and active/passive output





Duct humidity and temperature sensors ($\pm 1.8\%$ / $\pm 2.0\%$), including mounting flange, calibratable, with multi-range switching and active/passive output

3-wire connection **KFF-xx-U**

1	+UB 24V AC/DC
2	Output humidity 0-10V
3	Free
4	-UB-GND

2- or 3-wire connection * **KFF-xx-I (Transmitter)**

1	+UB 24V DC
2	Output humidity 4...20mA
3	Free
4	-UB-GND (optional for backlighting)

4- or 6-wire connection **KFTF-U (passive temperature sensor)**

1	+UB 24V AC/DC
2	Output humidity 0-10V
3	Output temperature 0-10V
4	-UB-GND
5	Passive element
6	e.g. Pt1000, Ni1000, LMZ235Z

4-wire connection **KFTF-xx-U**

1	+UB 24V AC/DC
2	Output humidity 0-10V
3	Output temperature 0-10V
4	-UB-GND

3- or 4-wire connection ** **KFTF-xx-I (Transmitter)**

1	+UB 24V DC
2	Output humidity 4...20mA
3	Output temp. 4...20mA
4	-UB-GND (optional for backlighting)

4- or 6-wire connection **KFTF-I (passive temperature sensor)**

1	+UB 24V DC
2	Output humidity 4...20mA
3	Output temp. 4...20mA
4	-UB-GND (optional for backlighting)
5	Passive element
6	e.g. Pt1000, Ni1000, LMZ235Z

Temperature measuring ranges (adjustable)	DIP 1	DIP 2
-35...+75 °C	ON	ON
-35...+35 °C	OFF	OFF
0...+50 °C (default)	OFF	ON
0...+80 °C	ON	OFF

Connection*:
2-wire connection for devices with/without display (not illuminated)
3-wire connection for devices with illuminated display

Connection**:
3-wire connection for devices with/without display (not illuminated)
4-wire connection for devices with illuminated display

For the I variant the humidity path must be connected!

Temperature table
MR: -35...+75 °C

°C	U _A [V]	I _A [mA]
-35	0.0	4.0
-30	0.5	4.7
-25	0.9	5.5
-20	1.4	6.2
-15	1.8	6.9
-10	2.3	7.6
-5	2.7	8.4
0	3.2	9.1
5	3.6	9.8
10	4.1	10.5
15	4.5	11.3
20	5.0	12.0
25	5.5	12.7
30	5.9	13.5
35	6.4	14.2
40	6.8	14.9
45	7.3	15.6
50	7.7	16.4
55	8.2	17.1
60	8.6	17.8
65	9.1	18.5
70	9.5	19.2
75	10.0	20.0

Temperature table
MR: -35...+35 °C

°C	U _A [V]	I _A [mA]
-35	0.0	4.0
-30	0.7	5.1
-25	1.4	6.3
-20	2.1	7.4
-15	2.9	8.6
-10	3.6	9.7
-5	4.3	10.9
0	5.0	12.0
5	5.7	13.1
10	6.4	14.3
15	7.1	15.4
20	7.9	16.6
25	8.6	17.7
30	9.3	18.9
35	10.0	20.0

Temperature table
MR: 0...+50 °C

°C	U _A [V]	I _A [mA]
0	0.0	4.0
5	1.0	5.6
10	2.0	7.2
15	3.0	8.8
20	4.0	10.4
25	5.0	12.0
30	6.0	13.6
35	7.0	15.2
40	8.0	16.8
45	9.0	18.4
50	10.0	20.0

Temperature table
MR: 0...+80 °C

°C	U _A [V]	I _A [mA]
0	0.0	4.0
5	0.6	5.0
10	1.3	6.0
15	1.9	7.0
20	2.5	8.0
25	3.1	9.0
30	3.8	10.0
35	4.4	11.0
40	5.0	12.0
45	5.6	13.0
50	6.3	14.0
55	6.9	15.0
60	7.5	16.0
65	8.1	17.0
70	8.8	18.0
75	9.4	19.0
80	10.0	20.0

Humidity table
MR: 0...100% RH

% RH	U _A [V]	I _A [mA]
0	0.0	4.0
5	0.5	4.8
10	1.0	5.6
15	1.5	6.4
20	2.0	7.2
25	2.5	8.0
30	3.0	8.8
35	3.5	9.6
40	4.0	10.4
45	4.5	11.2
50	5.0	12.0
55	5.5	12.8
60	6.0	13.6
65	6.5	14.4
70	7.0	15.2
75	7.5	16.0
80	8.0	16.8
85	8.5	17.6
90	9.0	18.4
95	9.5	19.2
100	10.0	20.0

Duct humidity and temperature sensors ($\pm 2.0\%$), including mounting flange, calibratable, with multi-range switching and active output

KFF-SD / KFTF-SD
with snap-on lid
(IP 54)



HYGRASGARD® KFF -SD Duct humidity sensors ($\pm 2.0\%$), *Standard*
HYGRASGARD® KFTF -SD Duct humidity and temperature sensors ($\pm 2.0\%$), *Standard*

Type / WG01B	Measuring Range / Readout		Output		Item No.	Price
	Humidity	Temperature	Humidity	Temperature		
KFF-SD					IP 54	
KFF-SD-I	0...100% RH	–	4...20 mA	–	1201-3182-0000-029	167,18 €
KFF-SD-U	0...100% RH	–	0-10V	–	1201-3181-0000-029	167,18 €
KFTF-SD					IP 54	
KFTF-SD-I	0...100% RH	–35...+75 °C –35...+35 °C 0...+50 °C 0...+80 °C	4...20 mA	4...20 mA	1201-3182-1000-029	171,76 €
KFTF-SD-U	0...100% RH	(4x as above)	0-10V	0-10V	1201-3181-1000-029	171,76 €
Optional:	Cable connection with M12 connector according to DIN EN 61076-2-101 shortened protective tube PLEUROFORM™ , NL = 100 mm				on request	on request

ACCESSORIES

SF-M	Metal sinter filter, \varnothing 16 mm, L = 32 mm, exchangeable stainless steel V4A (1.4404)	7000-0050-2200-100	43,60 €
-------------	-------------------------------------------------------------------------------------------------------	--------------------	----------------

For further information, see chapter Accessories!



KFF / KFTF
with quick-locking screws
(IP65)



HYGRASGARD® KFF		Duct humidity sensors ($\pm 2.0\%$), <i>Standard</i>				Display	Item No.	Price
HYGRASGARD® KFTF		Duct humidity and temperature sensors ($\pm 2.0\%$), <i>Standard</i>						
Type / WG01	Measuring Range / Readout		Output		Humidity	Temperature		
	Humidity	Temperature	Humidity	Temperature				
KFF							IP65	
KFF-I	0...100% RH	-	4...20 mA	-			1201-3112-0000-029	179,64 €
KFF-I LCD	0...100% RH	-	4...20 mA	-	■		1201-3112-0200-029	232,09 €
KFF-U	0...100% RH	-	0-10 V	-			1201-3111-0000-029	179,64 €
KFF-U LCD	0...100% RH	-	0-10 V	-	■		1201-3111-0200-029	232,09 €
KFTF							IP65	
KFTF-I	0...100% RH	-35...+75 °C -35...+35 °C 0...+50 °C 0...+80 °C	4...20 mA	4...20 mA			1201-3112-1000-029	184,23 €
KFTF-I LCD	0...100% RH	(4x as above)	4...20 mA	4...20 mA	■		1201-3112-1200-029	236,68 €
KFTF-U	0...100% RH	-35...+75 °C -35...+35 °C 0...+50 °C 0...+80 °C	0-10 V	0-10 V			1201-3111-1000-029	184,23 €
KFTF-U LCD	0...100% RH	(4x as above)	0-10 V	0-10 V	■		1201-3111-1200-029	236,68 €
Optional:	Cable connection with M12 connector according to DIN EN 61076-2-101 shortened protective tube PLEUROFORM™ , NL = 100 mm						on request on request	

HYGRASGARD® KFTF - U xx		Duct humidity and temperature sensors ($\pm 2.0\%$), <i>Standard</i> (passive temperature sensor)				Item No.	Price	
Type / WG01	Measuring Range / Readout		Output		Humidity			Temperature
	Humidity	Temperature	Humidity	Temperature				
KFTF - U xx	Pt, Ni, LM235Z, NTC						IP65	
KFTF-U Pt100	0...100% RH	-35...+75 °C -35...+35 °C 0...+50 °C 0...+80 °C	0-10 V	0-10 V + Pt100			1201-3111-2001-029	191,44 €
KFTF-U Pt1000	0...100% RH	(4x as above)	0-10 V	0-10 V + Pt1000			1201-3111-2005-029	192,10 €
KFTF-U Ni1000	0...100% RH	(4x as above)	0-10 V	0-10 V + Ni1000			1201-3111-2009-029	192,75 €
KFTF-U NiTK	0...100% RH	(4x as above)	0-10 V	0-10 V + Ni1000TK5000			1201-3111-2010-029	193,79 €
KFTF-U LM235Z	0...100% RH	(4x as above)	0-10 V	0-10 V + LM235Z , 10mV/K			1201-3111-2021-029	192,49 €
KFTF-U NTC1,8K	0...100% RH	(4x as above)	0-10 V	0-10 V + NTC 1,8kOhm			1201-3111-2012-029	192,75 €
KFTF-U NTC10K	0...100% RH	(4x as above)	0-10 V	0-10 V + NTC 10kOhm			1201-3111-2015-029	191,57 €
KFTF-U NTC20K	0...100% RH	(4x as above)	0-10 V	0-10 V + NTC 20kOhm			1201-3111-2016-029	191,57 €
Optional:	Cable connection with M12 connector according to DIN EN 61076-2-101 shortened protective tube PLEUROFORM™ , NL = 100 mm						on request on request	

Duct humidity and temperature sensors ($\pm 1.8\%$),
incl. mounting flange, calibratable, with multi-range switching
and active output

KFTF-20-Q

with M12 connector,
with display (Tyr2)

KFTF-20-Q

with M12 connector,
without display (Tyr1)



HYGRASGARD® KFTF-20-Q		Duct humidity and temperature sensors ($\pm 1.8\%$), <i>Premium</i> (with M12 connector)					
Type / WG02	Measuring Range / Readout Humidity	Temperature	Output Humidity	Temperature	Display ● = Q	Item No.	Price
KFTF-20-Q						IP 65	
KFTF-20-I Q	0...100% RH	-35...+75 °C -35...+35 °C 0...+50 °C 0...+80 °C	4... 20 mA	4... 20 mA	●	2003-4151-2100-001	315,96 €
KFTF-20-I Q LCD	0...100% RH	(4x as above)	4... 20 mA	4... 20 mA	● ■	2003-4172-2100-001	365,78 €
KFTF-20-U Q	0...100% RH	-35...+75 °C -35...+35 °C 0...+50 °C 0...+80 °C	0-10V	0-10V	●	2003-4151-1100-001	315,96 €
KFTF-20-U Q LCD	0...100% RH	(4x as above)	0-10V	0-10V	● ■	2003-4172-1100-001	365,78 €
Housing variant "Q":		Cable connection with M12 connector (male, 5-pin, A-code)					

ACCESSORIES			
SF-M	Metal sinter filter, \varnothing 16 mm, L = 32 mm, exchangeable stainless steel V4A (1.4404)	7000-0050-2200-100	43,60 €
For further information, see chapter Accessories!			



S+S REGELTECHNIK

HYGRASGARD® KFF-20
HYGRASGARD® KFTF-20

Duct humidity and temperature sensors ($\pm 1.8\%$),
incl. mounting flange, calibratable, with multi-range switching
and active output



KFF-20 / KFTF-20

with cable gland,
with display (Tyr2)



KFF-20 / KFTF-20

with cable gland,
without display (Tyr1)



HYGRASGARD® KFF-20		Duct humidity sensors ($\pm 1.8\%$), <i>Premium</i> (with cable gland)					
Type / WG02	Measuring Range / Readout Humidity	Readout Temperature	Output Humidity	Temperature	Display	Item No.	Price
KFF-20						IP65	
KFF-20-I	0...100% RH	-	4... 20 mA	-		1201-3112-0000-030	248,48 €
KFF-20-I LCD	0...100% RH	-	4... 20 mA	-	■	1201-8112-0400-030	300,92 €
KFF-20-U	0...100% RH	-	0-10 V	-		1201-3111-0000-030	248,48 €
KFF-20-U LCD	0...100% RH	-	0-10 V	-	■	1201-8111-0400-030	300,92 €
Housing variant:	Cable connection with cable gland (M12 connector on request)						

HYGRASGARD® KFTF-20		Duct humidity and temperature sensors ($\pm 1.8\%$), <i>Premium</i> (with cable gland)					
Type / WG02	Measuring Range / Readout Humidity	Readout Temperature	Output Humidity	Temperature	Display	Item No.	Price
KFTF-20						IP65	
KFTF-20-I	0...100% RH	-35...+75 °C -35...+35 °C 0...+50 °C 0...+80 °C	4... 20 mA	4... 20 mA		1201-3112-1000-030	272,77 €
KFTF-20-I LCD	0...100% RH	(4x as above)	4... 20 mA	4... 20 mA	■	1201-8112-1400-030	322,62 €
KFTF-20-U	0...100% RH	-35...+75 °C -35...+35 °C 0...+50 °C 0...+80 °C	0-10 V	0-10 V		1201-3111-1000-030	272,77 €
KFTF-20-U LCD	0...100% RH	(4x as above)	0-10 V	0-10 V	■	1201-8111-1400-030	322,62 €
Housing variant:	Cable connection with cable gland (M12 connector see KFTF-20-Q)						

ACCESSORIES								
SF-M	Metal sinter filter, \varnothing 16 mm, L=32 mm, exchangeable stainless steel V4A (1.4404)						7000-0050-2200-100	43,60 €
For further information, see chapter Accessories!								

**Duct humidity and temperature sensors ($\pm 1.8\%$),
calibratable, with multi-range switching
and active output**

Calibratable humidity and temperature sensor **HYGRASGARD® KFTF-20-VA** ($\pm 1.8\%$) with metal sinter filter, rugged housing, **stainless steel V4A**, optionally with /without display, with cable gland or M12 connector according to DIN EN 61076-2-101.

It measures the relative humidity and the temperature of the air and converts the measurand into a standard signal of 0 - 10 V or 4...20 mA. It has four switchable temperature ranges and is applied in non-aggressive dust-free atmospheres in refrigeration, air conditioning, ventilation and clean room technology. These measuring transducers are designed for exact detection of humidity. A digital long-term stable sensor is used as measuring element for humidity measurement. The sensor is factory-calibrated; an environmental precision adjustment by an expert is possible.

TECHNICAL DATA

Power supply:	24 V AC ($\pm 20\%$); 15...36 V DC for U variant 15...36 V DC for I variant, depending on working resistance, residual ripple stabilised $\pm 0.3V$
Working resistance:	$R_b \text{ (ohm)} = (U_b - 14 V) / 0.02 A$ for I variant, see load resistance diagram
Load resistance:	$R_L > 5 k\Omega$ for U variant
Sensors:	digital humidity sensor with integrated temperature sensor , low hysteresis, high long-term stability

HUMIDITY

Measuring range, humidity:	0...100% RH
Permitted humidity:	< 95% RH, non-precipitating air
Deviation in humidity:	typically $\pm 1.8\%$ (10...90% RH) at +25 °C, otherwise $\pm 2.0\%$
Output humidity:	0 - 10 V for U variant 4...20 mA for I variant

TEMPERATURE

Measuring range, temperature:	multi-range switching (see table) -35...+35 °C; -35...+75 °C; 0...+50 °C; 0...+80 °C
Ambient temperature:	storage -35...+85 °C; operation -30...+80 °C, non-precipitating
Deviation, temperature:	typically $\pm 0.2 K$ at +25 °C
Output, temperature:	0 - 10 V for U variant 4...20 mA for I variant
Electrical connection:	2-, 3-, or 4-wire connection (see connection diagram), 0.14 - 1.5 mm ² , via terminal screws
Cable connection:	cable gland, stainless steel V2A (1.4305) (M20 x 1.5; with strain relief, exchangeable, inner diameter 6 - 12 mm) or M12 connector (male, 5-pin, A-code) according to DIN EN 61076-2-101
Housing:	stainless steel V4A (1.4571), with non-distortion cover bolting, impact resistant, high EMI shielding, corrosion, temperature, weather- and UV-resistant
Housing dimensions:	143 x 97 x 61 mm (Tyr 2E)
Protective tube:	made from stainless steel V2A (1.4301), \varnothing 16 mm, NL = 197 mm
Sensor protection:	metal sinter filter , \varnothing 16 mm, L = 32 mm, exchangeable, stainless steel V4A (1.4404)
Process connection:	by screws via the mounting fixture on the housing
Long-term stability:	$\pm 1\%$ per year
Protection class:	III (according to EN 60730)
Protection type:	IP 65 (according to EN 60529) Housing tested, TÜV SÜD, Report No. 713160960B (Skadi2)
Standards:	CE conformity according to EMC Directive 2014/30/EU, according to EN 61326-1, according to EN 61326-2-3
Optional:	display with illumination , three-line, cutout approx. 70 x 40 mm (W x H), to display the ACTUAL temperature and ACTUAL humidity
ACCESSORIES	(see table)

KFTF-20-VA
with cable gland



KFTF-20-VAQ
with M12 connector





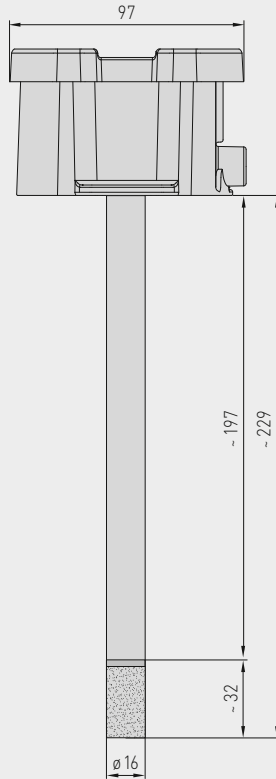
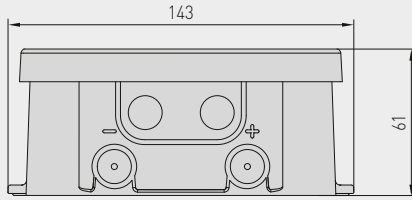
Duct humidity and temperature sensors ($\pm 1.8\%$), calibratable, with multi-range switching and active output



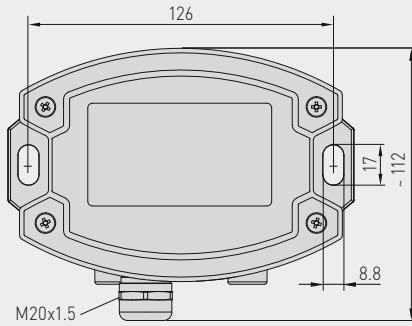
Dimensional drawing [mm]

KFTF-20-VA

KFTF-20-VA with cable gland and display

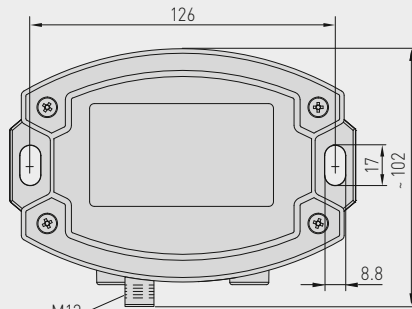


Housing with cable gland



M20x1.5

Housing with M12 connector



M12



SF-M Metal sinter filter (standard)

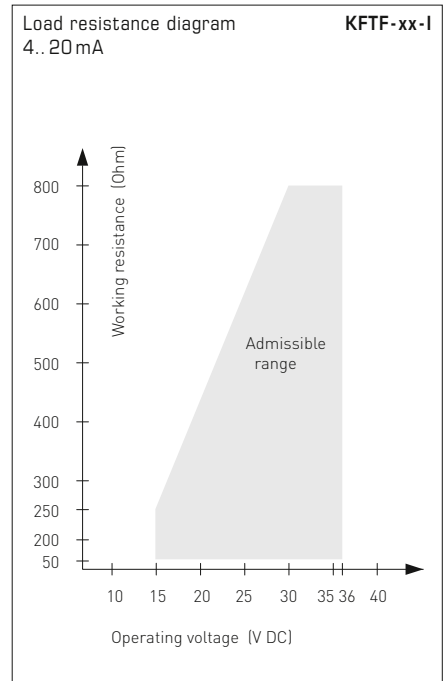
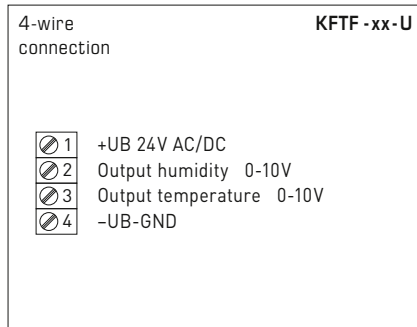
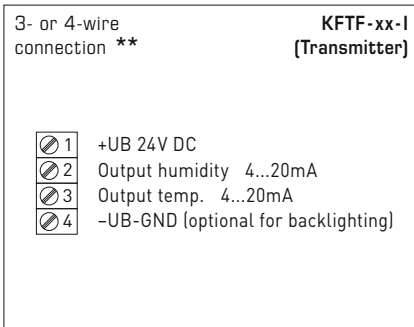
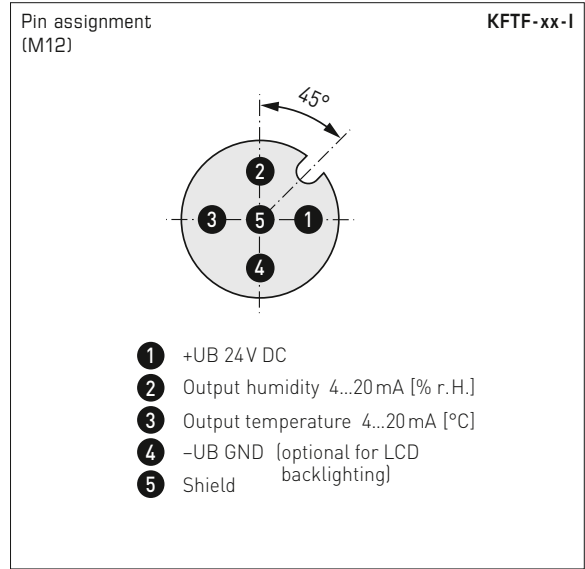
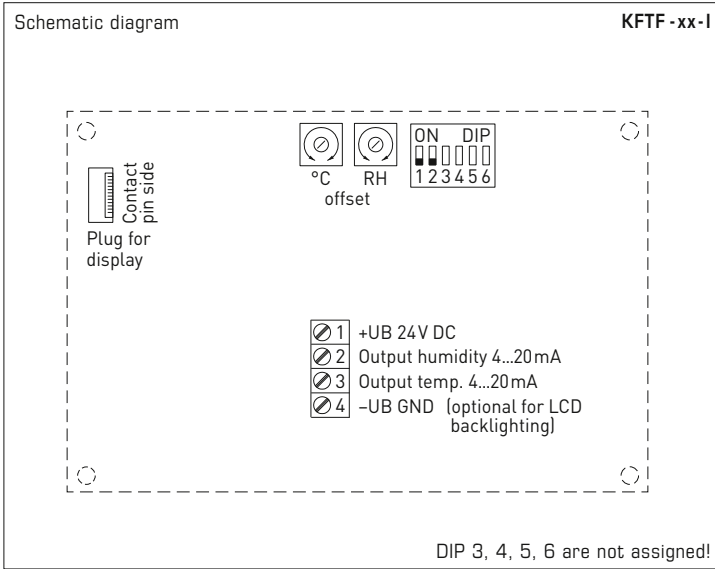
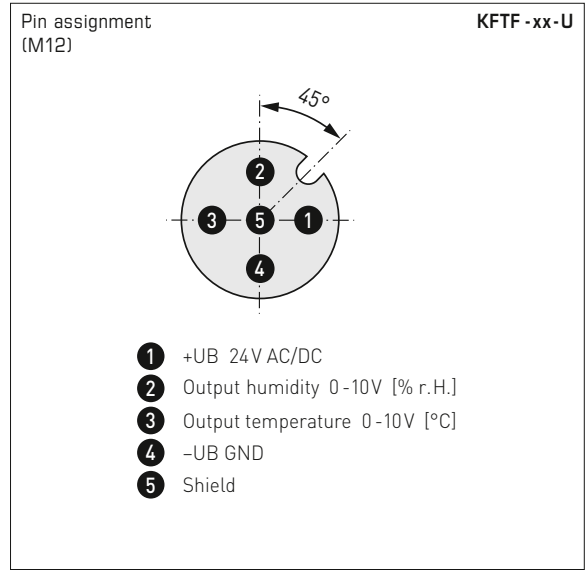
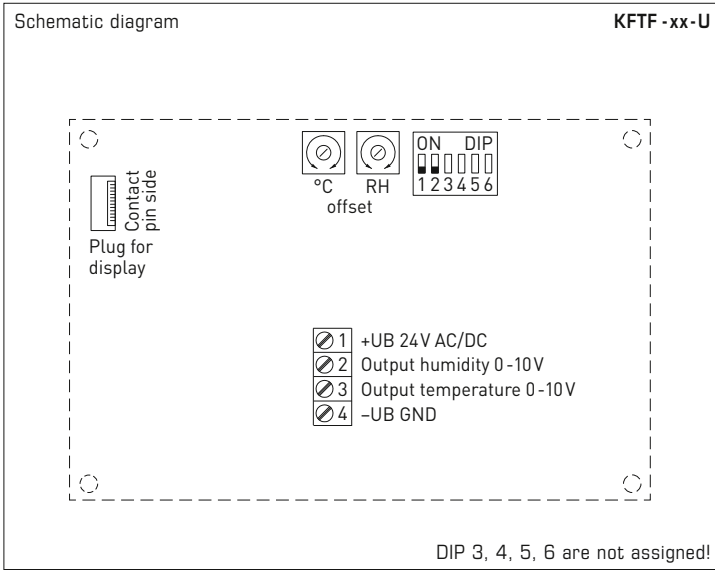


M12 connector (male)

KFTF-20-VAQ with M12 connector and display



Duct humidity and temperature sensors ($\pm 1.8\%$),
calibratable, with multi-range switching
and active output



Connection **: 3-wire connection for devices with/without display (not illuminated)
4-wire connection for devices with illuminated display

For the **I** variant the humidity path must be connected!

Temperature measuring ranges (adjustable)	DIP 1	DIP 2
-35...+75 °C	ON	ON
-35...+35 °C	OFF	OFF
0...+50 °C (default)	OFF	ON
0...+80 °C	ON	OFF



Duct humidity and temperature sensors (± 1.8%),
calibratable, with multi-range switching
and active output

KFTF-20-VAQ
with display,
hinged



Temperature table
MR: -35...+75 °C

°C	U _A [V]	I _A [mA]
-35	0.0	4.0
-30	0.5	4.7
-25	0.9	5.5
-20	1.4	6.2
-15	1.8	6.9
-10	2.3	7.6
-5	2.7	8.4
0	3.2	9.1
5	3.6	9.8
10	4.1	10.5
15	4.5	11.3
20	5.0	12.0
25	5.5	12.7
30	5.9	13.5
35	6.4	14.2
40	6.8	14.9
45	7.3	15.6
50	7.7	16.4
55	8.2	17.1
60	8.6	17.8
65	9.1	18.5
70	9.5	19.2
75	10.0	20.0

Temperature table
MR: -35...+35 °C

°C	U _A [V]	I _A [mA]
-35	0.0	4.0
-30	0.7	5.1
-25	1.4	6.3
-20	2.1	7.4
-15	2.9	8.6
-10	3.6	9.7
-5	4.3	10.9
0	5.0	12.0
5	5.7	13.1
10	6.4	14.3
15	7.1	15.4
20	7.9	16.6
25	8.6	17.7
30	9.3	18.9
35	10.0	20.0

Temperature table
MR: 0...+50 °C

°C	U _A [V]	I _A [mA]
0	0.0	4.0
5	1.0	5.6
10	2.0	7.2
15	3.0	8.8
20	4.0	10.4
25	5.0	12.0
30	6.0	13.6
35	7.0	15.2
40	8.0	16.8
45	9.0	18.4
50	10.0	20.0

Temperature table
MR: 0...+80 °C

°C	U _A [V]	I _A [mA]
0	0.0	4.0
5	0.6	5.0
10	1.3	6.0
15	1.9	7.0
20	2.5	8.0
25	3.1	9.0
30	3.8	10.0
35	4.4	11.0
40	5.0	12.0
45	5.6	13.0
50	6.3	14.0
55	6.9	15.0
60	7.5	16.0
65	8.1	17.0
70	8.8	18.0
75	9.4	19.0
80	10.0	20.0

Humidity table
MR: 0...100% RH

% RH	U _A [V]	I _A [mA]
0	0.0	4.0
5	0.5	4.8
10	1.0	5.6
15	1.5	6.4
20	2.0	7.2
25	2.5	8.0
30	3.0	8.8
35	3.5	9.6
40	4.0	10.4
45	4.5	11.2
50	5.0	12.0
55	5.5	12.8
60	6.0	13.6
65	6.5	14.4
70	7.0	15.2
75	7.5	16.0
80	8.0	16.8
85	8.5	17.6
90	9.0	18.4
95	9.5	19.2
100	10.0	20.0

Duct humidity and temperature sensors ($\pm 1.8\%$),
calibratable, with multi-range switching
and active output

KFTF-20-VAQ
with M12 connector



HYGRASGARD® KFTF-20-VAQ		Duct humidity and temperature sensors ($\pm 1.8\%$), <i>ID</i> (with M12 connector)					
Type / WG02I	Measuring Range / Readout	Output	Display	Item No.	Price		
	Humidity	Humidity	● = Q				
	Temperature	Temperature					
KFTF-20-VAQ							
KFTF-20-I VAQ	0...100% RH	-35...+75 °C -35...+35 °C 0...+50 °C 0...+80 °C	4...20 mA	4...20 mA	●	2003-4161-2100-001 682,23 €	
KFTF-20-I VAQ LCD	0...100% RH	(4x as above)	4...20 mA	4...20 mA	● ■	2003-4162-2100-001 842,29 €	
KFTF-20-U VAQ	0...100% RH	-35...+75 °C -35...+35 °C 0...+50 °C 0...+80 °C	0-10V	0-10V	●	2003-4161-1100-001 682,23 €	
KFTF-20-U VAQ LCD	0...100% RH	(4x as above)	0-10V	0-10V	● ■	2003-4162-1100-001 842,29 €	
Housing variant "Q":	Cable connection with M12 connector (male, 5-pin, A-code)						

ACCESSORIES			
SF-M	Metal sinter filter, \varnothing 16 mm, L = 32 mm, exchangeable stainless steel V4A (1.4404)	7000-0050-2200-100	43,60 €
For further information, see chapter Accessories!			



Duct humidity and temperature sensors (± 1.8%), calibratable, with multi-range switching and active output



KFTF-20-VA with cable gland



HYGRASGARD® KFTF-20-VA		Duct humidity and temperature sensors (± 1,8%), ID (with cable gland)					
Type / WG02I	Measuring Range / Readout		Output		Display	Item No.	Price
	Humidity	Temperature	Humidity	Temperature			
KFTF-20-VA							
KFTF-20-I VA	0...100% RH	-35...+75 °C -35...+35 °C 0...+50 °C 0...+80 °C	4... 20 mA	4... 20 mA		2003-4161-2200-001	642,54 €
KFTF-20-I VA LCD	0...100% RH	(4x as above)	4... 20 mA	4... 20 mA	■	2003-4162-2200-001	802,61 €
KFTF-20-U VA	0...100% RH	-35...+75 °C -35...+35 °C 0...+50 °C 0...+80 °C	0-10 V	0-10 V		2003-4161-1200-001	642,54 €
KFTF-20-U VA LCD	0...100% RH	(4x as above)	0-10 V	0-10 V	■	2003-4162-1200-001	802,61 €
Housing variant:	Cable connection with cable gland						



ACCESSORIES			
SF-M	Metal sinter filter, Ø 16 mm, L=32 mm, exchangeable stainless steel V4A (1.4404)	7000-0050-2200-100	43,60 €

For further information, see chapter Accessories!

Condensation-protected duct humidity and temperature sensor for "high humidity", relative/absolute humidity, mixture ratio, dew point, wet bulb temperature and temperature, incl. mounting flange, calibratable, with multi-range switching, with active and switching output

Condensation-protected ductsensor **HYGRASREG® KFTF-35** with active and switching output, housing made of impact-resistant plastic with quick-locking screws, cable gland, plastic sinter filter (replaceable), optionally with/without display, for detecting relative humidity (0...100 % RH) and temperature (4 switchable measuring ranges, max. 0...+100 °C) as well as for determining various parameters of humidity measurement technology. The measuring transducer converts the measured variables into a standard signal of 0-10V or 4...20 mA.

The unit is specially designed for use in the **high humidity range** (95...99 % RH). A long-term stable, **digital humidity and temperature sensor** is used. Overtemperature prevents or hinders dew formation on the humidity sensor. A second, separate temperature measuring element is used to determine the actual relative humidity of the ambient air. The following measured variables are calculated internally from these parameters and are retrievable via output **OUT3**: absolute humidity, mixing ratio, dew point and wet bulb temperature (can be changed via DIP switch).

The sensor is used in medical technology, refrigeration technology, control technology, air conditioning and clean room technology. The sensor is factory-calibrated; an environmental precision adjustment by an expert is possible.

SF-K
Plastic sinter filter
(standard)



SF-M
Metal sinter filter
(optional)



TECHNICAL DATA

Power supply:	24 V AC/DC (± 10%)
Working resistance:	> 100 kOhm for U variant; 100...500 Ohm for I variant
Power consumption:	typically < 6 W at 24 V DC, peak current 200 mA
Measured variables:	relative humidity [% RH], temperature [°C]
Parameters:	absolute humidity [g/m³], mixture ratio [g/kg], dew point [°C], wet bulb temperature [°C]
Outputs:	3 active outputs (0-10V or 4...20 mA) 1 changeover contact
Sensor:	digital humidity sensor with integrated temperature sensor , low hysteresis, high long-term stability, with condensation protection through heating function (plus a second, separate temperature measuring element)
Sensor protection:	plastic sinter filter, Ø 16 mm, L = 35 mm, exchangeable optional metal sinter filter, Ø 16 mm, L = 32 mm

HUMIDITY

Measuring range, humidity:	0...100 % RH
Deviation in humidity:	typically ± 3.0 % (30...70 % RH) at +25 °C, otherwise ± 3.5 % (deviations of alternative parameters result from deviations from humidity and temperature.)
Output humidity:	0-10V for U variant; 4...20 mA for I variant

TEMPERATURE

Temperature measuring range:	multi-range switching with 4 switchable measuring ranges (see table) 0...+50 °C (default); -20...+50 °C; -20...+80 °C; 0...+100 °C
Deviation in temperature:	typically ± 0.5 K at +25 °C
Temperature output:	0-10V for U variant; 4...20 mA for I variant
Long-term stability:	± 1 % per year
Response time (t90):	< 60 s
Warm-up time:	< 10 min
Electrical connection:	0.14 - 1.5 mm², via terminal screws
Cable connection:	cable gland , plastic (M 16 x 1.5; with strain relief, exchangeable, max. inner diameter 10.4 mm)

Housing:	plastic, UV-resistant, material polyamide, 30 % glass-globe reinforced, with quick-locking screws (slotted / Phillips head combination), colour traffic white (similar to RAL 9016), housing cover for display is transparent!
Housing dimensions:	126 x 90 x 50 mm (Tyr 2)
Protective tube:	PLEUROFORM™ , material polyamide (PA6), with torsion protection, Ø 20 mm, NL = 235 mm (optionally 100 mm), v _{max} = 30 m/s (air)
Process connection:	via mounting flange made of plastic (included in the scope of delivery)
Ambient temperature:	storage -20...+50 °C; operation -20...+50 °C
Permitted humidity:	< 99 % RH, non-precipitating air free of harmful substances
Protection class:	III (according to EN 60 730)
Protection type:	IP 65 (according to EN 60 529) housing, IP 20 sensor technology
Standards:	CE-conformity, electromagnetic compatibility according to EN 61 326, EMC Directive 2014 / 30 / EU

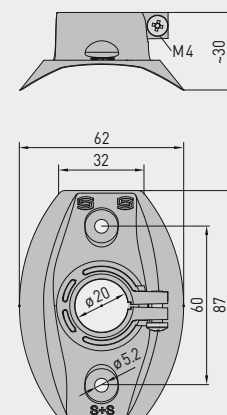
FUNCTION

A constant overtemperature of the humidity sensor makes its dewing considerably more difficult or prevents its formation within the limits of the system. A faster reaction speed is achieved in the case of humidity fluctuations, even in the range above 95 % RH. The sensor (combined humidity and temperature measuring element) is heated approx. 3K above the ambient temperature. The actual relative humidity is determined from the measured relative humidity at overtemperature, the chip temperature of the sensor and the ambient temperature (via a second, separate temperature measuring element).

MFT-20-K
Mounting flange, plastic



Dimensional drawing MFT-20-K [mm]



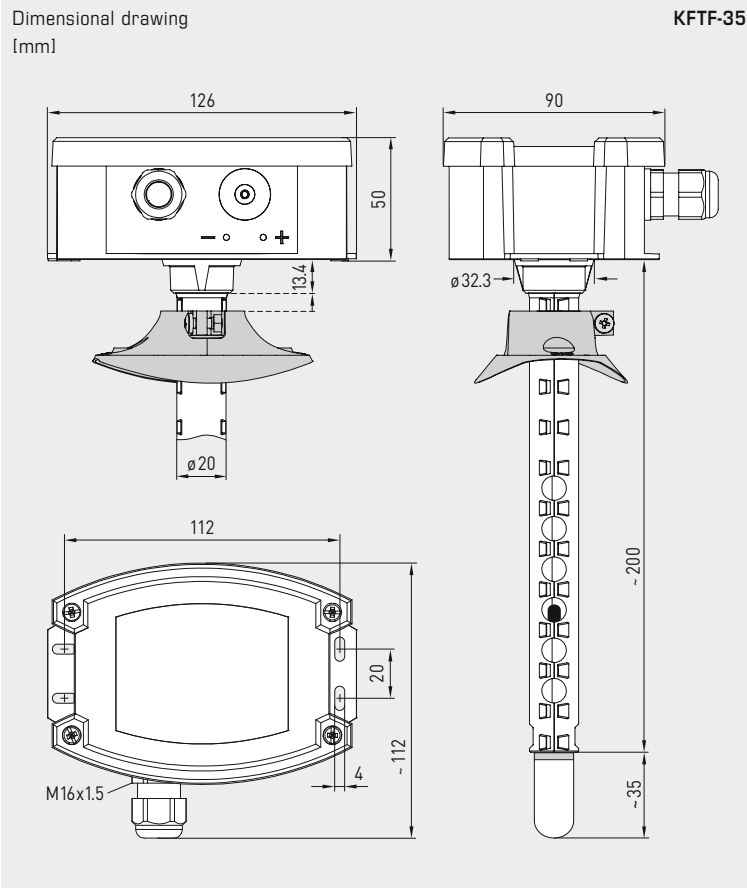


NEW

S+S REGELTECHNIK

HYGRASREG® **KFTF-35**

Condensation-protected duct humidity and temperature sensor for "high humidity", relative/absolute humidity, mixture ratio, dew point, wet bulb temperature and temperature, incl. mounting flange, calibratable, with multi-range switching, with active and switching output



Temperature table
MR: -20...+80 °C

°C	U _A [V]	I _A [mA]
-20	0.0	4.0
-15	0.5	4.8
-10	1.0	5.6
-5	1.5	6.4
0	2.0	7.2
5	2.5	8.0
10	3.0	8.8
15	3.5	9.6
20	4.0	10.4
25	4.5	11.2
30	5.0	12.0
35	5.5	12.8
40	6.0	13.6
45	6.5	14.4
50	7.0	15.2
55	7.5	16.0
60	8.0	16.8
65	8.5	17.6
70	9.0	18.4
75	9.5	19.2
80	10.0	20.0

Temperature table
MR: -20...+50 °C

°C	U _A [V]	I _A [mA]
-20	0.0	4.0
-15	0.7	5.1
-10	1.4	6.3
-5	2.1	7.4
0	2.9	8.6
5	3.6	9.7
10	4.3	10.9
15	5.0	12.0
20	5.7	13.1
25	6.4	14.3
30	7.1	15.4
35	7.9	16.6
40	8.6	17.7
45	9.3	18.9
50	10.0	20.0

Temperature table
MR: 0...+50 °C

°C	U _A [V]	I _A [mA]
0	0.0	4.0
5	1.0	5.6
10	2.0	7.2
15	3.0	8.8
20	4.0	10.4
25	5.0	12.0
30	6.0	13.6
35	7.0	15.2
40	8.0	16.8
45	9.0	18.4
50	10.0	20.0

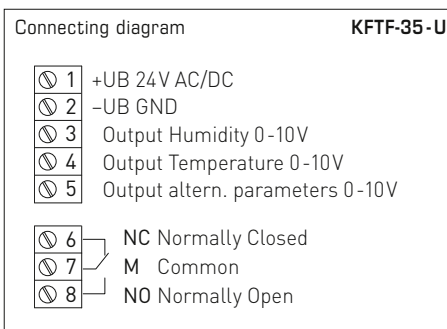
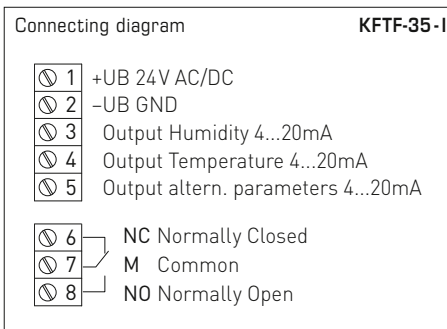
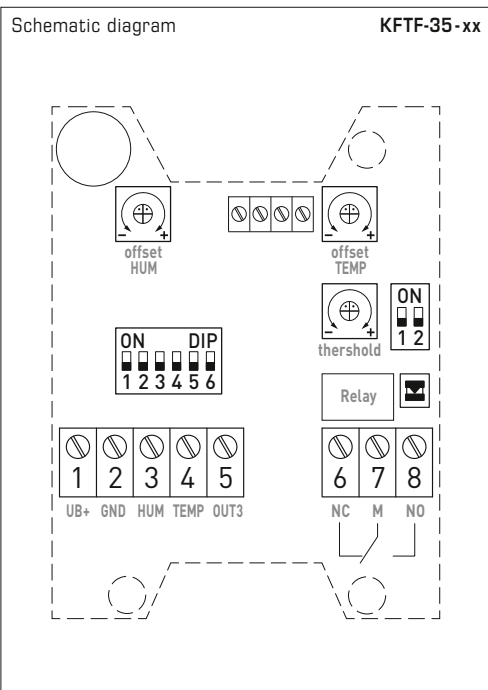
Temperature table
MR: 0...+100 °C

°C	U _A [V]	I _A [mA]
0	0.0	4.0
5	0.5	4.8
10	1.0	5.6
15	1.5	6.4
20	2.0	7.2
25	2.5	8.0
30	3.0	8.8
35	3.5	9.6
40	4.0	10.4
45	4.5	11.2
50	5.0	12.0
55	5.5	12.8
60	6.0	13.6
65	6.5	14.4
70	7.0	15.2
75	7.5	16.0
80	8.0	16.8
85	8.5	17.6
90	9.0	18.4
95	9.5	19.2
100	10.0	20.0

Humidity table
MR: 0...100 % RH

% RH	U _A [V]	I _A [mA]
0	0.0	4.0
5	0.5	4.8
10	1.0	5.6
15	1.5	6.4
20	2.0	7.2
25	2.5	8.0
30	3.0	8.8
35	3.5	9.6
40	4.0	10.4
45	4.5	11.2
50	5.0	12.0
55	5.5	12.8
60	6.0	13.6
65	6.5	14.4
70	7.0	15.2
75	7.5	16.0
80	8.0	16.8
85	8.5	17.6
90	9.0	18.4
95	9.5	19.2
100	10.0	20.0

Condensation-protected duct humidity and temperature sensor for "high humidity", relative/absolute humidity, mixture ratio, dew point, wet bulb temperature and temperature, incl. mounting flange, calibratable, with multi-range switching, with active and switching output



Measuring ranges temperature	DIP 1	DIP 2
0...+50 °C (default)	OFF	OFF
-20...+50 °C	ON	OFF
-20...+80 °C	OFF	ON
0...+100 °C	ON	ON

Measuring ranges alternative parameters	DIP 3	DIP 4	DIP 5
(a.F.) 0...20 g/m ³ (default)	OFF	OFF	OFF
(a.F.) 0...25 g/m ³	ON	OFF	OFF
(MV) 0...20 g/kg	OFF	ON	OFF
(MV) 0...25 g/kg	ON	ON	OFF
(TP) 0...+50 °C	OFF	OFF	ON
(TP) -20...+50 °C	ON	OFF	ON
(FKT) -30...+30 °C	OFF	ON	ON
(FKT) -20...+50 °C	ON	ON	ON

(a.F.) = absolute humidity [g/m³]
 (MV) = mixture ratio [g/kg]
 (TP) = dew point [°C]
 (FKT) = wet bulb temperature [°C]



Relay function assignment	DIP 1	DIP 2
inactive (default)	OFF	OFF
Humidity	ON	OFF
Temperature	OFF	ON
alternative parameters	ON	ON

Note: For factory service only, it must be set to "OFF" during operation!	DIP 6
Operation (default)	OFF



S+S REGELTECHNIK

NEW

HYGRASREG® KFTF-35

Condensation-protected duct humidity and temperature sensor for "high humidity", relative/absolute humidity, mixture ratio, dew point, wet bulb temperature and temperature, incl. mounting flange, calibratable, with multi-range switching, with active and switching output



HYGRASREG® KFTF-35		Condensation-protected duct sensor for high humidity					
Type/ WG02	Measuring Range Humidity	Temperature	Output active	Output switching	Display	Item No.	Price
KFTF-35-I						I variant	
KFTF-35-I/W	0...100% RH 0...20 g/m ³ (a.F.) 0...25 g/m ³ (a.F.) 0...20 g/kg (MV) 0...25 g/kg (MV) 0...+50 °C (TP) -20...+50 °C (TP) -30...+30 °C (FKT) -20...+50 °C (FKT)	0...+50 °C -20...+50 °C -20...+80 °C 0...+100 °C	3x 4...20 mA	1x Changeover contact		1201-814B-1000-000	738,13 €
KFTF-35-I/W LCD	(as above)	(as above)	3x 4...20 mA	1x Changeover contact	■	1201-814B-1200-000	843,57 €
KFTF-35-U						U variant	
KFTF-35-U/W	(as above)	(as above)	3x 0-10 V	1x Changeover contact		1201-814A-1000-000	738,13 €
KFTF-35-U/W LCD	(as above)	(as above)	3x 0-10 V	1x Changeover contact	■	1201-814A-1200-000	843,57 €
Optional:	shortened protection tube PLEUROFORM™ NL = 100 mm					on request	
Note	Alternative parameters are calculated internally from the measured variables, which are retrievable via the active output OUT3 : absolute humidity, mixing ratio, dew point and wet bulb temperature (can be changed via DIP switch)						
ACCESSORIES							
SF-M	Metal sinter filter, Ø 16 mm, L = 32 mm, exchangeable stainless steel V4A (1.4404)					7000-0050-2200-100	43,60 €
for further information see see chapter Accessories!							

Kanal-Außenfeuchtefühler (± 2,0%), inkl. Montageflansch, für Mischungsverhältnis, relative /absolute Feuchte, Taupunkt, Enthalpie (umschaltbar) und Temperatur, mit Mehrbereichsumschaltung und aktivem Ausgang

Die universellen Feuchtefühler **HYGRASGARD® KAVTF** mit 6 Ausgangsgrößen dienen zur Ermittlung diverser Messgrößen der Feuchtemesstechnik. Gemessen werden die relativen Feuchte und die Temperatur der Umgebungsluft. Aus diesen Messgrößen werden intern verschiedenen Kenngrößen berechnet.

Bei der Geräteversion x-U stehen zwei Ausgänge 0-10V, bei der Version x-I zwei Ausgänge 4...20 mA zur Verfügung. Hierbei können per DIP-Schalter die Ausgangsgrößen für die Ausgänge festgelegt werden. Wählbar sind für den Ausgang 1 relative Feuchte [% RH], absolute Feuchte [g/m³], Mischungsverhältnis [g/kg], Taupunkttemperatur [°C] oder Enthalpie [kJ/kg] (unter Vernachlässigung des atm. Luftdruckes). Am Ausgang 2 sind vier verschiedene Messbereiche für die Umgebungstemperatur [°C] wählbar. Der Auslieferungszustand für Ausgang 1 ist die relative Feuchte 0...100% RH, für den Ausgang 2 der Temperaturmessbereich 0...+50°C.

Durch die unterschiedlichen Konfigurationsmöglichkeiten können zahlreiche Mess- und Regelaufgaben durch nur ein Gerät gelöst werden. Die Geräte sind in schadstofffreier, nicht kondensierender Luft ohne Unter- bzw. Überdruck an der Sensorik zu betreiben. Einsatzgebiete sind bspw. die Medizintechnik, die Kältetechnik, die Klima- und Reinraumtechnik. Die Fühler sind für die Kanalmontage geeignet.

TECHNISCHE DATEN

Spannungsversorgung:	24 V AC (± 20%) und 15...36 V DC bei U-Variante 15...36 V DC bei I-Variante, bürdenabhängig, Restwelligkeit stabilisiert ± 0,3V
Bürde:	$R_a \text{ (Ohm)} = (U_b - 14 \text{ V}) / 0,02 \text{ A}$ bei I-Variante
Lastwiderstand:	$R_L > 5 \text{ kOhm}$ bei U-Variante
Leistungsaufnahme:	< 1 W bei 24 V DC; < 2 VA bei 24 V AC
Sensoren:	digitaler Feuchtesensor, mit integriertem Temperatursensor, kleine Hysterese, hohe Langzeitstabilität
Sensorschutz:	Kunststoff-Sinterfilter , Ø 16 mm, L = 35 mm, austauschbar (optional Metall-Sinterfilter , Ø 16 mm, L = 32 mm)

FEUCHTE

Messbereich Feuchte:	Mehrbereichsumschaltung mit 8 umschaltbaren Messbereichen (siehe Tabelle) 0...100% RH (default)
Arbeitsbereich Feuchte:	10...95% RH, ohne Betauung
Abweichung Feuchte:	typisch ± 2,0% (20...80% RH) bei +25°C, sonst ± 3,0% Abweichung der sonstigen Ausgaben ergeben sich aus den Abweichungen von Feuchte und Temperatur.
Ausgang 1, Feuchte:	0-10V (siehe Tabelle) bei U-Variante 4...20 mA (siehe Tabelle) bei I-Variante

TEMPERATUR

Messbereich Temperatur:	Mehrbereichsumschaltung mit 4 umschaltbaren Messbereichen (siehe Tabelle) 0...+50°C (default); -20...+80°C; -35...+75°C; -35...+35°C
Arbeitsbereich Temperatur:	-35...+80°C Sensorik
Abweichung Temperatur:	typisch ± 0,2K bei +25°C
Ausgang 2, Temperatur:	0-10V (siehe Tabelle) bei U-Variante 4...20 mA (siehe Tabelle) bei I-Variante

Umgebungstemperatur:	Lagerung -35...+85°C; Betrieb -30...+70°C, nicht kondensierend
----------------------	-------------------------------------------------------------------

elektrischer Anschluss:	4-Draht bei U-Variante 3-Draht bei I-Variante (Transmitter) 0,14 - 1,5 mm², über Schraubklemmen
-------------------------	-------------------------------------------------------------------------------------------------------

Gehäuse:	Kunststoff, UV-beständig, Werkstoff Polyamid, 30% glaskugelverstärkt, mit Schnellverschlusschrauben (Schlitz / Kreuzschlitz-Kombination), Farbe Verkehrsweiß (ähnlich RAL 9016), Deckel für Display ist transparent!
----------	----------------------------------------------------------------------------------------------------------------------------------------------------------------------------------------------------------------------

Abmessungen Gehäuse:	72 x 64 x 37,8 mm (Tyr 1 ohne Display) 72 x 64 x 43,3 mm (Tyr 1 mit Display)
----------------------	---------------------------------------------------------------------------------

Kabelanschluss:	Kabelverschraubung aus Kunststoff (M 16 x 1,5; mit Zugentlastung, auswechselbar, max. Innendurchmesser 10,4 mm) oder M12-Steckverbinder nach DIN EN 61076-2-101 (auf Anfrage)
-----------------	-------------------------------------------------------------------------------------------------------------------------------------------------------------------------------------------------------

Schutzrohr:	PLEUROFORM™ , Werkstoff Polyamid (PA6), verdrehsicher, Ø 20 mm, NL = 235 mm (optional 100 mm), $v_{max} = 30 \text{ m/s}$ (Luft) (optional auf Anfrage aus Edelstahl V2A (1.4301), Ø 16 mm)
-------------	-----------------------------------------------------------------------------------------------------------------------------------------------------------------------------------------------------------

Prozessanschluss:	mittels Flansch aus Kunststoff (im Lieferumfang enthalten)
-------------------	------------------------------------------------------------

Schutzklasse:	III (nach EN 60 730)
---------------	----------------------

Schutzart:	IP65 (nach EN 60 529) im eingebauten Zustand, Gehäuse geprüft, TÜV SÜD, Bericht Nr. 713139052 (Tyr 1)
------------	-----------------------------------------------------------------------------------------------------------------

Normen:	CE-Konformität, elektromagnetische Verträglichkeit nach EN 61 326, EMV-Richtlinie 2014 / 30 / EU
---------	--------------------------------------------------------------------------------------------------

Optional:	Display mit Beleuchtung , zweizeilig, Ausschnitt ca. 36 x 15 mm (B x H), zur Anzeige der Ist-Temperatur und Ist-Feuchte, sowie der wählbaren Kenngrößen
-----------	----------------------------------------------------------------------------------------------------------------------------------------------------------------

ZUBEHÖR	siehe letztes Kapitel
----------------	-----------------------

SF-K
Kunststoff-Sinterfilter
(Standard)



SF-M
Metall-Sinterfilter
(optional)



Schutzrohr aus Edelstahl
(optional auf Anfrage)

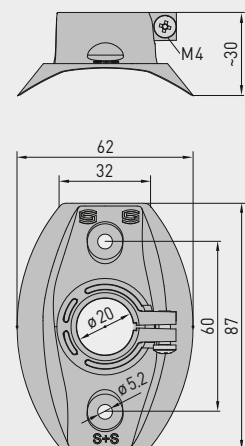


M12-Steckverbinder
(optional auf Anfrage)

MFT-20-K
Montageflansch
aus Kunststoff

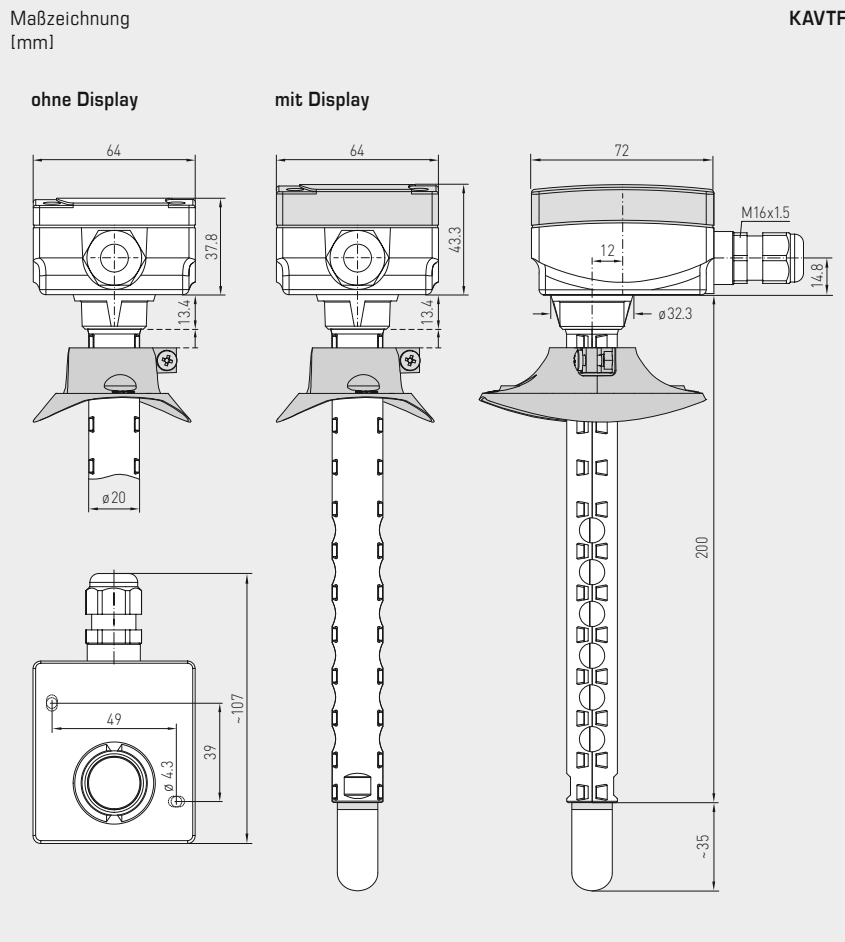


Maßzeichnung (mm) **MFT-20-K**





Kanal-Außenfeuchtefühler ($\pm 2,0\%$), inkl. Montageflansch, für Mischungsverhältnis, relative / absolute Feuchte, Taupunkt, Enthalpie (umschaltbar) und Temperatur, mit Mehrbereichumschaltung und aktivem Ausgang



KAVTF

KAVTF mit Kunststoff-Sinterfilter (Standard)



Temperaturtabelle
MB: -35...+75 °C

°C	U _A [V]	I _A [mA]
-35	0,0	4,0
-30	0,5	4,7
-25	0,9	5,5
-20	1,4	6,2
-15	1,8	6,9
-10	2,3	7,6
-5	2,7	8,4
0	3,2	9,1
5	3,6	9,8
10	4,1	10,5
15	4,5	11,3
20	5,0	12,0
25	5,5	12,7
30	5,9	13,5
35	6,4	14,2
40	6,8	14,9
45	7,3	15,6
50	7,7	16,4
55	8,2	17,1
60	8,6	17,8
65	9,1	18,5
70	9,5	19,2
75	10,0	20,0

Temperaturtabelle
MB: -35...+35 °C

°C	U _A [V]	I _A [mA]
-35	0,0	4,0
-30	0,7	5,1
-25	1,4	6,3
-20	2,1	7,4
-15	2,9	8,6
-10	3,6	9,7
-5	4,3	10,9
0	5,0	12,0
5	5,7	13,1
10	6,4	14,3
15	7,1	15,4
20	7,9	16,6
25	8,6	17,7
30	9,3	18,9
35	10,0	20,0

Temperaturtabelle
MB: 0...+50 °C

°C	U _A [V]	I _A [mA]
0	0,0	4,0
5	1,0	5,6
10	2,0	7,2
15	3,0	8,8
20	4,0	10,4
25	5,0	12,0
30	6,0	13,6
35	7,0	15,2
40	8,0	16,8
45	9,0	18,4
50	10,0	20,0

Temperaturtabelle
MB: -20...+80 °C

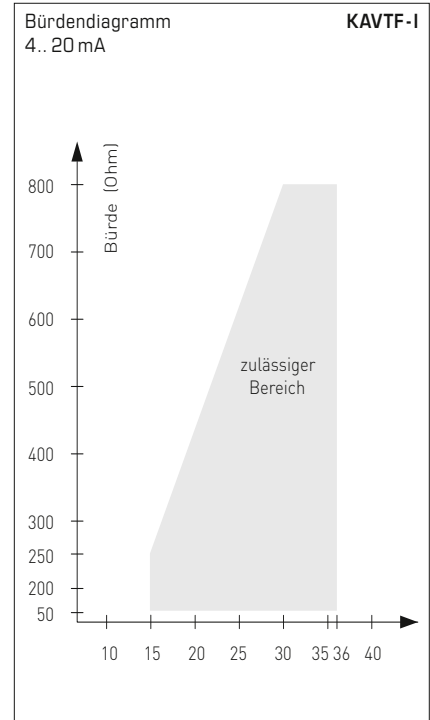
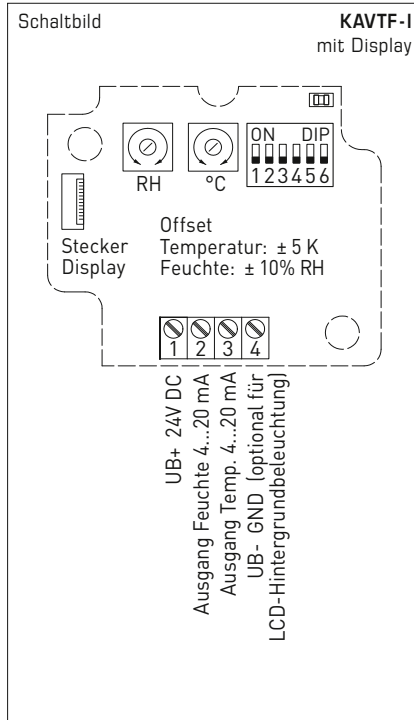
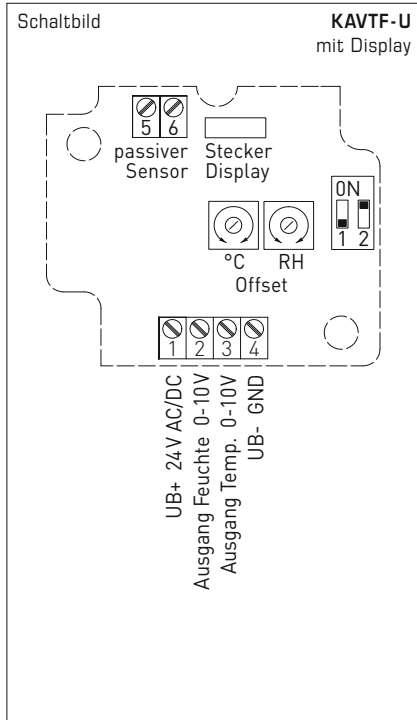
°C	U _A [V]	I _A [mA]
-20	0,0	4,0
-15	0,5	4,8
-10	1,0	5,6
-5	1,5	6,4
0	2,0	7,2
5	2,5	8,0
10	3,0	8,8
15	3,5	9,6
20	4,0	10,4
25	4,5	11,2
30	5,0	12,0
35	5,5	12,8
40	6,0	13,6
45	6,5	14,4
50	7,0	15,2
55	7,5	16,0
60	8,0	16,8
65	8,5	17,6
70	9,0	18,4
75	9,5	19,2
80	10,0	20,0

Feuchtetabelle
MB: 0...100% RH

% RH	U _A [V]	I _A [mA]
0	0,0	4,0
5	0,5	4,8
10	1,0	5,6
15	1,5	6,4
20	2,0	7,2
25	2,5	8,0
30	3,0	8,8
35	3,5	9,6
40	4,0	10,4
45	4,5	11,2
50	5,0	12,0
55	5,5	12,8
60	6,0	13,6
65	6,5	14,4
70	7,0	15,2
75	7,5	16,0
80	8,0	16,8
85	8,5	17,6
90	9,0	18,4
95	9,5	19,2
100	10,0	20,0



Kanal-Außenfeuchtefühler ($\pm 2,0\%$), inkl. Montageflansch, für Mischungsverhältnis, relative /absolute Feuchte, Taupunkt, Enthalpie (umschaltbar) und Temperatur, mit Mehrbereichumschaltung und aktivem Ausgang



Temperatur-Messbereiche (einstellbar)	DIP 1	DIP 2
0...+50 °C (default)	OFF	OFF
-20...+80 °C	ON	OFF
-35...+75 °C	OFF	ON
-35...+35 °C	ON	ON

umschaltbare Messbereiche (einstellbar)	DIP 3	DIP 4	DIP 5
RH: 0...100 % (default)	OFF	OFF	OFF
MV: 0...50 g/kg	ON	OFF	OFF
MV: 0...80 g/kg	OFF	ON	OFF
a.F.: 0...50 g/m³	OFF	OFF	ON
a.F.: 0...80 g/m³	ON	ON	OFF
TP: 0...+50 °C	ON	OFF	ON
TP: -20...+80 °C	OFF	ON	ON
ENT.: 0...85 kJ/kg	ON	ON	ON

mögliche Kenngrößen:

(RH) = relative Feuchte in %
(MV) = Mischungsverhältnis in g/kg
(a.F.) = absolute Feuchte in g/m³
(TP) = Taupunkt in °C
(ENT.) = Enthalpie in kJ/kg

Service Anzeige / Ausgabe (einstellbar)	DIP 6
Anzeige °C und % RH, Ausgabe der eingestellten Messwerte per DIP 1-5 (Service-Modus zur Einstellung °C und % RH)	ON
Anzeige und Ausgabe der eingestellten Messwerte per DIP 1-5	OFF

KAVTF
mit Kunststoff-Sinterfilter
SF-K (Standard)

KAVTF
mit Metall-Sinterfilter
SF-M (optional)





Kanal-Außenfeuchtefühler ($\pm 2,0\%$), inkl. Montageflansch, für Mischungsverhältnis, relative /absolute Feuchte, Taupunkt, Enthalpie (umschaltbar) und Temperatur, mit Mehrbereichumschaltung und aktivem Ausgang



Standardmäßig wird im Display abwechselnd die **Ist-Temperatur** und die **Ist-Feuchte** (relative Feuchte) angezeigt. Hierbei wird in der erste Zeile der Wert und in der zweiten Zeile die entsprechende Einheit angezeigt:

Temperatur in °C
relative Feuchte in % RH

Zur besseren Ablesbarkeit ist eine Hintergrundbeleuchtung vorhanden.

Über **DIP-Schalter** kann anstelle der Standard-Anzeige die Anzeige einer **alternativen Ausgangsgröße** eingestellt werden:

absolute Feuchte in g/m³
Taupunkt in °C
Mischungsverhältnis in g/kg
Enthalpie in kJ/kg

Im **Service mode** wird gleichzeitig (abwechselnd in der ersten und zweiten Zeilen) die **Ist-Temperatur** und die **Ist-Feuchte** (relative Feuchte) angezeigt.



KAVTF mit Display

HYGRASGARD® KAVTF Kanal-Außenfeuchtefühler ($\pm 2,0\%$)						
Typ/WG01	Messbereich Feuchte	Temperatur	Ausgang Feuchte	Display Temperatur	Art.-Nr.	Preis
KAVTF-I	(umschaltbar)	(umschaltbar)			I-Variante	
KAVTF-I	0...100% RH (default) 0...50 g/kg (MV) 0...80 g/kg (MV) 0...50 g/m³ (a.F.) 0...80 g/m³ (a.F.) 0...+50°C (TP) -20...+80°C (TP) 0...85 kJ/kg (ENT.)	0...+50°C (default) -20...+80°C -35...+75°C -35...+35°C	4...20 mA	4...20 mA	1201-3162-6000-029	193,06 €
KAVTF-I LCD	(8x wie oben)	(4x wie oben)	4...20 mA	4...20 mA	■ 1201-3162-6200-029	255,36 €
KAVTF-U					U-Variante	
KAVTF-U	(8x wie oben)	(4x wie oben)	0-10V	0-10V	1201-3161-6000-029	193,06 €
KAVTF-U LCD	(8x wie oben)	(4x wie oben)	0-10V	0-10V	■ 1201-3161-6200-029	255,36 €
Aufpreis:	weitere Sonderbereiche optional					153,95 €
Optional:	Kabelanschluss mit M12-Steckverbinder nach DIN EN 61076-2-101 verkürztes Schutzrohr PLEUROFORM™ , NL = 100 mm					auf Anfrage auf Anfrage

ZUBEHÖR			
SF-M	Metall-Sinterfilter , Ø 16 mm, L = 32 mm, austauschbar, aus Edelstahl V4A (1.4404)	7000-0050-2200-100	43,60 €

**Screw-in humidity and temperature sensor for pressure systems,
mixing ratio, relative /absolute humidity, dew point and temperature,
calibratable, with multi-range switching and active output**

Calibratable screw-in sensor **HYGRASGARD® ESFTF** in a housing made of an impact-resistant plastic with quick-locking screws, with cable gland (optional M12 connector according to DIN EN 61076-2-101), duct tube with thread (G1/2") and metal sinter filter (replaceable).

The sensor is used for detecting the relative humidity (0...100% RH) and the temperature (4 switchable measuring ranges) in **compressed air lines up to max. 10 bar**. The measuring transducer converts the measured values into a standard signal of 4...20 mA or 0-10 V. Further parameters are calculated internally from the measured values, that are retrievable via the humidity output: absolute humidity, mixing ratio and dew point temperature (can be changed via DIP switch).

Furthermore, the unit boasts a **sensor protection function for high humidity** (95...99% RH).

The measuring element is heated automatically in the critical range and thus protected against condensation.

The sensor is factory-calibrated; an environmental precision adjustment by an expert is possible.

It must be installed vertically with the humidity sensor pointing downwards.

TECHNICAL DATA

Power supply:	24 V AC/DC (± 10%) for U variant; 15...36 V DC for I variant, depending on working resistance
Working resistance:	$RL_{max} = (UB - 15 V) / 0.02 A$ for I variant, see working resistance diagram
Power consumption:	< 1.1 VA for U variant; < 1.5 W for I variant
Data points:	relative humidity [% RH], absolute humidity [g/m ³], mixing ratio [g/kg], dew point [°C], temperature [°C]

HUMIDITY

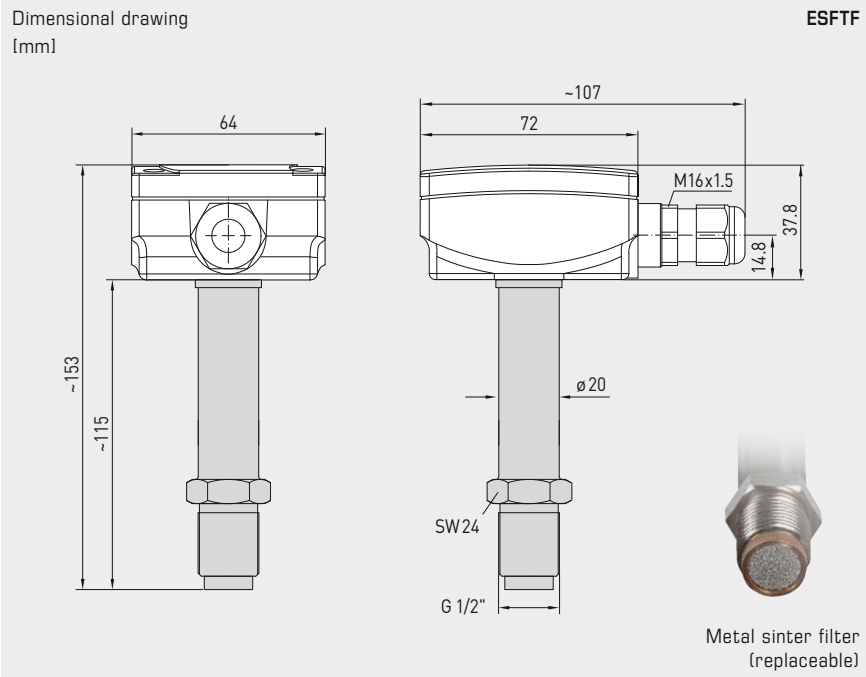
Sensor:	digital humidity sensor with integrated temperature sensor , low hysteresis, high long-term stability
Sensor protection:	metal sinter filter, Ø 20 mm, replaceable, with condensation protection through heating function
Measuring range, humidity:	0...100% RH (default)
Deviation in humidity:	typically ± 3.0% (30...70% RH) at +25 °C, otherwise ± 3.5% (deviations of alternative parameters result from deviations from humidity and temperature.)
Long-term stability:	± 1 % per year
Output humidity:	0-10 V for U variant; 4...20 mA for I variant

TEMPERATURE

Temperature measuring range:	multi-range switching with 4 switchable measuring ranges (see table) 0...+50 °C (default); -20...+80 °C; -30...+70 °C; 0...+100 °C
Deviation in temperature:	typically ± 0.5 K at +25 °C
Temperature output:	0-10 V for U variant; 4...20 mA for I variant
Response time (t ₉₀):	< 60 s
Warm-up time:	< 5 min
Electrical connection:	4-wire for U variant; 3-wire for I variant; 0.14 - 1.5 mm ² , via terminal screws
Housing:	plastic, UV-resistant, polyamide material, 30% glass-globe reinforced, with quick-locking screws (slotted / Phillips head combination), colour traffic white (similar to RAL 9016)
Housing dimensions:	72 x 64 x 37.8 mm (Tyr 1)
Cable connection:	cable gland made of plastic (M16 x 1.5; with strain relief, replaceable, max. inner diameter 10.4 mm) or M12 connector according to DIN EN 61076-2-101 (on request)
Protective tube:	made out of metal, Ø 20 mm, NL = 115 mm, compressive strength $p_{max} = 10$ bar
Process connection:	thread G1/2", immersion depth 25 mm
Ambient temperature:	storage -20...+50 °C; operation -20...+50 °C
Permitted humidity:	< 99% RH, non-precipitating air free of harmful substances
Protection class:	III (according to EN 60 730)
Protection type:	IP65 (according to EN 60 529) in the built-in state, sensors IP 30, housing tested, TÜV SÜD, report no. 713139052 (Tyr 1)
Standards:	CE-conformity, electromagnetic compatibility according to EN 61 326, EMC Directive 2014 / 30 / EU

FUNCTION

sensor protection function for high humidity (95...99% RH)
If the relative humidity exceeds the factory-set threshold of 95% RH, a temporarily restricted heating function is activated and the sensor is protected against condensation. In this operating state, the output signals remain at the previous measured values prior to activating the heating function.


ESFTF
Temperature table
MR: -30...+70 °C

°C	U _A [V]	I _A [mA]
-30	0.0	4.0
-25	0.5	4.8
-20	1.0	5.6
-15	1.5	6.4
-10	2.0	7.2
-5	2.5	8.0
0	3.0	8.8
5	3.5	9.6
10	4.0	10.4
15	4.5	11.2
20	5.0	12.0
25	5.5	12.8
30	6.0	13.6
35	6.5	14.4
40	7.0	15.2
45	7.5	16.0
50	8.0	16.8
55	8.5	17.6
60	9.0	18.4
65	9.5	19.2
70	10.0	20.0

Temperature table
MR: -20...+80 °C

°C	U _A [V]	I _A [mA]
-20	0.0	4.0
-15	0.5	4.8
-10	1.0	5.6
-5	1.5	6.4
0	2.0	7.2
5	2.5	8.0
10	3.0	8.8
15	3.5	9.6
20	4.0	10.4
25	4.5	11.2
30	5.0	12.0
35	5.5	12.8
40	6.0	13.6
45	6.5	14.4
50	7.0	15.2
55	7.5	16.0
60	8.0	16.8
65	8.5	17.6
70	9.0	18.4
75	9.5	19.2
80	10.0	20.0

Temperature table
MR: 0...+50 °C

°C	U _A [V]	I _A [mA]
0	0.0	4.0
5	1.0	5.6
10	2.0	7.2
15	3.0	8.8
20	4.0	10.4
25	5.0	12.0
30	6.0	13.6
35	7.0	15.2
40	8.0	16.8
45	9.0	18.4
50	10.0	20.0

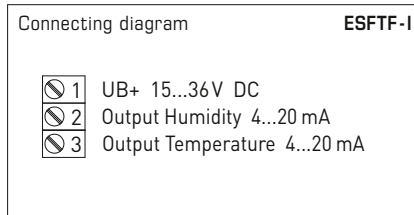
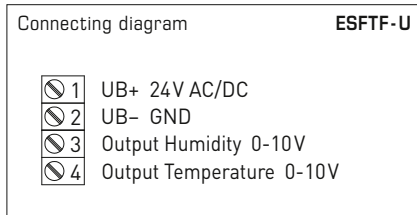
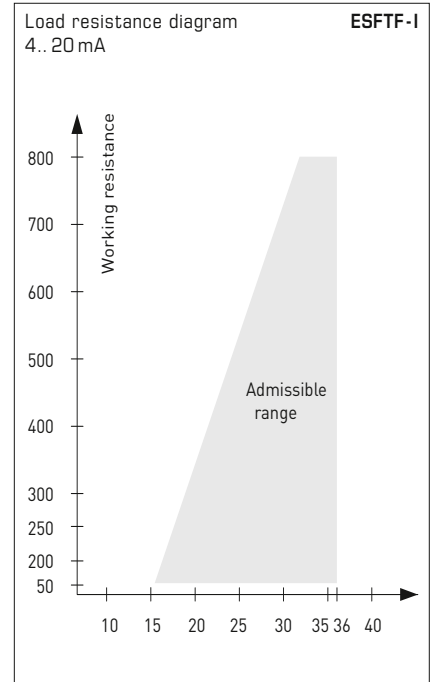
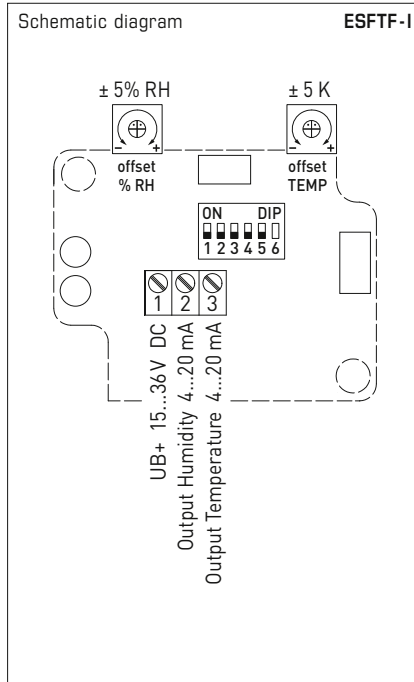
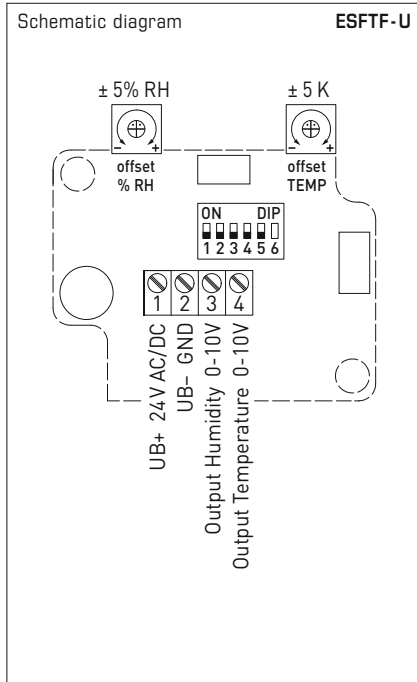
Temperature table
MR: 0...+100 °C

°C	U _A [V]	I _A [mA]
0	0.0	4.0
5	0.5	4.8
10	1.0	5.6
15	1.5	6.4
20	2.0	7.2
25	2.5	8.0
30	3.0	8.8
35	3.5	9.6
40	4.0	10.4
45	4.5	11.2
50	5.0	12.0
55	5.5	12.8
60	6.0	13.6
65	6.5	14.4
70	7.0	15.2
75	7.5	16.0
80	8.0	16.8
85	8.5	17.6
90	9.0	18.4
95	9.5	19.2
100	10.0	20.0

Humidity table
MR: 0...100 % RH

% RH	U _A [V]	I _A [mA]
0	0.0	4.0
5	0.5	4.8
10	1.0	5.6
15	1.5	6.4
20	2.0	7.2
25	2.5	8.0
30	3.0	8.8
35	3.5	9.6
40	4.0	10.4
45	4.5	11.2
50	5.0	12.0
55	5.5	12.8
60	6.0	13.6
65	6.5	14.4
70	7.0	15.2
75	7.5	16.0
80	8.0	16.8
85	8.5	17.6
90	9.0	18.4
95	9.5	19.2
100	10.0	20.0

Screw-in humidity and temperature sensor for pressure systems, mixing ratio, relative /absolute humidity, dew point and temperature, calibratable, with multi-range switching and active output



Temperature measuring ranges (adjustable)	DIP 1	DIP 2
0...+50 °C (default)	OFF	OFF
-20...+80 °C	ON	OFF
-30...+70 °C	OFF	ON
0...+100 °C	ON	ON

Switchable measuring ranges (adjustable)	DIP 3	DIP 4	DIP 5
(RH) 0...100% (default)	OFF	OFF	OFF
(a.F.) 0...50 g/m³	ON	OFF	OFF
(a.F.) 0...80 g/m³	OFF	ON	OFF
(MV) 0...50 g/kg	ON	ON	OFF
(MV) 0...80 g/kg	OFF	OFF	ON
(TP) 0...+50 °C	ON	OFF	ON
(TP) -20...+50 °C	OFF	ON	ON
(TP) -20...+80 °C	ON	ON	ON

(RH) = Relative Humidity [% RH]
 (MV) = Mixing Ratio [g/kg]
 (a.F.) = Absolute Humidity [g/m³]
 (TP) = Dew Point [°C]

Note: **DIP 6** is not assigned!



NEW

S+S REGELTECHNIK

HYGRASGARD® ESFTF

Screw-in humidity and temperature sensor for pressure systems, mixing ratio, relative/absolute humidity, dew point and temperature, calibratable, with multi-range switching and active output

ESFTF



HYGRASGARD® ESFTF Screw-in humidity and temperature sensor for pressure systems

Type / WG02	Measuring range Humidity	Temperature	Output Humidity	Temperature	Display	Item no.	Price
ESFTF-I	[switchable]	[switchable]				I variant	
ESFTF-I	0...100% RH 0...50 g/m ³ (a.F.) 0...80 g/m ³ (a.F.) 0...50 g/kg (MV) 0...80 g/kg (MV) 0...+50 °C (TP) -20...+50 °C (TP) -20...+80 °C (TP)	0...+50 °C -20...+80 °C -30...+70 °C 0...+100 °C	4...20 mA	4...20 mA		1201-2112-1000-000	544,81 €
ESFTF-I LCD	(as above)	(as above)	4...20 mA	4...20 mA	■	1201-2112-1200-000	652,41 €
ESFTF-U	[switchable]	[switchable]				U variant	
ESFTF-U	0...100% RH 0...50 g/m ³ (a.F.) 0...80 g/m ³ (a.F.) 0...50 g/kg (MV) 0...80 g/kg (MV) 0...+50 °C (TP) -20...+50 °C (TP) -20...+80 °C (TP)	0...+50 °C -20...+80 °C -30...+70 °C 0...+100 °C	0-10 V	0-10 V		1201-2111-1000-000	544,81 €
ESFTF-U LCD	(as above)	(as above)	0-10 V	0-10 V	■	1201-2111-1200-000	652,41 €
Optional:	Cable connection with M12 connector according to DIN EN 61076-2-101						on request

**Pendulum room humidity sensors (± 2.0%),
calibratable, with active output**

The calibratable pendulum room humidity sensor **HYGRASGARD® RPF - SD** with plastic sinter filter measures the relative humidity of air. It converts the measured humidity into a standard signal of 4...20 mA. Relative humidity (in % RH) is the quotient of water vapour partial pressure divided by the saturation vapour pressure at the respective gas temperature.

The sensor applied in non-aggressive dust-free atmospheres in refrigeration, air conditioning, ventilation and clean room technology, hotels, technical rooms, meeting rooms and convention centres. These measuring transducers are designed for precise detection of humidity. A digital long-term stable sensor is used as a measuring element for humidity measurement. This sensor is suitable for duct installation, as a pendulum sensor, or for integration in equipment.

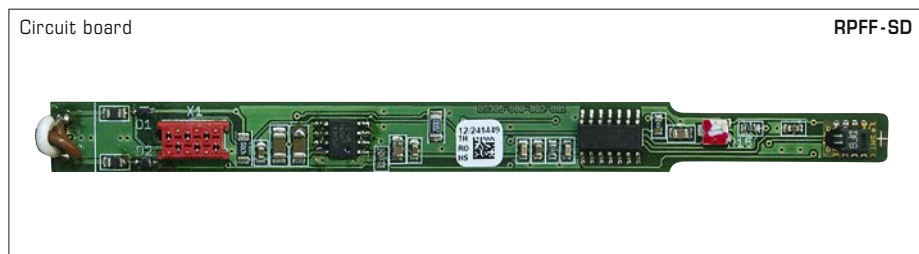
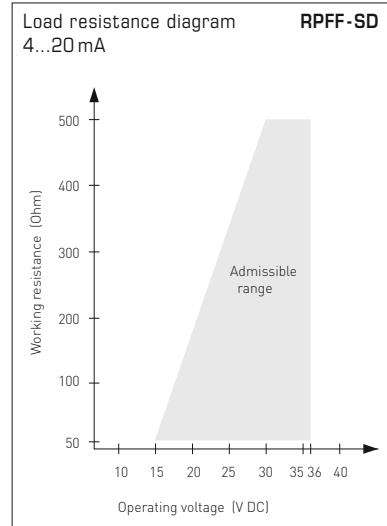
TECHNICAL DATA

Power supply:	15...36 V DC depending on working resistance, residual ripple stabilised ± 0.3V
Working resistance:	$R_a \text{ (Ohm)} = (U_b - 14 \text{ V}) / 0.03 \text{ A}$ $R_a < 500 \text{ Ohm}$
Power consumption:	< 1.1 VA / 24 V DC
Sensors:	digital humidity sensor small hysteresis, high long-term stability
Sensor protection:	plastic sinter filter, Ø 16 mm, L = 35 mm, exchangeable (optional metal sinter filter, Ø 16 mm, L = 32 mm)
Measuring range, humidity:	0...100% RH (output corresponding to 4...20 mA)
Operating range, humidity:	0...95% RH (without formation of dew)
Deviation, humidity:	typically ± 2.0% (20...80% RH) at +25 °C, otherwise ± 3.0%
Output, humidity:	4...20 mA, see load resistance diagram
Ambient temperature:	storage -25...+50 °C operation -5...+55 °C
Long-term stability:	± 1 % per year
Electrical connection:	2-wire connection (see connecting diagram), 0.14 - 1.5 mm ²
Connection cable:	PVC, LiYY, 2 x 0.25 mm ² , KL = approx. 1.5 m (other lengths optional)
Protective tube:	stainless steel V2A (1.4301), Ø = 16 mm, NL = 142 mm
Protection class:	III (according to EN 60 730)
Protection type:	IP 65 (according to EN 60 529)
Standards:	CE conformity, according to EMC directive 2014 / 30 / EU, according to EN 61326-1, according to EN 61326-2-3
ACCESSORIES	see last chapter

Humidity table

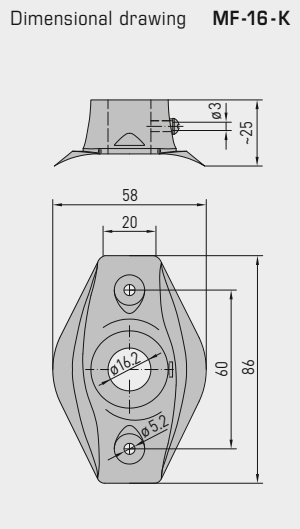
MR: 0 ... 100% RH

% RH	U _A [V]	I _A [mA]
0	0.0	4.0
5	0.5	4.8
10	1.0	5.6
15	1.5	6.4
20	2.0	7.2
25	2.5	8.0
30	3.0	8.8
35	3.5	9.6
40	4.0	10.4
45	4.5	11.2
50	5.0	12.0
55	5.5	12.8
60	6.0	13.6
65	6.5	14.4
70	7.0	15.2
75	7.5	16.0
80	8.0	16.8
85	8.5	17.6
90	9.0	18.4
95	9.5	19.2
100	10.0	20.0

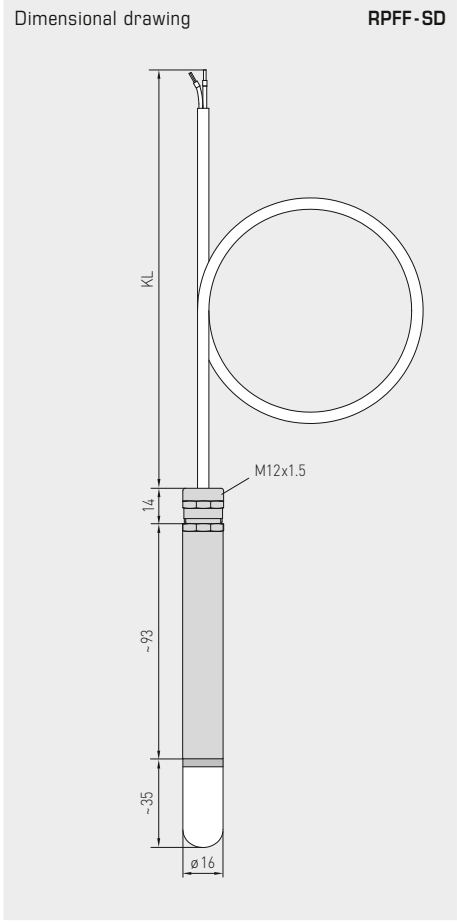


2-wire connection **RPF - SD - I (Transmitter)**

- +UB 24V DC
- Output humidity 4-20mA



MF-16-K
Mounting flange,
plastic
(optional)



RPFF-SD
with plastic sinter filter
(standard)



SF-M
Metal sinter filter
(optional)



HYGRASGARD® RPFF-SD Pendulum room humidity sensors ($\pm 2.0\%$), *Standard*

Type / WG01	Measuring Range Humidity (relative)	Output Humidity (relative)	Item No.	Price
RPFF-SD-I			I-variant	
RPFF-SD-I	0...100% RH	4...20 mA	1201-1172-0000-150	160,80 €
Extra charge:	Cable length (KL) 1.5 m, other lengths optional		on request	
For special orders please specify:	Type, cable length e.g. RPFF-SD-I, 3 m; RPFF-SD-I, 4 m			

ACCESSORIES

SF-M	Metal sinter filter , \varnothing 16 mm, L = 32 mm, exchangeable stainless steel V4A (1.4404)	7000-0050-2200-100	43,60 €
MF-16-K	Mounting flange, plastic For further information see last chapter!	7100-0030-0000-000	9,85 €



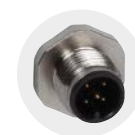
**Pendulum room humidity and temperature sensors ($\pm 2.0\%$),
calibratable, with multi-range switching
and active output**

The calibratable pendulum room humidity and temperature sensor **HYGRASGARD® RPFF / RPFTF** with plastic sinter filter measures the relative humidity and temperature of air. It converts the measurands into standard signals of 0-10 V or 4...20 mA and is available with or without an optional display. It has four switchable temperature ranges. The sensor is applied in non-aggressive dust-free atmospheres in refrigeration, air conditioning, ventilation and clean room technology, hotels, technical rooms, meeting rooms and convention centres. These measuring transducers are designed for exact detection of temperature and humidity. A digital long-term stable sensor is used as a measuring element for humidity and temperature measurement. The sensor is appropriate for ceiling and duct installation, or for integrating it into equipment. The sensor is factory-calibrated; an environmental precision adjustment by an expert is possible.

**RPFF
RPFTF**
with plastic sinter filter
(standard)

TECHNICAL DATA

Power supply:	24 V AC ($\pm 20\%$); 15...36 V DC for U variant 15...36 V DC for I variant, depending on working resistance, residual ripple stabilised ± 0.3 V
Working resistance:	$R_a(\text{ohm}) = (U_b - 14 \text{ V}) / 0.02 \text{ A}$ for I variant
Load resistance:	$R_L > 5 \text{ kOhm}$ for U variant
Power consumption:	$< 1.1 \text{ VA} / 24 \text{ V DC}$; $< 2.2 \text{ VA} / 24 \text{ V AC}$
Sensors:	digital humidity sensor with integrated temperature sensor , low hysteresis, high long-term stability
Sensor protection:	plastic sinter filter , $\varnothing 16 \text{ mm}$, $L = 35 \text{ mm}$, exchangeable (optional metal sinter filter , $\varnothing 16 \text{ mm}$, $L = 32 \text{ mm}$)
HUMIDITY	
Measuring range, humidity:	0...100% RH (output corresponding to 0-10V or 4...20 mA)
Operating range, humidity:	0...95% RH (without formation of dew)
Deviation, humidity:	typically $\pm 2.0\%$ (20...80% RH) at $+25^\circ\text{C}$, otherwise $\pm 3.0\%$
Output, humidity:	0 - 10 V for U variant 4...20 mA for I variant, see load resistance diagram
TEMPERATURE	
Measuring range, temperature:	multi-range switching with 4 switchable measuring ranges (see table) $-35...+35^\circ\text{C}$; $-35...+75^\circ\text{C}$; $0...+50^\circ\text{C}$; $0...+80^\circ\text{C}$ (output corresponding to 0-10V or 4...20 mA)
Operating range, temperature:	$-35...+80^\circ\text{C}$
Deviation, temperature:	typically $\pm 0.2 \text{ K}$ at $+25^\circ\text{C}$
Output, temperature:	0-10 V or 4...20 mA or Ohm value
Ambient temperature:	storage $-5...+60^\circ\text{C}$ operation $-5...+60^\circ\text{C}$
Long-term stability:	$\pm 1\%$ per year
Housing:	plastic, UV-resistant, material polyamide, 30% glass-globe reinforced, with quick-locking screws (slotted / Phillips head combination), colour traffic white (similar to RAL 9016), housing cover for display is transparent!
Housing dimensions:	72 x 64 x 37.8 mm (Tyr 1 without display) 72 x 64 x 43.3 mm (Tyr 1 with display)
Cable connection:	cable gland , plastic (M16 x 1.5; with strain relief, exchangeable, max. inner diameter 10.4 mm) or M12 connector according to DIN EN 61076-2-101 (on request)
Electrical connection:	2-, 3-, or 4-wire connection (see connecting diagram), 0.14 - 1.5 mm ² via terminal screws
Connection cable:	PVC, LiYY, 6 x 0.14 mm ² , KL = approx. 2 m (other lengths optional)
Protective tube:	stainless steel V2A (1.4301), $\varnothing = 16 \text{ mm}$, NL = 142 mm
Protection class:	III (according to EN 60 730)
Protection type:	IP 65 (according to EN 60 529) Housing tested, TÜV SÜD, Report No. 713139052 (Tyr 1)
Standards:	CE conformity, according to EMC directive 2014 / 30 / EU, according to EN 61326-1, according to EN 61326-2-3
Optional:	two-line display with illumination , cutout approx. 36 x 15 mm (W x H), for displaying ACTUAL temperature and / or ACTUAL humidity
ACCESSORIES	see last chapter



M12 connector
(optional on request)

MF-16-K
Mounting flange,
plastic
(optional)





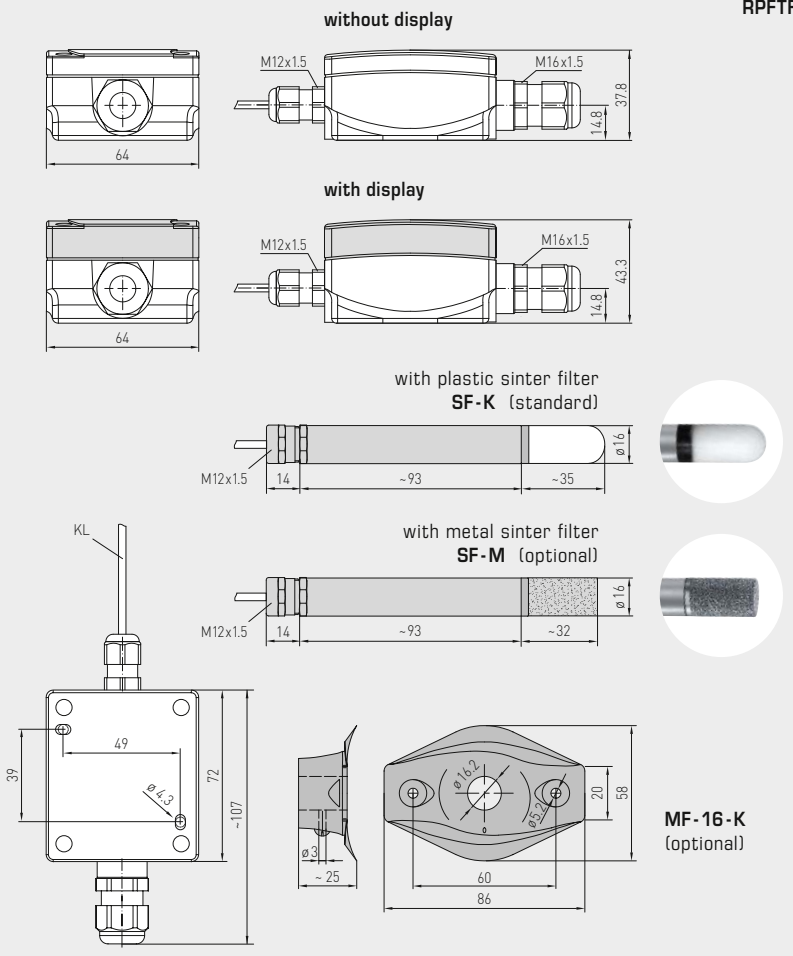
S+S REGELTECHNIK

HYGRASGARD® RPFF
HYGRASGARD® RPFTF

Pendulum room humidity and temperature sensors ($\pm 2.0\%$),
calibratable, with multi-range switching
and active output



Dimensional drawing



RPFF
RPFTF

RPFF
RPFTF
with display and
plastic sinter filter
(standard)



Temperature table
MR: -35...+75 °C

°C	U _A [V]	I _A [mA]
-35	0.0	4.0
-30	0.5	4.7
-25	0.9	5.5
-20	1.4	6.2
-15	1.8	6.9
-10	2.3	7.6
-5	2.7	8.4
0	3.2	9.1
5	3.6	9.8
10	4.1	10.5
15	4.5	11.3
20	5.0	12.0
25	5.5	12.7
30	5.9	13.5
35	6.4	14.2
40	6.8	14.9
45	7.3	15.6
50	7.7	16.4
55	8.2	17.1
60	8.6	17.8
65	9.1	18.5
70	9.5	19.2
75	10.0	20.0

Temperature table
MR: -35...+35 °C

°C	U _A [V]	I _A [mA]
-35	0.0	4.0
-30	0.7	5.1
-25	1.4	6.3
-20	2.1	7.4
-15	2.9	8.6
-10	3.6	9.7
-5	4.3	10.9
0	5.0	12.0
5	5.7	13.1
10	6.4	14.3
15	7.1	15.4
20	7.9	16.6
25	8.6	17.7
30	9.3	18.9
35	10.0	20.0

Temperature table
MR: 0...+50 °C

°C	U _A [V]	I _A [mA]
0	0.0	4.0
5	1.0	5.6
10	2.0	7.2
15	3.0	8.8
20	4.0	10.4
25	5.0	12.0
30	6.0	13.6
35	7.0	15.2
40	8.0	16.8
45	9.0	18.4
50	10.0	20.0

Temperature table
MR: 0...+80 °C

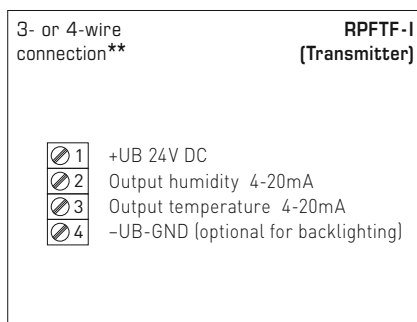
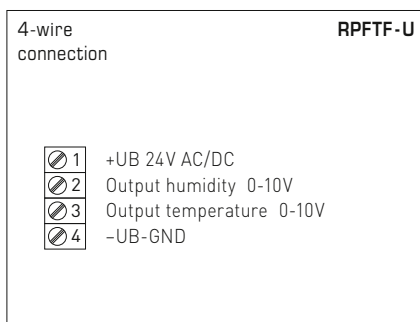
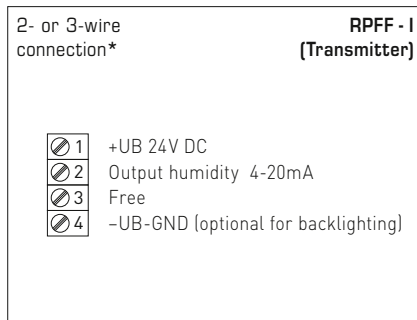
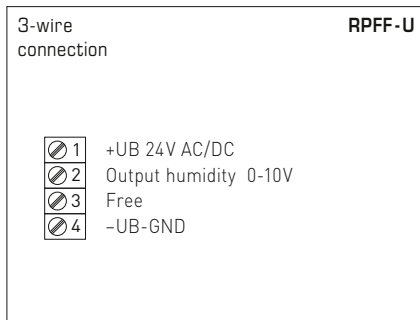
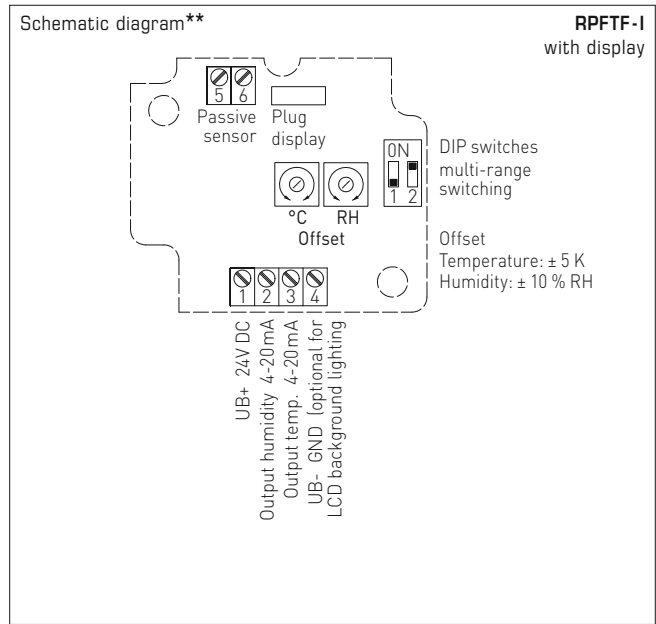
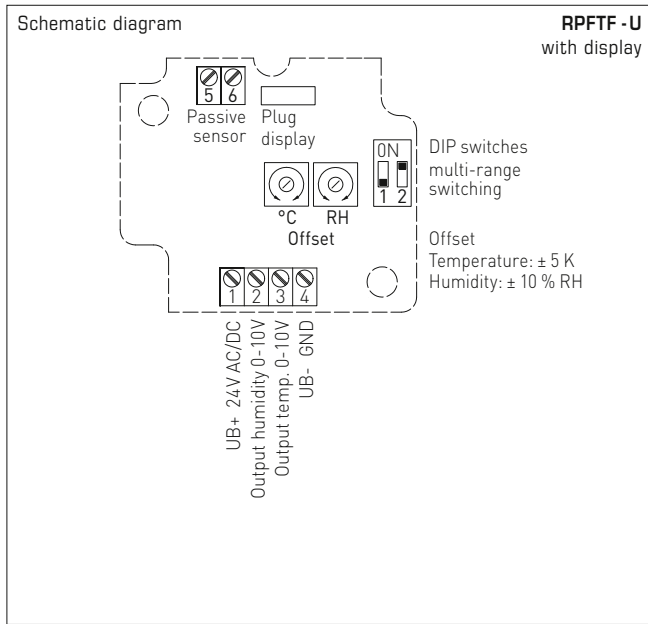
°C	U _A [V]	I _A [mA]
0	0.0	4.0
5	0.6	5.0
10	1.3	6.0
15	1.9	7.0
20	2.5	8.0
25	3.1	9.0
30	3.8	10.0
35	4.4	11.0
40	5.0	12.0
45	5.6	13.0
50	6.3	14.0
55	6.9	15.0
60	7.5	16.0
65	8.1	17.0
70	8.8	18.0
75	9.4	19.0
80	10.0	20.0

Humidity table
MR: 0...100% RH

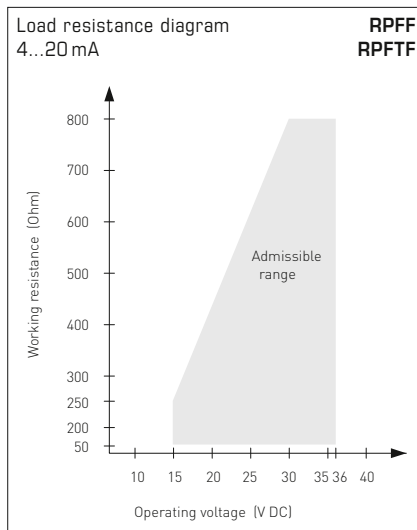
% RH	U _A [V]	I _A [mA]
0	0.0	4.0
5	0.5	4.8
10	1.0	5.6
15	1.5	6.4
20	2.0	7.2
25	2.5	8.0
30	3.0	8.8
35	3.5	9.6
40	4.0	10.4
45	4.5	11.2
50	5.0	12.0
55	5.5	12.8
60	6.0	13.6
65	6.5	14.4
70	7.0	15.2
75	7.5	16.0
80	8.0	16.8
85	8.5	17.6
90	9.0	18.4
95	9.5	19.2
100	10.0	20.0



Pendulum room humidity and temperature sensors ($\pm 2.0\%$),
calibratable, with multi-range switching
and active output



Temperature measuring ranges (adjustable)	DIP 1	DIP 2
-35...+75 °C	ON	ON
-35...+35 °C	OFF	OFF
0...+50 °C (default)	OFF	ON
0...+80 °C	ON	OFF



Connection*:
2-wire connection for devices with / without display (not illuminated)
3-wire connection for devices with illuminated display

Connection**:
3-wire connection for devices with / without display (not illuminated)
4-wire connection for devices with illuminated display

For the **I variant** the humidity path must be connected!



S+S REGELTECHNIK

HYGRASGARD® RPFF
HYGRASGARD® RPFTF

Pendulum room humidity and temperature sensors ($\pm 2.0\%$),
calibratable, with multi-range switching
and active output

RPFF
RPFTF
with display



HYGRASGARD® RPFF Pendulum room humidity sensors ($\pm 2.0\%$), *Premium*
HYGRASGARD® RPFTF Pendulum room humidity and temperature sensors ($\pm 2.0\%$), *Premium*

Type / WG01	Measuring Range / Readout		Output		Item No.	Price	
	Humidity	Temperature	Humidity	Temperature			
RPFF							
RPFF-I	0...100% RH	-	4...20 mA	-	1201-1172-0000-100	204,55 €	
RPFF-U	0...100% RH	-	0-10 V	-	1201-1171-0000-100	204,55 €	
RPFTF							
RPFTF-I	0...100% RH	-35...+75 °C -35...+35 °C 0...+50 °C 0...+80 °C	4...20 mA	4...20 mA	1201-1172-1000-100	209,13 €	
RPFTF-U	0...100% RH	-35...+75 °C -35...+35 °C 0...+50 °C 0...+80 °C	0-10 V	0-10 V	1201-1171-1000-100	209,13 €	
Extra charge:	Two-line display with illumination Cable length (KL = 2 m), other lengths optional up to max. 5 m					on request	51,32 €
Optional:	Cable connection with M12 connector according to DIN EN 61076-2-101					on request	

ACCESSORIES						
SF-M	Metal sinter filter , \varnothing 16 mm, L = 32 mm, exchangeable stainless steel V4A (1.4404)				7000-0050-2200-100	43,60 €
MF-16-K	Mounting flange , plastic				7100-0030-0000-000	9,85 €
For further information see last chapter!						

**Pendulum room humidity and temperature sensors ($\pm 1.8\%$),
calibratable, with multi-range switching
and active output**

The calibratable pendulum room humidity and temperature sensor **HYGRASGARD® RPFF-25/RPFTF-25** with pluggable metal sinter filter, housing made of impact-resistant plastic, with/without optional display.

It measures the relative humidity and/or the temperature of the air and converts the measurands into a standard signal of 0-10 V or 4...20 mA. It is equipped with four switchable temperature ranges. The sensor is applied in non-aggressive dust-free atmospheres in refrigeration, air conditioning, ventilation and clean room technology, hotels, technical rooms, meeting rooms and convention centres. These measuring transducers are designed for exact detection of temperature and humidity. A digital long-term stable sensor is used as measuring element for humidity and temperature measurement. The sensor is appropriate for ceiling and duct installation, or for integrating it into equipment. The sensor is factory-calibrated; an environmental precision adjustment by an expert is possible.

RPFF-25/RPFTF-25 ($\pm 1.8\%$)
pluggable measuring head
with metal sinter filter



TECHNICAL DATA

Power supply:	24 V AC ($\pm 20\%$); 15...36 V DC for U variant 15...36 V DC for I variant, depending on working resistance, residual ripple stabilised ± 0.3 V
Working resistance:	R_a (ohm) = $(U_b - 14 \text{ V}) / 0.02 \text{ A}$ for I variant
Load resistance:	$R_L > 5 \text{ k}\Omega$ for U variant
Power consumption:	$< 1.1 \text{ VA} / 24 \text{ V DC}$; $< 2.2 \text{ VA} / 24 \text{ V AC}$
Sensors:	digital humidity sensor with integrated temperature sensor , small hysteresis, high long-term stability, sensor head pluggable
Sensor protection:	pluggable measuring head (probe) with metal sinter filter , $\varnothing 16 \text{ mm}$, $L = 88.5 \text{ mm}$, exchangeable

HUMIDITY

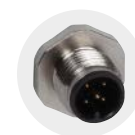
Measuring range, humidity:	0...100% RH (output corresponding to 0-10 V or 4...20 mA)
Operating range, humidity:	0...95% RH (without formation of dew)
Deviation, humidity:	typically $\pm 1.8\%$ (10...90% RH) at $+25^\circ\text{C}$, otherwise $\pm 2.0\%$
Output, humidity:	0-10 V for U variant 4...20 mA for I variant, see load resistance diagram

TEMPERATURE

Measuring range, temperature:	multi-range switching with 4 switchable measuring ranges (see table) $-35...+35^\circ\text{C}$; $-35...+75^\circ\text{C}$; $0...+50^\circ\text{C}$; $0...+80^\circ\text{C}$ (output corresponding to 0-10 V or 4...20 mA)
Deviation, temperature:	typically $\pm 0.2 \text{ K}$ at $+25^\circ\text{C}$
Output, temperature:	0-10 V or 4...20 mA or Ohm value
Ambient temperature:	storage $-35...+85^\circ\text{C}$ operation $-30...+70^\circ\text{C}$
Long-term stability:	$\pm 1\%$ per year
Electrical connection:	2-, 3-, or 4-wire connection (see connecting diagram), 0.14 - 1.5 mm ² via terminal screws
Connection cable:	KL = 2 m
Housing:	plastic, UV-resistant, material polyamide, 30% glass-globe reinforced, with quick-locking screws (slotted / Phillips head combination), colour traffic white (similar to RAL 9016), housing cover for display is transparent!
Housing dimensions:	126 x 90 x 50 mm (Tyr 2)
Cable connection:	cable gland , plastic (M 16 x 1.5; with strain relief, exchangeable, max. inner diameter 10.4 mm) or M12 connector according to DIN EN 61076-2-101 (on request)
Protective tube:	stainless steel V2A (1.4301), $\varnothing = 18 \text{ mm}$ (16 mm), $L = 120 \text{ mm}$
Protection class:	III (according to EN 60 730)
Protection type:	IP 65 (according to EN 60 529)
Standards:	CE conformity, according to EMC directive 2014 / 30 / EU, according to EN 61326-1, according to EN 61326-2-3

Optional: three-line **display with illumination**,
cutout approx. 70 x 40 mm (W x H),
for displaying ACTUAL temperature and/or ACTUAL humidity

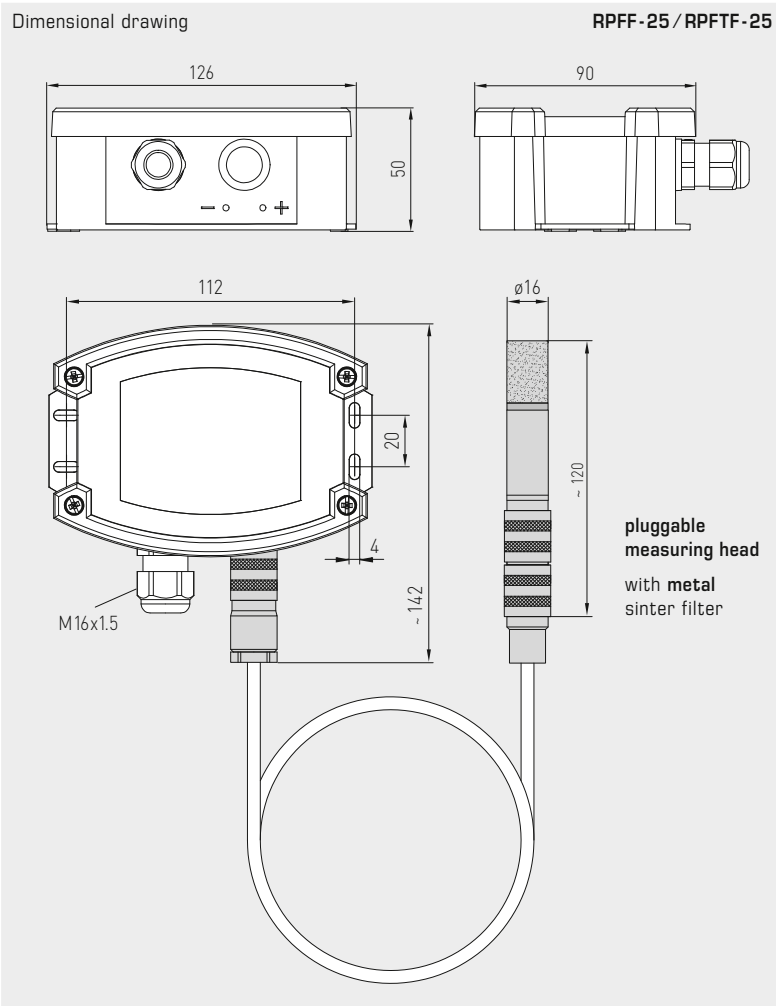
ACCESSORIES see last chapter



M12 connector
(optional on request)

MF-16-K
Mounting flange,
plastic
(optional)





RPFF-25 / RPFTF-25 ($\pm 1.8\%$)
pluggable measuring head
with metal sinter filter
and display



Temperature table
MR: -35...+75 °C

°C	U _A [V]	I _A [mA]
-35	0.0	4.0
-30	0.5	4.7
-25	0.9	5.5
-20	1.4	6.2
-15	1.8	6.9
-10	2.3	7.6
-5	2.7	8.4
0	3.2	9.1
5	3.6	9.8
10	4.1	10.5
15	4.5	11.3
20	5.0	12.0
25	5.5	12.7
30	5.9	13.5
35	6.4	14.2
40	6.8	14.9
45	7.3	15.6
50	7.7	16.4
55	8.2	17.1
60	8.6	17.8
65	9.1	18.5
70	9.5	19.2
75	10.0	20.0

Temperature table
MR: -35...+35 °C

°C	U _A [V]	I _A [mA]
-35	0.0	4.0
-30	0.7	5.1
-25	1.4	6.3
-20	2.1	7.4
-15	2.9	8.6
-10	3.6	9.7
-5	4.3	10.9
0	5.0	12.0
5	5.7	13.1
10	6.4	14.3
15	7.1	15.4
20	7.9	16.6
25	8.6	17.7
30	9.3	18.9
35	10.0	20.0

Temperature table
MR: 0...+50 °C

°C	U _A [V]	I _A [mA]
0	0.0	4.0
5	1.0	5.6
10	2.0	7.2
15	3.0	8.8
20	4.0	10.4
25	5.0	12.0
30	6.0	13.6
35	7.0	15.2
40	8.0	16.8
45	9.0	18.4
50	10.0	20.0

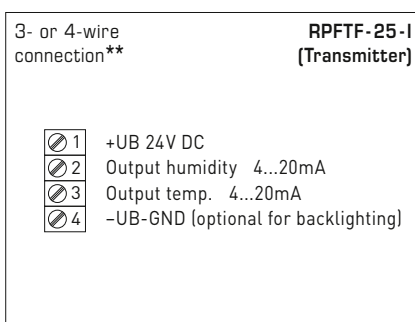
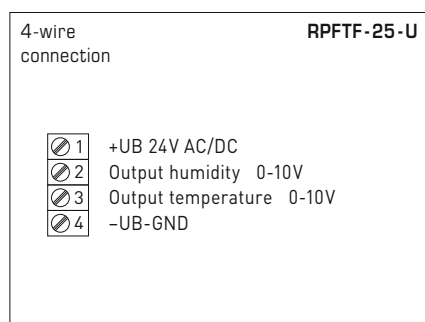
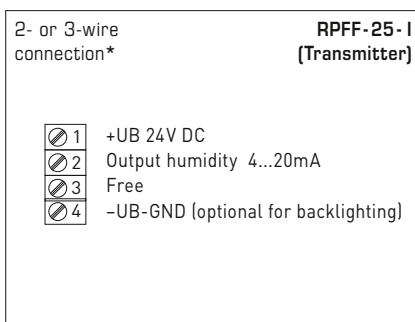
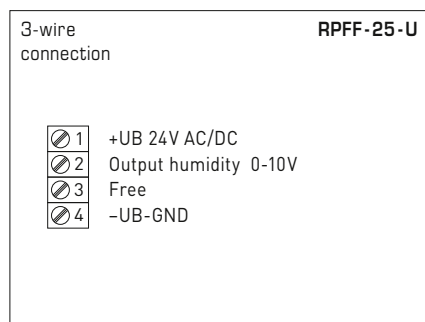
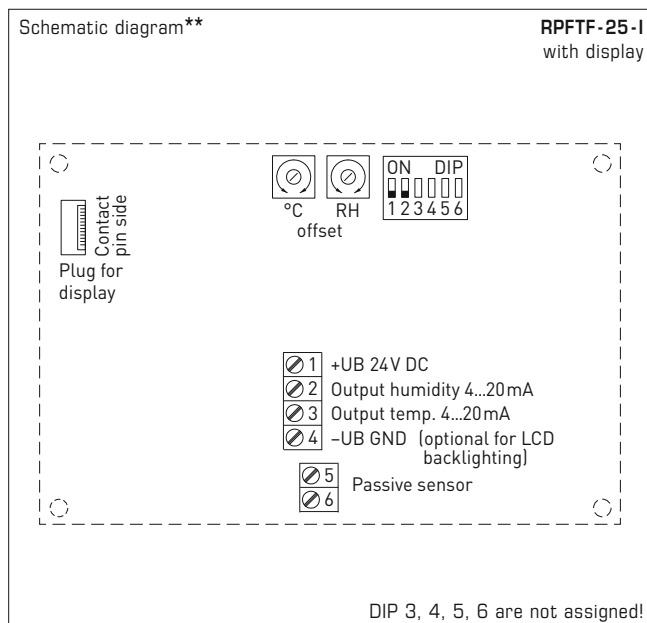
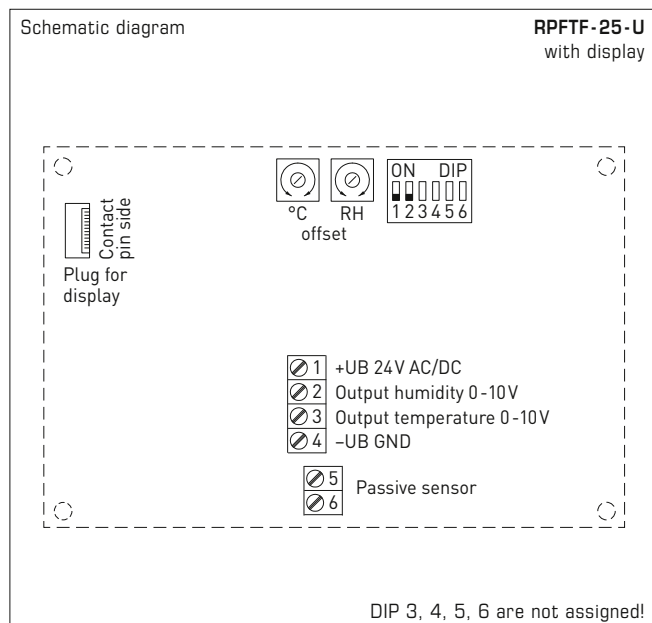
Temperature table
MR: 0...+80 °C

°C	U _A [V]	I _A [mA]
0	0.0	4.0
5	0.6	5.0
10	1.3	6.0
15	1.9	7.0
20	2.5	8.0
25	3.1	9.0
30	3.8	10.0
35	4.4	11.0
40	5.0	12.0
45	5.6	13.0
50	6.3	14.0
55	6.9	15.0
60	7.5	16.0
65	8.1	17.0
70	8.8	18.0
75	9.4	19.0
80	10.0	20.0

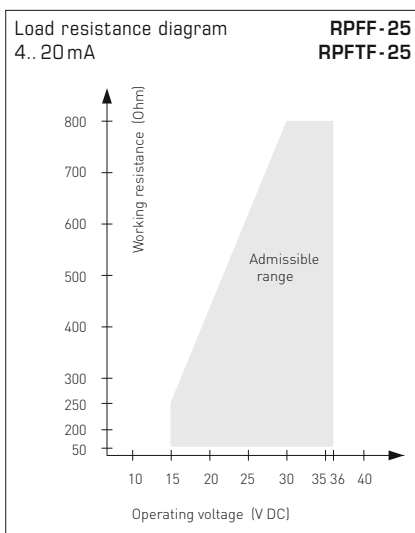
Humidity table
MR: 0...100% RH

% RH	U _A [V]	I _A [mA]
0	0.0	4.0
5	0.5	4.8
10	1.0	5.6
15	1.5	6.4
20	2.0	7.2
25	2.5	8.0
30	3.0	8.8
35	3.5	9.6
40	4.0	10.4
45	4.5	11.2
50	5.0	12.0
55	5.5	12.8
60	6.0	13.6
65	6.5	14.4
70	7.0	15.2
75	7.5	16.0
80	8.0	16.8
85	8.5	17.6
90	9.0	18.4
95	9.5	19.2
100	10.0	20.0

Pendulum room humidity and temperature sensors ($\pm 1.8\%$),
calibratable, with multi-range switching
and active output



Temperature measuring ranges (adjustable)	DIP 1	DIP 2
-35...+75 °C	ON	ON
-35...+35 °C	OFF	OFF
0...+50 °C (default)	OFF	ON
0...+80 °C	ON	OFF



Connection*:
2-wire connection for devices with / without display (not illuminated)
3-wire connection for devices with illuminated display

Connection**:
3-wire connection for devices with / without display (not illuminated)
4-wire connection for devices with illuminated display

For the **I variant** the humidity path must be connected!



S+S REGELTECHNIK

HYGRASGARD® RPFF - 25
HYGRASGARD® RPFTF - 25

Pendulum room humidity and temperature sensors ($\pm 1.8\%$),
calibratable, with multi-range switching
and active output

RPFF-25 / RPFTF-25 ($\pm 1.8\%$)
with display



HYGRASGARD® RPFF - 25 Pendulum room humidity sensors, pluggable ($\pm 1.8\%$), *Deluxe*
HYGRASGARD® RPFTF - 25 Pendulum room humidity and temperature sensors, pluggable ($\pm 1.8\%$), *Deluxe*

Type / WG02	Measuring Range / Readout		Output		Display	Item No.	Price
	Humidity	Temperature	Humidity	Temperature			
RPFF-25-I							I-variant
RPFF-25-I	0...100% RH	–	4... 20 mA	–		1201-7122-0000-100	426,13 €
RPFF-25-I LCD	0...100% RH	–	4... 20 mA	–	■	1201-7122-0400-100	477,45 €
RPFF-25-U							U-variant
RPFF-25-U	0...100% RH	–	0-10 V	–		1201-7121-0000-100	426,13 €
RPFF-25-U LCD	0...100% RH	–	0-10 V	–	■	1201-7121-0400-100	477,45 €
RPFTF-25-I							I-variant
RPFTF-25-I	0...100% RH	–35...+75 °C –35...+35 °C 0...+50 °C 0...+80 °C	4... 20 mA	4... 20 mA		1201-7122-1000-100	448,43 €
RPFTF-25-I LCD	0...100% RH	(4x as above)	4... 20 mA	4... 20 mA	■	1201-7122-1400-100	499,75 €
RPFTF-25-U							U-variant
RPFTF-25-U	0...100% RH	–35...+75 °C –35...+35 °C 0...+50 °C 0...+80 °C	0-10 V	0-10 V		1201-7121-1000-100	448,43 €
RPFTF-25-U LCD	0...100% RH	(4x as above)	0-10 V	0-10 V	■	1201-7121-1400-100	499,75 €
Optional:	Cable connection with M12 connector according to DIN EN 61076-2-101						on request

ACCESSORIES			
MSK-25	Pluggable measuring head (sensor), stainless steel V2A (1.4301), metal sinter filter, Ø 16 mm, L = 88.5 mm, exchangeable, as replacement element for RPFF-25/RPFTF-25	7201-1131-0000-000	221,60 €
MF-16-K	Mounting flange, plastic	7100-0030-0000-000	9,85 €

For further information see last chapter!

Showcase humidity and temperature sensors ($\pm 2.0\%$),
calibratable, with multi-range switching
and active output

The calibratable humidity and temperature sensor **HYGRASGARD® VFF / VFTF** measures the relative humidity and temperature of air. It converts the measurands humidity and temperature into a standard signal of 0-10V or 4...20mA, and is available with / without an optional display. It is equipped with four switchable temperature ranges. Relative humidity (in %RH) is the quotient of water vapour partial pressure divided by the saturation vapour pressure at the respective gas temperature. The measuring transducers are designed for exact detection of temperature and humidity. A digital, long-term stable sensor is used as a measuring element for humidity and temperature measurement. The sensor is factory-calibrated; an environmental precision adjustment by an expert is possible.

The showcase sensor is used in non-aggressive, dust-free environments and is specifically designed for installation in ceilings, walls, inside showcases or display cabinets in museums, galleries, cinemas or lecture halls or laboratories. The measuring element is contained inside a stainless steel probe and its low height (approx. 2.5 mm) makes it barely noticeable.

TECHNICAL DATA

Power supply:	24 V AC ($\pm 20\%$) and 15...36 V DC for U variant 15...36 V DC for I variant, depending on working resistance, residual ripple stabilised $\pm 0.3V$
Working resistance:	$R_a \text{ (Ohm)} = (U_b - 14 V) / 0.02 A$ for I variant
Load resistance:	$R_L > 5 k\Omega$ for U variant
Power consumption:	$< 1.1 VA / 24 V DC$; $< 2.2 VA / 24 V AC$
Sensors:	digital humidity sensor with integrated temperature sensor , low hysteresis, high long-term stability

HUMIDITY

Measuring range, humidity:	0...100% RH (output corresponding to 0-10V or 4...20mA)
Operating range, humidity:	0...95% RH (without formation of dew)
Deviation in humidity:	typically $\pm 2.0\%$ (20...80% RH) at $+25^\circ C$, otherwise $\pm 3.0\%$
Output, humidity:	0-10V for U variant 4...20 mA for I variant, see load resistance diagram

TEMPERATURE

Measuring range, temperature:	multi-range switching with 4 switchable measuring ranges (see table) $-35...+35^\circ C$; $-35...+75^\circ C$; $0...+50^\circ C$; $0...+80^\circ C$ (output corresponding to 0-10V or 4...20mA)
Deviation, temperature:	typically $\pm 0.2 K$ at $+25^\circ C$
Output, temperature:	0-10V or 4...20mA
Ambient temperature:	storage $-5...+60^\circ C$; operation $-5...+60^\circ C$
Long-term stability:	$\pm 1\%$ per year

Housing:	plastic, UV-resistant, material polyamide, 30% glass-globe reinforced, with quick-locking screws (slotted / Phillips head combination), colour traffic white (similar to RAL 9016), housing cover for display is transparent!
----------	----------------------------------------------------------------------------------------------------------------------------------------------------------------------------------------------------------------------------------------------

Housing dimensions:	72 x 64 x 37.8 mm (Tyr 1 without display) 72 x 64 x 43.3 mm (Tyr 1 with display)
---------------------	-------------------------------------------------------------------------------------

Cable connection:	cable gland , plastic (M 16 x 1.5; with strain relief, exchangeable, max. inner diameter 10.4 mm) or M12 connector according to DIN EN 61076-2-101 (optional on request)
-------------------	--------------------------------------------------------------------------------------------------------------------------------------------------------------------------------------------------------

Electrical connection:	2-, 3-, or 4-wire connection (see connecting diagram), 0.14 - 1.5 mm ² , via terminal screws
------------------------	------------------------------------------------------------------------------------------------------------

Connecting cable:	PVC, LiYY, 4x0.14 mm ² , cable length (KL) = 2 m
-------------------	-------------------------------------------------------------

Sensor protection:	probe made of stainless steel, V4A (1.4571), pluggable ; sensor head $\varnothing = 17$ mm, H = approx. 2.5 mm; protective sleeve $\varnothing = 10$ mm, NL = approx. 25 mm, M10 x 1.0; with plastic plug connector $\varnothing =$ approx. 11 mm, NL = approx. 25 mm,
--------------------	------------------------------------------------------------------------------------------------------------------------------------------------------------------------------------------------------------------------------------------------------------------------------------------------------

Mounting (sensor):	cut-out $\varnothing = 11 - 15$ mm, inserted length (EL) = approx. 50 mm, lock nut for fixing is included in the scope of delivery.
--------------------	----------------------------------------------------------------------------------------------------------------------------------------

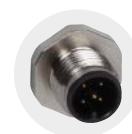
Protection class:	III (according to EN 60730)
-------------------	-----------------------------

Protection type:	IP 65 (according to EN 60529) Housing tested, TÜV SÜD, Report No. 713139052 (Tyr 1)
------------------	-----------------------------------------------------------------------------------------------

Standards:	CE conformity according to EMC Directive 2014/30/EU, according to EN 61326-1, according to EN 61326-2-3
------------	------------------------------------------------------------------------------------------------------------

Optional:	two-line display with illumination , cut-out approx. 36 x 15 mm (W x H), for displaying ACTUAL temperature and / or ACTUAL humidity
-----------	--------------------------------------------------------------------------------------------------------------------------------------------------

VFF
VFTF



M12 connector
(optional on request)

VFF
VFTF

Probe made of stainless steel,
pluggable

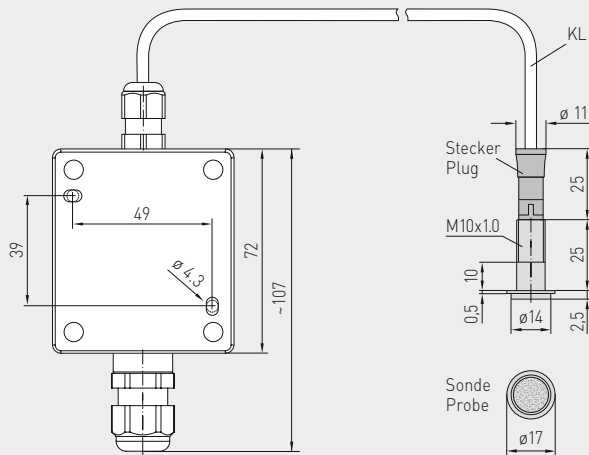
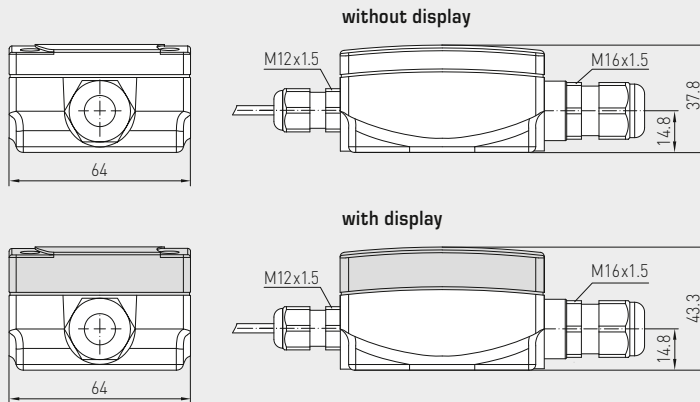




Dimensional drawing

VFF
VFTF

VFF
VFTF
with display



Temperature table
MR: -35...+75 °C

°C	U _A [V]	I _A [mA]
-35	0.0	4.0
-30	0.5	4.7
-25	0.9	5.5
-20	1.4	6.2
-15	1.8	6.9
-10	2.3	7.6
-5	2.7	8.4
0	3.2	9.1
5	3.6	9.8
10	4.1	10.5
15	4.5	11.3
20	5.0	12.0
25	5.5	12.7
30	5.9	13.5
35	6.4	14.2
40	6.8	14.9
45	7.3	15.6
50	7.7	16.4
55	8.2	17.1
60	8.6	17.8
65	9.1	18.5
70	9.5	19.2
75	10.0	20.0

Temperature table
MR: -35...+35 °C

°C	U _A [V]	I _A [mA]
-35	0.0	4.0
-30	0.7	5.1
-25	1.4	6.3
-20	2.1	7.4
-15	2.9	8.6
-10	3.6	9.7
-5	4.3	10.9
0	5.0	12.0
5	5.7	13.1
10	6.4	14.3
15	7.1	15.4
20	7.9	16.6
25	8.6	17.7
30	9.3	18.9
35	10.0	20.0

Temperature table
MR: 0...+50 °C

°C	U _A [V]	I _A [mA]
0	0.0	4.0
5	1.0	5.6
10	2.0	7.2
15	3.0	8.8
20	4.0	10.4
25	5.0	12.0
30	6.0	13.6
35	7.0	15.2
40	8.0	16.8
45	9.0	18.4
50	10.0	20.0

Temperature table
MR: 0...+80 °C

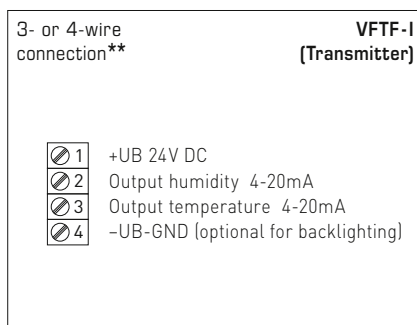
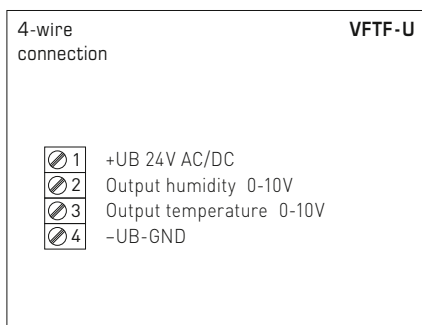
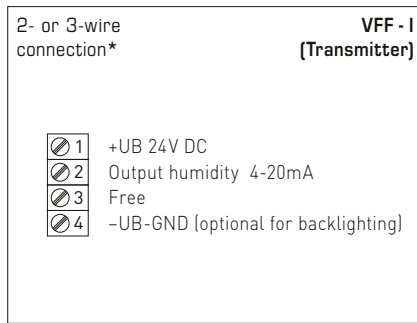
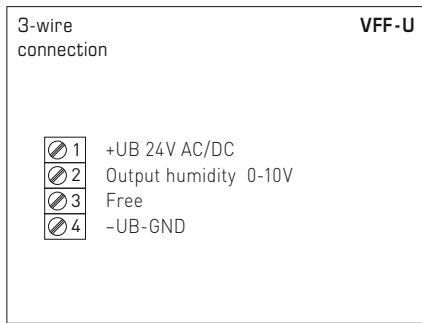
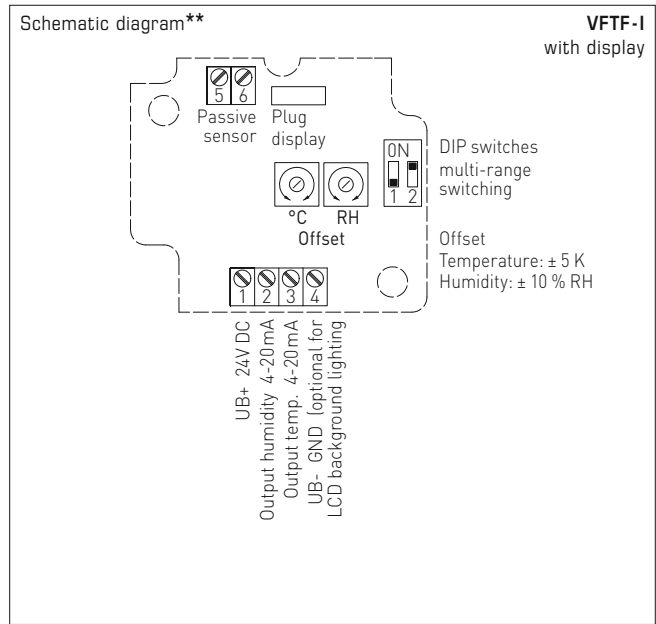
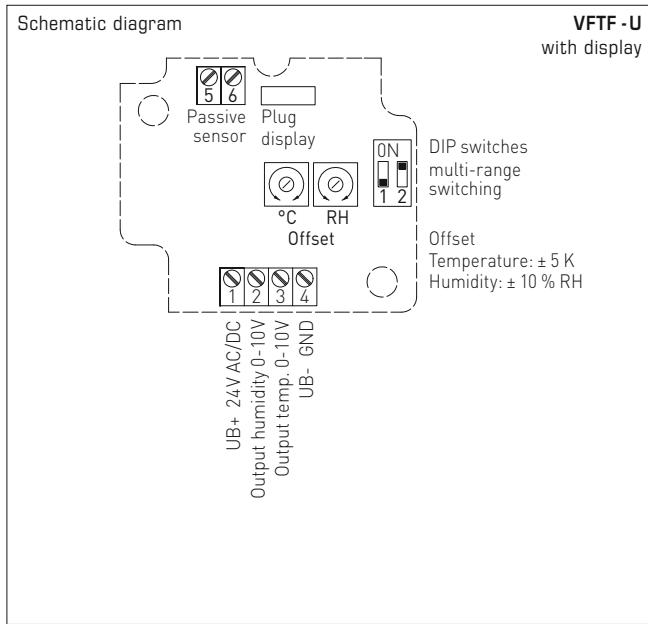
°C	U _A [V]	I _A [mA]
0	0.0	4.0
5	0.6	5.0
10	1.3	6.0
15	1.9	7.0
20	2.5	8.0
25	3.1	9.0
30	3.8	10.0
35	4.4	11.0
40	5.0	12.0
45	5.6	13.0
50	6.3	14.0
55	6.9	15.0
60	7.5	16.0
65	8.1	17.0
70	8.8	18.0
75	9.4	19.0
80	10.0	20.0

Humidity table
MR: 0...100% RH

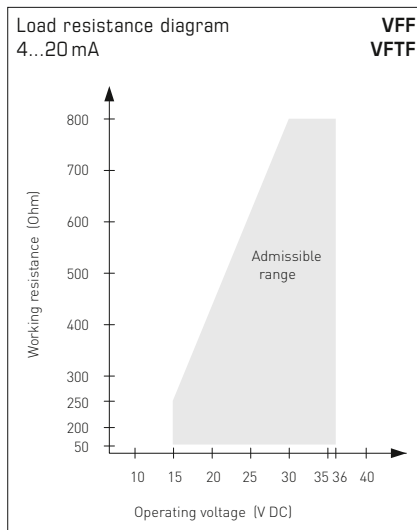
% RH	U _A [V]	I _A [mA]
0	0.0	4.0
5	0.5	4.8
10	1.0	5.6
15	1.5	6.4
20	2.0	7.2
25	2.5	8.0
30	3.0	8.8
35	3.5	9.6
40	4.0	10.4
45	4.5	11.2
50	5.0	12.0
55	5.5	12.8
60	6.0	13.6
65	6.5	14.4
70	7.0	15.2
75	7.5	16.0
80	8.0	16.8
85	8.5	17.6
90	9.0	18.4
95	9.5	19.2
100	10.0	20.0



Showcase humidity and temperature sensors ($\pm 2.0\%$),
calibratable, with multi-range switching
and active output



Temperature measuring ranges (adjustable)	DIP 1	DIP 2
-35...+75 °C	ON	ON
-35...+35 °C	OFF	OFF
0...+50 °C (default)	OFF	ON
0...+80 °C	ON	OFF



Connection*:
2-wire connection for devices with / without display (not illuminated)
3-wire connection for devices with illuminated display

Connection**:
3-wire connection for devices with / without display (not illuminated)
4-wire connection for devices with illuminated display

For the **I variant** the humidity path must be connected!



S+S REGELTECHNIK

HYGRASGARD® VFF
HYGRASGARD® VFTF

Showcase humidity and temperature sensors ($\pm 2.0\%$),
calibratable, with multi-range switching
and active output

VFF
VFTF
with display



HYGRASGARD® VFF		Showcase humiditysensor ($\pm 2.0\%$), Premium				
HYGRASGARD® VFTF		Showcase humidity- and temperature sensor ($\pm 2.0\%$), Premium				
Type / WG02	Measuring Range / Readout	Output	Display	Item No.	Price	
	Humidity	Humidity	Temperature			
VFF-I						
VFF-I	0...100% RH	4...20mA	-	I-variant	1201-6122-0000-100 476,26 €	
VFF-I LCD	0...100% RH	4...20mA	-	■	1201-6122-0200-100 528,78 €	
VFF-U						
VFF-U	0...100% RH	0-10V	-	U-variant	1201-6121-0000-100 476,26 €	
VFF-U LCD	0...100% RH	0-10V	-	■	1201-6121-0200-100 528,78 €	
VFTF-I						
VFTF-I	0...100% RH	4...20mA	4...20mA	I-variant	1201-6122-1000-100 480,54 €	
			-35...+75 °C -35...+35 °C 0...+50 °C 0...+80 °C			
VFTF-I LCD	0...100% RH	4...20mA	4...20mA	■	1201-6122-1200-100 533,40 €	
VFTF-U						
VFTF-U	0...100% RH	0-10V	0-10V	U-variant	1201-6121-1000-100 480,54 €	
			-35...+75 °C -35...+35 °C 0...+50 °C 0...+80 °C			
VFTF-U LCD	0...100% RH	0-10V	0-10V	■	1201-6121-1200-100 533,40 €	
Optional:	Cable connection with M12 connector according to DIN EN 61076-2-101				on request	

Room hygrostats and humidity and temperature sensors ($\pm 2.0\%$), electronic, two-step, with continuous / switching outputs

Electronic room hygrostat and/or room thermostat **HYGRASREG® RHT-30** with one continuous and two switching outputs, adjustable switching thresholds, with / without optional display for indicating ACTUAL humidity and/or ACTUAL temperature (accuracy class $\pm 2.0\%$ RH). The setpoints can be allocated to the relative humidity and/or to the temperature.

It is suitable for regulating and monitoring relative humidity (humidifying and dehumidifying) and/or the temperature (heating and cooling), e.g. in ventilation and air conditioning ducts, laboratories, production facilities, climatic test cabinets, indoor swimming pools, greenhouses, etc., to control humidifying and dehumidifying equipment or heating system control. The measuring transducers are designed for exact humidity/temperature measurement. The RHT-30 uses a digital, long-term stable sensor as a measuring element. It is used in dust-free, unpolluted, non-aggressive air.

TECHNICAL DATA

Power supply:	24 V AC ($\pm 20\%$), 15...36 V DC
Load resistance:	$R_L > 5 \text{ k}\Omega$
Power consumption:	$< 1,5 \text{ VA} / 24 \text{ V DC}$, $< 3,5 \text{ VA} / 24 \text{ V AC}$
Sensor:	digital humidity sensor with integrated temperature sensor , low hysteresis, high long-term stability
Setting range:	5...95 % RH (Humidity) +5...+45 °C (Temperature) (switch steps 1 and 2 are separately adjustable)
Operating difference:	Mode 1: both switch steps are freely adjustable (rel. humidity) Mode 2: 5 % between both switch steps (rel. humidity) Mode 3: both switch steps freely adjustable (temperature) Mode 4: switch step 1 (temperature), switch step 2 (rel. humidity) (adjustable via DIP switches)
Output:	potential-free changeover contacts (2x changeover contact 24 V, 1A ohmic load, separately adjustable, 1x 0 - 10V)
Deviation, humidity:	typically $\pm 2.0\%$ (20...80% RH) at +25 °C, otherwise $\pm 3.0\%$
Deviation, temperature:	typically $\pm 0.2 \text{ K}$ at +25 °C
Ambient temperature:	storage -35...+85 °C; operation -30...+70 °C, non-precipitating
Long-term stability:	$\pm 1\%$ per year
Housing:	plastic, material ABS, colour pure white (similar to RAL 9010)
Housing dimensions:	98 x 98 x 35 mm (Baldur 2)
Installation:	wall mounting or on in-wall flush box, $\varnothing 55 \text{ mm}$, base with 4-hole for mounting on vertically or horizontally installed in-wall flush boxes for cable entry from the back, with predetermined breaking point for on-wall cable entry from top / bottom in case of plain on-wall installation
Protection class:	III (according to EN 60 730)
Protection type:	IP 30 (according to EN 60 529)
Electrical connection:	0.14 - 1.5 mm ² , via terminal screws
Standards:	CE conformity, EMC directive 2014 / 30 / EU
Optional:	two-line display with illumination , cutout approx. 36x15 mm (W x H), for displaying ACTUAL humidity and/or ACTUAL temperature respectively for setpoint adjustment

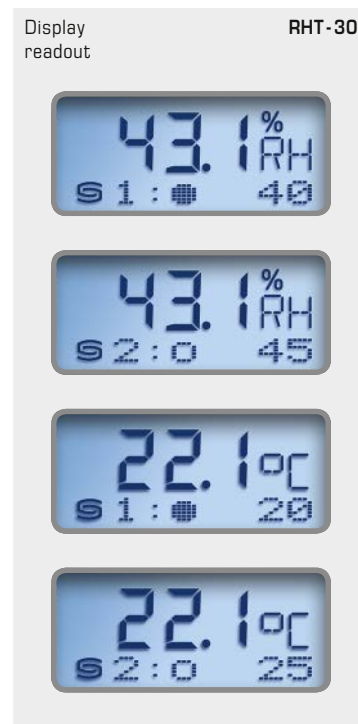
FUNCTION

Humidifying/heating:	1st step: wire contacts 11 - 12. If actual humidity falls more than 3% RH / 1 K (hysteresis) below switching threshold S1, the changeover contact switches to 11 - 12. 2. step: wire contacts 21 - 22. If actual humidity falls more than 3% RH / 1 K (hysteresis) below switching threshold S2, the changeover contact switches to 21 - 22. Terminal 2: output relative humidity / temperature
Dehumidifying/cooling:	1st step: wire contacts 11 - 13. When actual humidity exceeds switching threshold S1, the changeover contact switches to 11 - 13. 2. step: wire contacts 21 - 23. When actual humidity exceeds switching threshold S2, the changeover contact switches to 21 - 23. Terminal 2: output relative humidity / temperature

The **1st line** of the display shows the **ACTUAL humidity** in % RH and the **ACTUAL temperature** in °C. The displays showing the ACTUAL values alternate in a 3-second rhythm. Resolution: 1/10 % RH or 1/10 °C.

The **2nd line** shows information about the **switching status of the relay** (as a circuit), and indicates the **switching value** in % RH or °C (adjustable via the corresponding set potentiometer). The readouts of the switching thresholds for the first and second relay are displayed alternately at an interval of twenty seconds.

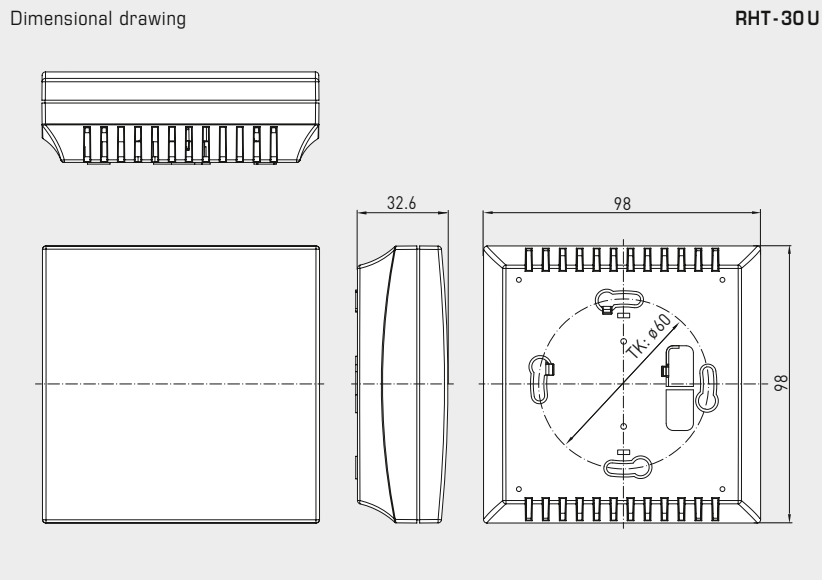
For improved legibility, backlighting is provided.



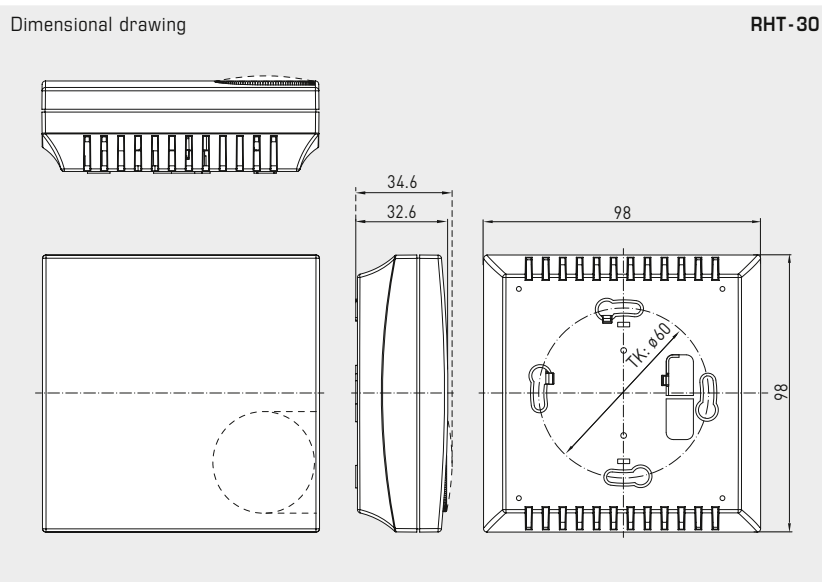


S+S REGELTECHNIK

Room hygrostats and humidity and temperature sensors ($\pm 2.0\%$), electronic, two-step, with continuous / switching outputs



RHT-30U
with internal setting



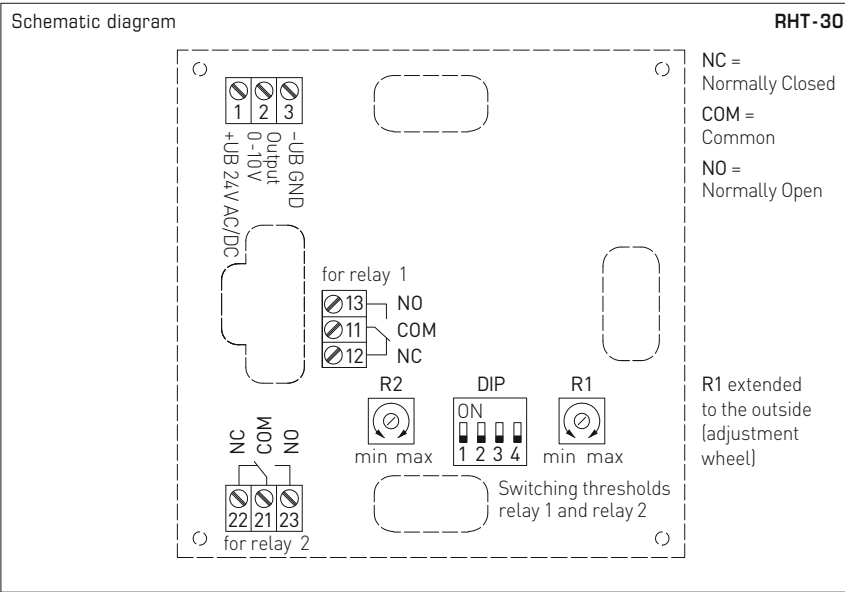
RHT-30



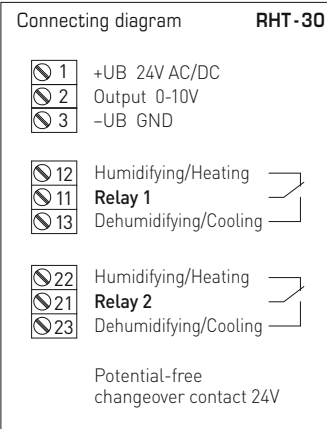
RHT-30
with display



Room hygrostats and humidity and temperature sensors ($\pm 2.0\%$), electronic, two-step, with continuous / switching outputs

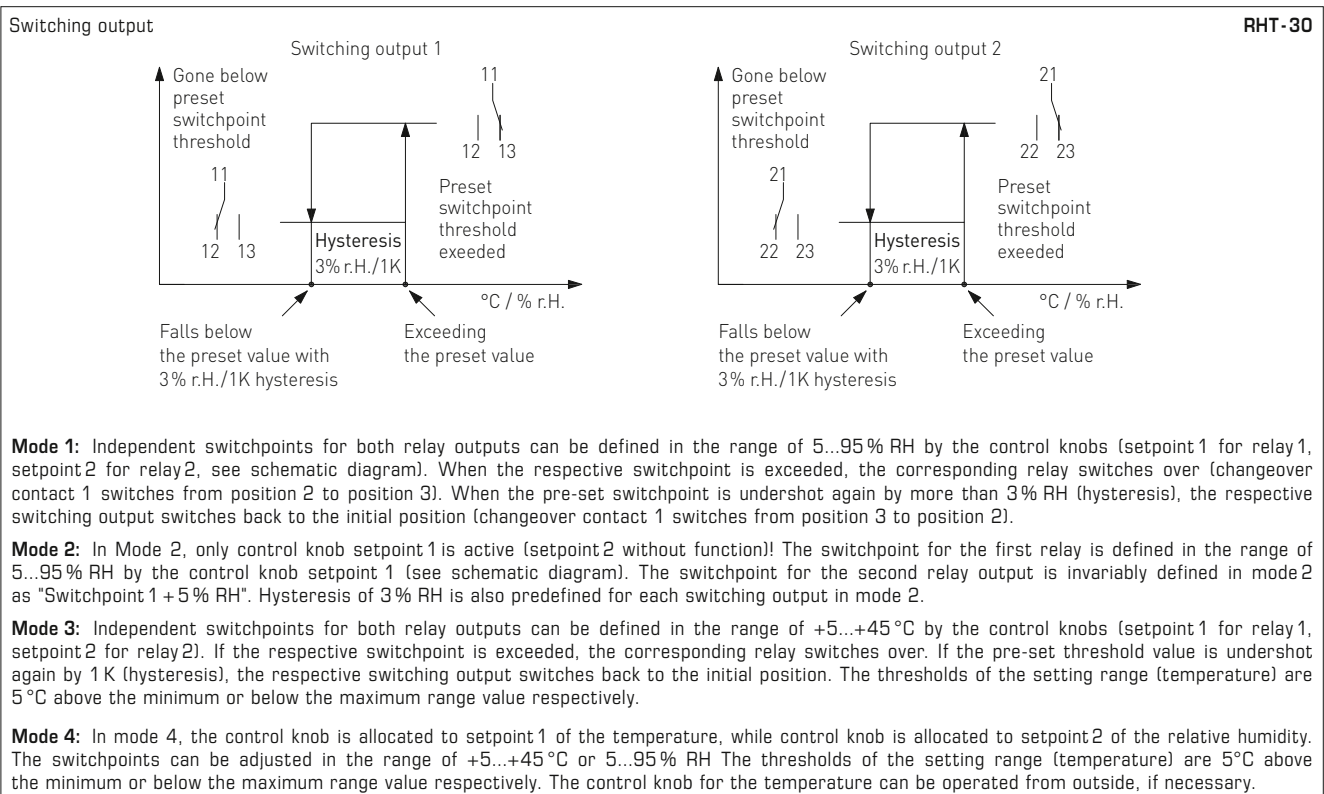


DIP switches	RHT-30	
Function mode	DIP 1	DIP 2
Mode 1 (2x 5...95%RH) (default)	OFF	OFF
Mode 2 (5...95%RH + 5%RH)	ON	OFF
Mode 3 (2x +5...+45°C)	OFF	ON
Mode 4 (5...95%RH/+5...+45°C)	ON	ON
Output	DIP 3	
Temperature	ON	
Relative humidity (default)	OFF	
Backlighting	DIP 4	
activated	ON	
deactivated (default)	OFF	



Supply	AC	DC
→ 1	24V~	24V DC
→ 3	0V	GND

12 (A1) →	Relay 1 Breaker contact
11 (W1) →	Relay 1 Changeover contact
13 (B1) →	Relay 1 Normally open contact
22 (A2) →	Relay 2 Breaker contact
21 (W2) →	Relay 2 Changeover contact
23 (B2) →	Relay 2 Normally open contact





RHT-30 with display



Humidity table

MR: 0...100% RH

% RH	U _A [V]	% RH	U _A [V]
0	0.0	50	5.0
5	0.5	55	5.5
10	1.0	60	6.0
15	1.5	65	6.5
20	2.0	70	7.0
25	2.5	75	7.5
30	3.0	80	8.0
35	3.5	85	8.5
40	4.0	90	9.0
45	4.5	95	9.5
Continued at the right...		100	10.0

Temperature table

MR: 0...+50 °C

°C	U _A [V]
0	0.0
5	1.0
10	2.0
15	3.0
20	4.0
25	5.0
30	6.0
35	7.0
40	8.0
45	9.0
50	10.0

HYGRASREG® RHT - 30 Room hygrostats and humidity and temperature sensors ($\pm 2.0\%$)							
Type / WG02	Setting Range		Output	Steps	Display	Item No.	Price
	Humidity	Temperature					
RHT-30						External setting	
RHT-30W	5...95% RH	+5...+45 °C	2x Changeover contact, 1x 0-10V	two-step		1202-4077-1011-200	190,26 €
RHT-30W LCD	5...95% RH	+5...+45 °C	2x Changeover contact, 1x 0-10V	two-step	■	1202-4077-1211-200	203,94 €
RHT-30-U						Internal setting	
RHT-30W U	5...95% RH	+5...+45 °C	2x Changeover contact, 1x 0-10V	two-step		1202-4077-1021-200	187,51 €

**On-wall hygrostats and humidity sensors ($\pm 2.0\%$),
electronic, one-step,
with switching outputs**

Electronic hygrostat and humidity sensor **HYGRASREG® AH-40** with one switching output, adjustable switching threshold and display for displaying ACTUAL humidity (accuracy class $\pm 2.0\%$ RH) and for setting the target humidity.

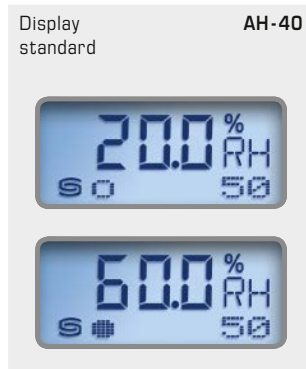
It is suitable for controlling and monitoring the relative air humidity, e.g. in laboratories, production rooms, climatic exposure test cabinets, swimming pools, greenhouses etc., for controlling humidifying and dehumidifying facilities. The measuring transducers are designed for exact detection of humidity. The AH-40 uses a digital, long-term stable sensor as a measuring element for measuring humidity. It is used in dust-free, unpolluted, non-aggressive air.

AH-40
with display and
metal sinter filter
(optional)



TECHNICAL DATA

Power supply:	24 V AC ($\pm 20\%$) 15...36 V DC
Power consumption:	< 1.1 VA / 24 V DC < 2.2 VA / 24 V AC
Sensors:	digital humidity sensor , small hysteresis, high long-term stability
Sensor protection:	plastic sinter filter, \varnothing 16 mm, L = 35 mm, exchangeable (optional metal sinter filter, \varnothing 16 mm, L = 32 mm)
Setting range:	5...95% RH
Output:	potential-free changeover contact (24 V), 1 A ohmic load
Deviation, humidity:	typically $\pm 2.0\%$ (20...80% RH) at +25 °C, otherwise $\pm 3.0\%$
Ambient temperature:	storage -35...+85 °C; operation -30...+75 °C, non-precipitating
Long-term stability:	$\pm 1\%$ per year
Housing:	plastic, UV-resistant, material polyamide, 30% glass-globe reinforced, with quick-locking screws (slotted/Phillips head combination), colour traffic white (similar to RAL 9016),, housing cover for display is transparent!
Housing dimensions:	72 x 64 x 43.3 mm (Tyr 1 with display)
Electrical connection:	0.14 - 1.5 mm ² , via terminal screws
Cable connection:	cable gland , plastic (M 16 x 1.5; with strain relief, exchangeable, max. inner diameter 10.4 mm) or M12 connector according to DIN EN 61076-2-101 (optional on request)
Protective tube:	stainless steel V2A (1.4301), \varnothing 16 mm, NL = 55 mm
Prozessanschluss:	by screws
Protection class:	III (according to EN 60 730)
Protection type:	IP65 (according to EN 60 529) Housing tested, TÜV SÜD, Report No. 713139052 (Tyr 1)
Standards:	CE conformity, electromagnetic compatibility according to EN 61 326, EMC directive 2014/30/EU
Display:	two-line display with illumination , cutout approx. 36x15 mm (W x H), for displaying actual humidity and for setting the target humidity
Displaying:	The 1 st line of the display shows the relative humidity . The 2 nd line shows on the left side the information regarding the switching status of the relay (as a circuit), as well as the switching value readout in % RH on the right side (adjustable using the set potentiometer). ○ Circuit, empty = relay in idle state ● Circuit, full = relay energised
FUNCTION	actual humidity < switching value contact 11-12 closed (LED OFF) actual humidity > switching value contact 11-13 closed (LED ON)

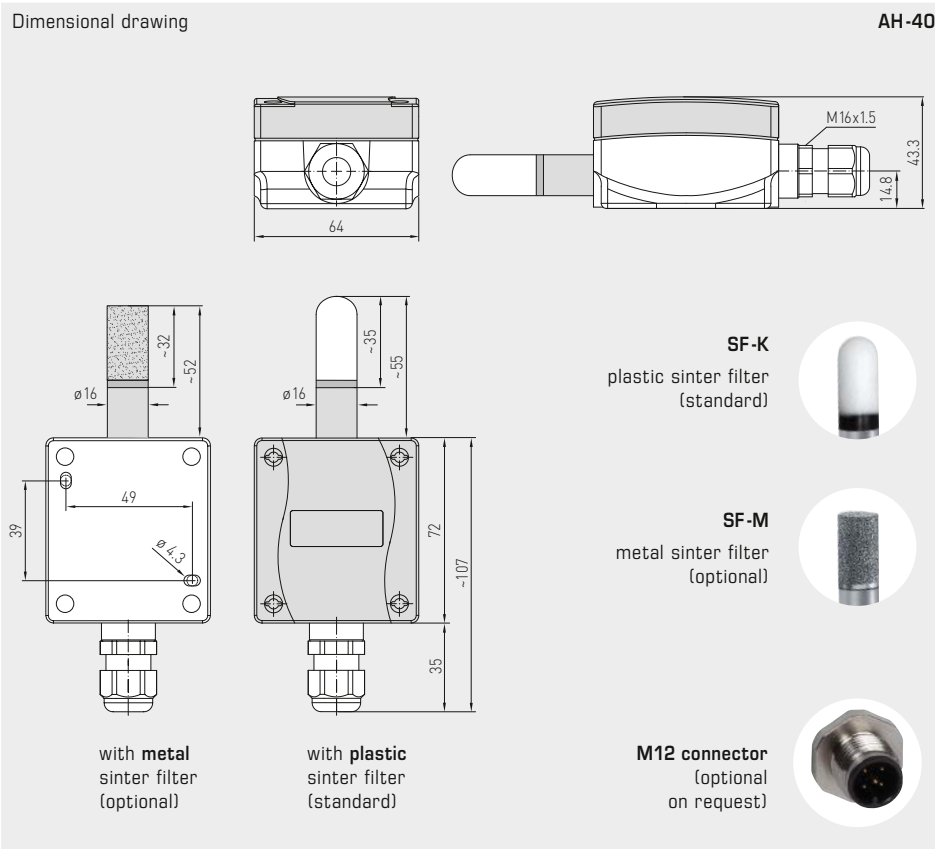




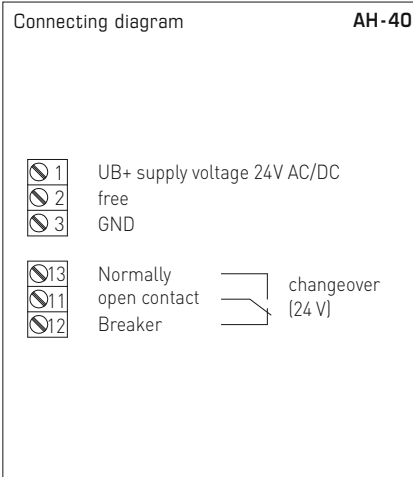
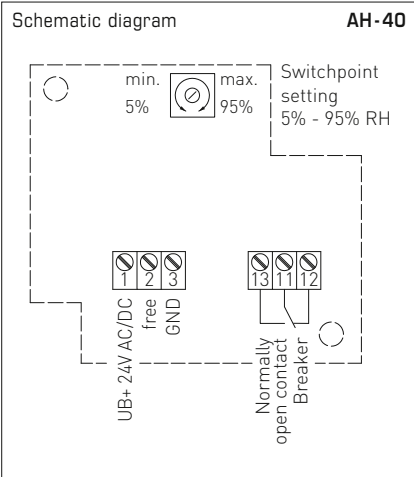
S+S REGELTECHNIK

HYGRASREG® AH-40

On-wall hygrometers and humidity sensors ($\pm 2.0\%$),
electronic, one-step,
with switching outputs



AH-40
with display and
plastic sinter filter
(standard)



HYGRASREG® AH-40 On-wall hygrometers and humidity sensors ($\pm 2.0\%$), Premium						
Type / WG01	Setting Range Humidity	Output	Steps	Display	Item No.	Price
AH-40-U						
AH-40W LCD	5...95% RH	1 x Changeover contact	one-step	■	1202-1065-0221-000	186,85 €
Optional:	Cable connection with M12 connector according to DIN EN 61076-2-101				on request	

ACCESSORIES			
SF-M	Metal sinter filter, \varnothing 16 mm, L = 32 mm, exchangeable stainless steel V4A (1.4404)	7000-0050-2200-100	43,60 €

**On-wall hygrometers and
humidity and temperature sensors ($\pm 2.0\%$),
electronic, two-step, with multi-range switching
and continuous/switching output**

Electronic on-wall thermostat and/or on-wall thermostat **HYGRASREG® AHT-30** with a continuous and two switching outputs, adjustable switching thresholds and display for indicating ACTUAL humidity and/or ACTUAL temperature (accuracy class $\pm 2.0\%$ RH). The setpoints can be allocated to the relative humidity and/or to the temperature.

It is suitable for regulating and monitoring relative humidity (humidifying and dehumidifying) and/or the temperature (heating and cooling), e.g. in laboratories, production facilities, climatic test cabinets, indoor swimming pools, greenhouses, etc., to control humidifying and dehumidifying equipment or heating system control. The measuring transducers are designed for exact humidity/temperature measurement. The AHT-30 uses a digital, long-term stable sensor as a measuring element. It is used in dust-free, unpolluted, non-aggressive air.

TECHNICAL DATA

Power supply:	24 V AC / DC ($\pm 20\%$)
Power consumption:	< 1,5 VA / 24 V DC, < 3,5 VA / 24 V AC
Sensor:	digital humidity sensor with integrated temperature sensor , low hysteresis, high long-term stability
Sensor protection:	plastic sinter filter , \varnothing 16 mm, L = 35 mm, exchangeable (optional metal sinter filter , \varnothing 16 mm, L = 32 mm)
Setting range:	5...95% RH (humidity) Multi-range switching with 4 switchable measuring ranges (see table) -35...+35 °C; -35...+75 °C; 0...+50 °C; 0...+80 °C (temperature) (Switch steps 1 and 2 are separately adjustable)
Operating difference:	Mode 1: both switch steps are freely adjustable (rel. humidity) Mode 2: 5% between both switch steps (rel. humidity) Mode 3: both switch steps freely adjustable (temperature) Mode 4: switch step 1 (temperature), switch step 2 (rel. humidity) (adjustable via DIP switches)
Output:	potential-free changeover contacts (2 x changeover contact 24 V, 1 A ohmic load, separately adjustable, 2x 0 - 10 V for U variant or 4...20 mA for I variant)
Deviation, humidity:	typically $\pm 2.0\%$ (20...80% RH) at +25 °C, otherwise $\pm 3.0\%$
Deviation, temperature:	typically ± 0.4 K at +25 °C
Ambient temperature:	storage -35...+85 °C; operation -30...+75 °C, non-precipitating
Long-term stability:	$\pm 1\%$ per year
Housing:	plastic, UV-resistant, material polyamide, 30% glass-globe reinforced, with quick-locking screws (slotted / Phillips head combination), colour traffic white (similar to RAL 9016), housing cover for display is transparent!
Housing dimensions:	126 x 90 x 50 mm (Tyr 2)
Cable connection:	cable gland , plastic (M 16 x 1.5; with strain relief, exchangeable, max. inner diameter 10.4 mm) or M12 connector according to DIN EN 61076-2-101 (optional on request)
Protective tube:	stainless steel V2A (1.4301), \varnothing 16 mm, NL = 55 mm (see dimensional drawing)
Protection class:	III (according to EN 60 730)
Protection type:	IP 65 (according to EN 60 529)
Electrical connection:	0.14 - 1.5 mm ² , via terminal screws
Standards:	CE conformity, EMC directive 2014 / 30 / EU
Display:	three-line display with illumination , cutout approx. 70 x 40 mm (W x H), for displaying ACTUAL humidity and/or ACTUAL temperature or for setpoint adjustment

FUNCTION

Humidifying/heating:	1st step: wire contacts 11 - 12. If actual humidity falls more than 3% RH / 1 K (hysteresis) below switching threshold S1, the changeover contact switches to 11 - 12. 2nd step: wire contacts 21 - 22. If actual humidity falls more than 3% RH / 1 K (hysteresis) below switching threshold S2, the changeover contact switches to 21 - 22. Terminal 2: output relative humidity / terminal 3: output temperature
Dehumidifying/cooling:	1st step: wire contacts 11 - 13. When actual humidity exceeds switching threshold S1, the changeover contact switches to 11 - 13. 2nd step: wire contacts 21 - 23. When actual humidity exceeds switching threshold S2, the changeover contact switches to 21 - 23. Terminal 2: output relative humidity / terminal 3: output temperature

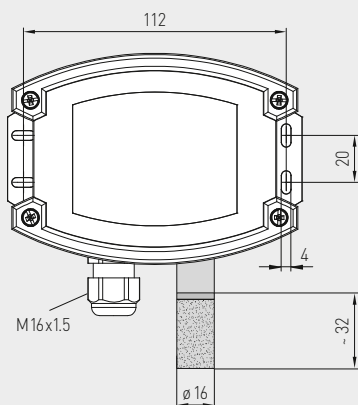
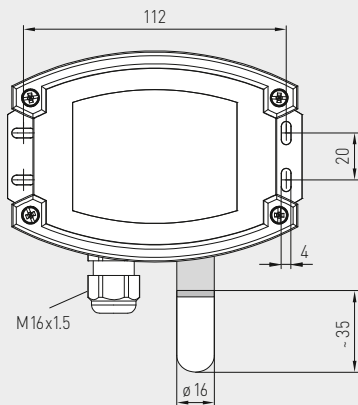
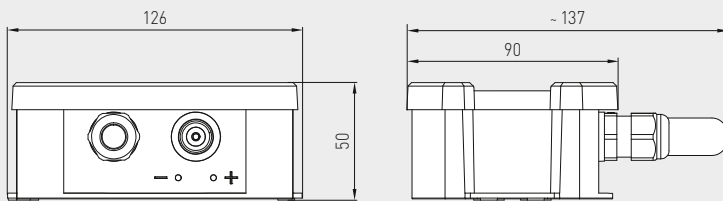


On-wall hygrometers and humidity and temperature sensors ($\pm 2.0\%$), electronic, two-step, with multi-range switching and continuous/switching output



Dimensional drawing

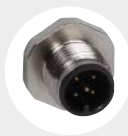
AHT-30



SF-K plastic sinter filter (standard)



SF-M metal sinter filter (optional)



M12 connector (optional on request)

AHT-30 with display and plastic sinter filter (standard)



AHT-30 with display and metal sinter filter (optional)



WS-03

Weather and sun protection hood (optional)



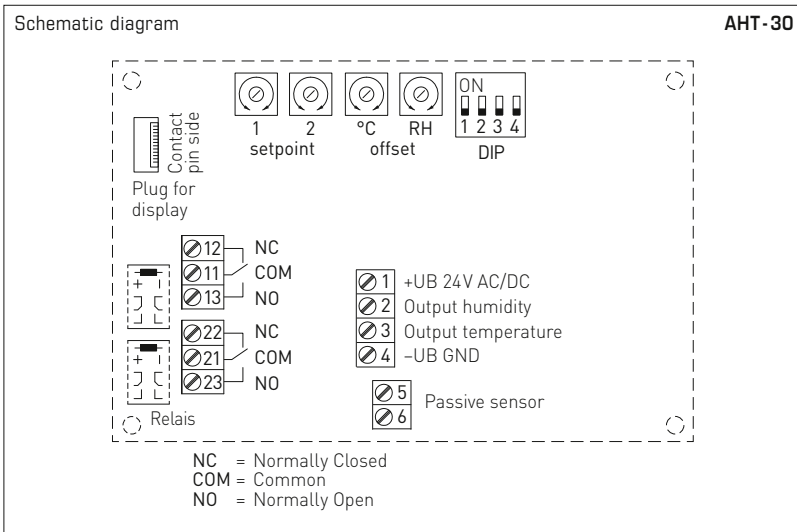
Display readout

The 1st line of the display shows the ACTUAL humidity in % RH and the ACTUAL temperature in °C. The displays showing the ACTUAL values alternate in a 3-second rhythm. The resolution is 1/10 % RH or 1/10 °C.

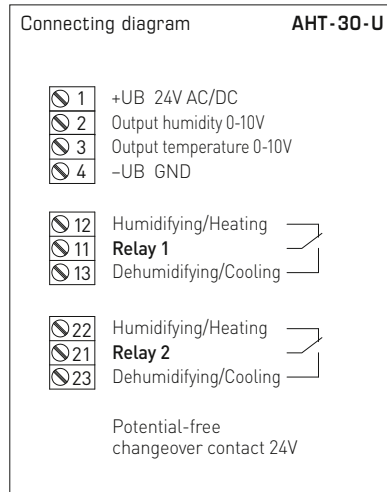
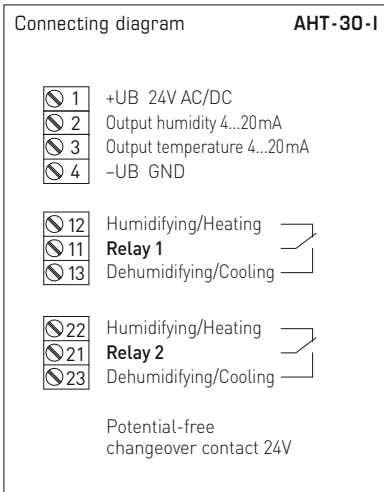
The 3rd line shows information about the switching status of relay 1 and 2 (as circuits) on the left, and on the right for the switching values of relay 1 and 2 in % RH or °C (adjustable via the corresponding set potentiometer). The reference to respective measured value (relative humidity or temperature) is determined by the mode selected.

For improved legibility, backlighting is provided.

On-wall hygrometers and humidity and temperature sensors ($\pm 2.0\%$), electronic, two-step, with multi-range switching and continuous/switching output



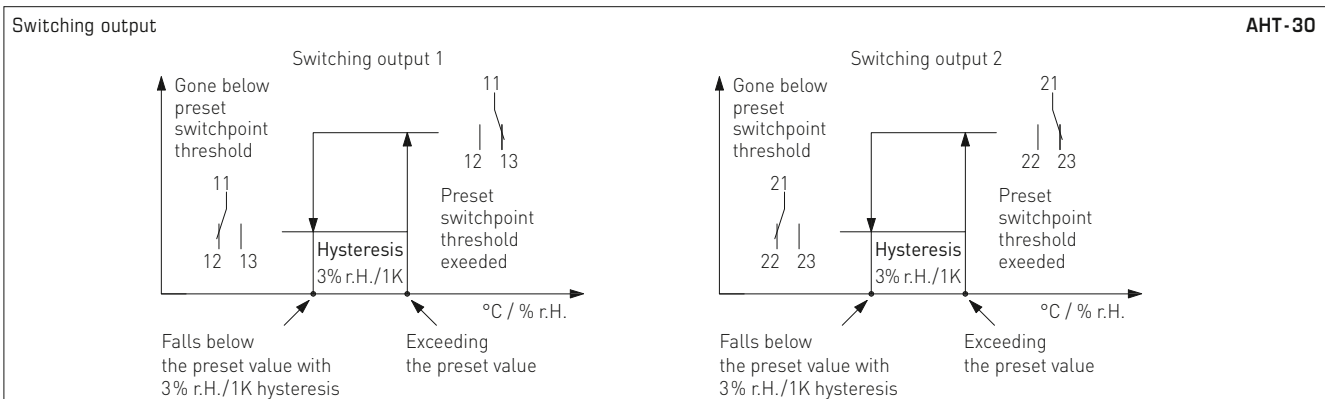
DIP switches	AHT-30	
Function mode	DIP 1	DIP 2
Mode 1 (2x 5...95% RH) (default)	OFF	OFF
Mode 2 (5...95% RH + 5% RH)	ON	OFF
Mode 3 (2x -35...+80 °C)	OFF	ON
Mode 4 (5...95% RH / -35...+80 °C)	ON	ON
Temperature range	DIP 3	DIP 4
-35...+35 °C	OFF	OFF
0...+80 °C	ON	OFF
0...+50 °C (default)	OFF	ON
-35...+75 °C	ON	ON



Supply	AC	DC
→ 1	24 V~	24 V DC
→ 4	0V	GND

12 (A1) →	Relay 1 Breaker contact
11 (W1) →	Relay 1 Changeover contact
13 (B1) →	Relay 1 Normally open contact

22 (A2) →	Relay 2 Breaker contact
21 (W2) →	Relay 2 Changeover contact
23 (B2) →	Relay 2 Normally open contact



Mode 1: Independent switchpoints for both relay outputs can be defined in the range of 5...95% RH by the control knobs (setpoint 1 for relay 1, setpoint 2 for relay 2, see schematic diagram). When the respective switchpoint is exceeded, the corresponding relay switches over (changeover contact 1 switches from position 2 to position 3). When the pre-set switchpoint is undershot again by more than 3% RH (hysteresis), the respective switching output switches back to the initial position (changeover contact 1 switches from position 3 to position 2).

Mode 2: In Mode 2, only control knob setpoint 1 is active (setpoint 2 without function)! The switchpoint for the first relay is defined in the range of 5...95% RH by the control knob setpoint 1 (see schematic diagram). The switchpoint for the second relay output is invariably defined in mode 2 as "Switchpoint 1 + 5% RH". Hysteresis of 3% RH is also predefined for each switching output in mode 2.

Mode 3: Independent switchpoints within the temperature range (selectable via DIP switches) for both relay outputs can be defined by the control knobs (setpoint 1 for relay 1, setpoint 2 for relay 2). If the respective switchpoint is exceeded, the corresponding relay switches over. If the pre-set threshold value is undershot again by 1 K (hysteresis), the respective switching output switches back to the initial position. The thresholds of the setting range (temperature) are 5 °C above the minimum or below the maximum range value respectively.

Mode 4: In mode 4, the control knob is allocated to setpoint 1 of the temperature, while control knob is allocated to setpoint 2 of the relative humidity. The switchpoints can be set within the temperature range (selectable via DIP switches) or from 5...95% RH (humidity). The thresholds of the setting range (temperature) are 5 °C above the minimum or below the maximum range value respectively.



AHT-30 with display



Temperature table
MR: -35...+75 °C

°C	U _A [V]	I _A [mA]
-35	0.0	4.0
-30	0.5	4.7
-25	0.9	5.5
-20	1.4	6.2
-15	1.8	6.9
-10	2.3	7.6
-5	2.7	8.4
0	3.2	9.1
5	3.6	9.8
10	4.1	10.5
15	4.5	11.3
20	5.0	12.0
25	5.5	12.7
30	5.9	13.5
35	6.4	14.2
40	6.8	14.9
45	7.3	15.6
50	7.7	16.4
55	8.2	17.1
60	8.6	17.8
65	9.1	18.5
70	9.5	19.2
75	10.0	20.0

Temperature table
MR: -35...+35 °C

°C	U _A [V]	I _A [mA]
-35	0.0	4.0
-30	0.7	5.1
-25	1.4	6.3
-20	2.1	7.4
-15	2.9	8.6
-10	3.6	9.7
-5	4.3	10.9
0	5.0	12.0
5	5.7	13.1
10	6.4	14.3
15	7.1	15.4
20	7.9	16.6
25	8.6	17.7
30	9.3	18.9
35	10.0	20.0

Temperature table
MR: 0...+50 °C

°C	U _A [V]	I _A [mA]
0	0.0	4.0
5	1.0	5.6
10	2.0	7.2
15	3.0	8.8
20	4.0	10.4
25	5.0	12.0
30	6.0	13.6
35	7.0	15.2
40	8.0	16.8
45	9.0	18.4
50	10.0	20.0

Temperature table
MR: 0...+80 °C

°C	U _A [V]	I _A [mA]
0	0.0	4.0
5	0.6	5.0
10	1.3	6.0
15	1.9	7.0
20	2.5	8.0
25	3.1	9.0
30	3.8	10.0
35	4.4	11.0
40	5.0	12.0
45	5.6	13.0
50	6.3	14.0
55	6.9	15.0
60	7.5	16.0
65	8.1	17.0
70	8.8	18.0
75	9.4	19.0
80	10.0	20.0

Humidity table
MR: 0...100 % RH

% RH	U _A [V]	I _A [mA]
0	0.0	4.0
5	0.5	4.8
10	1.0	5.6
15	1.5	6.4
20	2.0	7.2
25	2.5	8.0
30	3.0	8.8
35	3.5	9.6
40	4.0	10.4
45	4.5	11.2
50	5.0	12.0
55	5.5	12.8
60	6.0	13.6
65	6.5	14.4
70	7.0	15.2
75	7.5	16.0
80	8.0	16.8
85	8.5	17.6
90	9.0	18.4
95	9.5	19.2
100	10.0	20.0

HYGRASREG® AHT-30 On-wall hygrometer and humidity and temperature sensor ($\pm 2.0\%$), *Deluxe*

Type / WG02	Setting Range Humidity Temperature	Output	Steps	Display	Item No.	Price
AHT-30-I I-variant						
AHT-30W-I LCD	5...95 % RH -35...+75 °C -35...+35 °C 0...+50 °C 0...+80 °C	2 x changeover contact, 2x 4...20 mA	two-step	■	1202-7127-2421-000	242,89 €
AHT-30-U U-variant						
AHT-30W-U LCD	5...95 % RH -35...+75 °C -35...+35 °C 0...+50 °C 0...+80 °C	2 x changeover contact, 2x 0-10 V	two-step	■	1202-7127-1421-000	242,89 €
Optional:	Cable connection with M12 connector according to DIN EN 61076-2-101				on request	
ACCESSORIES						
SF-M	Metal sinter filter, Ø 16 mm, L = 32 mm, exchangeable stainless steel V4A (1.4404)				7000-0050-2200-100	43,60 €
WS-03	Weather and sun protection hood, 200 x 180 x 150 mm, stainless steel V2A (1.4301)				7100-0040-6000-000	46,08 €

Duct hygrostats including mounting flange, mechanical, one-step, with switching output

Mechanical duct hygrostat **HYGRASREG® KH-10** with switching output as one-step hygrostat. It works without external voltage and is used for controlling and monitoring the relative humidity in ventilation and air conditioning ducts, laboratories, production facilities, climatic test cabinets, indoor swimming pools, greenhouses, etc. to control humidifying and dehumidifying equipment, as minimum guard, or maximum hygrostat. KH-10 is applied in dust-free, pollutant-free, non-aggressive air.

KH-10-U
(with internal setting)

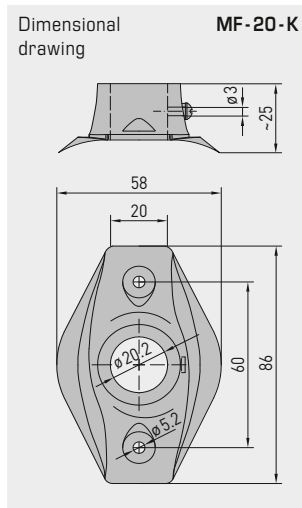
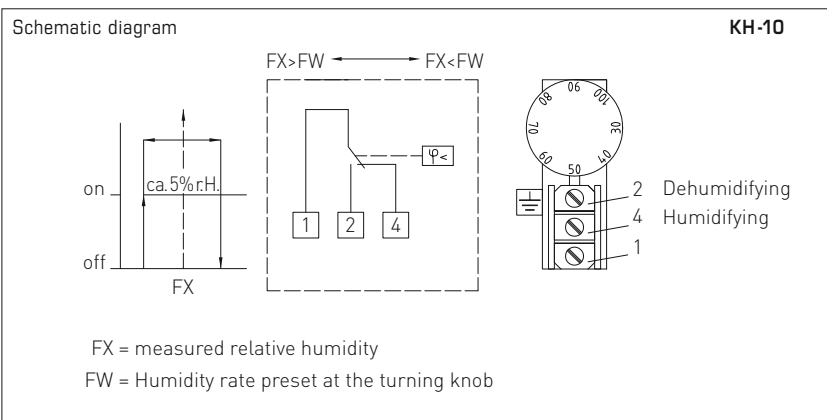


TECHNICAL DATA

Switching capacity: (Contact load)	15 (2) A; 24...250V AC, min. 100 mA > 24 V in dry rooms only according to VDE 0110
Setting range:	35...100% RH
Contact:	dust-proof microswitch as single-pole, potential-free changeover contact (gold-plated optional)
Housing:	plastic, UV-resistant, material polyamide, 30% glass-globe reinforced, colour traffic white (similar to RAL 9016)
Housing dimensions:	108 x 70 x 73.5 mm (Thor 2)
Cable connection:	cable gland , plastic (M20 x 1.5; with strain relief, exchangeable, inner diameter 8 - 13 mm)
Ambient temperature:	0...+60 °C
Operating difference:	approx. 3...6% RH
Measuring accuracy:	typically ± 4% RH
Controlled medium:	air, unpressurised, non-aggressive
Average temperature coefficient:	0.2% / K; at +20 °C and 50% RH
Flow rate:	max. 8 m/s
Sensor sleeve:	made of brass nickel-plated, Ø 20 mm, NL = 223 mm
Electrical connection:	0.14 - 1.5 mm², via terminal screws
Protection class:	I (according to EN 60 730)
Protection type:	IP 65 (according to EN 60 529)
Standards:	CE conformity, EMC directive 2014/30/EU, low-voltage directive 2014/35/EU

FUNCTION

Humidifying:	Wire contacts 1 - 4. Switch points ON/OFF are approx. 2.5% RH above or below the selected value.
Dehumidifying:	Wire contacts 1 - 2. Switch points ON/OFF are approx. 2.5% RH above or below the selected value.



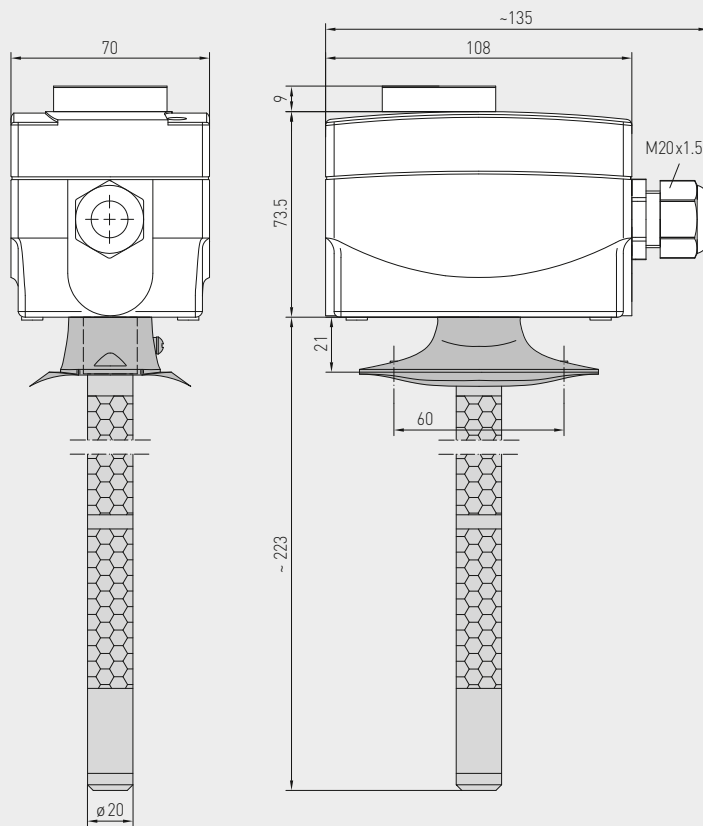


S+S REGELTECHNIK

Duct hygrometers including mounting flange, mechanical, one-step, with switching output



Dimensional drawing



KH-10

KH-10
(with external setting)



MF-20-K

Mounting flange, plastic



HYGRASREG® KH-10 Duct hygrometers, mechanical, <i>Standard</i>					
Type / WG01	Setting Range Humidity	Steps	Features	Item No.	Price
KH-10				External setting	
KH-10	35...100% RH	one-step	–	1202-3012-0010-000	236,24 €
KH-10-U				Internal setting	
KH-10 U	35...100% RH	one-step	Setpoint setter concealed	1202-3012-0020-000	233,74 €
ACCESSORIES					
MF-20-K	Mounting flange for KH, plastic, for duct installation (included in the scope of delivery)			7100-0030-4000-000	9,85 €
WH-20	Wall bracket for KH for on-wall mounting			1200-0010-4000-000	12,84 €

For further information see last chapter!

Duct hygrostats and humidity sensors ($\pm 2.0\%$), including mounting flange, electronic, one-step, with switching outputs

Electronic hygrometer and humidity sensor **HYGRASREG® KH-40** with one switching output, adjustable switching threshold and display for displaying ACTUAL humidity (accuracy class $\pm 2.0\%$ RH) and for setting the target humidity. It is suitable for controlling and monitoring the relative air humidity, e.g. in ventilation and air conditioning ducts, laboratories, production rooms, climatic exposure test cabinets, swimming pools, greenhouses etc., for controlling humidifying and dehumidifying facilities. The measuring transducers are designed for exact detection of humidity. The KH-40 uses a digital, long-term stable sensor as a measuring element for measuring humidity. It is used in dust-free, unpolluted, non-aggressive air.

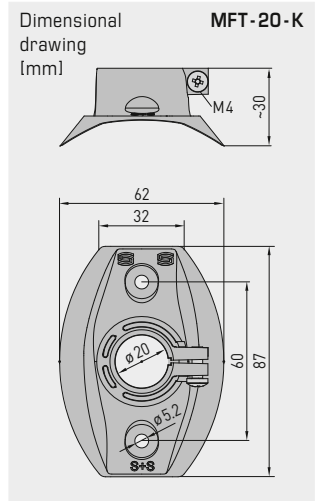
SF-K
Plastic sinter filter (standard)



SF-M
Metal sinter filter (optional)



MFT-20-K
Mounting flange, plastic



TECHNICAL DATA

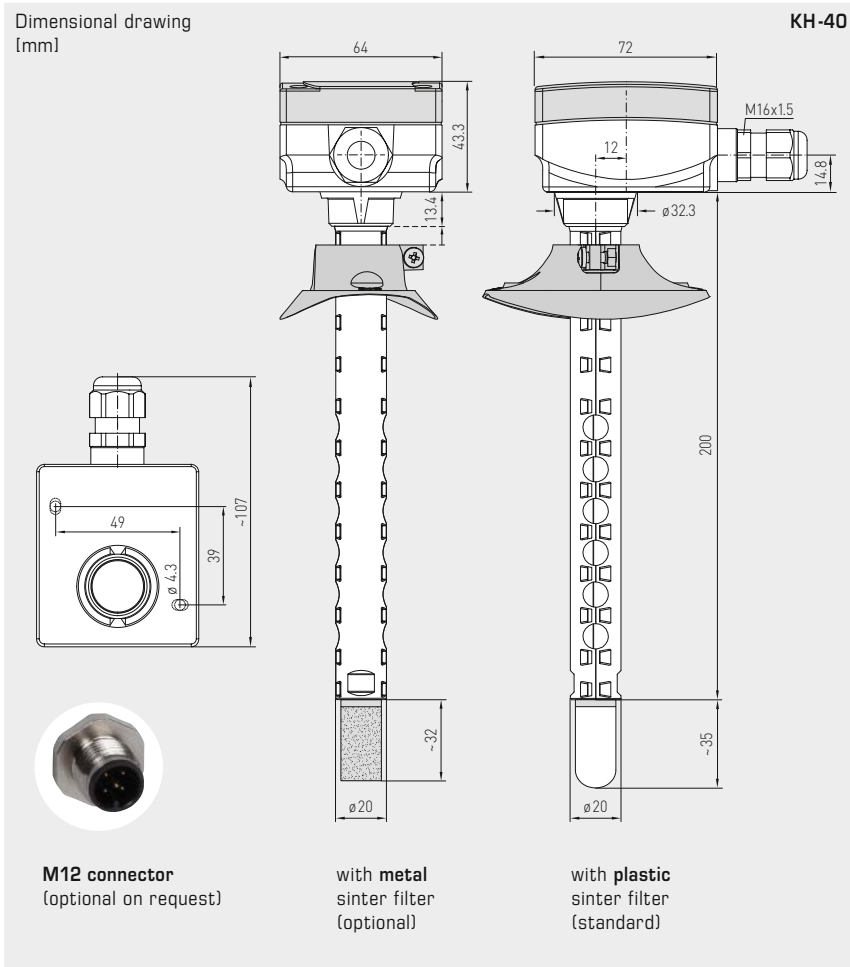
Power supply:	24 V AC ($\pm 20\%$) and 15...36 V DC
Power consumption:	< 1.1 VA / 24 V DC; < 2.2 VA / 24 V AC
Sensors:	digital humidity sensor , small hysteresis, high long-term stability
Sensor protection:	plastic sinter filter , \varnothing 16 mm, L = 35 mm, exchangeable (optional metal sinter filter , \varnothing 16 mm, L = 32 mm)
Setting range:	5...95 % RH
Output:	potential-free changeover contact (24 V), 1 A ohmic load
Deviation, humidity:	typically $\pm 2.0\%$ (20...80 % RH) at +25 °C, otherwise $\pm 3.0\%$
Ambient temperature:	storage -35...+85 °C; operation -30...+75 °C, non-precipitating
Long-term stability:	$\pm 1\%$ per year
Housing:	plastic, UV-resistant, material polyamide, 30 % glass-globe reinforced, with quick-locking screws (slotted / Phillips head combination), colour traffic white (similar to RAL 9016), housing cover for display is transparent!
Housing dimensions:	72 x 64 x 43.3 mm (Tyr 1 with display)
Cable connection:	cable gland , plastic (M 16 x 1.5; with strain relief, exchangeable, max. inner diameter 10.4 mm) or M12 connector according to DIN EN 61076-2-101 (on request)
Protective tube:	PLEUROFORM™ , material polyamide (PA6), with torsion protection, \varnothing 20 mm, NL = 235 mm (optionally 100 mm), $v_{max} = 30$ m/s (air) (on request, optional stainless steel V2A (1.4301), \varnothing 16 mm)
Process connection:	by mounting flange, plastic (included in the scope of delivery)
Electrical connection:	0.14 - 1.5 mm ² , via terminal screws
Protection class:	III (according to EN 60 730)
Protection type:	IP65 (according to EN 60 529) in the built-in state Housing tested, TÜV SÜD, Report No. 713139052 (Tyr 1)
Standards:	CE conformity, electromagnetic compatibility according to EN 61 326, EMC directive 2014 / 30 / EU
Display:	two-line display with illumination , cutout approx. 36 x 15 mm (W x H), for displaying actual humidit and for setting the target humidity
Displaying:	The 1st line of the display shows the relative humidity . The 2nd line shows on the left side the information regarding the switching status of the relay (as a circuit), as well as the switching value readout in % RH on the right side (adjustable using the set potentiometer). <ul style="list-style-type: none"> ○ Circuit, empty = relay in idle state ● Circuit, full = relay energised
FUNCTION	actual humidity < switching value contact 11-12 closed (LED OFF) actual humidity > switching value contact 11-13 closed (LED ON)



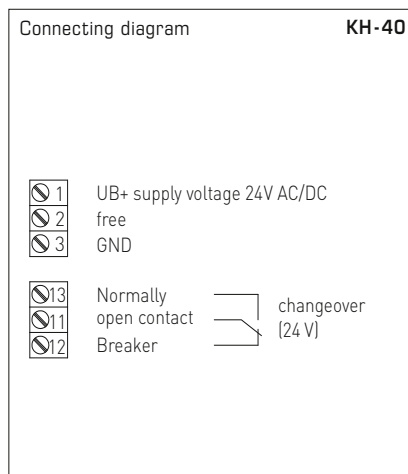
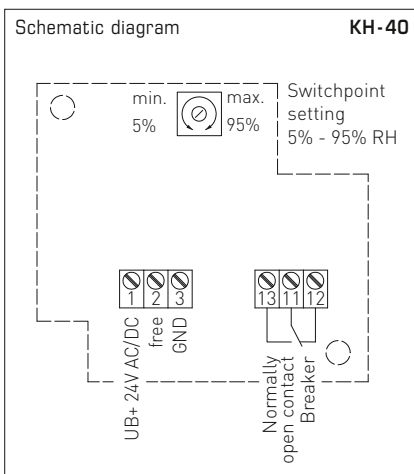
S+S REGELTECHNIK

HYGRASREG® KH-40

Duct hygrostats and humidity sensors ($\pm 2.0\%$), including mounting flange, electronic, one-step, with switching outputs



KH-40 with display and plastic sinter filter (standard)



HYGRASREG® KH-40		Duct hygrostats and humidity sensors ($\pm 2.0\%$), Premium				
Type/WG01	Setting Range Humidity	Output	Steps	Display	Item No.	Price
KH-40						
KH-40W LCD	5...95% RH	1 x changeover contact	one-step	■	1202-3065-0221-000	188,09 €
Optional:	Cable connection with M12 connector according to DIN EN 61076-2-101 shortened protective tube PLEUROFORM™ , NL = 100 mm				on request	on request

ACCESSORIES						
SF-M	Metal sinter filter , \varnothing 16 mm, L = 32 mm, exchangeable, stainless steel V4A (1.4404)				7000-0050-2200-100	43,60 €

Duct hygrostats and humidity and temperature sensors ($\pm 2.0\%$), incl. mounting flange, electronic, two-step, with multi-range switching and continuous/switching output

Electronic duct hygrostat and/or duct thermostat **HYGRASREG® KHT-30** with a continuous and two switching outputs, adjustable switching thresholds and display for indicating ACTUAL humidity and/or ACTUAL temperature (accuracy class $\pm 2.0\%$ RH). The setpoints can be allocated to the relative humidity and/or to the temperature.

It is suitable for regulating and monitoring relative humidity (humidifying and dehumidifying) and/or the temperature (heating and cooling), e.g. in ventilation and air conditioning ducts, laboratories, production facilities, climatic test cabinets, indoor swimming pools, greenhouses, etc., to control humidifying and dehumidifying equipment or heating system control. The measuring transducers are designed for exact humidity/temperature measurement. The KHT-30 uses a digital, long-term stable sensor as a measuring element. It is used in dust-free, unpolluted, non-aggressive air.

TECHNICAL DATA

Power supply:	24 V AC / DC ($\pm 20\%$)
Power consumption:	< 1,5 VA / 24 V DC, < 3,5 VA / 24 V AC
Sensor:	digital humidity sensor with integrated temperature sensor , low hysteresis, high long-term stability
Sensor protection:	plastic sinter filter , \varnothing 16 mm, L = 35 mm, exchangeable (optional metal sinter filter , \varnothing 16 mm, L = 32 mm)
Setting range:	5...95% RH (humidity) Multi-range switching with 4 switchable measuring ranges (see table) -35...+35 °C; -35...+75 °C; 0...+50 °C; 0...+80 °C (temperature) (Switch steps 1 and 2 are separately adjustable)
Operating difference:	Mode 1: both switch steps are freely adjustable (rel. humidity) Mode 2: 5% between both switch steps (rel. humidity) Mode 3: both switch steps freely adjustable (temperature) Mode 4: switch step 1 (temperature), switch step 2 (rel. humidity) (adjustable via DIP switches)
Output:	potential-free changeover contacts (2x changeover contact 24 V, 1A ohmic load, separately adjustable, 2x 0-10V for U variant or 4...20mA for I variant)
Deviation, humidity:	typically $\pm 2.0\%$ (20...80% RH) at +25 °C, otherwise $\pm 3.0\%$
Deviation, temperature:	typically ± 0.2 K at +25 °C
Ambient temperature:	storage -35...+85 °C; operation -30...+75 °C, non-precipitating
Long-term stability:	$\pm 1\%$ per year
Housing:	plastic, UV-resistant, material polyamide, 30% glass-globe reinforced, with quick-locking screws (slotted/Phillips head combination), colour traffic white (similar to RAL 9016), housing cover for display is transparent!
Housing dimensions:	126 x 90 x 50 mm (Tyr 2)
Cable connection:	cable gland , plastic (M 16 x 1.5; with strain relief, exchangeable, max. inner diameter 10.4 mm) or M12 connector according to DIN EN 61076-2-101 (optional on request)
Protective tube:	PLEUROFORM™ , material polyamide (PA6), with torsion protection, \varnothing 20 mm, NL = 235 mm (optionally 100 mm), $v_{max} = 30$ m/s (air) (optional available on request stainless steel V2A (1.4301), \varnothing 16 mm)
Protection class:	III (according to EN 60 730)
Protection type:	IP 65 (according to EN 60 529)
Electrical connection:	0.14 - 1.5 mm ² , via terminal screws
Standards:	CE conformity, EMC directive 2014 / 30 / EU
Display:	three-line display with illumination , cutout approx. 70 x 40 mm (W x H), for displaying ACTUAL humidity and/or ACTUAL temperature or for setpoint adjustment

FUNCTION

Humidifying/heating:	1st step: wire contacts 11 - 12. If actual humidity falls more than 3% RH / 1 K (hysteresis) below switching threshold S1, the changeover contact switches to 11 - 12. 2nd step: wire contacts 21 - 22. If actual humidity falls more than 3% RH / 1 K (hysteresis) below switching threshold S2, the changeover contact switches to 21 - 22. Terminal 2: output relative humidity / terminal 3: output temperature
Dehumidifying/cooling:	1st step: wire contacts 11 - 13. When actual humidity exceeds switching threshold S1, the changeover contact switches to 11 - 13. 2nd step: wire contacts 21 - 23. When actual humidity exceeds switching threshold S2, the changeover contact switches to 21 - 23. Terminal 2: output relative humidity / terminal 3: output temperature



Duct hygrometers and humidity and temperature sensors ($\pm 2.0\%$), incl. mounting flange, electronic, two-step, with multi-range switching and continuous/switching output



Dimensional drawing (mm) KHT-30

SF-K
plastic sinter filter (standard)

SF-M
metal sinter filter (optional)

M12 connector
(optional on request)

KHT-30
with display and plastic sinter filter (standard)



KHT-30
with display and metal sinter filter (optional)



Dimensional drawing (mm) MFT-20-K



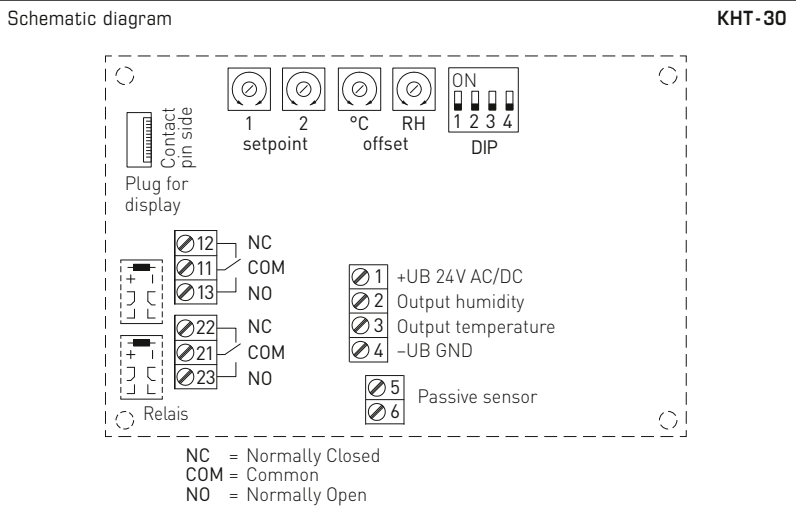
Display readout

The **1st line** of the display shows the **ACTUAL humidity** in % RH and the **ACTUAL temperature** in °C. The displays showing the ACTUAL values alternate in a 3-second rhythm. The resolution is 1/10 % RH or 1/10 °C.

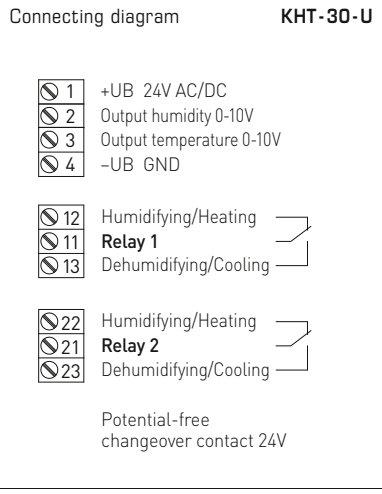
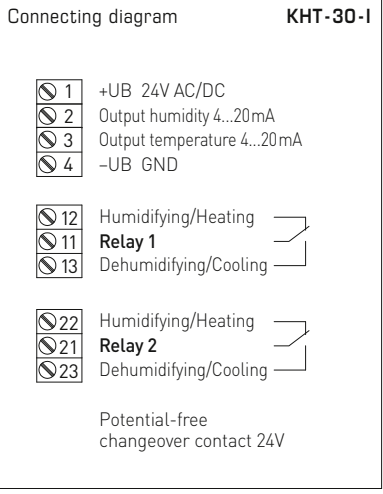
The **3rd line** shows information about the **switching status of relay 1 and 2** (as circuits) on the left, and on the right for the **switching values of relay 1 and 2** in % RH or °C (adjustable via the corresponding set potentiometer). The reference to respective measured value (relative humidity or temperature) is determined by the mode selected.

For improved legibility, backlighting is provided.

Duct hygromats and humidity and temperature sensors ($\pm 2.0\%$), incl. mounting flange, electronic, two-step, with multi-range switching and continuous/switching output



DIP switches		KHT-30	
Function mode	DIP 1	DIP 2	
Mode 1 (2x 5...95% RH) (default)	OFF	OFF	
Mode 2 (5...95% RH + 5% RH)	ON	OFF	
Mode 3 (2x -35...+80 °C)	OFF	ON	
Mode 4 (5...95% RH / -35...+80 °C)	ON	ON	
Temperature range	DIP 3	DIP 4	
-35...+35 °C	OFF	OFF	
0...+80 °C	ON	OFF	
0...+50 °C (default)	OFF	ON	
-35...+75 °C	ON	ON	



Supply	AC	DC
→ 1	24 V~	24 V DC
→ 4	0V	GND

12 (A1) →	Relay 1 Breaker contact
11 (W1) →	Relay 1 Changeover contact
13 (B1) →	Relay 1 Normally open contact
22 (A2) →	Relay 2 Breaker contact
21 (W2) →	Relay 2 Changeover contact
23 (B2) →	Relay 2 Normally open contact

Switching output KHT-30

Mode 1: Independent switchpoints for both relay outputs can be defined in the range of 5...95% RH by the control knobs (setpoint1 for relay1, setpoint2 for relay2, see schematic diagram). When the respective switchpoint is exceeded, the corresponding relay switches over (changeover contact 1 switches from position 2 to position 3). When the pre-set switchpoint is undershot again by more than 3% RH (hysteresis), the respective switching output switches back to the initial position (changeover contact 1 switches from position 3 to position 2).

Mode 2: In Mode 2, only control knob setpoint1 is active (setpoint2 without function)! The switchpoint for the first relay is defined in the range of 5...95% RH by the control knob setpoint 1 (see schematic diagram). The switchpoint for the second relay output is invariably defined in mode 2 as "Switchpoint 1 + 5% RH". Hysteresis of 3% RH is also predefined for each switching output in mode 2.

Mode 3: Independent switchpoints within the temperature range (selectable via DIP switches) for both relay outputs can be defined by the control knobs (setpoint 1 for relay 1, setpoint 2 for relay 2). If the respective switchpoint is exceeded, the corresponding relay switches over. If the pre-set threshold value is undershot again by 1 K (hysteresis), the respective switching output switches back to the initial position. The thresholds of the setting range (temperature) are 5°C above the minimum or below the maximum range value respectively.

Mode 4: In mode 4, the control knob is allocated to setpoint 1 of the temperature, while control knob is allocated to setpoint 2 of the relative humidity. The switchpoints can be set within the temperature range (selectable via DIP switches) or from 5...95% RH (humidity). The thresholds of the setting range (temperature) are 5°C above the minimum or below the maximum range value respectively.



Duct hygromats and humidity and temperature sensors ($\pm 2.0\%$), incl. mounting flange, electronic, two-step, with multi-range switching and continuous/switching output



KHT-30 with display

Temperature table
MR: -35...+75 °C

°C	U _A [V]	I _A [mA]
-35	0.0	4.0
-30	0.5	4.7
-25	0.9	5.5
-20	1.4	6.2
-15	1.8	6.9
-10	2.3	7.6
-5	2.7	8.4
0	3.2	9.1
5	3.6	9.8
10	4.1	10.5
15	4.5	11.3
20	5.0	12.0
25	5.5	12.7
30	5.9	13.5
35	6.4	14.2
40	6.8	14.9
45	7.3	15.6
50	7.7	16.4
55	8.2	17.1
60	8.6	17.8
65	9.1	18.5
70	9.5	19.2
75	10.0	20.0

Temperature table
MR: -35...+35 °C

°C	U _A [V]	I _A [mA]
-35	0.0	4.0
-30	0.7	5.1
-25	1.4	6.3
-20	2.1	7.4
-15	2.9	8.6
-10	3.6	9.7
-5	4.3	10.9
0	5.0	12.0
5	5.7	13.1
10	6.4	14.3
15	7.1	15.4
20	7.9	16.6
25	8.6	17.7
30	9.3	18.9
35	10.0	20.0

Temperature table
MR: 0...+50 °C

°C	U _A [V]	I _A [mA]
0	0.0	4.0
5	1.0	5.6
10	2.0	7.2
15	3.0	8.8
20	4.0	10.4
25	5.0	12.0
30	6.0	13.6
35	7.0	15.2
40	8.0	16.8
45	9.0	18.4
50	10.0	20.0

Temperature table
MR: 0...+80 °C

°C	U _A [V]	I _A [mA]
0	0.0	4.0
5	0.6	5.0
10	1.3	6.0
15	1.9	7.0
20	2.5	8.0
25	3.1	9.0
30	3.8	10.0
35	4.4	11.0
40	5.0	12.0
45	5.6	13.0
50	6.3	14.0
55	6.9	15.0
60	7.5	16.0
65	8.1	17.0
70	8.8	18.0
75	9.4	19.0
80	10.0	20.0

Humidity table
MR: 0...100% RH

% RH	U _A [V]	I _A [mA]
0	0.0	4.0
5	0.5	4.8
10	1.0	5.6
15	1.5	6.4
20	2.0	7.2
25	2.5	8.0
30	3.0	8.8
35	3.5	9.6
40	4.0	10.4
45	4.5	11.2
50	5.0	12.0
55	5.5	12.8
60	6.0	13.6
65	6.5	14.4
70	7.0	15.2
75	7.5	16.0
80	8.0	16.8
85	8.5	17.6
90	9.0	18.4
95	9.5	19.2
100	10.0	20.0

HYGRASREG® KHT - 30 Duct hygromat and humidity and temperature sensor ($\pm 2.0\%$), <i>Deluxe</i>						
Type / WG02	Setting Range	Output	Steps	Display	Item No.	Price
	Humidity	Temperature				
KHT-30-I I-variant						
KHT-30W-I LCD	5...95% RH	-35...+75 °C -35...+35 °C 0...+50 °C 0...+80 °C	2 x changeover contact, 2x 4...20 mA	two-step	■ 1202-8127-2421-000	242,89 €
KHT-30-U U-variant						
KHT-30W-U LCD	5...95% RH	-35...+75 °C -35...+35 °C 0...+50 °C 0...+80 °C	2 x changeover contact, 2x 0-10 V	two-step	■ 1202-8127-1421-000	242,89 €
Optional:	Cable connection with M12 connector according to DIN EN 61076-2-101 shortened protective tube PLEUROFORM™ , NL = 100 mm				on request on request	
ACCESSORIES						
SF-M	Metal sinter filter , Ø 16 mm, L = 32 mm, exchangeable, stainless steel V4A (1.4404)				7000-0050-2200-100	43,60 €

Condensation control switches
including strap / with detached sensor head,
with switching output

Patented quality product
(pro-dynamic cross convection patent no. DE 10 2012 015 726.6)

The condensation control switch **HYGRASREG® KW** with housing made from impact-resistant plastic with quick-locking screws or the cost-effective **HYGRASREG® KW-SD** with snap-on lid is installed on cooling ceilings, on cooling/cold-water piping or on cooled surfaces and is designed to prevent the formation of condensation.

It reliably detects formation of dew by means of its humidity and temperature sensor (no conductivity measurement) and, thanks to its measuring method, **pro-dynamic cross convection**, yields an exact measurement result (with LED status indicator).

Dew point temperature is that temperature at which air reaches the state of saturation and water vapour starts to condensate. The KW condensation control switch can be operated as a monitor on cooling ceilings or pipes so that the switching output is activated when dew builds up on the cooling ceilings of the property to be monitored and e.g. a heating system is started, or other actuators are initiated.

KW-SD
with snap-on lid
(IP 54)



TECHNICAL DATA

Power supply:	24 V AC (± 20%) and 15...36 V DC
Power consumption:	< 1.1 VA / 24 V DC; < 2.2 VA / 24 V AC
Switchpoint:	approx. 93% RH (permanently set)
Output:	potential-free changeover contact (24 V), 1 A ohmic load
Sensor protection:	membrane filter
Medium:	clean air and non-aggressive, non-combustible gases
Housing:	plastic, UV-resistant, material polyamide, 30% glass-globe reinforced, colour traffic white (similar to RAL 9016), housing cover is transparent! KW-xx with quick-locking screws (slotted / Phillips head combination), KW-xx-SD with snap-on lid,
Housing dimensions:	72 x 64 x 43.3 mm (Tyr 1 / Tyr 01)
Cable connection:	cable gland , plastic (M 16 x 1.5; with strain relief, exchangeable, inner diameter 10.4 mm) or M12 connector according to DIN EN 61076-2-101 (optional on request)
Electrical connection:	0.14 - 1.5 mm ² , via terminal screws
Process connection:	KW/KW-SD endless strap with metal tightener, 300 mm, for pipes up to 3" diameter (included in the scope of delivery) KW/KW-SD -external cable tie, 200 mm (included in the scope of delivery)
Mounting:	The mounting position should be selected so that no condensate can enter the sensor system in the event that condensation forms! KW/KW-SD with strap for direct mounting on pipes or for direct mounting on flat surfaces (e.g. walls, ceilings) KW-external / KW-SD-external with detached sensor head (cable length KL = 2 m) for mounting on pipes
Protection class:	III (according to EN 60 730)
Protection type:	KW-xx IP 65 (according to EN 60 529) Housing tested, TÜV SÜD, Report No. 713139052 (Tyr 1) KW-SD-xx IP 54 (according to EN 60 529) Housing tested, TÜV SÜD, Report No. 713160960A (Tyr 01)
Standards:	CE-conformity, electromagnetic compatibility according to EN 61 326, EMC Directive 2014 / 30 / EU

KW-SD-extern
with snap-on lid
(IP 54)



FUNCTION
The relay output is triggered (contact 13-11 closed)
if the **switchpoint [93% RH]** is not reached
and opens (contact 12-11 closed) in the event of a fault
(power failure, condensation).



LED short pulses =
relay active → switchpoint not reached
ACTUAL humidity < 93% RH (no condensation)



LED long pulses =
relay inactive → switchpoint exceeded
ACTUAL humidity > 93% RH (condensation)



Dimensional drawing KW
KW-SD

M12 connector
(optional on request)

KW
with quick-locking screws
(IP 65)



Dimensional drawing KW-external
KW-SD-external

M12 connector
(optional on request)

KW-extern
with quick-locking screws
(IP 65)

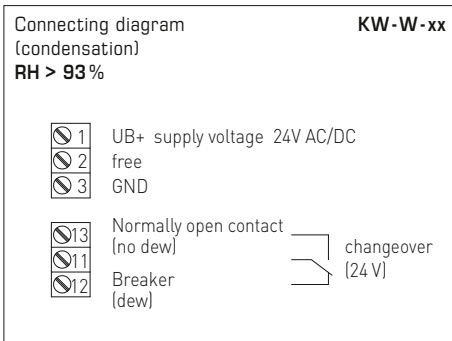
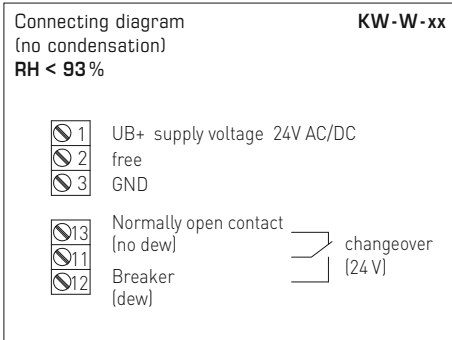
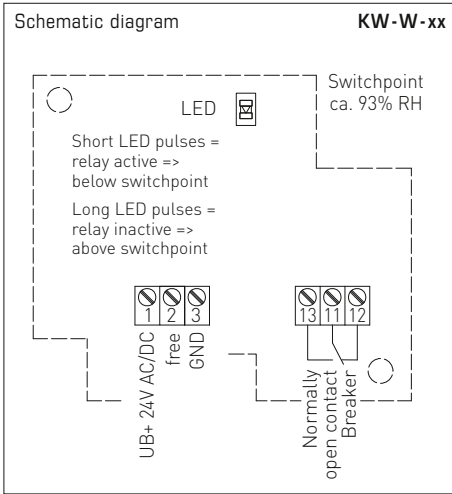


Condensation control switches
including strap / with detached sensor head,
with switching output

KW
pro-dynamic
cross convection



PATENTED



HYGRASREG® KW-SD Condensation control switches including strap, *Standard*
HYGRASREG® KW-SD-external Condensation control switches with detached sensor head, *Standard*

Type / WG01B	Switchpoint Humidity	Output Humidity	Mounting	Item No.	Price
KW-SD			Sensor internal	IP 54	
KW-W-SD	ca. 93% RH	Changeover contact	for direct mounting on pipes, for direct mounting on flat surfaces	1202-1075-0001-020	108,78 €
KW-SD-external			Sensor external	IP 54	
KW-W-SD extern	ca. 93% RH	Changeover contact	for mounting on pipes	1202-1075-0001-040	119,10 €
Optional:	Cable connection with M12 connector according to DIN EN 61076-2-101			on request	



S+S REGELTECHNIK

HYGRASREG® KW
HYGRASREG® KW-SD

Condensation control switches
including strap/with detached sensor head,
with switching output



KW
KW-external
with quick-locking screws
(IP 65)



KW-SD
KW-SD-external
with snap-on lid
(IP54)

HYGRASREG® KW		Condensation control switches including strap, <i>Premium</i>			
HYGRASREG® KW-external		Condensation control switches with detached sensor head, <i>Premium</i>			
Type/WG01	Switchpoint Humidity	Output Humidity	Mounting	Item No.	Price
KW			Sensor internal	IP 65	
KW-W	ca. 93% RH	Changeover contact	for direct mounting on pipes, for direct mounting on flat surfaces	1202-1025-0001-020	116,31 €
KW-external			Sensor external	IP 65	
KW-W-extern	ca. 93% RH	Changeover contact	for mounting on pipes	1202-1025-0001-040	141,26 €
Optional:	Cable connection with M12 connector according to DIN EN 61076-2-101			on request	

Dew point control switches
including strap / with detached sensor head,
with active / switching outputs

Patented quality product
(pro-dynamic cross convection patent no. DE 10 2012 015 726.6)

The dew point control switch **HYGRASREG® TW** is installed on cooling / cold-water piping or on cooled surfaces. It reliably detects formation of dew by means of its humidity and temperature sensor (no conductivity measurement) and, thanks to its patented measuring method, **pro-dynamic cross convection**, yields an exact measurement result (with LED status display), **with / without display**.

Dew point temperature is that temperature at which air reaches the state of saturation and water vapour starts to condensate. Facilitated by the continuous measuring range from 0...100% RH of the **TW-U** and the adjustable switchpoint for the **TW-W** of 75...100% RH, it is possible to operate cooling ceilings, for example, so that the switching output of the dew point control switch, the DDC, is activated and then triggers a heater or other control elements, thereby preventing the formation of dew on pipes or cooling ceilings or on the property to be monitored.

TW
with quick-locking screws



TW-extern
with quick-locking screws



TECHNICAL DATA

Power supply:	24 V AC (± 20%) and 15...36 V DC
Power consumption:	< 1.1 VA / 24 V DC; < 2.2 VA / 24 V AC
Measuring Range:	formation of dew is detected at 0...100% RH on the TW-U , continuous 75...100% RH on the TW-W , switching (switchpoint adjustable by potentiometer, factory setting 75% RH)
Output:	0-10 V or potential-free changeover contact (24 V), 1 A ohmic load
Sensors:	digital humidity sensor with integrated temperature sensor , small hysteresis, high long-term stability
Sensor protection:	membrane filter
Medium:	clean air and non-aggressive, non-combustible gases
Housing:	plastic, UV-resistant, material polyamide, 30% glass-globe reinforced, with quick-locking screws (slotted / Phillips head combination), colour traffic white (similar to RAL 9016), housing cover is transparent!
Housing dimensions:	72 x 64 x 43.3 mm (Tyr 1)
Cable connection:	cable gland , plastic (M 16 x 1.5; with strain relief, exchangeable, inner diameter 10.4 mm) or M12 connector according to DIN EN 61076-2-101 (optional on request)
Electrical connection:	0.14 - 1.5 mm ² , via terminal screws
Process connection:	TW endless strap with metal tightener, 300 mm, for pipes up to 3" diameter (included in the scope of delivery) TW - external cable tie, 200 mm (included in the scope of delivery)
Mounting:	TW with strap for direct mounting on pipes or for direct mounting on flat surfaces (e.g. walls, ceilings) TW - external with detached sensor head (cable length KL = 2 m) for mounting on pipes
Protection class:	III (according to EN 60 730)
Protection type:	IP65 (according to EN 60 529) Housing tested, TÜV SÜD, Report No. 713139052 (Tyr 1)
Standards:	CE conformity, electromagnetic compatibility according to EN 61 326, EMC directive 2014 / 30 / EU
Optional:	two-line display with illumination , cutout approx. 36 x 15 mm (W x H), for displaying actual humidity and the switching status of the relay

FUNCTION

The relay output is triggered (contact 13-11 closed) if the **pre-set switchpoint** (factory setting 75% RH) is not reached and opens (contact 12-11 closed) in the event of an error (power failure, condensation).



LED short pulses =
relay active → switchpoint not reached
ACTUAL humidity < **pre-set switchpoint** (no condensation)



LED long pulses =
relay inactive → switchpoint exceeded
ACTUAL humidity > **pre-set switchpoint** (condensation)



S+S REGELTECHNIK

HYGRASREG® TW

Dew point control switches including strap/with detached sensor head, with active/switching outputs



Dimensional drawing TW

M12 connector
(optional on request)

TW
with display
and quick-locking screws



Dimensional drawing TW-external

M12 connector
(optional on request)

TW-extern
with display
and quick-locking screws



Dew point control switches including strap / with detached sensor head, with active / switching outputs

TW pro-dynamic cross convection



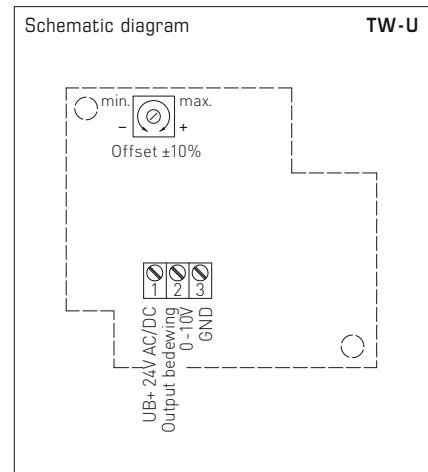
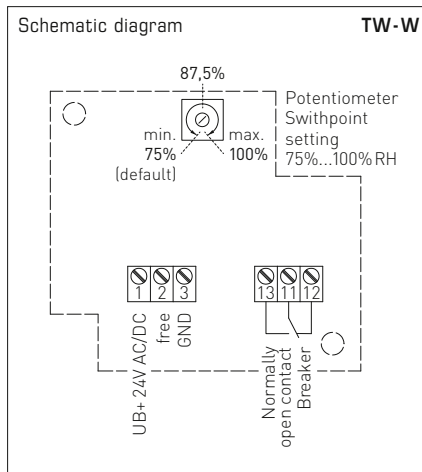
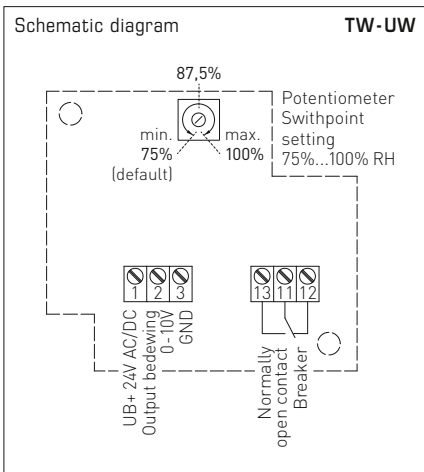
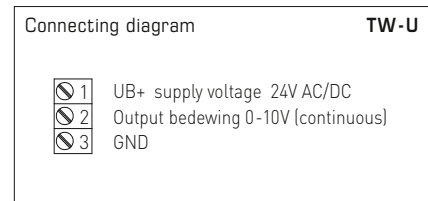
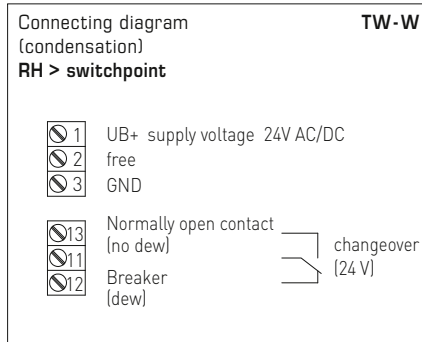
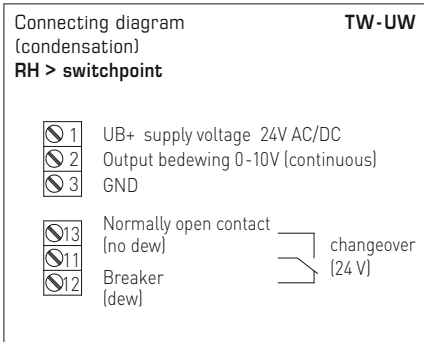
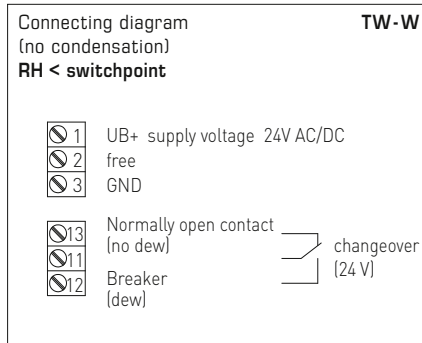
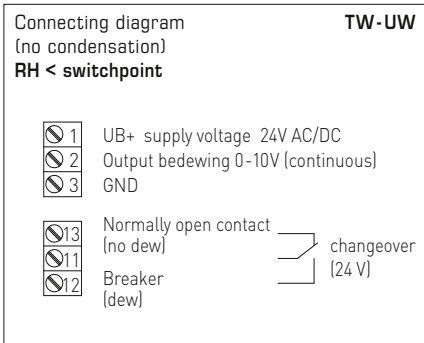
By default, the first line of the display shows the **relative humidity**.

The second line shows the information about the **switching status of the relay** (as a circuit) on the left, and the respective **switching value** in % RH on the right (switchpoint adjustable by potentiometer, factory setting 75 % RH).

- **Circuit, empty** = relay in idle state
- **Circuit, full** = relay energised



PATENTED





Dew point control switches including strap / with detached sensor head, with active / switching outputs

TW
with display



TW-external
with display



HYGRASREG® TW

Dew point control switches including strap (± 3%), *Deluxe*

HYGRASREG® TW-external

Dew point control switches with detached sensor head (± 3%), *Deluxe*

Type/ WG01	Measuring Range Humidity	Output Humidity	Mounting	Display	Item No.	Price
			Sensor internal	IP 65		
TW						
TW-W	75...100% RH	Changeover contact	for mounting directly on pipes		1202-1015-0001-000	130,80 €
TW-W LCD	75...100% RH	Changeover contact	for mounting directly on pipes	■	1202-1015-1201-020	182,11 €
TW-U	0...100% RH	0-10 V	for mounting directly on pipes		1201-1011-1001-020	135,77 €
TW-U/W	0...100% RH	0-10 V + Changeover contact	for mounting directly on pipes		1202-1012-1001-020	155,69 €
TW-U/W LCD	0...100% RH	0-10 V + Changeover contact	for mounting directly on pipes	■	1202-1012-1201-020	207,03 €
			Sensor external	IP 65		
TW-external						
TW-W-extern	75...100% RH	Changeover contact	for mounting on pipes		1202-1015-0021-030	168,15 €
TW-W-extern LCD	75...100% RH	Changeover contact	for mounting on pipes	■	1202-1015-0221-030	219,46 €
Optional:	Cable connection with M12 connector according to DIN EN 61076-2-101				on request	

Leakage sensor / water ingress detector with switching output

The leakage sensor / water ingress detector **HYGRASREG® LS** with leakage location is used to detect water ingresses and ingresses of conductive liquids. It is designed for the early detection of water leakages to protect sensitive electrical and electronic equipment in buildings against moisture. The water ingress detector consists of an electronic monitoring system with LED status indicator, and a matching electrode, which can be extended by the user.

LS-2

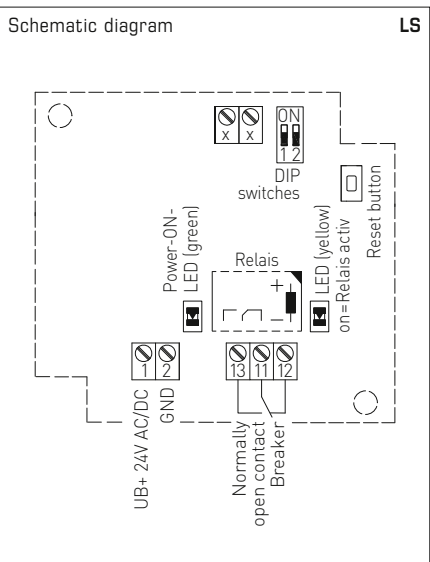


TECHNICAL DATA

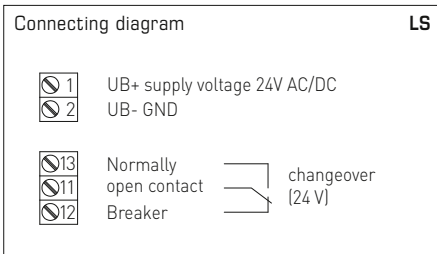
Power supply:	24 V AC (±20%) and 15...36 V DC
Power consumption:	< 1.0 VA / 24 V DC; < 2.2 VA / 24 V AC
Operating range electronics module:	10...95% RH; 0...+50 °C
Monitoring range:	conductive liquids between the probes
Switching threshold:	conductance between electrodes > threshold
Output:	potential-free changeover contact (24 V), 1 A ohmic load
Housing:	plastic, UV-resistant, material polyamide, 30% glass-globe reinforced, with quick-locking screws (slotted / Phillips head combination), colour traffic white (similar to RAL 9016), housing cover is transparent!
Housing dimensions:	72 x 64 x 43.3 mm (Tyr 1)
Cable connection:	cable gland , plastic (M 16 x 1.5; with strain relief, exchangeable, inner diameter 10.4 mm) or M12 connector according to DIN EN 61076-2-101 (optional on request)
Electrical connection:	0.14 - 1.5 mm² via terminal screws
Process connection:	two external probes, laid according to measuring task (on the LS-2) or upright on electrodes with insulating plastic caps, which are mounted on the housing underside (on the LS-4)
Mounting accessories:	for device type LS-2 (2 electrodes 10 mm, already permanently mounted) Electrode extension 15 mm, 20 mm and 30 mm, 2 pieces each, stainless steel V2A (1.4301) (enclosed) Cable sensor , L = 1 m (optional)
Protection class:	III (according to EN 60 730)
Protection type:	IP65 (according to EN 60 529) Housing tested, TÜV SÜD, Report No. 713139052 (Tyr 1)
Standards:	CE conformity, electromagnetic compatibility according to EN 61 326, EMC directive 2014 / 30 / EU

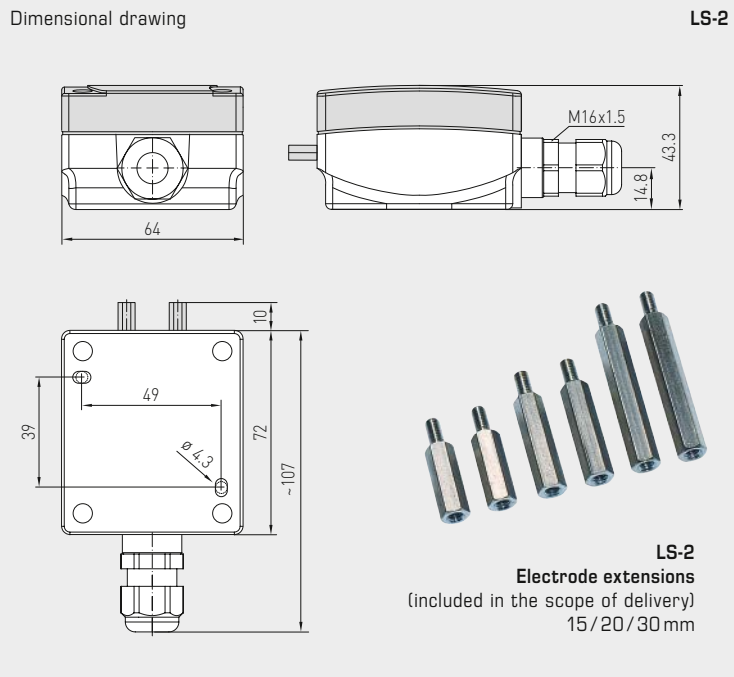
FUNCTION
 The leak sensor can be set using DIP switches so that the relay is energised during normal operation. This means that relay opens in the event of a fault (water damage, cable breakage, power failure). This also enables a break in the cable to the sensor to be detected.

LS-4

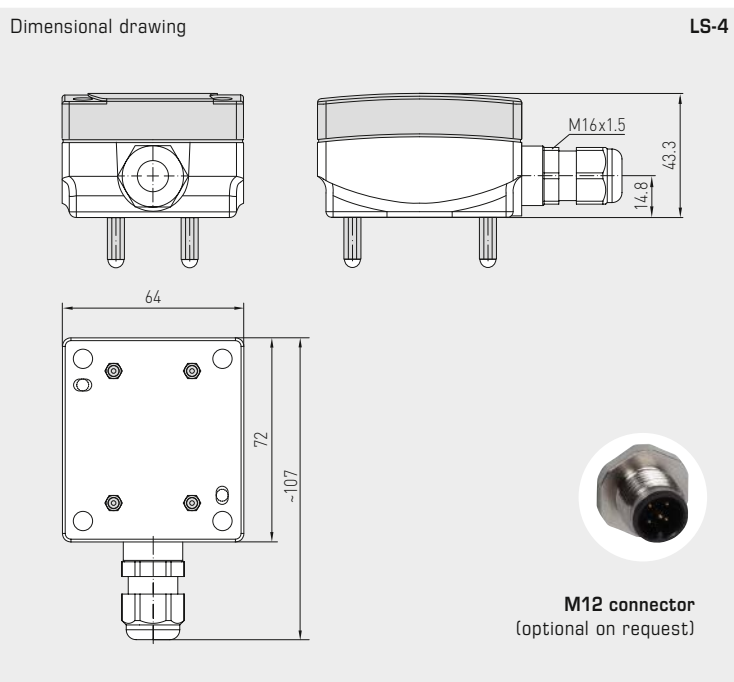


Self-locking (selectable)	DIP 1
Self-locking ON	ON
Self-locking OFF	OFF
Relay status (selectable)	DIP 2
Normally open contact OPEN	ON
Normally open contact CLOSED	OFF





LS-2



LS-4

HYGRASREG® LS Leakage sensor / water ingress detector				
Type / WG01	Detection of leakage of conductive liquids	Output Humidity (relative)	Item No.	Price
LS				
LS-2	Conductance > switching threshold	Changeover contact	1202-1042-0000-000	107,34 €
LS-4	Conductance > switching threshold	Changeover contact	1202-1042-0000-100	121,51 €
Optional:	Cable connection with M12 connector according to DIN EN 61076-2-101		on request	

ACCESSORIES				
LS-Kabelsonde	Cable sensor , L = 1 m, for device type LS-2		1202-1042-0000-001	26,23 €
For further information, see last chapter Accessories!				



Pressure

PREMASGARD® & PREMASREG®

Atmospheric quality

Whether absolute or relative, whether positive pressure, differential pressure or negative pressure – we can handle pressure and provide the right solutions with our pressure sensors and pressure controllers. The high precision of the piezo-resistive sensors guarantees reliable performance from 25 Pascal to 300 bar.

Application Areas

- Process and mechanical engineering
- Medical and cleanroom engineering
- Large catering facilities
- Heating, ventilation and air conditioning
- Pump control and pressure lines
- Filter monitoring and air pressure deficiency protection
- Rotational speed and limit value control





PREMASGARD® & PREMASREG® PRESSURE SENSORS, PRESSURE CONTROLLERS

for gaseous media [mbar / Pa]

PREMASGARD® 111x	Pressure measuring transducer	491
PREMASGARD® 112x	Pressure measuring transducer	491
PREMASGARD® 112x-SD	Pressure measuring transducer	490
PREMASGARD® 211x	Pressure measuring transducer	485
PREMASGARD® 212x	Pressure measuring transducer	485
PREMASGARD® 212x-SD	Pressure measuring transducer	484
PREMASGARD® 711x	Pressure measuring transducer	497
PREMASGARD® 711x-VA	Pressure measuring transducer (Stainless steel housing Tyr2E)	503
PREMASGARD® 722x	Pressure measuring transducer, dual pressure sensor (2 channels)	509
PREMASREG® 711x	Pressure measuring transducer, pressure controller/pressure switch	515
PREMASREG® 711x-VA	Pressure measuring transducer, pressure controller/pressure switch (Stainless steel housing Tyr2E)	521
ALD	Measuring transducer [mbar] atmospheric pressure	535
DS 1 / DS 2	Differential pressure switch	539

for volume flow [mbar / Pa]

PREMASREG® 716x	Volume flow measuring transducer, pressure controller/pressure switch	527
PREMASREG® 716x-VA	Volume flow measuring transducer, pressure controller/pressure switch (Stainless steel housing Tyr2E)	533

for liquid media [bar]

SHD	Pressure measuring transducer	541
SHD-SD	Pressure measuring transducer	541
SHD 692	Pressure measuring transducer	543

Special accessories

see chapter Accessories	649
-------------------------	------------





Pressure

PREMASGARD® & PREMASREG®

Precise sensor technology for the correct pressure

Broad Spectrum

Our pressure measuring transducers are designed to be multifunctional. This reduces the diversity of types while expanding their possible applications.

Thanks to microprocessor technology, almost any measuring range can be represented, including custom specifications.

Multi-range switching, reaction times, units, automatic mode, and manual calibration are selectable via DIP switches.

Optimum Precision

The pressure sensors are developed and manufactured according to the latest criteria. They are fitted with the newest generation sensors that are linearised, temperature-compensated, and offer long-term and zeropoint stability.

The devices are produced at our factory and are calibrated and 100% tested at our test benches and pressure chambers. Each sensor is precisely re-adjustable using offset potentiometers.

Take advantage of our experience, our development, manufacturing, and product know-how, and order these products directly from the manufacturer.

Tested safety and certified quality



RoHS conforming materials



ESD compliant manufacturing



CE conformity



UKCA conformity (UK Conformity Assessed)



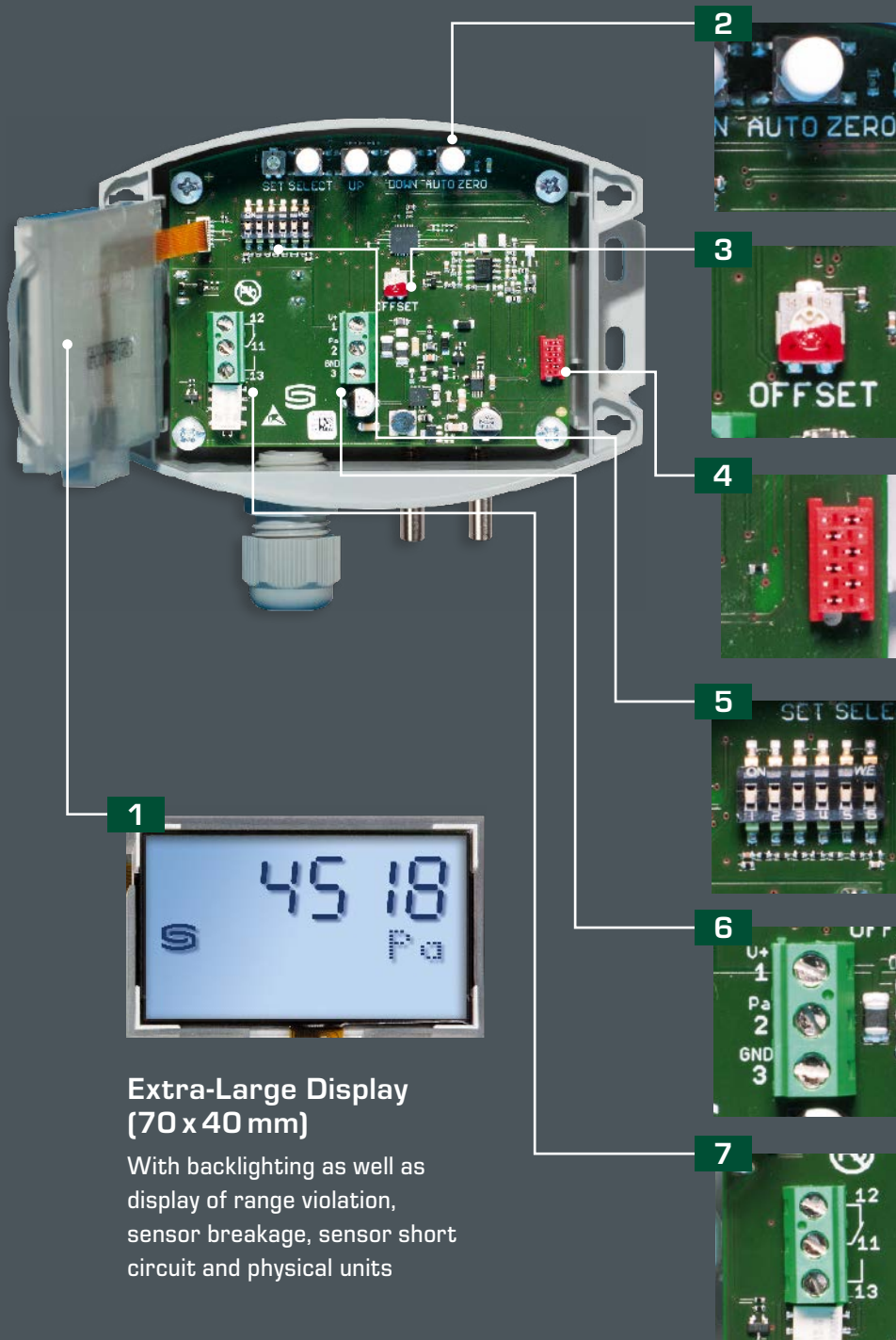
Development, production and sales are certified by TÜV Thüringen according to DIN EN ISO 9001:2015 (quality management) and ISO 14001:2015 (environmental management).



EAC certified

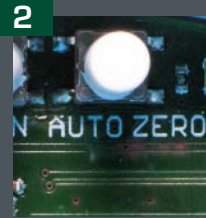


GOST certified



Extra-Large Display (70 x 40 mm)

With backlighting as well as display of range violation, sensor breakage, sensor short circuit and physical units



Auto-Zero

For zero point correction



Offset Potentiometer

For fine adjustment (zero point offset) and readjustment upon recalibration



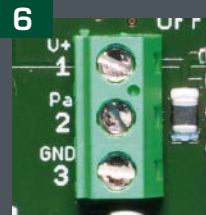
Quality Assurance

Calibration and balancing are done by means of the bus system at their pressure test bench



DIP Switches

For multi-range toggling as well as setting of 4 or 8 different measuring ranges, response times, damping times, units and configuration levels



Screw Terminals

Active output signals 0-10V, 4...20 mA or switched output



Relais

With optional automatic zero point calibration and valve for zero point correction



Pressure, differential pressure and volume flow measuring transducers, including connection set, compact form, adjustable, calibratable, with multi-range switching and active output

The calibrateable compact pressure sensors of the **PREMASGARD® 211x / 212x / 212x-SD** series are equipped with 8 switchable measuring ranges, 2 switchable output signals (16 devices in one) and with or without optional display and are used for measuring above-atmospheric, below-atmospheric, or differential pressures and Volume flow in air. The piezo-resistive measuring element is temperature-compensated and guarantees a high degree of reliability and accuracy. These pressure transmitters have a pushbutton for manual zero point calibration and an adjustable offset. Applications of these pressure sensors are in clean room, medical and filter technology, in ventilation and air conditioning ducts, in spray booths, in large-scale catering facilities, for monitoring filters, for level measurement or for triggering frequency converters. Media measured with these pressure transducers are air (non-precipitating), or other gaseous non-aggressive, non-combustible media. The differential pressure sensor is supplied including connection set **ASD-06** (2 m connection hose, two pressure connection nipples, screws). You can find further device types under **PREMASGARD® 111x / 112x / 112x-SD** (I variant with 2-wire connection).

PREMASGARD® 211x
Pressure connectors
on the top side,
with quick-locking screws
(IP 67)



PREMASGARD® 212x
Pressure connectors
on the bottom side,
with quick-locking screws
(IP 67)



PREMASGARD® 212x-SD
Pressure connectors
on the bottom side,
with snap-on lid
(IP 54)



TECHNICAL DATA

Power supply:	24 V AC/DC (± 10 %)
Working resistance:	R _a (Ohm) = 25...450 Ohm for I variant
Load resistance:	R _L > 25 kOhm for U variant
Power consumption:	< 1 W at 24 V DC; < 2 VA at 24 V AC
Current consumption:	< 45 mA
Measuring function:	Differential pressure, volume flow (square root output signal)
Measuring ranges:	multi-range switching with 8 switchable measuring ranges (see table)
Output:	switchable 0-10V / 4...20 mA (via DIP switches)
Electrical connection:	3-wire connection
Media temperature:	-20...+50 °C (temperature-compensated 0...+50 °C)
Pressure connection:	with connection nozzles for pressure hose Ø 6 mm
Type of pressure:	differential pressure
Medium:	clean air and other non-aggressive, non-combustible gases
Accuracy:	Type 2110 / 2120 / 2120-SD (100 Pa): typically ± 3 Pa at +25 °C Type 2111 / 2121 / 2121-SD (1000 Pa): typically ± 10 Pa at +25 °C Type 2115 / 2125 / 2125-SD (5000 Pa): typically ± 35 Pa at +25 °C Type 2116 / 2126 (10 000 Pa): typically ± 50 Pa at +25 °C compared to the calibrated reference device
Zero point offset:	± 10 % of final value
Above- / below-atmospheric pressure:	± 50 kPa
Long-term stability:	± 1 % per year
Signal filtering:	switchable 1 s / 10 s (via DIP switches)
Hysteresis:	0.3 % of final value
Media contacting parts:	Brass, Ni, Duroplast, Si, epoxy, RTV, BSG, UV silicone gel
Temperature drift values:	± 0.1 % of final value / °C
Linearity:	< ± 1 % of final value
Housing:	plastic, UV-resistant, material polyamide, 30 % glass-globe reinforced, colour traffic white (similar to RAL 9016), housing cover for display is transparent! Type 211x / 212x: with quick-locking screws (slotted/Phillips head combination) Type 212x-SD: with snap-on lid
Housing dimensions:	72 x 64 x 37.8 mm (Tyr 1 / Tyr 01 without display) 72 x 64 x 43.3 mm (Tyr 1 / Tyr 01 with display)
Cable connection:	cable gland , plastic (M 16 x 1.5; with strain relief, exchangeable, max. inner diameter 10.4 mm) or M12 connector according to DIN EN 61076-2-101 (optional on request)
Electrical connection:	0.14 - 1.5 mm ² , via terminal screws
Humidity:	< 95 % RH, non-precipitating air
Protection class:	III (according to EN 60 730)
Protection type:	Type 211x / 212x: IP 67 (according to EN 60 529)* Housing tested, TÜV SÜD, Report No. 713139052 (Tyr 1) Type 212x-SD: IP 54 (according to EN 60 529)* Housing tested, TÜV SÜD, Report No. 713160960A (Tyr 01) * Housing in the built-in state
Standards:	CE conformity, electromagnetic compatibility according to EN 61 326, EMC directive 2014 / 30 / EU
Features:	two-line display with illumination , cutout approx. 36 x 15 mm (W x H), to display ACTUAL pressure
ACCESSORIES	see table

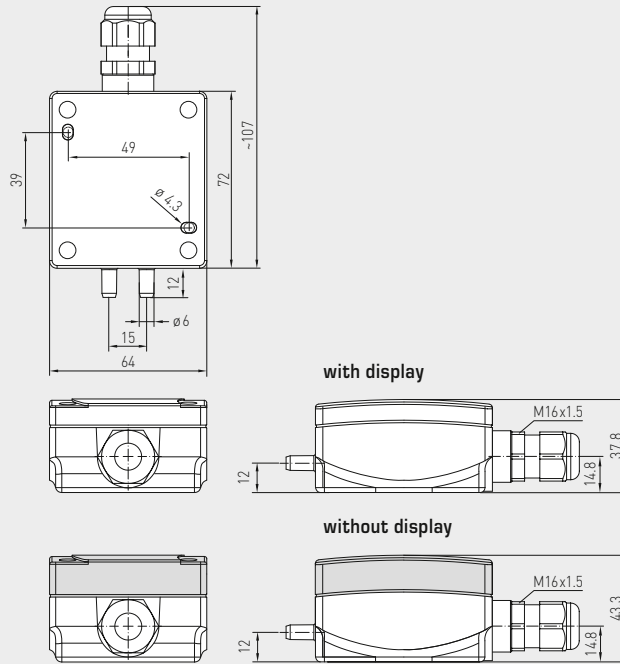


Pressure, differential pressure and volume flow measuring transducers, including connection set, compact form, adjustable, calibratable, with multi-range switching and active output



Dimensional drawing

PREMASGARD® 211x

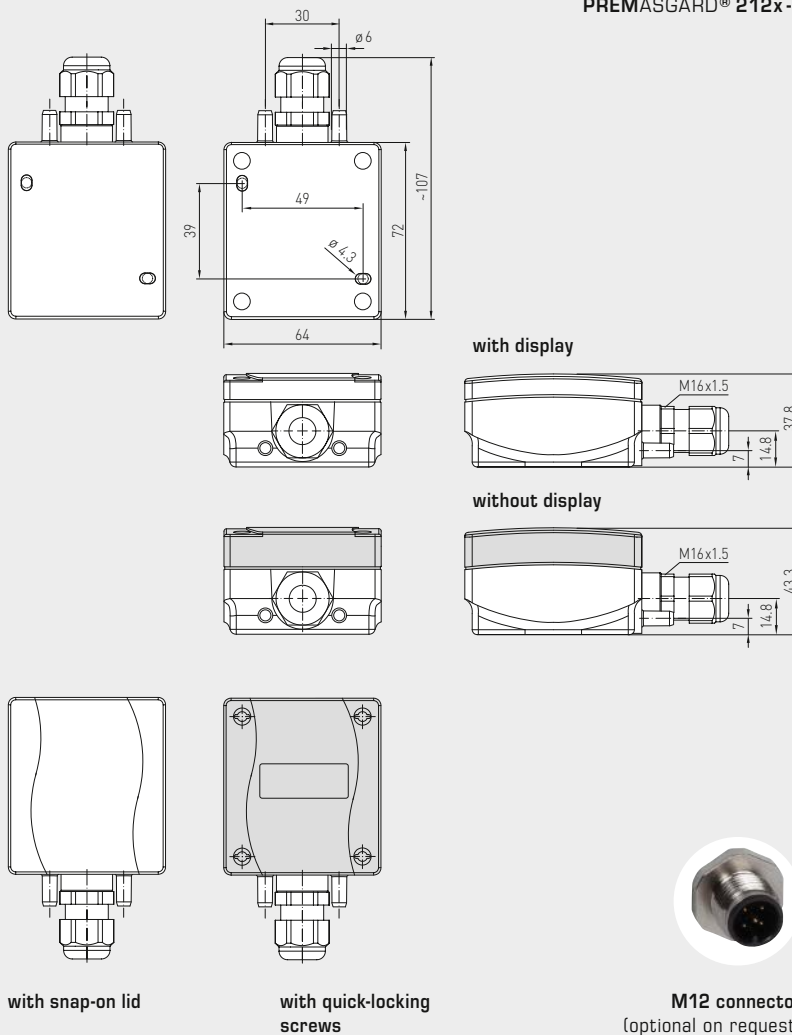


PREMASGARD® 211x
Pressure connectors
on the top side,
with display,
with quick-locking screws
(IP67)



Dimensional drawing

PREMASGARD® 212x
PREMASGARD® 212x-SD



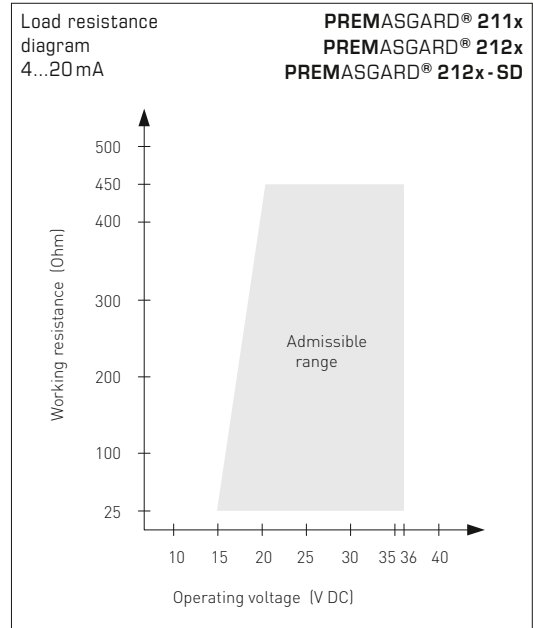
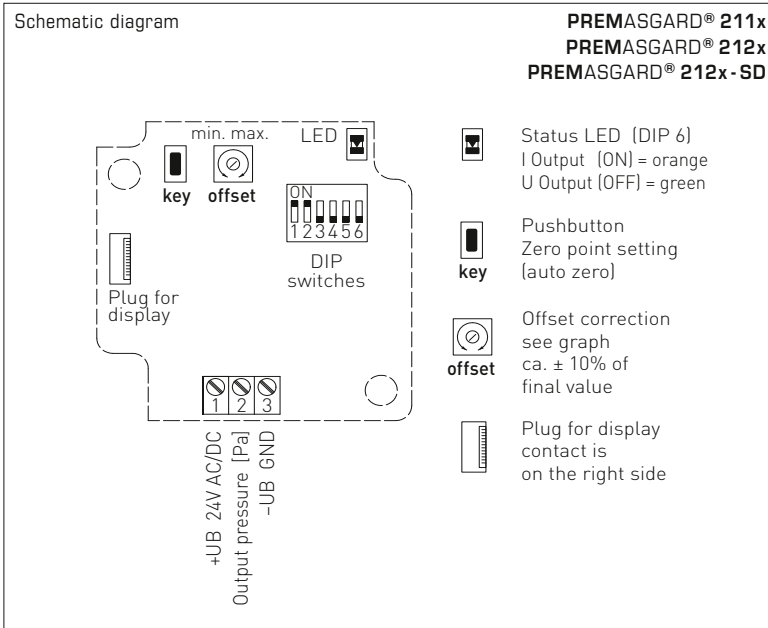
PREMASGARD® 212x
Pressure connectors
on the bottom side,
with display,
with quick-locking screws
(IP67)



PREMASGARD® 212x-SD
Pressure connectors
on the bottom side,
with display,
with snap-on lid
(IP54)



Pressure, differential pressure and volume flow measuring transducers, including connection set, compact form, adjustable, calibratable, with multi-range switching and active output



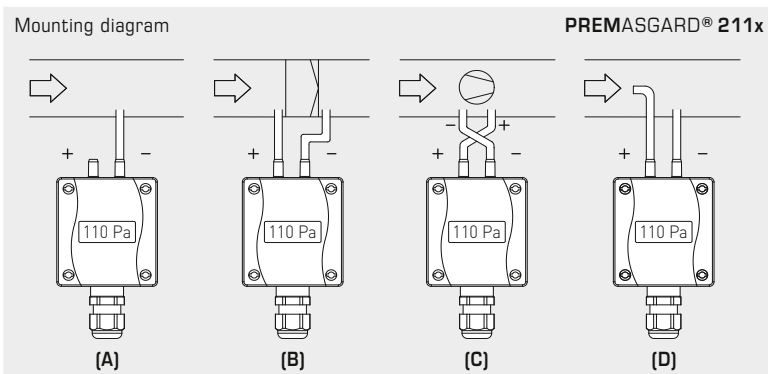
Pressure range								DIP 1	DIP 2
max. measuring range (default) is depending to the type of device									
0...50 Pa	0...100 Pa	0...1000 Pa	0...4000 Pa	-50...+50 Pa	-100...+100 Pa	-1000...+1000 Pa	-4000...+4000 Pa	OFF	OFF
-	0...300 Pa	0...2000 Pa	0...6000 Pa	-	-300...+300 Pa	-2000...+2000 Pa	-6000...+6000 Pa	ON	OFF
-	0...500 Pa	0...3000 Pa	0...8000 Pa	-	-500...+500 Pa	-3000...+3000 Pa	-8000...+8000 Pa	OFF	ON
0...100 Pa	0...1000 Pa	0...5000 Pa	0...10000 Pa	-100...+100 Pa	-1000...+1000 Pa	-5000...+5000 Pa	-10000...+10000 Pa	ON	ON

Measuring range (Mode)	DIP 3
Unidirectional (default) (0...+MR)	OFF
Bidirectional (-MR...+MR)	ON

Output characteristic line (Mode)	DIP 4
linear (default) for pressure detection	OFF
Square root extracting to determine the volume flow	ON

Measurement signal filtering	DIP 5
10 s (default) interval	OFF
1 s interval	ON

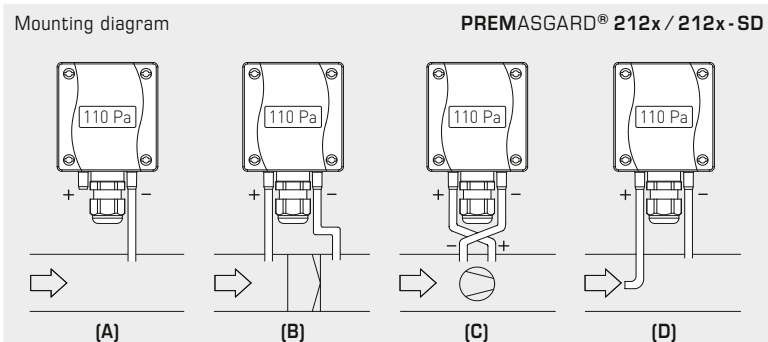
Output (standard signal)	DIP 6
Voltage 0-10V (default)	OFF
Current 4...20 mA	ON



TYPES OF MONITORING:

Pressure connections at the pressure switch are marked with P1 (+) for higher pressure and P2 (-) for lower pressure.

- (A) Below-atmospheric pressure**
P1 (+) is not connected, but open to the atmosphere
P2 (-) connected to inside of duct
- (B) Filter**
P1 (+) connected upstream of filter
P2 (-) connected downstream of filter
- (C) Ventilator**
P1 (+) connected downstream of ventilator
P2 (-) connected upstream of ventilator
- (D) Volume flow**
P1 (+) dynamic pressure, connected in flow direction
P2 (-) static pressure, connected free of dynamic pressure components



$$V = k \cdot \sqrt{\Delta p}$$

V = Volume flow

k = K factor

Δp = Differential pressure [Pa]



S+S REGELTECHNIK

Pressure, differential pressure and volume flow measuring transducers, including connection set, compact form, adjustable, calibratable, with multi-range switching and active output

PREMASGARD® 211x
Pressure connectors
on the top side,
with display



PREMASGARD® 212x
Pressure connectors
on the bottom side,
with display



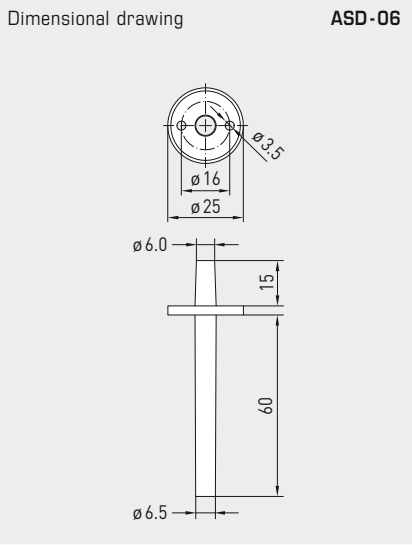
WS-04
Weather and sun protection hood
(optional)



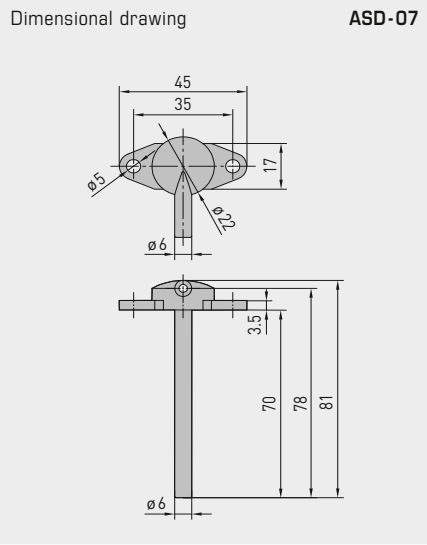
Conversion table for pressure values:

Unit =	bar	mbar	Pa	kPa	mWS
1 Pa	0.00001 bar	0.01 mbar	1 Pa	0.001 kPa	0.000101971 mWS
1 kPa	0.01 bar	10 mbar	1000 Pa	1 kPa	0.101971 mWS
1 bar	1 bar	1000 mbar	100000 Pa	100 kPa	10.1971 mWS
1 mbar	0.001 bar	1 mbar	100 Pa	0.1 kPa	0.0101971 mWS
1 mWS	0.0980665 bar	98.0665 mbar	9806.65 Pa	9.80665 kPa	1 mWS

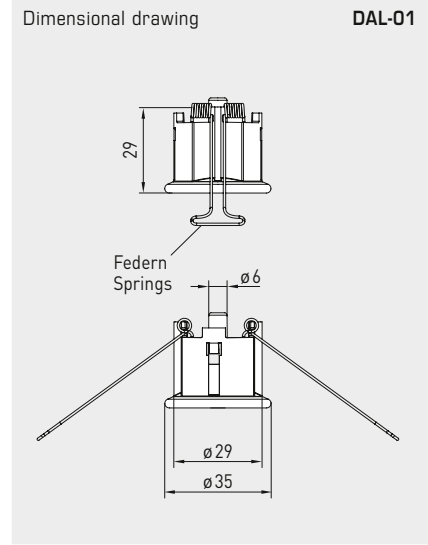
Pressure, differential pressure and volume flow measuring transducers, including connection set, compact form, adjustable, calibratable, with multi-range switching and active output



ASD-06
Connection set



ASD-07
Connection nipple



DAL-01
Pressure outlet



ACCESSORIES		Item No.	Price
ASD-06	Connection set (included in the scope of delivery) , consisting of 2 connection nipples (straight) made of ABS, 2 m PVC hose (soft, UV-resistant) and 4 screws	7100-0060-3000-000	7,87 €
ASD-07	2 connection nipples (at 90 degree angle) made of plastic, ABS	7100-0060-7000-000	7,87 €
DAL-01	Pressure outlet for ceiling or in-wall installation (e.g. in clean rooms)	7300-0060-3000-001	36,84 €
WS-04	Weather and sun protection hood , 130 x 180 x 135 mm, stainless steel V2A (1.4301)	7100-0040-7000-000	38,61 €

For further information, see last chapter Accessories!

PREMASGARD® 212x-SD		Pressure, differential pressure and volume flow measuring transducers, <i>Standard</i> (Pressure connectors on the bottom side)			
Pressure range (Ranges adjustable)	Type / WGO1B (3-wire connection)	Output (switchable)	Display	Item No. (with snap-on lid)	Price
max. - 1000...+ 1000 Pa	Type 2121-SD			IP 54	
0... 100 Pa / - 100...+ 100 Pa	PREMASGARD 2121-SD	0-10V / 4...20mA		1301-11B7-0010-000	140,58 €
0... 300 Pa / - 300...+ 300 Pa	PREMASGARD 2121-SD LCD	0-10V / 4...20mA	■	1301-11B7-2010-000	190,62 €
0... 500 Pa / - 500...+ 500 Pa					
0... 1000 Pa / -1000...+ 1000 Pa					
max. - 5000...+ 5000 Pa	Type 2125-SD			IP 54	
0...1000 Pa / -1000...+1000 Pa	PREMASGARD 2125-SD	0-10V / 4...20mA		1301-11B7-0050-000	140,58 €
0...2000 Pa / -2000...+2000 Pa	PREMASGARD 2125-SD LCD	0-10V / 4...20mA	■	1301-11B7-2050-000	190,62 €
0...3000 Pa / -3000...+3000 Pa					
0...5000 Pa / -5000...+5000 Pa					
max. - 100...+ 100 Pa	Type 2120-SD			IP 54	
0... 50 Pa / - 50...+ 50 Pa	PREMASGARD 2120-SD	0-10V / 4...20mA		1301-11B7-0110-000	140,58 €
0... 100 Pa / -100...+ 100 Pa	PREMASGARD 2120-SD LCD	0-10V / 4...20mA	■	1301-11B7-2110-000	190,62 €
Multi-range switching:		The pressure ranges depend on the device type and can be set via DIP switches.			
Output / Connection:		0-10V or 4...20mA (selectable via DIP switches) / 3-wire connection			
Optional:		Cable connection with M12 connector according to DIN EN 61076-2-101 (on request)			



S+S REGELTECHNIK

Pressure, differential pressure and volume flow measuring transducers, including connection set, compact form, adjustable, calibratable, with multi-range switching and active output



PREMASGARD® 211x		Pressure, differential pressure and volume flow measuring transducers, <i>Premium</i> (Pressure connectors on the top side)			
Pressure range (Ranges adjustable)	Type / WG01 (3-wire connection)	Output (switchable)	Display	Item No. (with quick-locking screws)	Price
max. - 1000...+ 1000 Pa		Type 2111		IP 67	
0... 100 Pa / - 100...+ 100 Pa	PREMASGARD 2111	0-10V / 4...20 mA		1301-1197-0010-000	156,67 €
0... 300 Pa / - 300...+ 300 Pa	PREMASGARD 2111 LCD	0-10V / 4...20 mA	■	1301-1197-2010-000	208,82 €
0... 500 Pa / - 500...+ 500 Pa					
0... 1000 Pa / - 1000...+ 1000 Pa					
max. - 5000...+ 5000 Pa		Type 2115		IP 67	
0... 1000 Pa / - 1000...+ 1000 Pa	PREMASGARD 2115	0-10V / 4...20 mA		1301-1197-0050-000	156,67 €
0... 2000 Pa / - 2000...+ 2000 Pa	PREMASGARD 2115 LCD	0-10V / 4...20 mA	■	1301-1197-2050-000	208,82 €
0... 3000 Pa / - 3000...+ 3000 Pa					
0... 5000 Pa / - 5000...+ 5000 Pa					
max. - 10000...+ 10000 Pa		Type 2116		IP 67	
0... 4000 Pa / - 4000...+ 4000 Pa	PREMASGARD 2116	0-10V / 4...20 mA		1301-1197-0060-000	177,88 €
0... 6000 Pa / - 6000...+ 6000 Pa	PREMASGARD 2116 LCD	0-10V / 4...20 mA	■	1301-1197-2060-000	230,03 €
0... 8000 Pa / - 8000...+ 8000 Pa					
0... 10000 Pa / - 10000...+ 10000 Pa					
max. - 100...+ 100 Pa		Type 2110		IP 67	
0... 50 Pa / - 50...+ 50 Pa	PREMASGARD 2110	0-10V / 4...20 mA		1301-1197-0110-000	156,67 €
0... 100 Pa / - 100...+ 100 Pa	PREMASGARD 2110 LCD	0-10V / 4...20 mA	■	1301-1197-2110-000	208,82 €
Multi-range switching:		The pressure ranges depend on the device type and can be set via DIP switches.			
Output / Connection:		0-10V or 4...20 mA (selectable via DIP switches) / 3-wire connection			
Optional:		Cable connection with M12 connector according to DIN EN 61076-2-101 (on request)			

PREMASGARD® 212x		Pressure, differential pressure and volume flow measuring transducers, <i>Premium</i> (Pressure connectors on the bottom side)			
Pressure range (Ranges adjustable)	Type / WG01 (3-wire connection)	Output (switchable)	Display	Item No. (with quick-locking screws)	Price
max. - 1000...+ 1000 Pa		Type 2121		IP 67	
0... 100 Pa / - 100...+ 100 Pa	PREMASGARD 2121	0-10V / 4...20 mA		1301-11A7-0010-000	156,67 €
0... 300 Pa / - 300...+ 300 Pa	PREMASGARD 2121 LCD	0-10V / 4...20 mA	■	1301-11A7-2010-000	208,82 €
0... 500 Pa / - 500...+ 500 Pa					
0... 1000 Pa / - 1000...+ 1000 Pa					
max. - 5000...+ 5000 Pa		Type 2125		IP 67	
0... 1000 Pa / - 1000...+ 1000 Pa	PREMASGARD 2125	0-10V / 4...20 mA		1301-11A7-0050-000	156,67 €
0... 2000 Pa / - 2000...+ 2000 Pa	PREMASGARD 2125 LCD	0-10V / 4...20 mA	■	1301-11A7-2050-000	208,82 €
0... 3000 Pa / - 3000...+ 3000 Pa					
0... 5000 Pa / - 5000...+ 5000 Pa					
max. - 10000...+ 10000 Pa		Type 2126		IP 67	
0... 4000 Pa / - 4000...+ 4000 Pa	PREMASGARD 2126	0-10V / 4...20 mA		1301-11A7-0060-000	177,88 €
0... 6000 Pa / - 6000...+ 6000 Pa	PREMASGARD 2126 LCD	0-10V / 4...20 mA	■	1301-11A7-2060-000	230,03 €
0... 8000 Pa / - 8000...+ 8000 Pa					
0... 10000 Pa / - 10000...+ 10000 Pa					
max. - 100...+ 100 Pa		Type 2120		IP 67	
0... 50 Pa / - 50...+ 50 Pa	PREMASGARD 2120	0-10V / 4...20 mA		1301-11A7-0110-000	156,67 €
0... 100 Pa / - 100...+ 100 Pa	PREMASGARD 2120 LCD	0-10V / 4...20 mA	■	1301-11A7-2110-000	208,82 €
Multi-range switching:		The pressure ranges depend on the device type and can be set via DIP switches.			
Output / Connection:		0-10V or 4...20 mA (selectable via DIP switches) / 3-wire connection			
Optional:		Cable connection with M12 connector according to DIN EN 61076-2-101 (on request)			

Pressure, differential pressure and volume flow measuring transducers, including connection set, compact form, adjustable, calibratable, with multi-range switching and active output

The calibrateable compact pressure sensors of the **PREMASGARD® 111x / 112x / 112x-SD** series are equipped with eight switchable measuring ranges and with or without optional display (eight devices in one) and are used for measuring above-atmospheric, below-atmospheric, or differential pressures and Volume flow in air. The piezo-resistive measuring element is temperature-compensated and guarantees a high degree of reliability and accuracy. These pressure transmitters have a pushbutton for manual zero point calibration and an adjustable offset. Applications of these pressure sensors are in clean room, medical and filter technology, in ventilation and air conditioning ducts, in spray booths, in large-scale catering facilities, for monitoring filters, for level measurement or for triggering frequency converters. Media measured with these pressure transducers are air (non-precipitating), or other gaseous non-aggressive, non-combustible media. The differential pressure sensor is supplied including connection set **ASD-06** (2m connection hose, two pressure connection nipples, screws). You can find further device types under **PREMASGARD® 211x / 212x / 212x-SD** (3-conductor connection) with switchable output (0-10V / 4...20 mA).

TECHNICAL DATA

Power supply:	24 V AC (±20 %); 15...36V DC for U variant 15...36V DC for I variant, depending on working resistance, residual ripple stabilised ±0.3V
Working resistance:	$R_b \text{ (ohm)} = (U_b - 14 \text{ V}) / 0.02 \text{ A}$ for I variant
Load resistance:	$R_L > 5 \text{ kOhm}$ for U variant
Power consumption:	< 1 W at 24V DC; < 2VA at 24V AC
Measuring function:	Differential pressure, volume flow (square root output signal)
Measuring ranges:	multi-range switching with 8 switchable measuring ranges (see table)
Output:	0 -10V or 4...20mA
Electrical connection:	2- or 3-wire connection
Media temperature:	-20...+50 °C
Pressure connection:	with connection nozzles for pressure hose Ø 6 mm
Type of pressure:	differential pressure
Medium:	clean air and other non-aggressive, non-combustible gases
Accuracy:	Type 1111 / 1121 / 1121-SD (1000 Pa): typically ± 10 Pa Type 1115 / 1125 / 1125-SD (5000 Pa): typically ± 50 Pa compared to the calibrated reference device
Zero point offset:	± 10 % of final value
Above- / below-atmospheric pressure:	max. 5x measuring range
Long-term stability:	± 1 % per year
Signal filtering:	switchable 1 s / 10 s
Hysteresis:	0.3 % of final value
Media contacting parts:	ms, Ni, Nylon, PU, Si, PVC with plasticisers
Temperature drift values:	± 0.1 % of final value / °C
Current consumption:	< 20 mA
Linearity:	< ± 1 % of final value
Housing:	plastic, UV-resistant, material polyamide, 30 % glass-globe reinforced, colour traffic white (similar to RAL 9016), housing cover for display is transparent! Type 111x / 112x: with quick-locking screws (slotted/Phillips head combination) Type 112x-SD: with snap-on lid
Housing dimensions:	72 x 64 x 37.8 mm (Tyr 1 / Tyr 01 without display) 72 x 64 x 43.3 mm (Tyr 1 / Tyr 01 with display)
Cable connection:	cable gland , plastic (M 16 x 1.5; with strain relief, exchangeable, inner diameter 10.4 mm) or M12 connector according to DIN EN 61076-2-101 (optional on request)
Electrical connection:	0.14 - 1.5 mm², via terminal screws
Humidity:	< 95 % RH, non-precipitating air
Protection class:	III (according to EN 60 730)
Protection type:	Type 111x / 112x: IP 67 (according to EN 60 529)* Housing tested, TÜV SÜD, Report No. 713139052 (Tyr 1) Type 112x-SD: IP 54 (according to EN 60 529)* Housing tested, TÜV SÜD, Report No. 713160960A (Tyr 01) * Housing in the built-in state
Standards:	CE conformity, electromagnetic compatibility according to EN 61 326, EMC directive 2014 / 30 / EU
Features:	two-line display with illumination , cutout approx. 36 x 15 mm (W x H), to display ACTUAL pressure
ACCESSORIES	see table

PREMASGARD® 111x
Pressure connectors
on the top side
with quick-locking screws
(IP 67)



PREMASGARD® 112x
Pressure connectors
on the bottom side
with quick-locking screws
(IP 67)



PREMASGARD® 112x-SD
Pressure connectors
on the bottom side
with snap-on lid
(IP 54)





S+S REGELTECHNIK

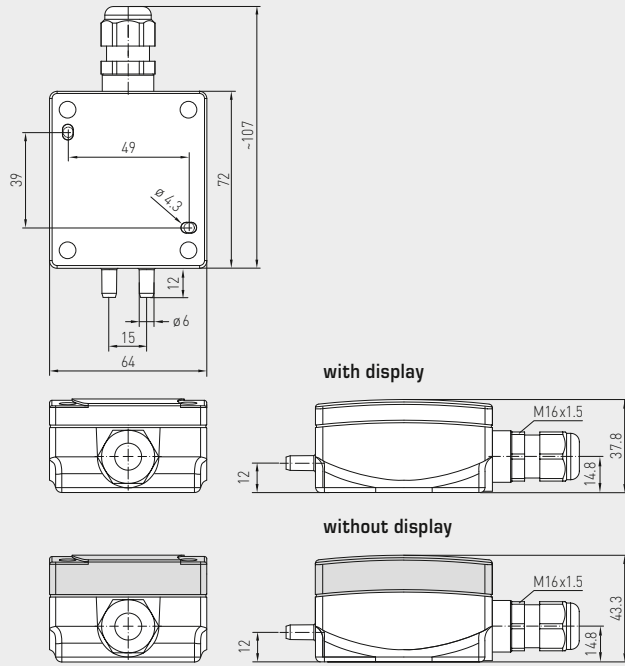
1 variant with 2-wire connection

PREMASGARD® 111x/112x/112x-SD

Pressure, differential pressure and volume flow measuring transducers, including connection set, compact form, adjustable, calibratable, with multi-range switching and active output

Dimensional drawing

PREMASGARD® 111x

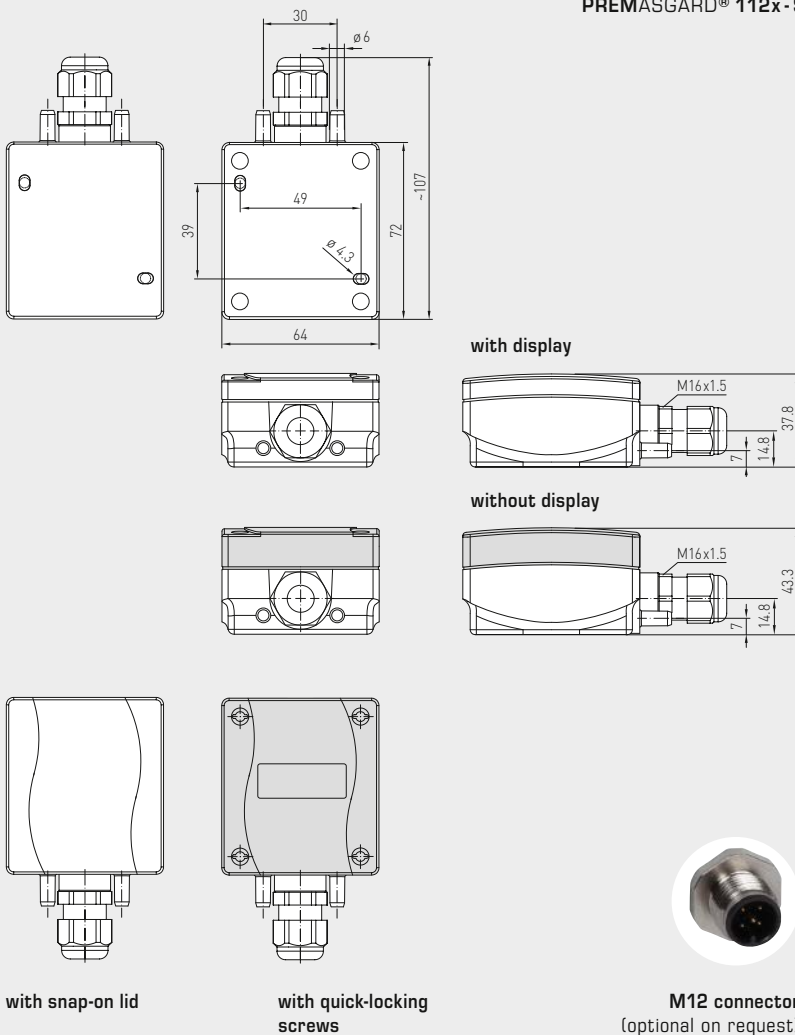


PREMASGARD® 111x
Pressure connectors on the top side, with display, with quick-locking screws (IP67)



Dimensional drawing

PREMASGARD® 112x PREMASGARD® 112x-SD



PREMASGARD® 112x
Pressure connectors on the bottom side, with display, with quick-locking screws (IP67)



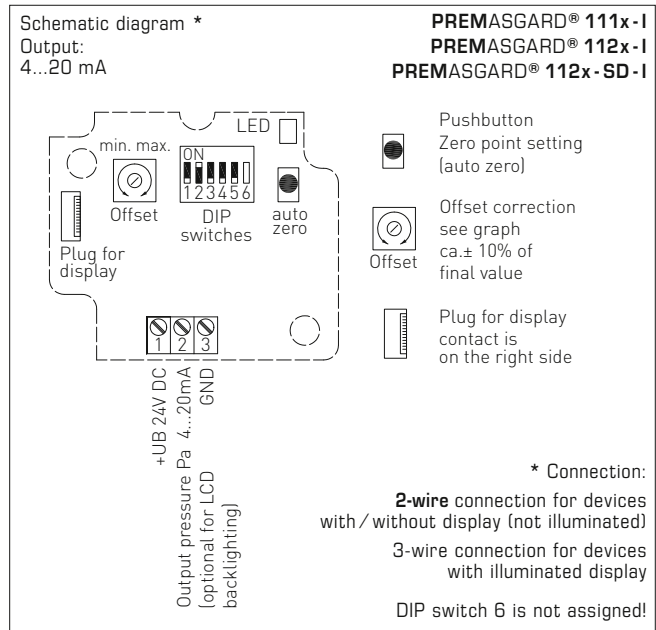
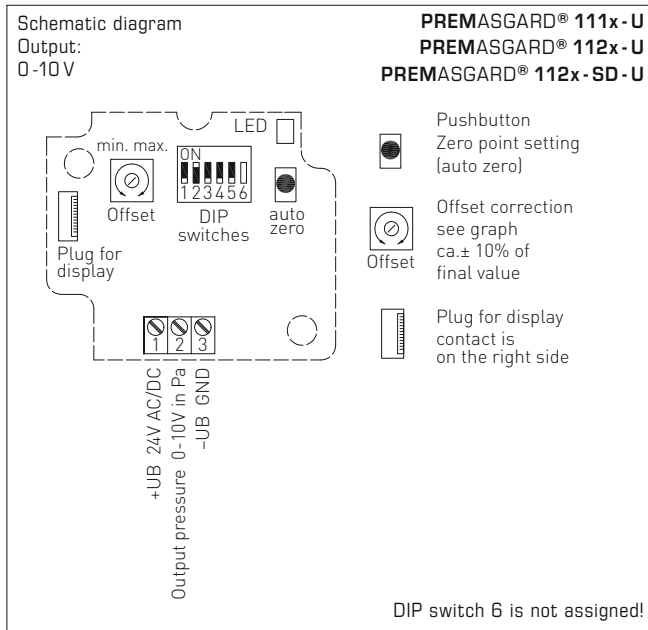
PREMASGARD® 112x-SD
Pressure connectors on the bottom side, with display, with snap-on lid (IP54)



1 variant with 2-wire connection



Pressure, differential pressure and volume flow measuring transducers, including connection set, compact form, adjustable, calibratable, with multi-range switching and active output

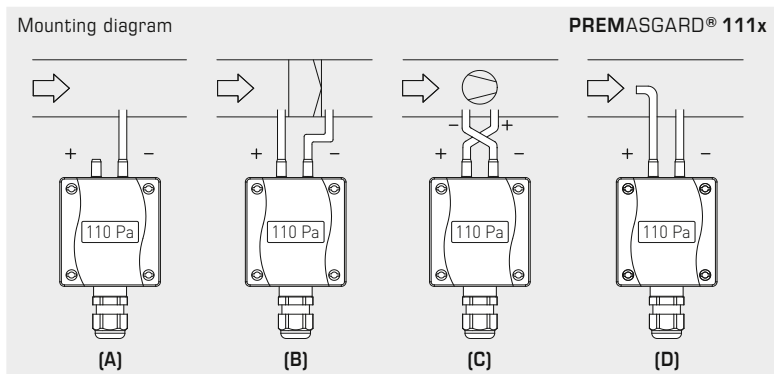


Pressure range				DIP 1	DIP 2
max. measuring range (default) is depending to the type of device					
0...100 Pa	0...1000 Pa	-100...+100 Pa	-1000...+1000 Pa	OFF	OFF
0...300 Pa	0...2000 Pa	-300...+300 Pa	-2000...+2000 Pa	ON	OFF
0...500 Pa	0...3000 Pa	-500...+500 Pa	-3000...+3000 Pa	OFF	ON
0...1000 Pa	0...5000 Pa	-1000...+1000 Pa	-5000...+5000 Pa	ON	ON

Measuring range (Mode)	DIP 3
Unidirectional (default) (0...+MR)	OFF
Bidirectional (-MR...+MR)	ON

Output characteristic line (Mode)	DIP 4
Linear (default) for pressure detection	OFF
Square root extracting to determine the volume flow	ON

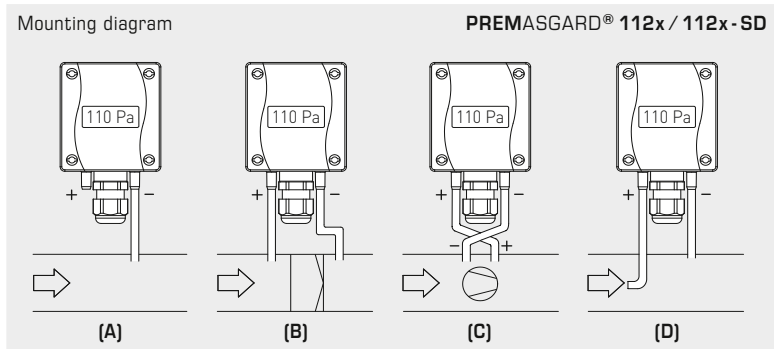
Measurement signal filtering	DIP 5
10 s (default) interval	OFF
1 s interval	ON



TYPES OF MONITORING:

Pressure connections at the pressure switch are marked with P1 (+) for higher pressure and P2 (-) for lower pressure.

- (A) Below-atmospheric pressure
P1 (+) is not connected, but open to the atmosphere
P2 (-) connected to inside of duct
- (B) Filter
P1 (+) connected upstream of filter
P2 (-) connected downstream of filter
- (C) Ventilator
P1 (+) connected downstream of ventilator
P2 (-) connected upstream of ventilator
- (D) Volume flow
P1 (+) dynamic pressure, connected in flow direction
P2 (-) static pressure, connected free of dynamic pressure components



$$V = k \cdot \sqrt{\Delta p}$$

V = Volume flow
k = K factor
 Δp = Differential pressure [Pa]

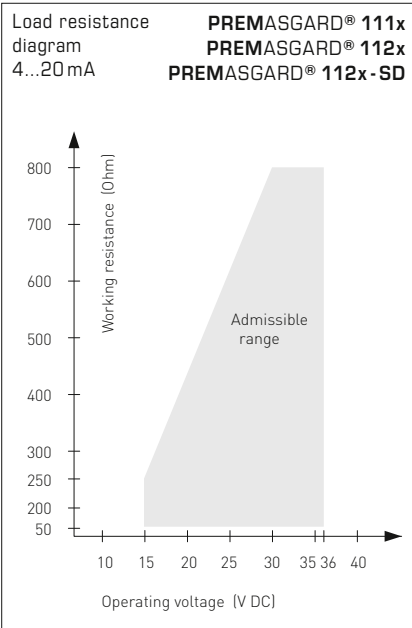


S+S REGELTECHNIK

1 variant with 2-wire connection

PREMASGARD® 111x/112x/112x-SD

Pressure, differential pressure and volume flow measuring transducers, including connection set, compact form, adjustable, calibratable, with multi-range switching and active output



PREMASGARD® 111x
Pressure connectors on the top side, with display



PREMASGARD® 112x
Pressure connectors on the bottom side, with display



WS-04
Weather and sun protection hood (optional)



Conversion table for pressure values:

Unit =	bar	mbar	Pa	kPa	mWS
1 Pa	0.00001 bar	0.01 mbar	1 Pa	0.001 kPa	0.000101971 mWS
1 kPa	0.01 bar	10 mbar	1000 Pa	1 kPa	0.101971 mWS
1 bar	1 bar	1000 mbar	100000 Pa	100 kPa	10.1971 mWS
1 mbar	0.001 bar	1 mbar	100 Pa	0.1 kPa	0.0101971 mWS
1 mWS	0.0980665 bar	98.0665 mbar	9806.65 Pa	9.80665 kPa	1 mWS

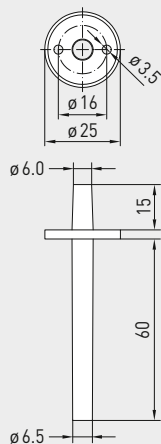
Pressure, differential pressure and volume flow measuring transducers, including connection set, compact form, adjustable, calibratable, with multi-range switching and active output

1 variant with 2-wire connection



S+S REGELTECHNIK

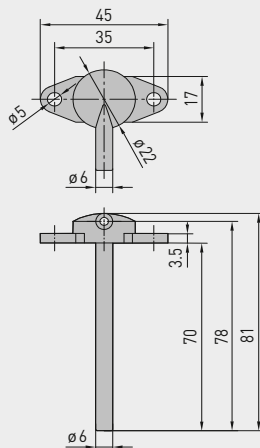
Dimensional drawing ASD-06



ASD-06 Connection set



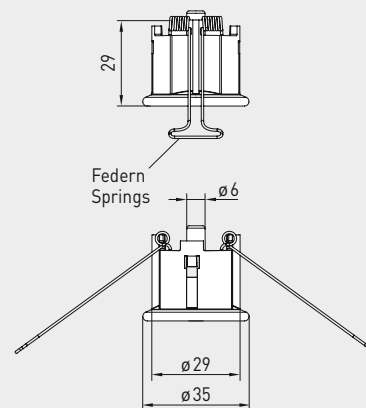
Dimensional drawing ASD-07



ASD-07 Connection nipple



Dimensional drawing DAL-01



DAL-01 Pressure outlet



ACCESSORIES		Item No.	Price
ASD-06	Connection set (included in the scope of delivery) , consisting of 2 connection nipples (straight) made of ABS, 2 m PVC hose (soft, UV-resistant) and 4 screws	7100-0060-3000-000	7,87 €
ASD-07	2 connection nipples (at 90 degree angle) made of plastic, ABS	7100-0060-7000-000	7,87 €
DAL-01	Pressure outlet for ceiling or in-wall installation (e.g. in clean rooms)	7300-0060-3000-001	36,84 €
WS-04	Weather and sun protection hood , 130 x 180 x 135 mm, stainless steel V2A (1.4301)	7100-0040-7000-000	38,61 €

For further information, see last chapter Accessories!

PREMASGARD® 112x-SD Pressure, differential pressure and volume flow measuring transducers, *Standard* (Pressure connectors on the bottom side)

Pressure range (Ranges adjustable)	Type / WG01	Connection 2- or 3-wire	Output	Display	Item No (with snap-on lid)	Price
max. - 1000...+ 1000 Pa	Type 1121-SD				IP 54	
0... 100 Pa / - 100...+ 100 Pa	PREMASGARD 1121-SD-I	2	4...20 mA		1301-1182-0010-000	154,47 €
0... 300 Pa / - 300...+ 300 Pa	PREMASGARD 1121-SD-I LCD	2/3	4...20 mA	■	1301-1182-2010-000	198,97 €
0... 500 Pa / - 500...+ 500 Pa	-	3	0-10 V		see PREMASGARD® 212x-SD	
0... 1000 Pa / - 1000...+ 1000 Pa	-					
max. - 5000...+ 5000 Pa	Type 1125-SD				IP 54	
0... 1000 Pa / - 1000...+ 1000 Pa	PREMASGARD 1125-SD-I	2	4...20 mA		1301-1182-0050-000	154,47 €
0... 2000 Pa / - 2000...+ 2000 Pa	PREMASGARD 1125-SD-I LCD	2/3	4...20 mA	■	1301-1182-2050-000	198,97 €
0... 3000 Pa / - 3000...+ 3000 Pa	-	3	0-10 V		see PREMASGARD® 212x-SD	
0... 5000 Pa / - 5000...+ 5000 Pa	-					
Multi-range switching:	The pressure ranges depend on the device type and can be set via DIP switches.					
Connection:	1 variant with 2-wire connection for devices with / without display (not illuminated)					
Optional:	Cable connection with M12 connector according to DIN EN 61076-2-101 (on request)					



S+S REGELTECHNIK

I variant with 2-wire connection

Pressure, differential pressure and volume flow measuring transducers, including connection set, compact form, adjustable, calibratable, with multi-range switching and active output

PREMASGARD® 111x

Pressure connectors on the top side, with/without display, with quick-locking screws (IP 67)

PREMASGARD® 112x

Pressure connectors on the bottom side, with/without display, with quick-locking screws (IP 67)

PREMASGARD® 112x-SD

Pressure connectors on the bottom side, with/without display, with snap-on lid (IP 54)



PREMASGARD® 111x		Pressure, differential pressure and volume flow measuring transducers, <i>Premium</i> (Pressure connectors on the top side)				
Pressure range (Ranges adjustable)	Type/WG01	Connection 2- or 3-wire	Output	Display	Item No (with quick-locking screws)	Price
max. - 1000...+ 1000 Pa	PREMASGARD® 1111				IP 67	
0... 100 Pa / - 100...+ 100 Pa	PREMASGARD 1111-I	2	4...20 mA		1301-1112-0010-000	156,67 €
0... 300 Pa / - 300...+ 300 Pa	PREMASGARD 1111-I LCD	2/3	4...20 mA	■	1301-1112-2010-000	208,82 €
0... 500 Pa / - 500...+ 500 Pa	-	3	0-10 V		see PREMASGARD® 211x	
0... 1000 Pa / - 1000...+ 1000 Pa	-					
max. - 5000...+ 5000 Pa	PREMASGARD® 1115				IP 67	
0...1000 Pa / - 1000...+ 1000 Pa	PREMASGARD 1115-I	2	4...20 mA		1301-1112-0050-000	156,67 €
0...2000 Pa / - 2000...+ 2000 Pa	PREMASGARD 1115-I LCD	2/3	4...20 mA	■	1301-1112-2050-000	208,82 €
0...3000 Pa / - 3000...+ 3000 Pa	-	3	0-10 V		see PREMASGARD® 211x	
0...5000 Pa / - 5000...+ 5000 Pa	-					
Multi-range switching:	The pressure ranges depend on the device type and can be set via DIP switches.					
Connection:	I variant with 2-wire connection for devices with / without display (not illuminated)					
Optional:	Cable connection with M12 connector according to DIN EN 61076-2-101 (on request)					

PREMASGARD® 112x		Pressure, differential pressure and volume flow measuring transducers, <i>Premium</i> (Pressure connectors on the bottom side)				
Pressure range (Ranges adjustable)	Type/WG01	Connection 2- or 3-wire	Output	Display	Item No (with quick-locking screws)	Price
max. - 1000...+ 1000 Pa	Type 1121				IP 67	
0... 100 Pa / - 100...+ 100 Pa	PREMASGARD 1121-I	2	4...20 mA		1301-1172-0010-000	156,67 €
0... 300 Pa / - 300...+ 300 Pa	PREMASGARD 1121-I LCD	2/3	4...20 mA	■	1301-1172-2010-000	208,82 €
0... 500 Pa / - 500...+ 500 Pa	-	3	0-10 V		see PREMASGARD® 212x	
0... 1000 Pa / - 1000...+ 1000 Pa	-					
max. - 5000...+ 5000 Pa	Type 1125				IP 67	
0...1000 Pa / - 1000...+ 1000 Pa	PREMASGARD 1125-I	2	4...20 mA		1301-1172-0050-000	156,67 €
0...2000 Pa / - 2000...+ 2000 Pa	PREMASGARD 1125-I LCD	2/3	4...20 mA	■	1301-1172-2050-000	208,82 €
0...3000 Pa / - 3000...+ 3000 Pa	-	3	0-10 V		see PREMASGARD® 212x	
0...5000 Pa / - 5000...+ 5000 Pa	-					
Multi-range switching:	The pressure ranges depend on the device type and can be set via DIP switches.					
Connection:	I variant with 2-wire connection for devices with / without display (not illuminated)					
Optional:	Cable connection with M12 connector according to DIN EN 61076-2-101 (on request)					

**Pressure and differential pressure measuring transducers,
including connection set, adjustable, calibratable,
with multi-range switching and active output**

The calibratable pressure sensors **PREMASGARD® 711x** (series) with eight switchable measuring ranges (eight devices in one), housing made from impact-resistant plastic, optionally with/without display, with cable gland or M12 connector according to DIN EN 61076-2-101 and pressure connection nozzles (quick connect optional) are used to measure positive, negative or differential pressures in air. The piezoresistive measuring element is temperature-compensated and guarantees a high degree of reliability and accuracy.

Applications of these pressure sensors are in clean room, medical and filter technology, in ventilation and air conditioning ducts, in spray booths, in large-scale catering facilities, for filter monitoring and level measurement or for triggering frequency converters. Media measured with these pressure transducers are air (non-precipitating), or other gaseous, non-aggressive, non-combustible media.

The pressure sensor has a button for manual zero point calibration (automatic zero point calibration optional/standard for 25 Pa) and an offset potentiometer for final value correction. The sensor is factory-calibrated; an environmental precision adjustment by an expert is possible. The delivery includes the connection set **ASD-06** (2 m connection hose, two pressure port nipples, screws).

PREMASGARD® 711x
with cable gland



PREMASGARD® 711x-Q
with M12 connector



Pressure port
for pressure hose
(as standard)



TECHNICAL DATA

Power supply:	24 V AC (±20 %); 15...36 V DC for U variant 15...36 V DC for I variant, depending on working resistance, residual ripple stabilised ±0.3 V
Working resistance:	$R_B \text{ (Ohm)} = (U_B - 14 \text{ V}) / 0.02 \text{ A}$ for I variant, see working resistance diagram
Load resistance:	$R_L > 5 \text{ kOhm}$ for U variant
Power consumption:	< 2 VA / 24 V DC, < 3.5 VA / 24 V AC
Measuring ranges:	multi-range switching with 8 switchable measuring ranges (see table)
Type of pressure:	differential pressure
Pressure connection:	with connection nozzle for pressure hose Ø 6 mm, optionally with quick connect made from stainless steel for PVC fabric pressure hose Ø 6 mm (external diameter)
Medium:	clean air and non-aggressive, non-combustible gases
Media temperature:	-20...+50 °C
Accuracy:	Type 7112 (25 Pa): typically ±1 Pa Type 7110 (100 Pa): typically ±2 Pa Type 7111 (1000 Pa): typically ±5 Pa Type 7115 (5000 Pa): typically ±25 Pa compared to the calibrated reference device
Sum of linearity+hysteresis:	< ±1 % of final value ±2 % of final value for pressure ranges < ±250 Pa
Temp. drift values:	±0.1 % / °C ±0.3 % / °C for pressure ranges < 250 Pa
Zero point offset:	< ±0.7 % of final value ±1.4 % of final value for pressure ranges < 250 Pa
Positive/negative pressure:	max. ±100 hPa
Signal filtering:	switchable 1 s / 10 s (via DIP switches)
Output:	0 -10 V or 4...20 mA
Connection type:	2- or 3-wire connection
Electrical connection:	0.14-1.5 mm ² , via plug-in screw terminal
Cable connection:	cable gland , plastic (M 16 x 1.5; with strain relief, exchangeable, max. inner diameter 10.4 mm) or M12 connector (male, 5-pin, A-code) according to DIN EN 61076-2-101
Housing:	plastic , UV-resistant, material polyamide, 30 % glass-globe reinforced, with quick-locking screws (slotted/Phillips head combination), colour traffic white (similar to RAL 9016), cover for display is transparent!
Housing dimensions:	126 x 90 x 50 mm (Tyr 2)
Air humidity:	<95 % RH, non-precipitating air
Protection class:	III (according to EN 60 730)
Protection type:	IP 65 (according to EN 60 529) in the built-in state
Standards:	CE conformity according to EMC Directive 2014 / 30 / EU, according to EN 61326-1, according to EN 61326-2-3
Equipment:	display with illumination , three-line, cutout approx. 70 x 40 mm (W x H), to display the ACTUAL pressure as well as the automatic zero point calibration
ACCESSORIES	see table

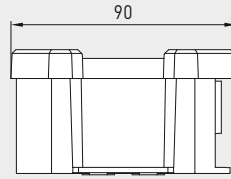
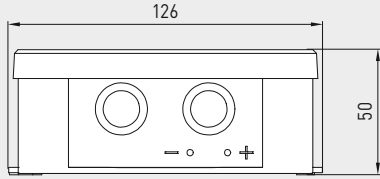


Pressure and differential pressure measuring transducers, including connection set, adjustable, calibratable, with multi-range switching and active output



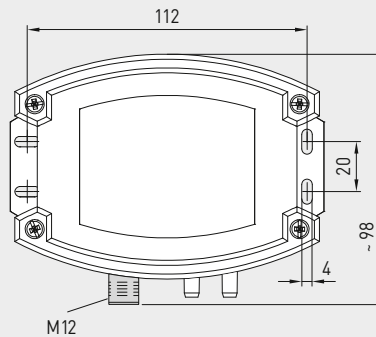
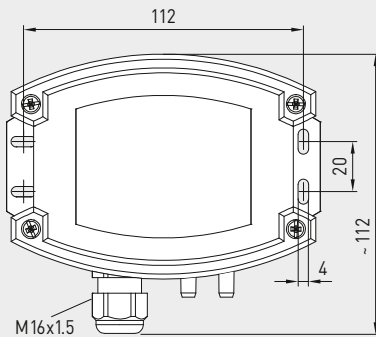
Dimensional drawing [mm]

PREMASGARD® 711x



Housing with cable gland equipped as standard with pressure port nozzles

Housing with M12 connector equipped as standard with pressure port nozzles



Pressure port for pressure hose (as standard)



M12 connector (male)

PREMASGARD® 711x with cable gland and display



PREMASGARD® 711x-Q with M12 connector and display

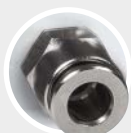
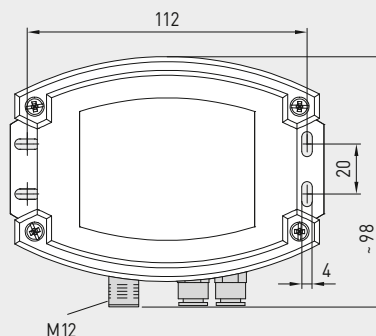
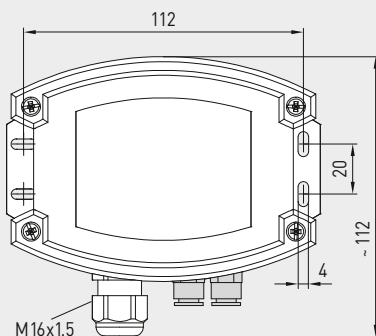


Dimensional drawing [mm]

PREMASGARD® 711x

Housing with cable gland optional on request with quick connect

Housing with M12 connector optional on request with quick connect



Pressure port for PVC/fabric pressure hose (optional)

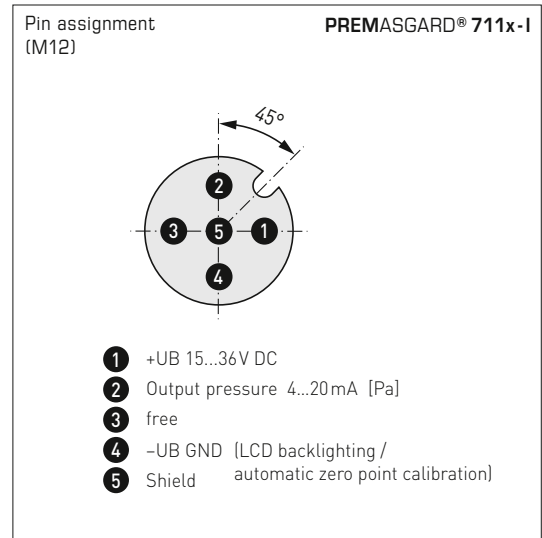
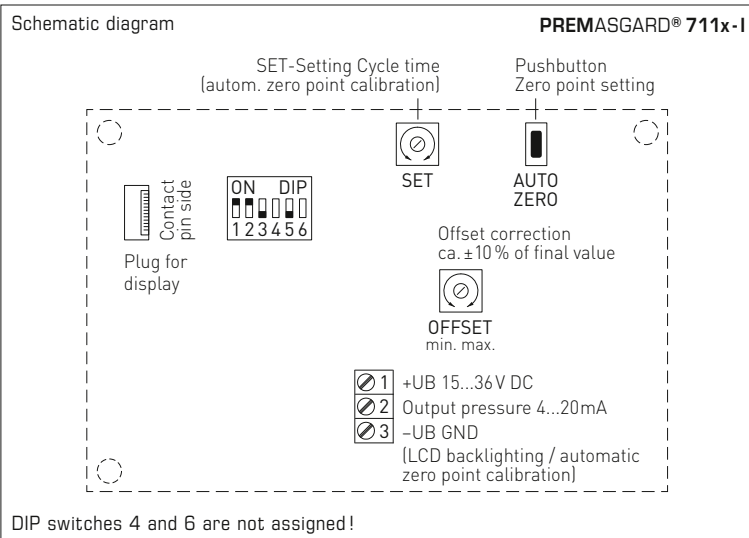
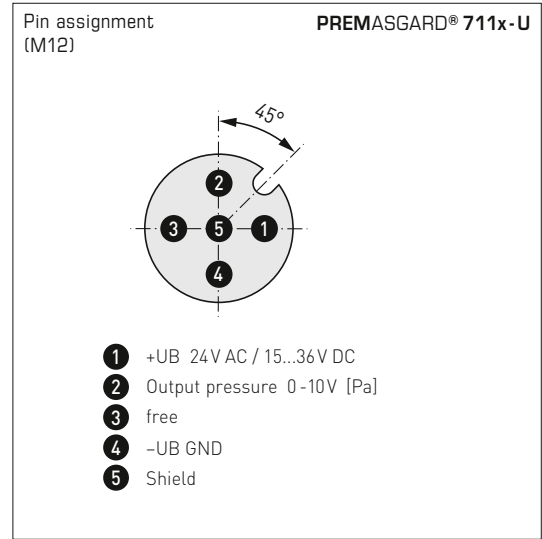
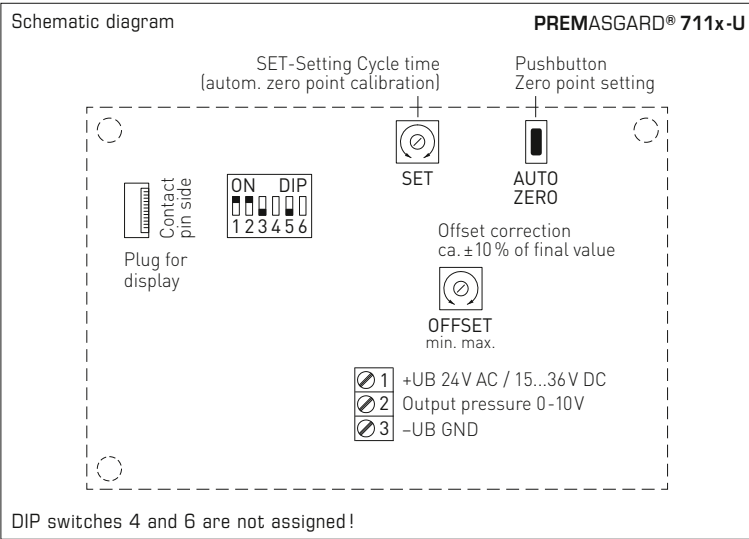


M12 connector (male)

Pressure port for PVC/fabric pressure hose (optional)



Pressure and differential pressure measuring transducers, including connection set, adjustable, calibratable, with multi-range switching and active output

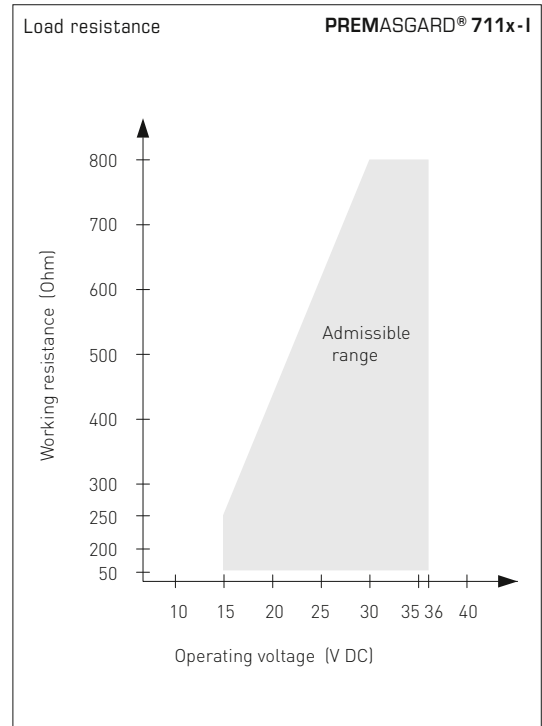


Display with option automatic zero point calibration

Standard
Actual pressure (in Pa)
Calibration interval (arrows)

Zero point calibration active
Remaining calibration time (in seconds)

Adjustment of zero point calibration
Cycle time (15 min to 24 hours) adjustable by potentiometer.





Pressure and differential pressure measuring transducers, including connection set, adjustable, calibratable, with multi-range switching and active output

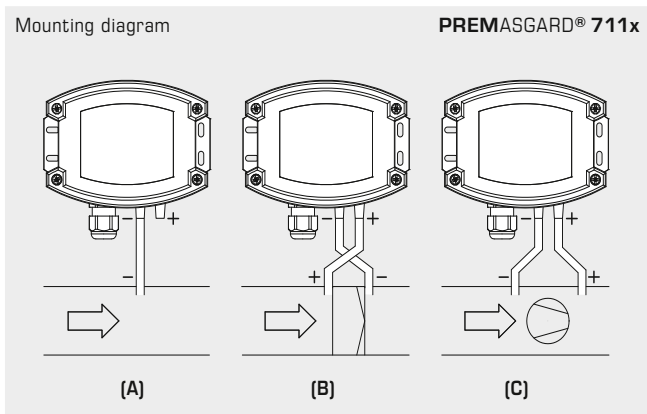
PREMASGARD® 711x-Q
with display,
hinged



Pressure range (selectable) – max. measuring range (default) is depending to the type of device								DIP 1	DIP 2
0...25 Pa	0...50 Pa	0...100 Pa	0...1000 Pa	-25...+25 Pa	-50...+50 Pa	-100...+100 Pa	-1000...+1000 Pa	OFF	OFF
-	-	0...300 Pa	0...2000 Pa	-	-	-300...+300 Pa	-2000...+2000 Pa	ON	OFF
-	-	0...500 Pa	0...3000 Pa	-	-	-500...+500 Pa	-3000...+3000 Pa	OFF	ON
0...25 Pa	0...100 Pa	0...1000 Pa	0...5000 Pa	-25...+25 Pa	-100...+100 Pa	-1000...+1000 Pa	-5000...+5000 Pa	ON	ON

Measuring range mode (Mode selectable)	DIP 3
Unidirectional (0...+MR) (default)	OFF
Bidirectional (-MR...+MR)	ON

Measurement signal filtering (Time interval selectable)	DIP 5
10 s (default)	OFF
1 s	ON



TYPES OF MONITORING:

(A) Below-atmospheric pressure:

P1 (+) is not connected
but open against atmosphere
P2 (-) connected to inside of duct

(B) Filter:

P1 (+) connected upstream of filter
P2 (-) connected downstream of filter

(C) Ventilator:

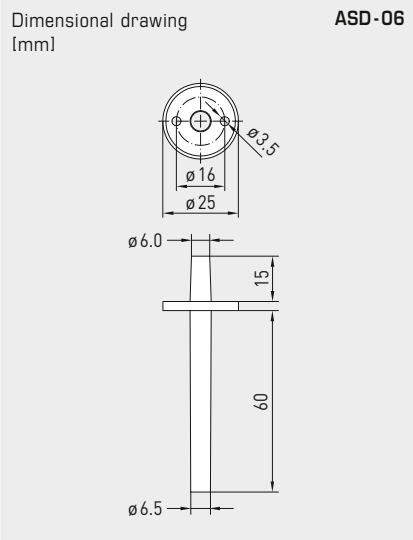
P1 (+) connected downstream of ventilator
P2 (-) connected upstream of ventilator

Pressure connections at the pressure switch are marked with P1 (+) for higher pressure and P2 (-) for lower pressure.

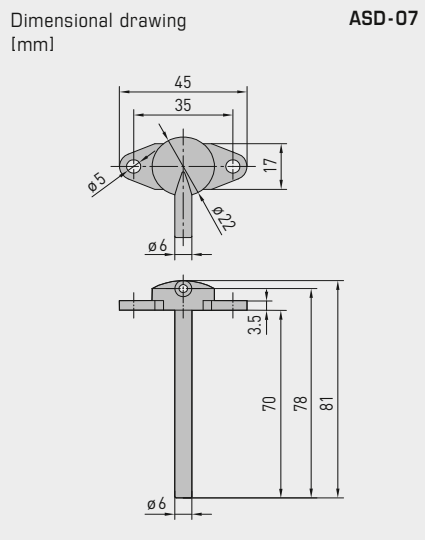
Conversion table for pressure values:

Unit =	bar	mbar	Pa	kPa	mWS
1 Pa	0,00001 bar	0,01 mbar	1 Pa	0,001 kPa	0,000101971 mWS
1 kPa	0,01 bar	10 mbar	1000 Pa	1 kPa	0,101971 mWS
1 bar	1 bar	1000 mbar	100000 Pa	100 kPa	10,1971 mWS
1 mbar	0,001 bar	1 mbar	100 Pa	0,1 kPa	0,0101971 mWS
1 mWS	0,0980665 bar	98,0665 mbar	9806,65 Pa	9,80665 kPa	1 mWS

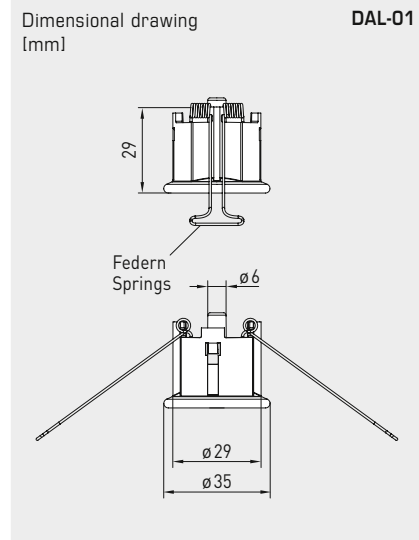
Pressure and differential pressure measuring transducers, including connection set, adjustable, calibratable, with multi-range switching and active output



ASD-06
Connection set



ASD-07
Connection nipple



DAL-01
Pressure outlet



WS-03
Weather and sun protection hood (optional)

Pressure port for pressure hose (as standard)



Pressure port for PVC/fabric pressure hose (optional)



ACCESSORIES

ASD-06	Connection set (included in the scope of delivery) , consisting of 2 connection nipples (straight) made of ABS, 2 m PVC hose (soft, UV-resistant) and 4 screws	7100-0060-3000-000	7,87 €
ASD-07	2 connection nipples (at 90 degree angle) made of plastic, ABS	7100-0060-7000-000	7,87 €
DAL-01	Pressure outlet for ceiling or in-wall installation (e.g. in clean rooms)	7300-0060-3000-001	36,84 €
WS-03	Weather and sun protection hood , 200 x 180 x 150 mm, stainless steel V2A (1.4301)	7100-0040-6000-000	46,08 €

For further information, see chapter Accessories!



S+S REGELTECHNIK

PREMASGARD® 711x

Pressure and differential pressure measuring transducers, including connection set, adjustable, calibratable, with multi-range switching and active output

PREMASGARD® 711x-Q
with M12 connector



PREMASGARD® 711x
with cable gland



PREMASGARD® 711x		Pressure and differential pressure measuring transducers, <i>Deluxe</i>			
Pressure range (adjustable)	Type / WG02	Output	Display ● = Q	Item No.	Price
max. - 1000...+ 1000 Pa		Type 7111			
0... 100 Pa / - 100... + 100 Pa	PREMASGARD 7111-U	0-10V		1301-7111-0010-200	173,13 €
0... 300 Pa / - 300... + 300 Pa	PREMASGARD 7111-U LCD	0-10V	■	1301-7111-4010-200	242,89 €
0... 500 Pa / - 500... + 500 Pa	PREMASGARD 7111-I	4...20mA		1301-7112-0010-100	173,13 €
0... 1000 Pa / -1000... + 1000 Pa	PREMASGARD 7111-I LCD	4...20mA	■	1301-7112-4010-100	242,89 €
	PREMASGARD 7111-U Q	0-10V	●	2004-6131-1100-001	216,32 €
	PREMASGARD 7111-U Q LCD	0-10V	● ■	2004-6132-1100-001	286,07 €
	PREMASGARD 7111-I Q	4...20mA	●	2004-6131-2100-001	216,32 €
	PREMASGARD 7111-I Q LCD	4...20mA	● ■	2004-6132-2100-001	286,07 €
max. - 5000...+ 5000 Pa		Type 7115			
0... 1000 Pa / - 1000... + 1000 Pa	PREMASGARD 7115-U	0-10V		1301-7111-0050-200	173,13 €
0... 2000 Pa / - 2000... + 2000 Pa	PREMASGARD 7115-U LCD	0-10V	■	1301-7111-4050-200	242,89 €
0... 3000 Pa / - 3000... + 3000 Pa	PREMASGARD 7115-I	4...20mA		1301-7112-0050-100	173,13 €
0... 5000 Pa / - 5000... + 5000 Pa	PREMASGARD 7115-I LCD	4...20mA	■	1301-7112-4050-100	242,89 €
	PREMASGARD 7115-U Q	0-10V	●	2004-6131-1100-011	216,32 €
	PREMASGARD 7115-U Q LCD	0-10V	● ■	2004-6132-1100-021	286,07 €
	PREMASGARD 7115-I Q	4...20mA	●	2004-6131-2100-011	216,32 €
	PREMASGARD 7115-I Q LCD	4...20mA	● ■	2004-6132-2100-011	286,07 €
max. - 100...+ 100 Pa		Type 7110			
0... +50 Pa / -50... +50 Pa	PREMASGARD 7110-U	0-10V		1301-7111-0110-200	217,98 €
0...+100 Pa / -100...+100 Pa	PREMASGARD 7110-U LCD	0-10V	■	1301-7111-4110-200	280,26 €
	PREMASGARD 7110-I	4...20mA		1301-7112-0110-100	217,98 €
	PREMASGARD 7110-I LCD	4...20mA	■	1301-7112-4110-100	280,26 €
	PREMASGARD 7110-U Q	0-10V	●	2004-6131-1100-021	261,16 €
	PREMASGARD 7110-U Q LCD	0-10V	● ■	2004-6132-1100-031	323,43 €
	PREMASGARD 7110-I Q	4...20mA	●	2004-6131-2100-021	261,16 €
	PREMASGARD 7110-I Q LCD	4...20mA	● ■	2004-6132-2100-021	323,43 €
max. - 25...+ 25 Pa		Type 7112			
0... +25 Pa / -25... +25 Pa	PREMASGARD 7112-U	0-10V		1301-7111-0370-200	279,01 €
	PREMASGARD 7112-U LCD	0-10V	■	1301-7111-4370-200	330,34 €
	PREMASGARD 7112-I	4...20mA		1301-7112-0370-200	279,01 €
	PREMASGARD 7112-I LCD	4...20mA	■	1301-7112-4370-200	330,34 €
	PREMASGARD 7112-U Q	0-10V	●	2004-6131-1100-031	322,20 €
	PREMASGARD 7112-U Q LCD	0-10V	● ■	2004-6132-1100-011	373,52 €
	PREMASGARD 7112-I Q	4...20mA	●	2004-6131-3100-001	322,20 €
	PREMASGARD 7112-I Q LCD	4...20mA	● ■	2004-6132-3100-011	373,52 €
Housing variant "Q":	Cable connection with M12 connector (male, 5-pin , A-code)				
Multi-range switching:	The pressure ranges depend on the device type and can be set via DIP switches.				
Extra charge:	Other special measuring ranges up to max. 5000 Pa with optional automatic zero point calibration with optional quick connect for PVC fabric pressure hose Ø 6 mm				
				51,32 €	
				74,74 €	
				43,20 €	

Pressure and differential pressure measuring transducers, adjustable, calibratable, with multi-range switching and active output

The calibratable pressure sensors **PREMASGARD® 711x-VA** (series) with eight switchable measuring ranges (eight devices in one), **stainless steel V4A** housing, optionally with /without display, with cable gland or M12 connector according to DIN EN 61076-2-101 and pressure port using quick connect (pipe fitting optional) are used to measure positive, negative or differential pressures in air. The piezoresistive measuring element is temperature-compensated and guarantees a high degree of reliability and accuracy.

Applications of these pressure sensors are in clean room, medical and filter technology, in ventilation and air conditioning ducts, in spray booths, in large-scale catering facilities, for filter monitoring and level measurement or for triggering frequency converters. Media measured with these pressure transducers are air (non-precipitating), or other gaseous, non-aggressive, non-combustible media.

The pressure sensor has a button for manual zero point calibration (automatic zero point calibration optional/standard for 25 Pa) and an offset potentiometer for final value correction. The sensor is factory-calibrated; an environmental precision adjustment by an expert is possible.

PREMASGARD® 711x-VA
with cable gland



PREMASGARD® 711x-VAQ
with M12 connector



Pressure port for PVC / fabric pressure hose (as standard)



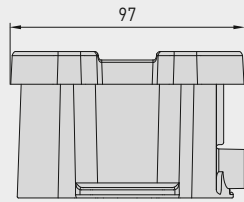
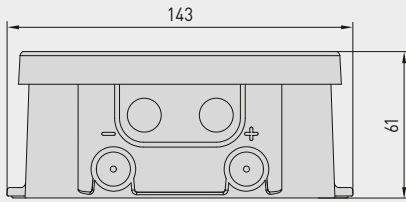
TECHNICAL DATA

Power supply:	24 V AC (±20%); 15...36 V DC for U variant 15...36 V DC for I variant, depending on working resistance, residual ripple stabilised ±0.3V
Working resistance:	$R_a(\text{Ohm}) = (U_b - 14 \text{ V}) / 0.02 \text{ A}$ for I variant, see working resistance diagram
Load resistance:	$R_L > 5 \text{ kOhm}$ for U variant
Power consumption:	< 2 VA / 24 V DC, < 3.5 VA / 24 V AC
Measuring ranges:	multi-range switching with 8 switchable measuring ranges (see table)
Type of pressure:	differential pressure
Pressure port:	with quick connect made from stainless steel for PVC/fabric pressure hose Ø 6 mm (external diameter) optionally with pipe fitting made from stainless steel V2A (1.4305) for pressure lines Ø 6 mm
Medium:	clean air and non-aggressive, non-combustible gases
Media temperature:	-20...+50 °C
Accuracy:	Type 7112 (25 Pa): typically ± 1 Pa Type 7110 (100 Pa): typically ± 2 Pa Type 7111 (1000 Pa): typically ± 5 Pa Type 7115 (5000 Pa): typically ± 25 Pa compared to the calibrated reference device
Sum of linearity+hysteresis:	< ± 1 % of final value ± 2 % of final value for pressure ranges < ± 250 Pa
Temp. drift values:	± 0.1 % / °C ± 0.3 % / °C for pressure ranges < 250 Pa
Zero point offset:	< ± 0.7 % of final value ± 1.4 % of final value for pressure ranges < 250 Pa
Positive /negative pressure:	max. ± 100 hPa
Signal filtering:	switchable 1 s / 10 s (via DIP switches)
Output:	0 -10 V or 4...20 mA
Connection type:	2- or 3-wire connection
Electrical connection:	0.14 -1.5 mm², via plug-in screw terminal
Cable connection:	cable gland, stainless steel V2A (1.4305) (M20 x 1.5; with strain relief, exchangeable, inner diameter 6 - 12 mm) or M12 connector (male, 5-pin, A-code) according to DIN EN 61076-2-101
Housing:	stainless steel V4A (1.4571), with non-distortion cover bolting, impact-resistant, high EMI shielding, corrosion, temperature, weather- and UV-resistant
Housing dimensions:	143 x 97 x 61 mm (Tyr 2E)
Air humidity:	<95 % RH, non-precipitating air
Protection class:	III (according to EN 60730)
Protection type:	IP 65 (according to EN 60529) in the built-in state Housing tested, TÜV SÜD, Report No. 713160960B (Skadi2)
Standards:	CE conformity according to EMC Directive 2014 / 30 / EU, according to EN 61326-1, according to EN 61326-2-3
Equipment:	display with illumination , three-line, cutout approx. 70 x 40 mm (W x H), to display the ACTUAL pressure as well as the automatic zero point calibration
ACCESSORIES	(see table)



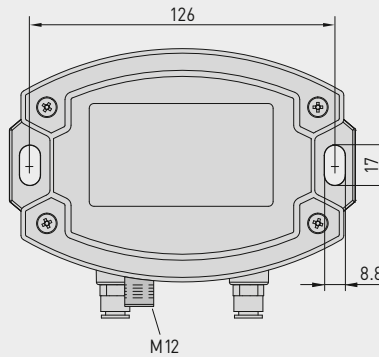
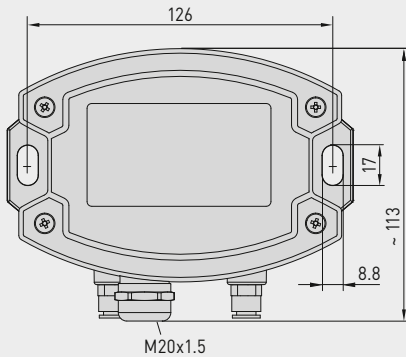
Dimensional drawing [mm]

PREMASGARD® 711x-VA



Housing with cable gland equipped as standard with quick connect for pressure hoses

Housing with M12 connector equipped as standard with quick connect for pressure hoses



Pressure port for PVC / fabric pressure hose (as standard)



M12 connector (male)

PREMASGARD® 711x-VA with cable gland and display



PREMASGARD® 711x-VAQ with M12 connector and display

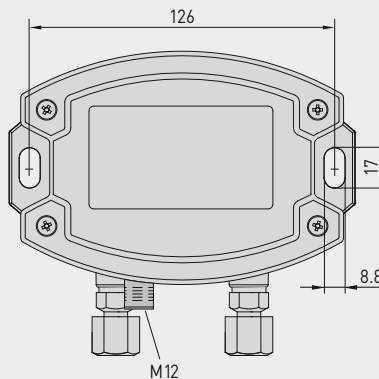
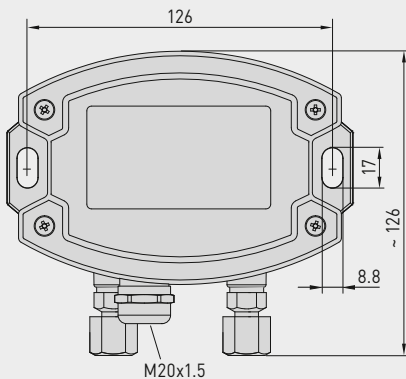


Dimensional drawing [mm]

PREMASGARD® 711x-VA

Housing with cable gland optional on request with pipe fitting for pressure lines

Housing with M12 connector optional on request with pipe fitting for pressure lines



Pressure port for pressure lines / pipes (optional)

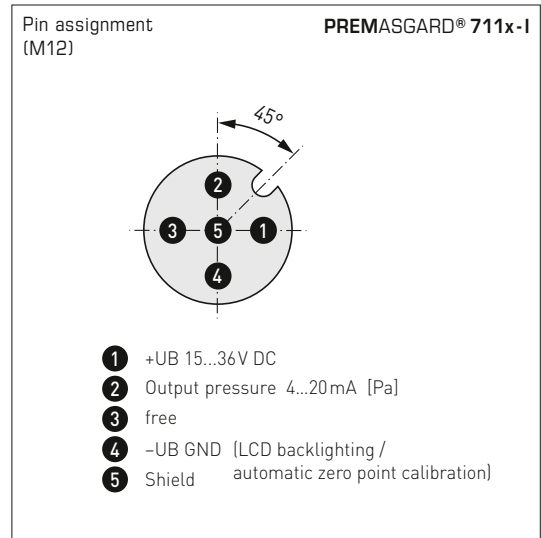
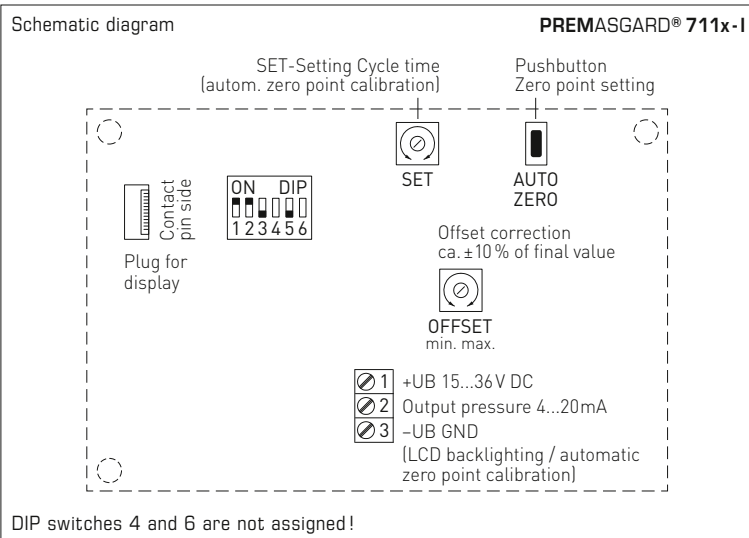
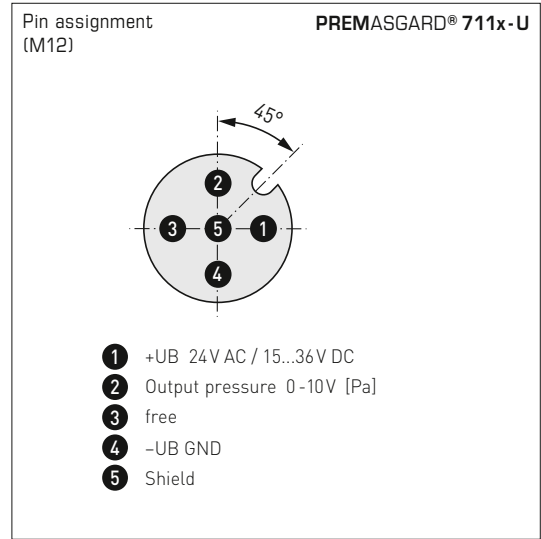
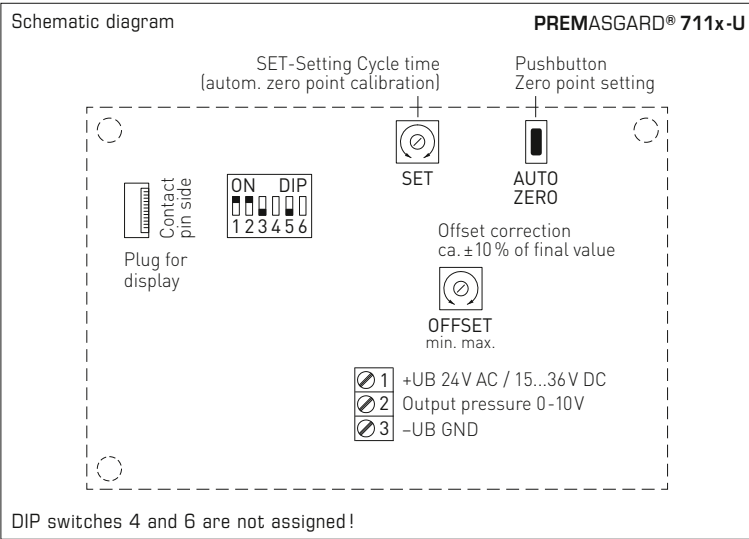


M12 connector (male)

Pressure port for pressure lines / pipes (optional)



Pressure and differential pressure measuring transducers,
adjustable, calibratable,
with multi-range switching and active output

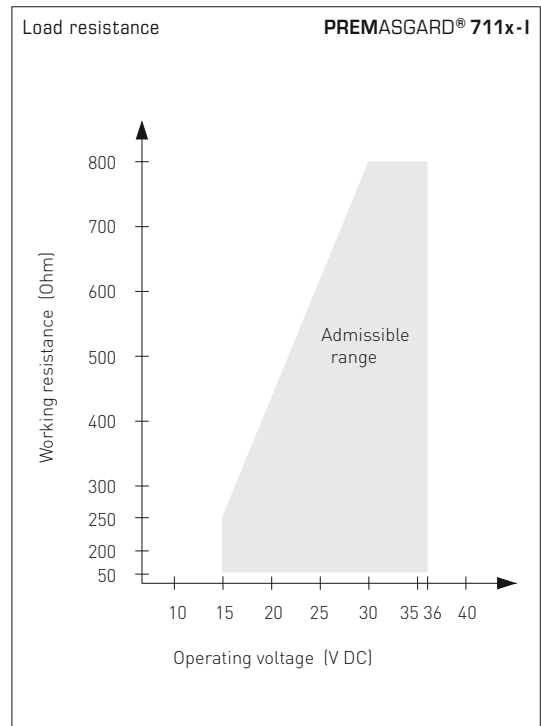


Display with option automatic zero point calibration

Standard
Actual pressure (in Pa)
Calibration interval (arrows)

Zero point calibration active
Remaining calibration time (in seconds)

Adjustment of zero point calibration
Cycle time (15 min to 24 hours) adjustable by potentiometer.





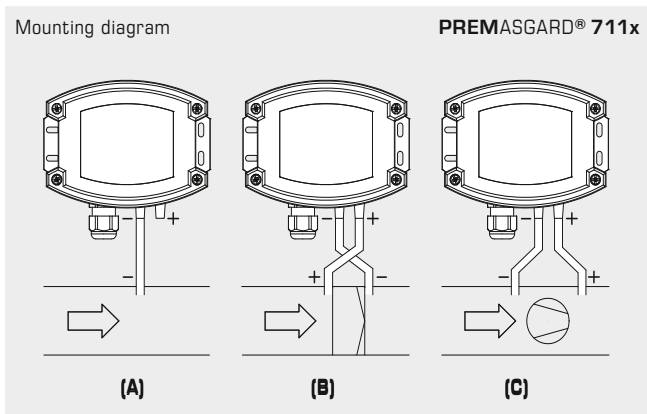
PREMASGARD® 711x-VAQ
with display,
hinged



Pressure range (selectable) – max. measuring range (default) is depending to the type of device								DIP 1	DIP 2
0...25 Pa	0...50 Pa	0...100 Pa	0...1000 Pa	-25...+25 Pa	-50...+50 Pa	-100...+100 Pa	-1000...+1000 Pa	OFF	OFF
-	-	0...300 Pa	0...2000 Pa	-	-	-300...+300 Pa	-2000...+2000 Pa	ON	OFF
-	-	0...500 Pa	0...3000 Pa	-	-	-500...+500 Pa	-3000...+3000 Pa	OFF	ON
0...25 Pa	0...100 Pa	0...1000 Pa	0...5000 Pa	-25...+25 Pa	-100...+100 Pa	-1000...+1000 Pa	-5000...+5000 Pa	ON	ON

Measuring range mode (Mode selectable)	DIP 3
Unidirectional (0...+MR) (default)	OFF
Bidirectional (-MR...+MR)	ON

Measurement signal filtering (Time interval selectable)	DIP 5
10 s (default)	OFF
1 s	ON



TYPES OF MONITORING:

- (A) Below-atmospheric pressure:**
P1 (+) is not connected
but open against atmosphere
P2 (-) connected to inside of duct
- (B) Filter:**
P1 (+) connected upstream of filter
P2 (-) connected downstream of filter
- (C) Ventilator:**
P1 (+) connected downstream of ventilator
P2 (-) connected upstream of ventilator

Pressure connections at the pressure switch are marked with P1 (+) for higher pressure and P2 (-) for lower pressure.

Conversion table for pressure values:

Unit =	bar	mbar	Pa	kPa	mWS
1 Pa	0,00001 bar	0,01 mbar	1 Pa	0,001 kPa	0,000101971 mWS
1 kPa	0,01 bar	10 mbar	1000 Pa	1 kPa	0,101971 mWS
1 bar	1 bar	1000 mbar	100000 Pa	100 kPa	10,1971 mWS
1 mbar	0,001 bar	1 mbar	100 Pa	0,1 kPa	0,0101971 mWS
1 mWS	0,0980665 bar	98,0665 mbar	9806,65 Pa	9,80665 kPa	1 mWS

Pressure and differential pressure measuring transducers,
adjustable, calibratable,
with multi-range switching and active output

PREMASGARD® 711x-VAQ
with M12 connector



PREMASGARD® 711x-VAQ		Pressure and differential pressure measuring transducer, ID Stainless steel housing with M12 connector			
Pressure range (adjustable)	Type / WG02I	Output	Display ● = Q	Item No.	Price
max. - 1000...+ 1000 Pa		Type 7111			
0... 100 Pa / - 100... + 100 Pa	PREMASGARD 7111-U VAQ	0-10 V	●	2004-6191-1100-001	575,50 €
0... 300 Pa / - 300... + 300 Pa	PREMASGARD 7111-U VAQ LCD	0-10 V	● ■	2004-6192-1100-001	762,42 €
0... 500 Pa / - 500... + 500 Pa	PREMASGARD 7111-I VAQ	4...20 mA	●	2004-6191-2100-001	575,50 €
0... 1000 Pa / -1000... + 1000 Pa	PREMASGARD 7111-I VAQ LCD	4...20 mA	● ■	2004-6192-2100-001	762,42 €
max. - 5000...+ 5000 Pa		Type 7115			
0... 1000 Pa / - 1000... + 1000 Pa	PREMASGARD 7115-U VAQ	0-10 V	●	2004-6191-1100-011	575,50 €
0... 2000 Pa / -2000... + 2000 Pa	PREMASGARD 7115-U VAQ LCD	0-10 V	● ■	2004-6192-1100-011	762,42 €
0... 3000 Pa / -3000... + 3000 Pa	PREMASGARD 7115-I VAQ	4...20 mA	●	2004-6191-2100-011	575,50 €
0... 5000 Pa / -5000... + 5000 Pa	PREMASGARD 7115-I VAQ LCD	4...20 mA	● ■	2004-6192-2100-011	762,42 €
max. - 100...+ 100 Pa		Type 7110			
0... +50 Pa / -50... +50 Pa	PREMASGARD 7110-U VAQ	0-10 V	●	2004-6191-1100-021	639,72 €
0...+100 Pa / -100...+100 Pa	PREMASGARD 7110-U VAQ LCD	0-10 V	● ■	2004-6192-1100-021	818,47 €
	PREMASGARD 7110-I VAQ	4...20 mA	●	2004-6191-2100-021	639,72 €
	PREMASGARD 7110-I VAQ LCD	4...20 mA	● ■	2004-6192-2100-021	818,47 €
max. - 25...+ 25 Pa		Type 7112			
0... +25 Pa / -25... +25 Pa	PREMASGARD 7112-U VAQ	0-10 V	●	2004-6191-1100-031	731,27 €
<i>equipped as standard with automatic zero point calibration (3-wire connection)</i>	PREMASGARD 7112-U VAQ LCD	0-10 V	● ■	2004-6192-1100-031	893,58 €
	PREMASGARD 7112-I VAQ	4...20 mA	●	2004-6191-3100-001	731,27 €
	PREMASGARD 7112-I VAQ LCD	4...20 mA	● ■	2004-6192-3100-001	893,58 €
Housing variant "Q":		Cable connection with M12 connector (male, 5-pin, A-code)			
Multi-range switching:	The pressure ranges depend on the device type and can be set via DIP switches.				
Extra charge:	Other special measuring ranges up to max. 5000 Pa with optional automatic zero point calibration with optional pipe fitting made from stainless steel V2A for pressure lines Ø 6 mm				51,32 € 74,74 € 43,20 €

ACCESSORIES

xx-M12 Special accessories for M12 connector

For further information, see chapter Accessories!



PREMASGARD® 711x-VA		Pressure and differential pressure measuring transducer, ID Stainless steel housing with cable gland			
Pressure range (adjustable)	Type / WG02I	Output	Display	Item No.	Price
max. - 1000...+ 1000 Pa		Type 7111			
0... 100 Pa / - 100... + 100 Pa	PREMASGARD 7111-U VA	0-10V		2004-6191-1200-001	538,87 €
0... 300 Pa / - 300... + 300 Pa	PREMASGARD 7111-U VA LCD	0-10V	■	2004-6192-1200-001	722,72 €
0... 500 Pa / - 500... + 500 Pa	PREMASGARD 7111-I VA	4...20mA		2004-6191-2200-001	538,87 €
0... 1000 Pa / -1000... + 1000 Pa	PREMASGARD 7111-I VA LCD	4...20mA	■	2004-6192-2200-001	722,72 €
max. - 5000...+ 5000 Pa		Type 7115			
0...1000 Pa / - 1000 ... + 1000 Pa	PREMASGARD 7115-U VA	0-10V		2004-6191-1200-011	538,87 €
0...2000 Pa / -2000 ... +2000 Pa	PREMASGARD 7115-U VA LCD	0-10V	■	2004-6192-1200-011	722,72 €
0...3000 Pa / -3000 ... +3000 Pa	PREMASGARD 7115-I VA	4...20mA		2004-6191-2200-011	538,87 €
0...5000 Pa / -5000 ... + 5000 Pa	PREMASGARD 7115-I VA LCD	4...20mA	■	2004-6192-2200-011	722,72 €
max. - 100...+ 100 Pa		Type 7110			
0... +50 Pa / -50... +50 Pa	PREMASGARD 7110-U VA	0-10V		2004-6191-1200-021	600,02 €
0...+100 Pa / -100...+100 Pa	PREMASGARD 7110-U VA LCD	0-10V	■	2004-6192-1200-021	778,76 €
	PREMASGARD 7110-I VA	4...20mA		2004-6191-2200-021	600,02 €
	PREMASGARD 7110-I VA LCD	4...20mA	■	2004-6192-2200-021	778,76 €
max. - 25...+ 25 Pa		Type 7112			
0... +25 Pa / -25... +25 Pa	PREMASGARD 7112-U VA	0-10V		2004-6191-1200-031	691,57 €
<i>equipped as standard with automatic zero point calibration (3-wire connection)</i>	PREMASGARD 7112-U VA LCD	0-10V	■	2004-6192-1200-031	853,89 €
	PREMASGARD 7112-I VA	4...20mA		2004-6191-3200-001	691,57 €
	PREMASGARD 7112-I VA LCD	4...20mA	■	2004-6192-3200-001	853,89 €
Housing variant:	Cable connection with cable gland made from stainless steel V2A (1.4305)				
Multi-range switching:	The pressure ranges depend on the device type and can be set via DIP switches.				
Extra charge:	Other special measuring ranges up to max. 5000 Pa with optional automatic zero point calibration with optional pipe fitting made from stainless steel V2A for pressure lines Ø 6 mm				51,32 € 74,74 € 43,20 €



Pressure port for
PVC / fabric pressure hose
(as standard)



Pressure port
for pressure lines / pipes
(optional)

Dual pressure sensor (2 measuring channels), pressure and differential pressure measuring transducer, incl. connection set, calibratable, with multi-range switching and active output (Automatic Output Switching)

Patented quality product (patent no. DE 10 2015 015 941 B4)

Calibratable dual pressure sensor **PREMASGARD® 722x** (series) with 2 x 8 switchable measuring ranges, 2 automated output signals (32 devices in one), housing with pressure connection nozzle from impact-resistant plastic, optionally with/without display, with cable gland or M12 connector acc. to DIN EN 61076-2-101 for measuring overpressure, underpressure or differential pressure of the air. The pressure measuring transducer automatically detects the required output type and converts the measurands into the required standard signal of 0-10 V or 4...20 mA (**Automatic Output Switching**).

It is used in the clean room, medical and filter technology, ventilation and air conditioning ducts, spray booths, large-scale catering facilities, for filter monitoring and level measurement or for triggering frequency converters. Media measured with this pressure measuring transducer are clean air (non-precipitating), or other gaseous, non-aggressive, non-combustible media.

Both pressure sensors with piezoresistive measuring element are temperature-compensated and guarantee a high level of reliability and accuracy. The device has a push-button for manual zero point matching as well as an offset potentiometer for correcting the final value. The sensor is factory-calibrated; an environmental precision adjustment by an expert is possible. The delivery includes a connection set **ASD-06** (2 m connection hose, two pressure connection nipples, screws).

PREMASGARD® 722x
with cable gland



PREMASGARD® 722x-Q
with M12 connector



Dual pressure connection
Housing with cable gland



TECHNICAL DATA

Power supply:	24 V AC/DC (± 10%)
Working resistance:	R _a (ohms) = 25...450 Ohm (at I output)
Load resistance:	R _L > 15 kOhm (at U output)
Power consumption:	< 2 W / 24 V DC; < 4.4 VA / 24 V AC
Pressure type:	differential pressure (2 measuring channels)
Measuring ranges:	Multi-range switching with 2 x 8 switchable measuring ranges (see table)
Accuracy:	Type 722x (500 Pa): typical ± 13 Pa Type 722x (7000 Pa): typical ± 105 Pa compared to a calibrated reference device
Pressure connection:	with connection nozzle for pressure hose Ø 6 mm
Medium:	clean air and non-aggressive, non-combustible gases
Media temperature:	-20...+50 °C (temperature-compensated 0...+50 °C)
Temp. drift values:	± 0.1 % / °C final value
Zero point offset:	± 10 % measuring range
Above- / below-pressure:	± 50 kPa
Signal filtering:	switchable 1 s / 10 s (via DIP switch)
Output:	automatically 0-10 V / 4...20 mA (via Automatic Output Switching – the device detects the required output type and automatically switches to U or I output)
Switching type:	3-wire connection
electrical connection:	0.2–1.5 mm ² , via push-in clamp
Cable connection:	cable gland from plastic (M 16 x 1.5; with strain relief, exchangeable, max. inner diameter 10.4 mm) or M12 connector (male, 5-pin, A-code) according to DIN EN 61076-2-101
Housing:	plastic, UV-resistant, polyamide material, 30 % glass-globe reinforced, with quick-locking screws (slotted / Philips head combination), colour traffic white (similar to RAL 9016), housing cover for display is transparent!
Housing dimensions:	126 x 90 x 50 mm (Tyr 2)
Humidity:	< 95 % RH, non-precipitating air
Protection class:	III (according to EN 60730)
Safety class:	IP 65 (according to EN 60529) in the built-in state
Standards:	CE conformity, electro-magnetic compatibility according to EN 61326, EMC Directive 2014 / 30 / EU
Features:	Illuminated display , 3 lines, cut-out approx. 70 x 40 mm (W x H), to display the ACTUAL pressure of both channels (cyclical)
ACCESSORIES	see table

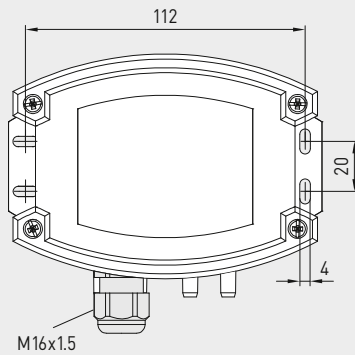
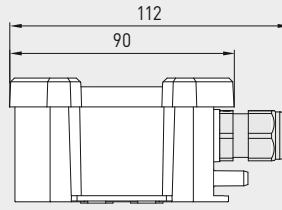
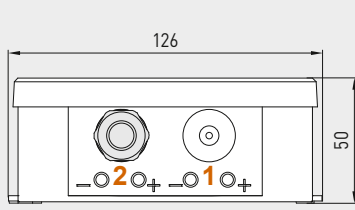


Dual pressure sensor (2 measuring channels), pressure and differential pressure measuring transducer, incl. connection set, calibratable, with multi-range switching and active output (Automatic Output Switching)



Dimensional drawing [mm]

PREMASGARD® 722x



Housing with dual pressure connection (2 measuring channels) and cable gland

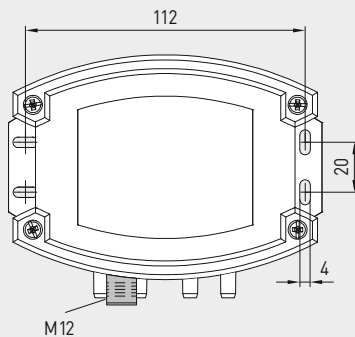
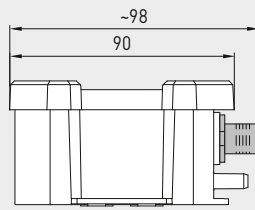
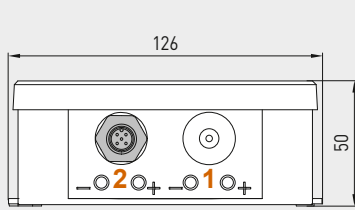
PREMASGARD® 722x with cable gland and display



PREMASGARD® 722x-Q with M12 connector and display

Dimensional drawing [mm]

PREMASGARD® 722x-Q



Housing with dual pressure connection (2 measuring channels) and M12 connector (male)



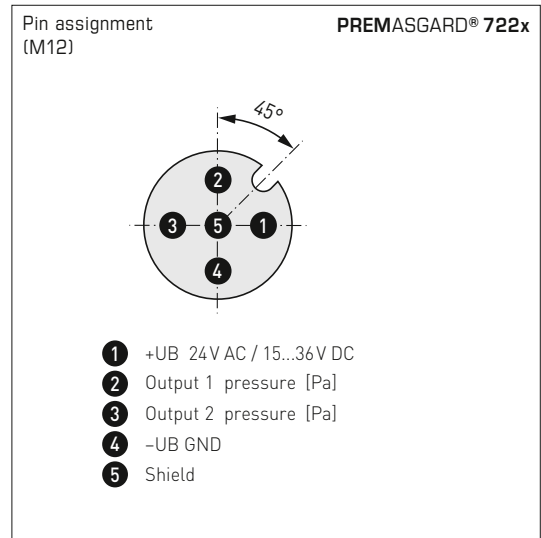
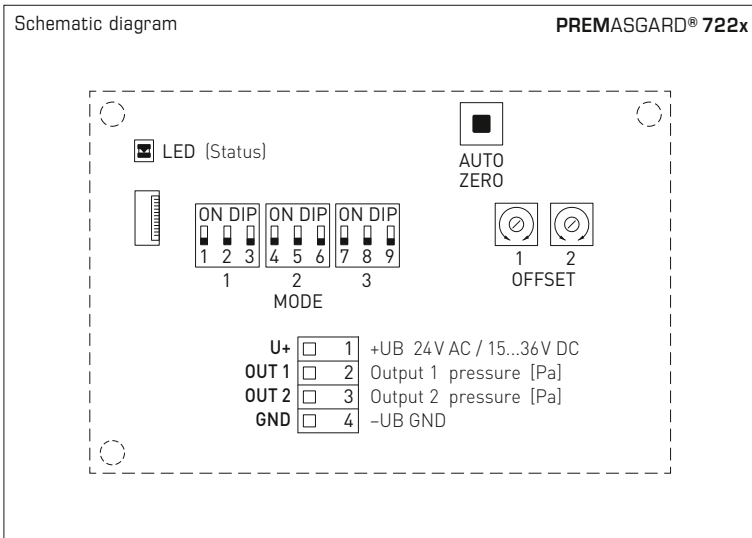
Dual pressure connection Housing with M12 connector



Automatic detection and switching to standard signal 0...10V or 4...20mA

AOS-PATENTED
AUTOMATIC OUTPUT SWITCHING

Dual pressure sensor (2 measuring channels),
pressure and differential pressure measuring transducer,
incl. connection set, calibratable, with multi-range switching
and active output (Automatic Output Switching)



Pressure range adjustable depending on type	
max. ±500 Pa	max. ±7000 Pa
0...+100 Pa	0...+1000 Pa
0...+200 Pa	0...+3000 Pa
0...+300 Pa	0...+5000 Pa
0...+500 Pa	0...+7000 Pa
-100...+100 Pa	-1000...+1000 Pa
-200...+200 Pa	-3000...+3000 Pa
-300...+300 Pa	-5000...+5000 Pa
-500...+500 Pa	-7000...+7000 Pa

Measuring channel 1			Measuring channel 2		
DIP 1	DIP 2	DIP 3	DIP 4	DIP 5	DIP 6
OFF	OFF	OFF	OFF	OFF	OFF
ON	OFF	OFF	ON	OFF	OFF
OFF	ON	OFF	OFF	ON	OFF
ON	ON	OFF	ON	ON	OFF
OFF	OFF	ON	OFF	OFF	ON
ON	OFF	ON	ON	OFF	ON
OFF	ON	ON	OFF	ON	ON
ON	ON	ON	ON	ON	ON

Mode Measurement signal filtering	
Selectable time interval	DIP 7
10s (default)	OFF
1s	ON

Note:
DIP 8 and 9 are not defined!

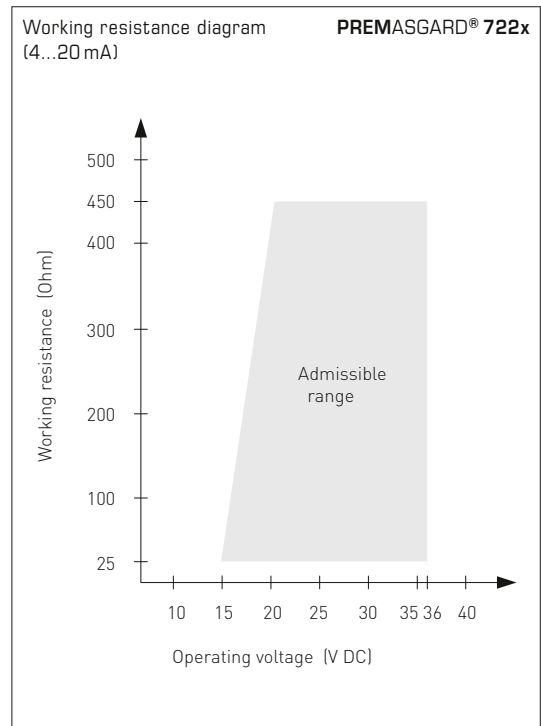
Displays **PREMASGARD® 722x**

Default display
Measured value

Actual pressure [Pa] of both channels is shown cyclically (Interval approx. 6 seconds).
The associated measuring channel is shown on the bottom left.

Status display
zero point calibration

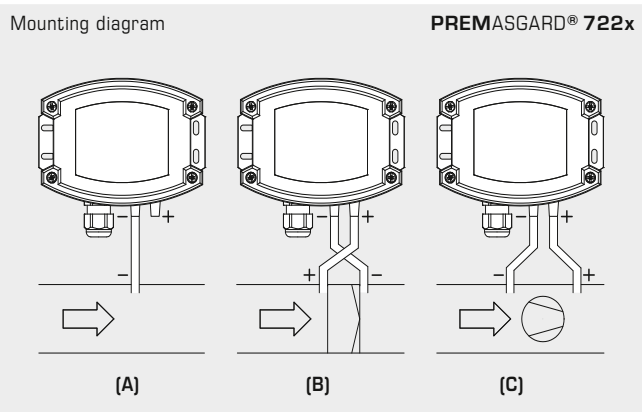
Remaining calibration time is shown (in seconds).
Change from "AUTO 0" to "PROG 0" shows that matching was correct.





Dual pressure sensor (2 measuring channels), pressure and differential pressure measuring transducer, incl. connection set, calibratable, with multi-range switching and active output (Automatic Output Switching)

PREMASGARD® 722x-Q with display, hinged



TYPES OF MONITORING:

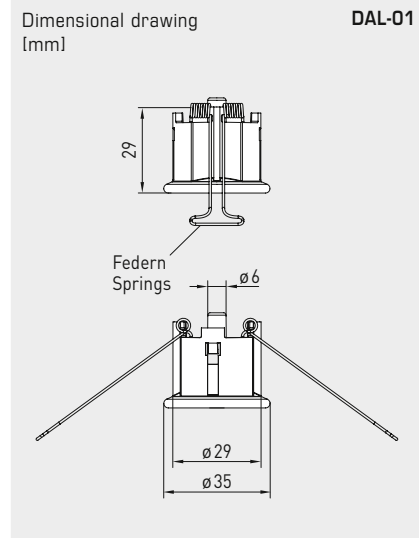
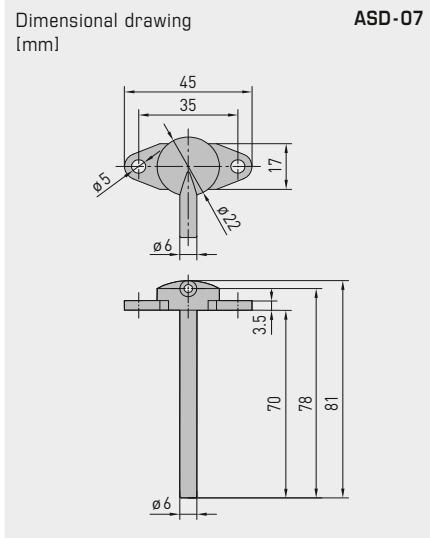
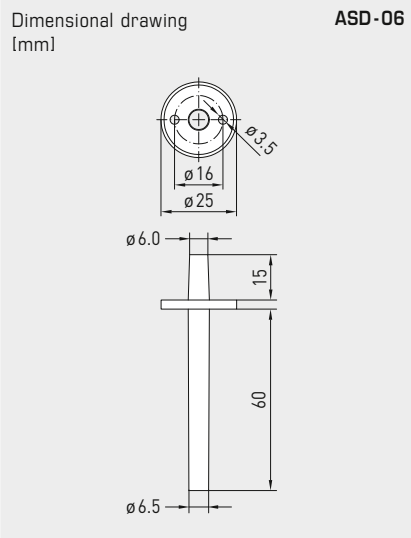
- (A) **Below-atmospheric pressure:**
P1 (+) is not connected but open against atmosphere
P2 (-) connected to inside of duct
- (B) **Filter:**
P1 (+) connected upstream of filter
P2 (-) connected downstream of filter
- (C) **Ventilator:**
P1 (+) connected downstream of ventilator
P2 (-) connected upstream of ventilator

Pressure connections at the pressure switch are marked with P1 (+) for higher pressure and P2 (-) for lower pressure.

Conversion table for pressure values:

Unit =	bar	mbar	Pa	kPa	mWS
1 Pa	0,00001 bar	0,01 mbar	1 Pa	0,001 kPa	0,000101971 mWS
1 kPa	0,01 bar	10 mbar	1000 Pa	1 kPa	0,101971 mWS
1 bar	1 bar	1000 mbar	100000 Pa	100 kPa	10,1971 mWS
1 mbar	0,001 bar	1 mbar	100 Pa	0,1 kPa	0,0101971 mWS
1 mWS	0,0980665 bar	98,0665 mbar	9806,65 Pa	9,80665 kPa	1 mWS

Dual pressure sensor (2 measuring channels),
pressure and differential pressure measuring transducer,
incl. connection set, calibratable, with multi-range switching
and active output (Automatic Output Switching)



ASD-06
Connection set



ASD-07
Connection nipple



DAL-01
Pressure outlet



WS-03
Weather and sun protection hood
(optional)

ACCESSORIES

ASD-06	Connection set (included in the scope of delivery) , consisting of 2 connection nipples (straight) made of ABS, 2 m PVC hose (soft, UV-resistant) and 4 screws	7100-0060-3000-000	7,87 €
ASD-07	2 connection nipples (at 90 degree angle) made of plastic, ABS	7100-0060-7000-000	7,87 €
DAL-01	Pressure outlet for ceiling or in-wall installation (e.g. in clean rooms)	7300-0060-3000-001	36,84 €
WS-03	Weather and sun protection hood , 200 x 180 x 150 mm, stainless steel V2A (1.4301)	7100-0040-6000-000	46,08 €

For further information, see chapter Accessories!



S+S REGELTECHNIK

PREMASGARD® 722x

Dual pressure sensor (2 measuring channels),
pressure and differential pressure measuring transducer,
incl. connection set, calibratable, with multi-range switching
and active output (Automatic Output Switching)

PREMASGARD® 722x-Q
with M12 connector



PREMASGARD® 722x
with cable gland



PREMASGARD® 722x		Dual pressure sensor (2 measuring channels), pressure and differential pressure measuring transducer, <i>Deluxe</i>			
Pressure range (adjustable per channel)	Type/WG02	Output (automatically)	Display ● = Q	Item No.	Price
(1) max. - 500...+ 500 Pa (2) max. - 500...+ 500 Pa	Type 7225				
Channel (1) and (2): 0 ... 100 Pa / - 100 ... + 100 Pa	PREMASGARD 7225	0-10V / 4...20mA		1301-712A-0910-200	235,94 €
0 ... 200 Pa / - 200 ... + 200 Pa	PREMASGARD 7225 LCD	0-10V / 4...20mA	■	1301-712A-4910-200	286,16 €
0 ... 300 Pa / - 300 ... + 300 Pa	PREMASGARD 7225 Q	0-10V / 4...20mA	●	2004-6331-B100-021	283,92 €
0 ... 500 Pa / - 500 ... + 500 Pa	PREMASGARD 7225 Q LCD	0-10V / 4...20mA	● ■	2004-6332-B100-021	335,66 €
(1) max. - 7000...+ 7000 Pa (2) max. - 7000...+ 7000 Pa	Type 7227				
Channel (1) and (2): 0 ... 1000 Pa / - 1000 ... + 1000 Pa	PREMASGARD 7227	0-10V / 4...20mA		1301-712A-0950-200	235,94 €
0 ... 3000 Pa / - 3000 ... + 3000 Pa	PREMASGARD 7227 LCD	0-10V / 4...20mA	■	1301-712A-4950-200	286,16 €
0 ... 5000 Pa / - 5000 ... + 5000 Pa	PREMASGARD 7227 Q	0-10V / 4...20mA	●	2004-6331-B100-011	283,92 €
0 ... 7000 Pa / - 7000 ... + 7000 Pa	PREMASGARD 7227 Q LCD	0-10V / 4...20mA	● ■	2004-6332-B100-011	335,66 €
(1) max. - 500... + 500 Pa (2) max. - 7000...+ 7000 Pa	Type 7229				
Channel (1): 0 ... 100 Pa / - 100 ... + 100 Pa	PREMASGARD 7229	0-10V / 4...20mA		1301-712A-0930-200	235,94 €
0 ... 200 Pa / - 200 ... + 200 Pa	PREMASGARD 7229 LCD	0-10V / 4...20mA	■	1301-712A-4930-200	286,16 €
0 ... 300 Pa / - 300 ... + 300 Pa	PREMASGARD 7229 Q	0-10V / 4...20mA	●	2004-6331-B100-001	283,92 €
0 ... 500 Pa / - 500 ... + 500 Pa	PREMASGARD 7229 Q LCD	0-10V / 4...20mA	● ■	2004-6332-B100-001	335,66 €
Channel (2): 0 ... 1000 Pa / - 1000 ... + 1000 Pa					
0 ... 3000 Pa / - 3000 ... + 3000 Pa					
0 ... 5000 Pa / - 5000 ... + 5000 Pa					
0 ... 7000 Pa / - 7000 ... + 7000 Pa					
Multi-range switching:	The pressure ranges depend on the device type and for each measuring channel, they are separately adjustable via DIP switch.				
Automatic Output Switching:	Patented analogue interface (patent no. DE 10 2015 015 941 B4) Device automatically detects the required output type 0-10 V or 4...20 mA.				
Housing variant Q:	Cable connection with M12 connector (male, 5 pin, A-code)				

**Pressure and differential pressure measuring transducers/switches,
incl. connection set, with multi-range switching
and adjustable, switching and active output**

The electronic **PREMASREG® 711x** pressure sensors and switches are equipped with eight switchable measuring ranges, one switching output, one continuous output, and a display for setting the switch-point and to display the ACTUAL pressure (eight devices in one, plus differential pressure switch / differential pressure monitor, continuous pressure sensor in a single device).

The pressure sensor with a housing made from impact-resistant plastic, with cable gland or M12 connector according to DIN EN 61076-2-101 and pressure connection nozzles (quick connect optional) is used to measure positive, negative or differential pressures in clean air, with limit value switching. The piezoresistive measuring element guarantees a high degree of reliability and accuracy.

Applications of these pressure sensors are in clean room, medical and filter technology, in ventilation and air conditioning ducts, in spray booths, in large-scale catering facilities, for filter monitoring and level measurement or for triggering frequency converters. Media measured with these pressure transducers are air (non-precipitating), or other gaseous, non-aggressive, non-combustible media.

The pressure sensor has a button for manual zero point calibration (automatic zero point calibration optional) and one offset potentiometer for setting the switching point and one for final value correction. The sensor is factory-calibrated; an environmental precision adjustment by an expert is possible. The delivery includes the connection set **ASD-06** (2m connection hose, two pressure port nipples, screws).

TECHNICAL DATA

Power supply:	24 V AC / DC (± 20%)
Load resistance:	$R_L > 5 \text{ k}\Omega$
Power consumption:	< 1 VA / 24 V DC, < 2.2 VA / 24 V AC
Measuring ranges:	multi-range switching with 8 switchable measuring ranges (see table)
Type of pressure:	differential pressure
Pressure connection:	with connection nozzle for pressure hose $\varnothing 6 \text{ mm}$, optionally with quick connect made from stainless steel for PVC fabric pressure hose $\varnothing 6 \text{ mm}$ (external diameter)
Medium:	clean air and non-aggressive, non-combustible gases
Media temperature:	-20...+50 °C
Accuracy:	Type 7111 (1000 Pa): typically ± 5 Pa Type 7115 (5000 Pa): typically ± 25 Pa compared to the calibrated reference device
Sum of linearity+hysteresis:	< ± 1 % of final value
Temp. drift values:	± 0.1 % / °C
Zero point offset:	< ± 0.7% of final value
Setting increment Δp :	1 % of pressure range (100 Pa => 1 Pa; 5000 Pa => 50 Pa)
Switching hysteresis:	± 1 % of pressure range (100 Pa => ± 1 Pa; 5000 Pa => ± 50 Pa)
Positive /negative pressure:	max. ± 100 hPa
Signal filtering:	switchable 1 s / 10 s (via DIP switches)
Output:	0 -10 V 1 changeover contact (24 V), 1 A ohmic load
Connection type:	3-wire connection
Electrical connection:	0.14 -1.5 mm ² , via plug-in screw terminal
Cable connection:	cable gland , plastic (M 16 x 1.5; with strain relief, exchangeable, max. inner diameter 10.4 mm) or M12 connector (male, 12-pin , A-code) according to DIN EN 61076-2-101
Housing:	plastic , UV-resistant, material polyamide, 30 % glass-globe reinforced, with quick-locking screws (slotted / Phillips head combination), colour traffic white (similar to RAL 9016), cover for display is transparent!
Housing dimensions:	126 x 90 x 50 mm (Tyr 2)
Air humidity:	< 95 % RH, non-precipitating air
Protection class:	III (according to EN 60 730)
Protection type:	IP 65 (according to EN 60 529) in the built-in state
Standards:	CE conformity according to EMC Directive 2014 / 30 / EU, according to EN 61326-1, according to EN 61326-2-3
Equipment:	display with illumination , three-line, cutout approx. 70 x 40 mm (W x H), for displaying ACTUAL pressure and /or SETPOINT pressure as well as automatic zero point calibration
ACCESSORIES	see table

Pressure port
for pressure hose
(as standard)



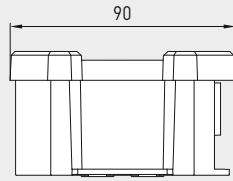
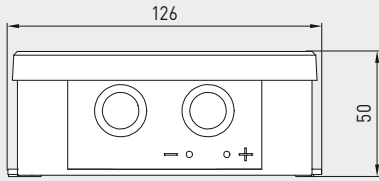


Pressure and differential pressure measuring transducers/switches, incl. connection set, with multi-range switching and adjustable, switching and active output



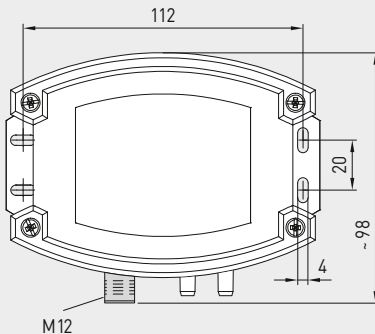
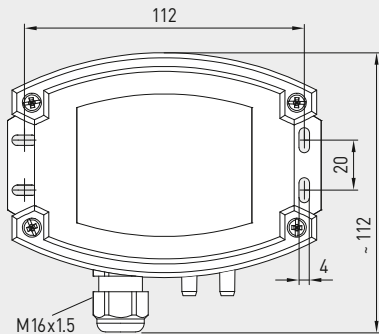
Dimensional drawing [mm]

PREMASREG® 711x



Housing with cable gland equipped as standard with pressure port nozzles

Housing with M12 connector equipped as standard with pressure port nozzles



Pressure port for pressure hose (as standard)



M12 connector (male)

PREMASREG® 711x with cable gland and display



PREMASREG® 711x-Q with M12 connector and display

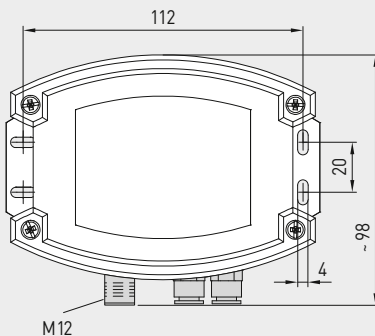
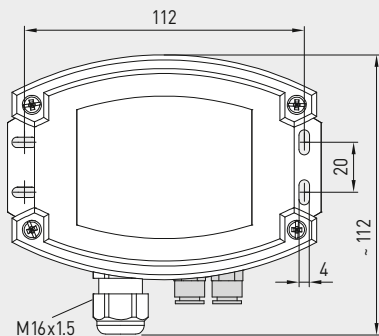


Dimensional drawing [mm]

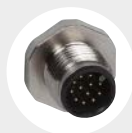
PREMASREG® 711x

Housing with cable gland optional on request with quick connect

Housing with M12 connector optional on request with quick connect



Pressure port for PVC/fabric pressure hose (optional)

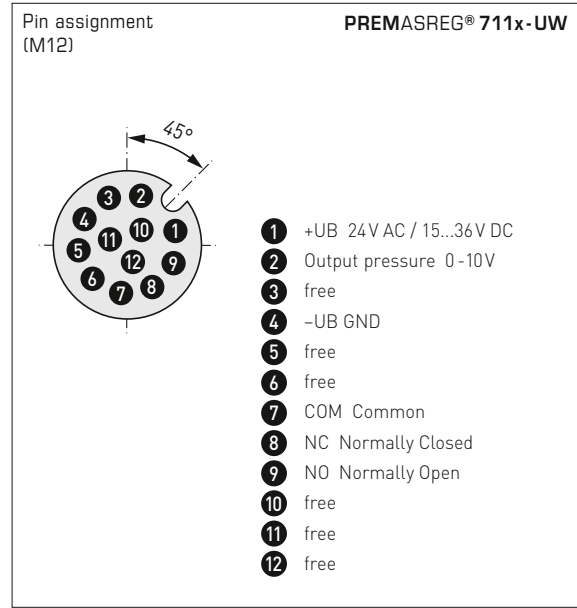
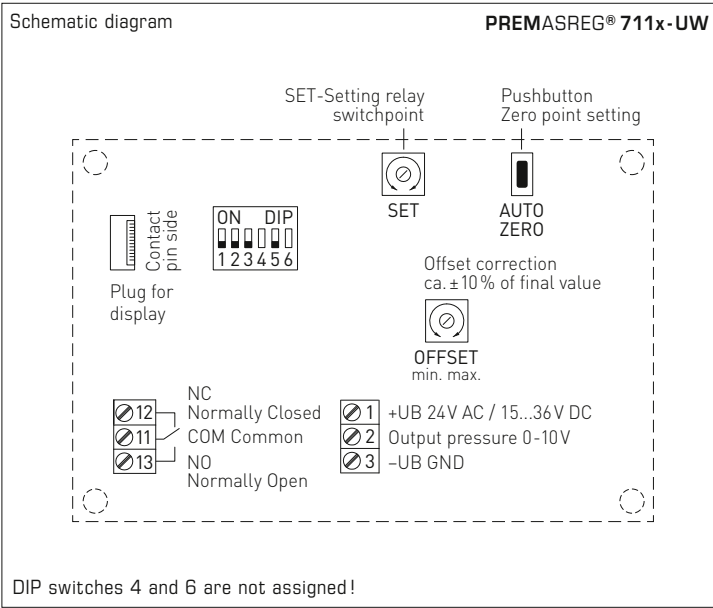


M12 connector (male)

Pressure port for PVC/fabric pressure hose (optional)



Pressure and differential pressure measuring transducers/switches,
incl. connection set, with multi-range switching
and adjustable, switching and active output



Pressure range (selectable) – max. measuring range (default) is depending to the type of device				DIP 1	DIP 2
0...100 Pa	0...1000 Pa	-100...+100 Pa	-1000...+1000 Pa	OFF	OFF
0...300 Pa	0...2000 Pa	-300...+300 Pa	-2000...+2000 Pa	ON	OFF
0...500 Pa	0...3000 Pa	-500...+500 Pa	-3000...+3000 Pa	OFF	ON
0...1000 Pa	0...5000 Pa	-1000...+1000 Pa	-5000...+5000 Pa	ON	ON

Measuring range mode (Mode selectable)	DIP 3
Unidirectional (0...+MR) (default)	OFF
Bidirectional (-MR...+MR)	ON

Measurement signal filtering (Time interval selectable)	DIP 5
10 s (default)	OFF
1 s	ON

Display with option
automatic zero point calibration



Zero point calibration active

Remaining calibration time (in seconds)

Cycle time (approx. 90 minutes) is fixed in the factory.

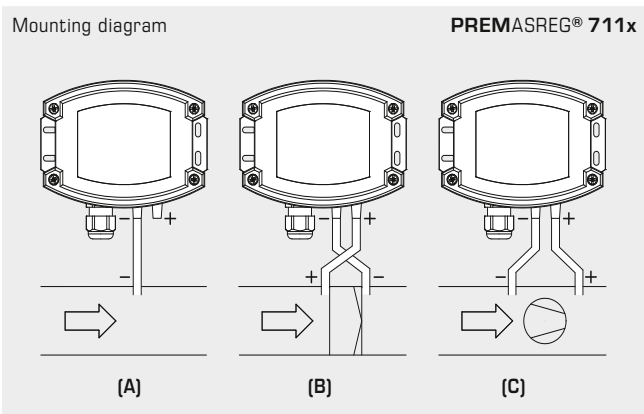


S+S REGELTECHNIK

PREMASREG® 711x

Pressure and differential pressure measuring transducers/switches,
incl. connection set, with multi-range switching
and adjustable, switching and active output

PREMASREG® 711x-Q
with display,
hinged



TYPES OF MONITORING:

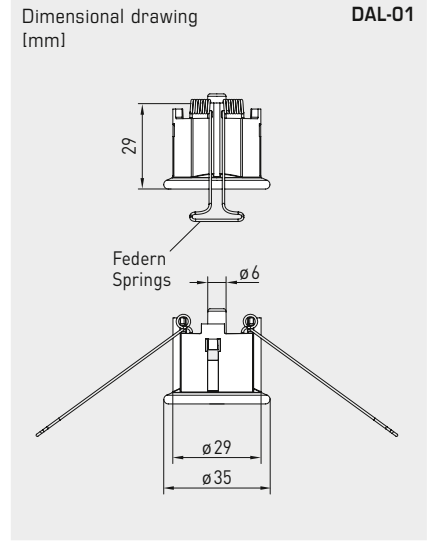
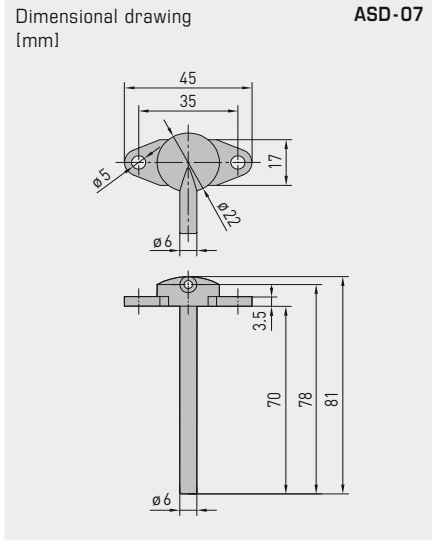
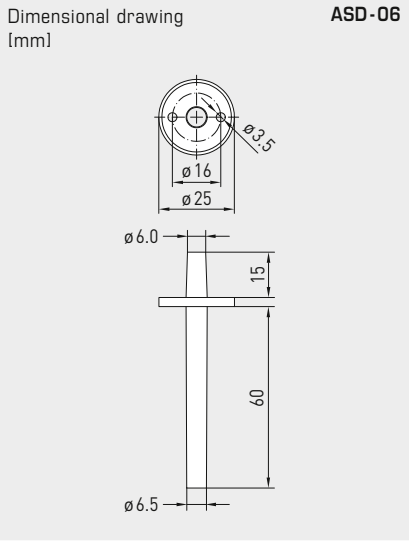
- (A) Below-atmospheric pressure:**
P1 (+) is not connected
but open against atmosphere
P2 (-) connected to inside of duct
- (B) Filter:**
P1 (+) connected upstream of filter
P2 (-) connected downstream of filter
- (C) Ventilator:**
P1 (+) connected downstream of ventilator
P2 (-) connected upstream of ventilator

Pressure connections at the pressure switch are marked with P1 (+) for higher pressure and P2 (-) for lower pressure.

Conversion table for pressure values:

Unit =	bar	mbar	Pa	kPa	mWS
1 Pa	0,00001 bar	0,01 mbar	1 Pa	0,001 kPa	0,000101971 mWS
1 kPa	0,01 bar	10 mbar	1000 Pa	1 kPa	0,101971 mWS
1 bar	1 bar	1000 mbar	100000 Pa	100 kPa	10,1971 mWS
1 mbar	0,001 bar	1 mbar	100 Pa	0,1 kPa	0,0101971 mWS
1 mWS	0,0980665 bar	98,0665 mbar	9806,65 Pa	9,80665 kPa	1 mWS

Pressure and differential pressure measuring transducers/switches,
incl. connection set, with multi-range switching
and adjustable, switching and active output



ASD-06
Connection set

ASD-07
Connection nipple

DAL-01
Pressure outlet



WS-03
Weather and sun protection hood
(optional)

Pressure port
for pressure hose
(as standard)



Pressure port for
PVC/fabric pressure hose
(optional)



ACCESSORIES

ASD-06	Connection set (included in the scope of delivery) , consisting of 2 connection nipples (straight) made of ABS, 2 m PVC hose (soft, UV-resistant) and 4 screws	7100-0060-3000-000	7,87 €
ASD-07	2 connection nipples (at 90 degree angle) made of plastic, ABS	7100-0060-7000-000	7,87 €
DAL-01	Pressure outlet for ceiling or in-wall installation (e.g. in clean rooms)	7300-0060-3000-001	36,84 €
WS-03	Weather and sun protection hood , 200 x 180 x 150 mm, stainless steel V2A (1.4301)	7100-0040-6000-000	46,08 €

For further information, see chapter Accessories!



S+S REGELTECHNIK

PREMASREG® 711x

Pressure and differential pressure measuring transducers/switches,
incl. connection set, with multi-range switching
and adjustable, switching and active output



PREMASREG® 711x-Q
with M12 connector



PREMASREG® 711x
with cable gland



PREMASREG® 711x		Pressure and differential pressure measuring transducers/switches, <i>Deluxe</i> (with cable gland or M12 connector)			
Pressure range (adjustable)	Type/WG02	Output	Display ● = Q	Item No.	Price
max. - 1000...+ 1000 Pa		Type 7111			
0... 100 Pa / - 100... + 100 Pa	PREMASREG 7111-UW LCD	0-10V 1x Changeover contact	■	1302-7111-4011-200	247,87 €
0... 300 Pa / - 300... + 300 Pa	PREMASREG 7111-UW Q LCD	0-10V 1x Changeover contact	● ■	2004-6132-4100-001	291,07 €
0... 500 Pa / - 500... + 500 Pa					
0... 1000 Pa / -1000... + 1000 Pa					
max. - 5000...+ 5000 Pa		Type 7115			
0... 1000 Pa / - 1000... + 1000 Pa	PREMASREG 7115-UW LCD	0-10V 1x Changeover contact	■	1302-7111-4051-200	247,87 €
0... 2000 Pa / -2000... + 2000 Pa	PREMASREG 7115-UW Q LCD	0-10V 1x Changeover contact	● ■	2004-6132-4100-011	291,07 €
0... 3000 Pa / -3000... + 3000 Pa					
0... 5000 Pa / -5000... + 5000 Pa					
Housing variant "Q":	Cable connection with M12 connector (male, 12-pin, A-code)				
Multi-range switching:	The pressure ranges depend on the device type and can be set via DIP switches.				
Extra charge:	Other special measuring ranges up to max. 5000 Pa with optional automatic zero point calibration with optional quick connect for PVC fabric pressure hose Ø 6 mm				51,32 € 74,74 € 43,20 €

**Pressure and differential pressure measuring transducers/switches,
with multi-range switching
and adjustable, switching and active output**

The electronic **PREMASREG® 711x-VA** pressure sensors and switches are equipped with eight switchable measuring ranges, one switching output, one continuous output, and a display for setting the switchpoint and to display the ACTUAL pressure (eight devices in one, plus differential pressure switch/differential pressure monitor, continuous pressure sensor in a single device).

The pressure sensor with a housing made from **stainless steel V4A**, with cable gland or M12 connector according to DIN EN 61076-2-101 and pressure port using quick connect (pipe fitting optional) is used to measure positive, negative or differential pressures in clean air, with limit value switching. The piezoresistive measuring element guarantees a high degree of reliability and accuracy.

Applications of these pressure sensors are in clean room, medical and filter technology, in ventilation and air conditioning ducts, in spray booths, in large-scale catering facilities, for filter monitoring and level measurement or for triggering frequency converters. Media measured with these pressure transducers are air (non-precipitating), or other gaseous, non-aggressive, non-combustible media.

The pressure sensor has a button for manual zero point calibration (automatic zero point calibration optional) as well as one offset potentiometer for setting the switching point and one for final value correction. The sensor is factory-calibrated; an environmental precision adjustment by an expert is possible.

TECHNICAL DATA

Power supply:	24 V AC / DC (±20 %)
Load resistance:	$R_L > 5 \text{ k}\Omega$
Power consumption:	< 1 VA / 24 V DC, < 2.2 VA / 24 V AC
Measuring ranges:	multi-range switching with 8 switchable measuring ranges (see table)
Type of pressure:	differential pressure
Pressure port:	with quick connect made from stainless steel for PVC/fabric pressure hose $\varnothing 6 \text{ mm}$ (external diameter) optionally with pipe fitting made from stainless steel V2A (1.4305) for pressure lines $\varnothing 6 \text{ mm}$
Medium:	clean air and non-aggressive, non-combustible gases
Media temperature:	-20...+50 °C
Accuracy:	Type 7111 (1000 Pa): typically $\pm 5 \text{ Pa}$ Type 7115 (5000 Pa): typically $\pm 25 \text{ Pa}$ compared to the calibrated reference device
Sum of linearity+hysteresis:	< $\pm 1 \%$ of final value
Temp. drift values:	$\pm 0.1 \%$ / °C
Zero point offset:	< $\pm 0.7 \%$ of final value
Setting increment Δp :	1 % of pressure range (100 Pa => 1 Pa; 5000 Pa => 50 Pa)
Switching hysteresis:	$\pm 1 \%$ of pressure range (100 Pa => $\pm 1 \text{ Pa}$; 5000 Pa => $\pm 50 \text{ Pa}$)
Positive/negative pressure:	max. $\pm 100 \text{ hPa}$
Signal filtering:	switchable 1 s / 10 s (via DIP switches)
Output:	0 -10 V 1 changeover contact (24 V), 1 A ohmic load
Connection type:	3-wire connection
Electrical connection:	0.14 -1.5 mm ² , via plug-in screw terminal
Cable connection:	cable gland, stainless steel V2A (1.4305) (M20 x 1.5; with strain relief, exchangeable, inner diameter 6 - 12 mm) or M12 connector (male, 12-pin , A-code) according to DIN EN 61076-2-101
Housing:	stainless steel V4A (1.4571), with non-distortion cover bolting, impact-resistant, high EMI shielding, corrosion, temperature, weather- and UV-resistant
Housing dimensions:	143 x 97 x 61 mm (Tyr2E)
Air humidity:	< 95 % RH, non-precipitating air
Protection class:	III (according to EN 60730)
Protection type:	IP 65 (according to EN 60529) in the built-in state Housing tested, TÜV SÜD, Report No. 713160960B (Skadi2)
Standards:	CE conformity according to EMC Directive 2014 / 30 / EU, according to EN 61326-1, according to EN 61326-2-3
Equipment:	display with illumination , three-line, cutout approx. 70 x 40 mm (W x H), for displaying ACTUAL pressure and/or SETPOINT pressure as well as automatic zero point calibration
ACCESSORIES	(see table)

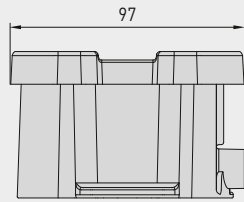
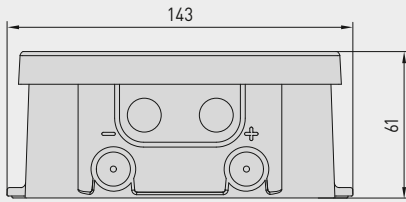
Pressure port for
PVC / fabric pressure hose
(as standard)





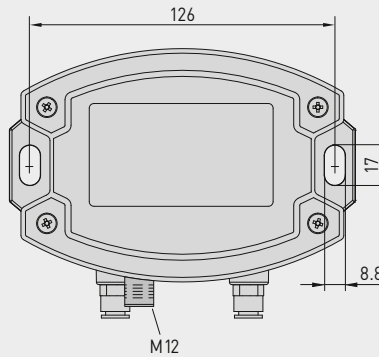
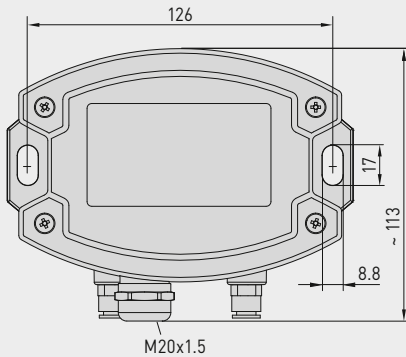
Dimensional drawing
[mm]

PREMASREG® 711x-VA



Housing with
cable gland
equipped as standard with
quick connect
for pressure hoses

Housing with
M12 connector
equipped as standard with
quick connect
for pressure hoses



Pressure port for
PVC / fabric pressure hose
(as standard)



M12 connector
(male)

PREMASREG® 711x-VA
with cable gland
and display



PREMASREG® 711x-VAQ
with M12 connector
and display

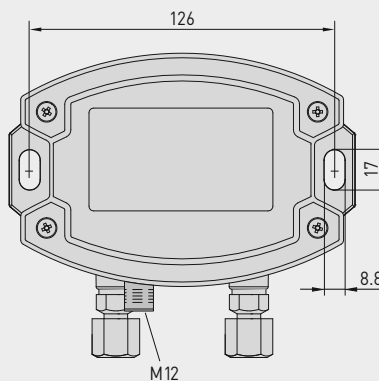
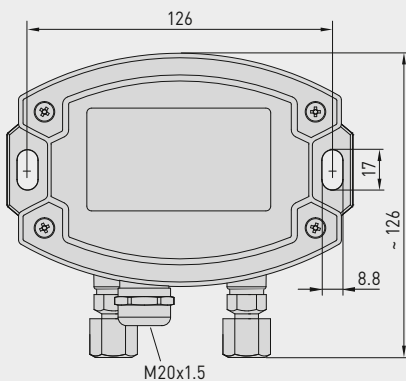


Dimensional drawing
[mm]

PREMASREG® 711x-VA

Housing with
cable gland
optional on request
with **pipe fitting**
for pressure lines

Housing with
M12 connector
optional on request
with **pipe fitting**
for pressure lines



Pressure port
for pressure lines / pipes
(optional)

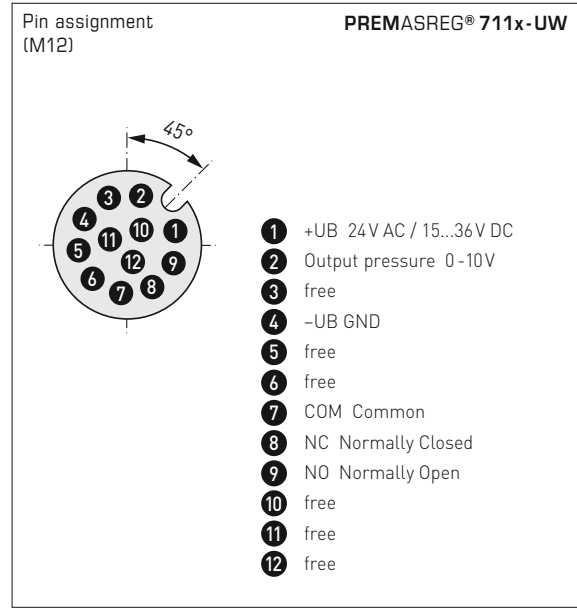
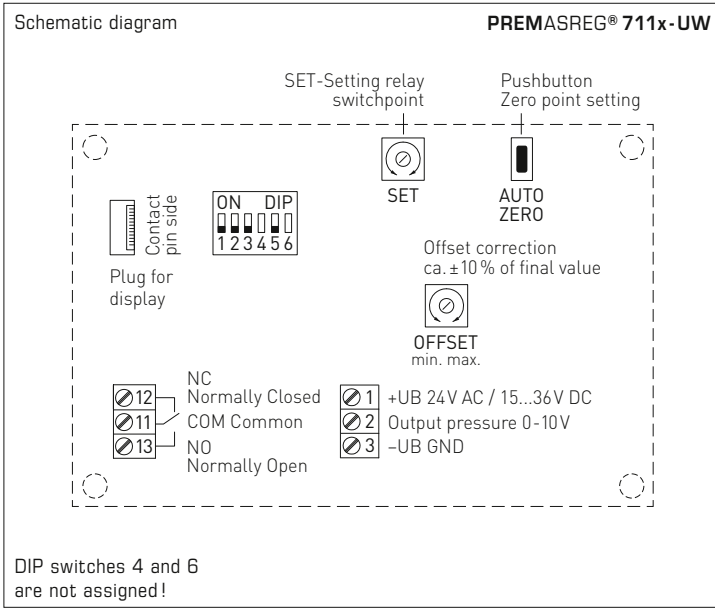


M12 connector
(male)

Pressure port
for pressure lines / pipes
(optional)



Pressure and differential pressure measuring transducers/switches,
with multi-range switching
and adjustable, switching and active output



Pressure range (selectable) – max. measuring range (default) is depending to the type of device				DIP 1	DIP 2
0...100 Pa	0...1000 Pa	-100...+100 Pa	-1000...+1000 Pa	OFF	OFF
0...300 Pa	0...2000 Pa	-300...+300 Pa	-2000...+2000 Pa	ON	OFF
0...500 Pa	0...3000 Pa	-500...+500 Pa	-3000...+3000 Pa	OFF	ON
0...1000 Pa	0...5000 Pa	-1000...+1000 Pa	-5000...+5000 Pa	ON	ON

Measuring range mode (Mode selectable)	DIP 3
Unidirectional (0...+MR) (default)	OFF
Bidirectional (-MR...+MR)	ON

Measurement signal filtering (Time interval selectable)	DIP 5
10 s (default)	OFF
1 s	ON

Display with option automatic zero point calibration



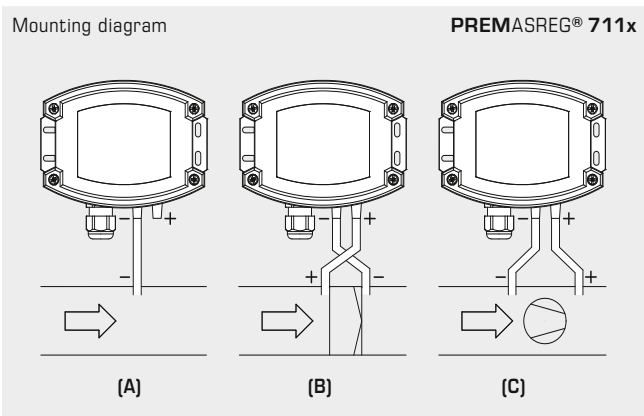
Zero point calibration active

Remaining calibration time (in seconds)

Cycle time (approx. 90 minutes) is fixed in the factory.



PREMASREG® 711x-VAQ with display, hinged



TYPES OF MONITORING:

- (A) Below-atmospheric pressure:**
P1 (+) is not connected but open against atmosphere
P2 (-) connected to inside of duct
- (B) Filter:**
P1 (+) connected upstream of filter
P2 (-) connected downstream of filter
- (C) Ventilator:**
P1 (+) connected downstream of ventilator
P2 (-) connected upstream of ventilator

Pressure connections at the pressure switch are marked with P1 (+) for higher pressure and P2 (-) for lower pressure.

Conversion table for pressure values:

Unit =	bar	mbar	Pa	kPa	mWS
1 Pa	0,00001 bar	0,01 mbar	1 Pa	0,001 kPa	0,000101971 mWS
1 kPa	0,01 bar	10 mbar	1000 Pa	1 kPa	0,101971 mWS
1 bar	1 bar	1000 mbar	100000 Pa	100 kPa	10,1971 mWS
1 mbar	0,001 bar	1 mbar	100 Pa	0,1 kPa	0,0101971 mWS
1 mWS	0,0980665 bar	98,0665 mbar	9806,65 Pa	9,80665 kPa	1 mWS

Pressure and differential pressure measuring transducers/switches,
with multi-range switching
and adjustable, switching and active output

PREMASREG® 711x-VAQ
with M12 connector



PREMASREG® 711x-VAQ		Pressure and differential pressure measuring transducers/switches, <i>ID</i> (Stainless steel housing with M12 connector)			
Pressure range (adjustable)	Type / WG02I	Output	Display ● = Q	Item No.	Price
max. - 1000...+ 1000 Pa	Type 7111				
0... 100 Pa / - 100... + 100 Pa	PREMASREG 7111-UW VAQ LCD	0-10V 1x Changeover contact	● ■	2004-6192-4100-001	769,87 €
0... 300 Pa / - 300... + 300 Pa					
0... 500 Pa / - 500... + 500 Pa					
0... 1000 Pa / -1000... + 1000 Pa					
max. - 5000...+ 5000 Pa	Type 7115				
0... 1000 Pa / - 1000... + 1000 Pa	PREMASREG 7115-UW VAQ LCD	0-10V 1x Changeover contact	● ■	2004-6192-4100-011	769,87 €
0... 2000 Pa / -2000... + 2000 Pa					
0... 3000 Pa / -3000... + 3000 Pa					
0... 5000 Pa / -5000... + 5000 Pa					
Housing variant "Q":	Cable connection with M12 connector (male, 12-pin , A-code)				
Multi-range switching:	The pressure ranges depend on the device type and can be set via DIP switches.				
Extra charge:	Other special measuring ranges up to max. 5000 Pa with optional automatic zero point calibration with optional pipe fitting made from stainless steel V2A for pressure lines Ø 6 mm				51,32 € 74,74 € 43,20 €

ACCESSORIES

xx-M12 Special accessories for M12 connector

For further information, see chapter Accessories!



Pressure and differential pressure measuring transducers/switches,
with multi-range switching
and adjustable, switching and active output

PREMASREG® 711x-VA
with cable gland



PREMASREG® 711x-VA		Pressure and differential pressure measuring transducers/switches, ID (Stainless steel housing with cable gland)			
Pressure range (adjustable)	Type/WG02I	Output	Display	Item No.	Price
max. - 1000...+ 1000 Pa		Type 7111			
0... 100 Pa / - 100... + 100 Pa	PREMASREG 7111-UW VA LCD	0-10V 1x Changeover contact	■	2004-6192-4200-001	730,20 €
0... 300 Pa / - 300... + 300 Pa					
0... 500 Pa / - 500... + 500 Pa					
0... 1000 Pa / -1000... + 1000 Pa					
max. - 5000...+ 5000 Pa		Type 7115			
0...1000 Pa / - 1000 ... + 1000 Pa	PREMASREG 7115-UW VA LCD	0-10V 1x Changeover contact	■	2004-6192-4200-011	730,20 €
0...2000 Pa / -2000 ... + 2000 Pa					
0...3000 Pa / -3000 ... + 3000 Pa					
0...5000 Pa / -5000 ... + 5000 Pa					
Housing variant:	Cable connection with cable gland made from stainless steel V2A (1.4305)				
Multi-range switching:	The pressure ranges depend on the device type and can be set via DIP switches.				
Extra charge:	Other special measuring ranges up to max. 5000 Pa with optional automatic zero point calibration with optional pipe fitting made from stainless steel V2A for pressure lines Ø 6 mm				51,32 € 74,74 € 43,20 €



Pressure port for
PVC / fabric pressure hose
(as standard)



Pressure port for
pressure lines / pipes
(optional)

Pressure measuring transducers / switches / monitors for volume flow, differential pressure, filter monitoring and liquid level detection, incl. connection set

The electronic **PREMASREG® 716x** pressure sensor and switch is equipped with measuring functions for volume flow, differential pressure, filter monitoring and liquid level detection based on pressure measurement in clean air. The devices with a housing made from impact-resistant plastic, with cable gland or M12 connector according to DIN EN 61076-2-101 and pressure connection nozzles (quick connect optional) are fitted with one switching output, one continuous output and one backlit display for setting the switching point and displaying the ACTUAL values. The piezoresistive measuring element guarantees a high degree of reliability and accuracy.

This pressure sensor is used in clean room, medical and filter technology, in ventilation and air conditioning ducts, in spray booths, in large-scale catering facilities, for filter monitoring and level measurement or for triggering frequency converters. The medium measured is air (non-precipitating), or other gaseous, non-aggressive, non-combustible media.

It has a manual zero point pushbutton and an offset potentiometer for final value correction. Parameter entry is menu-based and is easy to perform using three buttons with the help of the display. The sensor is factory-calibrated; an environmental precision adjustment by an expert is possible. A connection set **ASD-06** (2 m connection hose, two pressure nipples, screws) is included in the scope of supply.

TECHNICAL DATA

Power supply:	24 V AC / DC ($\pm 10\%$) and 15...36 V DC
Load resistance:	$R_L > 5 \text{ k}\Omega$
Power consumption:	$< 1.5 \text{ VA} / 24 \text{ V DC}$, $< 2.8 \text{ VA} / 24 \text{ V AC}$
Measuring function:	Volume flow, differential pressure, filter monitoring, fill level (adjustable)
Measuring ranges:	10...100% (adjustable)
Type of pressure:	differential pressure
Pressure connection:	with connection nozzle for pressure hose $\varnothing 6 \text{ mm}$, optionally with quick connect made from stainless steel for PVC fabric pressure hose $\varnothing 6 \text{ mm}$ (external diameter)
Medium:	clean air and non-aggressive, non-combustible gases
Media temperature:	$-20...+50 \text{ }^\circ\text{C}$
Accuracy:	Type 7161 (1000 Pa): typically $\pm 5 \text{ Pa}$ Type 7165 (5000 Pa): typically $\pm 25 \text{ Pa}$ compared to the calibrated reference device
Sum of linearity+hysteresis:	$< \pm 1\%$ of final value (pressure)
Temp. drift values:	$\pm 0.1\% / ^\circ\text{C}$
Positive / negative pressure:	max. $\pm 10000 \text{ Pa}$
Signal hysteresis:	$\pm 1\%$ of final value (pressure) 10 Pa / 50 Pa
Signal filtering:	switchable 1 s / 10 s (via DIP switches) and small value suppression $< 1\%$
Output:	0-10 V 1 changeover contact (24 V), 1 A ohmic load
Connection type:	3-wire connection
Electrical connection:	0.14 - 1.5 mm ² , via plug-in screw terminal
Cable connection:	cable gland , plastic (M 16 x 1.5; with strain relief, exchangeable, max. inner diameter 10.4 mm) or M12 connector (male, 12-pin, A-code) according to DIN EN 61076-2-101
Housing:	plastic , UV-resistant, material polyamide, 30 % glass-globe reinforced, with quick-locking screws (slotted / Phillips head combination), colour traffic white (similar to RAL 9016), cover for display is transparent!
Housing dimensions:	126 x 90 x 50 mm (Tyr 2)
Air humidity:	$< 95\% \text{ RH}$, non-precipitating air
Protection class:	III (according to EN 60 730)
Protection type:	IP 65 (according to EN 60 529) in the built-in state
Standards:	CE conformity according to EMC Directive 2014 / 30 / EU, according to EN 61326-1, according to EN 61326-2-3
Equipment:	display with illumination , three-line, cutout approx. 70 x 40 mm (W x H), for displaying the volume flow, differential pressure, contamination degree or level and for setting the switchpoint, K factor, measuring range limits and other settings
K factor:	1 to 3000 (adjustable)
Units:	m³/s, m³/min, m³/h, l/s, l/min, l/h, %, cm (adjustable)
Max. value displayed:	999999
ACCESSORIES	see table

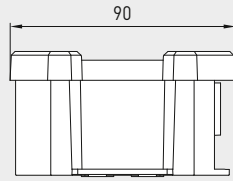
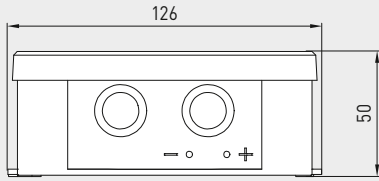
Pressure port for pressure hose (as standard)





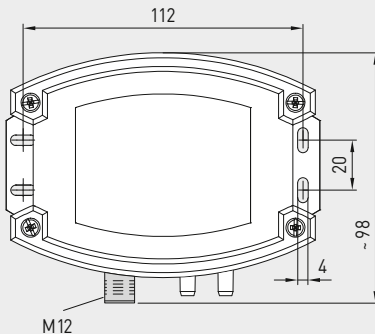
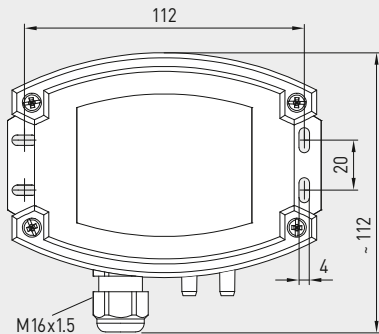
Dimensional drawing [mm]

PREMASREG® 716x



Housing with cable gland equipped as standard with pressure port nozzles

Housing with M12 connector equipped as standard with pressure port nozzles



Pressure port for pressure hose (as standard)



M12 connector (male)

PREMASREG® 716x with cable gland and display



PREMASREG® 716x-Q with M12 connector and display

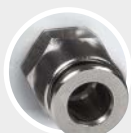
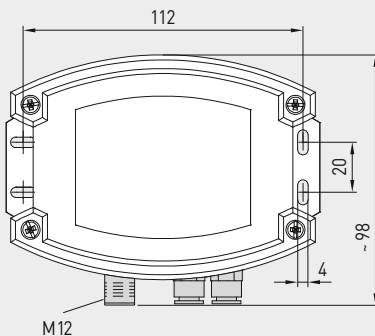
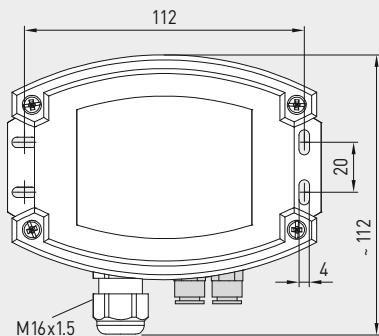


Dimensional drawing [mm]

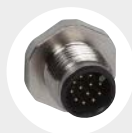
PREMASREG® 716x

Housing with cable gland optional on request with quick connect

Housing with M12 connector optional on request with quick connect



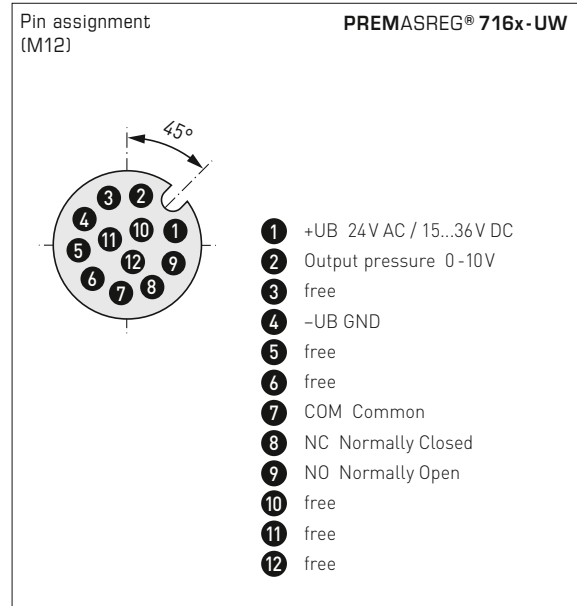
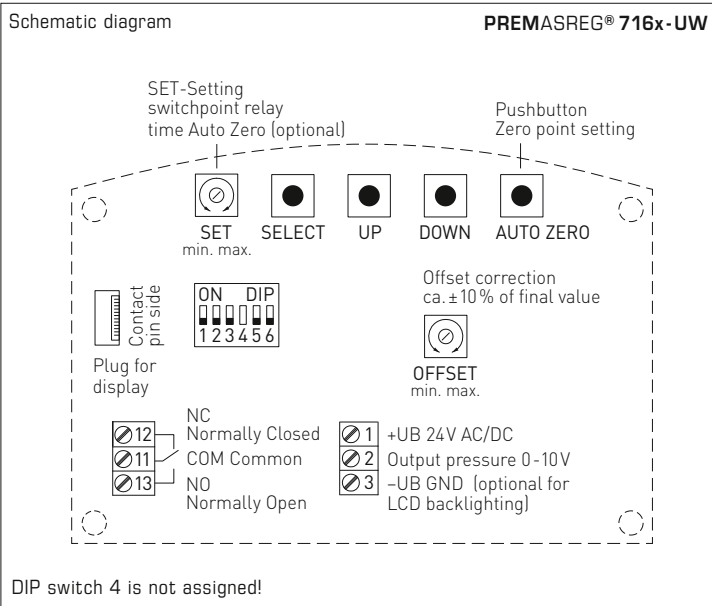
Pressure port for PVC/fabric pressure hose (optional)



M12 connector (male)

Pressure port for PVC/fabric pressure hose (optional)





Measuring range mode (Mode selectable)	DIP 1
Unidirectional (0...+MR) (default)	OFF
Bidirectional (-MR...+MR)	ON

Small value suppression (measured values < 1% of end value (pressure) = 0)	DIP 2
Deactivated (default)	OFF
Active	ON

Relay (Function adjustable)	DIP 3
Deactivated (default)	OFF
Active (display shows switching point)	ON

Measurement signal filtering (Time interval selectable)	DIP 5
10s (default)	OFF
1s	ON

Service mode (display adjustable)	DIP 6
Standard (according to configuration) (default)	OFF
Service (differential pressure in Pa)	ON

PREMASREG® 716x
Function types



Volumolum flow rate
 $V = k \cdot \sqrt{\Delta p}$
 V = Volume flow in m³/h
 k = K factor 1...3000
 Δp = Differential pressure in Pa



Differential pressure
 $\Delta p = p_+ - p_-$
 Δp = Differential pressure in Pa
 p₊ = higher pressure
 p₋ = lower pressure



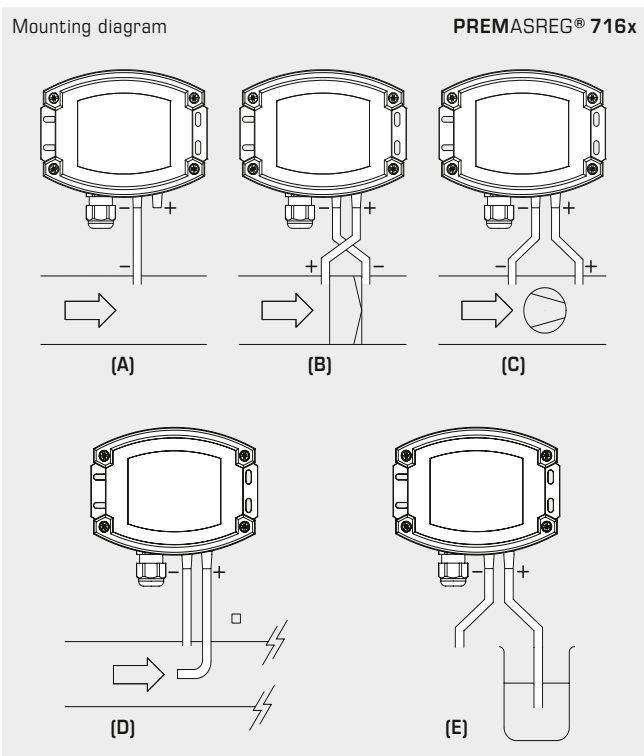
Filter contamination
 $S = 100\% \cdot \Delta p \div p_{Filter}$
 S = Contamination degree in %
 Δp = Differential pressure in Pa
 p_{Filter} = differential pressure filter replacement in Pa



Level display
 $h = \Delta p \div (\rho \cdot g)$
 h = Fill level height in cm
 Δp = Differential pressure in Pa
 ρ = Density 700...1300 in kg/m³
 g = 9.81 m/s²



PREMASREG® 716x-Q
with display,
hinged



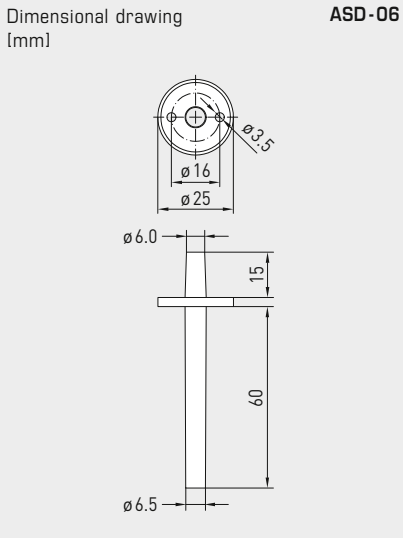
TYPES OF MONITORING:

- (A) **Below-atmospheric pressure:**
P1 (+) is not connected, but open to the atmosphere
P2 (-) connected to inside of duct
 - (B) **Filter:**
P1 (+) connected upstream of filter
P2 (-) connected downstream of filter
 - (C) **Ventilator:**
P1 (+) connected downstream of ventilator
P2 (-) connected upstream of ventilator
 - (D) **Volume flow:**
P1 (+) dynamic pressure, Connected in flow direction
P2 (-) static pressure, Connected free of dynamic pressure components
 - (E) **Level:**
P1 (+) Connection submerged in medium
P2 (-) Connection is open to the atmosphere
- Pressure connections at the pressure switch are marked with P1 (+) for higher pressure and P2 (-) for lower pressure.

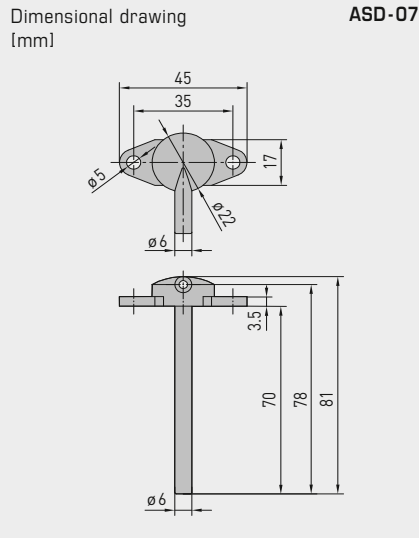
Conversion table for pressure values:

Unit =	bar	mbar	Pa	kPa	mWS
1 Pa	0,00001 bar	0,01 mbar	1 Pa	0,001 kPa	0,000101971 mWS
1 kPa	0,01 bar	10 mbar	1000 Pa	1 kPa	0,101971 mWS
1 bar	1 bar	1000 mbar	100000 Pa	100 kPa	10,1971 mWS
1 mbar	0,001 bar	1 mbar	100 Pa	0,1 kPa	0,0101971 mWS
1 mWS	0,0980665 bar	98,0665 mbar	9806,65 Pa	9,80665 kPa	1 mWS

Pressure measuring transducers / switches / monitors for volume flow, differential pressure, filter monitoring and liquid level detection, incl. connection set



ASD-06
Connection set



ASD-07
Connection nipple



WS-03
Weather and sun protection hood (optional)

Pressure port for pressure hose (as standard)



Pressure port for PVC/fabric pressure hose (optional)



ACCESSORIES

ASD-06	Connection set (included in the scope of delivery) , consisting of 2 connection nipples (straight) made of ABS, 2 m PVC hose (soft, UV-resistant) and 4 screws	7100-0060-3000-000	7,87 €
ASD-07	2 connection nipples (at 90 degree angle) made of plastic, ABS	7100-0060-7000-000	7,87 €
WS-03	Weather and sun protection hood , 200 x 180 x 150 mm, stainless steel V2A (1.4301)	7100-0040-6000-000	46,08 €

For further information, see chapter Accessories!



S+S REGELTECHNIK

PREMASREG® 716x

Pressure measuring transducers / switches / monitors for volume flow, differential pressure, filter monitoring and liquid level detection, incl. connection set



PREMASREG® 716x-Q
with M12 connector



PREMASREG® 716x
with cable gland



Measuring Range Pressure / Volume Flow		Type / WG02	Output	Display ● = Q	Item No.	Price
0...1000 Pa		Type 7161				
k = 3000 94800 m³/h	PREMASREG 7161-UW	LCD	0-10V 1x Changeover contact	■	1302-7161-4161-200	286,49 €
	PREMASREG 7161-UW Q	LCD	0-10V 1x Changeover contact	● ■	2004-6132-4100-021	329,66 €
0...5000 Pa		Type 7165				
k = 3000 212100 m³/h	PREMASREG 7165-UW	LCD	0-10V 1x Changeover contact	■	1302-7161-4171-200	286,49 €
	PREMASREG 7165-UW Q	LCD	0-10V 1x Changeover contact	● ■	2004-6132-4100-031	329,66 €
Housing variant "Q":		Cable connection with M12 connector (male, 12-pin , A-code)				
Multi-range switching:		The pressure ranges depend on the device type and can be set via DIP switches.				
Extra charge:		with optional quick connect for PVC fabric pressure hose Ø 6 mm				43,20 €

**Pressure measuring transducers / switches / monitors for volume flow,
differential pressure, filter monitoring and liquid level detection**

The electronic **PREMASREG® 761x-VA** pressure sensor and switch is equipped with measuring functions for volume flow, differential pressure, filter monitoring and liquid level detection based on pressure measurement in clean air. The devices with a housing made from **stainless steel V4A**, with cable gland or M12 connector according to DIN EN 61076-2-101 and pressure port using quick connect (pipe fitting optional) are fitted with one switching output, one continuous output and a backlit display for setting the switching point and displaying the ACTUAL values. The piezoresistive measuring element guarantees a high degree of reliability and accuracy.

This pressure sensor is used in clean room, medical and filter technology, in ventilation and air conditioning ducts, in spray booths, in large-scale catering facilities, for filter monitoring and level measurement or for triggering frequency converters. The medium measured is air (non-precipitating), or other gaseous, non-aggressive, non-combustible media.

It has a manual zero point pushbutton and an offset potentiometer for final value correction. Parameter entry is menu-based and is easy to perform using three buttons with the help of the display. The sensor is factory-calibrated; an environmental precision adjustment by an expert is possible.

TECHNICAL DATA

Power supply:	24 V AC / DC ($\pm 10\%$) and 15...36 V DC
Load resistance:	$R_L > 5 \text{ k}\Omega$
Power consumption:	$< 1.5 \text{ VA} / 24 \text{ V DC}$, $< 2.8 \text{ VA} / 24 \text{ V AC}$
Measuring function:	Volume flow, differential pressure, filter monitoring, fill level (adjustable)
Measuring ranges:	10...100% (adjustable)
Type of pressure:	differential pressure
Pressure port:	with quick connect made from stainless steel for PVC / fabric pressure hose $\varnothing 6 \text{ mm}$ (external diameter) optionally with pipe fitting made from stainless steel V2A (1.4305) for pressure lines $\varnothing 6 \text{ mm}$
Medium:	clean air and non-aggressive, non-combustible gases
Media temperature:	$-20...+50 \text{ }^\circ\text{C}$
Accuracy:	Type 7161 (1000 Pa): typically $\pm 5 \text{ Pa}$ Type 7165 (5000 Pa): typically $\pm 25 \text{ Pa}$ compared to the calibrated reference device
Sum of linearity+hysteresis:	$< \pm 1\%$ of final value (pressure)
Temp. drift values:	$\pm 0.1\% / ^\circ\text{C}$
Positive / negative pressure:	max. $\pm 10000 \text{ Pa}$
Signal hysteresis:	$\pm 1\%$ of final value (pressure) 10 Pa / 50 Pa
Signal filtering:	switchable 1 s / 10 s (via DIP switches) and small value suppression $< 1\%$
Output:	0-10 V 1 changeover contact (24V), 1 A ohmic load
Connection type:	3-wire connection
Electrical connection:	0.14-1.5 mm ² , via plug-in screw terminal
Cable connection:	cable gland, stainless steel V2A (1.4305) (M20 x 1.5; with strain relief, exchangeable, inner diameter 6-12 mm) or M12 connector (male, 12-pin, A-code) according to DIN EN 61076-2-101
Housing:	stainless steel V4A (1.4571), with non-distortion cover bolting, impact-resistant, high EMI shielding, corrosion, temperature, weather- and UV-resistant
Housing dimensions:	143 x 97 x 61 mm (Tyr2E)
Air humidity:	$< 95\% \text{ RH}$, non-precipitating air
Protection class:	III (according to EN 60730)
Protection type:	IP 65 (according to EN 60529) in the built-in state Housing tested, TÜV SÜD, Report No. 713160960B (Skadi2)
Standards:	CE conformity according to EMC Directive 2014/30/EU, according to EN 61326-1, according to EN 61326-2-3
Equipment:	display with illumination , three-line, cutout approx. 70 x 40 mm (W x H), for displaying the volume flow, differential pressure, contamination degree or level and for setting the switchpoint, K factor, measuring range limits and other settings
K factor:	1 to 3000 (adjustable)
Units:	m³/s, m³/min, m³/h, l/s, l/min, l/h, %, cm (adjustable)
Max. value displayed:	999999
ACCESSORIES	(see table)

Pressure port for
PVC / fabric pressure hose
(as standard)



Pressure measuring transducers / switches / monitors for volume flow, differential pressure, filter monitoring and liquid level detection

Dimensional drawing [mm]

PREMASREG® 716x-VA

Housing with **cable gland**
equipped as standard with **quick connect** for pressure hoses

Housing with **M12 connector**
equipped as standard with **quick connect** for pressure hoses

M20x1.5

Pressure port for PVC / fabric pressure hose (as standard)

M12

M12 connector (male)

PREMASREG® 716x-VA
with cable gland and display



PREMASREG® 716x-VAQ
with M12 connector and display



Dimensional drawing [mm]

PREMASREG® 716x-VA

Housing with **cable gland**
optional on request with **pipe fitting** for pressure lines

M20x1.5

Pressure port for pressure lines / pipes (optional)

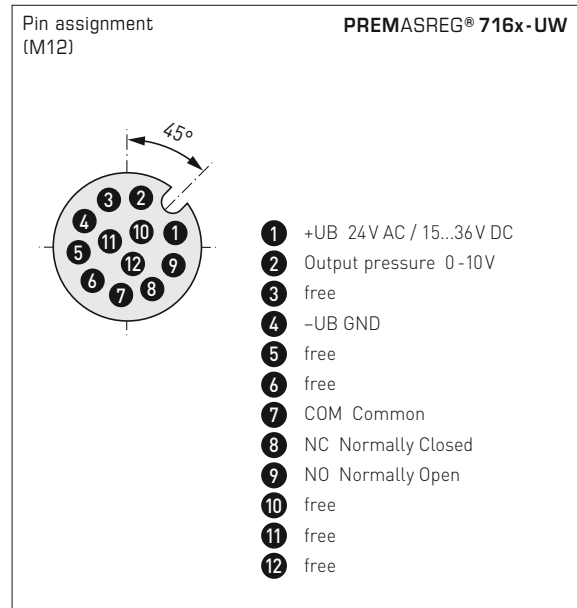
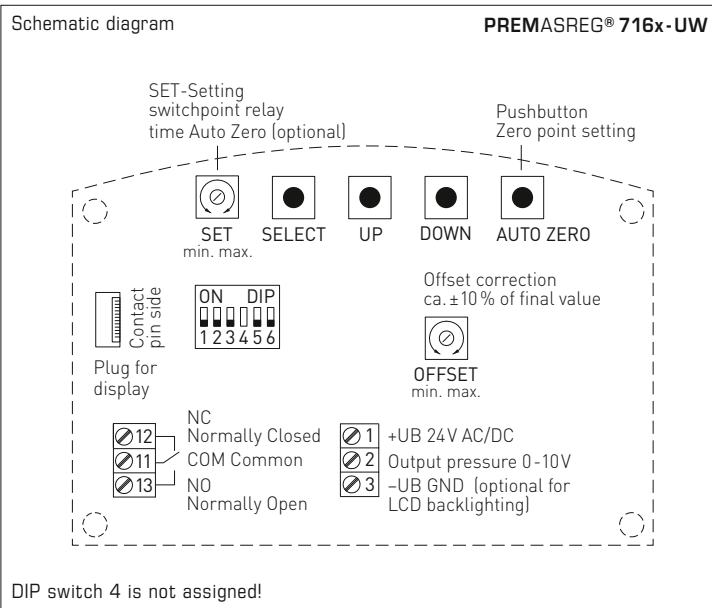
Housing with **M12 connector**
optional on request with **pipe fitting** for pressure lines

M12

M12 connector (male)

Pressure port for pressure lines / pipes (optional)





Measuring range mode (Mode selectable)	DIP 1
Unidirectional (0...+MR) (default)	OFF
Bidirectional (-MR...+MR)	ON

Small value suppression (measured values < 1% of end value (pressure) = 0)	DIP 2
Deactivated (default)	OFF
Active	ON

Relay (Function adjustable)	DIP 3
Deactivated (default)	OFF
Active (display shows switching point)	ON

Measurement signal filtering (Time interval selectable)	DIP 5
10s (default)	OFF
1s	ON

Service mode (display adjustable)	DIP 6
Standard (according to configuration) (default)	OFF
Service (differential pressure in Pa)	ON

PREMASREG® 716x
Function types



Volumetric flow rate
 $V = k \cdot \sqrt{\Delta p}$
 V = Volume flow in m³/h
 k = K factor 1...3000
 Δp = Differential pressure in Pa



Differential pressure
 $\Delta p = p_+ - p_-$
 Δp = Differential pressure in Pa
 p₊ = higher pressure
 p₋ = lower pressure



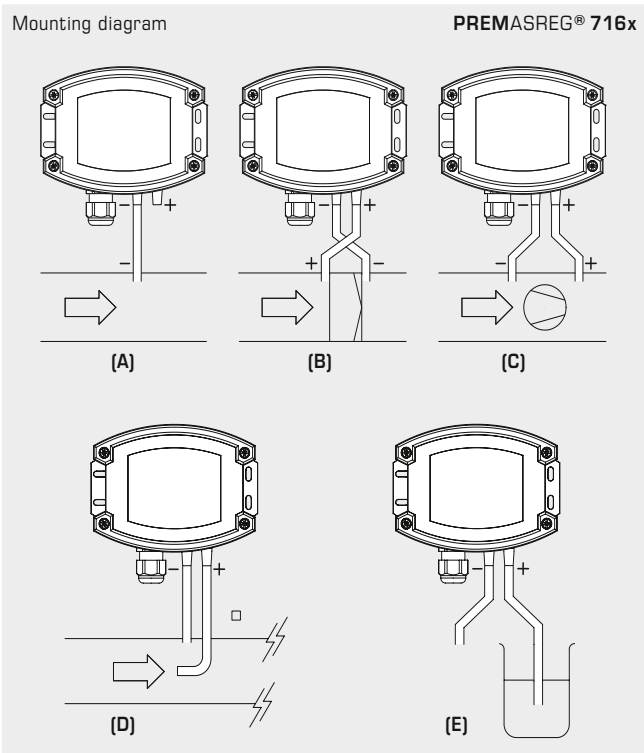
Filter contamination
 $S = 100\% \cdot \Delta p \div p_{Filter}$
 S = Contamination degree in %
 Δp = Differential pressure in Pa
 p_{Filter} = differential pressure filter replacement in Pa



Level display
 $h = \Delta p \div (\rho \cdot g)$
 h = Fill level height in cm
 Δp = Differential pressure in Pa
 ρ = Density 700...1300 in kg/m³
 g = 9.81 m/s²



PREMASREG® 716x-VAQ
with display,
hinged



TYPES OF MONITORING:

- (A) Below-atmospheric pressure:**
P1 (+) is not connected, but open to the atmosphere
P2 (-) connected to inside of duct
 - (B) Filter:**
P1 (+) connected upstream of filter
P2 (-) connected downstream of filter
 - (C) Ventilator:**
P1 (+) connected downstream of ventilator
P2 (-) connected upstream of ventilator
 - (D) Volume flow:**
P1 (+) dynamic pressure, Connected in flow direction
P2 (-) static pressure, Connected free of dynamic pressure components
 - (E) Level:**
P1 (+) Connection submerged in medium
P2 (-) Connection is open to the atmosphere
- Pressure connections at the pressure switch are marked with P1 (+) for higher pressure and P2 (-) for lower pressure.

Conversion table for pressure values:

Unit =	bar	mbar	Pa	kPa	mWS
1 Pa	0,00001 bar	0,01 mbar	1 Pa	0,001 kPa	0,000101971 mWS
1 kPa	0,01 bar	10 mbar	1000 Pa	1 kPa	0,101971 mWS
1 bar	1 bar	1000 mbar	100000 Pa	100 kPa	10,1971 mWS
1 mbar	0,001 bar	1 mbar	100 Pa	0,1 kPa	0,0101971 mWS
1 mWS	0,0980665 bar	98,0665 mbar	9806,65 Pa	9,80665 kPa	1 mWS

PREMASREG® 716x-VAQ
with M12 connector



PREMASREG® 716x-VAQ Pressure measuring transducers / switches / monitors for volume flow, differential pressure, filter monitoring and liquid level detection, *ID* Stainless steel housing with M12 connector

Measuring Range	Type / WG02I	Output	Display	Item No.	Price
Pressure / Volume Flow			● = Q		

0...1000 Pa	Type 7161				
k = 3000 94800 m³/h	PREMASREG 7161-UW VAQ LCD	0-10V 1x Changeover contact	● ■	2004-6192-4100-021	827,81 €

0...5000 Pa	Type 7165				
k = 3000 212100 m³/h	PREMASREG 7165-UW VAQ LCD	0-10V 1x Changeover contact	● ■	2004-6192-4100-031	827,81 €

Housing variant "Q":	Cable connection with M12 connector (male, 12-pin , A-code)				
Multi-range switching:	The pressure ranges depend on the device type and can be set via DIP switches.				
Extra charge:	with optional pipe fitting made from stainless steel V2A for pressure lines Ø 6 mm				43,20 €

ACCESSORIES

xx-M12 **Special accessories for M12 connector**

For further information, see chapter Accessories!



PREMASREG® 716x-VA with cable gland



PREMASREG® 716x-VA		Pressure measuring transducers / switches / monitors for volume flow, differential pressure, filter monitoring and liquid level detection, ID				
Measuring Range Pressure / Volume Flow		Type / WG02I	Output	Display	Item No.	Price
0...1000 Pa		Type 7161				
k = 3000	94800 m³/h	PREMASREG 7161-UW VA LCD	0-10V 1x Changeover contact	■	2004-6192-4200-021	788,11 €
0...5000 Pa		Type 7165				
k = 3000	212100 m³/h	PREMASREG 7165-UW VA LCD	0-10V 1x Changeover contact	■	2004-6192-4200-031	788,11 €
Housing variant:		Cable connection with cable gland made from stainless steel V2A (1.4305)				
Multi-range switching:		The pressure ranges depend on the device type and can be set via DIP switches.				
Extra charge:		with optional pipe fitting made from stainless steel V2A for pressure lines Ø 6 mm				43,20 €



Pressure port for PVC / fabric pressure hose (as standard)



Pressure port for pressure lines / pipes (optional)

Barometers /

Measuring transducers for atmospheric pressure, calibratable, with active output

ALD

Calibratable barometer **PREMASGARD® ALD** with active output (U/I switchable) and 4 measuring ranges (max. 600...1100 hPa, switchable), in a compact plastic housing with quick-locking screws, optionally with/without display.

The pressure sensor is used for measuring atmospheric air pressure in clean air (non-precipitating) or other non-aggressive, non-combustible gases. It is used in various applications such as ventilation and air conditioning technology, in meteorological measurement stations and air-pressure-dependent control systems.

The piezoresistive measuring element is temperature-compensated and guarantees a high degree of reliability and accuracy. The sensor is factory-calibrated; an environmental precision adjustment by an expert is possible.



TECHNICAL DATA

Power supply:	24 V AC/DC (± 10%)
Working resistance:	R _a (Ohm) = 25 ...450 Ohm for I-output
Load resistance:	R _L > 25 kOhm for U-output
Power consumption:	< 1 W at 24 V DC; < 2 VA at 24 V AC
Current consumption:	< 45 mA
Measuring ranges:	multi-range switching with 4 switchable measuring ranges (see table)
Output:	switchable 0-10V / 4...20 mA (via DIP switches)
Connection type:	3-wire connection
Ambient temperature:	storage -35...+85 °C; operation -30...+75 °C, non-precipitating
Type of pressure:	atmospheric air pressure/absolute pressure
Medium:	clean air and non-aggressive, non-combustible gases
Accuracy:	typically ± 0.4 kPa compared to calibrated reference device
Zero point offset:	± 50 hPa
Positive pressure:	200 kPa
Signal filtering:	switchable 1 s / 10 s (via DIP switches)
Temperature drift:	± 0.1 % of final value per °C
Housing:	plastic, UV-resistant, polyamide material, 30 % glass-globe reinforced, with quick-locking screws (slotted / Phillips head combination), colour traffic white (similar to RAL 9016), housing cover for display is transparent!
Housing dimensions:	72 x 64 x 37.8 mm (Tyr 1 without display) 72 x 64 x 43.3 mm (Tyr 1 with display)
Cable connection:	cable gland , plastic (M 16 x 1.5; with strain relief, exchangeable, inner diameter 10.4 mm) or M12 plug-in connector (flush-type connector, 5-pin, A-coding) according to DIN EN 61076-2-101 (optional, available upon request)
Electrical connection:	0.14 - 1.5 mm ² , via screw terminals
Air humidity:	< 95 % RH, non-precipitating air
Protection class:	III (according to EN 60 730)
Protection type:	IP65 (according to EN 60 529) housing tested, TÜV SÜD, report no. 713139052 (Tyr 1)
Standards:	CE conformity, electromagnetic compatibility according to EN 61 326, EMC Directive 2014 / 30 / EU
Equipment:	display , one-line, cutout approx. 36 x 15 mm (W x H), for displaying the atmospheric air pressure /absolute pressure
ACCESSOIRES	see chapter Accessories
WS-04	weather and sun protection hood , 130 x 180 x 135 mm, stainless steel V2A (1.4301)

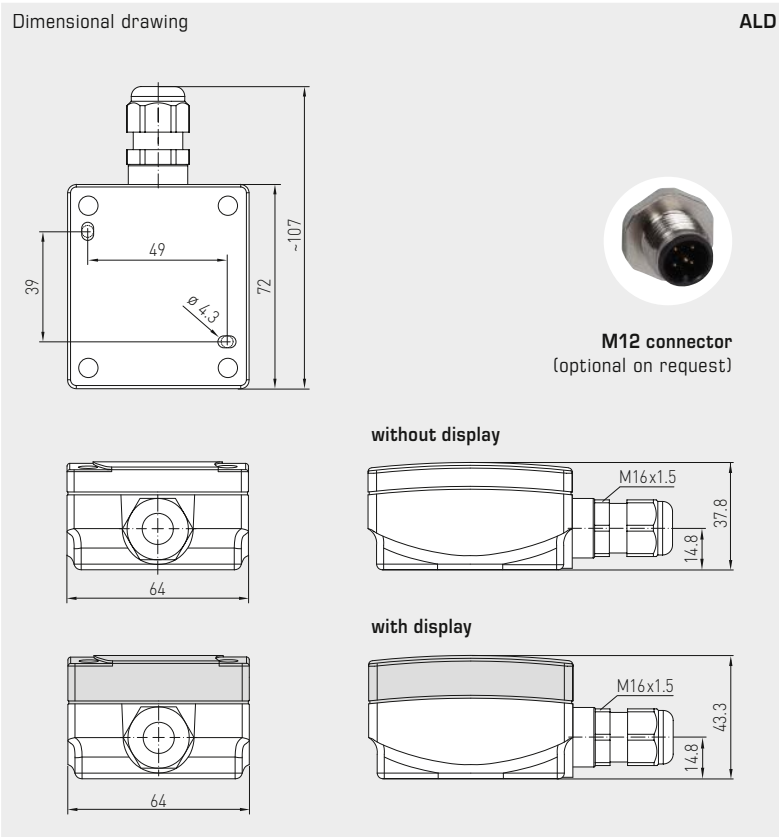
Pressure range (adjustable)	DIP 1	DIP 2
600...1100 hPa	OFF	OFF
700...1100 hPa	ON	OFF
800...1100 hPa	OFF	ON
900...1100 hPa (default)	ON	ON

Measurement signal filtering (selectable time interval)	DIP 5
10 s (default)	OFF
1 s	ON

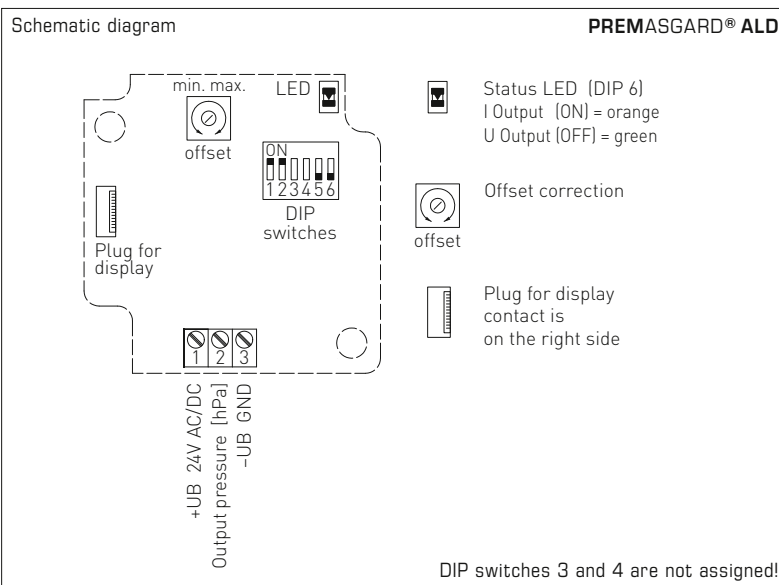
Output (selectable)	DIP 6
Voltage 0-10V (default)	OFF
Current 4... 20 mA	ON

Conversion table for pressure values:

Unit =	bar	mbar	Pa	kPa	mWS
1 Pa	0,00001 bar	0,01 mbar	1 Pa	0,001 kPa	0,000101971 mWS
1 kPa	0,01 bar	10 mbar	1000 Pa	1 kPa	0,101971 mWS
1 bar	1 bar	1000 mbar	100000 Pa	100 kPa	10,1971 mWS
1 mbar	0,001 bar	1 mbar	100 Pa	0,1 kPa	0,0101971 mWS
1 mWS	0,0980665 bar	98,0665 mbar	9806,65 Pa	9,80665 kPa	1 mWS



ALD
with display



WS-04
Weather and sun protection hood
(optional)



PREMASGARD® ALD Measuring transducer for atmospheric pressure

Pressure range (adjustable)	Type / WG01	Output (switchable)	Display	Item no.	Price
max. 600...1100 hPa	ALD				
600...1100 hPa	ALD	0-10V / 4...20mA		1301-1157-0130-200	172,75 €
700...1100 hPa					
800...1100 hPa	ALD LCD	0-10V / 4...20mA		1301-1157-2130-200	203,72 €
900...1100 hPa					
Multi-range switching:	The pressure ranges can be set via DIP switches.				
Output:	0-10V or 4...20 mA (selectable via DIP switches)				
Optional:	Cable connection with M12 connector according to DIN EN 61076-2-101 (on request)				



**Differential pressure switches for air,
with mounting angle, incl. connection set**

The mechanical differential pressure switch / differential pressure monitor **PREMASREG® DS 1** with metal angle is used for monitoring above-atmospheric, differential, and below-atmospheric pressures of air and gaseous, non-aggressive media in air ducts, ventilation intake or exhaust devices, as a flow monitor, as a pressure difference detector or pressure monitor for flow detection at electric heating registers, for monitoring V-belts and filters, as air pressure deficiency protection, for monitoring fans and air dampers, or as a limit value controller. The switchpoint is adjusted using the internal precision scale.

These instruments are factory-calibrated. The differential pressure switch DS 1 is supplied including connection set **ASD-06** (2m connection hose, two pressure connection nipples, screws) and mounting angle **DS-MW-Z**.

DS 1
with mounting angle



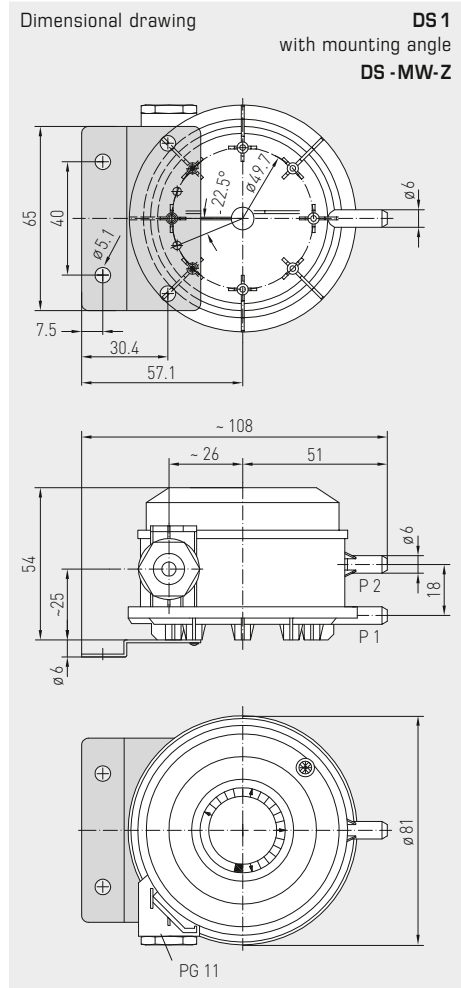
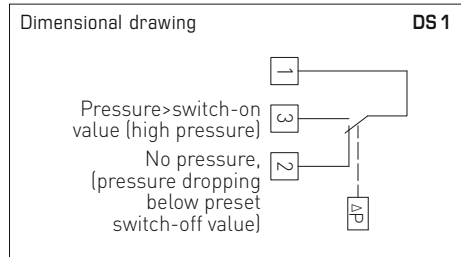
TECHNICAL DATA

Switching capacity: (Contact load)	5 (0.8) A, 250 V AC 4 (0.7) A, 30 V DC
Contact:	single-pole potential-free changeover contact, multi-layer contact, gold-plated (DDC compatible)
Pressure range:	see table, high adjustment accuracy due to individual laser-etched scale for each switch
Housing:	base: material PC (10% GF), colour light grey (similar to RAL 7035), snap-on lid: material PC, transparent, cable gland PG 11 with strain relief
Temperature of medium:	-30...+85 °C
Membrane:	silicone, LSR (Liquid Silicon Rubber, tempered at +200 °C, non-outgassing, LABS-free, no emission of varnish-adhesion inhibiting substances), long-term stability of switching points due to trapezoidal bead membranes
Humidity:	< 90% RH, non-precipitating air
Electrical connection:	0.14 - 1.5 mm ² , via terminal screws with torsion protection
Pressure connection:	with connection nozzles for pressure hose Ø 6 mm
Mounting:	with metal angle DS-MW-Z (included in the scope of delivery) (for other optional shapes, see table) Recommended mounting position: vertical (pressure connections downward) – factory setting; horizontal (cap up / down)
Protection class:	II (according to EN 60 730)
Protection type:	IP 54 (according to EN 60529) with top cover
Standards:	CE conformity, low-voltage directive 2014 / 35 / EU
Tests:	DVGW (according to DIN 1854), VDE 0630, EN 61058, directive on gas devices 2009 / 142 / EU, CE 0085 A P 0918

FUNCTION
Contact 1 - 2 breaks when pressure / differential pressure rises to the preset value.
Contact 1 - 3 closes when pressure / differential pressure drops and can be used as signal contact.

ACCESSORIES

ASD-06	Connection set (nipple straight) – (included in the scope of delivery)
DS-MW-Z	Mounting angle (included in the scope of delivery)
DS-MW-L	Mounting angle (optional)
DS1-MW-U	Mounting angle (optional), combination bracket for vertical or horizontal mounting
WS-04	Weather and sun protection hood , 130 x 180 x 135 mm, aus stainless steel V2A (1.4301)



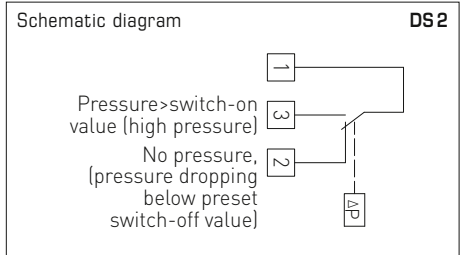
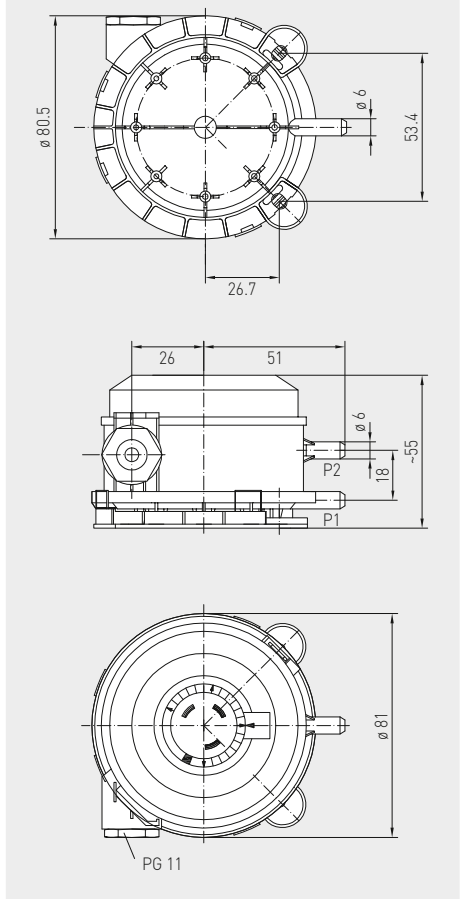


The mechanical differential pressure switch / differential pressure monitor **PREMASREG® DS-2** with 4-hole plastic base ring is used for monitoring above-atmospheric, differential and below-atmospheric pressures of clean air and other gaseous, non-aggressive non-combustible media in air ducts, air intake or exhaust devices, as a pressure difference detector or pressure monitor for flow detection at electric heating registers, for monitoring V-belts and filters, as air pressure deficiency protection, for monitoring fans and air dampers, or as a limit value controller. The switchpoint is adjusted using the internal precision scale.

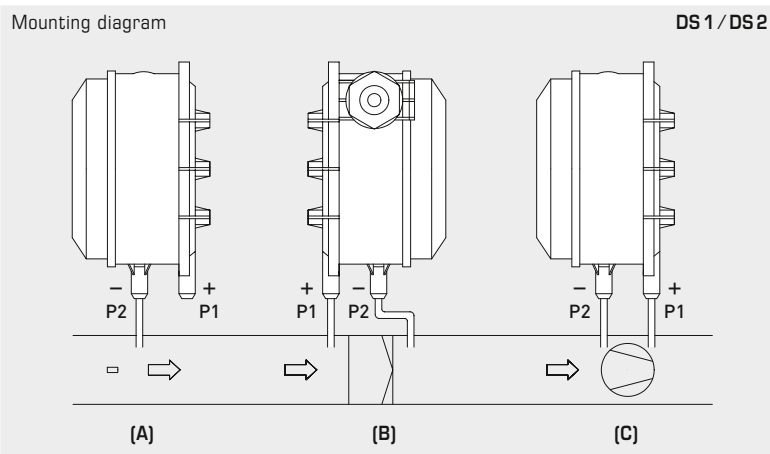
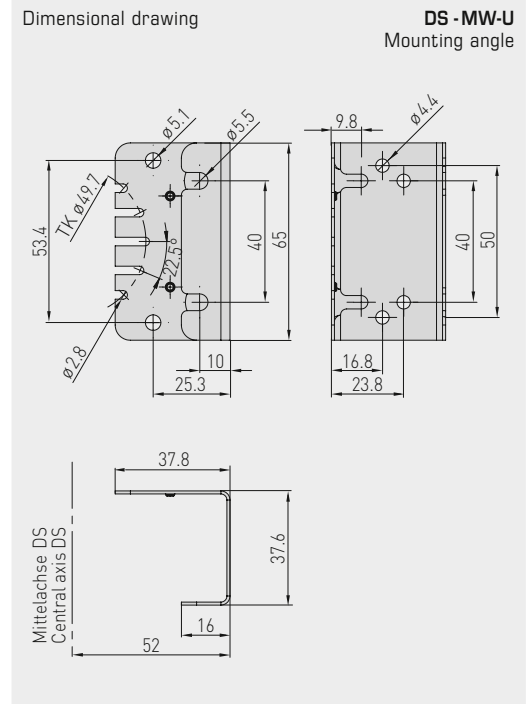
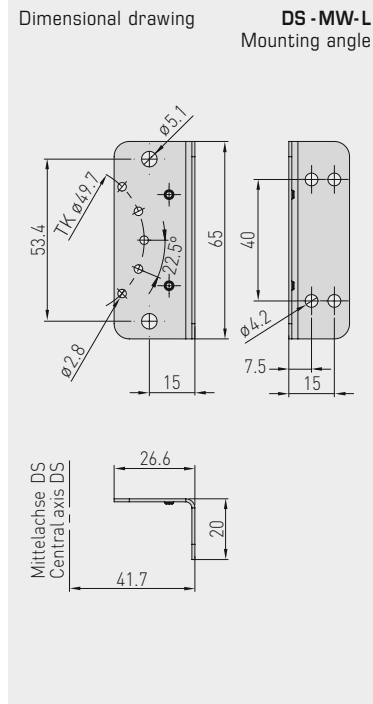
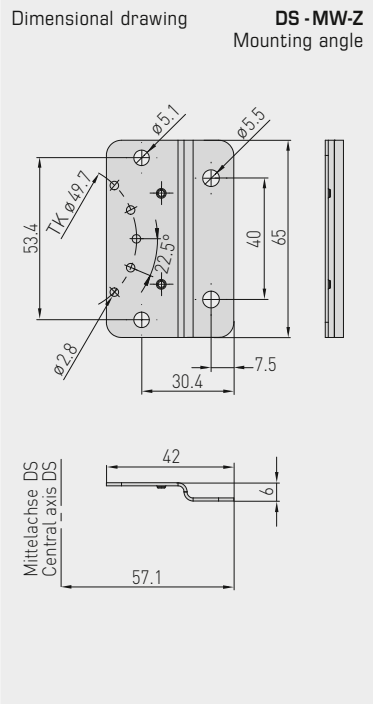
These instruments are factory-calibrated. The differential pressure switch DS 2 is supplied including connection set **ASD-06** (2 m connection hose, two pressure connection nipples, screws) and mounting ring **DS-MR-K**.

TECHNICAL DATA

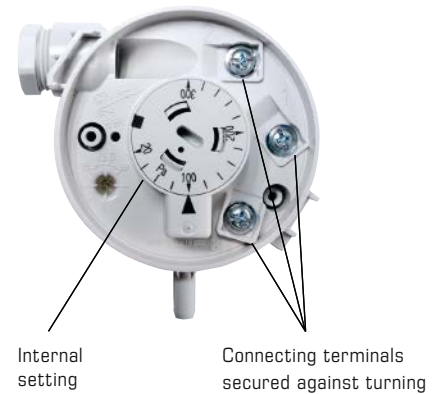
Switching capacity: (Contact load)	5 (0.8) A, 250 V AC 4 (0.7) A, 30 V DC
Contact:	single-pole potential-free changeover contact, multi-layer contact, gold-plated (DDC compatible)
Pressure range:	see table, high adjustment accuracy due to individual laser-etched scale for each switch
Housing:	base: material PC (10 % GF), colour light grey (similar to RAL 7035), snap-on lid: material PC, transparent, cable gland PG 11 with strain relief
Temperature of medium:	-30...+85 °C
Membrane:	silicone, LSR (Liquid Silicon Rubber, tempered at +200 °C, non-outgassing, LABS-free, no emission of varnish-adhesion inhibiting substances), long-term stability of switching points due to trapezoidal bead membranes
Humidity:	< 90 % RH, non-precipitating air
Electrical connection:	0.14 - 1.5 mm ² , via terminal screws with torsion protection
Pressure connection:	with connection nozzles for pressure hose \varnothing 6 mm
Mounting:	by 4-hole base ring, plastic (included in the scope of delivery), recommended mounting position: vertical (pressure connections downward) – factory setting, horizontal (cap up/down)
Protection class:	II (according to EN 60730)
Protection type:	IP 54 (according to EN 60529) with top cover
Standards:	CE conformity, low-voltage directive 2014 / 35 / EU
Tests:	DVGW (according to DIN 1854), VDE 0630, EN 61058, directive on gas devices 2009 / 142 / EU, CE 0085 A P 0918
FUNCTION	Contact 1 - 2 breaks when pressure / differential pressure rises to the preset value. Contact 1 - 3 closes when pressure / differential pressure drops and can be used as signal contact.
ACCESSORIES	
ASD-06	Connection set (nipple straight) – (included in the scope of delivery)
DS-MR-K	Mounting ring (included in the scope of delivery)
WS-04	Weather and sun protection hood , 130 x 180 x 135 mm, aus stainless steel V2A (1.4301)

DS2
with mounting ring**DS2**
with mounting ring
DS-MR-K

Differential pressure switches for air,
including connection set



DS 1 / DS 2
Connection

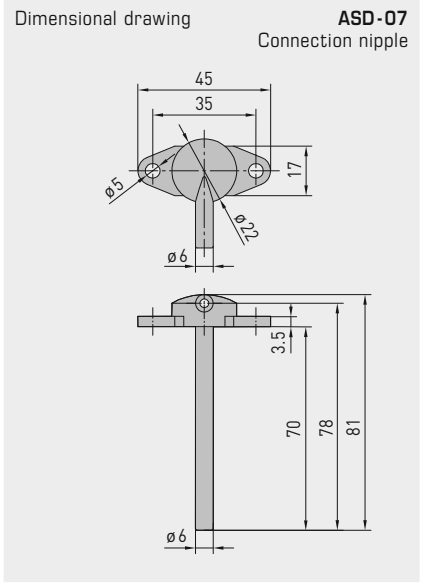
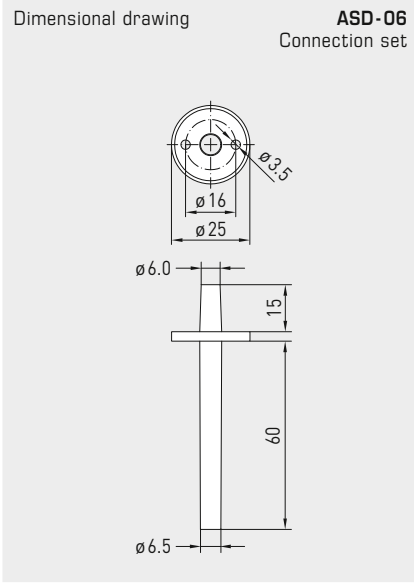
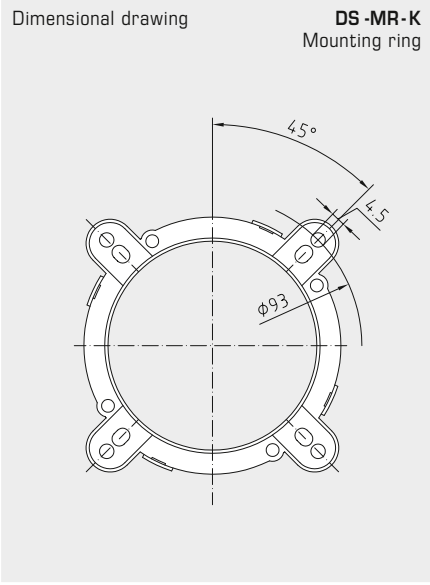


TYPES OF MONITORING:

- (A) Below-atmospheric pressure:**
P1 (+) is not connected but open against atmosphere
P2 (-) connected to inside of duct
 - (B) Filter:**
P1 (+) connected upstream of filter
P2 (-) connected downstream of filter
 - (C) Ventilator:**
P1 (+) connected downstream of ventilator
P2 (-) connected upstream of ventilator
- Pressure connections at the pressure switch are marked with P1 (+) for higher pressure and P2 (-) for lower pressure.

Conversion table for pressure values:

Unit =	bar	mbar	Pa	kPa	mWS
1 Pa	0.00001 bar	0.01 mbar	1 Pa	0.001 kPa	0.000101971 mWS
1 kPa	0.01 bar	10 mbar	1000 Pa	1 kPa	0.101971 mWS
1 bar	1 bar	1000 mbar	100000 Pa	100 kPa	10.1971 mWS
1 mbar	0.001 bar	1 mbar	100 Pa	0.1 kPa	0.0101971 mWS
1 mWS	0.0980665 bar	98.0665 mbar	9806.65 Pa	9.80665 kPa	1 mWS



PREMASREG® DS 1 Differential pressure switches with mounting angle, *Premium*
PREMASREG® DS 2 Differential pressure switches with mounting ring, *Standard*

Type	Pressure range (adjustable)	Operating Difference approx.	Max. Pressure	Item No.	Price
DS 1 / WG02	<i>Premium</i>			with mounting angle DS-MW-Z	
DS-106	20... 300 Pa (0.2...3.0 mbar)	0.1 mbar ± 15%	5000 Pa (50 mbar)	1302-4011-0000-000	54,80 €
DS-106 A	50... 500 Pa (0.5...5.0 mbar)	0.2 mbar ± 15%	5000 Pa (50 mbar)	1302-4012-0000-000	54,80 €
DS-106 B	100... 1000 Pa (1.0...10.0 mbar)	0.4 mbar ± 15%	5000 Pa (50 mbar)	1302-4013-0000-000	54,80 €
DS-106 C	500...2000 Pa (5.0...20.0 mbar)	1.0 mbar ± 15%	5000 Pa (50 mbar)	1302-4014-0000-000	54,80 €
DS-106 D	1000...5000 Pa (10.0...50.0 mbar)	2.5 mbar ± 15%	7500 Pa (75 mbar)	1302-4015-0000-000	54,80 €
DS 2 / WG03B	<i>Standard</i>			with mounting ring DS-MR-K	
DS-205 F	20... 300 Pa (0.2...3.0 mbar)	0.1 mbar ± 15%	5000 Pa (50 mbar)	1302-4026-0000-000	36,16 €
DS-205 B	50... 500 Pa (0.5...5.0 mbar)	0.2 mbar ± 15%	5000 Pa (50 mbar)	1302-4022-0000-000	36,16 €
DS-205 D	100... 1000 Pa (1.0...10.0 mbar)	0.4 mbar ± 15%	5000 Pa (50 mbar)	1302-4027-0000-000	36,16 €
DS-205 E	500...2000 Pa (5.0...20.0 mbar)	1.0 mbar ± 15%	5000 Pa (50 mbar)	1302-4028-0000-000	36,16 €
ACCESSORIES					
DS-MW-Z	Sheet steel mounting angle in Z-form (DS 1: included in the scope of delivery)			7100-0063-0000-000	13,76 €
DS-MW-L	Sheet steel mounting angle in L-form			7100-0063-1000-000	14,08 €
DS-MW-U	Sheet steel mounting angle in U-form			7100-0060-9000-000	17,31 €
ASD-06	Connection set (included in the scope of delivery) , consisting of 2 connection nipples (straight) made of ABS, 2 m PVC hose (soft, UV-resistant) and 4 screws			7100-0060-3000-000	7,87 €
ASD-07	2 connection nipples (at 90 degree angle) made of plastic, ABS			7100-0060-7000-000	7,87 €
WS-04	Weather and sun protection hood , 130 x 180 x 135 mm, stainless steel V2A (1.4301)			7100-0040-7000-000	38,61 €

For further information, see last chapter Accessories!

Pressure measuring transducers, incl. DIN plug-in connectors, with active output

The pressure sensor **PREMASGARD® SHD-SD** is used for measuring relative pressures (min. 0...6 bar / max. 0...16 bar) in gaseous and liquid media. **Not suitable for ammonia and freon!**

The pressure sensor **PREMASGARD® SHD** is used for measuring relative pressures (min. 0...1 bar / max. 0...40 bar) in gaseous and liquid media. The pressure measuring cell is welded to the pressure sensors without a gasket.

The pressure measuring transducer converts the measurand into a standard signal of 0-10 V or 4...20 mA. Process connection is G 1/2". This pressure transmitter is used in hydraulics, pneumatics, process technology, in mechanical and plant engineering.

SHD xx
with display



TECHNICAL DATA

Power supply:	24 V AC / DC for output 0-10 V 7-33 V DC for output 4...20 mA
Measuring ranges:	see table (other ranges upon request)
Output:	0-10 V, 3-wire, (working resistance > 10 kOhm) or 4...20 mA, 2-wire, (working resistance < (UB (V) - 7 V) / 0,02 A; R _L depending on working resistance
Electrical connection:	0.25 - 1.5 mm ² , via plug-in connector DIN EN 175301-803-A (included in the scope of delivery)
Pressure connection:	G 1/2" sealing at the back
Type of pressure:	relative
Medium:	liquid and gaseous
Response time:	2 ms (1 ms typical)
Characteristic line:	± 0.3%
Mounting:	directly on pressure line
Housing:	stainless steel V2A (1.4305)
Connecting head:	plastic, approx. 98 x 50 x 34 mm

SHD-SD

Measuring principle:	ceramic measuring cell
Temperature of medium:	-15...+125 °C
Medium contacting parts:	stainless steel V2A (1.4305); measuring element ceramic Al ₂ O ₃ (96%); sealing material FPM (Viton)
Load changes:	< 100 Hz
Overload range / Bursting pressure:	< 4 bar: 3 x FS > 4 bar: 2.5 x FS

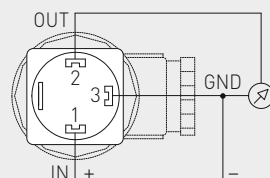
SHD

Measuring principle:	steel measuring cell
Temperature of medium:	-40...+135 °C
Medium contacting parts:	stainless steel V2A (1.4305)
Overload range:	< 6 bar: 5 x of final valu > 6 bar: 3 x of final valu (max. 1500 bar)
Bursting pressure:	< 6 bar: 10 x of final valu > 6 bar: 6 x of final valu (max. 2500 bar)
Protection class:	III (according to EN 60 730)
Protection type:	IP 65 (according to EN 60 529)
Standards:	CE conformity, electromagnetic compatibility according to EN 61 326, EMC directive 2014 / 30 / EU
Tests:	Drinking water approval according to NSF/ANSI 61/372, UL-certified according to ANSI/UL 61010-1
Optional:	with display module , made of plastic, polyamide material, black colour, LCD display rotatable and tilttable, for displaying the pressure (in bar, other units available upon request)

Connecting diagram

SHD xx-U

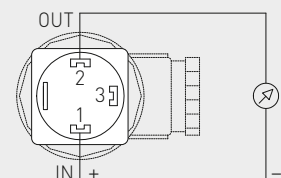
- Output pressure 0-10V
- GND
- Supply voltage UB+ 24V AC/DC

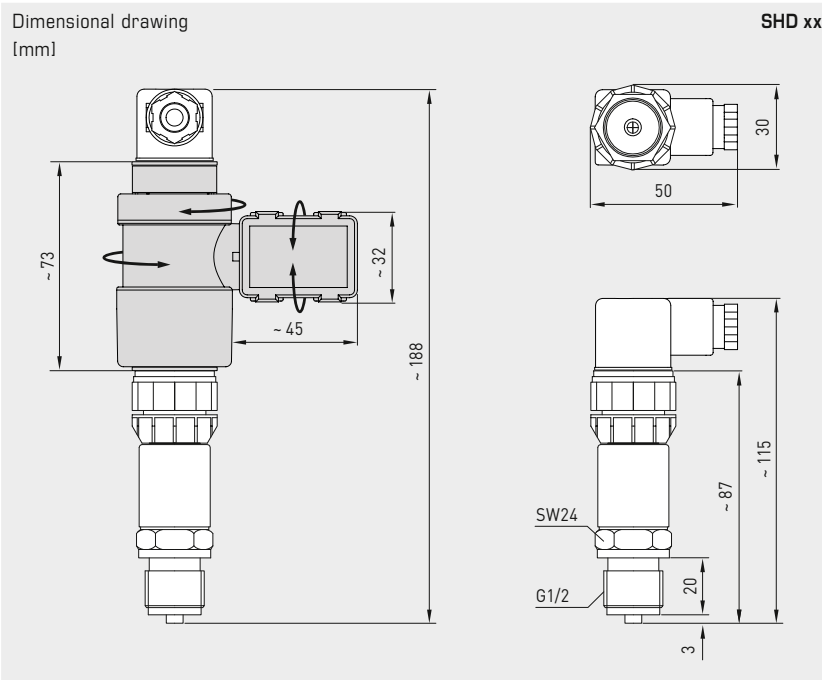


Connecting diagram

SHD xx-I

- Output pressure 4...20mA
- Free
- Supply voltage UB+ 24V DC





SHD xx
without display



PREMASGARD® SHD-SD		Pressure measuring transducer, <i>Standard</i> or gaseous and liquid media			
Measuring Range	Type / WG01	Display	Item No. Output 0-10V	Item No. Output 4...20mA	Price
	SHD-SD-x = U / I		U-variant	I-variant	
0... 6 bar	SHD-SD-x 6		1301-2121-0550-120	1301-2122-0550-000	133,75 €
	SHD-SD-x 6 LCD	■	1301-2121-1550-120	1301-2122-1550-000	417,12 €
0... 10 bar	SHD-SD-x 10		1301-2121-0560-120	1301-2122-0560-000	133,75 €
	SHD-SD-x 10 LCD	■	1301-2121-1560-120	1301-2122-1560-000	417,12 €
0... 16 bar	SHD-SD-x 16		1301-2121-0570-120	1301-2122-0570-000	133,75 €
	SHD-SD-x 16 LCD	■	1301-2121-1570-120	1301-2122-1570-000	417,12 €
Note:	Not suitable for ammonia and freon!				

PREMASGARD® SHD		Pressure measuring transducer, <i>Premium</i> for gaseous and liquid media			
Measuring Range	Type / WG01	Display	Item No. Output 0-10V	Item No. Output 4...20mA	Price
	SHD-x = U / I		U-variant	I-variant	
0... 1 bar	SHD-x 1		1301-2111-0520-220	1301-2112-0520-120	220,94 €
	SHD-x 1 LCD	■	1301-2111-1520-220	1301-2112-1520-120	504,32 €
0... 2,5 bar	SHD-x 2,5		1301-2111-0530-220	1301-2112-0530-120	220,94 €
	SHD-x 2,5 LCD	■	1301-2111-1530-220	1301-2112-1530-120	504,32 €
0... 6 bar	SHD-x 6		1301-2111-0550-220	1301-2112-0550-120	159,97 €
	SHD-x 6 LCD	■	1301-2111-1550-220	1301-2112-1550-120	443,34 €
0... 10 bar	SHD-x 10		1301-2111-0560-220	1301-2112-0560-120	159,97 €
	SHD-x 10 LCD	■	1301-2111-1560-220	1301-2112-1560-120	443,34 €
0... 16 bar	SHD-x 16		1301-2111-0570-220	1301-2112-0570-120	159,97 €
	SHD-x 16 LCD	■	1301-2111-1570-220	1301-2112-1570-120	443,34 €
0... 25 bar	SHD-x 25		1301-2111-0580-220	1301-2112-0580-120	220,94 €
	SHD-x 25 LCD	■	1301-2111-1580-220	1301-2112-1580-120	504,32 €
0... 40 bar	SHD-x 40		1301-2111-0590-220	1301-2112-0590-120	220,94 €
	SHD-x 40 LCD	■	1301-2111-1590-220	1301-2112-1590-120	504,32 €

**Pressure measuring transducers,
incl. DIN plug-in connectors and mounting angle,
with active output**

The pressure sensor / differential pressure sensor **PREMASGARD® SHD-692** is used for pressure measurement in gaseous and liquid media. It converts the measurand into standard signals of 0-10 V or 4...20 mA. Process connection is 2 x G 1/8" - 27 NPT internal thread. SHD-692 differential pressure transmitters are used in piping and hydraulic systems, in mechanical and plant engineering as well as in building automation.

Not applicable for ammonia and freon!

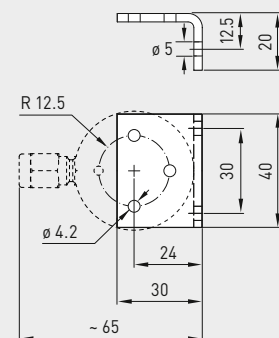
SHD 692
with display



TECHNICAL DATA

Power supply:	24 V AC (+15% / -10%), 18 - 33V DC for U-variant 24 V DC (± 20%) for I-variant
Measuring ranges:	see table
Output:	0-10 V (3-wire connection) or 4...20 mA (2-wire connection)
Permissible working resistance: (at nominal voltage)	$R_L > 10 \text{ k}\Omega$ for U-variant $R_L < 600 \Omega$ for I-variant
Electrical connection:	0.25 - 1.5 mm ² , via plug-in connector DIN EN 175301-803-A (included in the scope of delivery)
Pressure connection:	screw pipe connection for 6 mm pipe (G 1/8" - 27 NPT internal thread)
Type of pressure:	differential pressure
Measuring principle:	ceramic measuring cell
Medium:	liquid or gaseous
Temperature of medium:	-15...+80 °C
Housing:	stainless steel V2A (1.4305)
Mounting:	by mounting angle (included in the scope of delivery), installation arbitrary
Medium contacting parts:	INOX (1.4305), ceramics, sealing material EPDM
Response time:	< 5 ms
Class:	0.5 %
Total error:	< 1.3 %
Overload range:	see table (one-sided max. pressure)
System pressure:	max. 25 bar (P1 + P2)
Bursting pressure:	1.5 x system pressure
Insulating resistance:	≥ 100 MΩm, at +20 °C (500 V DC)
Protection class:	III (according to EN 60 730)
Protection type:	IP 65 (according to EN 60 529)
Standards:	CE conformity, electromagnetic compatibility according to EN 61 326, EMC directive 2014 / 30 / EU
Optional:	with display module , made of plastic, polyamide material, black colour, LCD display rotatable and tiltable, for displaying the pressure (in bar, other units available upon request)

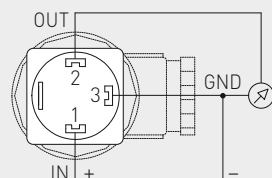
Dimensional drawing [mm] **SHD 692**
Mounting angle



Connecting diagram

SHD 692-U

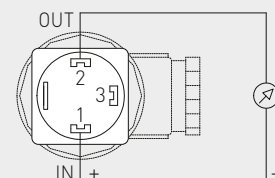
- 2 Output pressure 0-10V
- 3 GND
- 1 Supply voltage UB+ 24V AC / 18-33V DC



Connecting diagram

SHD 692-I

- 2 Output pressure 4...20mA
- 3 Free
- 1 Supply voltage UB+ 24V DC

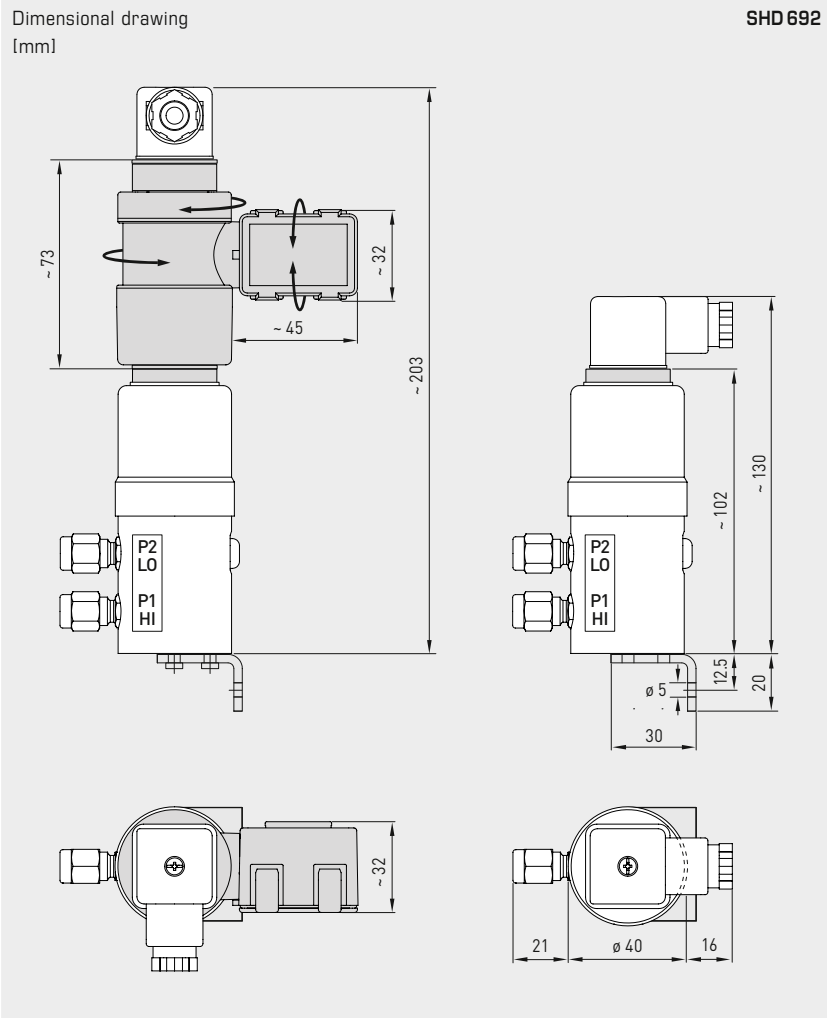




S+S REGELTECHNIK

PREMASGARD® SHD 692

Pressure measuring transducers,
incl. DIN plug-in connectors and mounting angle,
with active output



SHD 692
without display



PREMASGARD® SHD 692 Pressure measuring transducers, *Deluxe* or gaseous and liquid media

Measuring Range	One-Sided max. pressure	Typd / WG02	Display	Item No. Output 0-10V	Item No. Output 4...20mA	Price
		SHD 692-x = U / I		U - variant	I - variant	
0...0,1 bar	0,6 bar	SHD 692-x-900		1301-4121-0500-000	1301-4122-0500-000	363,38 €
		SHD 692-x-900-LCD	■	1301-4121-1500-000	1301-4122-1500-000	646,76 €
0...0,5 bar	3 bar	SHD 692-x-907		1301-4121-0510-000	1301-4122-0510-000	363,38 €
		SHD 692-x-907-LCD	■	1301-4121-1510-000	1301-4122-1510-000	646,76 €
0... 1 bar	5 bar	SHD 692-x-912		1301-4121-0520-000	1301-4122-0520-000	363,38 €
		SHD 692-x-912-LCD	■	1301-4121-1520-000	1301-4122-1520-000	646,76 €
0...2,5 bar	12 bar	SHD 692-x-916		1301-4121-0530-000	1301-4122-0530-000	363,38 €
		SHD 692-x-916-LCD	■	1301-4121-1530-000	1301-4122-1530-000	646,76 €
0... 4 bar	12 bar	SHD 692-x-918		1301-4121-0540-000	1301-4122-0540-000	363,38 €
		SHD 692-x-918-LCD	■	1301-4121-1540-000	1301-4122-1540-000	646,76 €
0... 6 bar	12 bar	SHD 692-x-919		1301-4121-0550-000	1301-4122-0550-000	363,38 €
		SHD 692-x-919-LCD	■	1301-4121-1550-000	1301-4122-1550-000	646,76 €
0... 10 bar	20 bar	SHD 692-x-930		1301-4121-0560-000	1301-4122-0560-000	363,38 €
		SHD 692-x-930-LCD	■	1301-4121-1560-000	1301-4122-1560-000	646,76 €

Note: Not suitable for ammonia and freon!





Light Intensity & Motion

PHOTASGARD® & KINASGARD® Light and shade under control

Our light intensity sensors and motion sensors or presence detectors are the obvious choice when it comes to energy saving and security.

They keep the costs for lighting, shading, heating and cooling within the green range. By the way – our solutions are also ideally suited for presence detection in security zones.

Application Areas

- Heating, ventilation, air conditioning and lighting systems
- Greenhouses, shading and solar protection
- Production facilities and offices in line with occupational health and safety regulations
- Access control, protected areas and security zones
- Parking lots, courtyards and corridors





PHOTASGARD® & KINASGARD® LIGHT INTENSITY AND MOTION SENSORS

Light intensity sensors

AHKF	Outdoor light intensity sensor	553
FSHKM	In-wall light intensity sensor	551
RHKF	Room light intensity sensor	552
DHKF	In-ceiling light intensity sensor	555

Motion sensors

ABWF	Outdoor motion sensor	559
FSBWF-W	In-wall motion sensor with changeover contact	557
RBWF	Room motion sensor	558
DBWF	In-ceiling motion sensor	561
DBWF-C	In-ceiling motion sensor	561

Light intensity and motion sensors

ABWF/LF	Outdoor motion and light sensor	565
RBWF/LF	Room motion and light sensor	563
DBWF/LF/FTF	In-ceiling motion and light sensor with humidity and temperature sensor	567





Light Intensity & Motion

PHOTASGARD® & KINASGARD®

Sensor technology for twilight and presence

Broad Spectrum

Our active motion and light intensity sensors are designed to be multi-functional. This reduces the diversity of types and expands their possible applications. Thanks to microprocessor technology, almost any measuring range can be represented, including custom specifications. Multi-range switching is selectable via DIP switches.

Optimum Precision

The devices are tested according to the latest criteria. Each sensor is precisely re-adjustable using offset potentiometers. Take advantage of our experience, our development, manufacturing and product know-how and order these products directly from the manufacturer.

Tested safety and certified quality



RoHS conforming materials



ESD compliant manufacturing



CE conformity



UKCA conformity (UK Conformity Assessed)

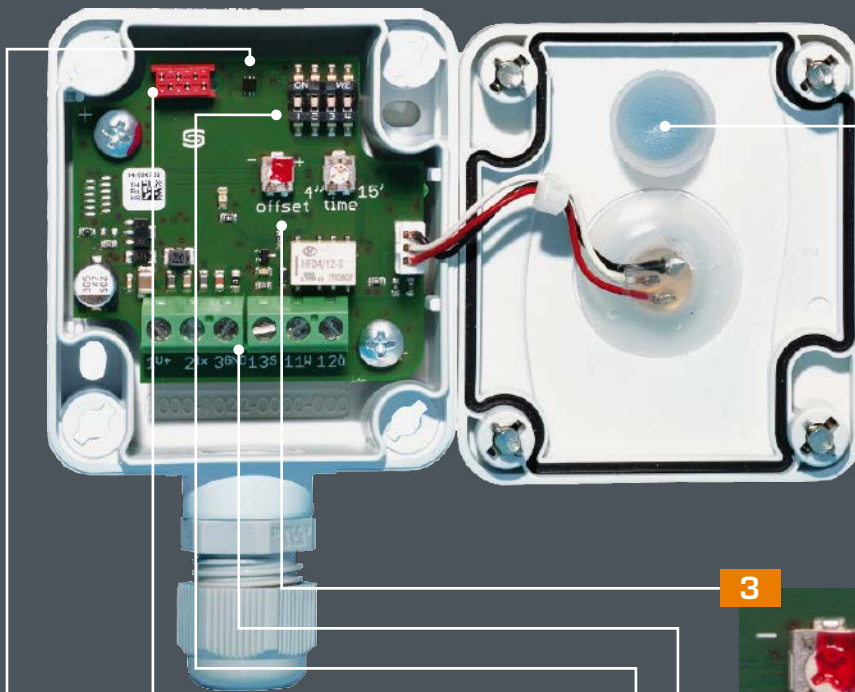
Development, production and sales are certified by TÜV Thüringen according to DIN EN ISO 9001:2015 (quality management) and ISO 14001:2015 (environmental management).



EAC certified



GOST certified



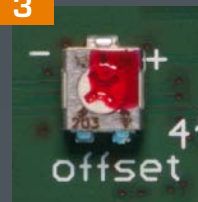
2



Diffusor

With diffusion and absorption rates specially matched to the light intensity sensor, extends the receiving characteristics over a wider angular range

3



Offset Potentiometer

For fine adjustment (zero point offset) and readjustment upon recalibration

4



Screw Terminals

Active output signals 0-10V, 4...20 mA or switched output

5

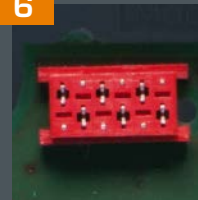


DIP Switches

For multi-range toggling and setting of 4 measuring ranges:

- RHKF 0.5/1/2/20 kLux
- AHKF 0.5/1/20/60 kLux

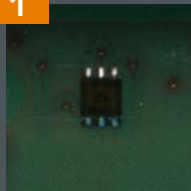
6



Quality Assurance

Calibration and balancing are done by means of the bus system

1



Digital Photo Sensor

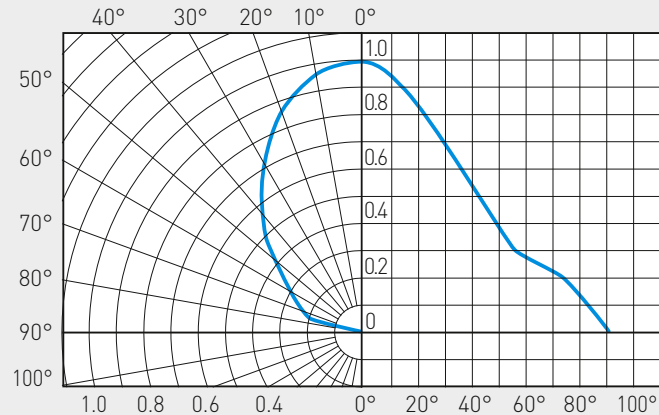
With high resolution and resistance to ageing, for a wide linear brightness range of 0-120 kLux

- Special measuring ranges possible, e.g. for twilight
- High measuring accuracy with max. < 5% deviation



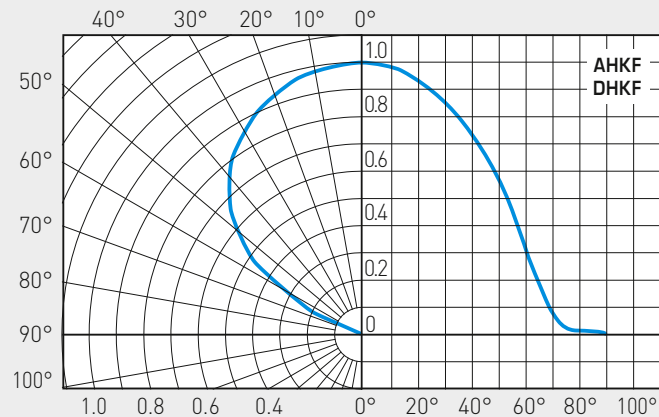
General information
Light sensor

Light sensor (indoor areas) PHOTASGARD®



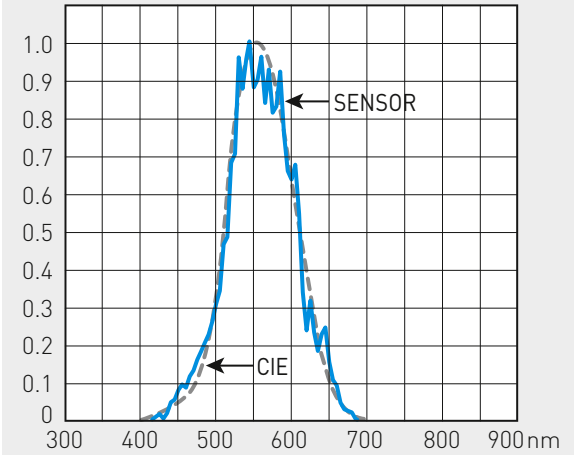
Characteristic curve showing the sensitivity of light sensor (indoor areas) relative to the angle of incidence of light.

Light sensor (outdoor areas) PHOTASGARD®



Characteristic curve showing the sensitivity of light sensor (outdoor areas) relative to the angle of incidence of light.

Light sensor (indoor and outdoor areas) PHOTASGARD®

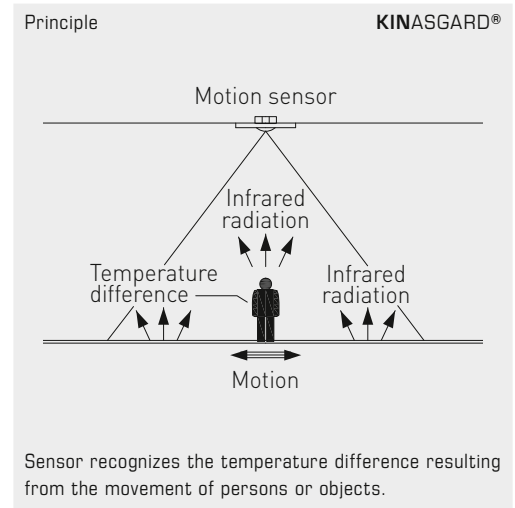
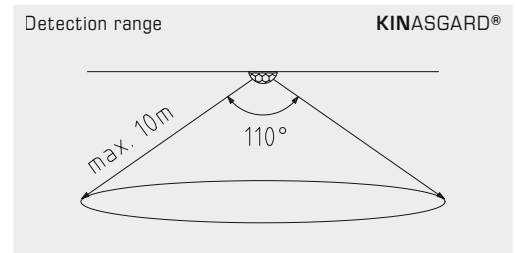
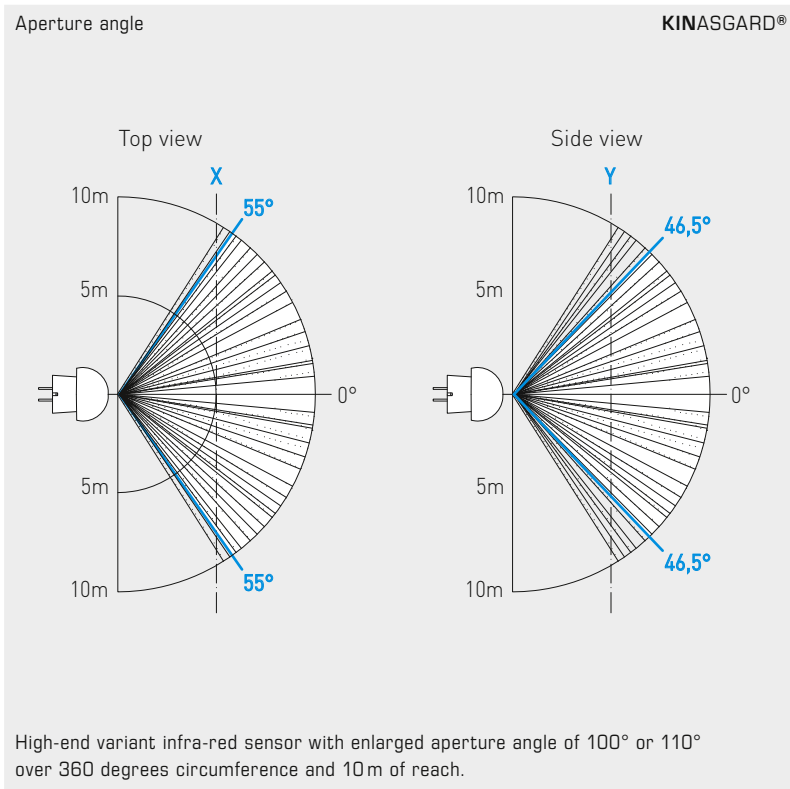


Characteristic curve showing the sensitivity of light sensor on the circuit board in respect of the wavelength of light.

The broken line represents the light perception of the human eye.

The light sensor used in PHOTASGARD® light intensity sensors was specifically adapted to the sensitivity of the human eye. Its greatest sensitivity is in the range of 400nm to 700nm.

With its special filter, the sensor is therefore ideally suited for measuring exposure to daylight and/or for measuring artificial light of high colour temperature (similar to sunlight).



In all **KINASGARD®** motion sensors and presence detectors, a high-end variant infra-red sensor with enlarged angle of aperture is exclusively used.

The patented lens system with 20 individual lenses results in only very small dark areas that are only a few centimetres wide even at a distance of 10 m, thereby reliably detecting small movements.

The sensor recognizes changes in the infra-red radiation spectrum, meaning heat radiation, resulting from the movement of persons or objects.

Such movements generate a temporary change of the temperature gradient in the field.

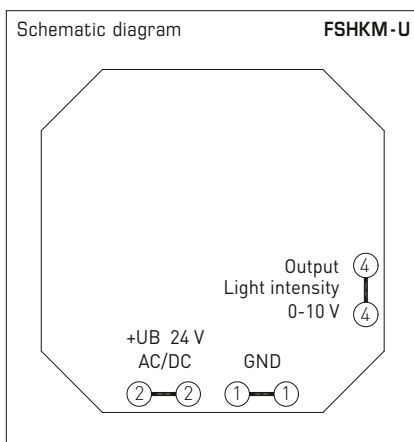
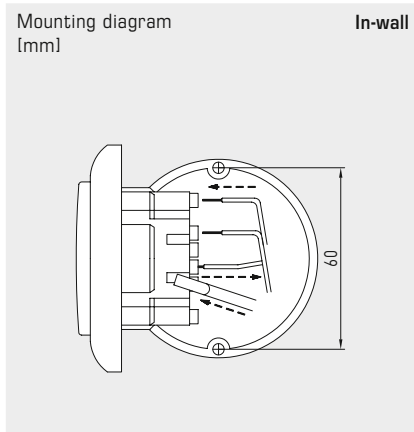
Due to the constant presence of body (heat) radiation, this sensor is ideally suitable for detecting persons. The temperature difference between sensor and object must be >5 K.

Room light intensity sensor and measuring transducer, in-wall in the panel switch programme, with active output

Maintenance-free light intensity sensor **PHOTASGARD® FSHKM** with active output, in in-wall housing, to determine the illuminance (0...1kLux). The measuring transducer converts the measured variables into a standard signal of 0-10V. The in-wall sensor is mounted in high-quality panel switch programmes, ideally of the brands Gira, Berker, Merten, Jung, Siemens or Busch-Jaeger (using in-wall adapters) either individually or in combination with light switches, socket outlets, etc.

The sensor is used to control luminaires, lighting systems, Venetian blinds and canvas blinds and for monitoring the lighting conditions. It is used indoors at workplaces, in corridors, offices, residential and business premises as well as industrial and storage halls as daylight-dependent constant light control, as brightness or twilight sensor and to control sun protection hoods to avoid unnecessary room heating.

The **light sensor (photodiode)** was specifically adapted to the sensitivity of the human eye. It is most sensitive in the range of 350 nm to 820 nm. With its special filter, the sensor is therefore ideally suited to exposure measurement of daylight and/or for measuring artificial light of high colour temperature (similar to sunlight).



TECHNICAL DATA

Power supply:	24 V AC / DC (± 10 %)
Power consumption:	typically < 2.0 VA / 24 V AC; typically < 1.0 W / 24 V DC

BRIGHTNESS

Sensor:	Light sensor (photo diode) (see beginning of this chapter)
Measuring range:	0...1 kLux (optionally other individual measuring ranges, e. g. 100 kLux)
Measuring accuracy:	typically ± 10 % final value
Output:	0 - 10 V (linearised)
Mounting:	in-wall flush box Ø 55 mm
Electrical connection:	max. 1.5 mm ² , via push-in terminals
Ambient temperature:	Storage -20...+50 °C; Operation 0...+50 °C
Permitted humidity:	max. 95 % RH, non-condensing air
Protection class:	III (according to EN 60 730)
Protection type:	IP 20 (according to EN 60 529)
Standards:	CE-conformity, electromagnetic compatibility according to EN 61 326, EMC Directive 2014 / 30 / EU

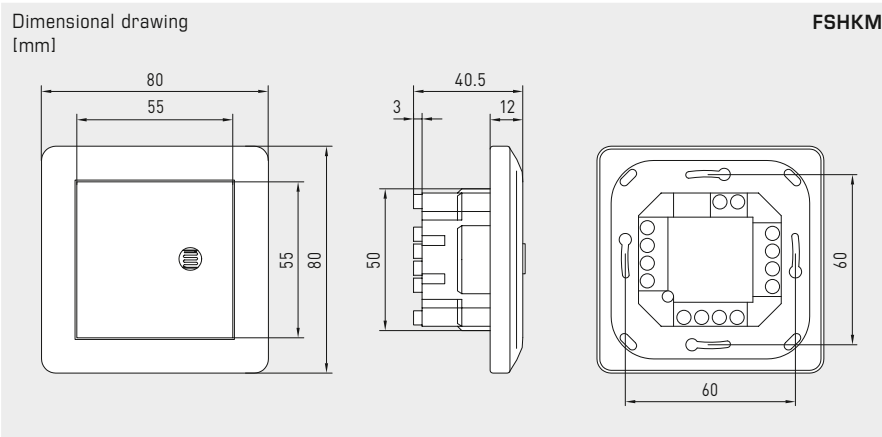
SWITCH PROGRAMME

Manufacturer:	GIRA System 55 (other switch programmes, manufacturers, colours as well as prices available upon request)
Housing:	plastic, the standard colour is pure glossy white (similar to RAL 9010) (other colours are available upon request with colour variants depending on the respective light switch programme)



S+S REGELTECHNIK

Room light intensity sensor and measuring transducer,
in-wall in the panel switch programme,
with active output



Light Intensity table
MB: 0...1000 lux

Light [lux]	U _A [V]
0	0.0
50	0.5
100	1.0
150	1.5
200	2.0
250	2.5
300	3.0
350	3.5
400	4.0
450	4.5
500	5.0
550	5.5
600	6.0
650	6.5
700	7.0
750	7.5
800	8.0
850	8.5
900	9.0
950	9.5
1000	10.0

PHOTASGARD® FSHKM		Room light intensity sensor or measuring transducer, in-wall		
Type / WG02	Measuring range Light Intensity	Output Light Intensity	Item No.	Price
FSHKM				
FSHKM-U 1K	0...1 kLux	0-10 V	1601-5121-7000-162	253,07 €
Extra charge:	optionally other individual measuring ranges, e. g. 100 kLux		on request	



**Room light intensity sensors
with multi-range switching
and active output**

The room light intensity sensor **PHOTASGARD® RHKF** with four switchable measuring ranges (four devices in one) measures the luminous intensity with a diffuser and is used to control luminaries, lighting systems, Venetian blinds and canvas blinds, etc., to monitor lighting conditions at workplaces, in storage halls, workshops and corridors, in indoor areas, in industrial halls, in offices as well as in residential and business facilities, for daylight-dependant constant light control, as light intensity or twilight sensor and to control sunshade equipment avoiding unnecessary heating-up of rooms. Therefore it minimizes your variety of types and stock keeping while covering a greater range of universal applications. The sensor used in PHOTASGARD® light intensity sensors was specifically adapted to the sensitivity of the human eye. Its greatest sensitivity is in the range of 400nm to 700nm. With its special filter, the sensor is therefore ideally suited for measuring exposure to daylight and /or for measuring artificial light of high colour temperature (similar to sunlight).

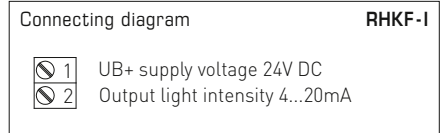
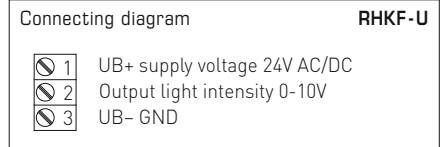
RHKF



TECHNICAL DATA

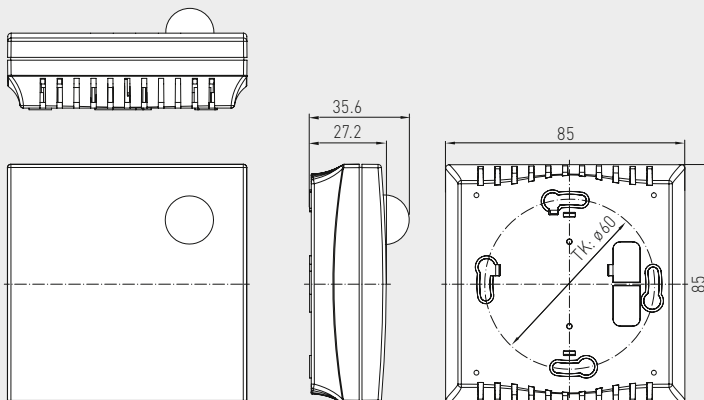
Power supply:	24 V AC (±20%); 15...36 V DC for U variant 15...36 V DC for I variant, depending on working resistance, residual ripple stabilised ±0.3V
Working resistance:	$R_a \text{ (ohm)} = (U_b - 14 \text{ V}) / 0.02 \text{ A}$ for I variant
Load resistance:	$R_L > 5 \text{ kOhm}$ for U variant
Power consumption:	< 1 W at 24 V DC; < 2 VA at 24 V AC
Sensor:	light sensor with diffuser (see beginning of this chapter)
Measuring ranges:	multi-range switching (via DIP switches) 0...500 Lux / 1 kLux / 5 kLux / 20 kLux (other individual ranges optional, e. g. 100 kLux)
Output:	4...20mA or 0-10V (2- or 3-wire connection)
Deviation:	typically < 5% of final value
Ambient temperature:	0...+50 °C
Electrical connection:	0.14 - 1.5 mm ² , via terminal screws
Housing:	plastic, material ABS, colour pure white (similar to RAL 9010)
Dimensions:	85 x 85 x 27 mm (Baldur 1)
Installation:	wall mounting or on in-wall flush box, Ø55mm, base with 4-hole for mounting on vertically or horizontally installed in-wall flush boxes for cable entry from the back, with predetermined breaking point for on-wall cable entry from top / bottom in case of plain on-wall installation
Protection class:	III (according to EN 60 730)
Protection type:	IP 30 (according to EN 60 529)
Standards:	CE conformity, electromagnetic compatibility according to EN 61 326, EMC directive 2014 / 30 / EU

Measuring ranges [selectable]	DIP 1	DIP 2	DIP 3	DIP 4
0...500 Lux	ON	OFF	OFF	OFF
0... 1 kLux (default)	OFF	ON	OFF	OFF
0... 5 kLux	OFF	OFF	ON	OFF
0... 20 kLux	OFF	OFF	OFF	ON

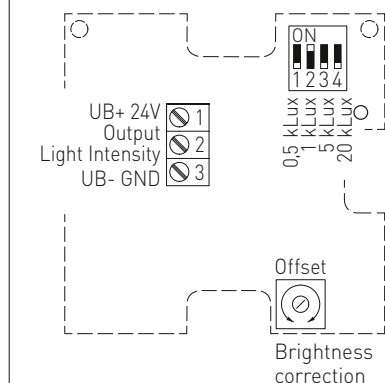


Dimensional drawing

Housing **Baldur 1**
RHKF



Schematic diagram **RHKF**



PHOTASGARD® RHKF Room light intensity sensors

Type/WG01	Measuring Range Light Intensity (adjustable)	Output Light Intensity	Item No.	Price
RHKF				
RHKF-I	0...500 Lux / 1 kLux / 5 kLux / 20 kLux	4 ... 20mA	1601-41A2-2000-000	103,80 €
RHKF-U	0...500 Lux / 1 kLux / 5 kLux / 20 kLux	0-10V	1601-41A1-2000-000	103,80 €
Extra charge:	Other individual measuring ranges optional, e. g. 100 kLux		on request	



The light intensity sensor / twilight sensor **PHOTASGARD® AHKF** with six switchable measuring ranges (six devices in one) measures the luminous intensity and is used to control luminaries, lighting systems, Venetian blinds and canvas blinds, etc., to monitor lighting conditions at work-places, in greenhouses, storage halls, workshops, corridors, in outdoor areas, in industrial halls, in offices as well as in residential and business facilities, for daylight-dependant constant light control, as light intensity or twilight sensor and as sun protection control to avoid unnecessary room heating. Therefore it minimizes your variety of types and stock keeping while covering a greater range of universal applications. The sensor used was specifically adapted to the sensitivity of the human eye. Its greatest sensitivity is in the range of 400 nm to 700 nm. With its special filter, the sensor is therefore ideally suited for measuring exposure to daylight and / or for measuring artificial light of high colour temperature (similar to sunlight).

TECHNICAL DATA

Power supply:	24 V AC (±20%); 15...36V DC for U variant 15...36V DC for I variant, depending on working resistance, residual ripple stabilised ±0.3 V
Working resistance:	$R_a \text{ (ohm)} = (U_0 - 14 \text{ V}) / 0.02 \text{ A}$ for I variant
Load resistance:	$R_L > 5 \text{ kOhm}$ for U variant
Power consumption:	< 1 W at 24 V DC; < 2 VA at 24 V AC
Sensor:	light sensor (see beginning of this chapter)
Measuring ranges:	multi-range switching (via DIP switches) 0...500 Lux / 1 kLux / 2 kLux / 5 kLux / 20 kLux / 60 kLux (other individual ranges optional, e. g. 100 kLux)
Output:	4...20 mA or 0-10 V (2- or 3-wire connection)
Deviation:	typically < 5% of final value
Ambient temperature:	-30...+70 °C
Electrical connection:	0.14 - 1.5 mm ² , via terminal screws
Housing:	plastic, UV-resistant, material polyamide, 30% glass-globe reinforced, with quick-locking screws (slotted / Phillips head combination), colour traffic white (similar to RAL9016), Housing cover is transparent!
Housing dimensions:	72 x 64 x 43.3 mm (Tyr 1)
Cable connection:	cable gland , plastic (M 16 x 1.5; with strain relief, exchangeable, inner diameter 10.4 mm) or M12 connector (optional on request)
Installation:	on-wall
Protection class:	III (according to EN 60 730)
Protection type:	IP 67 (according to EN 60 529) housing tested, TÜV SÜD, report no. 713139052 (Tyr 1)
Standards:	CE conformity, electromagnetic compatibility according to EN 61 326, EMC directive 2014 / 30 / EU



AHKF

Measuring ranges (selectable)	DIP 1	DIP 2	DIP 3	DIP 4
0...500 Lux	OFF	OFF	OFF	–
0... 1 kLux	ON	OFF	OFF	–
0... 2 kLux	OFF	ON	OFF	–
0... 5 kLux	ON	ON	OFF	–
0... 20 kLux (default)	OFF	OFF	ON	–
0... 60 kLux	ON	OFF	ON	–

Connecting diagram **AHKF-U**

Connecting diagram **AHKF-I**

Dimensional drawing **AHKF**

M12 connector
(optional on request)

Schematic diagram **AHKF**

PHOTASGARD® AHKF Outdoor light intensity sensors / twilight sensors

Type/WG01	Measuring Range Light Intensity (adjustable)	Output Light Intensity	Item No.	Price
AHKF				
AHKF-I	0...500 Lux / 1 / 2 / 5 / 20 / 60 kLux	4 ... 20 mA	1601-1112-1000-000	103,80 €
AHKF-U	0...500 Lux / 1 / 2 / 5 / 20 / 60 kLux	0-10V	1601-1111-1000-000	103,80 €
Extra charge:	Other individual measuring ranges optional, e. g. 100 kLux			on request

**In-ceiling light intensity sensors,
with multi-range switching
and active output**

The light-intensity sensor **PHOTASGARD® DHKF** with six switchable measuring ranges (six devices in one) for installation in suspended ceilings. The connecting head is pluggable for quick and easy mounting. The measuring transducer is accommodated in a separate housing.

The sensor used was specifically adapted to the sensitivity of the human eye. Its greatest sensitivity is in the range of 400nm to 700nm. With its special filter, the sensor is therefore ideally suited to exposure measurement of daylight and/or for measuring artificial light of high colour temperature (similar to sunlight).

It is used for daylight-dependent constant light control, to control luminaires, lighting systems, Venetian blinds and canvas blinds, and to control light intensity and sun protection hoods to avoid unnecessary heating-up of rooms. It is used in greenhouses, storage halls, industrial halls, workshops, corridors, residential and commercial buildings.

DHKF
Connecting head,
pluggable



TECHNICAL DATA

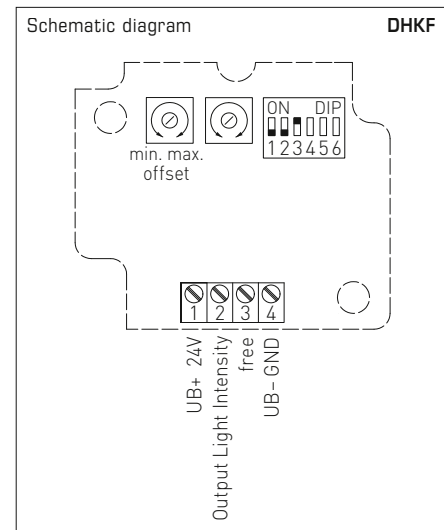
Power supply:	24 V AC (±20%); 15...36 V DC for U variant 15...36 V DC for I variant, depending on working resistance, residual ripple stabilised ±0.3 V
Working resistance:	$R_a \text{ (ohm)} = (U_b - 14 \text{ V}) / 0.02 \text{ A}$ for I variant
Load resistance:	$R_L > 5 \text{ kOhm}$ for U variant
Power consumption:	< 1 W at 24 V DC; < 2 VA at 24 V AC
Sensor:	light sensor (see beginning of this chapter)
Measuring ranges:	multi-range switching (via DIP switches) 0...500 Lux / 1 kLux / 2 kLux / 5 kLux / 20 kLux / 60 kLux (optional other individual measuring ranges, e. g. 100 kLux)
Output:	4...20 mA or 0-10 V
Deviation:	typically < 5 % of final value
Ambient temperature:	-30...+70 °C
Housing:	plastic, UV-resistant, material polyamide, 30 % glass-globe reinforced, with quick-locking screws (slotted / Phillips head combination), colour traffic white (similar to RAL 9016)
Housing dimensions:	72 x 64 x 37,8 mm (Ty1)
Electrical connection:	2- or 3-wire (see connecting diagram), 0.14 - 1.5 mm ² , via terminal screws
Cable connection:	cable gland , plastic (M16 x 1.5; with strain relief, exchangeable, inner diameter 10.4 mm) or M12 connector according to DIN EN 61076-2-101 (optional on request)
Connecting cable:	PVC, LiYY, 4 x 0.14 mm ² , cable length (KL) = approx. 2 m
Connecting head:	made of plastic, material polycarbonate (PC), colour white, pluggable , Ø = approx. 35 mm, H = approx. 29 mm
Mounting (sensor):	in the suspended ceiling, ceiling cut-out Ø = 30 mm, cover Ø = < 35 mm
Protection type:	IP 65 (according to EN 60 529) Housing IP 30 (according to EN 60 529) Sensor in the built-in state
Protection class:	III (according to EN 60 730)
Standards:	CE conformity, electromagnetic compatibility according to EN 61 326, EMC directive 2014 / 30 / EU

Measuring ranges (adjustable)	DIP 1	DIP 2	DIP 3
0...500 Lux	OFF	OFF	OFF
0... 1 kLux	ON	OFF	OFF
0... 2 kLux	OFF	ON	OFF
0... 5 kLux	ON	ON	OFF
0... 20 kLux (default)	OFF	OFF	ON
0... 60 kLux	ON	OFF	ON

Note: **DIP 4, 5, 6** are not assigned!

Connecting diagram DHKF-U

Connecting diagram DHKF-I

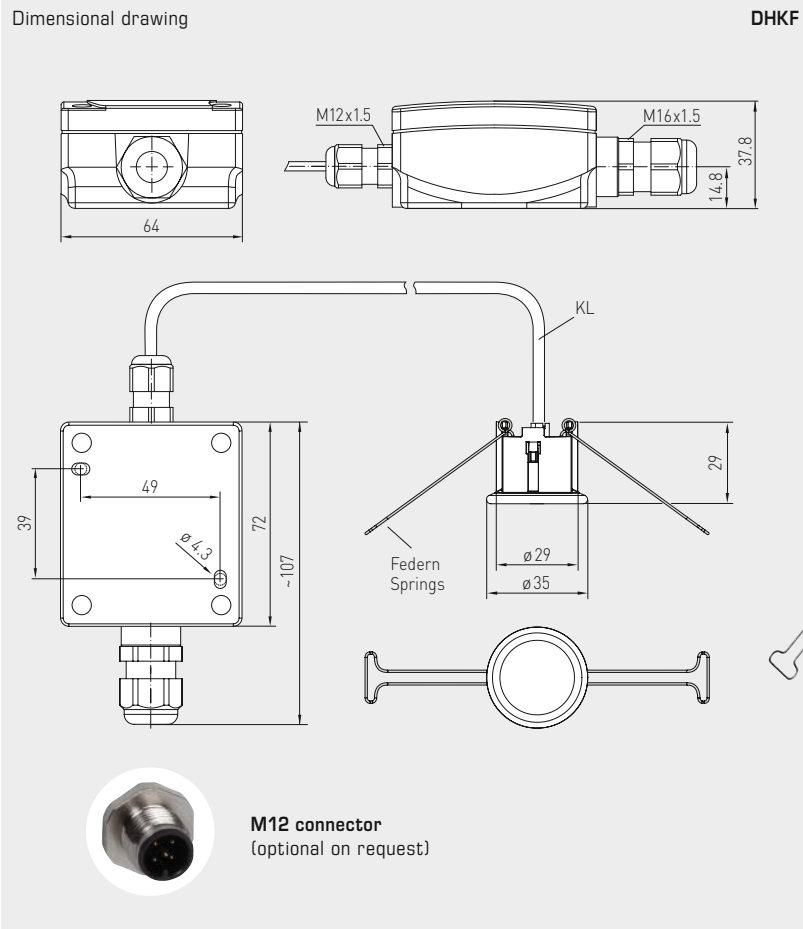




S+S REGELTECHNIK

PHOTASGARD® DHKF

In-ceiling light intensity sensors,
with multi-range switching
and active output



DHKF



PHOTASGARD® DHKF In-ceiling light intensity sensors

Type / WG01	Measuring Range Light Intensity (adjustable)	Output Light Intensity	Item No.	Price
DHKF				
DHKF I	0...500 Lux / 1 / 2 / 5 / 20 / 60 kLux	4 ... 20 mA	1601-6122-1000-000	152,66 €
DHKF U	0...500 Lux / 1 / 2 / 5 / 20 / 60 kLux	0-10 V	1601-6121-1000-000	152,66 €
Extra charge:	Other individual measuring ranges optional, e. g. 100 kLux		on request	
Optional:	Cable connection with M12 connector according to DIN EN 61076-2-101		on request	

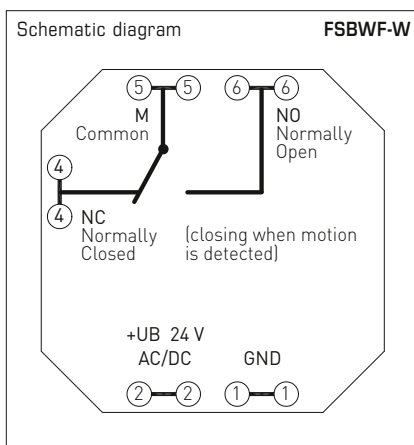
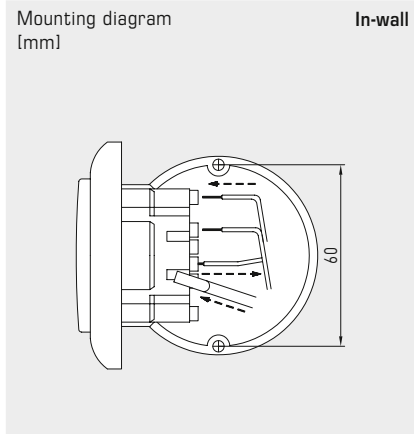


**Room motion sensor or presence detector,
in-wall in the panel switch programme,
with switching output**

Maintenance-free motion sensor/presence detector **KINASREG® FSBWF-W** with switching output, in in-wall housing, to detect the presence of people and movements (360° / approx. 10 m). The in-wall sensor is mounted in high-quality panel switch programmes, ideally of the brands Gira, Berker, Merten, Jung, Siemens or Busch-Jaeger (using in-wall adapters) either individually or in combination with light switches, socket outlets, etc.

The sensor is used for monitoring and detecting statuses and for motion-dependent control of room functions, e.g. for lowering the temperature of unused rooms. It is used indoors in corridors, offices, residential and business premises as well as industrial and storage halls.

The **infrared motion sensor** detects movement over an aperture angle of 90°/ 110° and a perimeter of 360°. The patented lens system with 20 individual lenses results in very small dark areas that are only a few centimetres wide even at a distance of 10 m, thereby reliably detecting small movements.



TECHNICAL DATA

Power supply:	24 V AC / DC (± 10 %),
Power consumption:	typically < 2.0 VA / 24 V AC; typically < 1.0 W / 24 V DC

MOTION

Sensor:	infra-red motion sensor (see beginning of this chapter)
Detection range:	360° perimeter, aperture angle 90° / 110°, range approx. 10 m, circular
Motion detection:	of people and objects, necessary temperature difference between subject and surroundings ≥ 5 K
Output:	without / with motion + presence, potential-free changeover contact (24 V), 1 A resistive load
After-running time:	adjustable from approx. 4 seconds to approx. 16 minutes
Mounting:	in-wall flush box Ø 55 mm
Electrical connection:	max. 1.5 mm², via push-in terminals
Ambient temperature:	Storage -20...+50 °C; Operation 0...+50 °C
Permitted humidity:	max. 95 % RH, non-condensing air
Protection class:	III (according to EN 60 730)
Protection type:	IP 20 (according to EN 60 529)
Standards:	CE-conformity, electromagnetic compatibility according to EN 61 326, EMC Directive 2014 / 30 / EU

SWITCH PROGRAMME

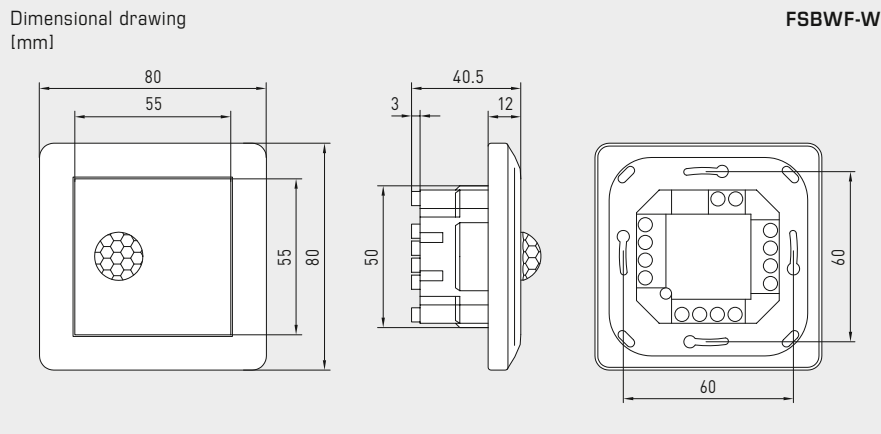
Manufacturer:	GIRA System 55 (other switch programmes, manufacturers, colours as well as prices available upon request)
Housing:	plastic, the standard colour is pure glossy white (similar to RAL 9010) (other colours are available upon request with colour variants depending on the respective light switch programme)



S+S REGELTECHNIK

KINASREG® FSBWF-W

Room motion sensor or presence detector,
in-wall in the panel switch programme,
with switching output



FSBWF-W



KINASREG® FSBWF-W		Room motion sensor or presence detector, in-wall		
Type / WG02	Detection of presence / motion	Output presence / motion	Item No.	Price
FSBWF-W				
FSBWF-W	Yes / No	Changeover contact	1401-5120-3000-162	253,07 €



Room motion sensor with switching output

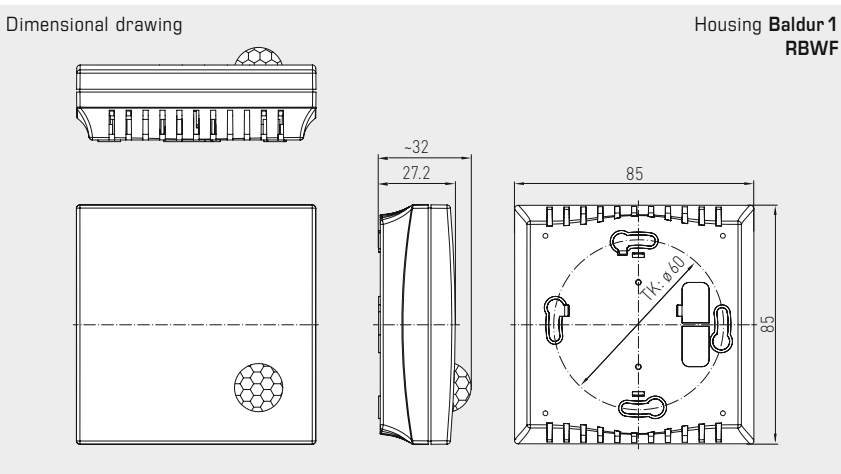
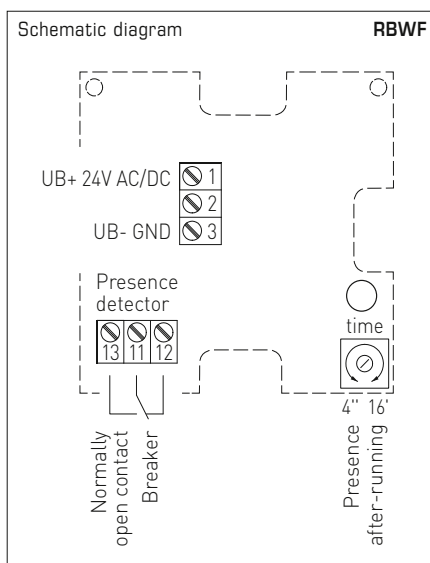
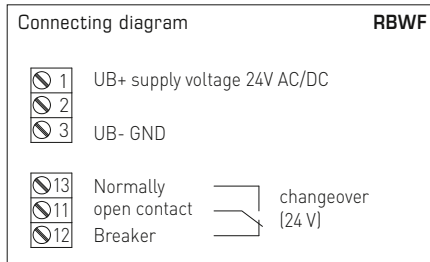
The motion sensor and presence detector **KINASGARD® RBWF** detects the presence of persons and motions and has a switching output (changeover contact). The sensor detects motions over an aperture angle of 110° and a perimeter of 360°. The patented lens system with 20 individual lenses results in only very small dark areas that are only a few centimetres wide even at a distance of 10 m, thereby reliably detecting small movements. Elegant housing made of plastic with snap-on lid, base with 4-hole attachment for installation on vertically or horizontally installed in-wall flush boxes, with predetermined breaking point for on-wall cable entry in case of on-wall installation. The room motion sensor is used to monitor and recognise conditions and for the motion-dependent control of room functions, e.g. for lowering temperatures in unused rooms as a motion detector. This residential room motion detector is installed in corridors, in outdoor areas, in industrial halls, in offices, in residential rooms and business facilities.

RBWF



TECHNICAL DATA

Power supply:	24 V AC (± 20%); 15...36 V DC
Power consumption:	< 1 W at 24 V DC; < 2 VA at 24 V AC
Sensor:	infra-red motion sensor (see beginning of this chapter)
Detection range:	perimeter 360°, aperture angle 90° / 110°, reach approx. 10 m, circular
Motion detection:	of persons and objects, necessary temperature difference between subject and surroundings ≥ 5 K
Output:	without / with motion + presence, potential-free changeover contact (24 V), 1 A ohmic load
After-running time:	adjustable from 4 s to 16 min
Ambient temperature:	0...+50 °C
Electrical connection:	0.14 - 1.5 mm², via terminal screws
Housing:	plastic, material ABS, colour pure white (similar to RAL 9010)
Dimensions:	85 x 85 x 27 mm (Baldur 1)
Mounting:	wall mounting or on in-wall flush box, Ø 55 mm, base with 4-hole for mounting on vertically or horizontally installed in-wall flush boxes for cable entry from the back, with predetermined breaking point for on-wall cable entry from top / bottom in case of plain on-wall installation
Protection class:	III (according to EN 60 730)
Protection type:	IP 30 (according to EN 60 529)
Standards:	CE conformity, electromagnetic compatibility according to EN 61 326, EMC directive 2014 / 30 / EU



KINASGARD® RBWF Room motion sensor				
Type / WG01	Detection	Output	Item No.	Price
RBWF	Presence + Motion	Presence + Motion		
RBWF-W	Yes / No (relay on / off)	Changeover contact	1401-41A0-4000-000	112,11 €



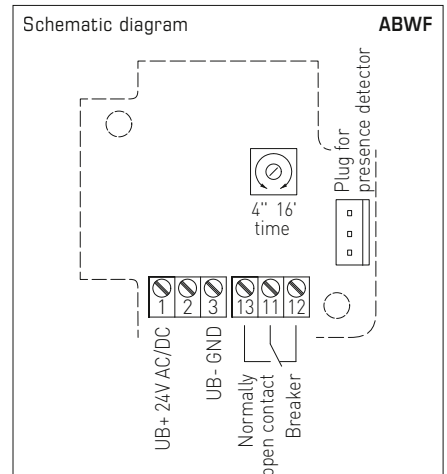
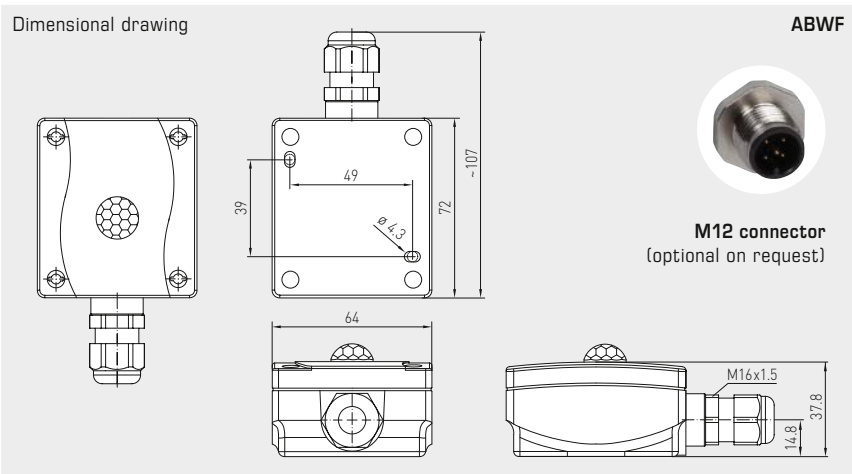
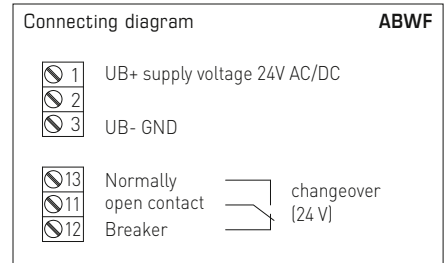
The motion sensor and presence detector **KINASGARD® ABWF** detects the presence of persons and motions. It is used to observe and recognise conditions and for motion-dependent control of room functions, e.g. as a motion detector to lower temperatures in unused rooms. The motion sensor is used in corridors, in outdoor areas, in industrial halls, in offices, residential rooms and business facilities. The sensor detects motions over an aperture angle of 110° and a perimeter of 360°. The patented lens system with 20 individual lenses results in only very small dark areas that are only a few centimetres wide even at a distance of 10 m, thereby reliably detecting small movements. The sensor recognizes changes in the infra-red radiation spectrum, so in heat radiation, resulting from the movement of persons or objects. Such movements generate a temporary change of the temperature gradient in the field. Due to the constant presence of body (heat) radiation, this sensor is ideally suitable for detecting persons. The temperature difference between sensor and object must be > 5K.

ABWF



TECHNICAL DATA

Power supply:	24 V AC (± 20 %); 15...36 V DC
Power consumption:	< 1 W at 24 V DC; < 2 VA at 24 V AC
Sensor:	infra-red motion sensor (see beginning of this chapter)
Detection range:	perimeter 360°, aperture angle 90° / 110°, reach approx. 10 m, circular
Motion detection:	of persons and objects, required temperature difference between subject and surroundings ≥ 5 K
Output:	without / with motion + presence, potential-free changeover contact (24 V), 1 A ohmic load
After-running time:	adjustable from 4 s to 16 min
Ambient temperature:	-10...+50 °C
Electrical connection:	0.14 - 1.5 mm², via terminal screws
Housing:	plastic, UV-resistant, material polyamide, 30 % glass-globe reinforced, with quick-locking screws (slotted/Phillips head combination), colour traffic white (similar to RAL 9016)
Housing dimensions:	72 x 64 x 37.8 mm (Tyr 1)
Cable connection:	cable gland , plastic (M 16 x 1.5; with strain relief, exchangeable, inner diameter 10.4 mm) or M12 connector (optional on request)
Installation:	on-wall
Protection class:	III (according to EN 60 730)
Protection type:	IP 65 (according to EN 60 529) housing tested, TÜV SÜD, report no. 713139052 (Tyr 1)
Standards:	CE conformity, electromagnetic compatibility according to EN 61 326, EMC directive 2014 / 30 / EU



KINASGARD® ABWF Outdoor motion sensor				
Type / WG01	Detection	Output	Item No.	Price
ABWF	Presence + Motion	Presence + Motion		
ABWF-W	Yes / No (relay on / off)	Changeover contact	1401-1110-4000-000	133,71 €

In-ceiling motion sensor with switching output

The in-ceiling motion sensor and presence detector **KINASGARD® DBWF / DBWF-C** detects the presence of persons and movements and has a switching contact as an output. It has been designed for monitoring and detecting statuses and for motion-dependent control of room functions, e.g. for lowering the temperature of unused rooms.

The in-ceiling motion sensor is used for installation in suspended ceilings in corridors, offices, as well as in residential and business facilities. The connecting head is pluggable for quick, easy mounting. The measuring transducer is accommodated in a separate housing. The sensor detects motions over an aperture angle of 110° and a perimeter of 360°. The patented lens system with 20 individual lenses results in only very small dark areas that are only a few centimetres wide even at a distance of 10 m, thereby reliably detecting small movements.

**DBWF
DBWF-C**
connecting head,
pluggable



TECHNICAL DATA

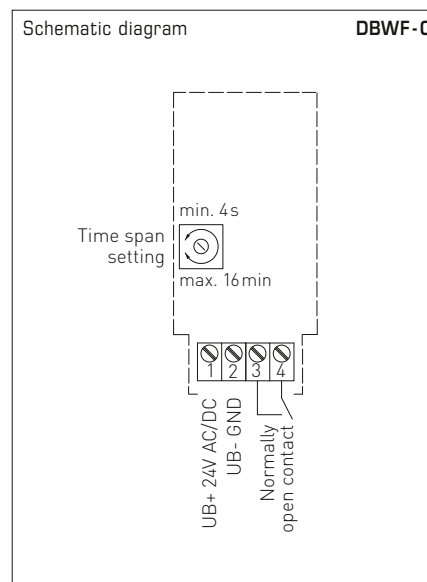
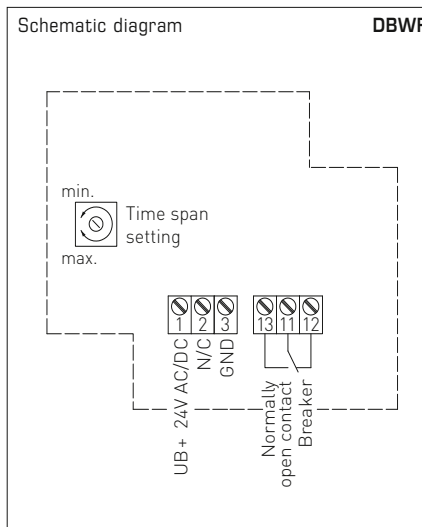
Power supply:	24 V AC (± 20 %); 15...36 V DC
Power consumption:	< 1 W at 24 V DC; < 2 VA at 24 V AC
Sensor:	infra-red motion sensor (see beginning of this chapter)
Detection range:	perimeter 360°, aperture angle 90° / 110°, reach approx. 10 m, circular, at an installation height of approx. 3 m the sensor covers a detection radius (r) of approx. 3.4 m
Motion detection:	of persons and objects, necessary temperature difference between subject and surroundings ≥ 5 K
After-running time:	adjustable from 4 seconds to 16 minutes
Ambient temperature:	-10...+50 °C
Connecting head:	plastic, material polycarbonate (PC), colour white, pluggable
Connecting cable:	PVC, LiYY, 4 x 0.14 mm ² , cable length (KL) = approx. 2 m
Electrical connection:	0.14 - 1.5 mm ² via terminal screws
Mounting (sensor):	in the suspended ceiling, ceiling cutout Ø = 30 mm, cover Ø = < 35 mm
Protection type (sensor):	IP 30 (according to EN 60 529) in the built-in state
Protection class (sensor):	III (according to EN 60 730)
Standards:	CE-conformity, electromagnetic compatibility according to EN 61 326, EMC Directive 2014 / 30 / EU

DBWF measuring transducer

Output:	potential-free changeover contact (24 V), 1 A ohmic load
Housing:	plastic, UV-resistant, material polyamide, 30% glass-globe reinforced, with quick-locking screws (slotted / Phillips head combination), colour traffic white (similar to RAL 9016)
Housing dimensions:	72 x 64 x 37.8 mm (Tyr 1)
Cable connection:	cable gland , plastic (M 16 x 1.5; with strain relief, exchangeable, inner diameter 10.4 mm) or M12 connector according to DIN EN 61076-2-101 (optional on request)
Protection type (housing):	IP 65 (according to EN 60 529) (Tyr 1)

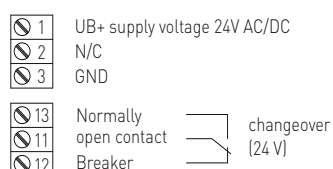
DBWF-C measuring transducer

Output:	potential-free normally open contact , signal relay, max. 24 V / 0.5 A
Housing:	plastic, material PVC, colour black
Housing dimensions:	55 x 20 x 15 mm (compact form)
Protection type (housing):	IP 20 (according to EN 60 529) (compact form)



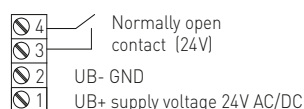
Connection diagram

DBWF



Connection diagram

DBWF-C

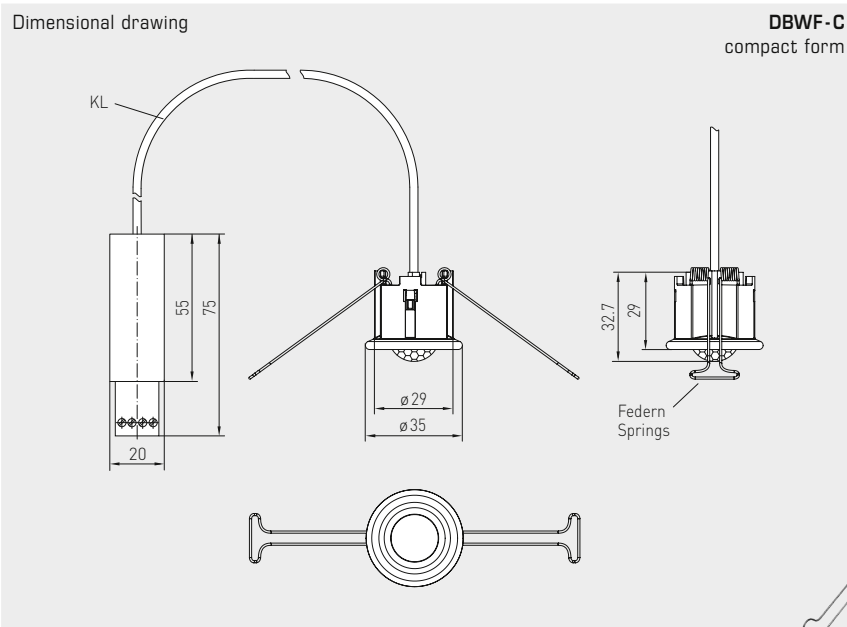
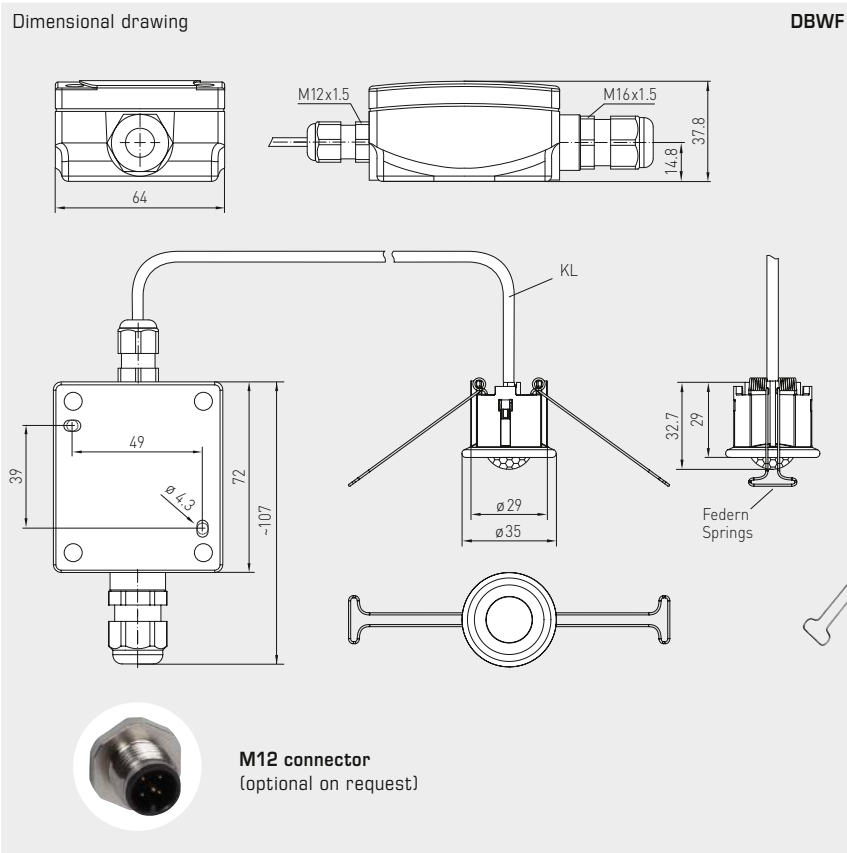




S+S REGELTECHNIK

KINASGARD® DBWF
KINASGARD® DBWF-C

In-ceiling motion sensor
with switching output



KINASGARD® DBWF In-ceiling motion sensor
KINASGARD® DBWF-C In-ceiling motion sensor, compact form

Type / WG01	Detection	Output	Item no.	Price
	Presence + Movement	Presence + Movement		
DBWF				
DBWF-W	Yes / No (relay on / off)	Changeover contact	1401-6120-3000-000	143,23 €
Optional:	Cable connection with M12 connector according to DIN EN 61076-2-101		on request	
DBWF-C				
DBWF-C	Yes / No (relay on / off)	Normally open contact	1401-6130-1000-006	107,10 €



Room motion sensor and light sensor, multisensors with active and switching output

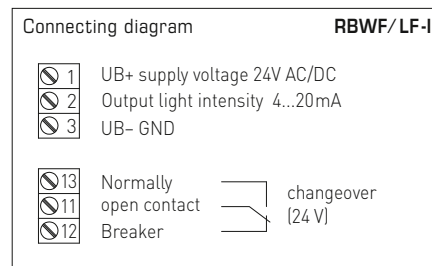
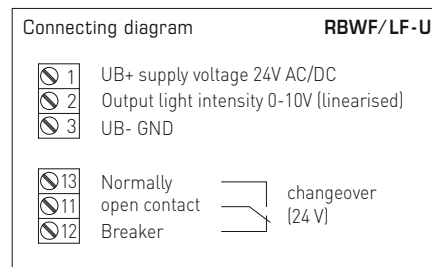
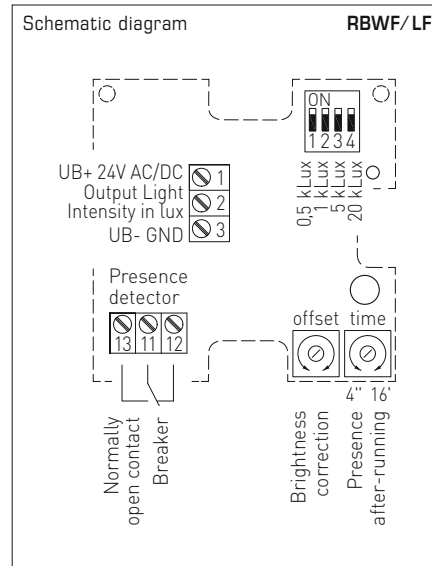
The room motion and light sensor and presence detector **KINASGARD® RBWF-LF** is a combined instrument that detects motion and light intensity using a diffuser as well as the presence of persons and is used to recognize conditions. RBWF-LF issues a standard signal of 0-10V or 4...20mA for light intensity and has a switching (normally open contact) output for detecting motion.

This multi-sensor is used in building automation, in corridors, at workplaces, in industrial halls, in offices and business facilities for the control of lighting as needed, e.g. to control sunshade equipment, for daylight-dependant constant light control, for activating Venetian blinds or luminaries, for automatic energy conservation, and to avoid unnecessary heating-up or cooling of unoccupied rooms.

TECHNICAL DATA

Power supply:	24 V AC (±20%); 15...36V DC for U variant 15...36 V DC for I variant, depending on working resistance, residual ripple stabilised ±0.3V
Working resistance:	$R_b(\text{ohm}) = (U_b - 14 \text{ V}) / 0.02 \text{ A}$ for I variant
Load resistance:	$R_L > 5 \text{ kOhm}$ for U variant
Power consumption:	< 1 W at 24 V DC; < 2 VA at 24 V AC
Sensor:	infra-red motion sensor and light sensor with diffuser (see beginning of this chapter)
Output, motion sensor:	without / with motion + presence, potential-free normally open contact (24 V), 1 A ohmic load
After-running time:	adjustable from 4 s to 16 min
Measuring ranges:	multi-range switching (via DIP switches) 0...500 Lux / 1 kLux / 5 kLux / 20 kLux (other individual ranges optional, e. g. 100 kLux)
Output, light sensor:	0-10 V (linearised, active, 3-wire connection) or 4...20mA
Deviation, light sensor:	typically < 5% of final value
Ambient temperature:	0...+50 °C
Electrical connection:	0.14 - 1.5 mm ² , via terminal screws
Housing:	plastic, material ABS, colour pure white (similar to RAL 9010)
Dimensions:	85 x 85 x 27 mm (Baldur 1)
Installation:	wall mounting or on in-wall flush box, Ø 55 mm, base with 4-hole for mounting on vertically or horizontally installed in-wall flush boxes for cable entry from the back, with predetermined breaking point for on-wall cable entry from top / bottom in case of plain on-wall installation
Protection class:	III (according to EN 60 730)
Protection type:	IP 30 (according to EN 60 529)
Standards:	CE conformity, electromagnetic compatibility according to EN 61 326, EMC directive 2014 / 30 / EU

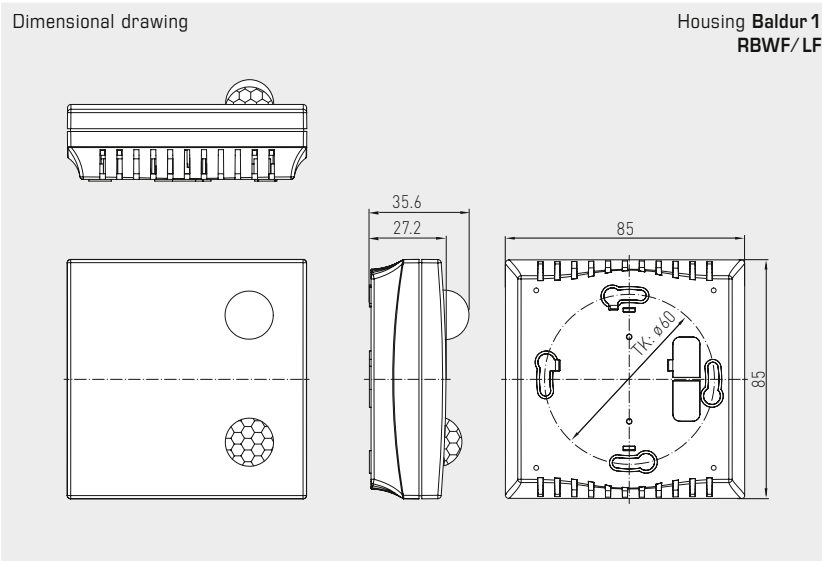
Measuring ranges (selectable)	DIP 1	DIP 2	DIP 3	DIP 4
0...500 Lux	ON	OFF	OFF	OFF
0... 1 kLux (default)	OFF	ON	OFF	OFF
0... 5 kLux	OFF	OFF	ON	OFF
0... 20 kLux	OFF	OFF	OFF	ON





S+S REGELTECHNIK

Room motion sensor and light sensor, multisensors with active and switching output



RBWF/LF



KINASGARD® RBWF/LF Room motion sensor and light sensor				
Type / WG01	Detection, Measuring Range	Output	Item No.	Price
RBWF-LF-U				
1. Presence + Motion	Yes / No (relay on / off)	Changeover contact	1401-41A1-1100-000	169,98 €
2. Light Intensity	0...500 Lux / 1 kLux / 5 kLux / 20 kLux	0 -10V (linearised)		
RBWF-LF-I				
1. Presence + Motion	Yes / No (relay on / off)	Changeover contact	1401-41A1-3200-000	169,98 €
2. Light Intensity	0...500 Lux / 1 kLux / 5 kLux / 20 kLux	4...20 mA		
Extra charge:	Other individual measuring ranges optional, e.g. 100 kLux		on request	



Outdoor motion sensor and light sensor, multisensors with active and switching output

The room motion and light sensor and presence detector **KINASGARD® ABWF / LF** is a combined instrument that detects motions and light intensity as well as the presence of persons and is used to recognize conditions. ABWF / LF issues a standard signal of 0-10V or 4...20mA for light intensity and has a switching (changeover contact) output for the detection of motions.

The motion sensor / presence detector detects the presence of persons and motions. It is used to monitor and recognise conditions and for motion-dependent control of room functions, e.g. as a motion detector to lower temperatures in unused rooms. The motion sensor is used in corridors, in outdoor areas, in industrial halls, in offices, residential rooms and business facilities.

The light intensity sensor / twilight sensor with six switchable measuring ranges (six devices in one) measures the luminous intensity and is used to control luminaries, lighting systems, Venetian blinds and canvas blinds, etc., to monitor lighting conditions at workplaces, in greenhouses, storage halls, workshops, corridors, in outdoor areas, in industrial halls, in offices as well as in residential and business facilities, for daylight-dependant constant light control, as light intensity or twilight sensor and to control sunshade equipment avoiding unnecessary heating-up of rooms.

TECHNICAL DATA

Power supply: 24V AC (±20%); 15...36V DC for U variant
15...36V DC for I variant, depending on working resistance, residual ripple stabilised ±0.3V

Working resistance: $R_a \text{ (ohm)} = (U_b - 14 \text{ V}) / 0.02 \text{ A}$ for I variant

Load resistance: $R_L > 5 \text{ kOhm}$ for U variant

Power consumption: < 1 W at 24 V DC; < 2 VA at 24 V AC

Sensor: infra-red motion sensor and light sensor (see beginning of this chapter)

Output, motion sensor: without / with motion + presence, potential-free normally open contact (24V), 1 A ohmic load

After-running time: adjustable from 4 s to 16 min

Measuring ranges: **multi-range switching** (via DIP switches)
0...500 Lux / 1 kLux / 2 kLux / 5 kLux / 20 kLux / 60 kLux
(other individual ranges optional, e. g. 100 kLux)

Output: 0-10 V (linearised, active, 3-wire connection) or 4...20 mA

Deviation, light sensor: typically < 5 % of final value

Ambient temperature: -10...+50 °C

Electrical connection: 0.14 - 1.5 mm², via terminal screws

Housing: plastic, UV-resistant, material polyamide, 30 % glass-globe reinforced, with quick-locking screws (slotted / Phillips head combination), colour traffic white (similar to RAL 9016)

Housing dimensions: 72 x 64 x 37.8 mm (Tyr 1)

Cable connection: **cable gland**, plastic (M 16 x 1.5; with strain relief, exchangeable, inner diameter 10.4 mm) **or** **M12 connector** according to DIN EN 61076-2-101 (optional on request)

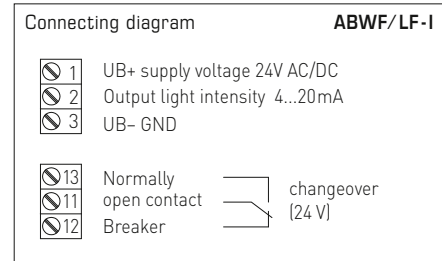
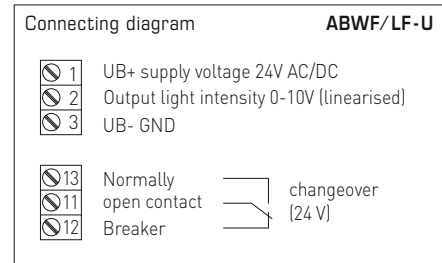
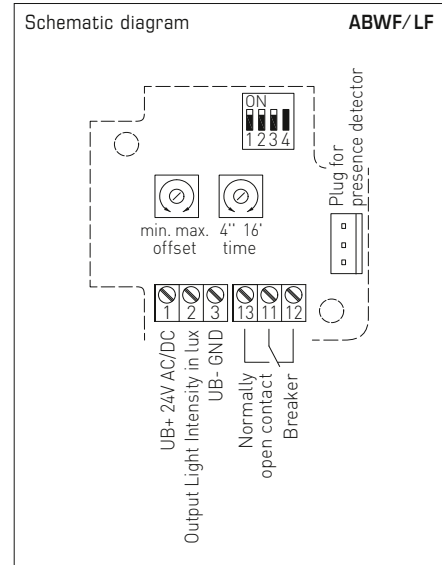
Installation: on-wall

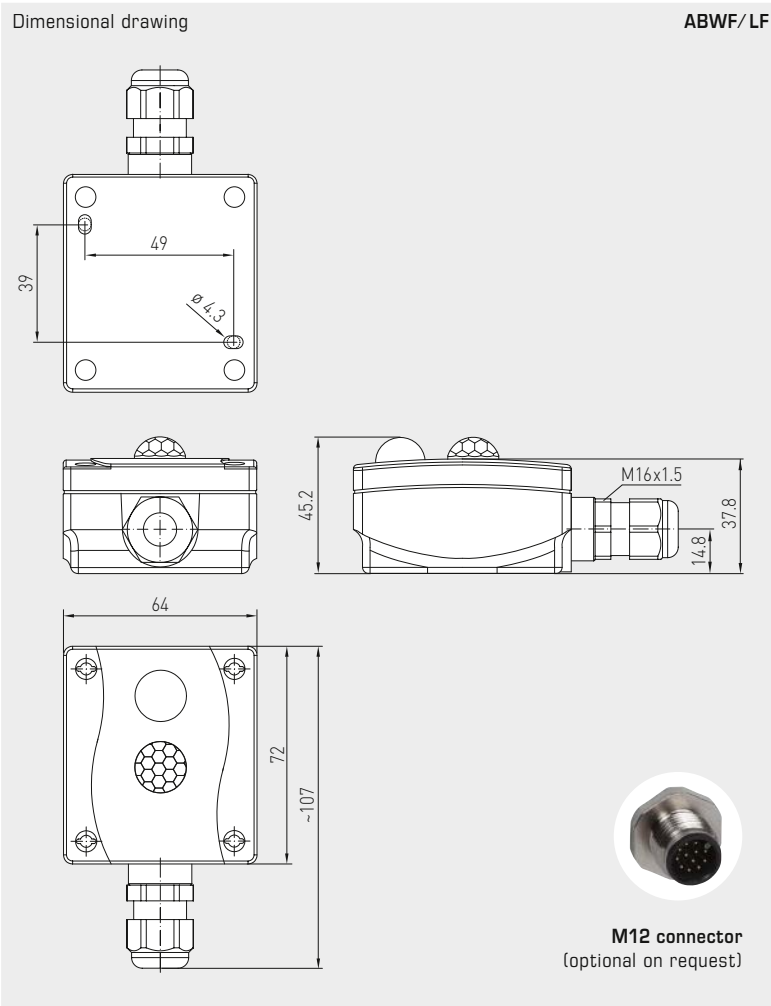
Protection class: III (according to EN 60 730)

Protection type: **IP65** (according to EN 60 529) housing tested, TÜV SÜD, report no. 713139052 (Tyr 1)

Standards: CE conformity, electromagnetic compatibility according to EN 61 326, EMC directive 2014 / 30 / EU

Measuring ranges (selectable)	DIP 1	DIP 2	DIP 3	DIP 4
0...500 Lux	OFF	OFF	OFF	-
0... 1 kLux	ON	OFF	OFF	-
0... 2 kLux	OFF	ON	OFF	-
0... 5 kLux	ON	ON	OFF	-
0... 20 kLux (default)	OFF	OFF	ON	-
0... 60 kLux	ON	OFF	ON	-





ABWF/LF



KINASGARD® ABWF/LF Outdoor motion sensor and light sensor				
Type / WG01	Detection, Measuring Range	Output	Item No.	Price
ABWF-LF-U				
1. Presence + Motion	Yes / No (relay on / off)	Changeover contact	1401-1111-2100-000	180,61 €
2. Light Intensity	0...500 Lux / 1 / 2 / 5 / 20 / 60 kLux	0 - 10V (linearised)		
ABWF-LF-I				
1. Presence + Motion	Yes / No (relay on / off)	Changeover contact	1401-1111-3200-000	180,61 €
2. Light Intensity	0...500 Lux / 1 / 2 / 5 / 20 / 60 kLux	4...20mA (linearised)		
Extra charge:	Other individual measuring ranges optional, e. g. 100 kLux		on request	
Optional:	Cable connection with M12 connector according to DIN EN 61076-2-101		on request	



In-ceiling motion detector, light, humidity and temperature sensor, multisensors with switching output

The in-ceiling sensor **KINASGARD® DBWF/LF/FTF** is used to detect persons within a distance of up to 10 meters and to measure luminous intensity or brightness, relative humidity and temperature. It has been designed for installation in suspended ceilings.

The sensor detects **motion** over an aperture angle of 110° and a perimeter of 360°. The patented lens system with 20 individual lenses results in only very small dark areas that are only a few centimetres wide even at a distance of 10 m, thereby reliably detecting small movements. If motion is detected, the potential-free relay output is switched. The hold time of the output, measured from the moment of the last detected movement, can be preset internally in the device via potentiometer within a range of 4 seconds to approx. 17 minutes.

For the **temperature and humidity**, an analogue output 0-10 V corresponding to 0...+50 °C or 0...100 % RH is available. Deviations due to the mounting position and location can be compensated internally using one offset regulator respectively.

For **luminous intensity or brightness** of 0...1000 lux or 0...5000 lux (selectable via DIP switches), an analogue output 0-10 V is also available. It is also possible to activate the motion output depending on brightness with the help of a jumper.

Fields of application for the DBWF/LF/FTF include residential room monitoring, automatic switching of lights, control technology, alarm technology, and motion-dependent control of room functions, e. g. for lowering the temperature in unused rooms.

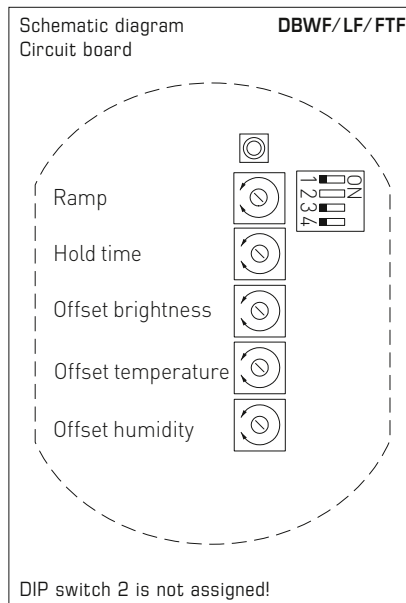
TECHNICAL DATA

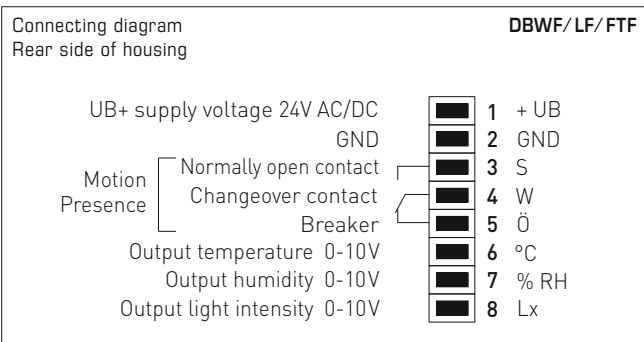
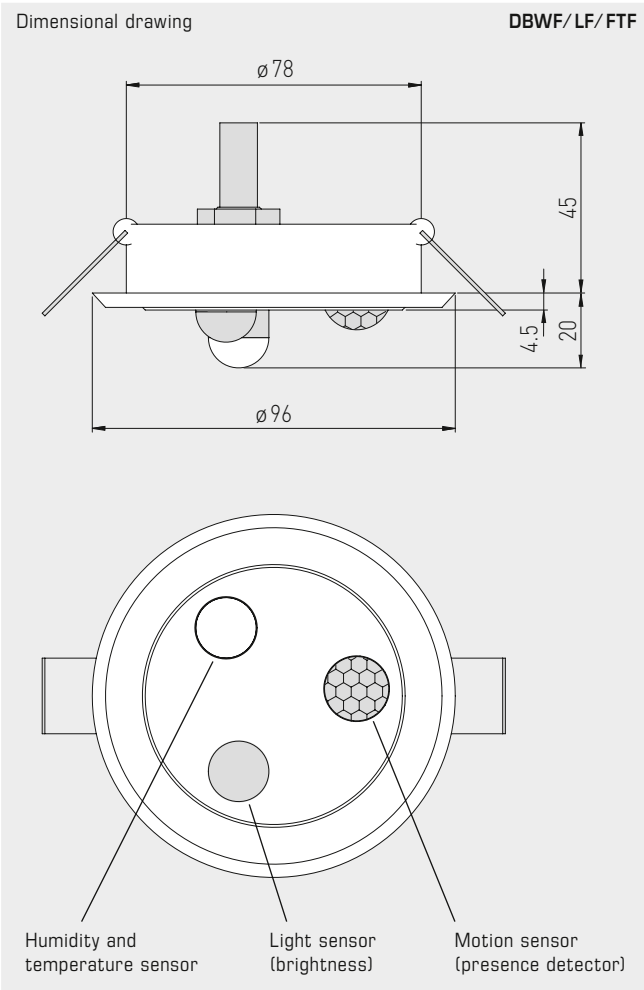
Power supply:	24 V AC / DC (half-wave rectification, read the instructions!)
Power consumption:	< 3.6 VA at 24 V DC
Electrical connection:	0.14 - 1.5 mm ² , via terminal screws
Outputs:	0-10 V or inverted 10-0V (selectable via DIP switches)
MOTION	
Sensor:	infra-red motion sensor (see beginning of this chapter)
Detection range:	perimeter 360°, aperture angle 90° / 110°, reach approx. 10 m, circular, at an installation height of approx. 3 m the sensor covers a detection radius (r) of approx. 3.4 m
Motion detection:	of persons and objects, necessary temperature difference between subject and surroundings ≥ 5 K
Output, motion sensor:	potential-free changeover contact, for switching safety extra-low voltage only, up to 1 A
After-running time:	adjustable from 4 s to 17 min
LIGHT INTENSITY	
Sensor:	light sensor with diffusor (see beginning of this chapter)
Measuring range, light sensor:	0...1000 lux / 0...5000 lux (selectable via DIP switches)
Output, light sensor:	0- 10V
Deviation, light sensor:	typically < ± 10 % of final value (referred to calibration reference source, approx. 5700K)
Temperature drift:	< ± 5 % of final value / 10K at +20 °C
HUMIDITY	
Measuring range, humidity:	0...100 % RH (output corresponding to 0- 10V)
Operating range, humidity:	10...95 % RH (non-precipitating air)
Deviation, humidity:	typically ± 3 % RH (20...80 %); at +20 °C, otherwise ± 5 % RH
Output, humidity:	0-10 V
TEMPERATURE	
Measuring range, temperature:	0...+50 °C (output corresponding to 0- 10V) other measuring ranges on request!
Operating range, temperature:	0...+50 °C
Deviation, temperature:	typically ± 0.8K at +20 °C, under standard conditions
Output, temperature:	0-10 V
Ambient temperature:	0...+50 °C
Storage temperature:	-20...+50 °C
Housing:	steel, white painted
Housing dimensions:	cover: Ø 96 mm, height of housing: 30 mm
Installation dimensions:	ceiling cutout: Ø 80 mm installation depth: < 45 mm (incl. connector system) on-wall protrusion: > 13 mm (motion sensor) > 20 mm (humidity sensor)
Sensor protection:	mounted inside ceiling installation housing
Protection class:	III (according to EN 60 730)
Protection type (housing):	IP 20 (according to EN 60 529)
Standards:	CE conformity, electromagnetic compatibility according to EN 61 326, EMC directive 2014 / 30 / EU

Function output (direction adjustable)	DIP 1
normal (default) 0 % = 0 V 100 % = 10 V	OFF
inverted 0 % = 10 V 100 % = 0 V	ON

Brightness (adjustable measuring range)	DIP 3
0... 1000 Lux (default)	OFF
0... 5000 Lux	ON

Motion (mode selectable)	DIP 4
Motion mode (default) Motion detector is independent of threshold value	OFF
Auto mode If the set threshold value is not reached, the motion detector is active	ON





KINASGARD® DBWF/LF/FTF In-ceiling motion, light, temperature and humidity sensor				
Type / WG02	Detection, Measuring Range	Output	Item No.	Price
DBWF-LF-FTF-W				
1. Presence + Motion	yes / no (relay on / off)	Changeover contact	1401-6114-3100-000	242,89 €
2. Light Intensity	0...1000 lux / 0...5000 lux (DIP)	0-10V (linearised)		
3. Temperature	0 ... 50 °C	0- 10V		
4. Humidity	0...100% RH	0- 10V		
Outputs: 0-10V or inverted 10-0V (selectable via DIP switches)				

Air Quality & Flow

AERASGARD®, RHEASGARD® & RHEASREG® Feel-good climate with energy efficiency

Increased CO₂ values, fine dust or VOC pollution are detrimental with regard to energy costs and well-being. Our air quality and flow sensors allow you to monitor the entire indoor climate in a controlled manner. And our flow monitors and controllers put you firmly in control of lines carrying air, gas or liquid.

Application Areas

- Ventilation and air conditioning
- Ventilator flow monitoring, butterfly valves, heating registers and humidifiers
- Energy management
- Residential, working and conference rooms
- Movie theaters, showrooms and retail stores
- Institutes and laboratories





AERASGARD® , RHEASGARD® & RHEASREG® AIR QUALITY SENSORS, FLOW SENSORS AND MONITORS



CO2 sensors

FSC02	In-wall CO2 sensor	595
FSTM-CO2	In-wall temperature / CO2 sensor	595
RCO2-AS xx	CO2 Room traffic light with signal tone	581
RCO2-SD	Room CO2 sensor	585
RCO2-W	Room CO2 sensor	585
RTM-CO2-SD	Room temperature CO2 sensor	589
RFTM-CO2-W	Room humidity / temperature / CO2 sensor	589
ACO2-SD	On-wall CO2 sensor	599
ACO2-W	On-wall CO2 sensor	599
ATM-CO2-SD	On-wall temperature / CO2 sensor	605
AFTM-CO2-W	On-wall humidity / temperature / CO2 sensor	605
KCO2-SD	Duct CO2 sensor	615
KCO2-W	Duct CO2 sensor	615
KTM-CO2-SD	Duct temperature / CO2 sensor	621
KFTM-CO2-W	Duct humidity / temperature / CO2 sensor	621
RPCO2-W	Room pendulum CO2 sensor	NEW 623

VOC sensors

FSLQ	In-wall-air quality sensor	597
RLQ-SD	Room air-quality sensor	577
RLQ-W	Room air-quality sensor	577
KLQ-SD	Duct air-quality sensor	611
KLQ-W	Duct air-quality sensor	611

Fine dust sensors (PM)

RPS-SD	Room fine dust sensor	593
RFTM-PS-W	Room humidity / temperature / fine dust sensor	593
APS-SD	On-wall fine dust sensor	607

Multifunctional sensors VOC / CO2 / fine dust (PM)

RLQ-CO2-W	Room air-quality / CO2 sensor	589
RFTM-LQ-CO2-W	Room humidity / temperature / air-quality / CO2 sensor	589
RFTM-PS-CO2-W	Room humidity / temperature / fine dust / CO2 sensor	593
ALQ-CO2-W	On-wall air-quality / CO2 sensor	605
AFTM-LQ-CO2-W	On-wall humidity / temperature / air-quality / CO2 sensor	605
KLQ-CO2-W	Duct air-quality / CO2 sensor	621
KFTM-LQ-CO2-W	Duct humidity / temperature / air-quality / CO2 sensor	621

Airflow monitors

KHSSF	Top-hat rail airflow sensor with external duct probe	NEW 627
KHSSW	Top-hat rail airflow monitor with external duct probe	NEW 627
KLGF	Duct airflow monitor	NEW 631
KLGFVT	Duct sensor for air flow, volume flow and temperature	NEW 631
KLSW	Duct airflow monitor	NEW 631
SW	Flow monitor, mechanical	635
WFS	Wind vane switch, mechanical	633

Accessories

see chapter Accessories	646
-------------------------	------------

Note concerning type designation:
W = with changeover contact



Air Quality & Flow

AERASGARD® , RHEASGARD® & RHEASREG®

Multifunctional sensor technology for air quality and more

Broad Spectrum

Our active devices for measuring and regulating CO₂, gas mixtures (VOC), fine dust (PM) and flows are designed to be multifunctional. This reduces the diversity of types and expands their possible applications. Thanks to micro-processor technology, almost any measuring range can be represented, including custom specifications. DIP switches are used to select functions such as multi-range switching, auto-matic mode, and manual calibration.

Optimum Precision

The devices are tested according to the latest criteria. Take advantage of our experience, our development, manufacturing and product know-how and order these products directly from the manufacturer.

Tested safety and certified quality



RoHS conforming materials



ESD compliant manufacturing



CE conformity



UKCA conformity (UK Conformity Assessed)



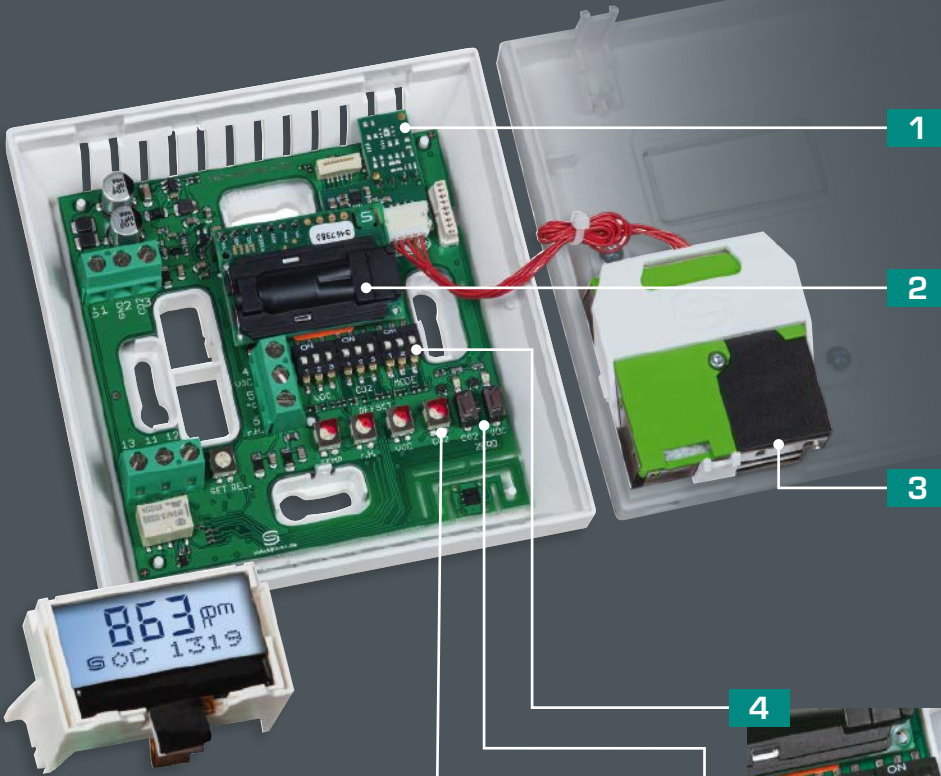
Development, production and sales are certified by TÜV Thüringen according to DIN EN ISO 9001:2015 (quality management) and ISO 14001:2015 (environmental management).



EAC certified



GOST certified



1

VOC Sensor

For mixed gases and air quality

2

CO2 Sensor

Calibration and balancing is done by means of the bus system in climate cabinets

3

Fine dust sensor (PM)

Optical particle sensor with laser and contamination resistance technology

4

DIP Switches

For individual adjustment of measuring ranges, output, automatic zero point and relay assignment

5

Trigger

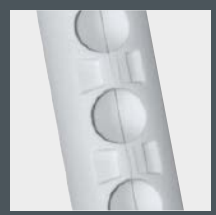
For CO2 or VOC zero point

6

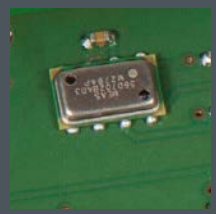
Potentiometer

For setting the relay thresholds for CO2 and VOC. For setting the offsets for temperature, humidity, CO2 and VOC

Optional Display
With backlighting



PLEUROFORM™
Multi-channel pipe for simultaneous measuring of CO2 and VOC



Air Pressure Compensation
Premium duct sensors with barometric air pressure compensation of CO2 readings



General information

Atmospheric pressure, measurement methods and compensation

Due to the increasing demands for accuracy, low maintenance, and long-term stability, we have further developed and improved our established switchable measuring system. The new generation of devices now includes two-beam measurement technology and atmospheric pressure compensation for CO₂ measurement.

Compensation

In building automation up to now, compensating for the influence of atmospheric pressure was neglected. Due to low- and high-pressure weather conditions and differing altitudes above sea level, barometric pressure variations of up to ± 100 mbar can apply. This can result in measurement errors of up to ± 16 % of the measured value in an uncompensated systems. Our new generation of devices features an integrated atmospheric pressure measurement that compensates CO₂ reading accordingly.



S+S Regeltechnik supplies measuring instruments for CO₂ or VOC measurement in various types of design and, in contrast to other manufacturers, combined devices for CO₂ and VOC measurement with separate sensors for both of these measurands in addition to several switchable measuring ranges.

The most important aspect of ventilation on an as-needed basis is the general room air quality, often also referred to as the "comfort zone". Aside from the generally known and accepted control variables, such as relative humidity and temperature, CO₂ and VOC concentrations in the air are also important parameters to be controlled. Each individual interprets room air and its quality differently.

For that reason, air quality can only be defined in rather general terms. The air must be perceived as pleasant by a majority of people and it must not lead to any discomfort. Air must not contain any hazardous concentrations of pollutants. In this respect, the opinions of persons entering the room are decisive. This is because they soon become accustomed to their surroundings and therefore to the various pollution burdens, which they then no longer notice. An important function of systems for energy-saving ventilation on an as-needed basis is to guarantee good room air quality.

Carbon dioxide

A measuring system based on NDIR (non-dispersive infra-red sensor) technology for CO₂ measurement consists of a light source and a receptor. A certain range of wavelengths of light radiated by the source is damped and absorbed by CO₂ molecules in the measured section. This damping is detected by the receptor.

In building automation applications, detection of the CO₂ content in air is primarily undertaken to control non-smoking rooms occupied by varying numbers of persons, such as conference rooms, break rooms, cinemas, schools, etc. Here, the increased CO₂ content caused by the presence of persons is interpreted as a "deterioration" of the air quality.

Over the last few years, a standard measuring range of 0...2000 ppm (parts per million) has become established for CO₂ measuring instruments. Although this measuring range covers the recommended maximum CO₂ concentrations for working and residential rooms (1000...1500 ppm), in practice however it became apparent that in many applications the measuring range of 2000 ppm does not suffice. Therefore, we have developed and launched a new generation of devices with switchable upper measuring range limits of 2000 ppm, 5000 ppm, and 10000 ppm.

Mixed gas VOC

VOC is the abbreviation for Volatile Organic Compounds. According to the definition by the World Health Organization WHO, VOC are organic substances with a boiling range from +60 to +250°C.

Examples of VOCs include compounds of the substance groups alkanes / alkenes, aromatic compounds, terpenes, halogenated hydrocarbons, esters, aldehydes, and ketones. There is a large number of naturally occurring VOCs, some of which are also released into the atmosphere in substantial quantities, e.g. terpenes and isoprene from forests.

Environmental pollution by VOC caused by human activities increased significantly throughout the last century. The biggest contributor is traffic, followed in second place by the construction sector with construction chemistry products such as coating compounds, adhesives, or sealing compounds. Potential sources of VOC in indoor spaces in addition to construction materials include furnishing objects, cleaning and care products, hobby and do-it-yourself products, office chemicals and, above all, tobacco smoke. An essential carrier of VOC is floor carpeting. Odour problems due to VOC can also be caused by microbes, or metabolic substances from bacteria and fungi.

It is precisely these types of substances mentioned and their increased occurrence that are ascertained. Since the air to be monitored contains a multitude of different substances to which the sensor reacts and since gas mixtures are forming, this sensor does not function selectively but reflects the overall air quality. Also the statement as to what constitutes "good air" or "bad air" cannot be definitively made, as this is an entirely subjective sensation. Ventilation is recommended starting from a value between 60 - 80 % VOC.

The sensor alters its conductivity depending on the concentration, the nature, and the mixture ratio of reducing molecules in ambient air.

CO₂ and/ or VOC?

The above explanations demonstrate that there are applications for CO₂ measurement, for VOC measurement, but from our perspective, above all, for a combination of both measurands. The crucial factor in this respect is that both of these measurands are not convertible into each other and derivations to or from one another cannot be made. A NDIR CO₂ measuring instrument measures selectively and cannot detect any VOC, a VOC mixed gas sensor cannot recognize CO₂ molecules.

The new duct sensor featuring the Tyr2 housing design with PLEUROFORM™ multi-channel pipe handles this separation perfectly, can record both CO₂ concentration as well as VOC mixed gas (or gas pressure) and, if necessary, can function as a genuine multifunctional device that delivers humidity and temperature data.

Room air quality sensor (VOC) and measuring transducer, self-calibrating, with multi-range switching and active/switching output

Maintenance-free room sensor **AERASGARD® RLQ-SD** with active output, automatic calibration, in an elegant plastic housing with snap-on lid, for determining the air quality (0...100% VOC). The measuring transducer converts the measured values into a standard signal of 0-10 V or 4...20 mA (switchable).

Maintenance-free room sensor **AERASGARD® RLQ-W** with active/switching output, automatic calibration in an elegant plastic housing with snap-on lid, optional with traffic light indicator (five coloured LEDs), for determining the air quality (0...100% VOC). The measuring transducer converts the measured values into a standard signal of 0-10 V or 4...20 mA (switchable).

The sensor is used in offices, hotels, convention centres, apartments, shops, etc. for the purpose of evaluating the indoor climate. This enables energy-saving room ventilation on an as-needed basis, thereby reducing operating costs and improving well-being.

The air quality is detected by a **VOC sensor** (mixed gas sensor for volatile organic substances). This sensor determines the loading of the room air due to contaminated gases such as cigarette smoke, body perspiration, exhaled breathing air, solvent vapours, emissions, etc. With regard to the expected air contamination, low, medium or high VOC sensitivity can be selected. As an alternative, use IAQ categories (from excellent to unhealthy) following the guidelines of the German Federal Environmental Agency to assess the room air.

For more information, see start of chapter.

**RLQ-W
RLQ-SD**



TECHNICAL DATA

Power supply:	24 V AC / DC (± 10 %)
Power consumption:	< 1.5 W / 24 V DC typical; < 2.9 VA / 24 V AC typical
Sensor:	VOC sensor (metal oxide) (VOC = volatile organic compounds),, with manual calibration (via zero button), with automatic calibration (permanently active)
Measuring range:	0...100% air quality; referred to calibrating gas; multi-range switching (selectable via DIP switches) VOC sensitivities (low/medium/high) or IAQ category (Indoor Air Quality)
Output:	(0 V = clean air, 10 V = polluted air) RLQ-SD 0-10 V (fixed) RLQ-W 0-10 V or 4...20 mA, working resistance < 800 Ω (selectable via DIP switches), with offset potentiometer (± 10 % of the measuring range)
Relay output:	RLQ-SD without changeover contact RLQ-W with potential-free changeover contact (24 V / 1 A) (switchpoint can be adjusted from 0...100 % of the output signal)
Measuring accuracy:	typically ± 20 % of final value (referred to calibrating gas)
Service life:	> 60 months (under normal load conditions), depending on the type of loading and gas concentration
Gas exchange:	by diffusion
Ambient temperature:	0...+ 50 °C
Warm-up time:	approx. 1 hour
Response time:	approx. 1 minute
Electrical connection:	0.14 - 1.5 mm ² , via screw terminals
Housing:	plastic, material ABS, colour pure white (similar to RAL 9010), optional stainless steel V2A (1.4301)
Dimensions:	85 x 85 x 27 mm (Baldur 1) 100 x 100 x 25 mm (stainless steel)
Installation:	wall mounting or on in-wall flush box, Ø 55 mm, base with 4-hole for mounting on vertically or horizontally installed in-wall flush boxes for cable entry from the back, with predetermined breaking point for on-wall cable entry from top/bottom in case of plain on-wall installation
Protection class:	III (according to EN 60 730)
Protection type:	IP 30 (according to EN 60 529)
Standards:	CE conformity, electromagnetic compatibility according to EN 61 326, EMC Directive 2014 / 30 / EU, Low Voltage Directive 2014 / 35 / EU
Optional:	with traffic light indicator (five coloured LEDs, see table) for displaying the air quality.



S+S REGELTECHNIK

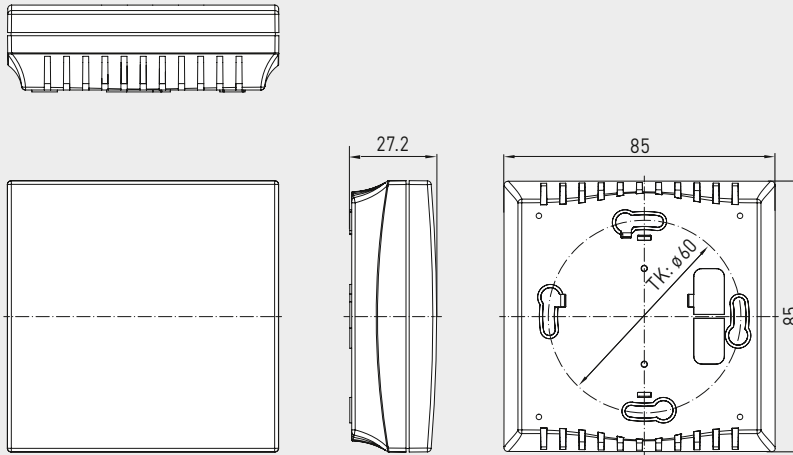
AERASGARD® RLQ-W
AERASGARD® RLQ-SD

Room air quality sensor (VOC) and measuring transducer,
self-calibrating, with multi-range switching
and active/switching output



Dimensional drawing

RLQ-W
RLQ-SD



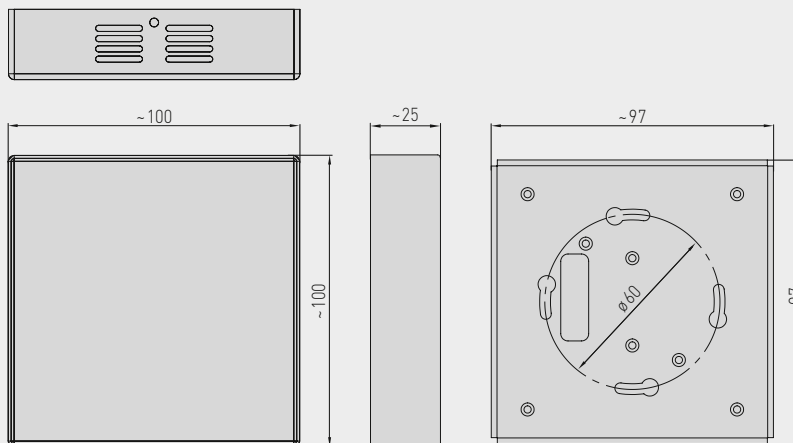
RLQ-W-A
with LEDs



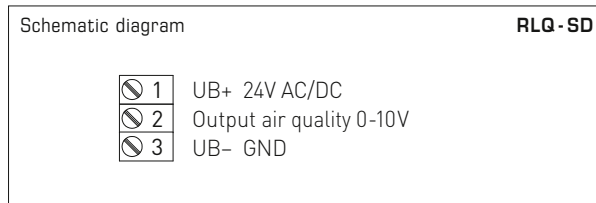
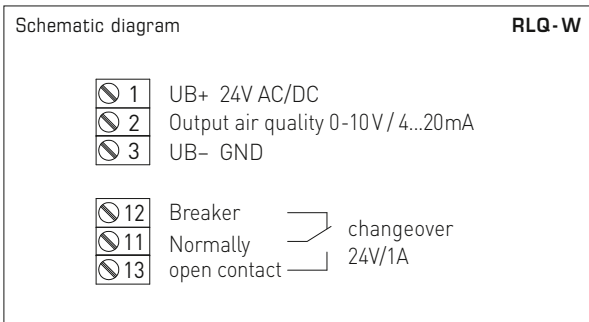
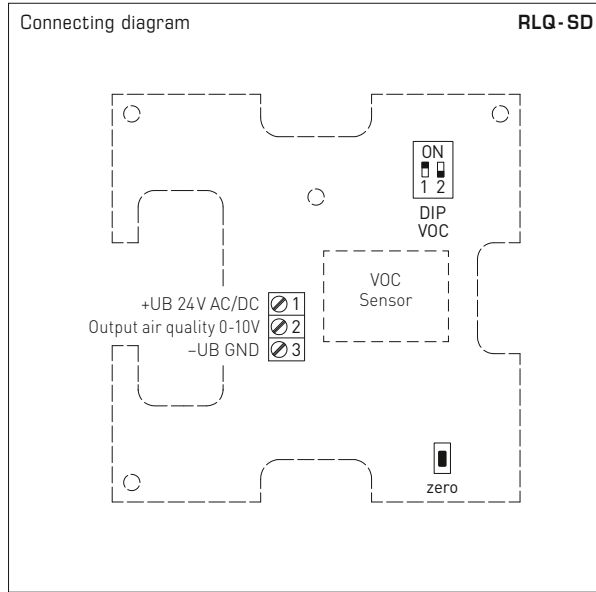
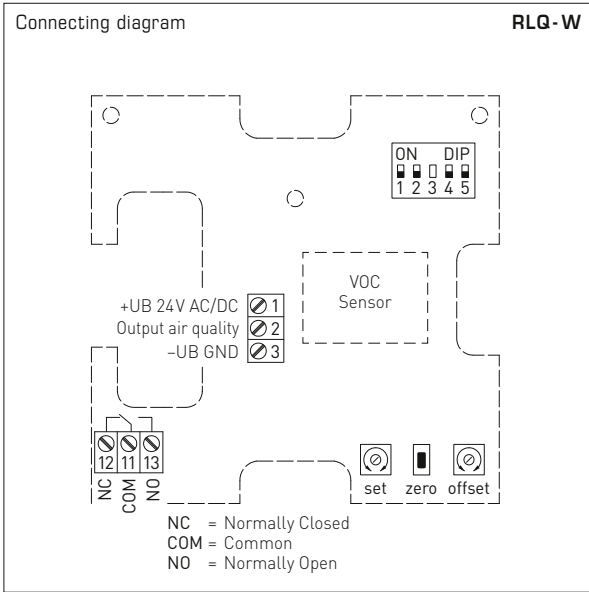
Dimensional drawing

RLQ-W VA

RLQ-W VA
(stainless steel housing)



Room air quality sensor (VOC) and measuring transducer, self-calibrating, with multi-range switching and active/switching output



DIP switches RLQ-W		
VOC sensitivity	DIP 1	DIP 2
LOW	OFF	OFF
MEDIUM (default)	ON	OFF
HIGH	OFF	ON
IAQ (Indoor Air Quality)	ON	ON
Output	DIP 4	
Voltage 0-10V (default)	OFF	
Current 4...20 mA	ON	
Traffic light (5x LEDs)	DIP 5	
deactivated	OFF	
activated	ON	
Note: DIP 3 is not assigned!		

DIP switches RLQ-SD		
VOC sensitivity	DIP 1	DIP 2
LOW	OFF	OFF
MEDIUM (default)	ON	OFF
HIGH	OFF	ON
IAQ (Indoor Air Quality)	ON	ON

Level	IAQ (Indoor Air Quality)	VOC
1	excellent no action required	0...19%
2	good prompt airing recommended	20...39%
3	moderate airing recommended	40...59%
4	poor increased airing required	60...79%
5	unhealthy intense airing necessary	80...100%

Table according to TVOC guidelines of the German Federal Environmental Agency to assess indoor air contamination (Bundesgesundheitsbl – Gesundheitsforsch – Gesundheitsschutz 2007, 50: 990-1005)



S+S REGELTECHNIK

AERASGARD® RLQ-W
AERASGARD® RLQ-SD

Room air quality sensor (VOC) and measuring transducer,
self-calibrating, with multi-range switching
and active/switching output



Traffic light indicator					RLQ-W-A
VOC content	LED 1 green	LED 2 green	LED 3 yellow	LED 4 yellow	LED 5 red
0 %	25 %	–	–	–	–
5 %	50 %	–	–	–	–
10 %	75 %	–	–	–	–
15 %	100 %	–	–	–	–
20 %		25 %	–	–	–
25 %		50 %	–	–	–
30 %		75 %	–	–	–
35 %		100 %	–	–	–
40 %			25 %	–	–
45 %			50 %	–	–
50 %			75 %	–	–
55 %			100 %	–	–
60 %				25 %	–
65 %				50 %	–
70 %				75 %	–
75 %				100 %	–
80 %					25 %
85 %					50 %
90 %					75 %
95 %					100 %
100 %					

Once the aforementioned values have been reached, the respective LED becomes active (with increasing luminosity of 25 %, 50 %, 75 % and 100 %); LEDs that are already active continue to be illuminated.

RLQ-W-A
with LEDs



AERASGARD® RLQ-SD Room air quality sensor (VOC) and measuring transducer, *Standard*
AERASGARD® RLQ-W Room air quality sensor (VOC) and measuring transducer, *Premium*

Type / WG02	Measuring Range VOC	Output VOC	Equipment	Item No.	Price
RLQ-SD		(fixed)			
RLQ-SD-U	0...100 %	0-10 V	–	1501-61C0-1001-500	177,52 €
RLQ-W		(switchable)			
RLQ-W	0...100 %	0-10 V / 4...20 mA	Changeover contact	1501-61C0-7301-500	186,06 €
RLQ-W VA	0...100 %	0-10 V / 4...20 mA	Changeover contact, stainless steel housing	1501-61C0-7301-505	297,54 €
RLQ-W-A		(switchable)		with traffic light	
RLQ-W-A	0...100 %	0-10 V / 4...20 mA	Changeover contact, LEDs	1501-61C0-7331-500	212,28 €

A = with "traffic light" (five coloured LEDs) for displaying the air quality (VOC).

Note: This unit **must not** be used as safety-relevant device!

**CO2 traffic light / mobile CO2 sensor,
room CO2 sensor with traffic light indicator and acoustic signal,
self-calibrating**

Maintenance-free room sensor **AERASGARD® RCO2-AS xx** with traffic-light indicator and acoustic signal, self-calibrating, in an attractive plastic housing, for determining the CO2 content of the room air (0...3000 ppm). The measuring transducer converts the measurand to a standard signal, which is directly presented visually via coloured LEDs (traffic light indicator). An additional signal tone sounds when the warning levels are reached (can be switched off via DIP switch).

Available as a table-top unit **RCO2-AS NT ST** with micro USB power cord and stainless steel stand holder, as well as the device versions **RCO2-AS NT** (with plug-in power supply unit), **RCO2-AS UPNT** (with in-wall power supply unit) and **RCO2-AS** (without power supply unit) for wall mounting.

The room filter with **CO2 traffic light** is used in classrooms, training rooms and convention centres, offices, hotels, apartments, shops, etc. and is used for easy and quick evaluation of the indoor climate. This enables energy-saving demand-based room ventilation, thereby reducing operating costs and improving well-being. One sensor for every 30m² of room area is recommended

The CO2 measurement is performed using an optical **NDIR sensor** (non-dispersive infra-red technology). For more information, see start of chapter.

RCO2-AS
without power supply unit



RCO2-AS UPNT
with in-wall power supply unit



TECHNICAL DATA

Power supply:	RCO2-AS: 5...24 V DC RCO2-AS UPNT: 5...24 V DC / 230 V AC (power supply unit)* RCO2-AS NT: 5...24 V DC / 230 V AC (power supply unit)* RCO2-AS NT ST: 5 V DC / 230 V AC (power supply unit)* *(included in the scope of delivery)
electrical connection:	RCO2-AS: terminal screws on circuit board (0.14 - 1.5 mm²), without power supply unit RCO2-AS UPNT: terminal screws on circuit board (0.14 - 1.5 mm²), in-wall power supply unit (open cable ends) RCO2-AS NT: terminal screws on circuit board (0.14 - 1.5 mm²), plug-in power supply unit (open cable ends/Euro plug) RCO2-AS NT ST: Micro-USB socket on circuit board, Micro-USB power supply (micro-USB/Euro plug)
Connection type:	2-wire circuit (no reverse polarity protection!)
Sensor:	optical NDIR sensor (non-dispersive infrared technology), with manual calibration (via zero button) with automatic calibration
Measurement range:	0...3000 ppm
Measuring accuracy:	typically ±30 ppm ±3% of measured value
Temperature dependence:	±5 ppm / °C or ±0.5% of measured value / °C (whichever is greater)
Pressure dependence:	±0.13% / mm Hg
Long-term stability:	<2% in 15 years
Gas exchange:	by diffusion
Ambient temperature:	0...+50 °C
Warm-up time:	approx. 1 hour
Measuring interval:	< 3 seconds
Housing:	plastic, material ABS, colour: pure white (similar to RAL 9010)
Dimensions:	85x85x27 mm (Baldur 1 housing) 110x85x100 mm (housing for stand holder)
Mounting:	RCO2-AS NT ST: immediately usable free-standing device without mounting (plug-and-play) RCO2-AS, RCO2-AS NT, RCO2-AS UPNT: wall mounting or on in-wall flush box, Ø 55 mm, base with 4 holes, for attachment to vertically or horizontally installed in-wall flush boxes for rear cable entry, with predetermined breaking point for top/bottom cable entry for surface-mounted installation
Protection class:	III (according to EN 60 730)
IP rating:	IP 30 (according to EN 60 529)
Standards:	CE-conformity, electromagnetic compatibility according to EN 61 326, EMC directive 2014 / 30 / EU, low voltage directive 2014 / 35 / EU
Equipment:	traffic light indicator (five coloured LEDs), acoustic signal (signal can be switched off) for displaying the CO2 concentration Type-specific equipment (see table): Plug-in power supply unit (CL = approx. 1.5 m) In-wall power supply unit for mounting on in-wall flush boxes Stand holder made from stainless steel

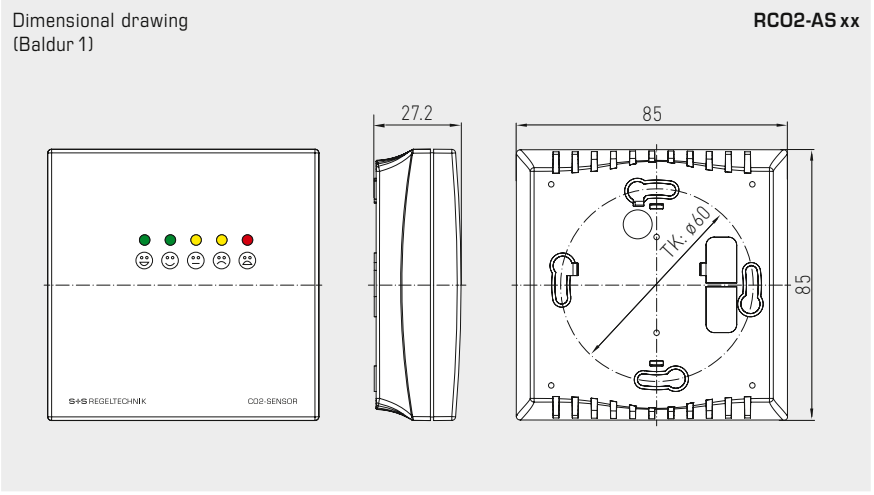


S+S REGELTECHNIK

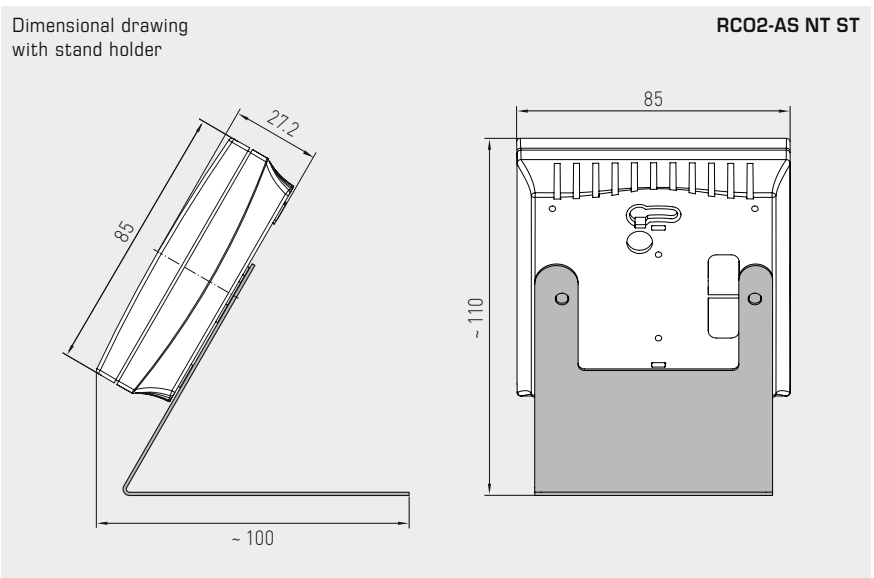


AERASGARD® RC02-AS xx

CO2 traffic light/mobile CO2 sensor,
room CO2 sensor with traffic light indicator and acoustic signal,
self-calibrating



RC02-AS NT
with plug-in power supply unit






RC02-AS NT ST
with Micro-USB power supply unit
and stainless steel
stand holder

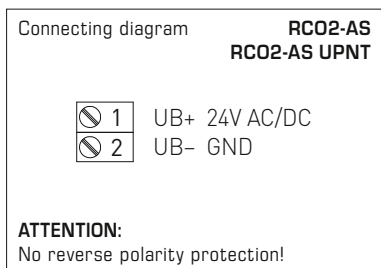
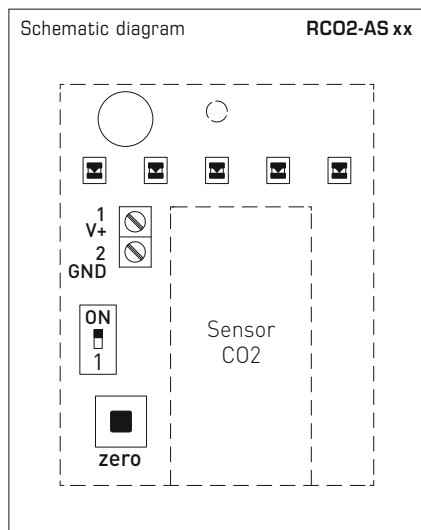


CO2 traffic light / mobile CO2 sensor,
room CO2 sensor with traffic light indicator and acoustic signal,
self-calibrating

Indicator	RCO2-AS xx					
CO2 content [ppm]	LED 1 green	LED 2 green	LED 3 yellow	LED 4 yellow	LED 5 red	signal tone
< 400	20 %	-	-	-	-	
401 - 500	40 %	-	-	-	-	
501 - 600	60 %	-	-	-	-	
601 - 700	80 %	-	-	-	-	
701 - 800	100 %	-	-	-	-	
801 - 840		20 %	-	-	-	
841 - 880		40 %	-	-	-	
881 - 920		60 %	-	-	-	
921 - 960		80 %	-	-	-	
961 - 1000		100 %	-	-	-	
1001 - 1080			20 %	-	-	1x 0.5 s
1081 - 1160			40 %	-	-	
1161 - 1240			60 %	-	-	
1241 - 1320			80 %	-	-	
1321 - 1400			100 %	-	-	
1401 - 1520				20 %	-	2x 0.5 s
1521 - 1640				40 %	-	
1641 - 1760				60 %	-	
1761 - 1880				80 %	-	
1881 - 2000				100 %	-	
2001 - 2200					20 %	3x 0.5 s
2201 - 2400					40 %	
2401 - 2600					60 %	
2601 - 2800					80 %	
2801 - 3000					100 %	1x 1.5 s

Recommendation	RCO2-AS xx	
Level	Traffic light indicator	signal tone (0.5 sec)
1	● green no action required	
2	● green prompt airing recommended	
3	● yellow airing recommended	
4	● yellow airing required	
5	● red intensive airing necessary	

Once the aforementioned values have been reached, the respective LED becomes active (with increasing luminosity of 20 %, 40 %, 60 %, 80 % and 100 %); LEDs that are already active continue to be illuminated.



DIP switches	RCO2-AS xx
Acoustic signal (can be switched off)	DIP 1
active signal tone On (default)	ON
deactivated signal tone Off	OFF





S+S REGELTECHNIK



AERASGARD® RCO2-AS xx

CO2 traffic light/mobile CO2 sensor,
room CO2 sensor with traffic light indicator and acoustic signal,
self-calibrating



RCO2-AS
without power supply unit



RCO2-AS UPNT
with in-wall power supply unit



RCO2-AS NT
with plug-in power supply unit



RCO2-AS NT ST
with Micro-USB power supply unit
and stainless steel
stand holder



AERASGARD® RCO2-AS xx		Room CO2 sensor with traffic light display and acoustic signal			
Type/WG02	Measuring ranges CO2	Display CO2	Equipment	Item no. (Balduz 1)	Price
RCO2-AS xx					
RCO2-AS	0...3000 ppm	5 LEDs, signal tone	without power supply unit	1501-61A0-0686-230	207,78 €
RCO2-AS NT	0...3000 ppm	5 LEDs, signal tone	Plug-in power supply unit	1501-61A0-0686-232	212,22 €
RCO2-AS NT ST	0...3000 ppm	5 LEDs, signal tone	Micro-USB power supply unit, stainless steel stand holder	1501-61A0-0686-231	208,94 €
RCO2-AS UPNT	0...3000 ppm	5 LEDs, signal tone	In-wall power supply unit	1501-61A0-0686-233	309,76 €
Note:	This unit must not be used as a safety-relevant device!				

**Room CO2 sensor and measuring transducer,
self-calibrating, with multi-range switching
and active/switching output**

Maintenance-free room sensor **AERASGARD® RCO2 - SD** with active output, automatic calibration (fixed), in an elegant plastic housing with snap-on lid, for determining the CO2 content of the air (0...2000ppm). The measuring transducer converts the measured values into a standard signal of 0-10V.

Maintenance-free room sensor **AERASGARD® RCO2 - W** with active/switching output, automatic calibration (can be deactivated), in an elegant plastic housing with snap-on lid, optional with traffic light indicator (five coloured LEDs), for determining the CO2 content of the air (0...2000 ppm/0...5000 ppm). The measuring transducer converts the measured values into a standard signal of 0-10V or 4...20mA (switchable).

The sensor is used in offices, hotels, convention centres, apartments, shops, etc. for the purpose of evaluating the indoor climate. This enables energy-saving room ventilation on an as-needed basis, thereby reducing operating costs and improving well-being. One sensor for every 30m² of room area is recommended.

The CO2 measurement is performed using an optical **NDIR sensor** (non-dispersive infra-red technology). The detection range is calibrated for standard applications such as monitoring residential rooms and conference rooms.

For more information, see start of chapter.

TECHNICAL DATA

Power supply:	24 V AC / DC (± 10 %)
Power consumption:	< 1.5 W / 24 V DC typical; < 2.9 VA / 24 V AC typical; peak current 200 mA
Sensor:	Optical NDIR sensor (non-dispersive infra-red technology), with manual calibration (via zero button), RCO2 - SD with automatic calibration (fixed) RCO2 - W with automatic calibration (can be deactivated via DIP switches)
Measuring range:	RCO2 - SD 0...2000 ppm (fixed) RCO2 - W 0...2000 ppm or 0...5000 ppm (selectable via DIP switches)
Output:	RCO2 - SD 0-10 V (fixed) RCO2 - W 0-10 V or 4...20 mA, working resistance < 800 Ω (selectable via DIP switches), with offset potentiometer (± 10 % of the measuring range)
Relay output:	RCO2 - SD without changeover contact RCO2 - W with potential-free changeover contact (24 V / 1 A)
Measuring accuracy:	typically ± 30 ppm ± 3 % of measured value
Temperature dependence:	± 5 ppm / °C or ± 0.5 % of measured value / °C (whichever is higher)
Pressure dependence:	± 0.13 % / mm Hg
Long-term stability:	< 2 % in 15 years
Gas exchange:	by diffusion
Ambient temperature:	0...+ 50 °C
Warm up time:	approx. 1 hour
Response time:	< 2 minutes
Electrical connection:	0.14 - 1.5 mm², via screw terminals
Housing:	plastic, material ABS, colour pure white (similar to RAL 9010), stainless steel housing optional V2A (1.4301)
Dimensions:	85 x 85 x 27 mm (Baldur 1) 100 x 100 x 25 mm (stainless steel)
Installation:	wall mounting or on in-wall flush box, Ø 55 mm, base with 4-hole for mounting on vertically or horizontally installed in-wall flush boxes for cable entry from the back, with predetermined breaking point for on-wall cable entry from top / bottom in case of plain on-wall installation
Protection class:	III (according to EN 60 730)
Protection type:	IP 30 (according to EN 60 529)
Standards:	CE conformity, electromagnetic compatibility according to EN 61 326, EMC Directive 2014 / 30 / EU, Low Voltage Directive 2014 / 35 / EU
Optional:	with traffic light indicator (five coloured LEDs, see table) for displaying the CO2 concentration with display (see AERASGARD® RFTM-LQ-CO2) for displaying the actual CO2 content in ppm



S+S REGELTECHNIK

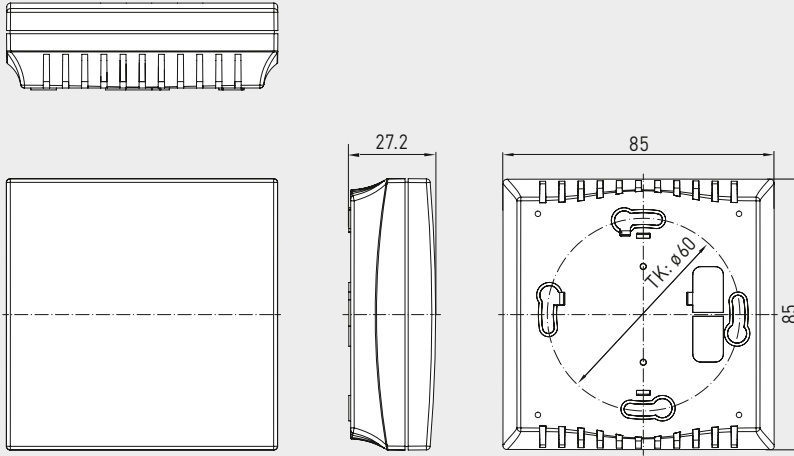
AERASGARD® RC02-W
AERASGARD® RC02-SD

Room CO2 sensor and measuring transducer,
self-calibrating, with multi-range switching
and active/switching output



Dimensional drawing

RC02-W
RC02-SD



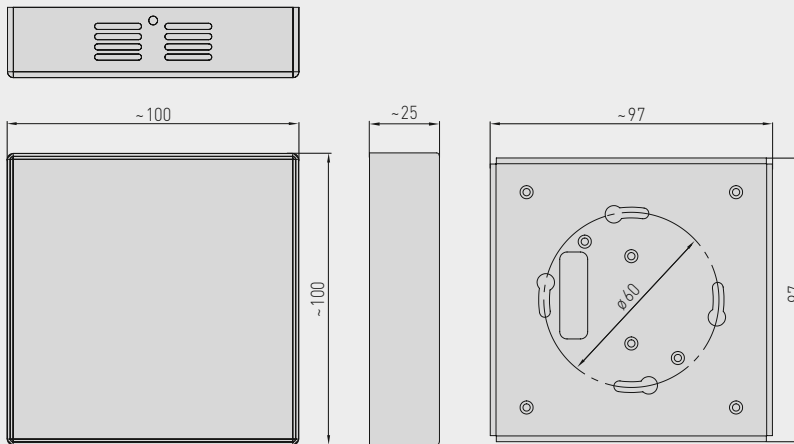
RC02-W
RC02-SD

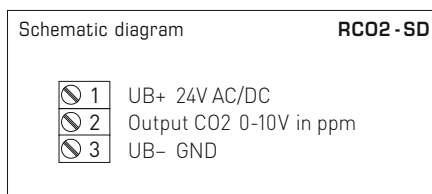
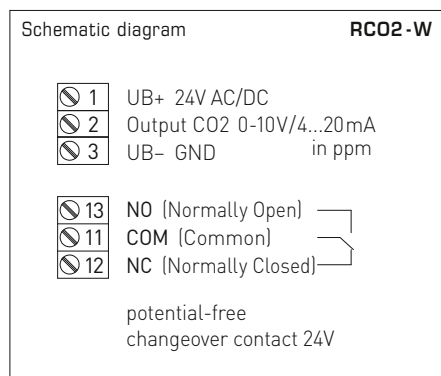
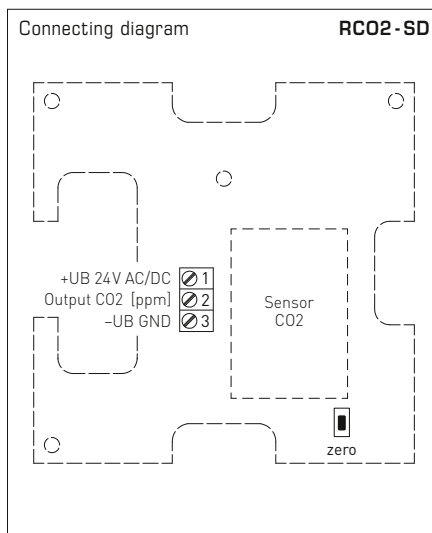
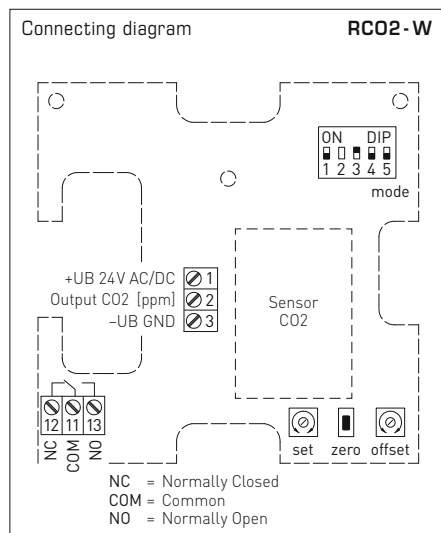


Dimensional drawing

RC02-W VA

RC02-W VA
(stainless steel housing)





DIP switches RCO2-W	
CO2 content	DIP 1
0...2000 ppm (default)	OFF
0...5000 ppm	ON
CO2 automatic zero point	DIP 3
deactivated	OFF
activated (default)	ON
Output	DIP 4
Voltage 0-10V (default)	OFF
Current 4...20mA	ON
Traffic light (5x LEDs)	DIP 5
deactivated	OFF
activated	ON
Note: DIP 2 is not assigned!	



S+S REGELTECHNIK

AERASGARD® RC02-W
AERASGARD® RC02-SD

Room CO2 sensor and measuring transducer,
self-calibrating, with multi-range switching
and active/switching output



Traffic light indicator		RC02-W-A				
CO2 content in ppm		LED 1	LED 2	LED 3	LED 4	LED 5
0...2000 ppm	0...5000 ppm	green	green	yellow	yellow	red
350	350	20 %	–	–	–	–
416	536	40 %	–	–	–	–
482	722	60 %	–	–	–	–
548	908	80 %	–	–	–	–
614	1094	100 %	–	–	–	–
680	1280		20 %	–	–	–
746	1466		40 %	–	–	–
812	1652		60 %	–	–	–
878	1838		80 %	–	–	–
944	2024		100 %	–	–	–
1010	2210			20 %	–	–
1076	2396			40 %	–	–
1142	2582			60 %	–	–
1208	2768			80 %	–	–
1274	2954			100 %	–	–
1340	3140				20 %	–
1406	3326				40 %	–
1472	3512				60 %	–
1538	3698				80 %	–
1604	3884				100 %	–
1670	4070					20 %
1736	4256					40 %
1802	4442					60 %
1868	4628					80 %
1934	4814					100 %
2000	5000					

Once the aforementioned values have been reached, the respective LED becomes active (with increasing luminosity of 20%, 40%, 60%, 80% and 100%); LEDs that are already active continue to be illuminated.

RC02-W-A
with LEDs



AERASGARD® RC02-SD Room CO2 sensor and measuring transducer, *Standard*
AERASGARD® RC02-W Room CO2 sensor and measuring transducer, *Premium*

Type / WG02	Measuring Range CO2	Output CO2	Equipment	Display	Item No. (Baldur 1)	Price
RC02-SD	(fixed)	(fixed)				
RC02-SD-U	0...2000 ppm	0-10 V	–		1501-61A0-1001-200	216,00 €
RC02-W	(switchable)	(switchable)				
RC02-W	0...2000 ppm / 0...5000 ppm	0-10 V / 4...20 mA	Changeover contact		1501-61A0-7301-200	255,89 €
RC02-W VA	0...2000 ppm / 0...5000 ppm	0-10 V / 4...20 mA	Changeover contact, stainless steel housing		1501-61A0-7301-205	365,72 €
RC02-W LCD	0...2000 ppm / 0...5000 ppm	0-10 V / 4...20 mA	Changeover contact, display	■ see RFTM-LQ-CO2		
RC02-W-A	(switchable)	(switchable)			with traffic light	
RC02-W-A	0...2000 ppm / 0...5000 ppm	0-10 V / 4...20 mA	Changeover contact, LEDs		1501-61A0-7331-200	300,73 €

A = with "traffic light" (five coloured LEDs) for displaying the CO2 concentration.

Note: This unit **must not** be used as safety-relevant device!

**Multifunctional room sensors and measuring transducers,
 for humidity, temperature, air quality (VOC) and CO2 content,
 calibratable, with active/switching output**

Maintenance-free room sensor **AERASGARD® RTM - CO2 - SD** with active output, automatic calibration, in an elegant plastic housing with snap-on lid, for determining the CO2 content of the air (0...2000 ppm) and the temperature (0...+50°C). The measuring transducer converts the measured values into a standard signal of 0-10V.

Maintenance-free room sensor **AERASGARD® RFTM - LQ - CO2 - W** with active/switching output, automatic calibration, in an elegant plastic housing with snap-on lid, optionally with/without display, for determining the CO2 content of the air (0...2000 ppm/0...5000 ppm), the quality in three VOC sensitivity (0...100% VOC), the temperature (0...+50°C) as well as the relative air humidity (0...100% RH). The measuring transducer converts the measured values into a standard signal of 0-10V or 4...20 mA (switchable).

The sensor is used in offices, hotels, convention centres, apartments, shops, etc. for the purpose of evaluating the indoor climate. This enables energy-saving room ventilation on an as-needed basis, thereby reducing operating costs and improving well-being. One sensor for every 30 m² of room area is recommended.

A long-term stable, **digital humidity and temperature sensor** guarantees exact measurement results.

The CO2 measurement is performed using an optical **NDIR sensor** (non-dispersive infra-red technology).

The detection range is calibrated for standard applications such as monitoring residential rooms and conference rooms.

The air quality is detected by a **VOC sensor** (mixed gas sensor for volatile organic substances). This sensor determines the loading of the room air due to contaminated gases such as cigarette smoke, body perspiration, exhaled breathing air, solvent vapours, emissions, etc. As an alternative, use IAQ categories (from excellent to unhealthy) following the guidelines of the German Federal Environmental Agency to assess the room air.

For more information, see start of chapter.

TECHNICAL DATA

Voltage supply:	24 V AC / DC (± 10 %)
Power consumption:	RCO2 - W / RTM - CO2 - SD: < 1.5 W / 24 V DC typical; < 2.9 VA / 24 V AC typical; peak current 200 mA RLQ - CO2 - W / RFTM - LQ - CO2 - W: < 4.4 W / 24 V DC typical; < 6.4 VA / 24 V AC typical; peak current 200 mA
Outputs:	RTM - CO2 - SD 0-10V (fixed) Rxx - CO2 - W 0-10V or 4...20 mA, working resistance < 800 Ω (selectable via DIP switches, selected variant applies for all outputs), with offset potentiometer (± 10 % of the measuring range)
Relay output:	RTM - CO2 - SD without changeover contact Rxx - CO2 - W with potential-free changeover contact (24 V / 1 A) (assignment selectable via DIP switches, switchpoint adjustable)

HUMIDITY

Sensor (RH / °C):	digital humidity sensor with integrated temperature sensor, low hysteresis, high long-term stability
Measuring range (RH):	0...100% RH
Output (RH):	0-10 V or 4...20 mA (selectable via DIP switches)
Deviation (RH):	typically ± 2.0 % (20...80% RH) at +25 °C, otherwise ± 3.0 %

TEMPERATURE

Measuring range (°C):	0...+ 50 °C
Deviation (°C):	typically ± 0.2 K at +25 °C
Output (°C):	RTM - CO2 - SD 0-10 V (fixed) Rxx - CO2 - W 0-10V or 4...20 mA (selectable via DIP switches)

AIR QUALITY (VOC)

Sensor (VOC):	VOC sensor (metal oxide) (VOC = volatile organic compounds), with manual calibration (via zero button) and automatic calibration (permanently active)
Measuring range (VOC):	0...100% air quality; referred to calibrating gas; multi-range switching (selectable via DIP switches) VOC sensitivities (low/medium/high) or IAQ category (Indoor Air Quality)
Output (VOC):	0-10 V (0V = clean air, 10 V = polluted air) or 4...20 mA (selectable via DIP switches, switchpoint can be adjusted from 0...100 % of the output signal)
Measuring accuracy (VOC):	typically ± 20 % of final value (referred to calibrating gas)
Service life (VOC):	> 60 months (under normal load conditions) depending on the type of loading and gas concentration

CARBON DIOXIDE (CO2)

Sensor (CO2):	optical NDIR sensor (non-dispersive infra-red technology), with manual calibration (via zero button), RTM - CO2 - SD with automatic calibration (fixed) Rxx - CO2 - W with automatic calibration (can be deactivated via DIP switches)
Measuring range (CO2):	RTM - CO2 - SD 0...2000 ppm (fixed) Rxx - CO2 - W 0...2000 ppm or 0...5000 ppm (selectable via DIP switches)
Output (CO2):	RTM - CO2 - SD 0-10 V (fixed) Rxx - CO2 - W 0-10V or 4...20 mA (selectable via DIP switches)
Measuring accuracy (CO2):	typically ± 30 ppm (± 3% of measured value)
Temperature dependence (CO2):	± 5 ppm / °C or ± 0.5 % of measured value / °C (whichever is higher)
Pressure dependence (CO2):	± 0.13 % / mm Hg
Long-term stability (CO2):	< 2 % in 15 years
Gas exchange (CO2):	by diffusion

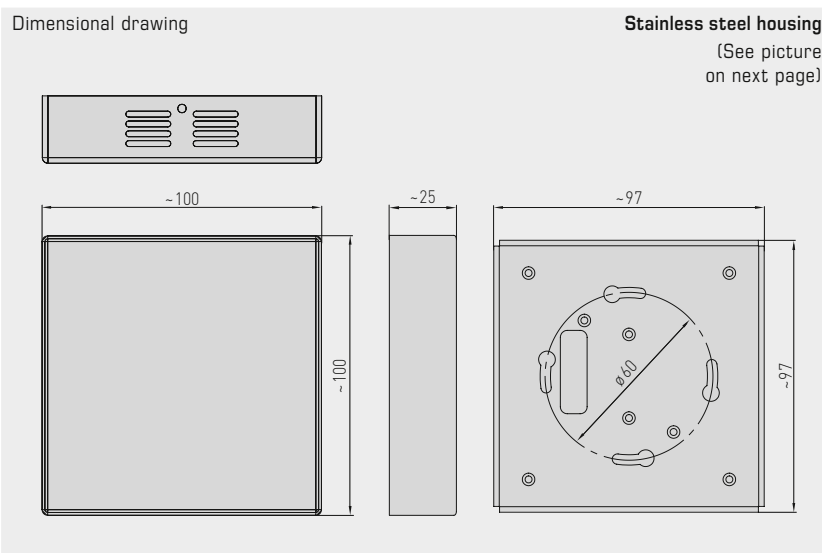
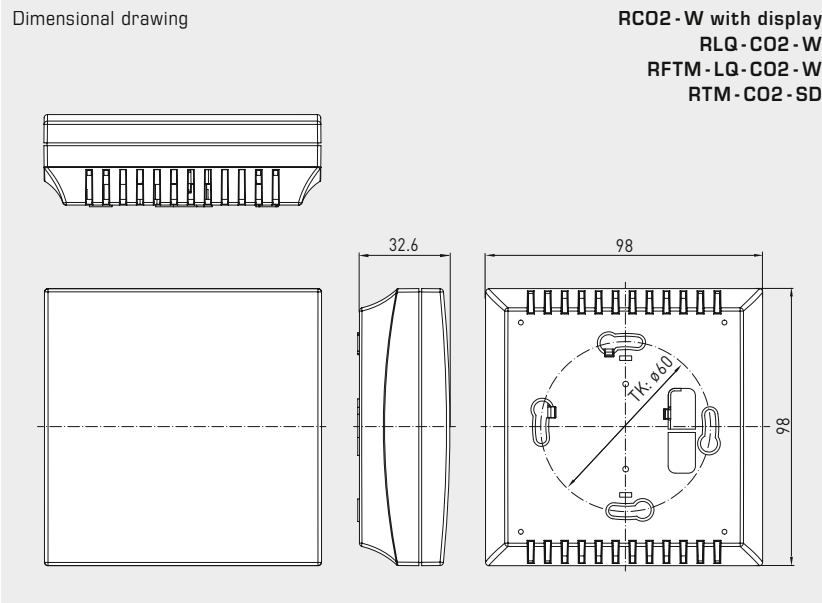
continued on next page!



S+S REGELTECHNIK

AERASGARD® RC02 - W / RLQ - CO2 - W AERASGARD® RFTM - (LQ) - CO2 - W / RTM - CO2 - SD

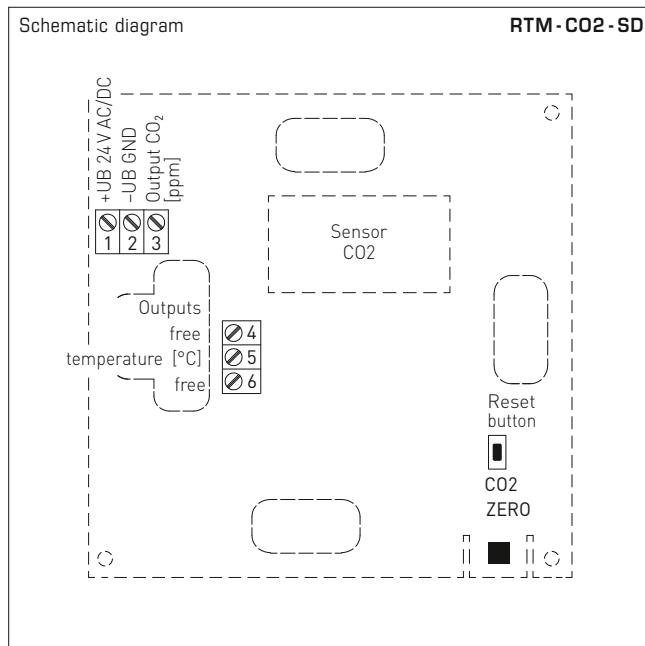
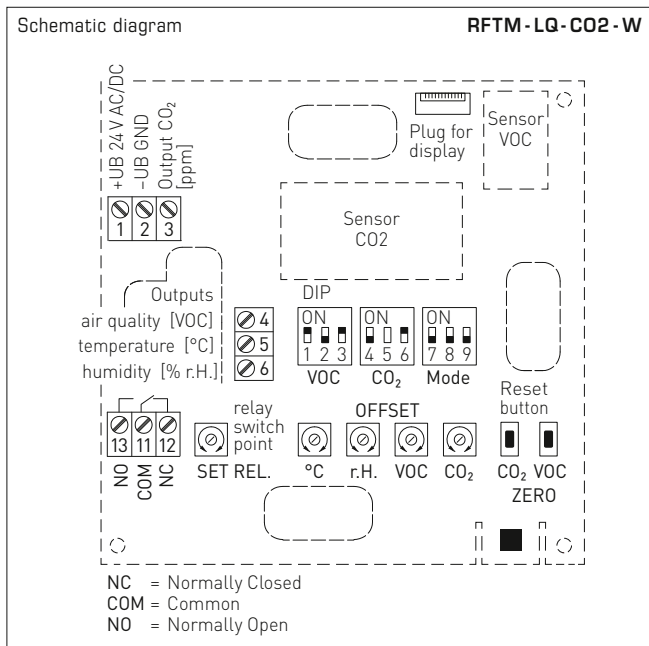
Multifunctional room sensors and measuring transducers,
for humidity, temperature, air quality (VOC) and CO2 content,
calibratable, with active/switching output



TECHNICAL DATA		[continued]
Ambient temperature:	0...+50 °C	
Permitted humidity:	0...95% RH (non-precipitating air)	
Warm up time:	approx. 1 hour	
Response time:	< 2 minutes	
Electrical connection:	0.14 - 1.5 mm ² , via screw terminals	
Housing:	plastic, material ABS, colour pure white (similar to RAL 9010), stainless steel V2A (1.4301) housing optional	
Dimensions:	98 x 98 x 33 mm (Baldur 2)	
Installation:	wall mounting or on in-wall flush box, Ø55 mm, base with 4 holes, for attachment to vertically or horizontally installed in-wall flush boxes for rear cable entry, with predetermined breaking point for cable entry from top/bottom in case of plain on-wall installation	
Protection class:	III (according to EN 60 730)	
Protection type:	IP 30 (according to EN 60 529)	
Standards:	CE conformity, electromagnetic compatibility according to EN 61 326, EMC Directive 2014 / 30 / EU, Low Voltage Directive 2014 / 35 / EU	
Optional:	display with illumination , two line, cutout approx. 36 x 15 mm (W x H), for displaying actual humidity, actual temperature, air quality and the actual CO2 content	



Multifunctional room sensors and measuring transducers,
 for humidity, temperature, air quality (VOC) and CO₂ content,
 calibratable, with active/switching output

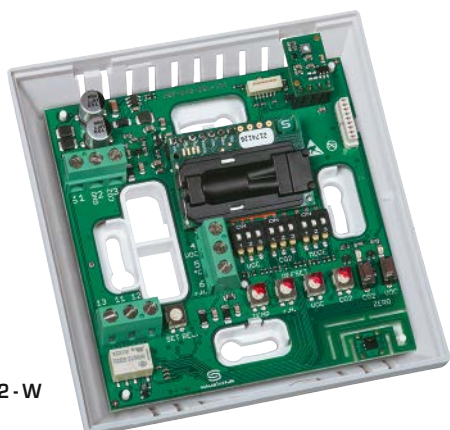


DIP switches (Baldur 2)		RFTM - LQ - CO2 - W	
VOC sensitivity		DIP 1	DIP 2
LOW		OFF	OFF
MEDIUM (default)		ON	OFF
HIGH		OFF	ON
IAQ (Indoor Air Quality)		ON	ON
CO2 content			DIP 4
0...2000 ppm (default)			OFF
0...5000 ppm			ON
CO2 automatic zero point			DIP 6
deactivated			OFF
activated (default)			ON
Relay assignment		DIP 7	DIP 8
CO2 (default): 600...1900 ppm / 900...4700 ppm		OFF	OFF
VOC: 10...95 %		ON	OFF
Temperature: +5...+48 °C		OFF	ON
Humidity: 10...95% RH		ON	ON
Output			DIP 9
Voltage 0-10V (default)			OFF
Current 4...20mA			ON
Note: DIP 3 and DIP 5 are not assigned!			

Level	IAQ (Indoor Air Quality)	VOC
1	excellent no action required	0...19 %
2	good prompt airing recommended	20...39 %
3	moderate airing recommended	40...59 %
4	poor increased airing required	60...79 %
5	unhealthy intense airing necessary	80...100 %

Table according to TVOC guidelines of the German Federal Environmental Agency to assess indoor air contamination
 (Bundesgesundheitsbl - Gesundheitsforsch - Gesundheitsschutz 2007, 50: 990-1005)

RFTM - LQ - CO2 - W
 (Baldur 2)



Stainless steel housing
 (optionally available upon request)





S+S REGELTECHNIK

AERASGARD® RCO2-W / RLQ-CO2-W AERASGARD® RFTM-(LQ)-CO2-W / RTM-CO2-SD

Multifunctional room sensors and measuring transducers,
for humidity, temperature, air quality (VOC) and CO2 content,
calibratable, with active/switching output



Humidity table

MR: 0...100% RH

% RH	U _A [V]	I _A [mA]
0	0	4.0
5	0.5	4.8
10	1.0	5.6
15	1.5	6.4
20	2.0	7.2
25	2.5	8.0
30	3.0	8.8
35	3.5	9.6
40	4.0	10.4
45	4.5	11.2
Continued at the right ...		

% RH	U _A [V]	I _A [mA]
50	5.0	12.0
55	5.5	12.8
60	6.0	13.6
65	6.5	14.4
70	7.0	15.2
75	7.5	16.0
80	8.0	16.8
85	8.5	17.6
90	9.0	18.4
95	9.5	19.2
100	10.0	20.0

Temperature table

MR: 0...+50 °C

°C	U _A [V]	I _A [mA]
0	0	4.0
5	1.0	5.6
10	2.0	7.2
15	3.0	8.8
20	4.0	10.4
25	5.0	12.0
30	6.0	13.6
35	7.0	15.2
40	8.0	16.8
45	9.0	18.4
50	10.0	20.0

AERASGARD® RTM-CO2-SD	Room temperature and CO2 sensor, <i>Standard</i>
AERASGARD® RCO2-W	Room CO2 sensor, <i>Premium</i>
AERASGARD® RLQ-CO2-W	Room air quality (VOC) and CO2 sensor, <i>Premium</i>
AERASGARD® RFTM-CO2-W	Multifunctional room sensor for humidity, temperature and CO2 content, <i>Deluxe</i>
AERASGARD® RFTM-LQ-CO2-W	Multifunctional room sensor for humidity, temperature, CO2 content and air quality (VOC), <i>Deluxe</i>

Type / WG02	Measuring Range				Equipment	Item No.	Price
	Humidity	Temperature	CO2	VOC	Display	(Balduz 2)	
RTM-CO2-SD			(fixed)				
RTM-CO2-SD-U	-	0...+50 °C	0...2000 ppm	-	-	1501-61B2-1001-200	236,49 €
RCO2-W			(switchable)				
RCO2-W (without display)	-	-	0...2000 / 5000 ppm	-	W	see RCO2-W / RCO2-SD	
RCO2-W LCD	-	-	0...2000 / 5000 ppm	-	W ■	1501-61B0-7321-200	307,21 €
RLQ-CO2-W			(switchable)				
RLQ-CO2-W	-	-	0...2000 / 5000 ppm	0...100%	W	1501-61B1-7301-500	386,67 €
RLQ-CO2-W LCD	-	-	0...2000 / 5000 ppm	0...100%	W ■	1501-61B1-7321-500	438,00 €
RFTM-CO2-W			(switchable)				
RFTM-CO2-W	0...100% RH	0...+50 °C	0...2000 / 5000 ppm	-	W	1501-61B6-7301-200	361,22 €
RFTM-CO2-W LCD	0...100% RH	0...+50 °C	0...2000 / 5000 ppm	-	W ■	1501-61B6-7321-200	400,64 €
RFTM-LQ-CO2-W			(switchable)				
RFTM-LQ-CO2-W	0...100% RH	0...+50 °C	0...2000 / 5000 ppm	0...100%	W	1501-61B8-7301-500	424,04 €
RFTM-LQ-CO2-W LCD	0...100% RH	0...+50 °C	0...2000 / 5000 ppm	0...100%	W ■	1501-61B8-7321-500	475,37 €
Outputs:	0-10V or 4...20 mA (selectable via DIP switches, selected variant applies for all outputs) – Standard room sensor RTM-CO2-SD with fixed output 0-10 V!						
Equipment:	W = changeover contact – Standard room sensor RTM-CO2-SD without changeover contact!						
Note:	This unit must not be used as safety-relevant device!						

**Fine dust sensor / particulate sensor,
 multifunctional room sensor and measuring transducer
 for humidity, temperature, fine dust (PM) and CO2 content,
 calibratable, with active/switching output**

Maintenance-free room sensor **AERASGARD® RPS-SD** with active output, in an elegant plastic housing with snap-on lid, base with 4-hole attachment, for detecting the fine dust content (0...500 µg/m³). The measuring transducer converts the measurand into a standard signal of 0-10V (fixed).

Maintenance-free, multifunctional room sensor **AERASGARD® RFTM-PS-CO2-W** with active/switching output, automatic calibration, in an elegant plastic housing with snap-on lid, base with 4-hole attachment, optionally with/without display, for detection of measurands air humidity (0...100% RH), temperature (0...+50°C), fine dust (PM) (0...50/100/300/500 µg/m³) and CO2 content (0...2000/5000 ppm). The measuring transducer converts the measurand into a standard signal of 0-10V or 4...20 mA (switchable).

Use just one device to monitor and control the entire indoor climate effectively. This enables energy-saving room ventilation on an as-needed basis, thereby reducing operating costs and improving well-being. It is used in offices, hotels, convention centres, apartments, shops, etc. One sensor for every 30 m² of room area is recommended.

A long-term stable, **digital humidity and temperature sensor** guarantees exact measurement results. The CO2 content of the air is measured using an optical **NDIR sensor** (non-dispersive infra-red technology). An optical **fine dust sensor** precisely detects **particulate (PM)** of the size category 0.3 to 10 micrometres. The sensor is factory-calibrated; an environmental precision adjustment by an expert is possible (except for particulate sensor).

TECHNICAL DATA

Power supply:	24 V AC / DC (± 10 %)	
Power consumption:	RPS-SD	typically < 1.5 W / 24 V DC; < 2.9 VA / 24 V AC
	RFTM-PS-CO2-W	typically < 4.4 W / 24 V DC; < 6.4 VA / 24 V AC; peak current 200 mA
Output:	RPS-SD	0-10 V (fixed)
	RFTM-PS-CO2-W	0-10 V or 4...20 mA, working resistance < 800 Ω (selectable via DIP switches, selected version applies uniformly to all outputs), with offset potentiometer (± 10% of measuring range)
Relay output:	RPS-SD	without changeover contact
	RFTM-PS-CO2-W	with potential-free changeover contact (24 V / 1 A) (assignment selectable via DIP switches, switch point can be set)

HUMIDITY

Sensor (RH / °C):	digital humidity sensor with integrated temperature sensor, low hysteresis, high long-term stability	
Measuring range (RH):	0...100% RH	
Output (RH):	0-10 V or 4...20 mA (selectable via DIP switches)	
Deviation (RH):	typically ± 2.0% (20...80% RH) at +25 °C, otherwise ± 3.0%	

TEMPERATURE

Measuring range (°C):	0...+ 50 °C	
Output (°C):	0-10 V or 4...20 mA (selectable via DIP switches)	
Deviation (°C):	typically ± 0.2 K at +25 °C	

FINE DUST (PM)

Sensor (PM):	optical particulate sensor (PM = particulate matter), fine-dust sensor with laser- and soiling-resistant technology	
Measuring range (PM):	multi-range switching (selectable via DIP switches) 0...50, 0...100, 0...300 or 0...500 µg/m³	
Output (PM):	RPS-SD	0-10 V (fixed)
	RFTM-PS-CO2-W	0-10 V or 4...20 mA (selectable via DIP switches)
Particle size (PM):	PM 2.5 (0.3...2.5 µm); PM 10 (0.3...10 µm)	
Measuring accuracy (PM):	typically ± 10 µg/m³ (± 10% of measured value) at PM 2.5 typically ± 25 µg/m³ (± 25% of measured value) at PM 10	
Long-term stability (PM):	± 1.25 µg/m³ (± 1.25% of measured value/year)	
Service life (PM):	> 10 years	

CARBON DIOXIDE (CO2)

Sensor (CO2):	Optical NDIR sensor (non-dispersive infra-red technology), with manual calibration (via zero button), with automatic calibration (can be deactivated via DIP switches)	
Measuring range (CO2):	0...2000 ppm or 0...5000 ppm (selectable via DIP switches)	
Output (CO2):	0-10 V or 4...20 mA (selectable via DIP switches)	
Measuring accuracy (CO2):	typically ± 30 ppm (± 3% of measured value)	
Temperature dependence (CO2):	± 5 ppm / °C or ± 0.5% of measured value / °C (whichever is greater)	
Pressure dependence (CO2):	± 0.13% / mm Hg	
Long-term stability (CO2):	< 2% in 15 years	
Gas exchange (CO2):	Diffusion	

Continued on next page!



S+S REGELTECHNIK

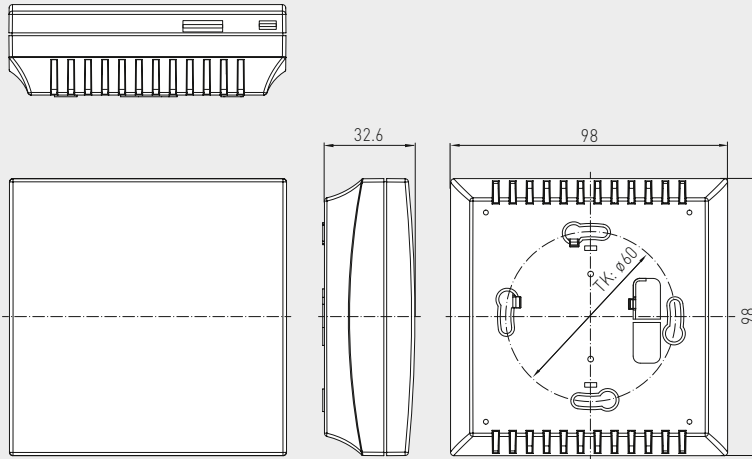
AERASGARD® RPS-SD AERASGARD® RFTM-PS-CO2-W

Fine dust sensor/particulate sensor, multifunctional room sensor and measuring transducer for humidity, temperature, fine dust (PM) and CO2 content, calibratable, with active/switching output



Dimensional drawing

RPS-SD
RFTM-PS-CO2-W



RPS-SD
RFTM-PS-CO2-W
without display



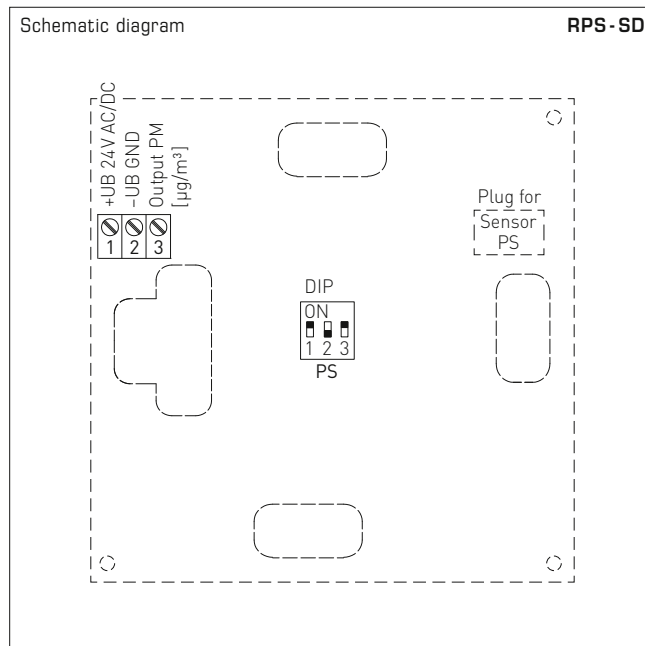
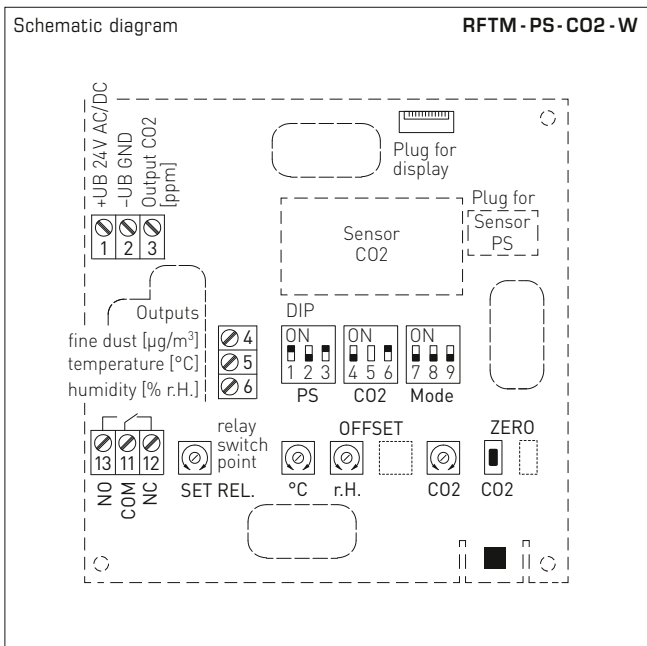
RFTM-PS-CO2-W
with display



TECHNICAL DATA

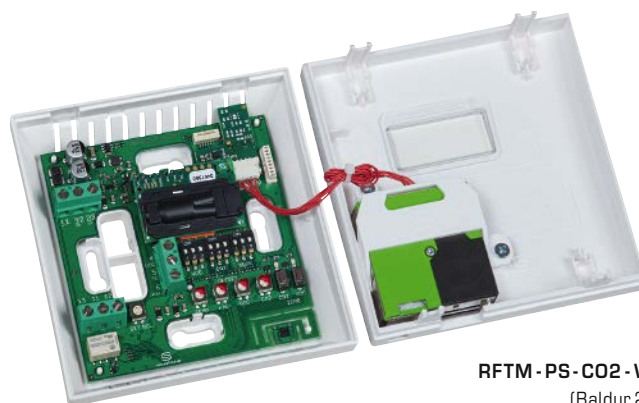
[continued]

Ambient temperature:	0...+50 °C
Permitted humidity:	0...95% RH (non-precipitating air)
Warm up time:	approx. 1 hour
Response time:	< 2 minutes
Electrical connection:	0.14 - 1.5 mm ² , via screw terminals
Housing:	plastic, material ABS, colour pure white (similar to RAL 9010)
Dimensions:	98 x 98 x 33 mm (BalduR 2)
Mounting:	wall mounting or on in-wall flush box, Ø 55 mm, base with 4 holes, for attachment to vertically or horizontally installed in-wall flush boxes for rear cable entry, with predetermined breaking point for top/bottom cable entry for surface-mounted installation
Protection class:	III (according to EN 60730)
IP rating:	IP 30 (according to EN 60529)
Standards:	CE conformity, electromagnetic compatibility according to EN 61326, EMC Directive 2014/30/EU, Low Voltage Directive 2014/35/EU
Optional:	Display with illumination , 2-line, cutout approx. 36 x 15 mm (W x H), to display the actual humidity, actual temperature, of the fine-dust and CO2 content as well as for switch point display



DIP switch	RFTM-PS-xx	
Fine dust (PM) Measuring range	DIP 1	DIP 2
0...50 µg/m³	OFF	OFF
0...100 µg/m³ (default)	ON	OFF
0...300 µg/m³	OFF	ON
0...500 µg/m³	ON	ON
Fine dust (PM) Particle size	DIP 3	
PM 2.5 (default)	ON	
PM 10	OFF	
CO2 content	DIP 4	
0...2000 ppm (default)	OFF	
0...5000 ppm	ON	
CO2 automatic zero point	DIP 6	
deactivated	OFF	
activated (default)	ON	
Relay assignment	DIP 7	DIP 8
CO2 (default) 600...1900 ppm / 900...4700 ppm	OFF	OFF
Fine dust 10%...95% of measuring range	ON	OFF
Temperature +5...+48 °C	OFF	ON
Humidity 10...95% RH	ON	ON
Output	DIP 9	
Voltage 0-10V (default)	OFF	
Current 4...20mA	ON	
Note: DIP 5 is not assigned !		

DIP switch	RPS-SD	
Fine dust (PM) Measuring range	DIP 1	DIP 2
0...50 µg/m³	OFF	OFF
0...100 µg/m³ (default)	ON	OFF
0...300 µg/m³	OFF	ON
0...500 µg/m³	ON	ON
Fine dust (PM) Particle size	DIP 3	
PM 2.5 (default)	ON	
PM 10	OFF	





Humidity table

MR: 0...100% RH

% RH	U _A [V]	I _A [mA]
0	0	4.0
5	0.5	4.8
10	1.0	5.6
15	1.5	6.4
20	2.0	7.2
25	2.5	8.0
30	3.0	8.8
35	3.5	9.6
40	4.0	10.4
45	4.5	11.2
Continued at the right ...		

Temperature table

MR: 0...+50 °C

°C	U _A [V]	I _A [mA]
0	0	4.0
5	1.0	5.6
10	2.0	7.2
15	3.0	8.8
20	4.0	10.4
25	5.0	12.0
30	6.0	13.6
35	7.0	15.2
40	8.0	16.8
45	9.0	18.4
50	10.0	20.0



AERASGARD® RPS-SD	Room fine dust sensor / fine dust sensor / particulate sensor (PM), <i>Standard</i>
RFTM-PS-W	Multifunctional room sensor for humidity, temperature and fine dust (PM), <i>Premium</i>
RFTM-PS-CO2-W	Multifunctional room sensor for humidity, temperature, fine dust (PM) and CO2 content, <i>Deluxe</i>

Type/ WG02	Measuring Range				Equipment	Item No.	Price
	Humidity	Temperature	PM	CO2	Display		
RPS-SD			(switchable)				
RPS-SD	-	-	0... 50 µg/m ³ 0...100 µg/m ³ 0...300 µg/m ³ 0...500 µg/m ³	-		1501-2110-1001-000	316,30 €
RFTM-PS-W			(switchable)	(switchable)			
RFTM-PS-W	0...100% RH	0...+50 °C	0... 50 µg/m ³ 0...100 µg/m ³ 0...300 µg/m ³ 0...500 µg/m ³	-	W	1501-2116-7301-000	412,61 €
RFTM-PS-W LCD	0...100% RH	0...+50 °C	(4x as above)	-	W ■	1501-2116-7321-000	501,29 €
RFTM-PS-CO2-W							
RFTM-PS-CO2-W	0...100% RH	0...+50 °C	0... 50 µg/m ³ 0...100 µg/m ³ 0...300 µg/m ³ 0...500 µg/m ³	0...2000 ppm / 0...5000 ppm	W	1501-2113-7301-000	480,36 €
RFTM-PS-CO2-W LCD	0...100% RH	0...+50 °C	(4x as above)	0...2000 ppm / 0...5000 ppm	W ■	1501-2113-7321-000	531,70 €

Outputs:	0-10V or 4...20mA (selectable via DIP switches, selected variant applies for all outputs) – <i>Standard</i> room sensor RPS-SD with fixed output 0-10V!
Equipment:	W = changeover contact – <i>Standard</i> room sensor RPS-SD without changeover contact!
Note:	These units must not be used as safety-relevant devices!

**Room CO2 and temperature sensor or measuring transducer,
in-wall in the panel switch programme,
with active output**

The room sensor **AERASGARD® FSCO2 / FSTM-CO2** in the in-wall housing is used for measuring the CO2 content and temperature of the air. It converts the measured values into a standard signal of 0-10 V.

The CO2 content of the air is measured using an optical NDIR sensor (non-dispersive infra-red technology). A digital, long-term stable sensor is used for temperature measurement.

The in-wall sensor is mounted in high-quality panel switch programmes, ideally of the brands Gira, Berker, Merten, Jung, Siemens or Busch-Jaeger (using in-wall adapters) either individually or in combination with light switches, socket outlets, etc.

It is used in non-aggressive, dust-free environments, in refrigeration, air conditioning and clean room technology, and in interior rooms, such as living rooms, offices, hotels, etc.

TECHNICAL DATA

Power supply:	24 V AC / DC (± 10 %)
Power consumption:	< 1.5 W / 24 V DC; < 2.9 VA / 24 V AC

CARBON DIOXIDE [CO2]

Sensor, CO2:	optical NDIR sensor (non-dispersive infra-red technology), with manual calibration (via zero button) and automatic calibration (fixed)
Long-term stability:	< 2 % in 15 years
Measuring range, CO2:	0...2000 ppm
Output, CO2:	0-10 V
Measuring accuracy, CO2:	typically ± 30 ppm ± 3 % of measured value
Temperature dependence, CO2:	± 5 ppm / °C or ± 0.5 % of measured value / °C (whichever is higher)
Pressure dependence:	± 0.13 % / mm Hg
Gas exchange:	by diffusion
Warm up time:	approx. 1 hour
Response time:	< 2 minutes

TEMPERATURE

Sensor:	digital temperature sensor , low hysteresis, high long-term stability
Long-term stability:	± 1 % per year
Measuring range:	0...+50 °C
Deviation, temperature:	typically ± 0.8 K at +25 °C
Output, temperature:	0-10 V

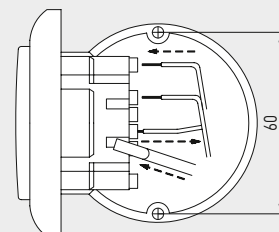
Mounting:	in-wall flush box Ø 55 mm
Electrical connection:	1.0-2.5 mm ² , via plug terminals
Ambient temperature:	Storage -35...+85 °C; Operation 0...+50 °C
Permitted humidity:	max. 90 % RH, non-precipitating air
Medium:	clean air and other non-aggressive, non-combustible gases
Protection class:	III (according to EN 60 730)
Protection type:	IP 20 (according to 60 529)
Standards:	CE-conformity, electromagnetic compatibility according to EN 61 326, EMC Directive 2014 / 30 / EU

SWITCH PROGRAMME

Manufacturer:	GIRA System 55 (other switch programmes, manufacturers, colours as well as prices available upon request)
Housing:	plastic, the standard colour is pure glossy white (similar to RAL 9010) (other colours are available upon request with colour variants depending on the respective light switch programme)

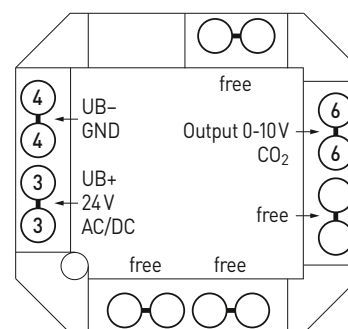
Mounting diagram

in-wall



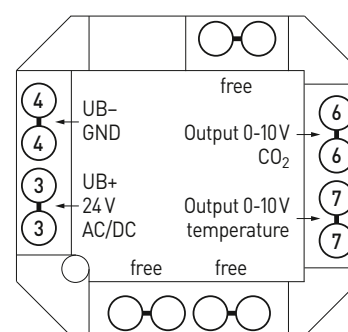
Connection diagram

FSCO2



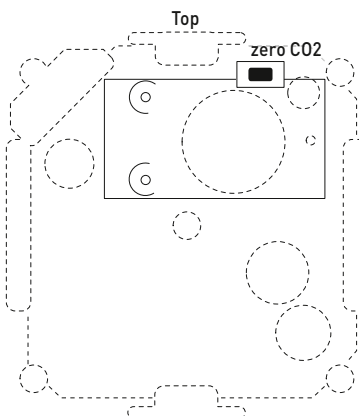
Connection diagram

FSTM-CO2



Schematic diagram

FSFTM-CO2

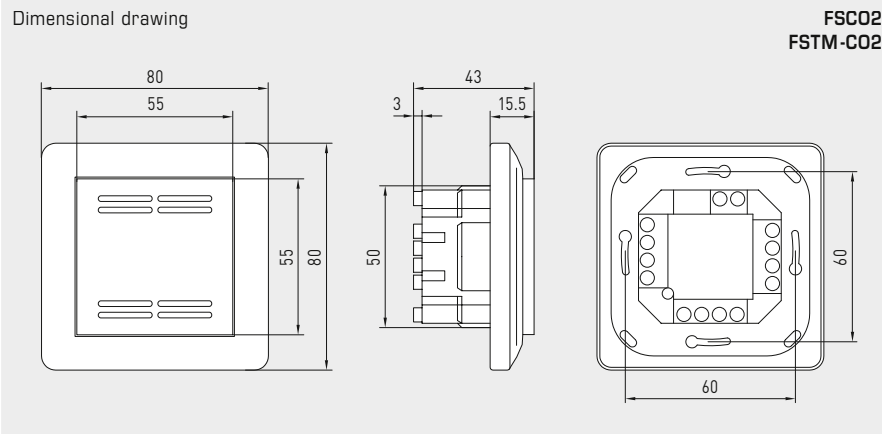




S+S REGELTECHNIK

AERASGARD® FSC02
AERASGARD® FSTM-C02

Room CO2 and temperature sensor or measuring transducer,
in-wall in the panel switch programme,
with active output



FSC02
FSTM-C02



CO2 content table
MR: 0...2000 ppm

ppm	U _A [V]
0	0.00
350	1.75
400	2.00
450	2.25
500	2.50
550	2.75
600	3.00
700	3.50
800	4.00
900	4.50
Continued to the right ...	

ppm	U _A [V]
1000	5.0
1100	5.5
1200	6.0
1300	6.5
1400	7.0
1500	7.5
1600	8.0
1700	8.5
1800	9.0
1900	9.5
2000	10.0

Temperature table
MR: 0...+50 °C

°C	U _A [V]
0	0.0
5	1.0
10	2.0
15	3.0
20	4.0
25	5.0
30	6.0
35	7.0
40	8.0
45	9.0
50	10.0

AERASGARD® FSC02 Room CO2 sensor or measuring transducer, in-wall
AERASGARD® FSTM-C02 Room temperature and CO2 sensor or measuring transducer, in-wall

Type / WG02	Measuring Range CO2	Temperature	Output CO2	Temperature	Item No.	Price
FSC02						
FSC02-U	0...2000 ppm	-	0-10 V	-	1501-9120-1001-162	348,04 €
FSTM-C02						
FSTM-C02-U	0...2000 ppm	0...+50 °C	0-10 V	0-10 V	1501-9122-1001-162	352,92 €



**Room air-quality sensors (VOC) or measuring transducers,
in-wall in the panel switch programme,
with active output**

Maintenance-free air-quality sensor **AERASGARD® FSLQ** with active output, automatic calibration, in the in-wall housing, for determining the air quality (0...100 % VOC). The measuring transducer converts the measured variables into a standard signal of 0-10V. The in-wall sensor is mounted in high-quality panel switch programmes, ideally of the brands Gira, Berker, Merten, Jung, Siemens or Busch-Jaeger (using in-wall adapters) either individually or in combination with light switches, socket outlets, etc.

The sensor is used in offices, hotels, convention centres, apartments, shops, etc. and is used for evaluating the indoor climate. This enables energy-saving room ventilation on an as-needed basis, thereby reducing operating costs and improving well-being.

The air quality is detected by a **VOC sensor** (mixed gas sensor for volatile organic substances). This determines the pollutant loading of the room air by contaminated gases such as cigarette smoke, body vapours, breathing air, solvent vapours, emissions, etc.

TECHNICAL DATA

Power supply:	24 V AC / DC (± 10 %)
Power consumption:	typically < 2.0 VA / 24 V AC; typically < 1.0 W / 24 V DC

AIR QUALITY (VOC)

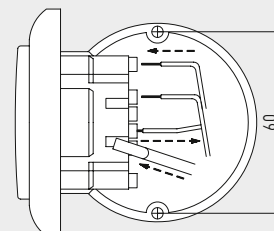
Sensor:	VOC sensor (metal oxide) with automatic calibration (VOC = volatile organic compounds) Detection of the gases is not selective
Measuring range:	0...100 % air quality (with reference to the calibration gas)
Measuring accuracy:	typically ± 20 % final value (with reference to the calibration gas)
Service life:	> 60 months (under normal load conditions)
Warm-up time:	approx. 1 hour
Response time:	< 60 s
Output:	0 - 10 V (0 V = clean air, 10 V = polluted air) (low to elevated room air pollution load)
Mounting:	in-wall flush box \varnothing 55 mm
Electrical connection:	max. 1.5 mm ² , via push-in terminals
Ambient temperature:	Storage $-20...+50$ °C; Operation $0...+50$ °C
Permitted humidity:	max. 95 % RH, non-condensing air
Medium:	clean air and non-aggressive, non-combustible gases
Protection class:	III (according to EN 60 730)
Protection type:	IP 20 (according to EN 60 529)
Standards:	CE-conformity, electromagnetic compatibility according to EN 61 326, EMC Directive 2014 / 30 / EU

SWITCH PROGRAMME

Manufacturer:	GIRA System 55 (other switch programmes, manufacturers, colours as well as prices available upon request)
Housing:	plastic, the standard colour is pure glossy white (similar to RAL 9010) (other colours are available upon request with colour variants depending on the respective light switch programme)

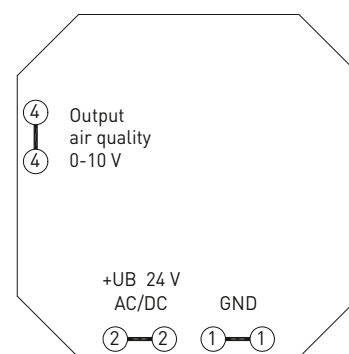
Mounting diagram
[mm]

In-wall



Schematic diagram

FSLQ-U



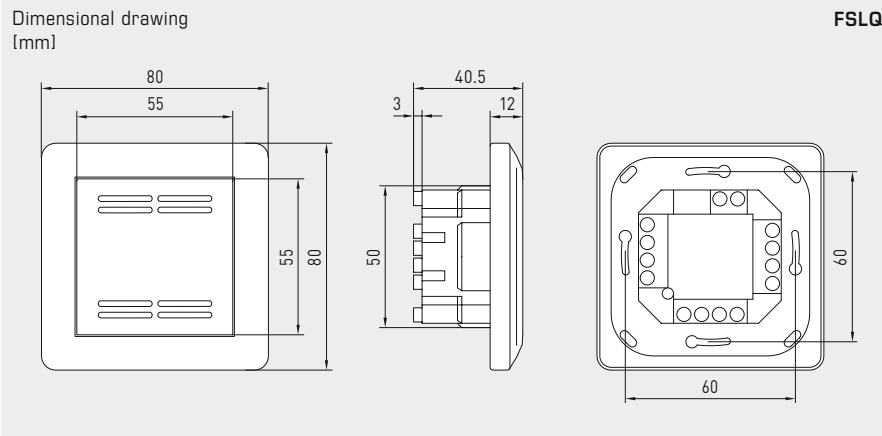


Table VOC content
MR: 0...100%

VOC %	U _A [V]
0	0,0
5	0,5
10	1,0
15	1,5
20	2,0
25	2,5
30	3,0
35	3,5
40	4,0
45	4,5
50	5,0
55	5,5
60	6,0
65	6,5
70	7,0
75	7,5
80	8,0
85	8,5
90	9,0
95	9,5
100	10,0

AERASGARD® FSLQ		Room air quality sensor (VOC) or measuring transducer, in-wall		
Type / WG01	Measuring range VOC	Output VOC	Item No.	Price
FSLQ	0...100%	0-10 V	1501-5120-1000-162	253,07 €
Note: This unit must not be used as a safety-relevant device!				



On-wall CO2 sensor and measuring transducer, self-calibrating, with multi-range switching and active / switching output

Maintenance-free on-wall sensor **AERASGARD® ACO2-SD** with active output, automatic calibration (fixed), in an impact-resistant plastic housing with quick-locking screws, for determining the CO2 content of the air (0...2000 ppm/0...5000 ppm). The measuring transducer converts the measured values into a standard signal of 0-10V.

Maintenance-free on-wall sensor **AERASGARD® ACO2-W** with active/switching output, automatic calibration (can be deactivated), in an impact-resistant plastic housing with quick-locking screws, optionally with/without display, for determining the CO2 content of the air (0...2000 ppm/0...5000 ppm). The measuring transducer converts the measured values into a standard signal of 0-10V or 4...20 mA (switchable).

The sensor is used in offices, hotels, convention centres, apartments, shops, etc. for the purpose of evaluating the indoor climate. This enables energy-saving room ventilation on an as-needed basis, thereby reducing operating costs and improving well-being. One sensor for every 30 m² of room area is recommended.

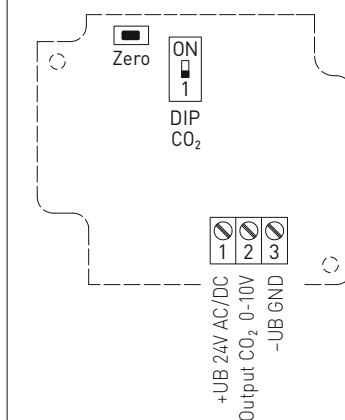
The CO2 measurement is performed using an optical **NDIR sensor** (non-dispersive infra-red technology). The detection range is calibrated for standard applications such as monitoring residential rooms and conference rooms.

For more information, see start of chapter.

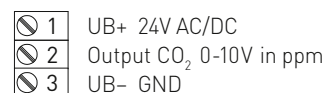
TECHNICAL DATA

Power supply:	24 V AC / DC (± 10 %)
Power consumption:	< 1.5 W / 24 V DC typical; < 2.9 VA / 24 V AC typical; Peak current 200 mA
Sensor:	optical NDIR sensor (non-dispersive infra-red technology), with manual calibration (via zero button), ACO2-SD with automatic calibration (fixed) ACO2-W with automatic calibration (can be deactivated via DIP switches)
Measuring range:	Multi-range switching (selectable via DIP switches) 0...2000 ppm; 0...5000 ppm
Output:	ACO2-SD 0-10V (fixed) ACO2-W 0-10V or 4...20mA, working resistance < 800 Ω (selectable via DIP switches), with offset potentiometer (± 10% of the measuring range)
Relay output:	ACO2-SD without changeover contact ACO2-W with potential-free changeover contact (24V / 1 A), switchpoint adjustable
Measuring accuracy:	typically ± 30 ppm ± 3 % of measured value
Temperature dependence:	± 5 ppm / °C or ± 0.5 % of measured value / °C (whichever is higher)
Pressure dependence:	± 0.13 % / mm Hg
Long-term stability:	< 2 % in 15 years
Gas exchange:	by diffusion
Warm up time:	approx. 1 hour
Ambient temperature:	-10...+60 °C
Response time:	approx. 1 minute
Electrical connection:	0.14 - 1.5 mm², via screw terminals
Housing:	plastic, UV-resistant, material polyamide, 30 % glass-globe reinforced, with quick-locking screws (slotted / Phillips head combination), colour traffic white (similar to RAL 9016)
Housing dimensions:	126 x 90 x 50 mm (Tyr 2)
Cable connection:	cable gland , plastic (M 16 x 1.5; with strain relief, exchangeable, max. inner diameter 10.4 mm) or M12 connector according to DIN EN 61076-2-101 (optional on request)
Process connection:	by screws
Protection class:	III (according to EN 60 730)
Protection type:	IP 65 (according to EN 60 529)
Standards:	CE conformity, electromagnetic compatibility according to EN 61 326, EMC Directive 2014 / 30 / EU
Optional:	with display (see AERASGARD® AFTM-LQ-CO2) for displaying the actual CO2 content in ppm
ACCESSORIES	see table

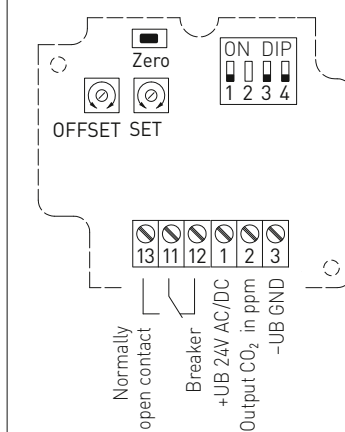
Schematic diagram **ACO2 - SD**



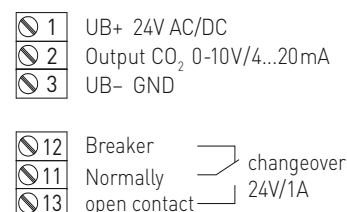
Connecting diagram **ACO2 - SD**



Schematic diagram **ACO2 - W**



Connecting diagram **ACO2 - W**

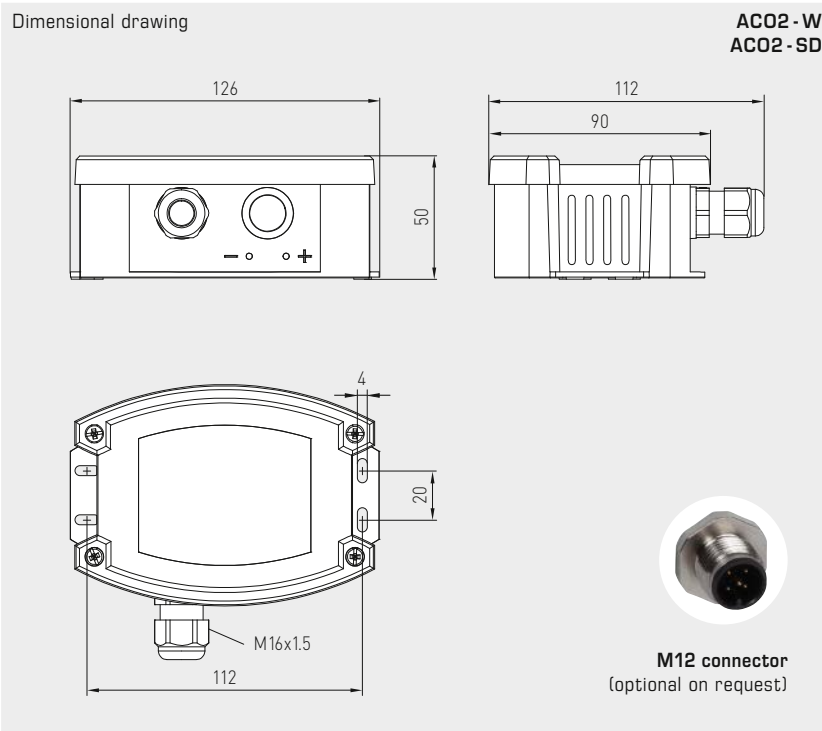




S+S REGELTECHNIK

AERASGARD® AC02-W
AERASGARD® AC02-SD

On-wall CO2 sensor and measuring transducer,
self-calibrating, with multi-range switching
and active/switching output



AC02 - W
AC02 - SD



WS-03

Weather and sun protection hood
(optional)

DIP switch	AC02 - W
CO2 content	DIP 1
0...2000 ppm (default)	OFF
0...5000 ppm	ON
CO2 automatic zero point	DIP 3
deactivated	OFF
activated (default)	ON
Output	DIP 4
Voltage 0-10 V (default)	OFF
Current 4...20 mA	ON
Note: DIP 2 is not assigned!	

DIP switch	AC02 - SD
CO2 content	DIP 1
0...2000 ppm (default)	OFF
0...5000 ppm	ON



AERASGARD® AC02-SD On-wall CO2 sensor and measuring transducer, *Standard*
AERASGARD® AC02-W On-wall CO2 sensor and measuring transducer, *Premium*

Type / WG02B	Measuring Range CO2	Output CO2	Equipment	Display	Item No.	Price
AC02-SD	(switchable)	(fixed)				
AC02-SD-U	0...2000 ppm / 0...5000 ppm	0-10 V	-		1501-7110-1001-200	252,15 €
AC02-W	(switchable)	(switchable)				
AC02-W	0...2000 ppm / 0...5000 ppm	0-10 V / 4...20 mA	changeover contact		1501-7110-7301-200	361,77 €
AC02-W LCD	0...2000 ppm / 0...5000 ppm	0-10 V / 4...20 mA	changeover contact, display	■	see AFTM-LQ-C02	
Optional:	Cable connection with M12 connector according to DIN EN 61076-2-101 (on request)					
Note:	This unit must not be used as safety-relevant device!					

ACCESSORIES						
WS-03	Weather and sun protection hood , 200 x 180 x 150 mm, stainless steel V2A (1.4301)				7100-0040-6000-000	46,08 €
For further information see last chapter!						

**Multifunctional on-wall sensors and measuring transducers,
 for humidity, temperature, CO2 content and air quality (VOC),
 calibratable, with active/switching output**

Maintenance-free on-wall sensor **AERASGARD® ATM - CO2 - SD** with active output, automatic calibration, in an impact-resistant plastic housing with quick-locking screws, for determining the CO2 content of the air (0...2000 ppm/0...5000 ppm) and the temperature (-35...+80 °C). The measuring transducer converts the measured values into a standard signal of 0-10V.

Maintenance-free on-wall sensor **AERASGARD® AFTM - LQ - CO2 - W** with active/switching output, automatic calibration, in an impact-resistant plastic housing with quick-locking screws, optionally with/without Display, for determining the CO2 content of the air (0...2000 ppm/0...5000 ppm), the quality (0...100 % VOC), the temperature (-35...+80 °C) as well as the relative air humidity (0...100 % RH). The measuring transducer converts the measured values into a standard signal of 0-10V or 4...20mA (switchable).

The sensor is used in offices, hotels, convention centres, apartments, shops, etc. for the purpose of evaluating the indoor climate. This enables energy-saving room ventilation on an as-needed basis, thereby reducing operating costs and improving well-being. One sensor for every 30 m² of room area is recommended.

A long-term stable, **digital humidity and temperature sensor** guarantees exact measurement results. The CO2 measurement is performed using an optical **NDIR sensor** (non-dispersive infra-red technology). The detection range is calibrated for standard applications such as monitoring residential rooms and conference rooms. The air quality is detected by a **VOC sensor** (mixed gas sensor for volatile organic substances). This sensor determines the loading of the room air due to contaminated gases such as cigarette smoke, body perspiration, exhaled breathing air, solvent vapours, emissions, etc. With regard to the expected air contamination, low, medium or high VOC sensitivity can be selected. As an alternative, use IAQ categories (from excellent to unhealthy) following the guidelines of the German Federal Environmental Agency to assess the room air.

For more information, see start of chapter.

TECHNICAL DATA

Voltage supply:	24 V AC / DC (± 10 %)
Power consumption:	< 4.8 W / 24V DC typical; < 6.8 VA / 24 V AC typical; peak current 200 mA
Outputs:	Axx-SD 0-10V (fixed) Axx-W 0-10V or 4...20 mA, working resistance < 800 Ω (selectable via DIP switches, selected variant applies for all outputs), with offset potentiometer (± 10 % of the measuring range)
Relay output:	Axx-SD without changeover contact Axx-W with potential-free changeover contact (24 V / 1 A)

HUMIDITY

Sensors:	digital humidity sensor with integrated temperature sensor , low hysteresis, high long-term stability
Sensor protection:	plastic sinter filter, Ø 16 mm, L = 35 mm, exchangeable (optional metal sinter filter, Ø 16 mm, L = 32 mm)
Measuring range, humidity:	0...100 % RH
Operating range, humidity:	0...95 % RH (without dew formation)
Deviation of humidity:	typically ± 2.0 % (20...80 % RH) at +25 °C, otherwise ± 3.0 %
Output, humidity:	0-10 V or 4...20 mA (selectable via DIP switches)

TEMPERATURE

Measuring range, temperature:	-35...+80 °C
Operating range, temperature:	-10...+60 °C
Temperature deviation:	typically ± 0.4 K at 25 °C
Output, temperature:	Axx-SD 0-10V (fixed) Axx-W 0-10V or 4...20 mA (selectable via DIP switches)

AIR QUALITY (VOC)

Sensor, VOC:	VOC sensor (metal oxide) (VOC = volatile organic compounds), with manual calibration (using zero button) and automatic calibration (permanently active)
Measuring range, VOC:	0...100 % air quality; referred to calibrating gas; multi-range switching (selectable via DIP switches) VOC sensitivities (low/medium/high) or IAQ category (Indoor Air Quality)
Output, VOC:	0-10 V (0V = clean air, 10 V = polluted air) or 4...20 mA (selectable via DIP switches, switchpoint can be adjusted from 0...100 % of the output signal)
Measuring accuracy, VOC:	typically ± 20 % of final value (referred to calibrating gas)
Service life:	> 60 months (under normal load conditions) depending on the type of loading and gas concentration

CARBON DIOXIDE (CO2)

Sensor, CO2:	optical NDIR sensor (non-dispersive infra-red technology), with manual calibration (via zero button), Axx-SD with automatic calibration (fixed) Axx-W with automatic calibration (can be deactivated via DIP switches)
Measuring range, CO2:	0...2000 ppm or 0...5000 ppm (selectable via DIP switches)
Output, CO2:	Axx-SD 0-10V (fixed) Axx-W 0-10V or 4...20 mA (selectable via DIP switches)
Measuring accuracy, CO2:	typically ± 30 ppm ± 3 % of measured value
Temperature dependence, CO2:	± 5 ppm / °C or ± 0.5 % of measured value / °C (whichever is higher)

continued on next page!



S+S REGELTECHNIK

AERASGARD® ACO₂-W / ALQ-CO₂-W AERASGARD® AFTM-(LQ)-CO₂-W / ATM-CO₂-SD

Multifunctional on-wall sensors and measuring transducers,
for humidity, temperature, CO₂ content and air quality (VOC),
calibratable, with active/switching output



Dimensional drawing

AFTM-LQ-CO₂-W

126
50
90
112
20
4
~137
M16x1.5
~35
ø16
112
20
4
~134
M16x1.5
~32
ø16

M12 connector
(optional on request)

SF-K
plastic sinter filter
(standard)

SF-M
metal sinter filter
(optional)

AFTM-LQ-CO₂-W
with plastic sinter filter
(standard)

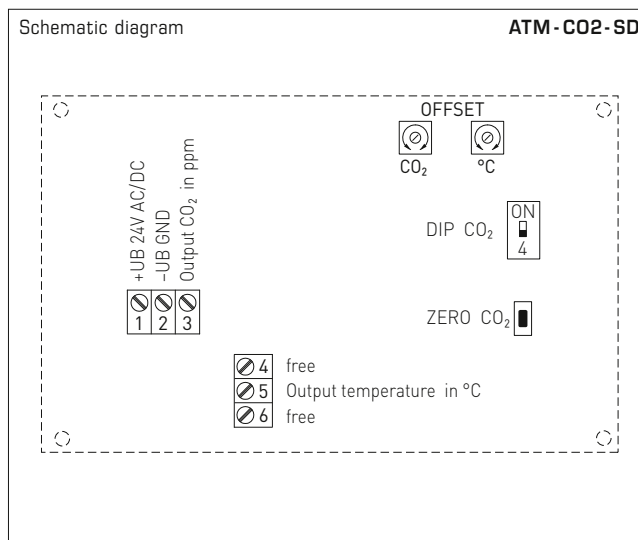
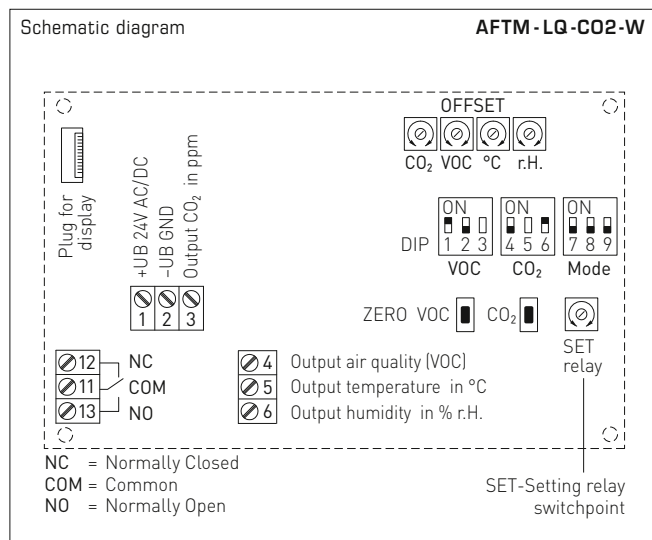


AFTM-LQ-CO₂-W
with display and
plastic sinter filter
(standard)



TECHNICAL DATA		(continued)
Pressure dependence:	± 0.13 % / mm Hg	
Long-term stability:	< 2% in 15 years	
Gas exchange:	by diffusion	
Ambient temperature:	-10...+60 °C	
Response time:	< 2 minutes	
Electrical connection:	0.14 - 1.5 mm ² , via screw terminals	
Housing:	plastic, UV-resistant, material polyamide, 30 % glass-globe reinforced, with quick-locking screws (slotted / Phillips head combination), colour traffic white (similar to RAL 9016), housing cover for display is transparent!	
Housing dimensions:	126 x 90 x 50 mm (Tyr 2)	
Cable connection:	cable gland , plastic (M 16 x 1.5; with strain relief, exchangeable, max. inner diameter 10.4 mm) or M12 connector according to DIN EN 61076-2-101 (optional on request)	
Protective tube:	stainless steel V2A (1.4301), Ø 16 mm, NL = 55 mm	
Process connection:	by screws	
Protection class:	III (according to EN 60 730)	
Protection type:	IP 65 (according to EN 60 529)	
Standards:	CE conformity, electromagnetic compatibility according to EN 61 326, EMC Directive 2014/30/EU	
Optional:	three-line display with illumination , cutout approx. 70 x 40 mm (W x H), for displaying actual humidity, actual temperature, air quality and/or the actual CO ₂ content	

Multifunctional on-wall sensors and measuring transducers,
 for humidity, temperature, CO2 content and air quality (VOC),
 calibratable, with active/switching output



DIP switches	AFTM - LQ - CO2 - W	
VOC sensitivity	DIP 1	DIP 2
LOW	OFF	OFF
MEDIUM (default)	ON	OFF
HIGH	OFF	ON
IAQ (Indoor Air Quality)	ON	ON
CO2 content	DIP 4	
0...2000 ppm (default)	OFF	
0...5000 ppm	ON	
CO2 automatic zero point	DIP 6	
deactivated	OFF	
activated (default)	ON	
Relay assignment	DIP 7	DIP 8
CO2 (default): 600...1900 ppm / 900...4700 ppm	OFF	OFF
VOC: 10...95%	ON	OFF
Temperature: -23...+74 °C	OFF	ON
Humidity: 10...95% RH	ON	ON
Output	DIP 9	
Voltage 0-10V (default)	OFF	
Current 4...20mA	ON	
Note: DIP 3 and DIP 5 are not assigned!		

DIP switches	ATM - CO2 - SD	
CO2 content	DIP 4	
0...2000 ppm (default)	OFF	
0...5000 ppm	ON	

Level	IAQ (Indoor Air Quality)	VOC
1	excellent no action required	0...19%
2	good prompt airing recommended	20...39%
3	moderate airing recommended	40...59%
4	poor increased airing required	60...79%
5	unhealthy intense airing necessary	80...100%

Table according to TVOC guidelines of the German Federal Environmental Agency to assess indoor air contamination
 (Bundesgesundheitsbl - Gesundheitsforsch - Gesundheitsschutz 2007, 50: 990-1005)



S+S REGELTECHNIK

AERASGARD® ACO₂-W / ALQ-CO₂-W
 AERASGARD® AFTM-(LQ)-CO₂-W / ATM-CO₂-SD

Multifunctional on-wall sensors and measuring transducers,
 for humidity, temperature, CO₂ content and air quality (VOC),
 calibratable, with active/switching output



AFTM-LQ-CO₂-W
 with display



Humidity table

MR: 0...100% RH

% RH	U _A [V]	I _A [mA]
0	0	4.0
5	0.5	4.8
10	1.0	5.6
15	1.5	6.4
20	2.0	7.2
25	2.5	8.0
30	3.0	8.8
35	3.5	9.6
40	4.0	10.4
45	4.5	11.2
50	5.0	12.0
55	5.5	12.8

Continued at the right ...

Temperature table

MR: -35...+80 °C

°C	U _A [V]	I _A [mA]
-35	0.0	4.0
-30	0.4	4.7
-25	0.9	5.4
-20	1.3	6.1
-15	1.7	6.8
-10	2.2	7.5
-5	2.6	8.2
0	3.0	8.9
+5	3.5	9.6
+10	3.9	10.3
+15	4.3	11.0
+20	4.8	11.7

Continued at the right ...

°C	U _A [V]	I _A [mA]
+25	5.2	12.3
+30	5.7	13.0
+35	6.1	13.7
+40	6.5	14.4
+45	7.0	15.1
+50	7.4	15.8
+55	7.8	16.5
+60	8.3	17.2
+65	8.7	17.9
+70	9.1	18.6
+75	9.6	19.3
+80	10.0	20.0

AERASGARD® AC02-W / ALQ-CO2-W
AERASGARD® AFTM-(LQ)-CO2-W / ATM-CO2-SD

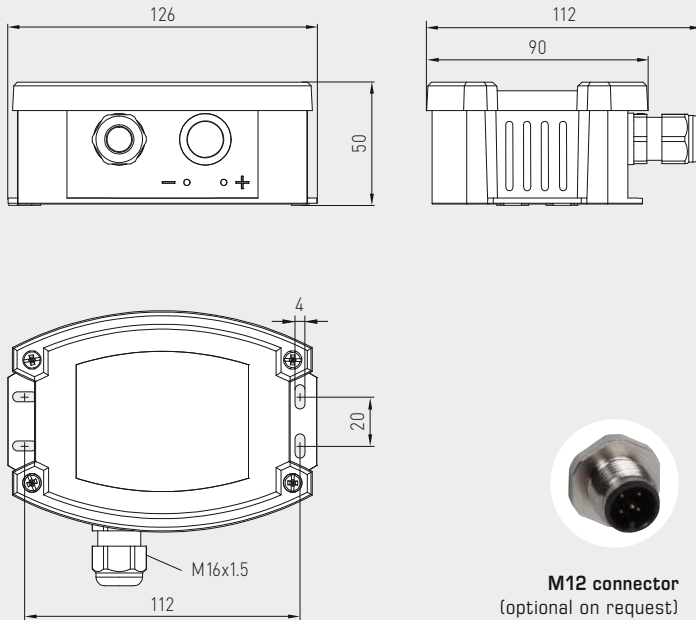


Multifunctional on-wall sensors and measuring transducers,
 for humidity, temperature, CO2 content and air quality (VOC),
 calibratable, with active/switching output

S+S REGELTECHNIK

Dimensional drawing

AC02-W
 ALQ-CO2-W

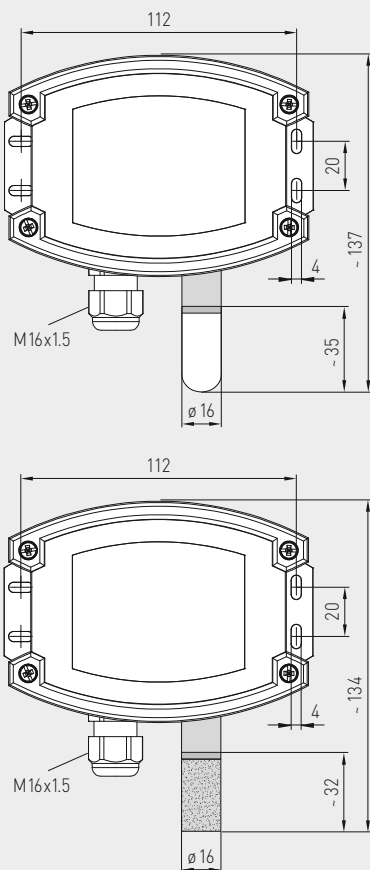


AC02-W
 ALQ-CO2-W



Dimensional drawing

AFTM-CO2-W
 AFTM-LQ-CO2-W
 ATM-CO2-SD



AFTM-CO2-W
 AFTM-LQ-CO2-W
 ATM-CO2-SD
 with metal sinter filter
 (optional)





S+S REGELTECHNIK

AERASGARD® ACO2-W / ALQ-CO2-W AERASGARD® AFTM-(LQ)-CO2-W / ATM-CO2-SD

Multifunctional on-wall sensors and measuring transducers,
for humidity, temperature, CO2 content and air quality (VOC),
calibratable, with active/switching output



WS-03

Weather and sun protection hood
(optional)



AFTM-CO2-W
AFTM-LQ-CO2-W
ATM-CO2-SD
with plastic sinter filter
(standard)



AERASGARD® ATM-CO2-SD	On-wall temperature and CO2 sensor, <i>Standard</i>
AERASGARD® ACO2-W	On-wall CO2 sensor, <i>Premium</i>
AERASGARD® ALQ-CO2-W	On-wall air quality (VOC) and CO2 sensor, <i>Premium</i>
AERASGARD® AFTM-CO2-W	Multifunctional on-wall sensor for humidity, temperature and CO2 content, <i>Deluxe</i>
AERASGARD® AFTM-LQ-CO2-W	Multifunctional on-wall sensor for humidity, temperature, CO2 content and air quality (VOC), <i>Deluxe</i>

Typ/WG02	Measuring Range				Equipment Display	Item No. (Baldur 2)	Price
	Humidity	Temperature	CO2	VOC			
ATM-CO2-SD			(switchable)				
ATM-CO2-SD-U	-	-35...+80 °C	0...2000 / 5000 ppm	-	-	1501-7112-1001-200	320,98 €
ACO2-W			(switchable)				
ACO2-W (without display)	-	-	0...2000 / 5000 ppm	-	W	see ACO2-W / ACO2-SD	
ACO2-W LCD	-	-	0...2000 / 5000 ppm	-	W ■	1501-7110-7371-200	423,79 €
ALQ-CO2-W			(switchable)				
ALQ-CO2-W	-	-	0...2000 / 5000 ppm	0...100 %	W	1501-7111-7301-500	482,51 €
ALQ-CO2-W LCD	-	-	0...2000 / 5000 ppm	0...100 %	W ■	1501-7111-7371-500	544,74 €
AFTM-CO2-W			(switchable)				
AFTM-CO2-W	0...100 % RH	-35...+80 °C	0...2000 / 5000 ppm	-	W	1501-7116-7301-200	463,41 €
AFTM-CO2-W LCD	0...100 % RH	-35...+80 °C	0...2000 / 5000 ppm	-	W ■	1501-7116-7371-200	556,09 €
AFTM-LQ-CO2-W			(switchable)				
AFTM-LQ-CO2-W	0...100 % RH	-35...+80 °C	0...2000 / 5000 ppm	0...100 %	W	1501-7118-7301-500	606,86 €
AFTM-LQ-CO2-W LCD	0...100 % RH	-35...+80 °C	0...2000 / 5000 ppm	0...100 %	W ■	1501-7118-7371-500	726,42 €
Outputs:	0-10V or 4...20 mA (selectable via DIP switches, selected variant applies for all outputs) – <i>Standard</i> on-wall sensor ATM-CO2-SD with fixed output 0-10V!						
Equipment:	W = changeover contact – <i>Standard</i> on-wall sensor ATM-CO2-SD without changeover contact!						
Optional:	Cable connection with M12 connector according to DIN EN 61076-2-101 (on request)						
Note:	This unit must not be used as safety-relevant device!						
ACCESSORIES							
SF-M	Metal sinter filter, Ø 16 mm, L = 32 mm, exchangeable stainless steel V4A (1.4404)					7000-0050-2200-100	43,60 €
WS-03	Weather and sun protection hood , 200 x 180 x 150 mm, stainless steel V2A (1.4301)					7100-0040-6000-000	46,08 €

For further information see last chapter!

**Fine dust sensor / particulate sensor,
on-wall sensor and measuring transducer, with multi-range switching
and active output**

Maintenance-free on-wall sensor **AERASGARD® APS-SD** with active output, in an impact-resistant plastic housing with quick-locking screws, for measuring the fine-dust content (0...500 µg/m³). The measuring transducer converts the measured values into a standard signal of 0-10V.

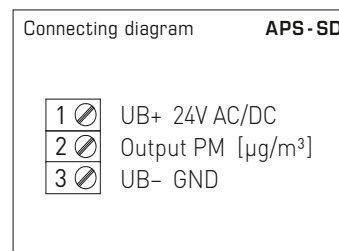
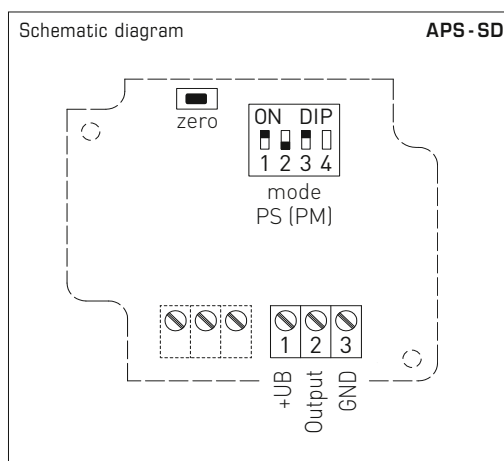
The sensor is used in offices, hotels, convention centres, apartments, shops, etc. and is used for evaluation of the indoor climate. This enables energy-saving, demand-based room ventilation, thereby reducing operating costs and improving well-being. One sensor for every 30m² of room area is recommended.

An optical **fine dust sensor** precisely detects **particulate (PM)** of the size category 0.3 to 10 micrometres. The sensor is factory-calibrated.

TECHNICAL DATA

Power supply:	24 V AC / DC (± 10%)
Power consumption:	typical < 1.5 W / 24 V DC; < 2.9 VA / 24 V AC
Output:	0-10 V (fixed)
FINE DUST (PM)	
Sensor (PM):	optical particulate sensor (PM = particulate matter), fine-dust sensor with laser- and soiling-resistant technology
Measuring range:	multi-range switching (selectable via DIP switches) 0...50, 0...100, 0...300 or 0...500 µg/m³
Particle size:	PM 2.5 (0.3...2.5 µm); PM 10 (0.3...10 µm)
Measuring accuracy:	typical ± 10 µg/m³ (± 10% of the measured value) for PM 2.5 typical ± 25 µg/m³ (± 25% of the measured value) for PM 10
Long-term stability:	± 1.25 µg/m³ (± 1.25% of measured value/year)
Service life:	> 10 years
Response time:	< 2 minutes
Warm-up time:	approx. 1 hour
Ambient temperature:	0...+50 °C
Permitted humidity:	0...95% RH (non-precipitating air)
Housing:	plastic, UV-resistant, polyamide material, 30% glass-globe reinforced, with quick-locking screws (slotted/Phillips head combination) colour traffic white (similar to RAL 9016)
Housing dimensions:	126 x 90 x 50 mm (Tyr 2)
Cable connection:	cable gland plastic (M 16 x 1.5; with strain relief, exchangeable, max. inner diameter 10.4 mm) or M12 connector according to DIN EN 61076-2-101 (optional on request)
Electrical connection:	0.14–1.5 mm², via screw terminals
Process connection:	via screws
Protection class:	III (according to EN 60 730)
Safety class:	IP 30 (according to EN 60 529)
Standards:	CE-conformity, electromagnetic compatibility according to EN 61 326, EMC Directive 2014 / 30 / EU

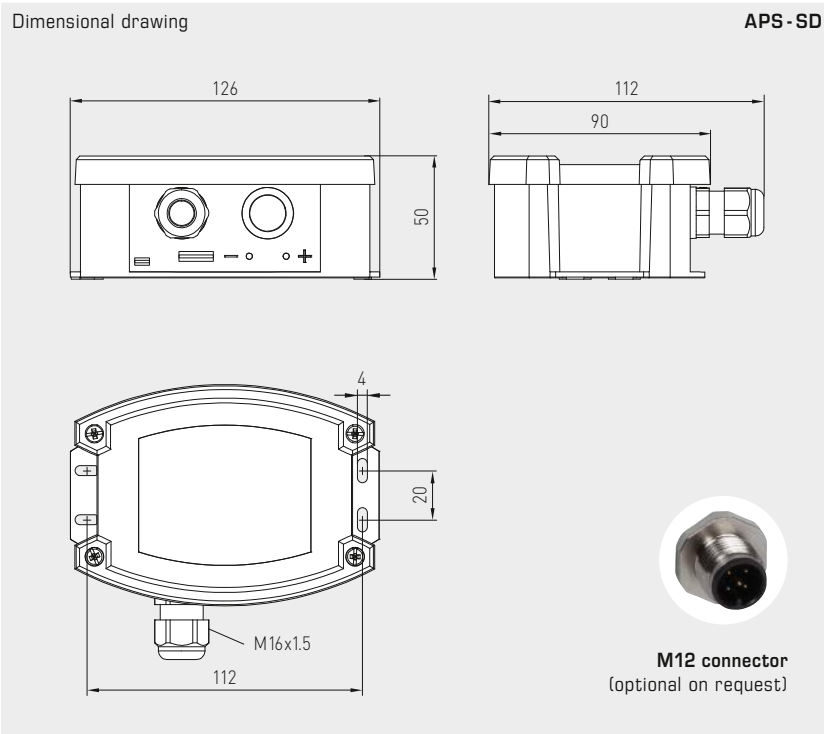
DIP switch	APS-SD	
Fine dust (PM) Measuring range	DIP 1	DIP 2
0...50 µg/m³	OFF	OFF
0...100 µg/m³ (default)	ON	OFF
0...300 µg/m³	OFF	ON
0...500 µg/m³	ON	ON
Fine dust (PM) Particle size	DIP 3	
PM 2.5 (default)	ON	
PM 10	OFF	
Note:	DIP 4 is not assigned !	





S+S REGELTECHNIK

Fine dust sensor / particulate sensor,
on-wall sensor and measuring transducer, with multi-range switching
and active output



APS-SD



AERASGARD® APS-SD					
On-wall fine dust sensor / fine dust sensor / particulate sensor (PM), Standard					
Type / WG02	Measuring Range	Particle size	Output	Item No.	Price
APS-SD	(switchable)	(switchable)			
APS-SD-U	0... 50 µg/m³ 0... 100 µg/m³ 0... 300 µg/m³ 0... 500 µg/m³	PM 2.5 PM 10	0-10V	1501-7130-1001-000	425,98 €
Optional:	Cable connection with M12 connector according to DIN EN 61076-2-101 (on request)				
Note:	This unit must not be used as safety-relevant device!				



Duct air quality sensors (VOC) and measuring transducers, including installation flange, self-calibrating, with multi-range switching and active/switching output

Patented quality product (patent no. DE 10 2014 010 719.1)

Maintenance-free duct sensor **AERASGARD® KLQ-SD** with active output, automatic calibration, in a compact plastic housing with quick-locking screws, for determining the air quality (0...100% VOC). The measuring transducer converts the measured values into a standard signal of 0-10V.

Maintenance-free duct sensor **AERASGARD® KLQ-W** with active/switching output, automatic calibration, in a compact plastic housing with quick-locking screws, for determining the air quality (0...100% VOC). The measuring transducer converts the measured values into a standard signal of 0-10V or 4...20mA (switchable).

The sensor is used in offices, hotels, convention centres, apartments, shops, etc. for the purpose of evaluating the indoor climate. This enables energy-saving room ventilation on an as-needed basis, thereby reducing operating costs and improving well-being.

The air quality is detected by a **VOC sensor** (mixed gas sensor for volatile organic substances). This sensor determines the loading of the room air due to contaminated gases such as cigarette smoke, body perspiration, exhaled breathing air, solvent vapours, emissions etc. With regard to the expected air contamination, low, medium or high VOC sensitivity can be selected. As an alternative, use IAQ categories (from excellent to unhealthy) following the guidelines of the German Federal Environmental Agency to assess the room air.

For more information, see start of chapter.



TECHNICAL DATA

Power supply:	24 V AC / DC (± 10 %)
Power consumption:	< 1.5 W / 24 V DC typical; < 2.9 VA / 24 V AC typical
Sensor:	VOC sensor (metal oxide) (VOC = volatile organic compounds), with manual calibration (via zero button), with automatic calibration (permanently active)
Measuring range:	0...100% air quality; referred to calibrating gas; multi-range switching (selectable via DIP switches) VOC sensitivities (low/medium/high) or IAQ category (Indoor Air Quality)
Output:	(0V = clean air, 10V = polluted air) KLQ-SD 0-10V (fixed) KLQ-W 0-10V or 4...20mA, working resistance < 800 Ω (selectable via DIP switches), with offset potentiometer (± 10 % of the measuring range)
Relay output:	KLQ-SD without changeover contact KLQ-W with potential-free changeover contact (24V/1A), switchpoint adjustable
Measuring accuracy:	typically ± 20 % of final value (referred to calibrating gas)
Service life:	> 60 months (under normal load conditions), depending on the type of loading and gas concentration
Gas exchange:	by diffusion
Warm-up time:	approx. 1 hour
Response time:	approx. 1 minute, minimum flow rate 0.3m/s (air)
Ambient temperature:	-10...+60 °C
Electrical connection:	0.14 - 1.5 mm ² , via terminals
Housing:	plastic, UV-resistant, material polyamide, 30 % glass-globe reinforced, with quick-locking screws (slotted / Phillips head combination), colour traffic white (similar to RAL 9016), housing cover for display is transparent!
Housing dimensions:	72 x 64 x 37.8 mm (Tyr 1 without display)
Cable connection:	cable gland , plastic (M 16 x 1.5; with strain relief, exchangeable, max. inner diameter 10.4 mm) or M12 connector according to DIN EN 61076-2-101 (optional on request)
Protective tube:	PLEUROFORM™ , material polyamide (PA6), with torsion protection, Ø 20 mm, NL = 202.5 mm (optionally 100 mm), v _{max} = 30 m/s (air)
Process connection:	by mounting flange, plastic (included in the scope of delivery)
Protection class:	III (according to EN 60 730)
Protection type:	IP65 (according to EN 60 529)* Housing tested, TÜV SÜD, Report No. 713139052 (Tyr 1) * Housing in the built-in state (permeable PLEUROFORM: IP30)
Standards:	CE conformity, electromagnetic compatibility according to EN 61 326, EMC Directive 2014 / 30 / EU
ACCESSORIES	see last chapter

MFT-20-K
Mounting flange,
plastic

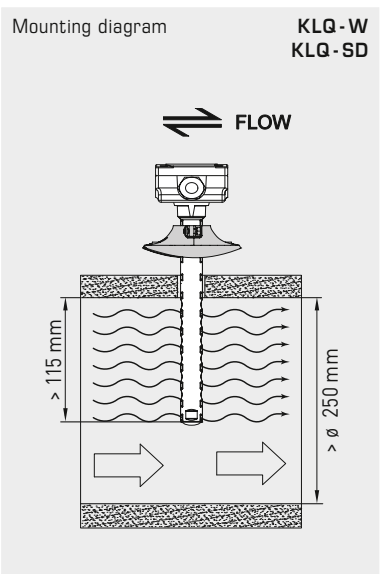
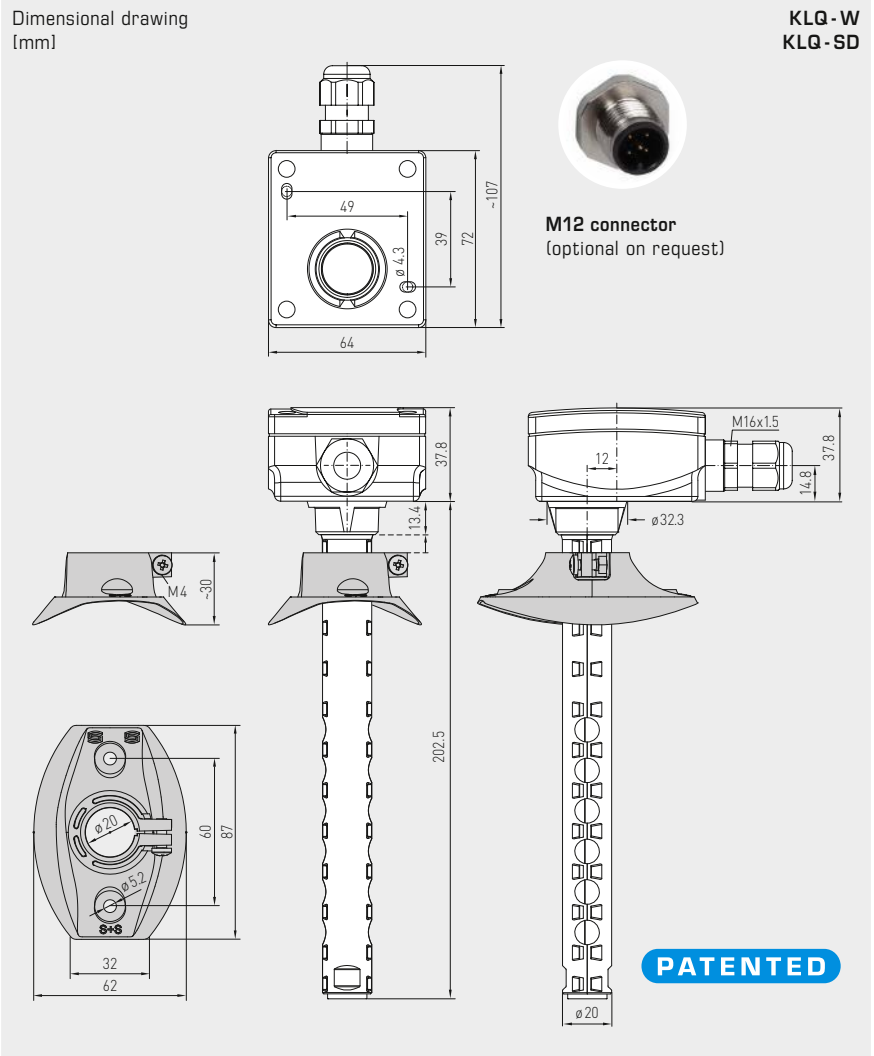




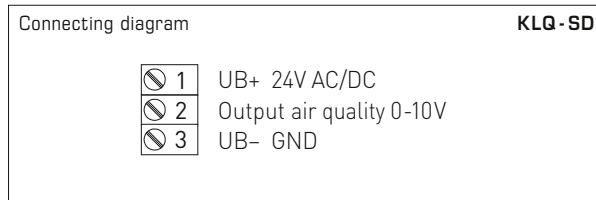
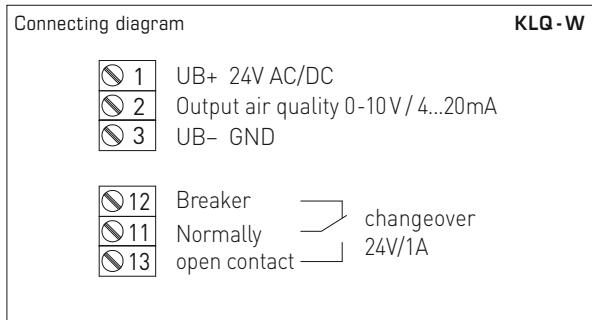
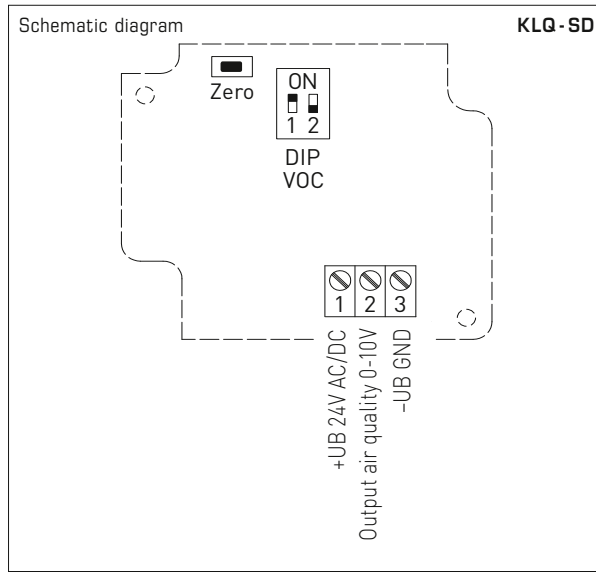
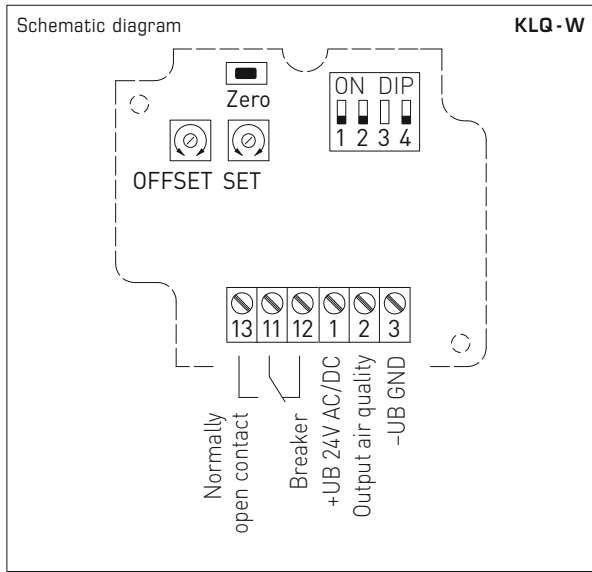
S+S REGELTECHNIK

AERASGARD® KLQ-W
AERASGARD® KLQ-SD

Duct air quality sensors (VOC) and measuring transducers,
including installation flange, self-calibrating, with multi-range switching
and active/switching output



Duct air quality sensors (VOC) and measuring transducers, including installation flange, self-calibrating, with multi-range switching and active/switching output



DIP switches			KLQ-W	
VOC sensitivity	DIP 1	DIP 2		
LOW	OFF	OFF		
MEDIUM (default)	ON	OFF		
HIGH	OFF	ON		
IAQ (Indoor Air Quality)	ON	ON		
Output	DIP 4			
Voltage 0-10V (default)	OFF			
Current 4...20 mA	ON			
Note: DIP 3 is not assigned!				

DIP switches			KLQ-SD	
VOC sensitivity	DIP 1	DIP 2		
LOW	OFF	OFF		
MEDIUM (default)	ON	OFF		
HIGH	OFF	ON		
IAQ (Indoor Air Quality)	ON	ON		

Level	IAQ (Indoor Air Quality)	VOC
1	excellent no action required	0...19%
2	good prompt airing recommended	20...39%
3	moderate airing recommended	40...59%
4	poor increased airing required	60...79%
5	unhealthy intense airing necessary	80...100%

Table according to TVOC guidelines of the German Federal Environmental Agency to assess indoor air contamination (Bundesgesundheitsbl – Gesundheitsforsch – Gesundheitsschutz 2007, 50: 990–1005)



S+S REGELTECHNIK

AERASGARD® KLQ-W
AERASGARD® KLQ-SD

Duct air quality sensors (VOC) and measuring transducers,
including installation flange, self-calibrating, with multi-range switching
and active/switching output

KLQ-W
Circuit board



AERASGARD® KLQ-SD Duct air quality sensor and measuring transducer, *Standard*
AERASGARD® KLQ-W Duct air quality sensor and measuring transducer, *Premium*

Type / WG02	Measuring Range VOC	Output VOC	Equipment	Item No.	Price
KLQ-SD		(fixed)		IP 65	
KLQ-SD-U	0...100%	0-10V	-	1501-3170-1001-500	218,89 €
KLQ-W		(switchable)		IP 65	
KLQ-W	0...100%	0-10V / 4...20mA	changeover contact	1501-3150-7301-500	228,48 €
Optional:	Cable connection with M12 connector according to DIN EN 61076-2-101 shortened protective tube PLEUROFORM™ , NL = 100 mm			on request on request	
Note:	This unit must not be used as safety-relevant device!				

Duct CO₂ sensors and measuring transducers,
incl. mounting flange, self-calibrating, with multi-range switching
and active / switching output

Patented quality product (patent no. DE 10 2014 010 719.1)

Maintenance-free duct sensor **AERASGARD® KCO2-SD** with active output, automatic calibration (fixed), in a compact plastic housing with quick-locking screws, for determining the CO₂ content of the air (0...2000 ppm/0...5000 ppm). The measuring transducer converts the measured values into a standard signal of 0-10V.

Maintenance-free duct sensor **AERASGARD® KCO2-W** with active/switching output, automatic calibration (can be deactivated), in a compact plastic housing with quick-locking screws, optionally with/without display, for determining the CO₂ content of the air (0...2000 ppm/0...5000 ppm). The measuring transducer converts the measured values into a standard signal of 0-10V or 4...20 mA (switchable).

The CO₂ sensor is used in offices, hotels, convention centres, apartments, shops, etc. for the purpose of evaluating the indoor climate. This enables energy-saving room ventilation on an as-needed basis, thereby reducing operating costs and improving well-being. One sensor for every 30 m² of room area is recommended.

The CO₂ measurement is performed using an optical **NDIR sensor** (non-dispersive infra-red technology). The detection range is calibrated for standard applications such as monitoring residential rooms and conference rooms.

For more information, see start of chapter.

TECHNICAL DATA

Power supply:	24 V AC / DC (± 10%)
Power consumption:	< 1.5 W / 24 V DC typical; < 2.9 VA / 24 V AC typical; Peak current 200 mA
Sensor:	optical NDIR sensor (non-dispersive infra-red technology), with manual calibration (via zero button), KCO2-SD with automatic calibration (fixed) KCO2-W with automatic calibration (can be deactivated via DIP switches)
Measuring range:	Multi-range switching (selectable via DIP switches) 0...2000 ppm; 0...5000 ppm
Output:	KCO2-SD 0-10 V (fixed) KCO2-W 0-10 V or 4...20 mA, working resistance < 800 Ω (selectable via DIP switches), with offset potentiometer (± 10% of the measuring range)
Relay output:	KCO2-SD without changeover contact KCO2-W with potential-free changeover contact (24 V / 1 A), switchpoint adjustable
Measuring accuracy:	typically ± 30 ppm ± 3% of measured value
Temperature dependence:	± 5 ppm per °C or ± 0.5% of measured value per °C (whichever is higher)
Pressure dependence:	± 0.13% per mm Hg
Long-term stability:	< 2% in 15 years
Gas exchange:	by diffusion
Warm up time:	approx. 1 hour
Ambient temperature:	-10...+60 °C
Response time:	approx. 1 minute, minimum flow rate 0.3 m/s (air)
Electrical connection:	0.14 - 1.5 mm ² , via screw terminals
Housing:	plastic, UV-resistant, material polyamide, 30% glass-globe reinforced, with quick-locking screws (slotted / Phillips head combination), colour traffic white (similar to RAL 9016), housing cover for display is transparent!
Housing dimensions:	72 x 64 x 37.8 mm (Tyr 1 without display) 72 x 64 x 43.3 mm (Tyr 1 with display)
Cable connection:	cable gland , plastic (M 16 x 1.5; with strain relief, exchangeable, max. inner diameter 10.4 mm) or M12 connector according to DIN EN 61076-2-101 (optional on request)
Protective tube:	PLEUROFORM™ , material polyamide (PA6), with torsion protection, Ø 20 mm, NL = 202.5 mm, (optionally 100 mm), v _{max} = 30 m/s (air)
Process connection:	via flange made of plastic (included in scope of delivery)
Protection class:	III (according to EN 60 730)
Protection type:	IP65 (according to EN 60 529)* Housing tested, TÜV SÜD, Report No. 713139052 (Tyr 1) * Housing in the built-in state (permeable PLEUROFORM: IP 30)
Standards:	CE conformity, electromagnetic compatibility according to EN 61 326, EMC Directive 2014 / 30 / EU
Optional:	display with illumination , two line, cutout approx. 36 x 15 mm (W x H), for displaying the Actual CO₂ content and for setting the switchpoint
ACCESSORIES	see last chapter

MFT-20-K
Mounting flange,
plastic





S+S REGELTECHNIK

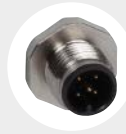
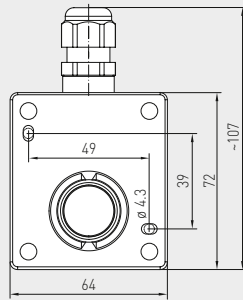
AERASGARD® **KCO2-W**
AERASGARD® **KCO2-SD**

Duct CO2 sensors and measuring transducers,
incl. mounting flange, self-calibrating, with multi-range switching
and active / switching output



Dimensional drawing
(mm)

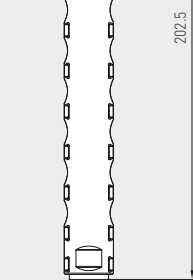
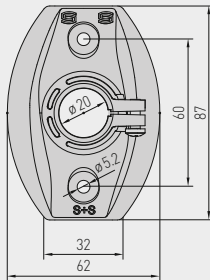
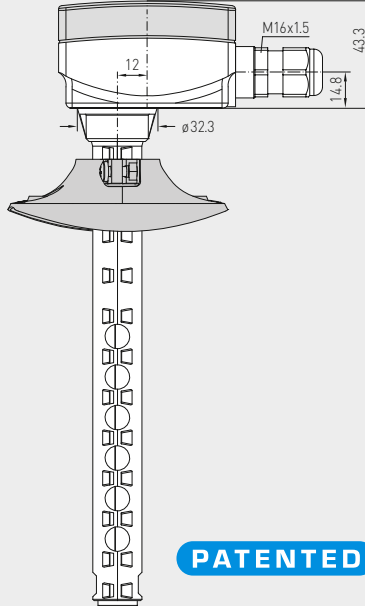
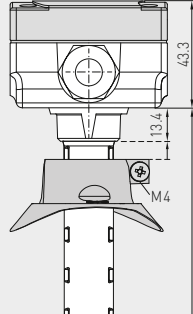
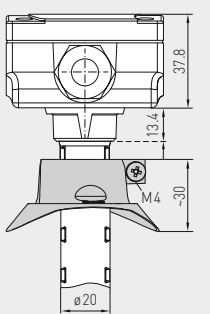
KCO2 - W
KCO2 - SD



M12 connector
(optional on request)

without display

with display



PATENTED

KCO2 - W
KCO2 - SD
with quick-locking
screws (IP65)

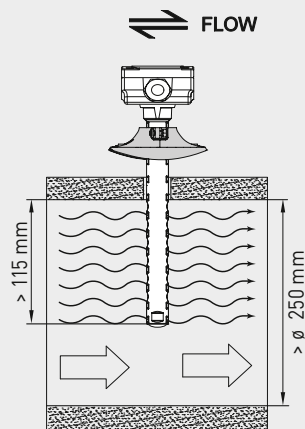


KCO2 - W
with quick-locking
screws and
display (IP65)

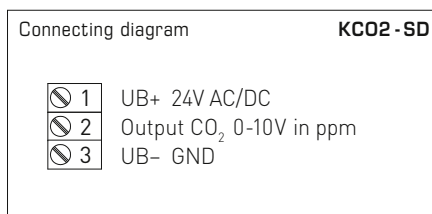
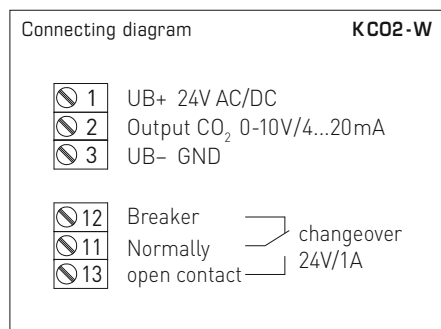
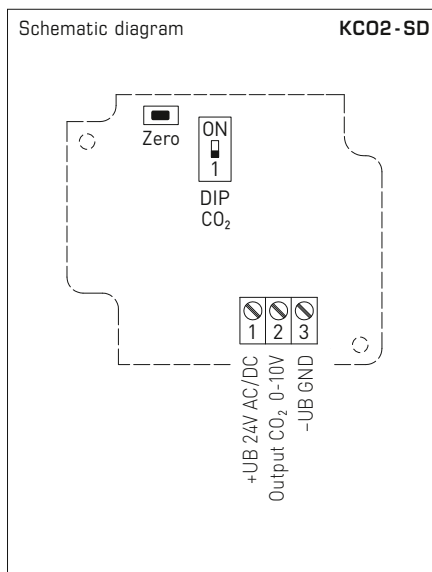
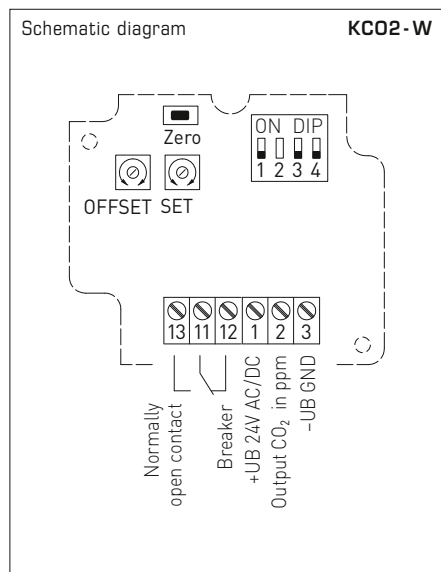


Mounting diagram

KCO2 - W
KCO2 - SD



Duct CO₂ sensors and measuring transducers,
 incl. mounting flange, self-calibrating, with multi-range switching
 and active / switching output



DIP switch		KCO2-W
CO₂ content	DIP 1	
0...2000 ppm (default)		OFF
0...5000 ppm		ON
CO₂ automatic zero point	DIP 3	
deactivated		OFF
activated (default)		ON
Output	DIP 4	
Voltage 0-10V (default)		OFF
Current 4...20 mA		ON
Note: DIP 2 is not assigned!		

DIP switch		KCO2-SD
CO₂ content	DIP 1	
0...2000 ppm (default)		OFF
0...5000 ppm		ON



S+S REGELTECHNIK

AERASGARD® **KCO2-W**
AERASGARD® **KCO2-SD**

Duct CO2 sensors and measuring transducers,
incl. mounting flange, self-calibrating, with multi-range switching
and active/switching output



KCO2-W
with display



AERASGARD® **KCO2-SD** Duct CO2 sensors and measuring transducers, *Standard*
AERASGARD® **KCO2-W** Duct CO2 sensors and measuring transducers, *Premium*

Type/WG02	Measuring Range CO2	Output CO2	Equipment	Display	Item No.	Price
KCO2-SD	(switchable)	(fixed)			IP 65	
KCO2-SD-U	0...2000 ppm / 0...5000 ppm	0-10 V	-		1501-3160-1001-200	246,49 €
KCO2-W	(switchable)	(switchable)			IP 65	
KCO2-W	0...2000 ppm / 0...5000 ppm	0-10 V / 4...20 mA	changeover contact		1501-3140-7301-200	299,49 €
KCO2-W LCD	0...2000 ppm / 0...5000 ppm	0-10 V / 4...20 mA	changeover contact, display	■	1501-3140-7321-200	351,18 €
Optional:	Cable connection with M12 connector according to DIN EN 61076-2-101 shortened protective tube PLEUROFORM™ , NL = 100 mm				on request on request	
Note:	This unit must not be used as safety-relevant device!					

Multifunctional duct sensors and measuring transducers incl. mounting flange, for humidity, temperature, CO2 content and air quality (VOC), calibratable, with active/switching output

Patented quality product (patent no. DE 10 2014 010 719.1)

Maintenance-free duct sensor **AERASGARD® KTM-CO2-SD** with active output, automatic calibration, in an impact-resistant plastic housing with quick-locking screws, for determining the CO2 content of the air (0...2000 ppm/0...5000 ppm) and the temperature (-35...+80 °C). The measuring transducer converts the measured values into a standard signal of 0-10V.

Maintenance-free duct sensor **AERASGARD® KFTM-LQ-CO2-W** with active/switching output, automatic calibration, in an impact-resistant plastic housing with quick-locking screws, optionally with/without Display, for determining the CO2 content of the air (0...2000 ppm/0...5000 ppm), the quality (0...100% VOC), the temperature (-35...+80 °C) as well as the relative air humidity (0...100% RH). The measuring transducer converts the measured values into a standard signal of 0-10V or 4...20mA (switchable).

The sensor is used in offices, hotels, convention centres, apartments, shops, etc. for the purpose of evaluating the indoor climate. This enables energy-saving room ventilation on an as-needed basis, thereby reducing operating costs and improving well-being. One sensor for every 30 m² of room area is recommended.

A long-term stable, **digital humidity and temperature sensor** guarantees exact measurement results. The CO2 measurement is performed using an optical **NDIR sensor** (non-dispersive infra-red technology). The detection range is calibrated for standard applications such as monitoring residential rooms and conference rooms. The air quality is detected by a **VOC sensor** (mixed gas sensor for volatile organic substances). This sensor determines the loading of the room air due to contaminated gases such as cigarette smoke, body perspiration, exhaled breathing air, solvent vapours, emissions etc. With regard to the expected air contamination, low, medium or high VOC sensitivity can be selected. As an alternative, use IAQ categories (from excellent to unhealthy) following the guidelines of the German Federal Environmental Agency to assess the room air.

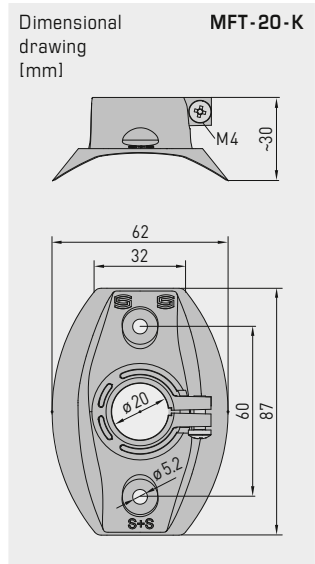
SF-K
Plastic sinter filter (standard)



SF-M
Metal sinter filter (optional)



MFT-20-K
Mounting flange, plastic



TECHNICAL DATA

Voltage supply:	24 V AC / DC (± 10 %)
Power consumption:	< 4.8 W / 24 V DC typical; < 6.8 VA / 24 V AC typical; peak current 200 mA
Outputs:	KTM-CO2-SD 0-10 V (fixed) Kxx-CO2-W 0-10 V or 4...20 mA, working resistance < 800 Ω (selectable via DIP switches, selected variant applies for all outputs), with offset potentiometer (± 10 % of the measuring range)
Relay output:	KTM-CO2-SD without changeover contact Kxx-CO2-W with potential-free changeover contact (24 V / 1 A) (assignment selectable via DIP switches, switchpoint adjustable)

HUMIDITY

Sensors:	digital humidity sensor with integrated temperature sensor , low hysteresis, high long-term stability
Sensor protection:	plastic sinter filter, Ø 16 mm, L = 35 mm, exchangeable (optional metal sinter filter, Ø 16 mm, L = 32 mm)
Measuring range, humidity:	0...100% RH
Operating range, humidity:	0...95% RH (without dew formation)
Deviation of humidity:	typically ± 2.0% (20...80% RH) at +25 °C, otherwise ± 3.0%
Output, humidity:	0-10 V or 4...20 mA (selectable via DIP switches)

TEMPERATURE

Measuring range, temperature:	-35...+80 °C
Operating range, temperature:	-10...+60 °C
Temperature deviation:	typically ± 0.2 K at +25 °C
Output, temperature:	KTM-CO2-SD 0-10 V (fixed) Kxx-CO2-W 0-10 V or 4...20 mA (selectable via DIP switches)

AIR QUALITY (VOC)

Sensor, VOC:	VOC sensor (metal oxide) (VOC = volatile organic compounds), with manual calibration (using zero button) and automatic calibration (permanently active)
Measuring range, VOC:	0...100% air quality; referred to calibrating gas; multi-range switching (selectable via DIP switches) VOC sensitivities (low/medium/high) or IAQ category (Indoor Air Quality)
Output, VOC:	0-10 V (0 V = clean air, 10 V = polluted air) or 4...20 mA (selectable via DIP switches, switchpoint can be adjusted from 0...100% of the output signal)
Measuring accuracy, VOC:	typically ± 20% of final value (referred to calibrating gas)
Service life:	> 60 months (under normal load conditions) depending on the type of loading and gas concentration

CARBON DIOXIDE (CO2)

Sensor, CO2:	optical NDIR sensor (non-dispersive infra-red technology), with manual calibration (via zero button), KTM-CO2-SD with automatic calibration (fixed) Kxx-CO2-W with automatic calibration (can be deactivated via DIP switches)
Measuring range, CO2:	0...2000 ppm or 0...5000 ppm (selectable via DIP switches)
Output, CO2:	KTM-CO2-SD 0-10 V (fixed) Kxx-CO2-W 0-10 V or 4...20 mA (selectable via DIP switches)
Measuring accuracy, CO2:	typically ± 30 ppm ± 3% of measured value
Temperature dependence, CO2:	± 5 ppm per °C or ± 0.5% of measured value per °C (whichever is higher)

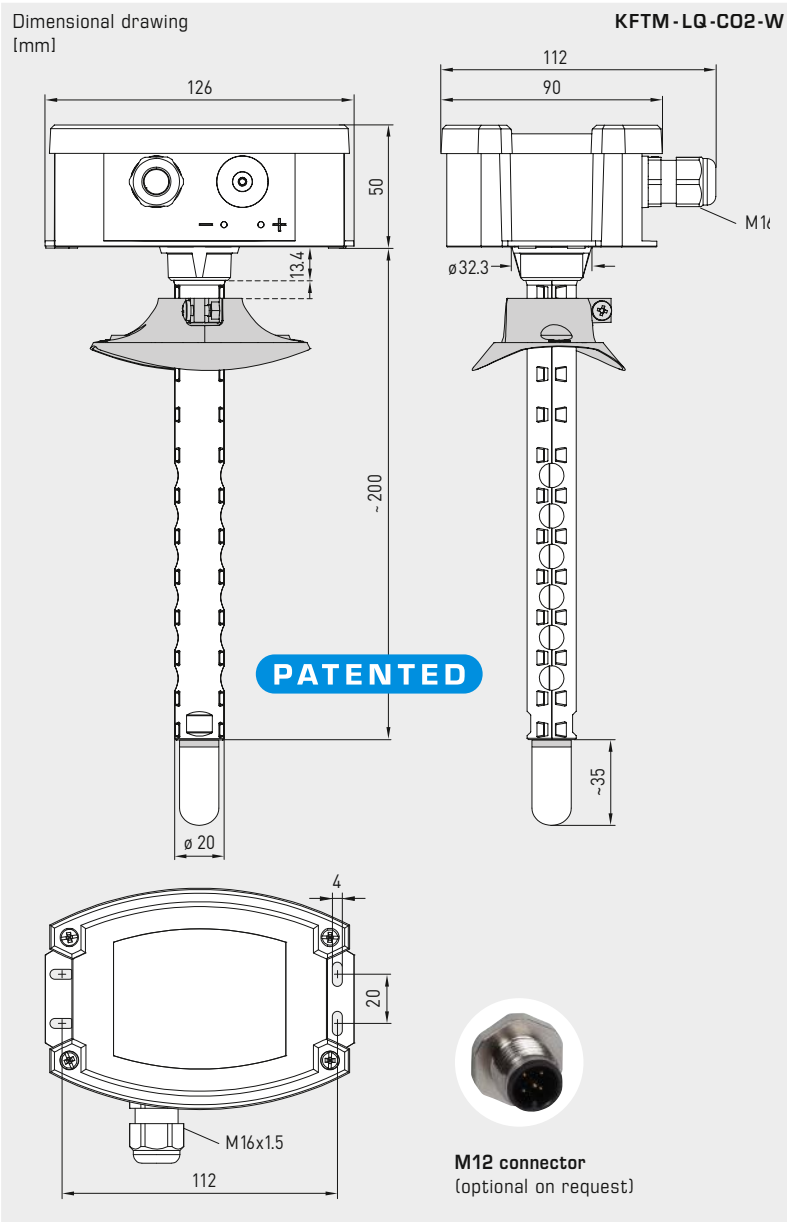
continued on next page!



S+S REGELTECHNIK

AERASGARD® KFTM - (LQ) - CO2 - W / KTM - CO2 - SD

Multifunctional duct sensors and measuring transducers incl. mounting flange, for humidity, temperature, CO2 content and air quality (VOC), calibratable, with active/switching output



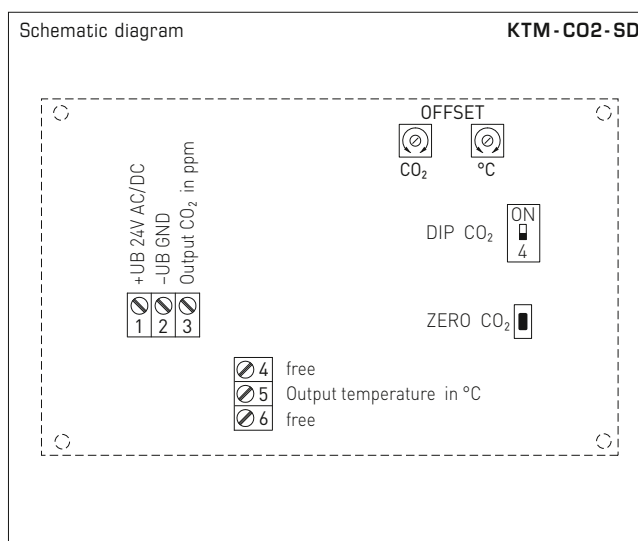
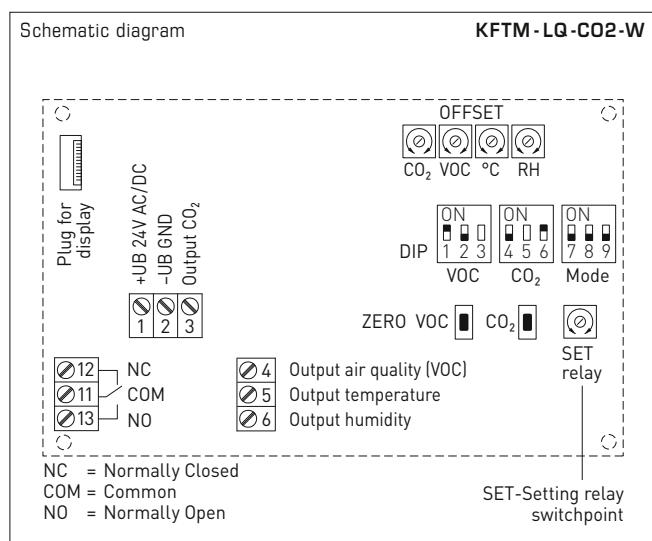
KFTM-LQ-CO2-W
with plastic sinter filter
(standard)



KFTM-LQ-CO2-W
with display and
plastic sinter filter
(standard)

TECHNICAL DATA		(continued)
Pressure dependence:	± 0.13% per mm Hg	
Long-term stability:	< 2% in 15 years	
Gas exchange:	by diffusion	
Response time:	< 2 minutes, minimum flow rate 0.3 m/s (air)	
Ambient temperature:	-10...+60 °C	
Electrical connection:	0.14 - 1.5 mm ² , via screw terminals	
Cable connection:	cable gland , plastic (M 16 x 1.5; with strain relief, exchangeable, max. inner diameter 10.4 mm) or M12 connector according to DIN EN 61076-2-101 (optional on request)	
Housing:	plastic, UV-resistant, material polyamide, 30% glass-globe reinforced, with quick-locking screws (slotted / Phillips head combination), colour traffic white (similar to RAL 9016), housing cover for display is transparent!	
Housing dimensions:	126 x 90 x 50 mm (Tyr 2)	
Protective tube:	PLEUROFORM™ , material polyamide (PA6), with torsion protection, v _{max} = 30 m/s (air) Ø 20 mm, NL = 202.5 mm without filter, NL = 235 mm with plastic filter (optional 100 mm)	
Process connection:	via flange made of plastic (included in scope of delivery)	
Protection class:	III (according to EN 60 730)	
Protection type:	IP 65 (according to EN 60 529) Housing in the built-in state (permeable PLEUROFORM: IP 30)	
Standards:	CE conformity, electromagnetic compatibility according to EN 61 326, EMC Directive 2014/30/EU	
Optional:	three-line display with illumination , cutout approx. 70 x 40 mm (W x H), for displaying actual humidity, actual temperature, air quality and/or the actual CO2 content	

Multifunctional duct sensors and measuring transducers incl. mounting flange,
 for humidity, temperature, CO2 content and air quality (VOC),
 calibratable, with active/switching output



DIP switches	KFTM-LQ-CO2-W	
VOC sensitivity	DIP 1	DIP 2
LOW	OFF	OFF
MEDIUM (default)	ON	OFF
HIGH	OFF	ON
IAQ (Indoor Air Quality)	ON	ON
CO2 content	DIP 4	
0...2000 ppm (default)	OFF	
0...5000 ppm	ON	
CO2 automatic zero point	DIP 6	
deactivated	OFF	
activated (default)	ON	
Relay assignment	DIP 7	DIP 8
CO2 (default): 600...1900 ppm / 900...4700 ppm	OFF	OFF
VOC: 10...95%	ON	OFF
Temperature: -23...+74 °C	OFF	ON
Humidity: 10...95% RH	ON	ON
Output	DIP 9	
Voltage 0-10V (default)	OFF	
Current 4...20 mA	ON	
Note: DIP 3 and DIP 5 are not assigned!		

DIP switches	KTM-CO2-SD	
CO2 content	DIP 4	
0...2000 ppm (default)	OFF	
0...5000 ppm	ON	

Level	IAQ (Indoor Air Quality)	VOC
1	excellent no action required	0...19%
2	good prompt airing recommended	20...39%
3	moderate airing recommended	40...59%
4	poor increased airing required	60...79%
5	unhealthy intense airing necessary	80...100%

Table according to TVOC guidelines of the German Federal Environmental Agency to assess indoor air contamination
 (Bundesgesundheitsbl - Gesundheitsforsch - Gesundheitsschutz 2007, 50: 990-1005)



S+S REGELTECHNIK

AERASGARD® KLQ-CO2-W AERASGARD® KFTM-(LQ)-CO2-W / KTM-CO2-SD

Multifunctional duct sensors and measuring transducers incl. mounting flange, for humidity, temperature, CO2 content and air quality (VOC), calibratable, with active/switching output

KFTM-LQ-CO2-W
with display



Humidity table

MR: 0...100% RH

% RH	U _A [V]	I _A [mA]
0	0	4.0
5	0.5	4.8
10	1.0	5.6
15	1.5	6.4
20	2.0	7.2
25	2.5	8.0
30	3.0	8.8
35	3.5	9.6
40	4.0	10.4
45	4.5	11.2
50	5.0	12.0
55	5.5	12.8

Continued at the right ...

% RH	U _A [V]	I _A [mA]
60	6.0	13.6
65	6.5	14.4
70	7.0	15.2
75	7.5	16.0
80	8.0	16.8
85	8.5	17.6
90	9.0	18.4
95	9.5	19.2
100	10.0	20.0

Temperature table

MR: -35...+80 °C

°C	U _A [V]	I _A [mA]
-35	0.0	4.0
-30	0.4	4.7
-25	0.9	5.4
-20	1.3	6.1
-15	1.7	6.8
-10	2.2	7.5
-5	2.6	8.2
0	3.0	8.9
+5	3.5	9.6
+10	3.9	10.3
+15	4.3	11.0
+20	4.8	11.7

Continued at the right ...

°C	U _A [V]	I _A [mA]
+25	5.2	12.3
+30	5.7	13.0
+35	6.1	13.7
+40	6.5	14.4
+45	7.0	15.1
+50	7.4	15.8
+55	7.8	16.5
+60	8.3	17.2
+65	8.7	17.9
+70	9.1	18.6
+75	9.6	19.3
+80	10.0	20.0

AERASGARD® KLQ-CO2-W

AERASGARD® KFTM-(LQ)-CO2-W / KTM-CO2-SD

Multifunctional duct sensors and measuring transducers incl. mounting flange, for humidity, temperature, CO2 content and air quality (VOC), calibratable, with active/switching output

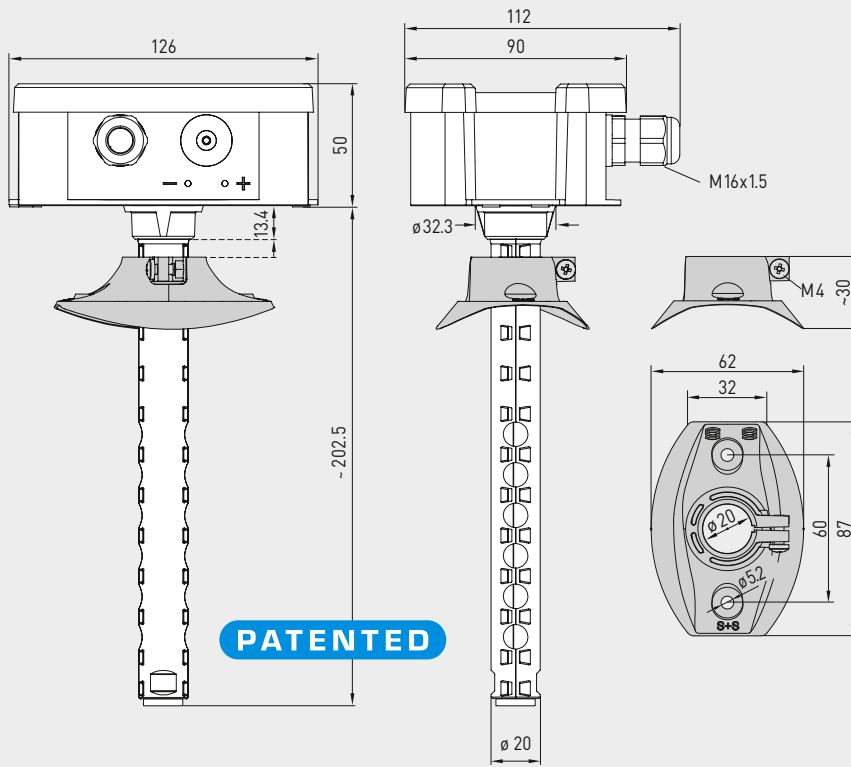


S+S REGELTECHNIK

Dimensional drawing [mm]

KLQ-CO2-W

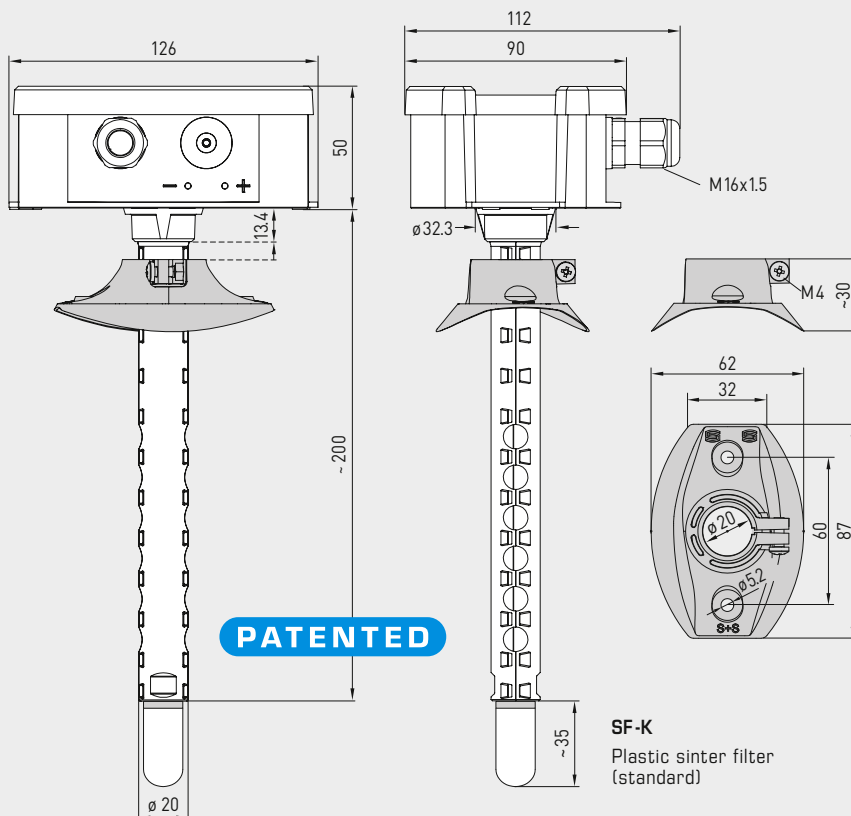
KLQ-CO2-W



Dimensional drawing [mm]

KFTM-CO2-W
KFTM-LQ-CO2-W
KTM-CO2-SD

KFTM-CO2-W
KFTM-LQ-CO2-W
KTM-CO2-SD

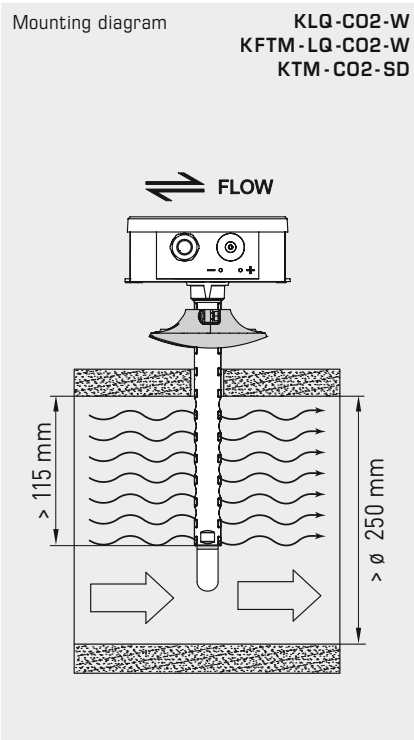




S+S REGELTECHNIK

AERASGARD® KLQ-CO2-W AERASGARD® KFTM-(LQ)-CO2-W / KTM-CO2-SD

Multifunctional duct sensors and measuring transducers incl. mounting flange, for humidity, temperature, CO2 content and air quality (VOC), calibratable, with active/switching output



AERASGARD® KTM-CO2-SD	Duct sensor for temperature and CO2 content, <i>Standard</i>
AERASGARD® KLQ-CO2-W	Duct sensor for air quality (VOC) and CO2 content, <i>Premium</i>
AERASGARD® KFTM-CO2-W	Multifunctional duct sensor for humidity, temperature and CO2 content, <i>Deluxe</i>
AERASGARD® KFTM-LQ-CO2-W	Multifunctional duct sensor for humidity, temperature, air quality (VOC) and CO2 content, <i>Deluxe</i>

Type / WG02	Measuring Range		CO2	VOC	Equipment Display	Item No.	Price
	Humidity	Temperature					
KTM-CO2-SD			(switchable)				
KTM-CO2-SD-U	-	-35...+80 °C	0...2000 / 5000 ppm	-	-	1501-8112-1001-200	314,14 €
KLQ-CO2-W			(switchable)				
KLQ-CO2-W	-	-	0...2000 / 5000 ppm	0...100 %	W	1501-8111-7301-500	402,07 €
KLQ-CO2-W LCD	-	-	0...2000 / 5000 ppm	0...100 %	W ■	1501-8111-7371-500	462,83 €
KFTM-CO2-W			(switchable)				
KFTM-CO2-W	0...100 % RH	-35...+80 °C	0...2000 / 5000 ppm	-	W	1501-8116-7301-200	384,18 €
KFTM-CO2-W LCD	0...100 % RH	-35...+80 °C	0...2000 / 5000 ppm	-	W ■	1501-8116-7371-200	421,12 €
KFTM-LQ-CO2-W			(switchable)				
KFTM-LQ-CO2-W	0...100 % RH	-35...+80 °C	0...2000 / 5000 ppm	0...100 %	W	1501-8118-7301-500	481,88 €
KFTM-LQ-CO2-W LCD	0...100 % RH	-35...+80 °C	0...2000 / 5000 ppm	0...100 %	W ■	1501-8118-7371-500	542,65 €
Outputs:	0-10V or 4...20 mA (selectable via DIP switches, selected variant applies for all outputs) – <i>Standard</i> duct sensor KTM-CO2-SD with fixed output 0-10 V!						
Equipment:	W = changeover contact – <i>Standard</i> duct sensor KTM-CO2-SD without changeover contact!						
Optional:	Cable connection with M12 connector according to DIN EN 61076-2-101 shortened protective tube PLEUROFORM™ , NL = 100 mm						on request on request
Note:	This unit must not be used as safety-relevant device!						

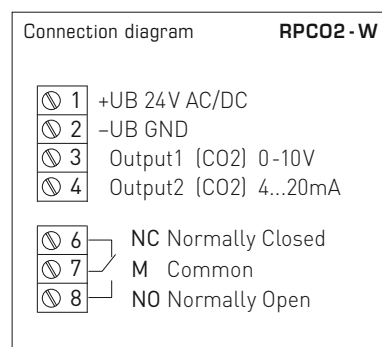
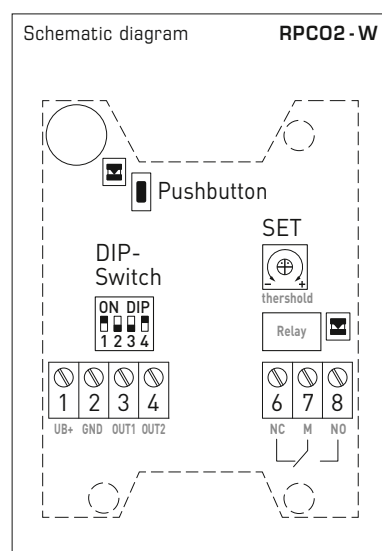
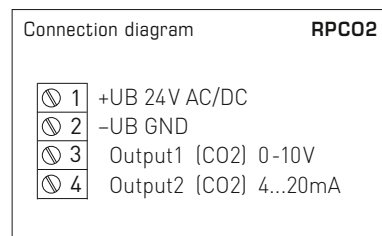
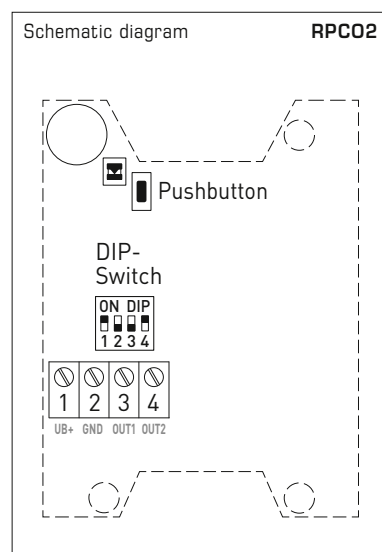
ACCESSORIES			
SF-M	Metal sinter filter, Ø 16 mm, L = 32 mm, exchangeable stainless steel V4A (1.4404)	7000-0050-2200-100	43,60 €

Maintenance-free room pendulum sensor **AERASGARD® RPCO2** with active output and **RPCO2-W** with active/switching output, automatic calibration (can be deactivated via DIP) and manual calibration (via push-button), in an impact-resistant plastic housing with quick-locking screws, optionally with / without display, for determining the CO2 content in the air (0 to 2000 / 5000 / 10000 ppm). The measuring transducer converts the measurand into a standard signal of 0-10 V (output 1) and 4...20 mA (output 2).

The CO2 measurement is performed using an optical **NDIR sensor** (non-dispersive infra-red technology). The sensor is simply suspended into the room as a pendulum, which ensures an accurate measurement result in rooms with high walls. The zero point calibration (400 ppm CO2) can be carried out in relation to the current ambient conditions by manual calibration on the unit. The air quality sensor performs an automatic self-calibration at regular intervals, which ensures CO2 measurement with long-term stability. The sensor is used in ventilation and air conditioning technology, ventilation monitoring, filter monitoring, level measurement.

TECHNICAL DATA

Power supply:	24 V AC / DC (± 10 %), half-wave rectifier, read the instructions!
Power consumption:	Ø 100 mA, peak current up to 300 mA
Switching type:	3-wire connection
Output 1 (CO2):	0-10V
Output 2 (CO2):	4...20 mA
Relay output:	RPCO2 without changeover contact RPCO2-W with potential-free changeover contact (max. 48 V / 1 A), switch point can be set
Sensor:	Optical NDIR sensor (non-dispersive infra-red technology), with manual calibration (via zero push-button), with automatic calibration (can be deactivated via DIP switches)
Measuring range:	Multi-range switching (selectable via DIP switches) 0...2000 ppm; 0...5000 ppm; 0...10000 ppm (other measuring ranges optionally available upon request)
Measuring accuracy:	typically ± 75 ppm ± 5% of measured value up to 5000 ppm, otherwise ± 100 ppm ± 5% of measured value (at 20 °C, 45% RH, 1013 mbar, auto-calibration active)
Temperature dependence:	± 5 ppm per °C (at 20 °C)
Pressure dependence:	± 0.16 % per hPa based on standard pressure
Long-term stability:	< 1 % of final value per year
Gas exchange:	by diffusion
Warm-up time:	< 10 minutes
Response time:	< 5 minutes
Sensor protection:	Filter foil (sensor in pendulum)
Protective tube:	Ø 25.5 mm, L = 95 mm (see dimensional drawing)
Sensor cable:	PVC, H03VV-F, 4 x 0.14 mm ² , KL = 2 m
Housing:	plastic, UV-resistant, polyamide material, 30% glass-globe reinforced, with quick-locking screws (slotted/Phillips head combination) colour traffic white (similar to RAL 9016)
Housing dimensions:	126 x 90 x 50 mm (Tyr 2)
Cable connection:	Cable gland made of plastic (M 16 x 1.5; with strain relief, exchangeable, max. inner diameter 10.4 mm)
Electrical connection:	0.14-1.5 mm ² , via screw terminals
Process connection:	via screws
Ambient temperature:	0...+50 °C (operation); -20...+50 °C (storage)
Permitted humidity:	10...95 % RH, non-condensing air
Response time:	< 5 min, running-in time < 20 min
Protection class:	III (according to EN 60 730)
Protection type:	IP 65 (according to EN 60 529) housing IP 30 (according to EN 60 529) pendulum
Standards:	CE-conformity, electromagnetic compatibility according to EN 61 326, EMC Directive 2014 / 30 / EU
Optional:	with display in hinged cover housing BC" (90x80x47 mm), LCD display (128x64 pixels), display content can be rotated by 90° steps, backlight (on/off/auto), to display the actual CO2 content in ppm, set switching threshold, switching status and MIN/MAX of the selected interval (1 h / 6 h / 12 h / 24 h)



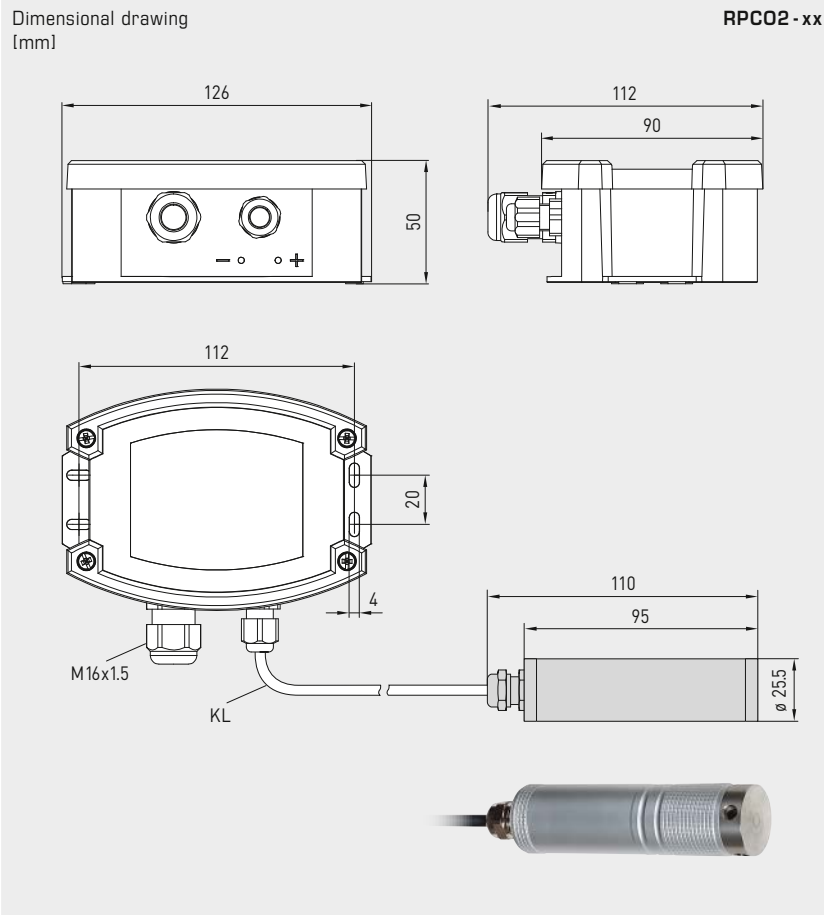


NEW

S+S REGELTECHNIK

AERASGARD® RPC02
AERASGARD® RPC02-W

Room pendulum CO2 sensor or measuring transducer,
self-calibrating, with multi-range switching
and active/switching output



Measuring range CO2 content	DIP 1	DIP 2	DIP 3
0...2000 ppm (default)	ON	OFF	OFF
0...5000 ppm	OFF	ON	OFF
0...10000 ppm	OFF	OFF	ON

Automatic CO2 calibration	DIP 4
activated (default)	ON
deactivated	OFF

AERASGARD® RPC02 Room pendulum CO2 sensor or measuring transducer, *Premium*
AERASGARD® RPC02-W Room pendulum CO2 sensor or measuring transducer, *Premium*

Type/WG02	Measuring ranges CO2	Output 1 CO2	Output 2 CO2	Output switching	Display	Item no.	Price
RPC02	(switchable)						
RPC02	0...2000 ppm / 0...5000 ppm / 0...10000 ppm	0-10 V	4...20 mA	-		3CON-0203-0001-000	376,44 €
RPC02 LCD	(3x as above)	0-10 V	4...20 mA	-	■	3CON-0206-0001-000	427,85 €
RPC02-W	(switchable)						
RPC02-W	0...2000 ppm / 0...5000 ppm / 0...10000 ppm	0-10 V	4...20 mA	Changeover contact		3CON-0203-1001-000	389,10 €
RPC02-W LCD	(3x as above)	0-10 V	4...20 mA	Changeover contact	■	3CON-0206-1001-000	441,29 €

Note: This unit must **not** be used as a safety-relevant device!

**Duct top-hat rail airflow sensor / airflow monitor,
electronic, external flow probe incl. mounting flange,
with active / switching output**

Electronic duct top-hat rail airflow sensor **RHEASGARD® KHSSF** with active / switching output, housing for installation in distributor boxes or control cabinets with 35 mm mounting rail, external flow probe incl. mounting flange, for determining the flow velocity (0.1...20 m/s). The measuring transducer automatically detects the required output type and converts the measurands into the required standard signal of 0–10 V or 4...20 mA (**Automatic Output Switching**).

Electronic duct top-hat rail airflow monitor **RHEASREG® KHSSW** with switching output, housing for installation in distributor boxes or control cabinets with 35 mm mounting rail, external flow probe incl. mounting flange, for determining the flow velocity (0.1...20 m/s).

The flow sensors / flow monitors are suitable for monitoring or controlling airflows in ducts, at fans and dampers, for flow-dependent monitoring of humidifiers and electric heating registers according to DIN 57100, Sect. 420, or for use in connection with DDC systems.

TECHNICAL DATA

Power supply:	24 V AC / DC (± 10%) (KHSSW-W24, KHSSF-W) 230 V AC (± 10%), 50 Hz (KHSSW-W230)
Current consumption:	approx. 3 VA
Outputs:	<p>KHSSF-W 0–10 V / 4...20 mA (via Automatic Output Switching – the unit recognises the required output type and automatically switches to U or I output); 24 V changeover contact (max. 5 A, cos φ = 1), a switching hysteresis of 2 % final value, threshold can be adjusted via potentiometer</p> <p>KHSSW-W24 24 V changeover contact (max. 5 A, cos φ = 1), a switching hysteresis of 2 % final value, threshold can be adjusted via potentiometer</p> <p>KHSSW-W230 230 V AC changeover contact (max. 10 A, cos φ = 1), a switching hysteresis of 2% final value, threshold can be adjusted via potentiometer</p>
Data point:	flow velocity [m/s]
Sensor:	calorimetric, temperature compensated, sensor breakage protection
Measuring range:	0.1...20 m/s
Accuracy:	0.5 m/s + 3 % measured value
Long-term stability:	± 0.5 % of final value per year
Reproducibility:	± 1.0 % of final value
Switching hysteresis:	2.0 % of final value
Warm-up time:	< 2 min
Response time:	< 5 s
Start-up override:	60 s (changeover contact switched or 10 V / 20 mA at output, after applying the supply voltage)
LED operating status indicator:	<p>Yellow LED off: switching point not reached (contact 5-6 open) on: switching point reached (contact 5-6 closed) flashing: start-up override is active</p> <p>Green LED on: Unit is ready for operation flashing: error in sensor or sensor line</p>
Housing:	PC / ABS (UL94-V0) material, light grey colour, 36 mm (2TE) wide for 35 mm mounting rail, approx. 90 x 36 x 58 mm (H x W x D)
Probe/sensor:	Polyamide (PA6) material, white colour (blue sensor holder), with torsion protection, Ø 12 mm, EL = approx. 20–155 mm, v _{max} = 30 m/s (air)
Sensor cable:	PVC LiYY, 3-wire, KL = approx. 2.4 m
Electrical connection:	0.14–2.5 mm ² , via screw terminal
Process connection:	by means of mounting flange with seal (included in the scope of delivery)
Ambient temperature:	storage –20...+50 °C; operation 0...+60 °C
Medium temperature:	0...+70 °C
Permitted humidity:	< 98 % RH, non-precipitating air free of harmful substances
Protection class:	II (according to EN 60 730) with UB = 230 V (KHSSW-W230) III (according to EN 60 730) with UB = 24 V (KHSSW-W24, KHSSF-W)
Protection type:	IP 30 (according to EN 60 529) housing IP 20 (according to EN 60 529) sensor technology
Standards:	CE conformity according to EMC Directive 2014 / 30 / EU, according to EN 61326-1, according to EN 61326-2-3



NEW

S+S REGELTECHNIK

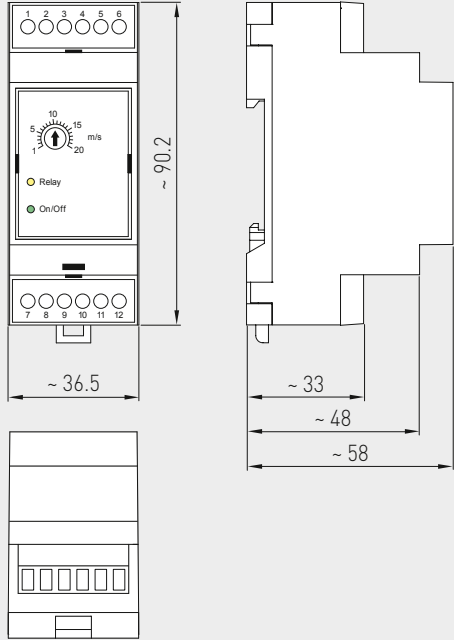
RHEASGARD® KHSSFxx
RHEASREG® KHSSWxx

Duct top-hat rail airflow sensor / airflow monitor,
electronic, external flow probe incl. mounting flange,
with active / switching output

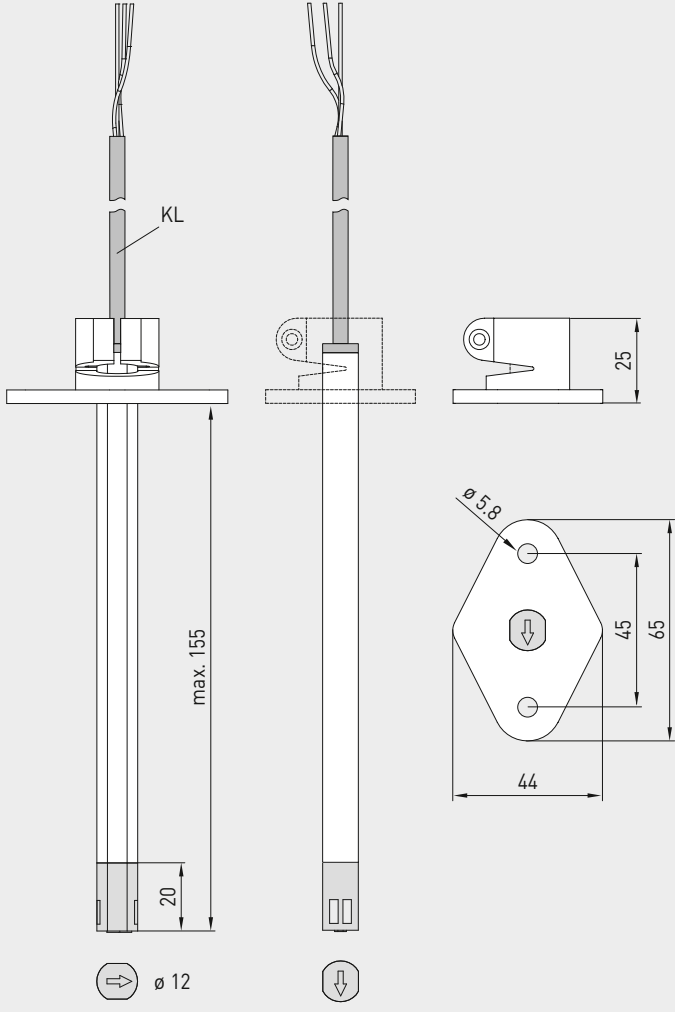


Dimensional drawing
[mm]

KHSSF xx
KHSSW xx



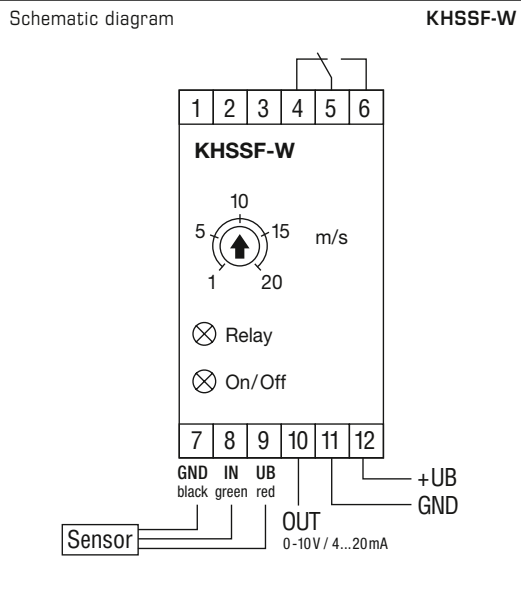
KHSSF xx
KHSSW xx
Housing



KHSSF xx
KHSSW xx
Probe

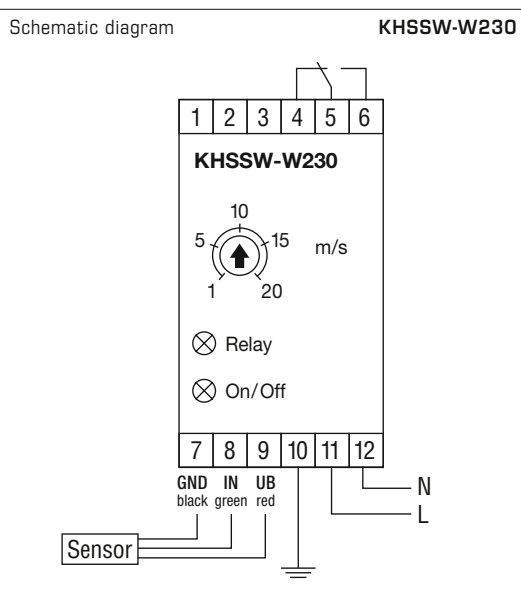
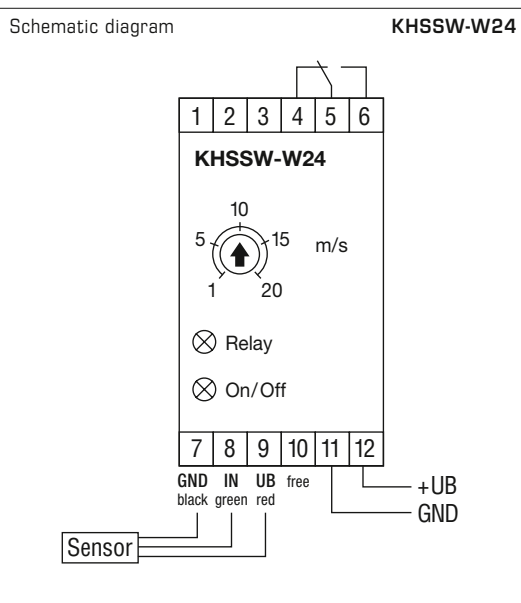


Duct top-hat rail airflow sensor / airflow monitor,
electronic, external flow probe incl. mounting flange,
with active / switching output



Automatic detection and switching
to standard signal 0...10V or 4...20mA

AOS-PATENTED
AUTOMATIC OUTPUT SWITCHING



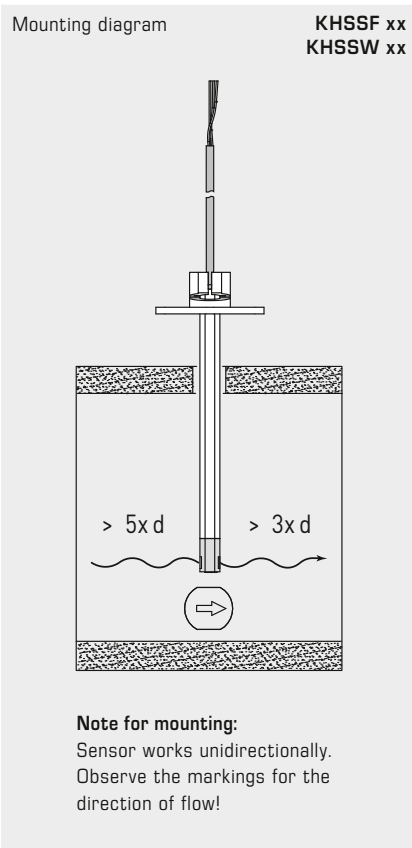
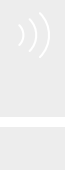


NEW

S+S REGELTECHNIK

RHEASGARD® KHSSFxx
RHEASREG® KHSSWxx

Duct top-hat rail airflow sensor / airflow monitor,
electronic, external flow probe incl. mounting flange,
with active / switching output



KHSSF xx
KHSSW xx
Probe

Type / WG01	Power supply	Output active	Output switching	Item no.	Price
RHEASGARD® KHSSF RHEASREG® KHSSW		Duct top-hat rail airflow sensor, with active and switching output Duct top-hat rail airflow monitor, with switching output			
KHSSF		AOS			
KHSSF-W	24 V AC / DC	0-10 V / 4...20 mA	1 changeover contact	1701-5118-0102-001	338,87 €
KHSSW					
KHSSW-W24	24 V AC / DC	-	1 changeover contact	1701-5113-0102-001	226,60 €
KHSSW-W230	230 V AC	-	1 changeover contact	1701-5133-0102-001	226,60 €
Note:	Changeover contact with automatic reset (relay opens automatically when value falls below the threshold again) AOS (Automatic Output Switching) = patented analogue interface (patent no. DE 10 2015 015 941 B4), the unit automatically detects the required output type 0-10 V or 4...20 mA				

Duct air flow sensors / air flow monitors,
incl. mounting flange, electronic,
with active / switching output

Electronic duct air flow sensor **RHEASGARD® KLGF** with active output, housing made of impact-resistant plastic with quick-locking screws, with cable gland, with/without display, to determine the flow velocity (0.1...20 m/s). The measuring transducer converts the measurement signal into a standard signal of 0 - 10 V.

Electronic duct air flow sensor/monitor **RHEASGARD® KLGF**T (without display) and **KLGFV**T (with display) with active and switching output, housing made of impact-resistant plastic with quick-locking screws, with cable gland, to determine the flow velocity (0.1...20 m/s) and temperature (0...+50 °C). For device type **KLGFV**T, the calculated volume flow parameter can be retrieved as an alternative to the flow (configurable on the display). The measuring transducer automatically detects the required output type and converts the measurands into the required standard signal of 0 - 10 V or 4...20 mA (**Automatic Output Switching**).

Electronic duct airflow monitor **RHEASREG® KLSW** with switching output, housing made of impact-resistant plastic with quick-locking screws, with cable gland, with/without display, to determine the flow velocity (0.1...20 m/s). The flow sensors are suitable for monitoring or controlling airflows in ducts, at fans and dampers, for flow-dependent monitoring of humidifiers and electric heating registers according to DIN 57100, Sect. 420, or for use in connection with DDC systems.

Protective tube
(NL) 120 mm



Protective tube
(NL) 220 mm



TECHNICAL DATA

Power supply:	24 V AC / DC (± 10 %) (KLSW-W24, KLGFxx) 230 V AC, 50 Hz (KLSW-W230)
Current consumption:	approx. 3 VA (KLGF, KLSW-W24, KLSW-W230) approx. 4 VA (KLGF T, KLGFV T)
Data points:	flow velocity [m/s], volume flow [m³/h], temperature [°C]
Outputs:	KLGF 1x 0-10 V (U variant) KLGF(V)T 2x 0-10 V / 4...20 mA (via Automatic Output Switching – the unit recognises the required output type and automatically switches to U or I output); changeover contact 24 V (max. 5 A, cos φ = 1.0), switching hysteresis 2 % final value, threshold can be adjusted via potentiometer KLSW-W24 changeover contact 24 V (max. 5 A, cos φ = 1.0), switching hysteresis 2 % final value, threshold can be adjusted via potentiometer KLSW-W230 changeover contact 230 V AC (max. 5 A, cos φ = 1.0), switching hysteresis 2 % final value, threshold can be adjusted via potentiometer

AIR FLOW

Sensor:	calorimetric, temperature compensated, sensor breakage protection, with manual zero-point calibration (via button)
Measuring range:	0.1...20 m/s
Accuracy:	0.5 m/s + 3 % measured value
Long-term stability:	± 0.5 % final value per year
Reproducibility:	± 1.0 % final value
Warm-up time:	< 2 min
Response time:	< 5 s
Start-up override:	0 / 60 s (KLGF/KLSW without display), can be activated via DIP switch 0...120 s (KLGF/KLSW with display, KLGF T/ KLGFV T), can be adjusted via potentiometer

TEMPERATURE

Sensor:	KLGF(V)T NTC 10k
Measuring range:	0...+50 °C
Accuracy:	typical ± 0.5 K at +25 °C
Protective tube:	PLEUROFORM ™, material polyamide (PA6), with torsion protection, Ø 20 mm, NL = 120 mm / 220 mm, v _{max} = 30 m/s (air), optional on request made of stainless steel V2A (1.4301), Ø 16 mm
Housing:	plastic, UV-resistant, polyamide material, 30 % glass-globe reinforced, with quick-locking screws (slotted / Phillips head combination), colour traffic white (similar to RAL 9016), housing cover for display is transparent!
Housing dimensions:	126 x 90 x 50 mm (Tyr 2)
Cable connection:	cable gland , plastic (M 16 x 1.5; with strain relief, exchangeable, max. inner diameter 10.4 mm)
Electrical connection:	0.2 - 1.5 mm², via push-in terminal
Process connection:	by means of plastic mounting flange (included in the scope of delivery)
Ambient temperature:	storage -20...+50 °C; operation 0...+50 °C
Medium temperature:	0...+70 °C
Permitted humidity:	< 98 % RH, non-precipitating air free of harmful substances
Protection class:	II (according to EN 60 730) with UB = 230 V (KLSW-W230) III (according to EN 60 730) with UB = 24 V (KLSW-W24, KLGFxx)
Protection type:	IP 65 (according to EN 60 529) housing; IP 20 sensor technology
Standards:	CE conformity according to EMC Directive 2014 / 30 / EU, according to EN 61326-1, according to EN 61326-2-3
Optional:	display with illumination , three-line, cutout approx. 70 x 40 mm (W x H), to display the flow velocity, volume flow and temperature

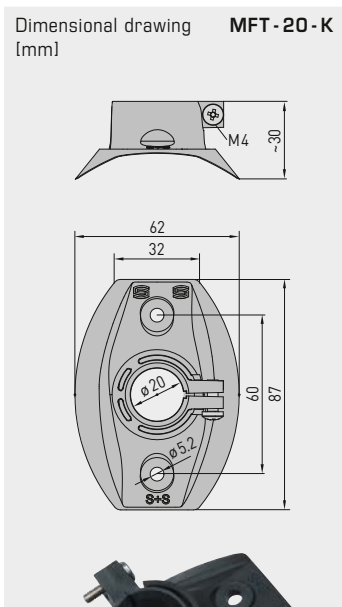
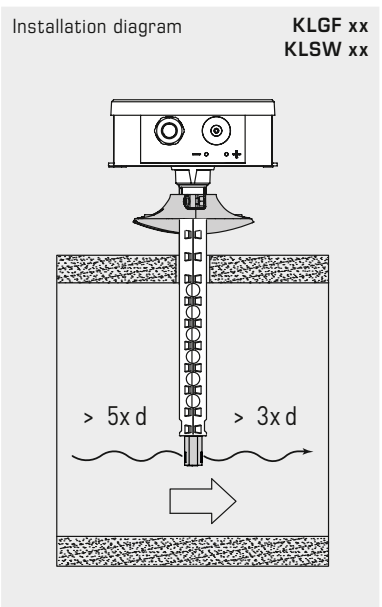
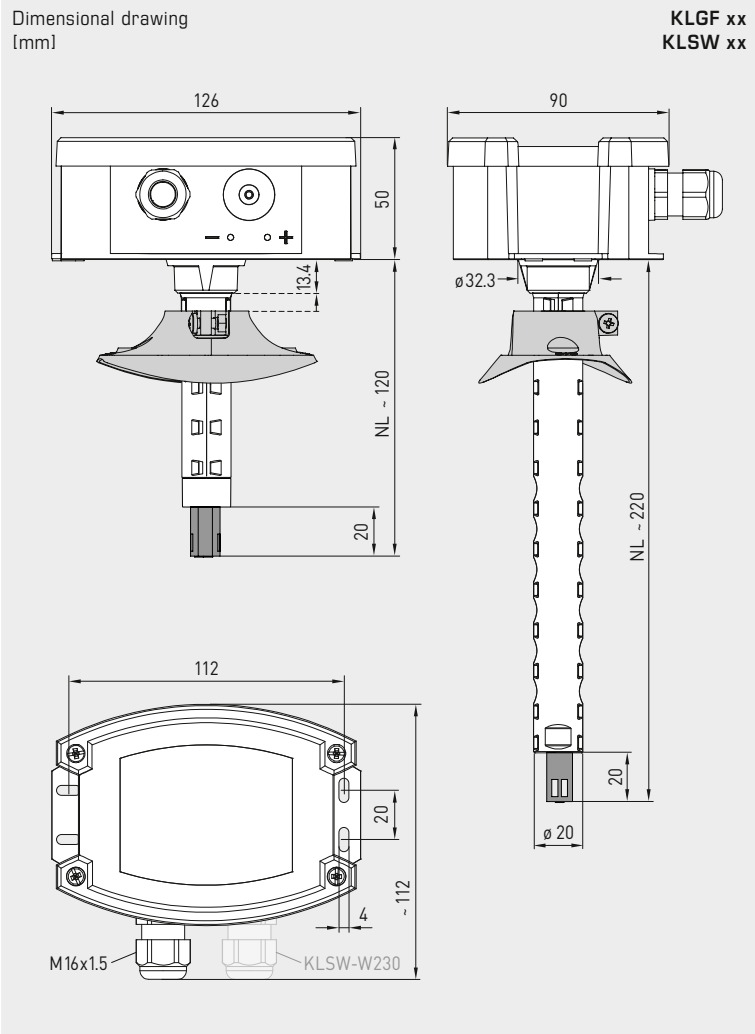


NEW

S+S REGELTECHNIK

RHEASGARD® **KLGF xx**
RHEASREG® **KLSW xx**

Duct air flow sensors / air flow monitors,
incl. mounting flange, electronic,
with active / switching output



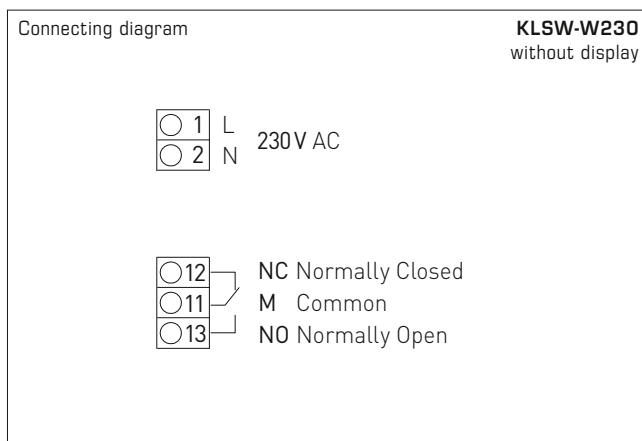
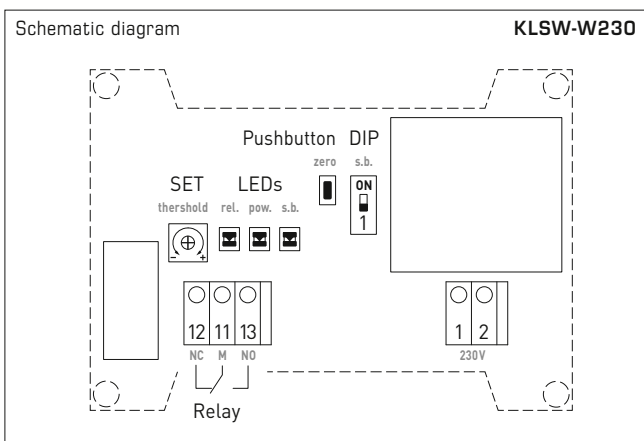
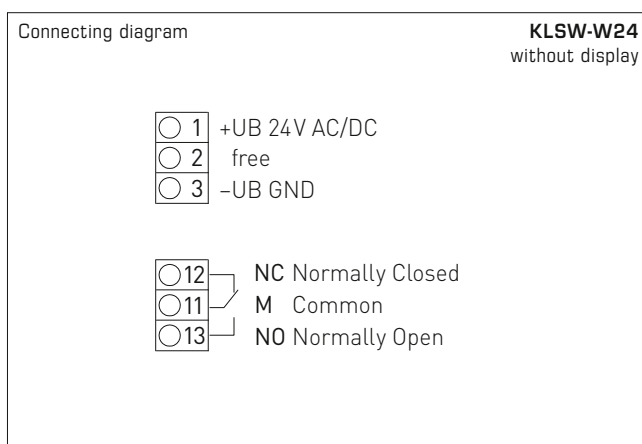
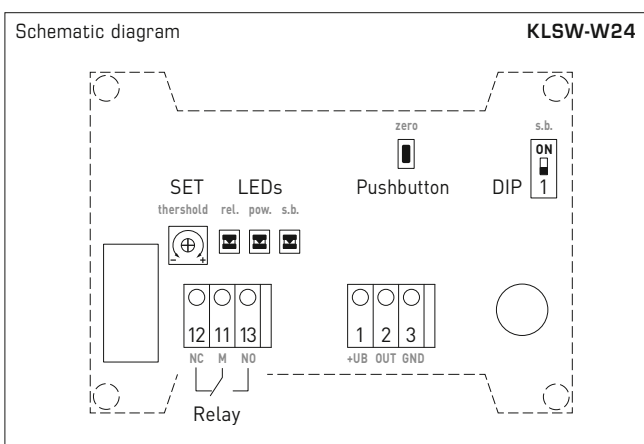
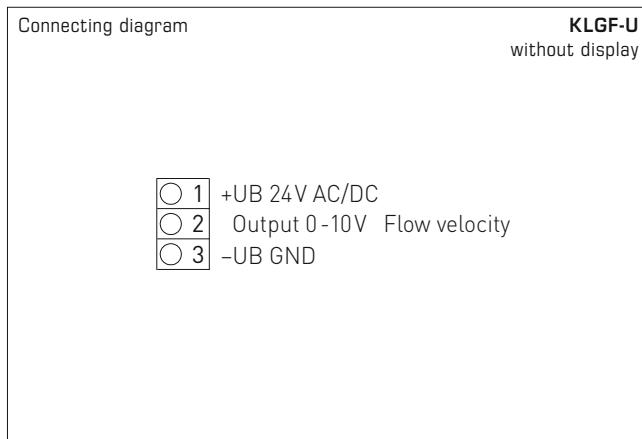
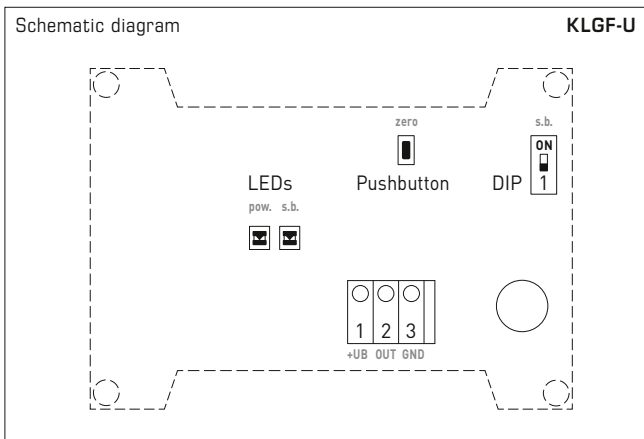
MFT-20-K
Mounting flange
made of plastic



Automatic detection and switching
to standard signal 0...10V or 4...20 mA

AOS-PATENTED
AUTOMATIC OUTPUT SWITCHING

Duct air flow sensors / air flow monitors,
incl. mounting flange, electronic,
with active / switching output



KLSW-W230
with changeover contact,
UB = 230 V

KLSW-W24
with changeover contact,
UB = 24 V

KLGF-U
with output 0-10V,
UB = 24 V



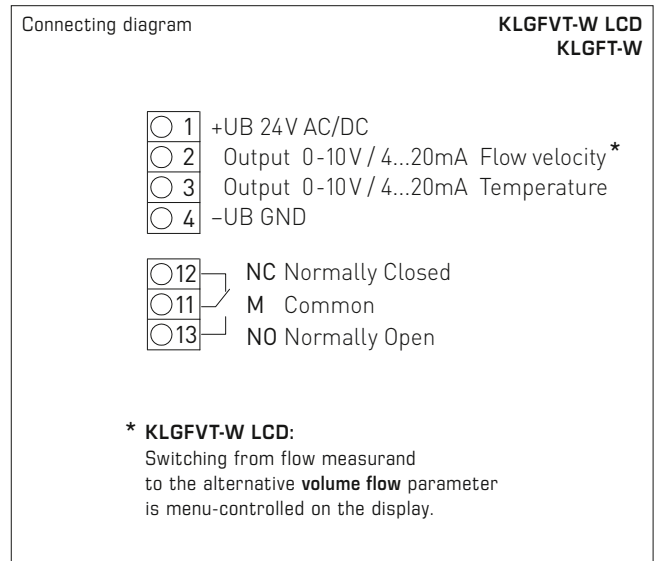
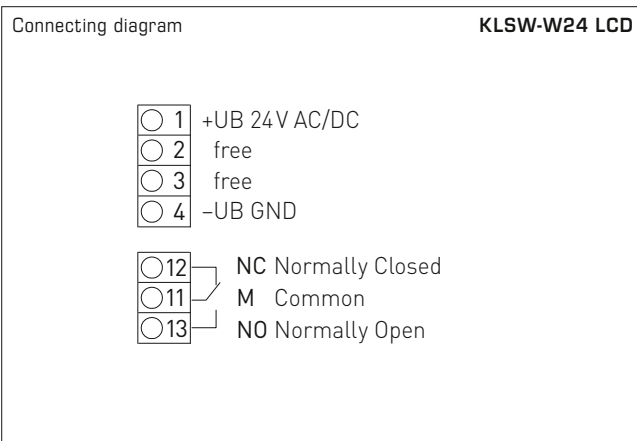
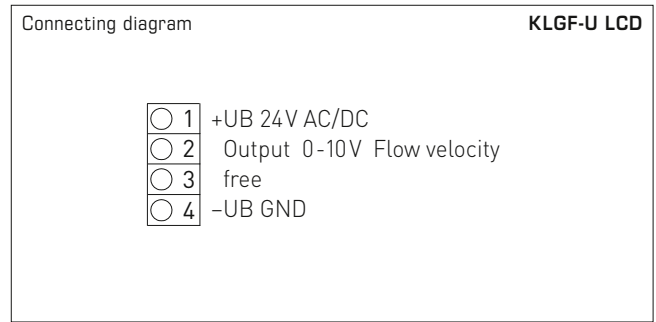
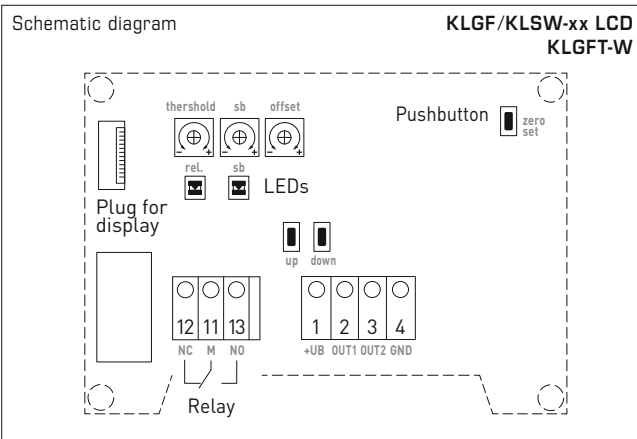


NEW

S+S REGELTECHNIK

RHEASGARD® **KLGF xx**
RHEASREG® **KLSWxx**

Duct air flow sensors / air flow monitors,
incl. mounting flange, electronic,
with active / switching output



RHEASGARD® KLGF Duct air flow sensor, electronic, with active output
RHEASGARD® KLGF(V)T Duct air flow sensor, electronic, with active and switching output
RHEASREG® KLSW Duct air flow monitor, electronic, with switching output

Type / WG01	Power supply	Output active	Output switching	(NL)	Display	Item no.	Price
KLGF							
U variant							
KLGF-U 120mm	24V AC/DC	1x 0-10V	-	120 mm		1701-4111-0102-000	258,79 €
KLGF-U	24V AC/DC	1x 0-10V	-	220mm		1701-4111-0101-000	243,34 €
KLGF-U LCD	24V AC/DC	1x 0-10V	-	220 mm	■	1701-4111-1101-000	306,06 €
Optional:	Cable connection with M12 connector according to DIN EN 61076-2-101						on request
KLGF(V)T							
AOS							
KLGF-T-W	24V AC/DC	2x 0-10V / 4...20mA	1 changeover contact	220 mm		1701-4118-0201-001	308,23 €
KLGFVT-W LCD	24V AC/DC	2x 0-10V / 4...20mA	1 changeover contact	220 mm	■	1701-4118-1401-001	379,61 €
KLSW-W24							
KLSW-W24 120mm	24V AC/DC	-	1 changeover contact	120 mm		1701-4113-0102-001	228,51 €
KLSW-W24	24V AC/DC	-	1 changeover contact	220 mm		1701-4113-0101-001	213,06 €
KLSW-W24 LCD	24V AC/DC	-	1 changeover contact	220 mm	■	1701-4113-1101-001	264,97 €
KLSW-W230							
KLSW-W230 120mm	230V AC	-	1 changeover contact	120 mm		1701-4133-0102-001	230,13 €
KLSW-W230	230V AC	-	1 changeover contact	220 mm		1701-4133-0101-001	214,68 €

Note: **Changeover contact** with automatic reset (relay opens automatically when value falls below the threshold again)

AOS (Automatic Output Switching) = patented analogue interface (patent no. DE 10 2015 015 941 B4), the unit automatically detects the required output type 0 - 10 V or 4...20 mA

KLGF-T, KLGFVT T = temperature (0...+50 °C) – additional measurand
V = volume flow (0...200,000 m³/h) – alternative parameter, can be configured via display!

**Vane switch, mechanical, with paddle,
with switching output**

WFS

Mechanical wind vane switch **RHEASREG® WFS** with switching output, in an impact-resistant plastic housing, with stainless-steel paddle, for flow monitoring of gaseous, non-aggressive media.

The flow sensor is used as a flow controller or air flow monitor in air conditioning ducts, in air intake or exhaust devices of ventilators or electric heating registers (also for contaminated, oily air).



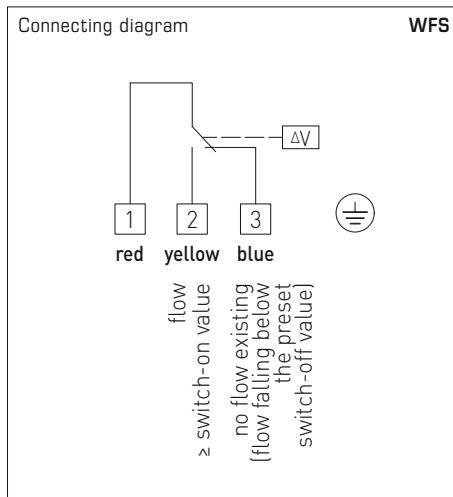
TECHNICAL DATA

Switching capacity: (Contact load)	15 (8) A; 24...250 V AC at 24 V AC min. 150 mA
Contact:	dustproof microswitch as single-pole, potential-free changeover contact
Housing:	plastic, UV-resistant, material polyamide, 30 % glass-globe reinforced, colour traffic white (similar to RAL 9016)
Housing dimensions:	108 x 70 x 73.5 mm (Thor2)
Base body:	galvanised steel
Moving arm:	brass
Vane:	stainless steel V2A (1.4301)
Cable connection:	cable gland , plastic (M20 x 1.5; with strain relief, exchangeable, inner diameter 8 - 13 mm)
Housing temperature:	-40...+85 °C
Operating difference:	≥ 1,5 m/s
Electrical connection:	0.14 - 1.5 mm ² , via screw terminals
Protection class:	I (according to EN 60 730)
Protection type:	IP 65 (according to EN 60 529)
Standards:	CE conformity, EMC directive 2014 / 30 / EU, low-voltage directive 2014 / 35 / EU

FUNCTION

Monitor: Contact 1 - 3 breaks when flow rate drops to the preset value. Simultaneously, contact 1 - 2 closes and can be used as signal contact.

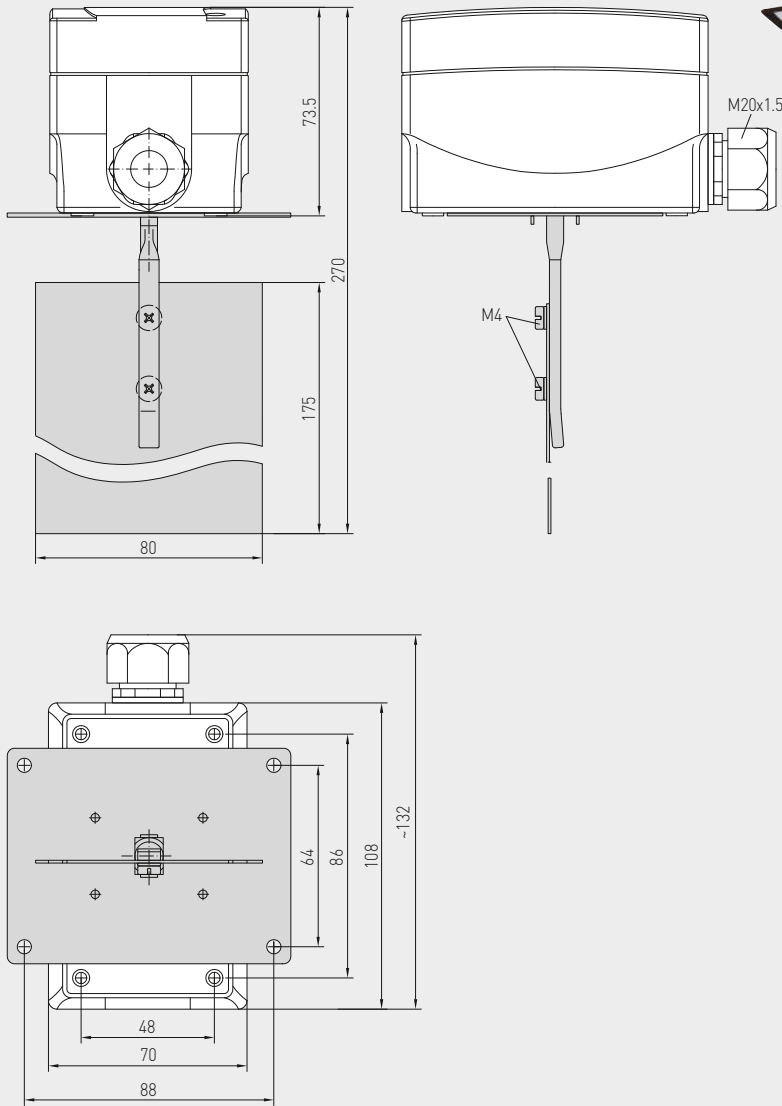
Assembly note: the installation is only possible in **horizontal** air ducts. Make sure that there is a **damping section** (≥ 5 times the pipe diameter) before and after the installation location.
For **wind speeds > 5 m/s**, cut the vane/paddle at the marked spots. This will result in an increase of the default values (see table).



Dimensional drawing

WFS

WFS



RHEASREG® WFS Vane switch, mechanical, with paddle						
Type / WG01	Switch-on value [m/s]		Switch-off value [m/s]		Item No.	Price
	min.	max.	min.	max.		
WFS						
WFS-1E	2,5 (4,0)	9,2	1,0 (2,5)	8,0	1702-3020-0000-000	93,04 €
Note: Minimum values in brackets apply to wind speeds > 5 m/s						
Spare part						
PWFS-08	Spare paddle for WFS (Stainless steel vane)				7700-0010-2000-000	19,17 €

Flow monitors, mechanical, with paddle, with switching output

Mechanical paddle flow monitor **RHEASREG® SW** with switching output, in an impact-resistant plastic housing, with stainless-steel paddle, for flow monitoring of liquid and gaseous, non-aggressive media in pipes, hydraulic systems of 3/4" through 1/2" to 8" diameter.

The flow sensor is used as a flow controller or low water alarm, e.g. for pumps in oil and cooling circuits, cooling systems, evaporators, compressors and heat exchangers, with brass or stainless-steel bodies.

SW

TECHNICAL DATA

Switching capacity:	15 (8) A; 24...250 V AC, at 24 V AC min. 150mA
Contact:	dustproof microswitch as potential-free single-pole changeover contact
Housing:	plastic, UV-resistant, material polyamide, 30% glass-globe reinforced, colour traffic white (similar to RAL 9016)
Housing dimensions:	108 x 70 x 73.5 mm (Thor2)
Base body:	galvanised steel
Screwed socket:	brass or stainless steel (see table)
Paddle:	stainless steel V4A (1.4401)
Cable connection:	cable gland , plastic (M20 x 1.5; with strain relief, exchangeable, inner diameter 8 - 13 mm)
Housing temperature:	-40...+85 °C
Max. temperature of medium:	+120 °C
Electrical connection:	0.14 - 1.5 mm ² , via screw terminals
Protection class:	I (according to EN 60 730)
Protection type:	IP 65 (according to EN 60 529)
Standards:	CE conformity, EMC directive 2014/30/EU, low-voltage directive 2014/35/EU

FUNCTION

Monitor:	Contact COM-NO (red - yellow) breaks when flow rate drops to the preset value. Simultaneously, contact COM-NC (red - blue) closes and can be used as signal contact. Device is factory-set to the minimum switch-off value, which can be increased by turning the range adjusting screw clockwise.
Installation:	vertical in horizontal pipes, tee R x" according to DIN 2950, min. smoothing distance = 5 x pipe diameter upstream and downstream of paddle

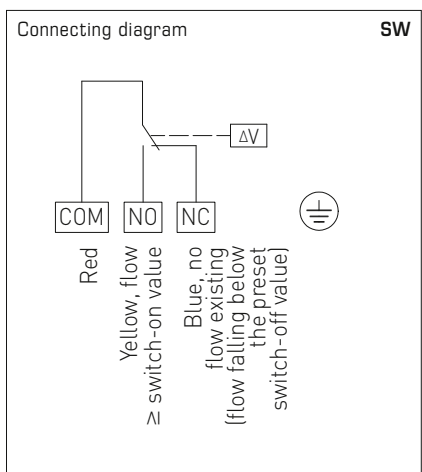
Table of switching values

Pipe Ø DN (inches)	Paddle combination PSW-09	Factory Setting OFF/ON (m ³ /h)	Max. Setting OFF/ON (m ³ /h)
SW-1 / SW-2			
1"	1	0.6 / 1.0	2.0 / 2.1
1 1/4"	1	0.8 / 1.3	2.8 / 3.0
1 1/2"	1	1.1 / 1.7	3.7 / 4.0
2"	1, 2	2.2 / 3.1	5.7 / 6.1
2 1/2"	1, 2	2.7 / 4.0	6.5 / 7.0
3"	1, 2, 3	4.3 / 6.2	10.7 / 11.4
4"	1, 2, 3	11.4 / 14.7	27.7 / 29.0
5"	1, 2, 3, 4	6.1 / 8.0	17.3 / 18.4
	1, 2, 3, 4	9.3 / 12.9	25.2 / 26.8
6"	1, 2, 3	35.9 / 43.1	81.7 / 85.1
	1, 2, 3, 4	12.3 / 16.8	30.6 / 32.7
8"	1, 2, 3	72.6 / 85.1	165.7 / 172.5
	1, 2, 3, 4	38.6 / 46.5	90.8 / 94.2
SW-3 / SW-4			
1/2"	-	0.174 / 0.48	0.846 / 0.948
3/4"	-	0.138 / 0.408	0.768 / 0.858



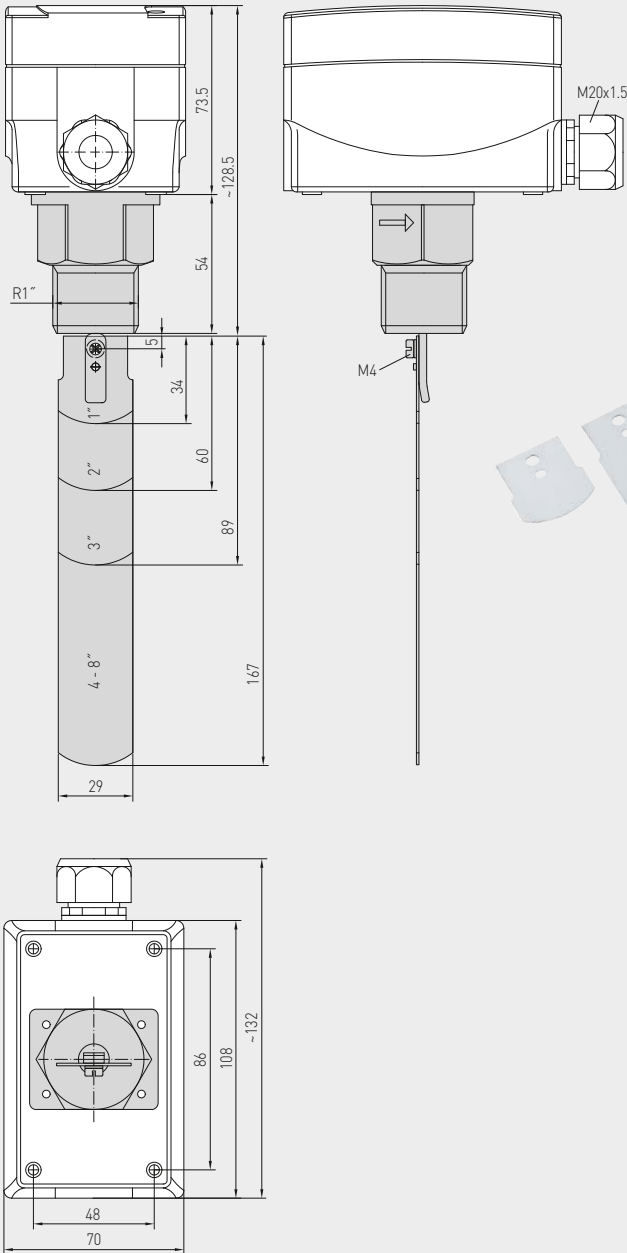
SW-3E
SW-4E

Incl. attached Tee Fitting according to DIN 2950



Dimensional drawing

SW
PSW-09



PSW-09
Set of stainless steel
paddles (Spare part)

Pipe diameters with paddle combinations

Pipe Ø DN (inches)	(mm)	Paddle combination PSW-09	
½"	15 mm	–	(SW-3E incl. Tee Fitting)
¾"	20 mm	–	(SW-4E incl. Tee Fitting)
1"	25 mm	1	
1 ¼"	32 mm	1	
1 ½"	40 mm	1	
2"	50 mm	1, 2	
2 ½"	65 mm	1, 2	
3"	80 mm	1, 2, 3	
4"	100 mm	1, 2, 3 plus 4	(shorten to 92 mm)
5"	125 mm	1, 2, 3 plus 4	(shorten to 117 mm)
6"	150 mm	1, 2, 3 plus 4	(shorten to 143 mm)
8"	200 mm	1, 2, 3 plus 4	(unshortened)

RHEASREG® SW Flow monitors, mechanical, with paddle

Type/ WG01	Pipe Ø DN	Max. Operating Pressure PN max	Medium	(Contacting Parts Made of)	Incl. attached Tee Fitting according to DIN 2950	Item No.	Price
SW							
SW-1E	1" - 8"	11 bar	normal	(brass)	–	1702-3011-0000-000	119,68 €
SW-2E	1" - 8"	30 bar	aggressive	(stainless steel V4A)	–	1702-3012-0101-000	378,57 €
SW-3E	½"	11 bar	normal	(brass)		1702-3013-0031-000	220,46 €
SW-4E	¾"	11 bar	normal	(brass)		1702-3014-0041-000	220,46 €
Spare part							
PSW-09	Set of stainless steel paddles, 4 pieces, pipe Ø 1" - 8", for SW-1E and SW-2E (included in the scope of delivery)					7700-0010-1000-000	19,80 €



Accessories

S+S added value –
smart supplements, always ahead

Take advantage of our comprehensive range of accessories, which can be used together with our entire product portfolio. This keeps you always a step ahead, and best of all: If you buy and stock up, you will also save on the price.

Our standard devices normally differ in type of design and sensors. Depending on the application, you can install S+S accessories directly on site.





IMMERSION SLEEVES & ACCESSORIES



Immersion sleeves

TH08	Immersion sleeves for temperature sensors	638
TH	Immersion sleeves for temperature sensors	640
THR	Immersion sleeves for temperature controllers	642
THE	Immersion sleeves for sleeve sensors	644

Mounting accessories

MFT-20-K	Mounting flange, plastic	646
MF-xx-K	Mounting flange, plastic	646
MF-xx-M	Mounting flange, metal	647
KRD-04	Capillary tube gland bracket, plastic	646
MK-xx	Mounting brackets	647
ESSH	Welding protection sleeve	648
KVSS / KVST	Clamp connections	648
TH-Adapter-HW	Immersion sleeve adapter (Honeywell / CentraLine)	648

Accessories for differential pressure switches

ASD-06	Connection set	649
ASD-07	Connection nipple (90°)	649
ASS-UV	Connection hose, UV-resistant	649
DAL	Pressure outlet	649
DS-MW	Mounting bracket, sheet steel	649

Protection hoods

WS-01	Sun and ball-impact protection hood	650
WS-03	Weather and sun protection hood (Tyr 2)	650
WS-04	Weather and sun protection hood (Tyr 1)	650

Spare parts, small parts

SF-xx	Sinter filters, replaceable	651
PSW-09	Stainless steel paddle (SW)	651
PWFS-08	Stainless steel vane (WFS)	651
WH-20	Wall holder (KH)	651
HS-Adapter	Universal holder for small housing (top hat rails)	651
Modbus-Y	Y-adapter for cable gland	651
SPB-1	Strap for surface-contact sensor	651
WLP-1	Heat-conductive paste, silicone-free	651

Special accessories for plug-in connectors

Connection accessories, A-coded, 5-pin or 12-pin	652
Connection accessories, EtherCAT-coded, 4-pin	653

Miscellaneous

Optional services, single services	654
Custom-made products	655

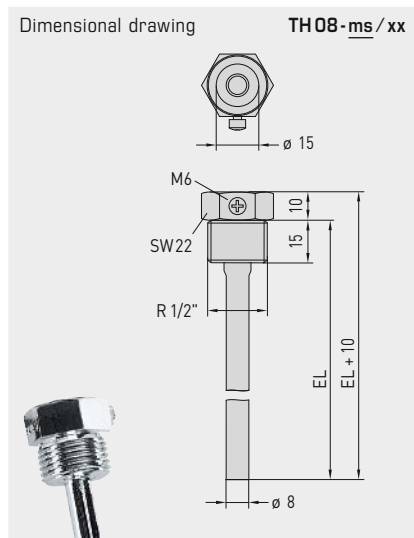
THERMASGARD® TH 08

Immersion sleeves made of stainless steel or brass, nickel-plated /galvanised, for temperature sensors and measuring transducers

TF 43, TM 43, TF 65, TM 65, TM 65-Modbus (Tyr 1)]



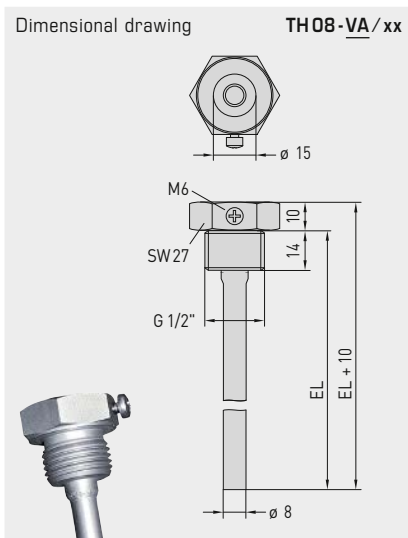
S+S REGELTECHNIK



TH08-ms/xx

Immersion sleeve, nickel-plated brass / galvanised

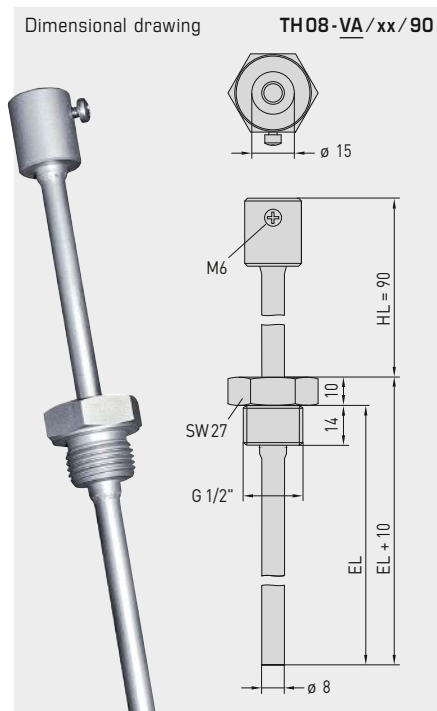
thread-sealing, conical, according to DIN 10226



TH08-VA/xx

Immersion sleeve, stainless steel V4A (1.4571)

flat sealing, cylindrical, according to DIN 228



TH08-VA/xx/90

Immersion sleeve, stainless steel V4A (1.4571) with neck tube

flat sealing, cylindrical, according to DIN 228



THERMASGARD® TH 08 Immersion sleeve Ø 8 mm					
Type / WGD1	p _{max} (static)	T _{max}	Inserted length (EL)	Item No.	Price
TH08-ms/xx	Brass nickel-plated / galvanised			Ø 8 x 0.75 mm	
TH08-MS 50MM	10 bar	+150 °C	50 mm	7100-0011-0010-132	12,90 €
TH08-MS 100MM	10 bar	+150 °C	100 mm	7100-0011-0020-132	13,50 €
TH08-MS 150MM	10 bar	+150 °C	150 mm	7100-0011-0030-132	14,60 €
TH08-MS 200MM	10 bar	+150 °C	200 mm	7100-0011-0040-132	15,62 €
TH08-MS 250MM	10 bar	+150 °C	250 mm	7100-0011-0050-132	18,09 €
TH08-MS 300MM	10 bar	+150 °C	300 mm	7100-0011-0060-132	18,90 €
TH08-MS 350MM	10 bar	+150 °C	350 mm	7100-0011-0070-132	19,40 €
TH08-MS 400MM	10 bar	+150 °C	400 mm	7100-0011-0080-132	19,90 €
TH08-VA/xx	Stainless steel V4A (1.4571)			Ø 8 x 0.75 mm	
TH08-VA 50MM	40 bar	+600 °C	50 mm	7100-0012-0010-132	22,24 €
TH08-VA 100MM	40 bar	+600 °C	100 mm	7100-0012-0020-132	24,50 €
TH08-VA 150MM	40 bar	+600 °C	150 mm	7100-0012-0030-132	26,50 €
TH08-VA 200MM	40 bar	+600 °C	200 mm	7100-0012-0040-132	27,80 €
TH08-VA 250MM	40 bar	+600 °C	250 mm	7100-0012-0050-132	34,60 €
TH08-VA 300MM	40 bar	+600 °C	300 mm	7100-0012-0060-132	36,20 €
TH08-VA 350MM	40 bar	+600 °C	350 mm	7100-0012-0070-132	36,90 €
TH08-VA 400MM	40 bar	+600 °C	400 mm	7100-0012-0080-132	37,90 €
TH08-VA/xx/90	Stainless steel V4A (1.4571), with neck tube (90mm)			Ø 8 x 0.75 mm	
TH08-VA 50/90MM	40 bar	+600 °C	50 mm	7100-0012-0012-132	29,91 €
TH08-VA 100/90MM	40 bar	+600 °C	100 mm	7100-0012-0022-132	31,26 €
TH08-VA 150/90MM	40 bar	+600 °C	150 mm	7100-0012-0032-132	32,80 €
TH08-VA 200/90MM	40 bar	+600 °C	200 mm	7100-0012-0042-132	34,19 €
TH08-VA 250/90MM	40 bar	+600 °C	250 mm	7100-0012-0052-132	35,83 €
TH08-VA 300/90MM	40 bar	+600 °C	300 mm	7100-0012-0062-132	38,84 €

Note: Inner diameter of socket 15.0 mm

INSTRUCTIONS FOR PLANNING AND INSTALLATION

The approaching flow causes the protective tube to vibrate.

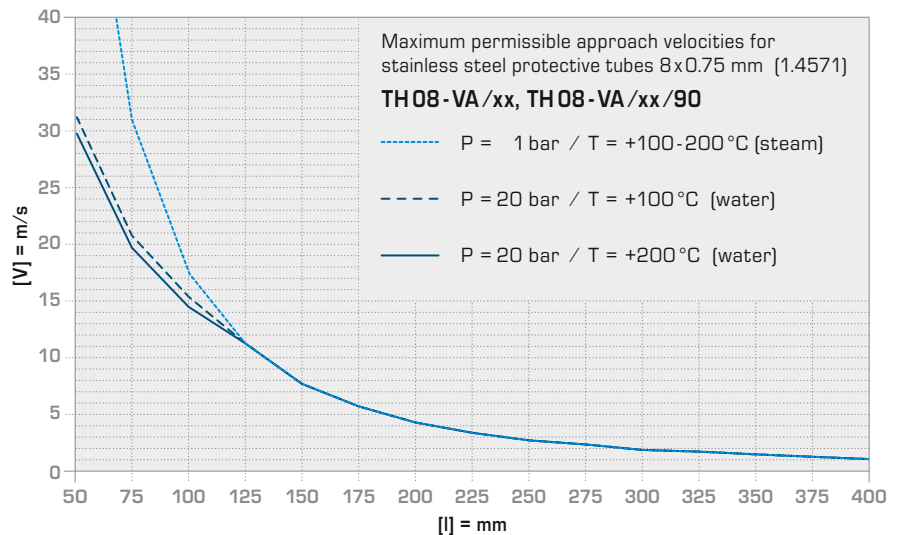
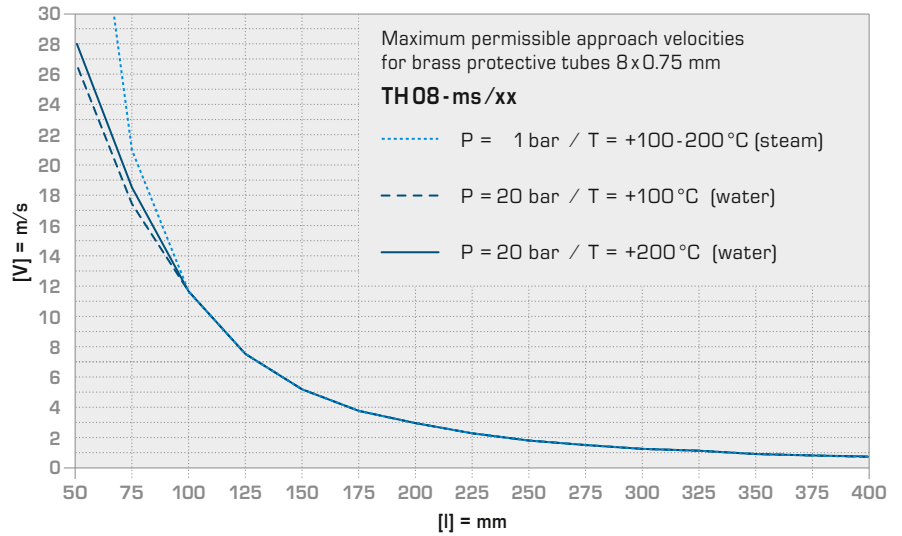
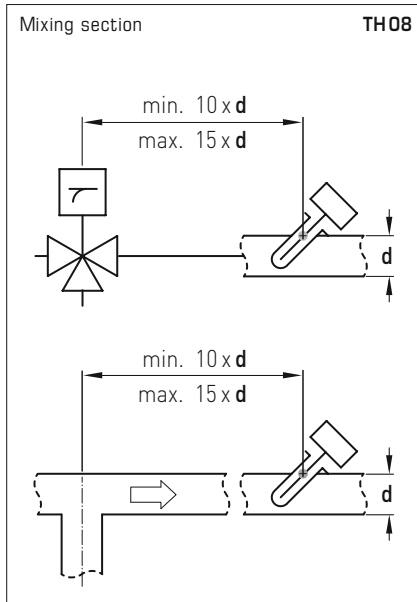
If the specified approach velocity is exceeded even by a marginal amount, a negative impact on the protective tube's service life may result (material fatigue).

Please observe permissible approach velocities for stainless steel protective tubes (see graph TH08-VA) as well as for brass protective tubes (see graph TH08-ms).

Discharge of gases and pressure surges must be avoided as they have a negative influence on the service life and may damage the protective tubes irreparably.

MIXING SECTION

After the mixing of water flows of different temperatures, the issue of temperature stratification means that an adequate distance to the sensor must be observed.

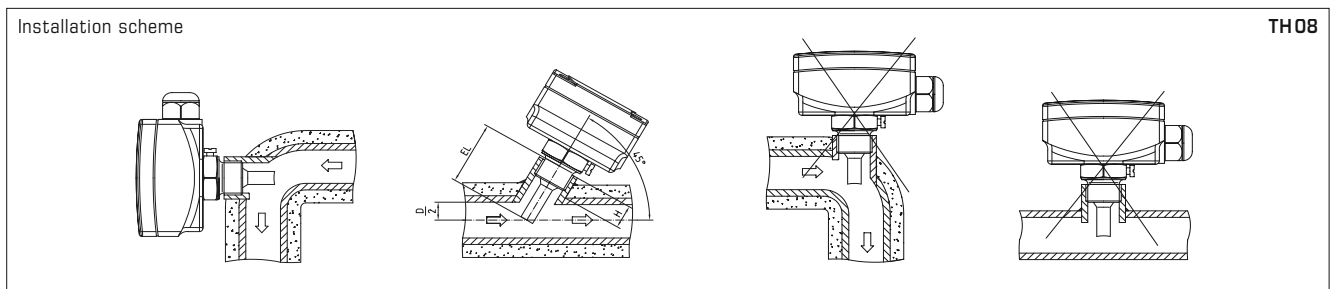


When Copper and Zinc are Not Enough

Uncompromising quality and safety are also paramount in the design of the accessory from S+S. This is why our metal immersion sleeves for duct sensors are made using either nickel plated brass or stainless steel. Brass is an alloy consisting mainly of copper and zinc, which provide good forming and machining properties, mechanical strength, temperature resistance and electrical conductivity.

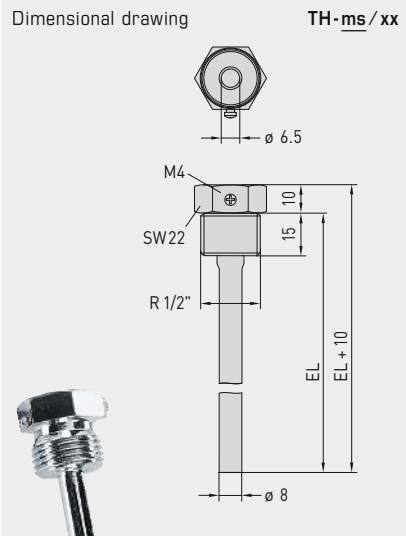
In contrast to conventional products in the market, however, our brass immersion sleeves feature an additional nickel coating. This ensures their longterm corrosion resistance in minor aggressive media, from air and water to alkaline solutions and diluted acids. At the same time, the nickel layer prevents ingredients in thermally conductive compounds from stripping the copper and causing pitting.

Highest protection against corrosion is provided by immersion sleeves made of stainless steel. Among the available qualities, we chose VA 1.4571 or AISI 316 Ti, a high-grade austenite specialty combining chromium, nickel and molybdenum with an extra titanium content. The alloy has a proven fit particularly in the design of chemical process equipment and technical instruments as well as in waste gas and water treatment. Its corrosion resistance also includes chlorides or salts and more aggressive acids, such as hydrochloric acid (HCl).



THERMASGARD® TH

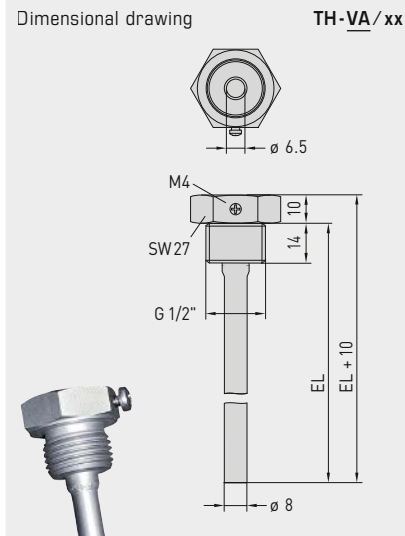
Immersion sleeves made of stainless steel or brass, nickel-plated/galvanised, for temperature sensors and measuring transducers TF 54/TM 54 (form B)



TH-ms/xx

Immersion sleeve, nickel-plated brass / galvanised

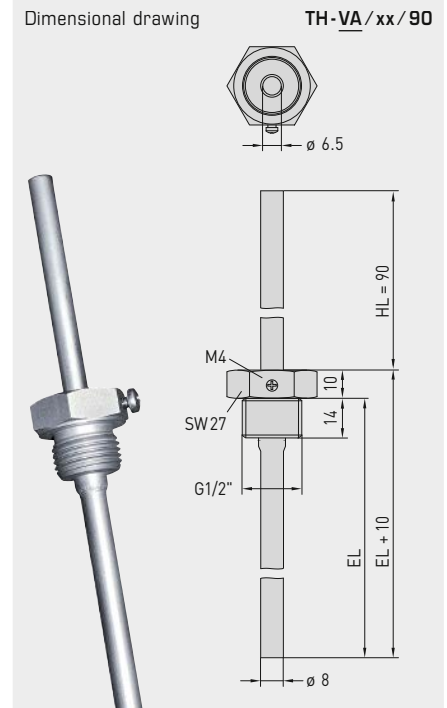
thread-sealing, conical, according to DIN 10226



TH-VA/xx

Immersion sleeve, stainless steel V4A (1.4571)

flat sealing, cylindrical, according to DIN 228



TH-VA/xx/90

Immersion sleeve, stainless steel V4A (1.4571) with neck tube

flat sealing, cylindrical, according to DIN 228

THERMASGARD® TH Immersion sleeve Ø 8 mm					
Type / WGD1	p _{max} (static)	T _{max}	Inserted length (EL)	Item No.	Price
TH-ms/xx	Brass nickel-plated / galvanised			Ø 8 x 0.75 mm	
TH-MS 50MM	10 bar	+150 °C	50 mm	7100-0011-0010-001	9,59 €
TH-MS 100MM	10 bar	+150 °C	100 mm	7100-0011-0020-001	10,93 €
TH-MS 150MM	10 bar	+150 °C	150 mm	7100-0011-0030-001	11,54 €
TH-MS 200MM	10 bar	+150 °C	200 mm	7100-0011-0040-001	11,91 €
TH-MS 250MM	10 bar	+150 °C	250 mm	7100-0011-0050-001	13,79 €
TH-MS 300MM	10 bar	+150 °C	300 mm	7100-0011-0060-001	14,17 €
TH-MS 350MM	10 bar	+150 °C	350 mm	7100-0011-0070-001	14,29 €
TH-MS 400MM	10 bar	+150 °C	400 mm	7100-0011-0080-001	14,42 €
TH-VA/xx	Stainless steel V4A (1.4571)			Ø 8 x 0.75 mm	
TH-VA 50MM	40 bar	+600 °C	50 mm	7100-0012-0010-001	20,89 €
TH-VA 100MM	40 bar	+600 °C	100 mm	7100-0012-0020-001	23,08 €
TH-VA 150MM	40 bar	+600 °C	150 mm	7100-0012-0030-001	24,80 €
TH-VA 200MM	40 bar	+600 °C	200 mm	7100-0012-0040-001	26,14 €
TH-VA 250MM	40 bar	+600 °C	250 mm	7100-0012-0050-001	32,50 €
TH-VA 300MM	40 bar	+600 °C	300 mm	7100-0012-0060-001	33,96 €
TH-VA 350MM	40 bar	+600 °C	350 mm	7100-0012-0070-001	34,19 €
TH-VA 400MM	40 bar	+600 °C	400 mm	7100-0012-0080-001	34,79 €
TH-VA/xx/90	Stainless steel V4A (1.4571), with neck tube (90mm)			Ø 8 x 0.75 mm	
TH-VA 50/90MM	40 bar	+600 °C	50 mm	7100-0012-2010-001	29,91 €
TH-VA 100/90MM	40 bar	+600 °C	100 mm	7100-0012-2020-001	31,26 €
TH-VA 150/90MM	40 bar	+600 °C	150 mm	7100-0012-2030-001	32,80 €
TH-VA 200/90MM	40 bar	+600 °C	200 mm	7100-0012-2040-001	34,19 €
TH-VA 250/90MM	40 bar	+600 °C	250 mm	7100-0012-2050-001	35,83 €
TH-VA 300/90MM	40 bar	+600 °C	300 mm	7100-0012-2060-001	38,84 €
Note:	Inner diameter of socket 6.5 mm				

Immersion sleeves made of stainless steel or brass, nickel-plated / galvanised, for temperature sensors and measuring transducers TF54/TM54 (form B)

INSTRUCTIONS FOR PLANNING AND INSTALLATION

The approaching flow causes the protective tube to vibrate.

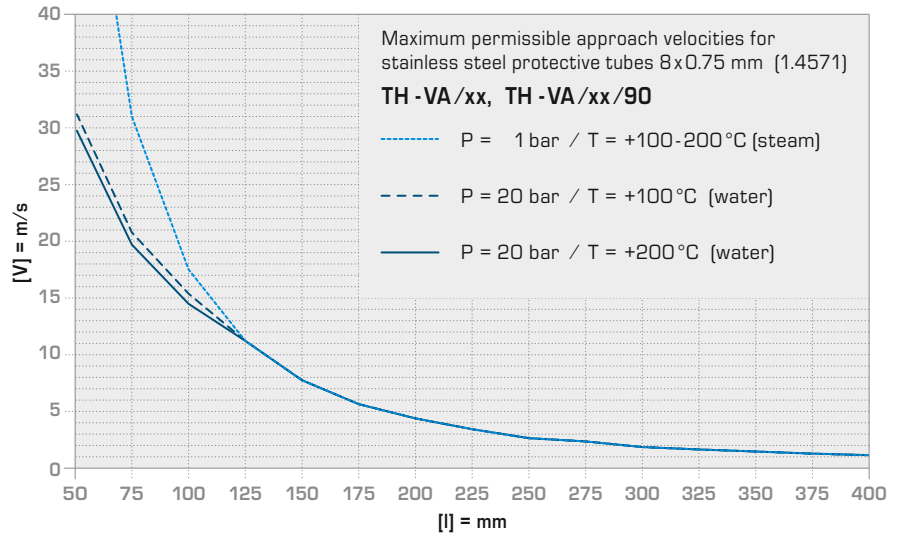
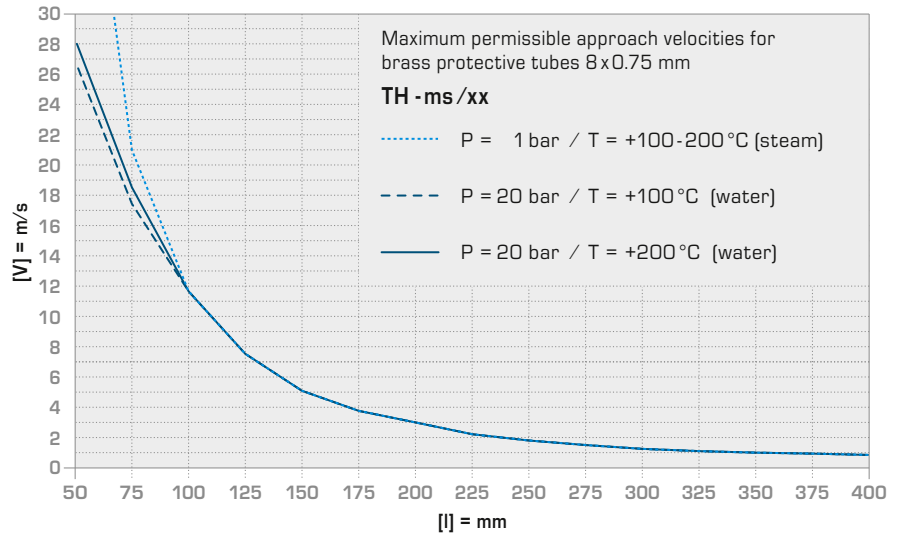
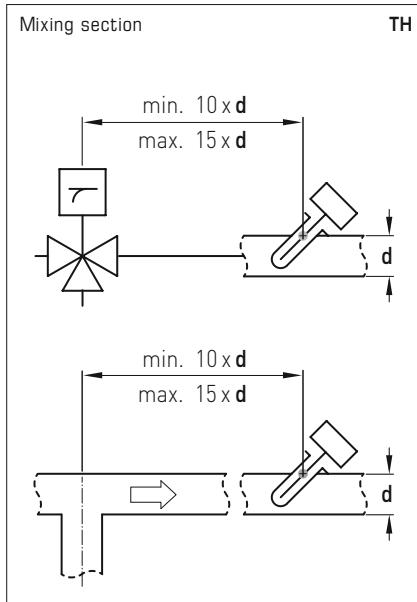
If the specified approach velocity is exceeded even by a marginal amount, a negative impact on the protective tube's service life may result (material fatigue).

Please observe permissible approach velocities for stainless steel protective tubes (see graph TH-VA) as well as for brass protective tubes (see graph TH-ms).

Discharge of gases and pressure surges must be avoided as they have a negative influence on the service life and may damage the protective tubes irreparably.

MIXING SECTION

After the mixing of water flows of different temperatures, the issue of temperature stratification means that an adequate distance to the sensor must be observed.

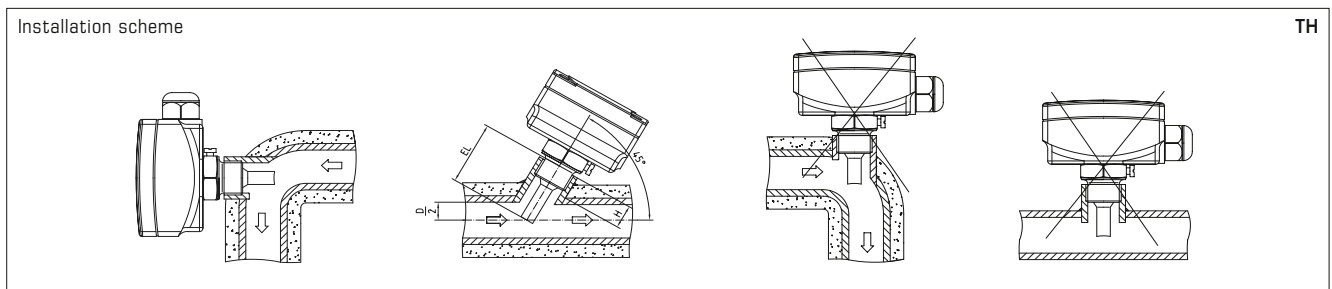


When Copper and Zinc are Not Enough

Uncompromising quality and safety are also paramount in the design of the accessory from S+S. This is why our metal immersion sleeves for duct sensors are made using either nickel plated brass or stainless steel. Brass is an alloy consisting mainly of copper and zinc, which provide good forming and machining properties, mechanical strength, temperature resistance and electrical conductivity.

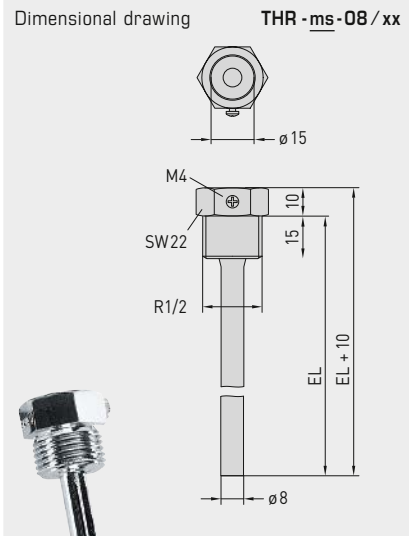
In contrast to conventional products in the market, however, our brass immersion sleeves feature an additional nickel coating. This ensures their longterm corrosion resistance in minor aggressive media, from air and water to alkaline solutions and diluted acids. At the same time, the nickel layer prevents ingredients in thermally conductive compounds from stripping the copper and causing pitting.

Highest protection against corrosion is provided by immersion sleeves made of stainless steel. Among the available qualities, we chose VA 1.4571 or AISI 316 Ti, a high-grade austenite specialty combining chromium, nickel and molybdenum with an extra titanium content. The alloy has a proven fit particularly in the design of chemical process equipment and technical instruments as well as in waste gas and water treatment. Its corrosion resistance also includes chlorides or salts and more aggressive acids, such as hydrochloric acid (HCl).

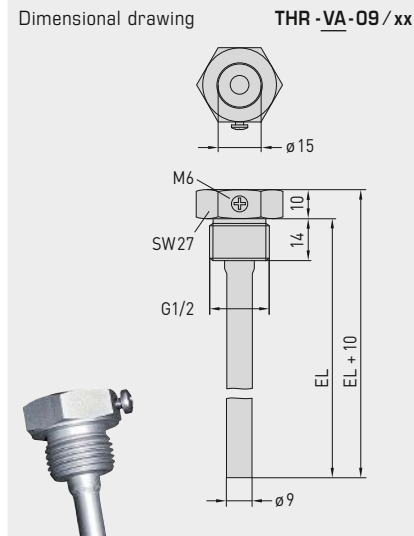


THERMASGARD® THR

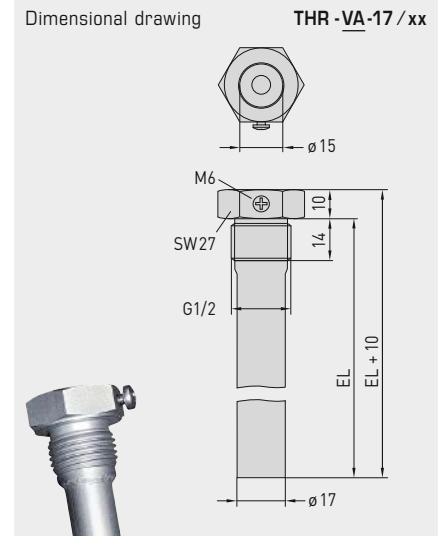
Immersion sleeves made of stainless steel or brass, nickel-plated /galvanised, for temperature controllers ETR (Thor 2)



THR -ms-08 /xx
Immersion sleeve, nickel-plated brass /galvanised
thread-sealing, conical, according to DIN 10226



THR -VA-09 /xx
Immersion sleeve, stainless steel V4A (1.4571)
flat sealing, cylindrical, according to DIN 228



THR -VA-17 /xx
Immersion sleeve, stainless steel V4A (1.4571)
flat sealing, cylindrical, according to DIN 228

When Copper and Zinc are Not Enough

Uncompromising quality and safety are also paramount in the design of the accessory from S+S. This is why our metal immersion sleeves for duct sensors are made using either nickel plated brass or stainless steel. Brass is an alloy consisting mainly of copper and zinc, which provide good forming and machining properties, mechanical strength, temperature resistance and electrical conductivity.

In contrast to conventional products in the market, however, our brass immersion sleeves feature an additional nickel coating. This ensures their longterm corrosion resistance in minor aggressive media, from air and water to alkaline solutions and diluted acids. At the same time, the nickel layer prevents ingredients in thermally conductive compounds from stripping the copper and causing pitting.

Highest protection against corrosion is provided by immersion sleeves made of stainless steel. Among the available qualities, we chose VA 1.4571 or AISI 316 Ti, a high-grade austenite specialty combining chromium, nickel and molybdenum with an extra titanium content. The alloy has a proven fit particularly in the design of chemical process equipment and technical instruments as well as in waste gas and water treatment. Its corrosion resistance also includes chlorides or salts and more aggressive acids, such as hydrochloric acid (HCl).

THERMASGARD® THR Immersion sleeve Ø 8 / 9 / 17 mm for THERMASREG® ETR (Thor 2)								
Type / WG01	p _{max} (static)	T _{max}	Time Constant for Medium:			Inserted Length (EL)	Item No. Ø	Price
			Air	Water	Oil			
THR -ms-08 /xx	Brass nickel-plated /galvanised						Ø 8 x 0.5 mm	
THR-MS-08/100	10 bar	+150 °C	106 s	18 s	53 s	100 mm	7100-0011-3022-000	15,88 €
THR-MS-08/150	10 bar	+150 °C	106 s	18 s	53 s	150 mm	7100-0011-3404-000	16,02 €
THR-MS-08/200	10 bar	+150 °C	106 s	18 s	53 s	200 mm	7100-0011-3403-000	19,02 €
THR -VA-09 /xx	Stainless steel V4A (1.4571)						Ø 9 x 1.0 mm	
THR-VA-09/100	25 bar	+150 °C	92 s	17 s	41 s	100 mm	7100-0012-3022-000	40,91 €
THR-VA-09/150	25 bar	+150 °C	92 s	17 s	41 s	150 mm	7100-0012-3032-000	42,22 €
THR-VA-09/200	25 bar	+150 °C	92 s	17 s	41 s	200 mm	7100-0012-3042-000	45,24 €
THR -VA-17 /xx	Stainless steel V4A (1.4571)						Ø 17 x 1.0 mm	
THR-VA-17/150	25 bar	+150 °C	-	45 s	55 s	150 mm	7100-0012-3033-000	42,22 €
THR-VA-17/200	25 bar	+150 °C	-	45 s	55 s	200 mm	7100-0012-3404-000	45,24 €
Ordering example:	THR -ms-08 / 100 (Brass immersion sleeve, Ø = 8 mm, EL = 100 mm) THR -VA-09 / 150 (Stainless steel immersion sleeve, Ø = 9 mm, EL = 150 mm) THR -VA-17 / 200 (Stainless steel immersion sleeve, Ø = 17 mm, EL = 200 mm)							
Note:	inner diameter of socket 15.0 mm							

INSTRUCTIONS FOR PLANNING AND INSTALLATION

The approaching flow causes the protective tube to vibrate.

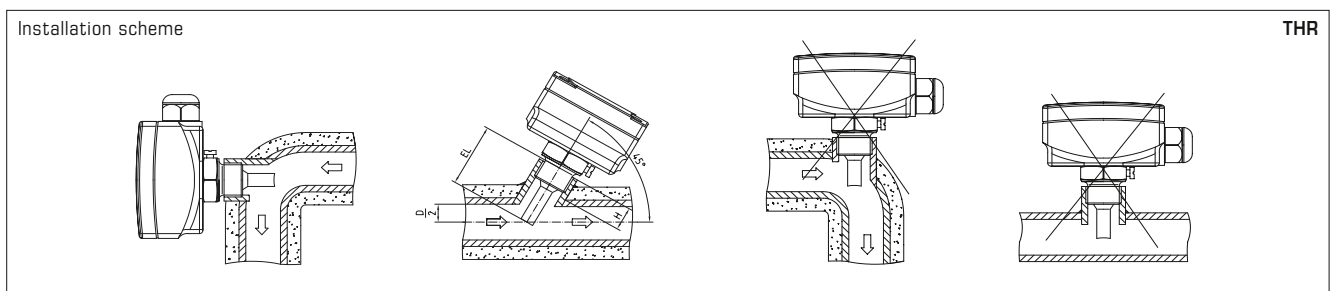
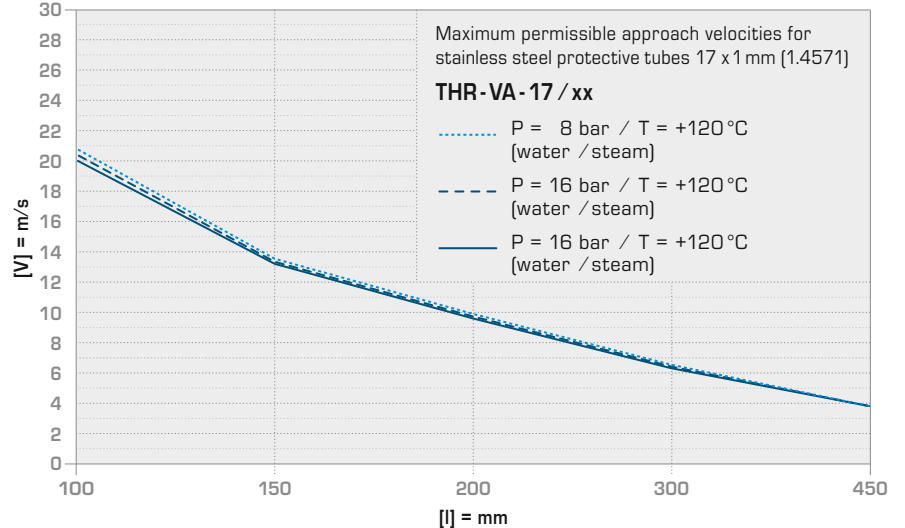
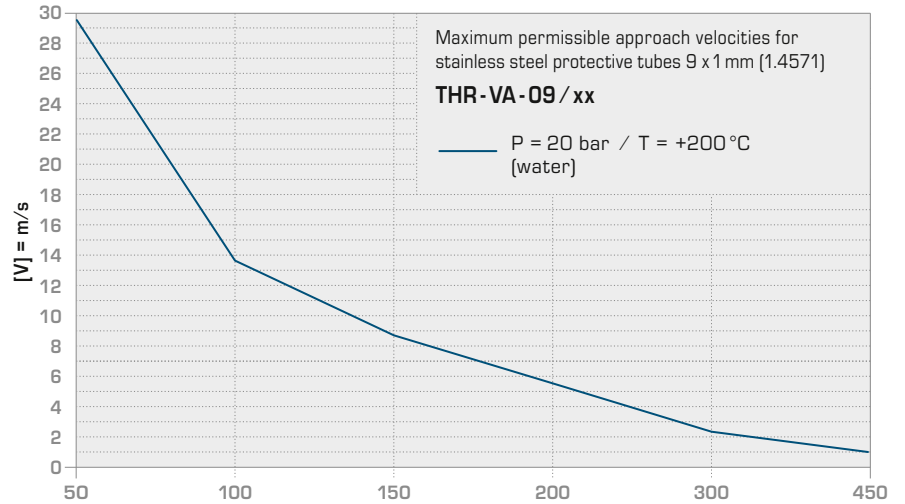
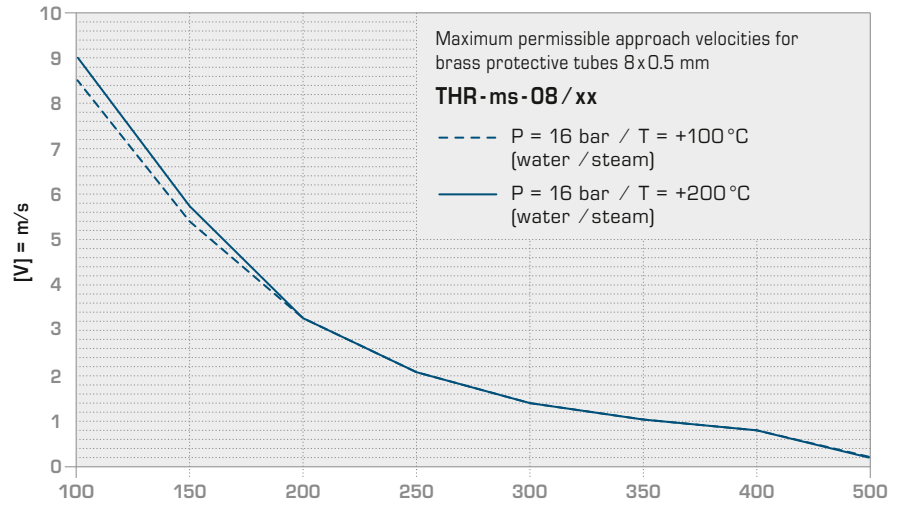
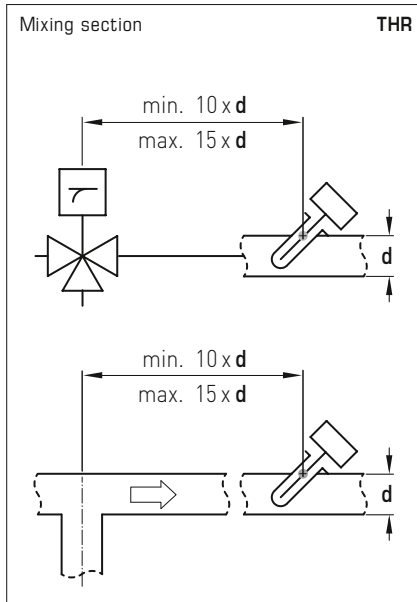
If the specified approach velocity is exceeded even by a marginal amount, a negative impact on the protective tube's service life may result (material fatigue).

Please observe permissible approach velocities for stainless steel protective tubes (see graph THR-VA) as well as for brass protective tubes (see graph THR-ms).

Discharge of gases and pressure surges must be avoided as they have a negative influence on the service life and may damage the protective tubes irreparably.

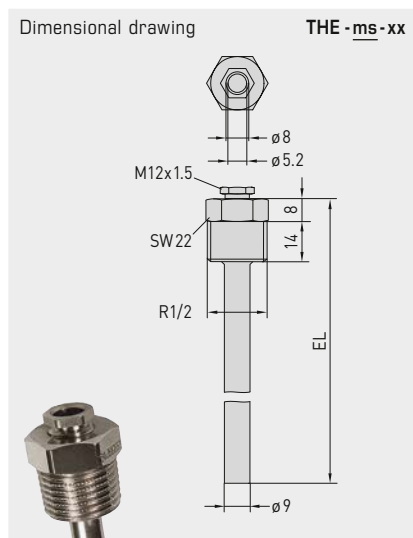
MIXING SECTION

After the mixing of water flows of different temperatures, the issue of temperature stratification means that an adequate distance to the sensor must be observed.



THERMASGARD® THE

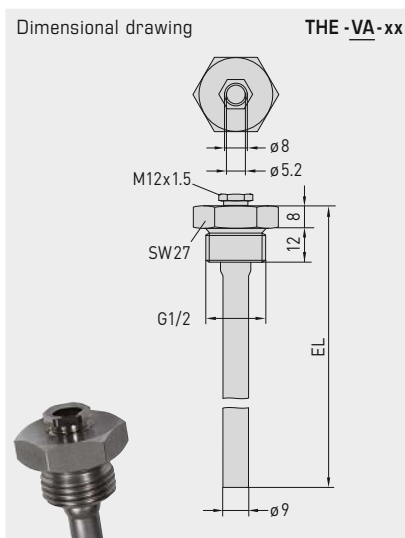
Immersion sleeves made of stainless steel or brass, nickel-plated /galvanised, with adjusting screw, for sleeve sensor HTF /HFTM



THE-ms-xx

Immersion sleeve, nickel-plated brass / galvanised

with adjusting screw, thread-sealing, conical, according to DIN 10226



THE-VA-xx

Immersion sleeve, stainless steel V4A (1.4571)

with adjusting screw, flat sealing, cylindrical, according to DIN 228

When Copper and Zinc are Not Enough

Uncompromising quality and safety are also paramount in the design of the accessory from S+S. This is why our metal immersion sleeves for duct sensors are made using either nickel plated brass or stainless steel. Brass is an alloy consisting mainly of copper and zinc, which provide good forming and machining properties, mechanical strength, temperature resistance and electrical conductivity.

In contrast to conventional products in the market, however, our brass immersion sleeves feature an additional nickel coating. This ensures their longterm corrosion resistance in minor aggressive media, from air and water to alkaline solutions and diluted acids. At the same time, the nickel layer prevents ingredients in thermally conductive compounds from stripping the copper and causing pitting.

Highest protection against corrosion is provided by immersion sleeves made of stainless steel. Among the available qualities, we chose VA 1.4571 or AISI 316 Ti, a high-grade austenite specialty combining chromium, nickel and molybdenum with an extra titanium content. The alloy has a proven fit particularly in the design of chemical process equipment and technical instruments as well as in waste gas and water treatment. Its corrosion resistance also includes chlorides or salts and more aggressive acids, such as hydrochloric acid (HCl).

THERMASGARD® THE Immersion sleeve Ø 9 mm for THERMASGARD® HTF /HFTM					
Type /WG01	p _{max} static	T _{max}	Inserted Length (EL)	Item No.	Price
THE-ms /xx	Brass nickel-plated /galvanised			Ø 9 x 1,0 mm	
THE-MS 50MM	16 bar	+130 °C	50 mm	7100-0011-6010-002	10,77 €
THE-MS 100MM	16 bar	+130 °C	100 mm	7100-0011-6020-002	11,64 €
THE-MS 150MM	16 bar	+130 °C	150 mm	7100-0011-6030-002	12,07 €
THE-MS 200MM	16 bar	+130 °C	200 mm	7100-0011-6040-002	12,92 €
THE-MS 250MM	16 bar	+130 °C	250 mm	7100-0011-6050-002	14,47 €
THE-VA /xx	Stainless steel V4A (1.4571)			Ø 9 x 1,0 mm	
THE-VA 50MM	40 bar	+200 °C	50 mm	7100-0012-6010-002	21,32 €
THE-VA 100MM	40 bar	+200 °C	100 mm	7100-0012-6020-002	23,55 €
THE-VA 150MM	40 bar	+200 °C	150 mm	7100-0012-6030-002	25,29 €
THE-VA 200MM	40 bar	+200 °C	200 mm	7100-0012-6040-002	26,67 €
THE-VA 250MM	40 bar	+200 °C	250 mm	7100-0012-6050-002	33,15 €
THE-VA 300MM	40 bar	+200 °C	300 mm	7100-0012-6060-002	34,63 €
THE-VA 400MM	40 bar	+200 °C	400 mm	7100-0012-6080-002	35,75 €
Ordering example:	THE -ms - 150 (Brass immersion sleeve, Ø = 9 mm, EL = 150 mm) THE -VA - 150 (Stainless steel immersion sleeve, Ø = 9 mm, EL = 150 mm) Other inserted lengths on request				
Note:	inner diameter of socket 5.2 mm, with adjusting screw M12 x 1.5				

INSTRUCTIONS FOR PLANNING AND INSTALLATION

The approaching flow causes the protective tube to vibrate.

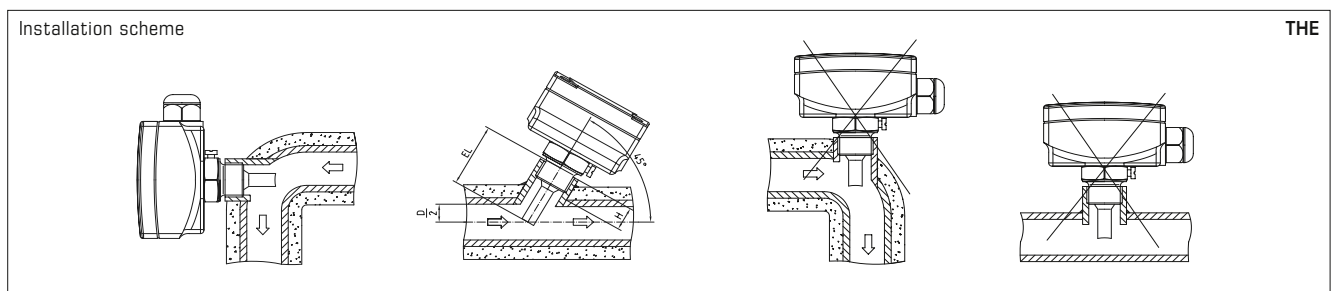
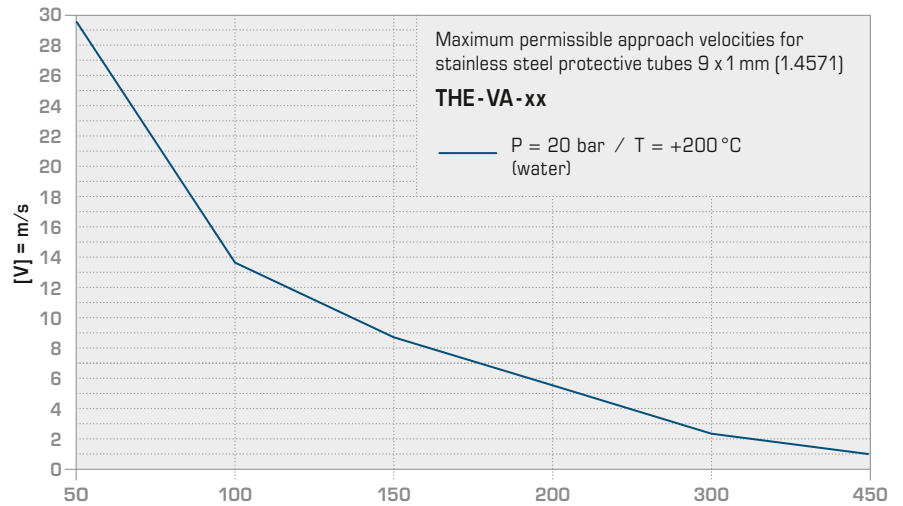
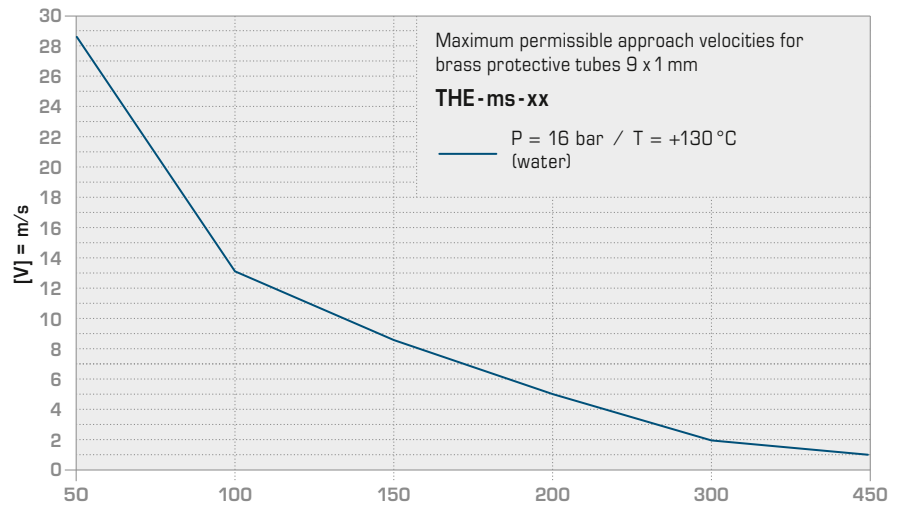
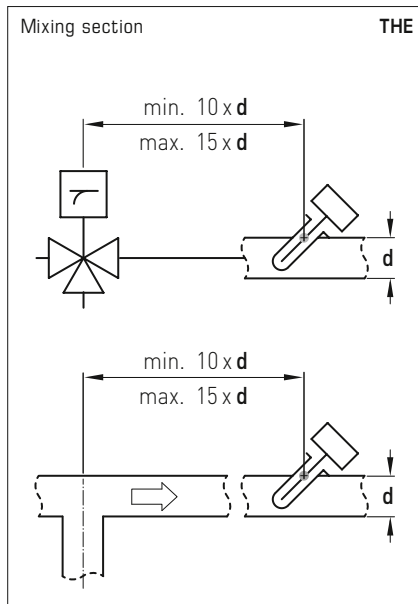
If the specified approach velocity is exceeded even by a marginal amount, a negative impact on the protective tube's service life may result (material fatigue).

Please observe permissible approach velocities for stainless steel protective tubes (see graph THE-VA) as well as for brass protective tubes (see graph THE-ms).

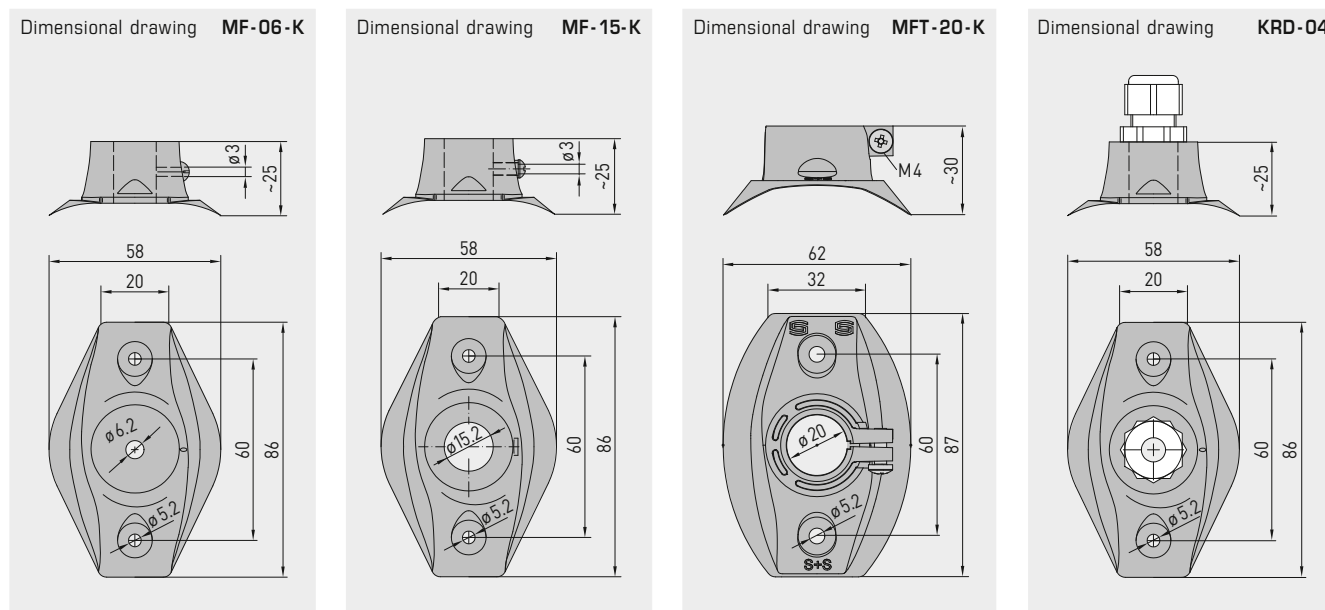
Discharge of gases and pressure surges must be avoided as they have a negative influence on the service life and may damage the protective tubes irreparably.

MIXING SECTION

After the mixing of water flows of different temperatures, the issue of temperature stratification means that an adequate distance to the sensor must be observed.



Mounting flange, plastic
Capillary tube gland bracket



MF-06-K

Mounting flange, plastic



MF-15-K

Mounting flange, plastic



MFT-20-K

Mounting flange, plastic



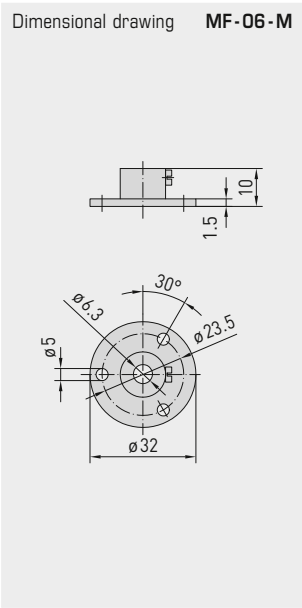
KRD-04

Capillary tube gland bracket, plastic



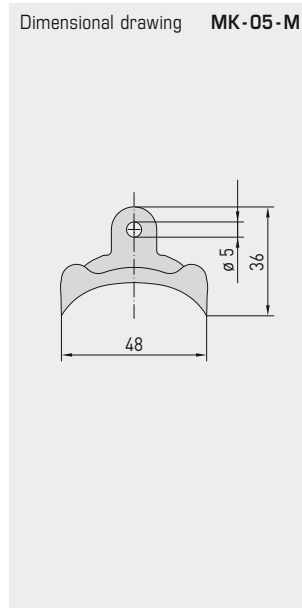
Type / WG01	Mounting flange, plastic	Tube Gland	T _{max}	Item No.	Price
MF-xx-K	for metal protective tubes!				
MF-06-K	Mounting flange, plastic, approx. 58 x 86 x 25 mm for rod sensors MWTF / MWTM	Ø 6.2 mm	+100 °C	7100-0030-1000-000	6,30 €
MF-10-K	Mounting flange, plastic, approx. 58 x 86 x 25 mm for duct air flow monitors KLGF / KLSW	Ø 10.2 mm	+100 °C	7100-0031-1000-000	9,85 €
MF-14-K	Mounting flange, plastic, approx. 58 x 86 x 25 mm for duct humidity sensors KFF / KFTF and pendulum room humidity sensors RPFF / RPFTF as well as for duct air flow monitors KLGF / KLSW	Ø 14.2 mm	+100 °C	7100-0030-2000-000	9,85 €
MF-15-K	Mounting flange, plastic, approx. 58 x 86 x 25 mm for temperature sensors TF (series Tyr 1) and temperature measuring transducers TM (series Tyr 1)	Ø 15.2 mm	+100 °C	7100-0032-0000-000	6,30 €
MF-20-K	Mounting flange, plastic, approx. 58 x 86 x 25 mm for duct sensors KH	Ø 20.2 mm	+100 °C	7100-0030-4000-000	9,85 €
MFT-20-K	for PLEUROFORM multi-channel pipes!				
MFT-20-K	Mounting flange, plastic, approx. 62 x 87 x 30 mm for duct sensors (series Tyr 1 / Tyr 2)	Ø 20 mm	+100 °C	7000-0031-0000-000	9,85 €

Type / WG01	Capillary tube gland bracket	Item No.	Price
KRD-04	Capillary tube gland bracket, plastic, approx. 58 x 86 x 25 mm (M 16 x 1.5) for frost protection thermostats (e.g. for air ducts) and rod sensors MWTF / MWTM	7100-0030-7000-000	9,18 €



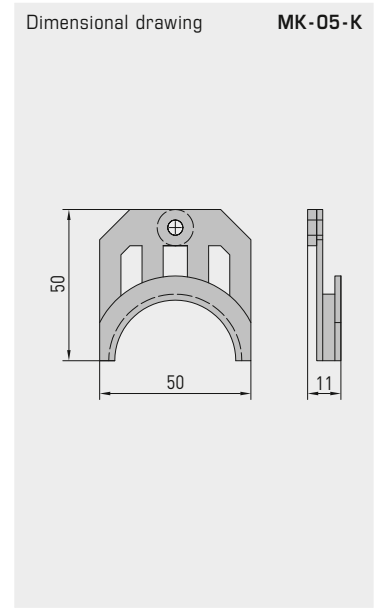
MF-06-M

Mounting flange, metal



MK-05-M

Galvanised steel mounting clamps



MK-05-K

Mounting clamps, plastic

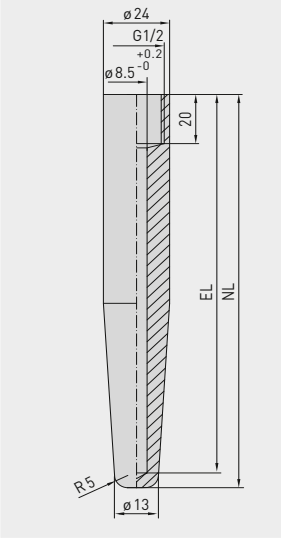


Type / WG01	Mounting flange, metal	Tube Gland	T _{max}	Item No.	Price
MF-xx-M	for metal protective tubes!				
MF-06-M	Mounting flange, metal (galvanised steel), Ø 32 mm, for temperature sensors TF (form B) temperature measuring transducers TM (form B), rod sensors MWTF / MWTM	Ø 6.3 mm	+700 °C	7100-0030-5000-100	12,95 €

Type / WG01	Mounting clamps	Item No.	Price
MK-05-M	Galvanised steel mounting clamps (6 pieces) for rod sensors MWTF / MWTM	7100-0034-0000-000	10,18 €
MK-05-K	Plastic mounting clamps (6 pieces) for frost protection thermostats	7100-0034-1000-000	10,18 €

Mounting accessories
for Immersion sensor

Dimensional drawing **ESSH**

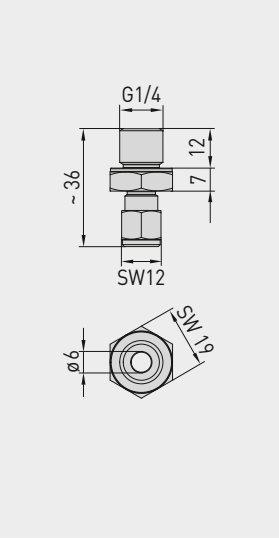


ESSH

Welding protective sleeve



Dimensional drawing **KVSS**

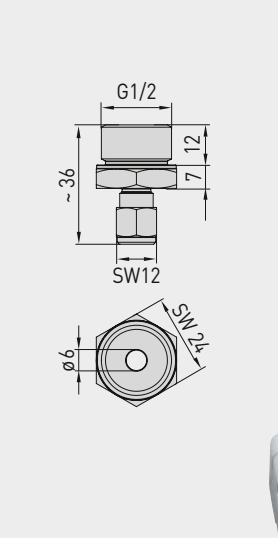


KVSS

Clamp union with cutting ring



Dimensional drawing **KVST**

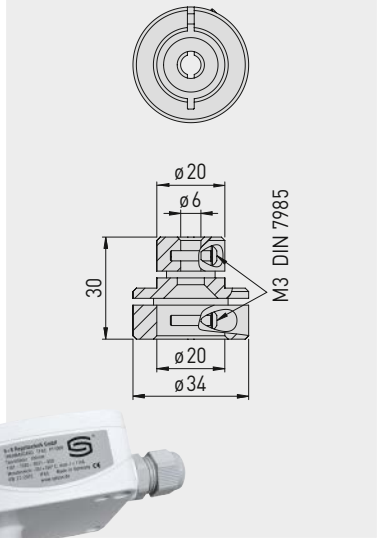


KVST

Clamp union with clamp ring

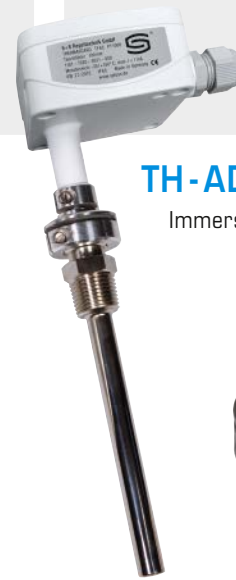


Dimensional drawing **TH-ADAPTER-HW**



TH-ADAPTER-HW

Immersion sleeve adapter, metal

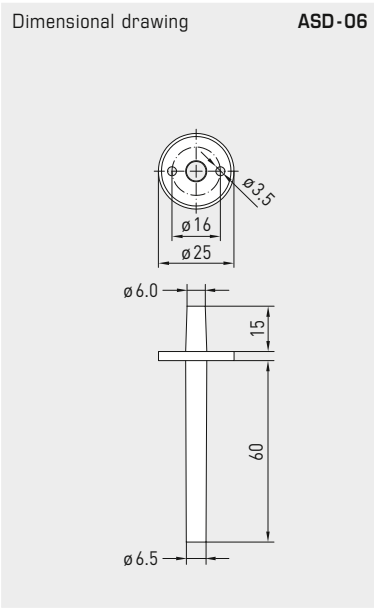


Type / WG01	Welding protective sleeve	Item No.	Price
	Welding protecting sleeves, G 1/2" straight internal pipe thread, stainless steel V4A (1.4571), other materials on request,		
ESSH 100MM	for immersion sleeves (EL) = 100 mm, P _{max} = 100 bar	7100-0052-0020-001	70,94 €
ESSH 150MM	for immersion sleeves (EL) = 150 mm, P _{max} = 100 bar	7100-0052-0030-001	81,44 €
ESSH 200MM	for immersion sleeves (EL) = 200 mm, P _{max} = 100 bar	7100-0052-0040-001	91,92 €

Type / WG01	Clamp union	Item No.	Price
KVST	Clamp union with clamp ring PTFE, Ø 6 mm	7100-0032-0110-000	100,92 €
KVSS	Clamp union with cutting ring VA, Ø 6 mm	7100-0032-1000-000	65,03 €

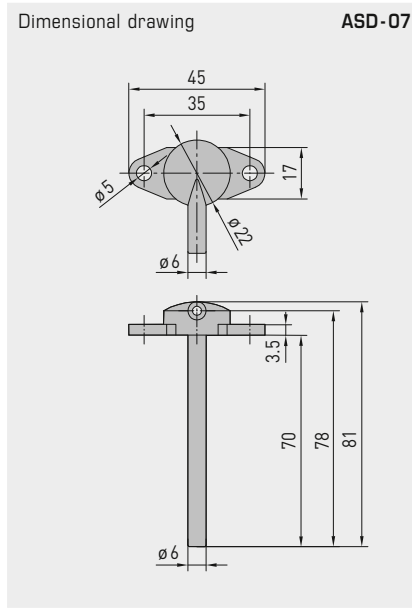
Type / WG01	Immersion sleeve adapter, metal	Item No.	Price
TH-ADAPTER-HW	Metal immersion sleeve adapter (adaptation Ø 20 mm / Ø 6 mm) for mounting S+S temperature sensors from the TF and TM series in immersion sleeves by Honeywell / CentraLine of the types VFFT, VFL, VFNT, VFLN	7100-0037-0001-000	15,95 €

Mounting accessories
for differential pressure switches



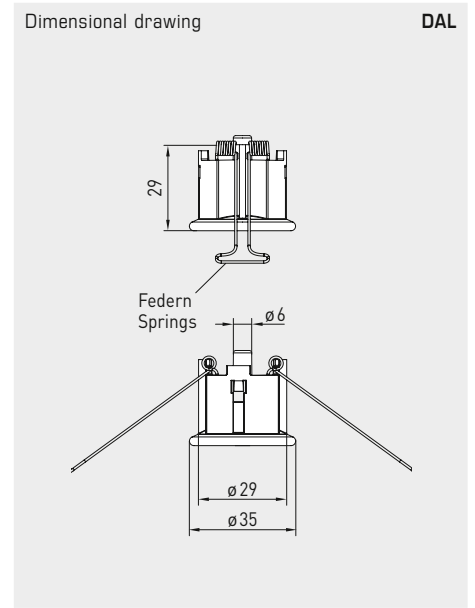
ASD-06

Connection set
(straight nipples)



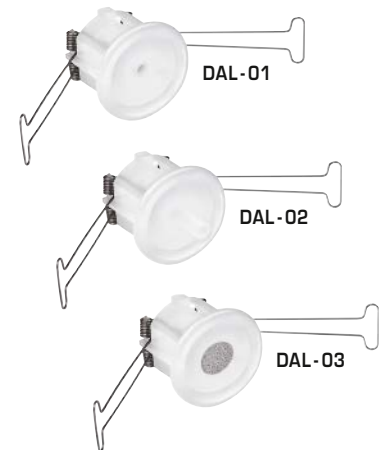
ASD-07

Connection nipples
(at 90 degree angle)



DAL

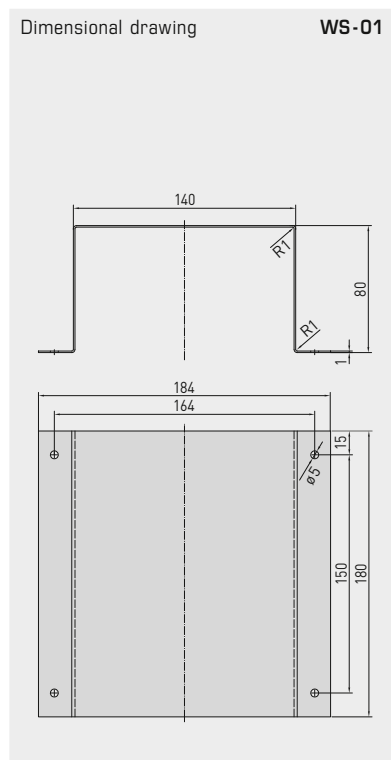
Pressure outlet



Type / WG01	Accessories for differential pressure switches	Item No.	Price
ASD-06	Connection set consisting of 2 connection nipples (straight) made of ABS, 2 m PVC hose (soft, UV-resistant), 4 Philips head screws (no pre-drilling required)	7100-0060-3000-000	7,87 €
ASD-07	2 connection nipples (at 90 degree angle) made of ABS	7100-0060-7000-000	7,87 €
ASS-UV 100M	Connecting hose, UV-resistant, Ø 6mm, 1 roll (100m)	7100-0060-3101-000	1.666,89 €
DAL-01	Pressure outlet for ceiling and in-wall installation as a pressure reference point, Ø 6mm	7300-0060-3000-001	36,84 €
DAL-02	for hose attachment, Ø 6mm	7300-0060-3000-100	36,84 €
DAL-03	as a pressure reference point, with sinter filter made of stainless steel V4A (1.4404), Ø 6mm	7300-0060-3000-200	69,00 €

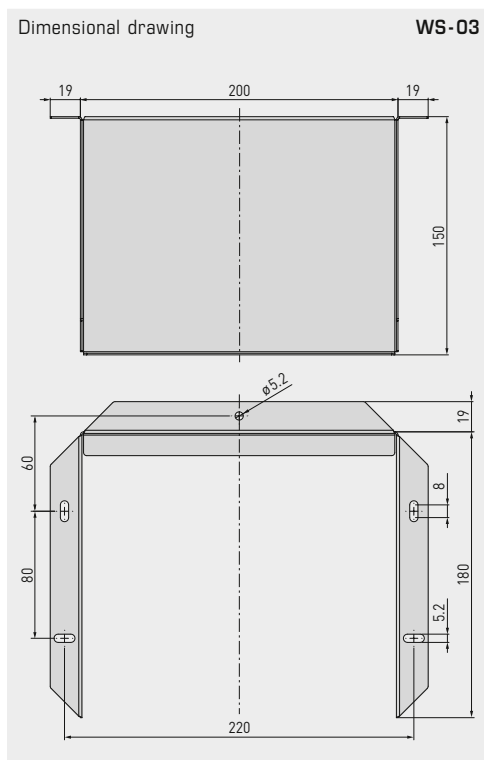
Type / WG01	Accessories for differential pressure switches DS1, DS2	Item No.	Price
DS-MW-Z	Sheet steel mounting angle in Z-Form	7100-0063-0000-000	13,76 €
DS-MW-L	Sheet steel mounting angle in L-Form	7100-0063-1000-000	14,08 €
DS-MW-U	Sheet steel mounting angle in U-Form	7100-0060-9000-000	17,31 €

Protection hoods



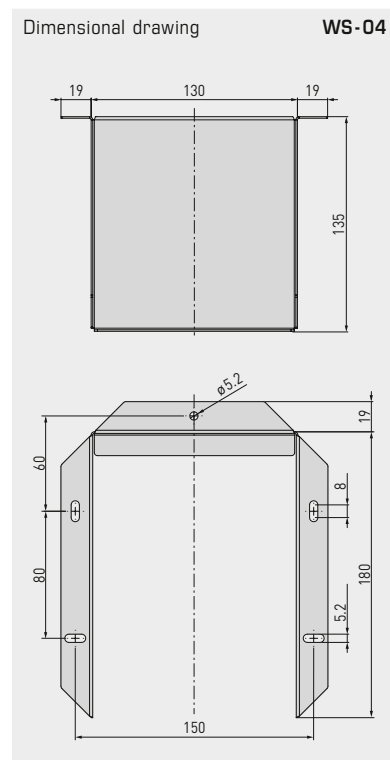
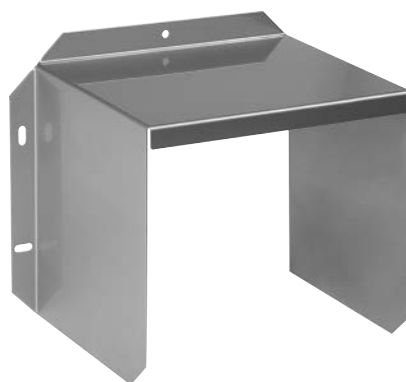
WS-01

Sun and ball-impact protection hood



WS-03

Weather and sun protection hood

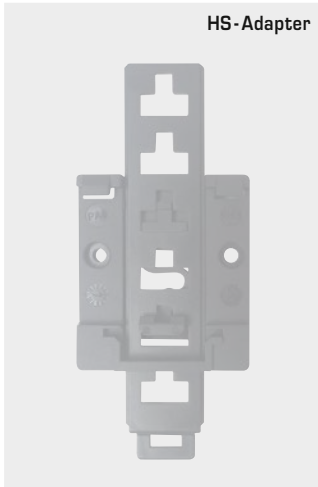


WS-04

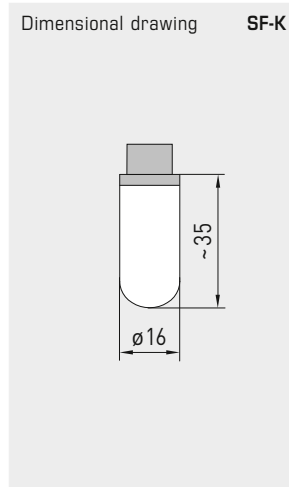
Weather and sun protection hood



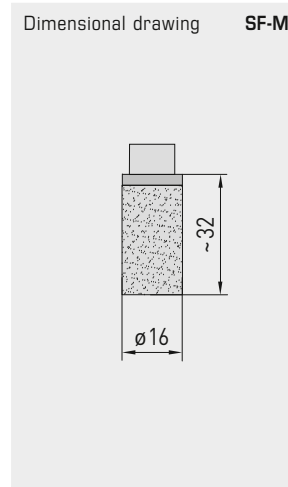
Type / WG01	Protection hoods	Item No.	Price
WS-01	Sun and ball-impact protection hood, 184 x 180 x 80 mm, stainless steel V2A (1.4301)	7100-0040-2000-000	32,72 €
WS-03	Weather and sun protection hood, 200 x 180 x 150 mm, stainless steel V2A (1.4301)	7100-0040-6000-000	46,08 €
WS-04	Weather and sun protection hood, 130 x 180 x 135 mm, stainless steel V2A (1.4301)	7100-0040-7000-000	38,61 €



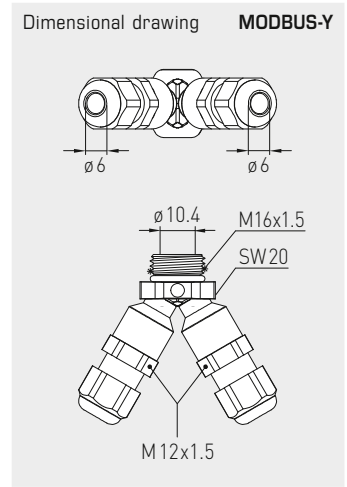
HS-Adapter



Dimensional drawing SF-K



Dimensional drawing SF-M



Dimensional drawing MODBUS-Y

HS-Adapter

Universal holder for small housing on top-hat rails



SF-K

Plastic sinter filter



SF-M

Metal sinter filter



MODBUS-Y

Y-Adapter als Bypass für Busanschluss



Type / WG01	Spare parts, small parts and special accessories	Item No.	Price
SF-K	Plastic sinter filter, Ø 16 mm, L = 35 mm, exchangeable for humidity sensors	7000-0050-2310-000	13,25 €
SF-M	Metal sinter filter, Ø 16 mm, L = 32 mm, exchangeable, stainless steel V4A (1.4404) for humidity sensors	7000-0050-2200-100	43,60 €
PSW-09	1 set of stainless steel paddles 1-8" (4 pieces), 29 x 34/60/89/157 mm for flow monitors SW	7700-0010-1000-000	19,80 €
PWFS-08	Stainless steel vane for vane switch WFS	7700-0010-2000-000	19,17 €
WH-20	Wall bracket for duct hygrometers KH	1200-0010-4000-000	12,84 €
HS-ADAPTER	Universal holder for small housings made from plastic PA6, black, for installation on 35mm top-hat rails, incl. fixing screws	7100-0038-0000-000	22,96 €
SPB1	Strap for surface-contact sensors	7100-0035-0000-000	3,89 €
WLP-1	Heat-conductive paste, silicone-free (2 ml)	7100-0060-1000-000	4,79 €
MODBUS-Y	Y-adapter for cable gland M16x 1.5 (on 2x M12x 1.5), made of plastic	7000-0005-0002-100	10,84 €

Special accessories for M12 connector

5-pin / 12-pin, A coded,

Circular connector with screw-locking according to DIN EN 61076-2-101

AL xx

Connecting cable with cable socket



VL xx

Interconnecting cable with cable socket and cable connector



KB xx

Cable socket without cable



Connecting cable for M12 connector	Type / WG011	Cable length	Item No.	Price
PVC cable, 5-pin, shielded , with cable socket (M12, A coded, female), approx. Ø = 15 mm, L = 35 mm, and one open cable end	ALG xx A5F		5-pin, shielded	
	ALG M12-A5F PVC 2M	2 m	2000-9121-0000-031	28,26 €
	ALG M12-A5F PVC 5M	5 m	2000-9121-0000-041	36,24 €
	ALG M12-A5F PVC 10M	10 m	2000-9121-0000-051	49,89 €
PVC cable, 5-pin, unshielded , with cable socket (M12, A coded, female), approx. Ø = 15 mm, L = 35 mm, and one open cable end	AL xx A5F		5-pin, unshielded	
	AL M12-A5F PVC 2M	2 m	2000-9121-0000-001	19,37 €
	AL M12-A5F PVC 5M	5 m	2000-9121-0000-011	23,99 €
	AL M12-A5F PVC 10M	10 m	2000-9121-0000-021	31,30 €
PVC cable, 12-pin, unshielded , with cable socket (M12, A coded, female), approx. Ø = 15 mm, L = 35 mm, and one open cable end	AL xx A12F		12-pin, unshielded	
	AL M12-A12F PVC 2M	2 m	2000-9122-0000-001	62,14 €
	AL M12-A12F PVC 5M	5 m	2000-9122-0000-011	73,52 €
	AL M12-A12F PVC 10M	10 m	2000-9122-0000-021	92,85 €

Interconnecting cable for M12 connector	Type / WG011	Cable length	Item No.	Price
PVC cable, 5-pin, shielded , with cable socket (M12, A coded, female) and cable connector (M12, A coded, male) approx. Ø = 15 mm, L = 35 mm	VLG xx A5		5-pin, shielded	
	VLG M12-A5 PVC 2M	2 m	2000-9111-0000-031	60,79 €
	VLG M12-A5 PVC 5M	5 m	2000-9111-0000-041	68,87 €
	VLG M12-A5 PVC 10M	10 m	2000-9111-0000-051	82,70 €
PVC cable, 5-pin, unshielded , with cable socket (M12, A coded, female) and cable connector (M12, A coded, male) approx. Ø = 15 mm, L = 35 mm	VL xx A5		5-pin, unshielded	
	VL M12-A5 PVC 2M	2 m	2000-9111-0000-001	34,58 €
	VL M12-A5 PVC 5M	5 m	2000-9111-0000-011	39,10 €
	VL M12-A5 PVC 10M	10 m	2000-9111-0000-021	48,83 €
PVC cable, 12-pin, unshielded , with cable socket (M12, A coded, female) and cable connector (M12, A coded, male) approx. Ø = 15 mm, L = 35 mm	VL xx A12		12-pin, unshielded	
	VL M12-A12 PVC 2M	2 m	2000-9112-0000-001	129,68 €
	VL M12-A12 PVC 5M	5 m	2000-9112-0000-011	142,51 €
	VL M12-A12 PVC 10M	10 m	2000-9112-0000-021	163,96 €

Mounting accessories for M12 connector	Type / WG02	Contact	Item No.	Price
Cable socket (M12, A coded, female), approx. Ø = 20 mm, L = 54 mm, unassembled, without cable	KB xx		female	
	KB M12-A5	5-pin	7100-0070-0712-000	23,81 €
	KB M12-A12	12-pin	7100-0070-0714-000	71,06 €
Cable connector (M12, A coded, male), approx. Ø = 20 mm, L = 54 mm, unassembled, without cable	KS xx		male	
	KS M12-A5	5-pin	7100-0070-0716-000	23,81 €
	KS M12-A12	12-pin	7100-0070-0718-000	71,06 €



Special accessories for MB connector
4-pin, EtherCATP coded,
for industrial EtherCATP applications

ALG ECATP xx

Connecting cable
with one cable connector



VLG ECATP xx

Interconnecting cable
with two cable connectors



EtherCAT[®] P



Connecting cable for EtherCATP	Type / WG02	Cable length	Item No.	Price
PUR cable, 4-pin, shielded, with one cable connector (MB, EtherCATP coded) and one open cable end	ALG ECATP xx		shielded	
	ALG ECATP 0.5m	0.5 m	2000-9131-0000-001	40,74 €
	ALG ECATP 1m	1.0 m	2000-9131-0000-011	44,43 €
	ALG ECATP 2m	2.0 m	2000-9131-0000-021	48,02 €
	ALG ECATP 5m	5.0 m	2000-9131-0000-031	72,90 €

Interconnecting cable for EtherCATP	Type / WG02	Cable length	Item No.	Price
PUR cable, 4-pin, shielded, with two cable connectors (MB, EtherCATP coded)	VLG ECATP xx		shielded	
	VLG ECATP 0.5m	0.5 m	2000-9131-0000-041	65,91 €
	VLG ECATP 1m	1.0 m	2000-9131-0000-051	71,36 €
	VLG ECATP 2m	2.0 m	2000-9131-0000-061	82,42 €
	VLG ECATP 5m	5.0 m	2000-9131-0000-071	115,65 €

Optional services

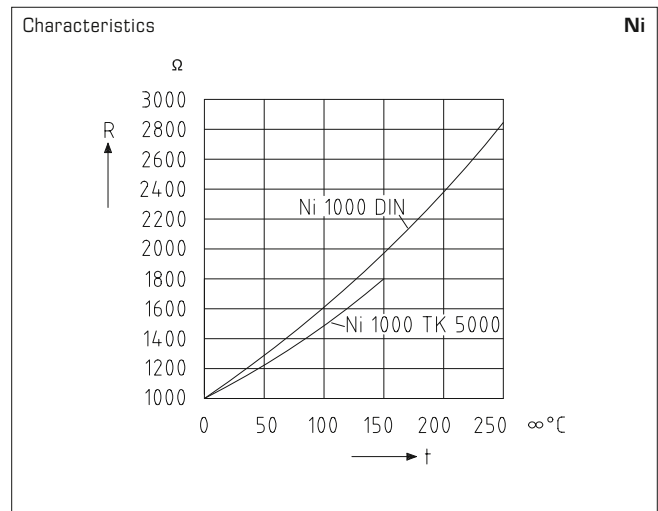
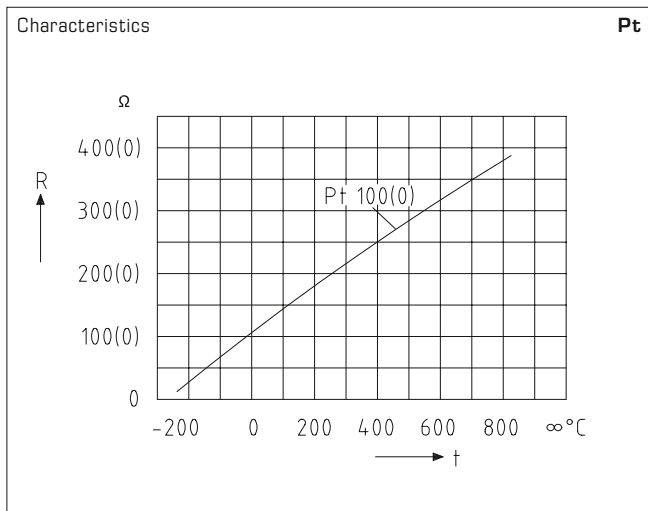
Individual components / WG01	Item No.	Price
FET	7100-0022-4000-000	52,46 €
KTY 81-210	7100-0022-0000-000	4,97 €
LM235Z (TCR = 10 mV/K; 2.73 V at 0°C), KP10	7100-0022-1000-000	7,99 €
NI1000 (according to DIN EN 43760, class B, TKR = 6180 ppm/K)	7100-0020-9000-000	9,51 €
NI1000TK5000 (according to DIN EN 43760, class B, TKR = 5000 ppm/K), LG-Ni 1000	7100-0021-0000-000	13,38 €
NTC 1,8 KOHM NTC 1.8 K	7100-0021-2000-000	11,68 €
NTC 10 KOHM PRECON NTC 10 K Precon	7100-0021-9000-000	6,11 €
NTC 20 KOHM NTC 20 K	7100-0021-6000-000	6,11 €
NTC 30 KOHM NTC 30 K	7100-0021-7000-000	6,11 €
NTC 50 KOHM NTC 50 K	7100-0021-8000-000	6,11 €
PT100 KLASSE B (according to DIN EN 60751, class B)	7100-0020-1000-000	7,34 €
PT100 1/2 DIN (according to DIN EN 60751, class B)	7100-0020-2000-000	9,76 €
PT100 1/3 DIN (according to DIN EN 60751, class B)	7100-0020-3000-000	11,36 €
PT1000 KLASSE B (according to DIN EN 60751, class B)	7100-0020-5000-000	9,91 €
PT1000 1/2 DIN (according to DIN EN 60751, class B)	7100-0020-6000-000	11,22 €
PT1000 1/3 DIN (according to DIN EN 60751, class B)	7100-0020-7000-000	13,05 €
PT1000 1/10 DIN (according to DIN EN 60751, class B)	7100-0020-8000-000	40,86 €
Note:	Other sensors on request.	

Optional services / WG01	Unit	Price
Double sensor	plus 50 % of instrument price	
1 / 2 DIN (according to DIN EN 60751, class B)	Per piece	7,58 €
1 / 3 DIN (according to DIN EN 60751, class B)	Per piece	7,58 €
1 / 10 DIN (according to DIN EN 60751, class B)	Per piece	30,28 €
Connection type	4-wire connection with ceramic base, head form B	Per piece 6,30 €
	4-wire connection with circuit board, box head	Per piece 3,79 €
Protection class	IP 65 at head form B	Per piece 9,72 €
	IP 68 (Sensor sleeve watertight compound-filled) for cable sensors	Per piece 3,50 €

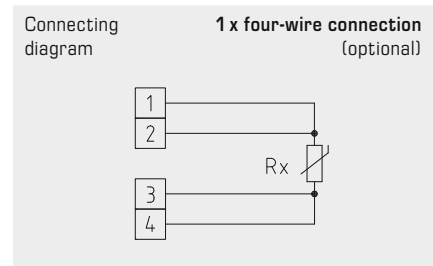
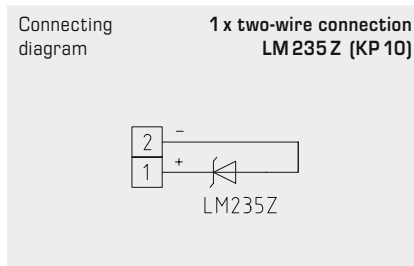
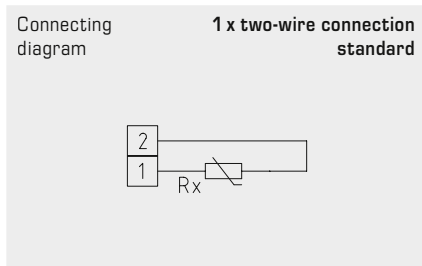


Custom-made products (for 25 or more pieces)		Unit	Price
Silicone-free sensor production		Per piece	on request!
Factory test certificate (per device)	1-point certificate	One-time cost	on request!
	2-point certificate	One-time cost	on request!
	3-point certificate	One-time cost	on request!
	Each additional test point	One-time cost	on request!
Custom-made products	Setup costs for custom-made products	One-time cost	on request!
Special paintwork	Set-up costs for special paintwork	one-off (net)	195,38 €
	plus costs for special paintwork	from 25 piece per piece	18,82 €
		from 50 piece per piece	13,68 €
Special print (with stereotype)	Set-up costs incl. stereotype production, 1 colour	one-off (net)	195,38 €
	Set-up costs incl. stereotype production, 2 colour	one-off (net)	299,18 €
	plus costs for special print	from 25 piece per piece / colour	11,86 €
		from 50 piece per piece / colour	8,00 €
		from 100 piece per piece / colour	6,43 €
		from 250 piece per piece / colour	4,88 €
	from 500 piece per piece / colour	2,44 €	
Printing customer logo on housing cover (for 200 covers of one housing series)	Setup costs for printing on housing cover	One-time cost	on request!
	Plus printing costs, 2-colour, printing on housing cover	Per piece	on request!
Labelling with customer logo	Setup costs for labelling	One-time cost	on request!
	Plus costs for labelling	Per piece	on request!

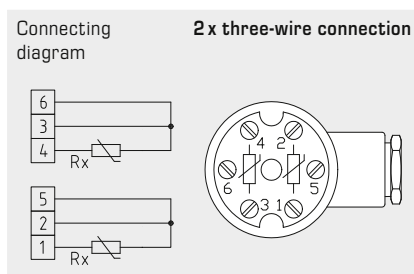
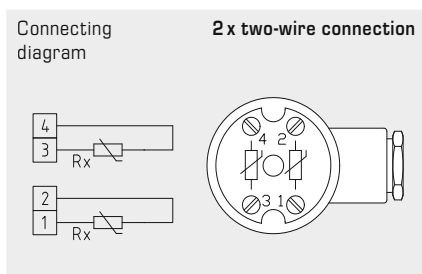
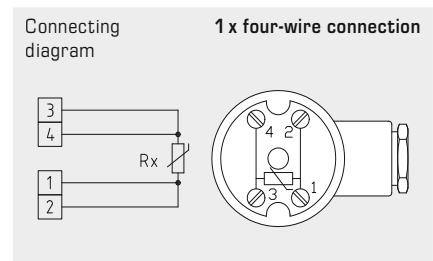
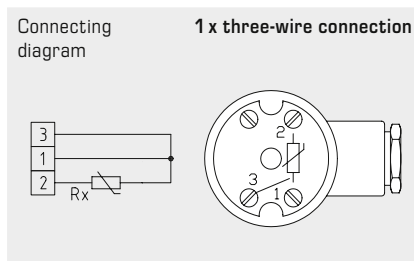
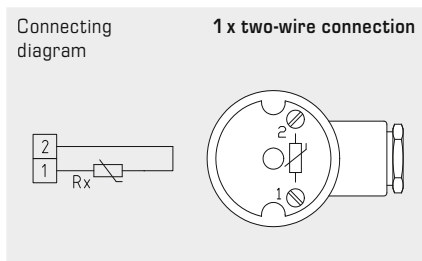
Characteristics and wiring of terminal connections of some passive temperature sensors



Wiring of terminal connections room devices and box head



Wiring of terminal connections head form B





Thermistor elements, temperature-dependent resistors - Applications

Sensor type	Manufacturer *	RTF	ATF	TF 65 + MF-15-K	TF 65 + TH 08	ALTF	HTF
10K3A1 NTC 10 kOhm	Aquatrol	●	●	●	●	●	●
	Honeywell	T 8120 B	T 7416 A T 7043 E	●	T 7106 A T 7043 F	T 7044 C	T 7076 D
	Johnson	●	●	TE - 6361 V TE - 636 GV-1	●	●	●
	Satchwell	●	DOT10K2 DOS10K2	DDT10K1	DWT10K1 DST10K1	●	●
	Seachange	SEN / PTR / ROM	SEN / PR / OAT	SEN / PR / DCT	SEN / PR / IMM	SEN / PR / CLP	SEN / FL
	Trend	TE - TS	TE - TO	TE - TD	TE - TI	TE - TC	●
10K4A1 NTC 10 kOhm Precon	Andover	TTS - S Series	●	TT - O Series	TT - I Series	TT - ST	●
	Delta Controls	●	●	●	●	●	●
	Siebe	●	●	●	●	●	●
	York (< 40°C)	●	●	●	●	●	●
20K6A1 NTC 20 kOhm	Honeywell	T 7460 H T 7470 A DRF 20 - S RF 20 T 4712	AF 20 DAF 20 T 7416 A1022	LF 20	VF 20 T VF 20 NT VF 20 L VF 20 LN WPF 20 T 7425 A	VF 20 A WPF 20 A	KFT 20 KFT 20 B DKF 20
PT 100 DIN EN 60 751 Klasse B	Sauter	EGT430 / F011	●	EGT466 / F011 EGT447 / F011	●	●	EGT456 / F011
	Serck	●	●	●	●	●	●
	Siemens / Landis & Staefa	QAA100 QAA 2010	QAC 2010	FK-TP / 200 QAM 2110	QAE 2110	QAD 2010	QAP 2010
PT 1000 DIN EN 60 751 Klasse B	Honeywell	T 7412	T 7416 A1014	T 7411	T 7413	T 7414	●
	Sauter	EGT430 / F101	EGT401 / F101	EGT446 / F101 EGT447 / F101	-	EGT411 / F101	EGT456 / F101
	Serck	●	●	●	●	●	●
	Siebe	TS - 5811	●	●	●	●	●
	Cylon	●	●	●	●	●	●
Ni 1000 DIN EN 43 760	Sauter	EGT 330 / F101	EGT 301 / F101	EGT 346 / F101 EGT 347 / F101 EGT 348 / F101	EGT 346 / F101 EGT 347 / F101 EGT 348 / F101	EGT 311 / F101	EGT 354 / F101 EGT 356 / F101
Ni 1000 / TCR Ni1000 TK500	Siemens / Landis & Staefa	QAA 24 QAA 25 QAA 26 QAA 27 QAA 64	QAC 22	QAM 2120	QAE 2120	QAD 22 QAD 26	QAP 21 QAP 22 QAZ 21
SAT 1	Satchwell	DRT DU, DUS, DUSF	DOT 0002 DOS 0002	DDT 0001	DWT 0001 DST 0001	●	DDU
FeT (T1)	Landis & Staefa	QAA 2040 FR - T1	FW - T1	QAM 2140 FK - T1	QAE 2140 FT - T1	FA - T1	QAP 2040 FTK - T1
TAC 1 NTC 1.8 kOhm	TAC Schneider	●	●	●	●	●	●
2.2 K3 A1 NTC 2.2 kOhm	Ambiflex	RTN 3060	ETN 3060	DTN 3060	ITN 3060	CTN 3060	●
	Johnson	TE - 6344 P	TE - 6343 P	TE - 6341 P TE - 6341 V TE - 634 GV - 1	TE - 6342 P	-	-
3 K3 A1 NTC 3 kOhm	Alerton	MS - 1000 Series TS - 1050	●	●	●	●	●
3 K6 A1 NTC 30 kOhm	Drayton	A 701	A 702	●	A 703	A 704	●
LM235Z (KP10)	Kieback & Peter	TR TD	TA TAD	TLS TLD	TV, TVD TDN, TVP	TAV TAVD	TEV TKV

* Manufacturer names are brands and / or trademarks of the respective companies.

Sensor type (+)

Thermistor elements with positive temperature coefficient -
Temperature ranges (temperature/resistance)

FeT (T1)		KTY81-210		LM235Z (KP10)		Ni 1000 according to DIN EN 43760 TCR= 6180ppm/K		Ni 1000-TK 5000 (LG-Ni 1000) TCR= 5000ppm/K		PT 100 according to DIN EN 60751 TCR= 3850ppm/K		PT 1000 according to DIN EN 60751 TCR= 3850ppm/K	
°C	Ω	°C	Ω	°C	mV	°C	Ω	°C	Ω	°C	Ω	°C	Ω
- 50	-	- 50	1030	- 50	-	- 50	743	- 50	790.8	- 50	80.3	- 50	803
- 40	-	- 40	1135	- 40	2330	- 40	791	- 40	826.8	- 40	84.3	- 40	843
- 30	1935	- 30	1247	- 30	2430	- 30	842	- 30	871.7	- 30	88.2	- 30	882
- 20	2030	- 20	1367	- 20	2530	- 20	893	- 20	913.4	- 20	92.2	- 20	922
- 15	2078	- 15		- 15	2580	- 15	920	- 15	934.7	- 15	94.1	- 15	941
- 10	2027	- 10	1495	- 10	2630	- 10	946	- 10	956.2	- 10	96.1	- 10	961
- 5	2176	- 5		- 5	2680	- 5	973	- 5	978.0	- 5	98.0	- 5	980
0	2226	0	1630	0	2730	0	1000	0	1000.0	0	100.0	0	1000
1	2236	1		1	2740	1	1028	1	1004.4	1	102.0	1	1020
2	2246	2		2	2750	2	1056	2	1008.9	2	103.9	2	1039
3	2256	3		3	2760	3	1084	3	1013.3	3	105.8	3	1058
4	2266	4		4	2770	4	1112	4	1017.8	4	107.8	4	1078
5	2276	5		5	2780	5	1142	5	1022.3	5	109.8	5	1098
6	2286	6		6	2790	6	1171	6	1026.7	6	111.7	6	1117
7	2298	7		7	2800	7	1200	7	1031.2	7	113.6	7	1136
8	2306	8		8	2810	8	1230	8	1035.8	8	115.5	8	1155
9	2316	9		9	2820	9	1261	9	1040.3	9	117.5	9	1175
10	2326	10	1772	10	2830	10	1291	10	1044.8	10	119.4	10	1194
11	2337	11		11	2840	11	1322	11	1049.3	11	121.3	11	1213
12	2347	12		12	2850	12	1353	12	1053.9	12	123.2	12	1232
13	2357	13		13	2860	13	1385	13	1058.4	13	125.2	13	1252
14	2367	14		14	2870	14	1417	14	1063.0	14	127.1	14	1271
15	2377	15		15	2880	15	1450	15	1067.6	15	129.0	15	1290
16	2388	16		16	2890	16	1483	16	1072.2	16	130.9	16	1309
17	2398	17		17	2900	17	1516	17	1076.8	17	132.8	17	1328
18	2408	18		18	2910	18	1549	18	1081.4	18	134.7	18	1347
19	2418	19		19	2920	19	1584	19	1086.0	19	136.6	19	1366
20	2429	20	1922	20	2930	20	1618	20	1090.7	20	138.5	20	1385
21	2439	21		21	2940	21	1688	21	1095.3	21	142.3	21	1423
22	2449	22		22	2950	22	1760	22	1100.0	22	146.1	22	1461
23	2460	23		23	2960	23	1833	23	1104.6	23	149.8	23	1498
24	2470	24		24	2970	24	1909	24	1109.3	24	153.6	24	1536
25	2480	25	2000	25	2980	25	1987	25	1114.0	25	157.3	25	1573
26	2491	26		26	2990	26	2066	26	1120.0	26	161.0	26	1611
27	2501	27		27	3000	27	2148	27	1123.4	27	164.8	27	1648
28	2512	28		28	3010	28	2232	28	1128.1	28	168.5	28	1685
29	2522	29		29	3020	29		29	1132.9	29	172.2	29	1722
30	2532	30	2080	30	3030	30	3030	30	1137.6	200	175.8	200	1758
35	2585	35		35	3080	35	3080	35	1161.5	210	179.5	210	1795
40	2638	40	2245	40	3130	40	3130	40	1185.7	220	183.2	220	1832
45	2692	45		45	3180	45	3180	45	1210.2	230	186.8	230	1868
50	2745	50	2417	50	3230	50	3230	50	1235.0	240	190.5	240	1905
55	2800	55		55	3280	55	3280	55	1260.1	250	194.1	250	1941
60	2855	60	2597	60	3330	60	3330	60	1285.4	260	197.7	260	1977
65	2910	65		65	3380	65	3380	65	1311.1	270	201.3	270	2013
70	2966	70	2785	70	3430	70	3430	70	1337.1	280	204.9	280	2049
75	3022	75		75	3480	75	3480	75	1363.5	290	208.5	290	2085
80	3079	80	2980	80	3530	80	3530	80	1390.1	300	212.0	300	2121
85	3136	85		85	3580	85	3580	85	1417.1	310	215.6	310	2156
90	3194	90	3182	90	3630	90	3630	90	1444.4	320	219.1	320	2191
95	3252	95		95	3680	95	3680	95	1472.0	330	222.7	330	2227
100	3311	100	3392	100	3730	100	3730	100	1500.0	340	226.2	340	2262
105	3370	105		105	3780	105	3780	105	1528.3	350	229.7	350	2297
110	3430	110	3607	110	3830	110	3830	110	1557.0	360	233.2	360	2332
115	3491	115		115	3880	115	3880	115	1586.0	370	236.7	370	2367
120	3552	120	3817	120	3930	120	3930	120	1625.4	380	240.1	380	2401
125	3613	125	3915	125	3980	125	3980			390	243.6	390	2436
130	3675	130	4008	130	-	130	-			400	247.0	400	2470
140	3802	140	4166	140	-	140	-						
150	3929	150	4280	150	-	150	-						



Sensor type (+)
Thermistor elements with positive temperature coefficient -
Temperature ranges (temperature/resistance)

Accuracy of passive elements			
Sensor elements	Tolerance	Standard	Rated zero-power resistance
Pt 1000	± 0.3 K / 0 °C	DIN EN 60 751, class B	TK = 3850 ppm / K
Pt 1000 1/3 DIN	± 0.1 K / 0 °C	DIN EN 60 751, class A	TK = 3850 ppm / K
Pt 1000 A	± 0.15 K / 0 °C	DIN EN 60 751, class A, TGA	TK = 3850 ppm / K
Pt 1000 1/10 DIN	± 0.03 K / 0 °C	DIN EN 60 751, class A	TK = 3850 ppm / K
Pt 100	± 0.3 K / 0 °C	DIN EN 60 751, class B	TK = 3850 ppm / K
Pt 100 1/3 DIN	± 0.1 K / 0 °C	DIN EN 60 751, class A	TK = 3850 ppm / K
Ni 1000	± 0.4 K / 0 °C	DIN EN 43 760, class B	TCR = 6180 ppm / K
Ni 1000 1/2 DIN	± 0.2 K / 0 °C	DIN EN 43 760, class B	TCR = 6180 ppm / K
Ni 1000 TK5000	± 0.4 K / 0 °C		TCR = 5000 ppm / K
LM235Z, KP10	± 0.2 K / 25 °C	10 mV / K	
NTC 1.8K	± 0.3 K / 25 °C	B25 / 85 = 3499 K	R25 = 1.8 K ± 0.3 %
NTC 2.2K	± 0.3 K / 25 °C	B25 / 85 = 3610 K	R25 = 2.2 K ± 1 %
NTC 10K	± 0.3 K / 25 °C	B25 / 85 = 3977 K	R25 = 10 KΩhm ± 1 %
NTC 10K Precon	± 0.3 K / 25 °C	B25 / 85 = 3695 K	R25 = 10 KΩhm ± 1 %
NTC 10K Carell	± 0.3 K / 25 °C	B25 / 85 = 3435 K	R25 = 10 KΩhm ± 1 %
NTC 20K	± 0.2 K / 25 °C	B25 / 85 = 4262 K	R25 = 20 KΩhm ± 0.5 %

ATTENTION, NOTE !

Due to self-heating, the testing current has an influence on the measuring accuracy of the thermometer and should therefore never exceed the following:

Guide values for the testing current:

Maximum sensor current	I_{max}
Pt1000 (thin layer)	< 0.6 mA
Pt100 (thin layer)	< 1.0 mA
Ni1000 (DIN), Ni1000 TK5000	< 0.3 mA
NTC xx	< 2.0 mW
LM235Z	400 µA ... 5 mA
KTY 81 - 210	< 2.0 mA

To avoid damage/errors, it is recommended to use shielded cables. It is imperative to avoid parallel laying of current-carrying lines. The EMC directives must be observed!

These devices must be installed by an authorised qualified expert!



Sensor type (-)
Thermistor elements with negative temperature coefficient -
Temperature ranges (temperature/resistance)

NTC 1,8 kΩ		NTC 2,2 kΩ		NTC 3 kΩ		NTC 5 kΩ		NTC 10 kΩ		NTC 10 kΩ Precon		NTC 10K e.g. Carell	
R ₂₅ = 1.8 kΩ ±0,2K B _{25/85} = 3499 K ±1%		R ₂₅ = 2.2 kΩ ±1% B _{25/85} = 3610 K ±1%		R ₂₅ = 3 kΩ ±1% B _{25/85} = 3977 K ±1%		R ₂₅ = 5 kΩ ±1% B _{25/85} = 3977 K ±1%		R ₂₅ = 10 kΩ ±1% B _{25/85} = 3977 K ±1%		R ₂₅ = 10 kΩ ±1% B _{25/85} = 3695 K ±1%		R ₂₅ = 10 kΩ ±1% B _{25/85} = 3435 K ±1%	
°C	Ω	°C	Ω	°C	Ω	°C	Ω	°C	Ω	°C	Ω	°C	Ω
-50	-	-50	-	-50	-	-50	-	-50	-	-50	-	-50	-
-40	39073	-40	-	-40	-	-40	-	-40	-	-40	-	-40	-
-30	22301	-30	27886	-30	53093	-30	88488	-30	175785	-30	135200	-30	111300
-20	13196	-20	16502	-20	29125	-20	48541	-20	96597	-20	78910	-20	67770
-15	10278	-15	12844	-15	21887	-15	36479	-15	72650	-15	61020	-15	53410
-10	8069	-10	10070	-10	16599	-10	27664	-10	55142	-10	47540	-10	42470
-5	6383	-5	8134	-5	12698	-5	21163	-5	42215	-5	37310	-5	33900
0	5085	0	6452	0	9795	0	16325	0	32590	0	29490	0	27280
1	4863	1	6164	1	9309	1	15515	1	30974	1	28156	1	26130
2	4652	2	5891	2	8849	2	14749	2	29448	2	26890	2	25030
3	4452	3	5631	3	8415	3	14025	3	28007	3	25687	3	23990
4	4261	4	5384	4	8005	4	13341	4	26645	4	24545	4	23000
5	4079	5	5150	5	7617	5	12695	5	25357	5	23460	5	22050
6	3906	6	4927	6	7251	6	12085	6	24138	6	22430	6	21150
7	3742	7	4715	7	6905	7	11508	7	22984	7	21451	7	20300
8	3585	8	4513	8	6575	8	10959	8	21892	8	20519	8	19480
9	3436	9	4321	9	6265	9	10442	9	20858	9	19633	9	18700
10	3294	10	4138	10	5971	10	9951	10	19880	10	18790	10	17960
11	3159	11	3964	11	5691	11	9485	11	18953	11	17987	11	17240
12	3030	12	3797	12	5427	12	9045	12	18074	12	17222	12	16560
13	2906	13	3639	13	5177	13	8628	13	17242	13	16494	13	15900
14	2789	14	3488	14	4938	14	8230	14	16452	14	15801	14	15280
15	2677	15	3345	15	4713	15	7855	15	15704	15	15140	15	14690
16	2570	16	3207	16	4500	16	7500	16	14992	16	14510	16	14120
17	2468	17	3076	17	4298	17	7163	17	14317	17	13910	17	13580
18	2371	18	2952	18	4104	18	6841	18	13676	18	13337	18	13060
19	2278	19	2832	19	3922	19	6536	19	13068	19	12791	19	12560
20	2189	20	2719	20	3747	20	6246	20	12491	20	12270	20	12090
21	2104	21	2610	21	3582	21	5970	21	11941	21	11773	21	11630
22	2023	22	2506	22	3426	22	5710	22	11418	22	11298	22	11200
23	1945	23	2407	23	3277	23	5462	23	10921	23	10845	23	10780
24	1871	24	2289	24	3135	24	5224	24	10450	24	10413	24	10380
25	1800	25	2200	25	3000	25	5000	25	10000	25	10000	25	10000
26	1732	26	2115	26	2872	26	4787	26	9572	26	9606	26	9632
27	1667	27	2034	27	2750	27	4583	27	9166	27	9229	27	9281
28	1605	28	1957	28	2634	28	4389	28	8778	28	8869	28	8944
29	1546	29	1883	29	2522	29	4203	29	8409	29	8525	29	8622
30	1489	30	1812	30	2417	30	4028	30	8058	30	8196	30	8313
35	1238	35	1500	35	1960	35	3266	35	6534	35	6754	35	6940
40	1034	40	1248	40	1597	40	2662	40	5329	40	5594	40	5827
45	869	45	1043	45	1310	45	2184	45	4371	45	4655	45	4911
50	733	50	876	50	1081	50	1801	50	3605	50	3893	50	4160
55	622	55	738	55	896	55	1493	55	2988	55	3270	55	3536
60	529	60	626	60	746	60	1244	60	2489	60	2760	60	3020
65	453	65	532	65	625	65	1042	65	2084	65	2338	65	2588
70	389	70	454	70	526	70	876	70	1753	70	1900	70	2228
75	335	75	390	75	444	75	740	75	1480	75	1700	75	1924
80	290	80	335	80	346	80	627	80	1256	80	1457	80	1668
85	252	85	289	85	321	85	535	85	1070	85	1254	85	1451
90	220	90	251	90	275	90	458	90	915	90	1084	90	1266
95	192	95	218	95	236	95	393	95	786	95	939	95	1108
100	169	100	190	100	204	100	339	100	678	100	817	100	973
105	148	105	167	105	176	105	294	105	586	105	713	105	857
110	131	110	146	110	138	110	255	110	509	110	624	110	758
115	116			115	120	115	223	115	445	115	548	115	671
120	103			120	105	120	195	120	389	120	482	120	597
125	92			125	92	125	171	125	341	125	426	125	531
				130	81	130	151	130	300	130	377	130	474
				140	64	140	118	140	234	140	298	140	381
				150	50	150	93	150	185	150	238	150	308



Sensor type (-)
Thermistor elements with negative temperature coefficient -
Temperature ranges (temperature/resistance)

Table with 3 columns: NTC 20 kΩ, NTC 50 kΩ, and Satchwell SAT 1. Each column contains two sub-columns for temperature (°C) and resistance (Ω). The NTC columns specify R25 and B25/85 values. The Satchwell column lists specific temperature-resistance pairs.

Sensor type (-)

Resistor element with negative temperature coefficient, also called negative temperature coefficient thermistor, or NTC thermistor.

To avoid damage/errors, it is recommended to use shielded cables. It is imperative to avoid parallel laying of current-carrying lines. The EMC directives must be observed!

These devices must be installed by an authorised qualified expert!

Range of preferential items permanently available from stock in standard design with S+S company logo

THERMASGARD® TF 43

Temperature sensors (basic device)

Type / WG03B	Output	Item No.	Price
TF 43 PT1000 xx	passive	IP54	
TF43 Pt1000 50mm		1101-7010-5011-000	29,12 €
TF43 Pt1000 100mm		1101-7010-5021-000	29,24 €
TF43 Pt1000 150mm		1101-7010-5031-000	30,18 €
TF43 Pt1000 200mm		1101-7010-5041-000	31,01 €
TF43 Pt1000 250mm		1101-7010-5051-000	32,60 €
TF43 Pt1000 300mm		1101-7010-5061-000	35,28 €
TF43 Pt1000 350mm		1101-7010-5071-000	36,36 €
TF43 Pt1000 400mm		1101-7010-5081-000	37,51 €
TF 43 Ni1000 xx	passive	IP54	
TF43 Ni1000 50mm		1101-7010-9011-000	29,84 €
TF43 Ni1000 100mm		1101-7010-9021-000	32,66 €
TF43 Ni1000 150mm		1101-7010-9031-000	32,90 €
TF43 Ni1000 200mm		1101-7010-9041-000	33,62 €
TF43 Ni1000 250mm		1101-7010-9051-000	34,57 €
TF43 Ni1000 300mm		1101-7010-9061-000	36,84 €
TF43 Ni1000 350mm		1101-7010-9071-000	37,89 €
TF43 Ni1000 400mm		1101-7010-9081-000	39,59 €
TF 43 Ni1000TK xx	passive	IP54	
TF43 NiTK 50mm		1101-7011-0011-000	29,89 €
TF43 NiTK 100mm		1101-7011-0021-000	32,72 €
TF43 NiTK 150mm		1101-7011-0031-000	33,06 €
TF43 NiTK 200mm		1101-7011-0041-000	33,76 €
TF43 NiTK 250mm		1101-7011-0051-000	34,68 €
TF43 NiTK 300mm		1101-7011-0061-000	36,99 €
TF43 NiTK 350mm		1101-7011-0071-000	38,14 €
TF43 NiTK 400mm		1101-7011-0081-000	39,74 €
TF 43 LM235Z xx	passive	IP54	
TF43 LM235Z 50mm		1101-7012-1011-000	30,43 €
TF43 LM235Z 100mm		1101-7012-1021-000	30,76 €
TF43 LM235Z 150mm		1101-7012-1031-000	31,87 €
TF43 LM235Z 200mm		1101-7012-1041-000	32,60 €
TF43 LM235Z 250mm		1101-7012-1051-000	32,97 €
TF43 LM235Z 300mm		1101-7012-1061-000	35,80 €
TF43 LM235Z 350mm		1101-7012-1071-000	36,24 €
TF43 LM235Z 400mm		1101-7012-1081-000	38,50 €
TF 43 NTC 1,8K xx	passive	IP54	
TF43 NTC1,8K 50mm		1101-7011-2011-000	29,12 €
TF43 NTC1,8K 100mm		1101-7011-2021-000	30,69 €
TF43 NTC1,8K 150mm		1101-7011-2031-000	31,48 €
TF43 NTC1,8K 200mm		1101-7011-2041-000	32,21 €
TF43 NTC1,8K 250mm		1101-7011-2051-000	33,76 €
TF43 NTC1,8K 300mm		1101-7011-2061-000	34,88 €
TF43 NTC1,8K 350mm		1101-7011-2071-000	36,06 €
TF43 NTC1,8K 400mm		1101-7011-2081-000	36,99 €
TF 43 NTC10K xx	passive	IP54	
TF43 NTC10K 50mm		1101-7011-5011-000	29,12 €
TF43 NTC10K 100mm		1101-7011-5021-000	30,69 €
TF43 NTC10K 150mm		1101-7011-5031-000	31,48 €
TF43 NTC10K 200mm		1101-7011-5041-000	32,21 €
TF43 NTC10K 250mm		1101-7011-5051-000	33,76 €
TF43 NTC10K 300mm		1101-7011-5061-000	34,88 €
TF43 NTC10K 350mm		1101-7011-5071-000	36,06 €
TF43 NTC10K 400mm		1101-7011-5081-000	36,99 €
TF 43 NTC20K xx	passive	IP54	
TF43 NTC20K 50mm		1101-7011-6011-000	29,12 €
TF43 NTC20K 100mm		1101-7011-6021-000	30,69 €
TF43 NTC20K 150mm		1101-7011-6031-000	31,48 €
TF43 NTC20K 200mm		1101-7011-6041-000	32,21 €
TF43 NTC20K 250mm		1101-7011-6051-000	33,76 €
TF43 NTC20K 300mm		1101-7011-6061-000	34,88 €
TF43 NTC20K 350mm		1101-7011-6071-000	36,06 €
TF43 NTC20K 400mm		1101-7011-6081-000	36,99 €



Basic device (without accessories)



Immersion / screw-in temperature sensor with immersion sleeve (accessories)



Duct temperature sensor with mounting flange (accessories)



BASIC

S+S REGELTECHNIK

S+S Basic Programme

Range of preferential items permanently available from stock in standard design with S+S company logo

THERMASGARD® TM 43

Temperature measuring transducer (basic device), calibratable, with multi-range switching



Type / WG01B	Output	Item No.	Price
TM 43 - U xx	active	IP 54	
TM43-U 50mm	0 -10 V	1101-7111-0019-900	74,46 €
TM43-U 100mm	0 -10 V	1101-7111-0029-900	75,68 €
TM43-U 150mm	0 -10 V	1101-7111-0039-900	76,79 €
TM43-U 200mm	0 -10 V	1101-7111-0049-900	77,16 €
TM43-U 250mm	0 -10 V	1101-7111-0059-900	78,44 €
TM43-U 300mm	0 -10 V	1101-7111-0069-900	79,72 €
TM 43 - U LCD xx	active	IP 54 (Display)	
TM43-U 50mm LCD	0 -10 V	1101-7111-2019-900	142,81 €
TM43-U 100mm LCD	0 -10 V	1101-7111-2029-900	144,02 €
TM43-U 150mm LCD	0 -10 V	1101-7111-2039-900	145,14 €
TM43-U 200mm LCD	0 -10 V	1101-7111-2049-900	145,51 €
TM43-U 250mm LCD	0 -10 V	1101-7111-2059-900	147,58 €
TM43-U 300mm LCD	0 -10 V	1101-7111-2069-900	148,06 €
TM 43 - I xx	active	IP 54	
TM43-I 50mm	4...20 mA	1101-7112-0019-900	74,46 €
TM43-I 100mm	4...20 mA	1101-7112-0029-900	75,68 €
TM43-I 150mm	4...20 mA	1101-7112-0039-900	76,79 €
TM43-I 200mm	4...20 mA	1101-7112-0049-900	77,16 €
TM43-I 250mm	4...20 mA	1101-7112-0059-900	78,44 €
TM43-I 300mm	4...20 mA	1101-7112-0069-900	79,72 €
TM 43 - I LCD xx	active	IP 54 (Display)	
TM43-I 50mm LCD	4...20 mA	1101-7112-2019-900	142,81 €
TM43-I 100mm LCD	4...20 mA	1101-7112-2029-900	144,02 €
TM43-I 150mm LCD	4...20 mA	1101-7112-2039-900	145,14 €
TM43-I 200mm LCD	4...20 mA	1101-7112-2049-900	145,51 €
TM43-I 250mm LCD	4...20 mA	1101-7112-2059-900	147,58 €
TM43-I 300mm LCD	4...20 mA	1101-7112-2069-900	148,06 €

ACCESSORIES

for basic device TF 43 / TM 43



Type / WG01B	Item No.	Price
Immersion sleeves		
TH08- ms / xx (T _{max} +150 °C)	Brass nickel-plated	
TH08-MS 50MM	7100-0011-0010-132	12,90 €
TH08-MS 100MM	7100-0011-0020-132	13,50 €
TH08-MS 150MM	7100-0011-0030-132	14,60 €
TH08-MS 200MM	7100-0011-0040-132	15,62 €
TH08-MS 250MM	7100-0011-0050-132	18,09 €
TH08-MS 300MM	7100-0011-0060-132	18,90 €
TH08-MS 350MM	7100-0011-0070-132	19,40 €
TH08-MS 400MM	7100-0011-0080-132	19,90 €
TH08- VA / xx (T _{max} +600 °C)	Stainless steel V4A (1.4571)	
TH08-VA 50MM	7100-0012-0010-132	22,24 €
TH08-VA 100MM	7100-0012-0020-132	24,50 €
TH08-VA 150MM	7100-0012-0030-132	26,50 €
TH08-VA 200MM	7100-0012-0040-132	27,80 €
TH08-VA 250MM	7100-0012-0050-132	34,60 €
TH08-VA 300MM	7100-0012-0060-132	36,20 €
TH08-VA 350MM	7100-0012-0070-132	36,90 €
TH08-VA 400MM	7100-0012-0080-132	37,90 €
Mounting flanges		
MF-15-K Ø 15.2mm (T _{max} +100 °C)	Plastic	
	7100-0032-0000-000	6,30 €

Range of preferential items permanently available from stock in standard design with S+S company logo

THERMASGARD® ATF 01

Outside temperature sensors / wet room temperature sensors

Type/WG03B	Output	Item No.	Price
ATF 01 xx	passive	IP 54	
ATF01 Pt1000		1101-1030-5001-000	18,44 €
ATF01 Ni1000		1101-1030-9001-000	19,26 €
ATF01 NiTK		1101-1031-0001-000	22,35 €
ATF01 LM235Z		1101-1032-1001-000	16,23 €
ATF01 NTC1,8K		1101-1031-2001-000	14,96 €
ATF01 NTC10K		1101-1031-5001-000	14,96 €
ATF01 NTC20K		1101-1031-6001-000	14,96 €



THERMASGARD® ATM2-SD

Outside temperature / wet room temperature measuring transducers calibratable, with multi-range switching

Type/WG01B	Output	Item No.	Price
ATM 2-SD	active	IP 54	
ATM2-SD-U	0 -10 V	1101-1191-0009-900	88,17 €
ATM2-SD-I	4...20 mA	1101-1192-0009-900	88,17 €



THERMASGARD® ALTF 02

Surface contact temperature sensors / tube contact temperature sensors, compact variant

Type/WG03B	Output	Item No.	Price
ALTF02 xx	passive	IP 54	
ALTF02 Pt1000		1101-1010-5001-000	22,30 €
ALTF02 Ni1000		1101-1010-9001-000	22,68 €
ALTF02 NiTK		1101-1011-0001-000	25,97 €
ALTF02 LM235Z		1101-1012-1001-000	22,95 €
ALTF02 NTC1,8K		1101-1011-2001-000	21,63 €
ALTF02 NTC10K		1101-1011-5001-000	21,63 €
ALTF02 NTC20K		1101-1011-6001-000	21,63 €



THERMASGARD® ALTM1-SD

Surface contact / tube contact temperature measuring transducers, compact variant, calibratable, with multi-range switching

Type/WG01B	Output	Item No.	Price
ALTM1-SD	active	IP 54	
ALTM1-SD-U	0 -10 V	1101-6141-0219-920	86,72 €
ALTM1-SD-I	4...20 mA	1101-6142-0219-920	86,72 €



Range of preferential items permanently available from stock in standard design with S+S company logo

THERMASGARD® ALTF 1

Surface contact temperature sensors / tube contact temperature sensors, with detached sensor head, (L = 50 mm, cable material: PVC, cable length: 1.5 m, without housing)



Type / WG03B	Output	Item No.	Price
ALTF 1 xx	passive	IP65	
ALTF1 Pt1000 PVC 1,5M		1101-6020-5211-110	20,86 €
ALTF1 Ni1000 PVC 1,5M		1101-6020-9211-110	21,63 €
ALTF1 NiTK PVC 1,5M		1101-6021-0211-110	22,43 €
ALTF1 LM235Z PVC 1,5M		1101-6022-1211-110	22,03 €
ALTF1 NTC1,8K PVC 1,5M		1101-6021-2211-110	21,38 €
ALTF1 NTC10K PVC 1,5M		1101-6021-5211-110	21,38 €
ALTF1 NTC20K PVC 1,5M		1101-6021-6211-110	21,38 €

THERMASGARD® ALTM2-SD

Surface contact / tube contact temperature measuring transducers, with detached sensor head, calibratable, with multi-range switching (L = 50 mm, cable material: silicone, cable length: 1.5 m, with housing)



Type / WG01B	Output	Item No.	Price
ALTM2-SD	active	IP54	
ALTM2-SD-U	0 -10 V	1101-6151-0219-920	85,85 €
ALTM2-SD-I	4...20 mA	1101-6152-0219-920	85,85 €

THERMASGARD® HTF 50

Sleeve temperature sensors / cable temperature sensors (L = 50 mm, cable material: PVC, cable length: 1.5 m, without housing)

Type / WG03B	Output	Item No.	Price
HTF 50 xx	passive	IP65	
HTF50 Pt1000 PVC 1,5M		1101-6030-5211-110	16,60 €
HTF50 Ni1000 PVC 1,5M		1101-6030-9211-110	16,13 €
HTF50 NiTK PVC 1,5M		1101-6031-0211-110	20,33 €
HTF50 LM235Z PVC 1,5M		1101-6032-1211-110	14,44 €
HTF50 NTC1,8K PVC 1,5M		1101-6031-2211-110	13,64 €
HTF50 NTC10K PVC 1,5M		1101-6031-5211-110	13,64 €
HTF50 NTC20K PVC 1,5M		1101-6031-6211-110	13,64 €

THERMASGARD® HFTM-SD

Sleeve sensors with temperature measuring transducer, calibratable, with multi-range switching (L = 50 mm, cable material: PVC, cable length: 1.5 m, with housing)

Type / WG01B	Output	Item No.	Price
HFTM-SD	active	IP54	
HFTM-SD-U	0 -10 V	1101-6161-0219-920	83,29 €
HFTM-SD-I	4...20 mA	1101-6162-0219-920	83,29 €

Range of preferential items permanently available from stock in standard design with S+S company logo

THERMASGARD® RTF1-SD

Room temperature sensors without operating elements

Type/WG03B	Output	Item No.	Price
RTF1-SD xx	passive	IP30	
RTF1-SD Pt1000		1101-40D0-5000-000	20,03 €
RTF1-SD Ni1000		1101-40D0-9000-000	19,66 €
RTF1-SD NiTK		1101-40D1-0000-000	22,77 €
RTF1-SD LM235Z		1101-40D2-1000-000	18,44 €
RTF1-SD NTC1,8K		1101-40D1-2000-000	16,79 €
RTF1-SD NTC10K		1101-40D1-5000-000	16,79 €
RTF1-SD NTC10K (B=3695K)		1101-40D1-9000-000	16,79 €
RTF1-SD NTC20K		1101-40D1-6000-000	16,79 €

THERMASGARD® RTM1-SD

Room temperature measuring transducers without operating elements

Type/WG01B	Output	Item No.	Price
RTM1-SD	active	IP30	
RTM1-SD-U	0 -10 V	1101-41D1-0000-200	75,29 €
RTM1-SD-I	4...20 mA	1101-41D2-0000-200	75,29 €

THERMASGARD® MWTF-SD

Mean value / rod / duct temperature sensor including mounting flange
(Measuring rod: reinforced thermoplastic tube, NL = 3m / 6m)

Type/WG03B	Output	Item No.	Price
MWTF-SD xx	passive	IP54	
MWTF-SD Pt1000 3m		1101-3050-5231-200	97,47 €
MWTF-SD Pt1000 6m		1101-3050-5261-200	108,44 €

THERMASGARD® MWTM-SD

Mean value / rod / duct temperature measuring transducer, including mounting flange, calibratable, with multi-range switching
(Measuring rod: reinforced thermoplastic tube, NL = 3m / 6m)

Type/WG01B	Output	Item No.	Price
MWTM-SD-U	active	IP54	
MWTM-SD-U 3m	0 -10 V	1101-3131-0239-90K	165,27 €
MWTM-SD-U 6m	0 -10 V	1101-3131-0269-90K	175,50 €
MWTM-SD-I	active	IP54	
MWTM-SD-I 3m	4...20 mA	1101-3132-0239-90K	165,27 €
MWTM-SD-I 6m	4...20 mA	1101-3132-0269-90K	175,50 €

THERMASREG® FST

Frost protection thermostats, mechanical, one-step, with switching output
(length of capillary 3m / 6m, incl. mounting clamps)

Type/WG03B	Output	Item No.	Price
FST-xxD	switching	IP65	
FST-1D 6m		1102-1021-0102-000	89,76 €
FST-5D 3m		1102-1022-0102-000	87,32 €





BASIC

S+S REGELTECHNIK

S+S Basic Programme

Range of preferential items permanently available from stock in standard design with S+S company logo



HYGRASGARD® RFTF - SD

Room humidity and temperature sensors ($\pm 2\%$), calibratable

Type / WG01B	Output	Item No.	Price
RFTF-SD	active (2x)	IP30	
RFTF-SD-U	0 -10 V	1201-41D1-1000-000	118,17 €
RFTF-SD-I	4...20 mA	1201-41D2-1000-000	118,17 €



HYGRASGARD® KFF - SD HYGRASGARD® KFTF - SD

Duct humidity and temperature sensors ($\pm 2\%$), including mounting flange, calibratable, with multi-range switching

Type / WG01B	Output	Item No.	Price
KFF-SD	active	IP54	
KFF-SD-U	0 -10 V	1201-3181-0000-029	167,18 €
KFF-SD-I	4...20 mA	1201-3182-0000-029	167,18 €
KFTF-SD	active (2x)	IP54	
KFTF-SD-U	0 -10 V	1201-3181-1000-029	171,76 €
KFTF-SD-I	4...20 mA	1201-3182-1000-029	171,76 €



HYGRASGARD® AFF - SD HYGRASGARD® AFTF - SD

On-wall humidity and temperature sensors ($\pm 2\%$), calibratable, with multi-range switching

Type / WG01B	Output	Item No.	Price
AFF-SD	active	IP54	
AFF-SD-U	0 -10 V	1201-1121-0000-100	186,19 €
AFF-SD-I	4...20 mA	1201-1122-0000-100	186,19 €
AFTF-SD	active (2x)	IP54	
AFTF-SD-U	0 -10 V	1201-1121-1000-100	190,13 €
AFTF-SD-I	4...20 mA	1201-1122-1000-100	190,13 €



HYGRASREG® KW - SD

Condensation control switches including strap

Type / WG01B	Output	Item No.	Price
KW-SD	switching	IP54	
KW-W-SD	Changeover contact	1202-1075-0001-020	108,78 €

Range of preferential items permanently available from stock in standard design with S+S company logo

PREMASGARD® 212x-SD

Pressure, differential pressure and volume flow measuring transducers, with / without display, including connection set, adjustable, calibratable, with multi-range switching

Type / WG01B	Output	Item No.	Price
max. - 1000...+ 1000 Pa	active	IP 54	
PREMASGARD 2121-SD	0-10 V / 4...20 mA	1301-11B7-0010-000	140,58 €
PREMASGARD 2121-SD LCD (Display)	0-10 V / 4...20 mA	1301-11B7-2010-000	190,62 €
max. - 5000...+ 5000 Pa	active	IP 54	
PREMASGARD 2125-SD	0-10 V / 4...20 mA	1301-11B7-0050-000	140,58 €
PREMASGARD 2125-SD LCD (Display)	0-10 V / 4...20 mA	1301-11B7-2050-000	190,62 €
max. - 100...+ 100 Pa	active	IP 54	
PREMASGARD 2120-SD	0-10 V / 4...20 mA	1301-11B7-0110-000	140,58 €
PREMASGARD 2120-SD LCD (Display)	0-10 V / 4...20 mA	1301-11B7-2110-000	190,62 €



PREMASREG® DS 2

Mechanical differential pressure switches for air, with / without connection set

Type / WG03B	Pressure range	Item No.	Price
DS2 incl. connection set		IP 54	
DS-205 F	20 ... 300 Pa	1302-4026-0000-000	36,16 €
DS-205 B	50 ... 500 Pa	1302-4022-0000-000	36,16 €
DS-205 D	100 ... 1000 Pa	1302-4027-0000-000	36,16 €
DS-205 E	500 ... 2000 Pa	1302-4028-0000-000	36,16 €
DS2 without connection set		IP 54	Multipack
DS-205 F	20 ... 300 Pa	1302-4026-1000-M40	24,52 €
DS-205 B	50 ... 500 Pa	1302-4022-1000-M40	24,52 €
DS-205 D	100 ... 1000 Pa	1302-4027-1000-M40	24,52 €
DS-205 E	500 ... 2000 Pa	1302-4028-1000-M40	24,52 €
M40 = Special price per piece in the multi-pack (40 pieces)			



AERASGARD® KCO2-SD

Duct CO2 sensors, including mounting flange

Type / WG02B	Output	Item No.	Price
KCO2-SD	active	IP 65	
KCO2-SD-U	0-10V	1501-3160-1001-200	246,49 €

AERASGARD® RCO2-SD

Room CO2 sensors, self-calibrating

Type / WG02B	Output	Item No.	Price
RCO2-SD	active	IP 30	
RCO2-SD-U	0-10V	1501-61A0-1001-200	216,00 €



**NOTE**

All devices supplied display the company logo of S + S Regeltechnik GmbH as standard!
Neutral versions without the logo printed are available on request!

ORDER PLACEMENT

Orders can be placed in writing, by phone, by fax, or by e-mail. In doing so, the requested items shall be identified by denomination and quantities ordered and also the requested delivery date shall be stated. Special orders must generally be placed in writing, precisely specifying all requested special features. Or order directly ONLINE at www.SplusS.de!

DELIVERY PERIODS

The catalogue items are available from stock in partial quantities – subject to prior sale.
Delivery dates for large and special orders are determined after receipt of order / release order and mutual agreement.
We reserve the right to make partial deliveries. Events of force majeure such as difficulties in procurement of materials, strikes, etc. entitle us to withdraw from the contract.

TRADEMARK PROTECTION RIGHTS

S + S Regeltechnik GmbH, S + S logo and S + S brand names are trademarks registered in the register at the German Patent and Trademark Office and must not be used in other publications without the trademark owner's prior written consent.
All other product and company names mentioned here are brands or trademarks of the respective proprietors.

INFRINGEMENT OF INDUSTRIAL PROPERTY RIGHTS

Registered trademarks, trade names and general descriptive names are used in this product catalogue.
Even if these are not expressly marked as such, the pertinent protection provisions and copyrights shall nevertheless apply.

ATTENTION!

We generally only supply commercial, retail and industrial customers. We do not sell to the general public!

Our General Terms and Conditions of Sale and Delivery are applicable in all cases!

This price list supersedes all previous price lists.

LEGAL NOTICE

© Copyright by S + S Regeltechnik GmbH | Version: 01/2024 GB print

Reprints, even excerpts, are only permitted with the approval of S + S Regeltechnik GmbH.
All information provided without prejudice, technical modifications and price changes reserved.

Editor: S + S Regeltechnik GmbH, Mr. Tino Schulze and Mr. Heiko Linke, managing directors

PHOTO CREDITS

TITEL / PREFACE / NEWS:

Adobe Stock-253768838 © „cherezoff“
Adobe Stock-295096923 © „evannovostro“
iStock-1176511794 © iStock.com/„AvigatorPhotographer“
Adobe Stock-533855273 © „Pcess609“
Adobe Stock-172956774 © „Soonthorn“
Adobe Stock-66652891 © „martin33“
Adobe Stock-169131325 © „Olivier Le Moal“
Adobe Stock-277043713 © „lovelyday12“

APPENDIX :

iStock-480586617 © iStock.com/„xavierarnau“

BEGINNING OF CHAPTERS :

iStock-482550126 © iStock.com/„vm“ (Modbus)
iStock-510487654 © iStock.com/„shironosov“ (Humidity)
iStock-510676770 © iStock.com/„mediaphotos“ (Light intensity)
iStock-637081054 © iStock.com/„alvarez“ (Air quality)
iStock-468377000 © iStock.com/„Tomml“ (Air flow)
shutterstock_121578847 © „SnnvSnnvSnnv“/Shutterstock.com (Temperature sensors passive)
shutterstock_412795528 © „Dmitry Kalinovsky“/Shutterstock.com (Temperature sensors active)
shutterstock_373407667 © „Jan Faulkner“/Shutterstock.com (Temperature controllers)
shutterstock_423350014 © „goodluz“/Shutterstock.com (Accessories)
Fotolia_131639768 © "Portrait of a worker, constructing and checking development of a small business hall.
Reliable civil engineer working on a construction site, foreman at work" @ „urbans78“ – Fotolia.com (Pressure)

S+S Regeltechnik GmbH

General Terms and Conditions of Sale and Delivery

valid as of May 2021



S+S REGELTECHNIK

1. Scope

- (1) Any and all quotations, services and agreements are solely made or performed on the basis of these General Terms and Conditions of Sale and Delivery of S+S Regeltechnik GmbH (S+S) in their respective valid version. These General Terms and Conditions of Sale and Delivery apply solely to companies as defined by the BGB (German Civil Code).
- (2) Customers' terms and conditions conflicting with or deviating from these General Terms and Conditions of Sale and Delivery will be acknowledged by S+S only if S+S has expressly consented to the validity of such terms in writing. The General Terms and Conditions of Sale and Delivery of S+S shall also apply if services have been provided to the customer without reservation in the knowledge of conflicting or deviating terms of that customer.
- (3) These General Terms and Conditions of Sale and Delivery of S+S shall be acknowledged by the customer's order placement or acceptance of services provided for the duration of the entire business relationship, even if these terms are not explicitly restated.

2. Quotation / contract conclusion / termination of contract

- (1) The quotations made by S+S are non-binding. A contract is concluded by the written order confirmation or the delivery of goods ordered insofar as S+S does not indicate via other circumstances that the order has been accepted. Insofar as the customer communicates change requests following receipt of the order confirmation, S+S is entitled to charge the additional costs resulting from this if it accepts such changes.
- (2) Illustrations, drawings and other specifications are only binding if agreed upon in writing. The same applies to advisory or informative discussions between S+S and the customer, in particular regarding the possible uses of goods ordered.

3. Services / dates

- (1) Delivery deadlines are only binding (fixed date transaction), if S+S has expressly confirmed this in writing.
- (2) The adherence to binding delivery deadlines presupposes the clarification of all technical and other issues as well as the timely and proper performance of any obligations by the customer.
- (3) S+S shall not be held responsible for delays in delivery for reasons beyond the control of S+S, specifically unforeseeable events that prevent or impede timely delivery. In such cases, the delivery deadline shall be extended accordingly. In the event of a delay of performance, the customer is entitled to withdraw from the non-performed part of the contract insofar as such impediment to performance continues for more than 6 weeks and a reasonable grace period for delivery has been granted. The customer's claims for damages due to the extension of the delivery deadline or if S+S is exempted from its duty to perform are excluded, insofar as the customer was notified without delay of such impediment to performance.
- (4) Insofar as S+S is responsible for the non-compliance with binding delivery dates, the liability of S+S shall be limited to 0.5% of the order value for each full week of delay, but up to a maximum of 5% of the order value of the delivery affected. The customer can only assert further claims for damages insofar as the customer has granted S+S a reasonable grace period in writing and such delay in delivery is attributable to gross negligence or intent on part of S+S.
- (5) S+S is exempt from its delivery obligation if circumstances come to light during the contractual relationship that give just cause to doubt the solvency of the customer. In this case, S+S will perform the delivery insofar as the customer makes an advance payment in respect of the purchase price, or provides appropriate sureties.
- (6) Insofar as the customer orders goods on call (in particular, pre-order), the full acceptance of the purchase or the full release order respectively shall be completed within 12 months of the date of contract conclusion or order respectively. Otherwise, the customer is obligated to accept the goods within 10 working days insofar as S+S requests this in writing.
- (7) The failure to comply with the time limit mentioned in number (6) will trigger the legal consequences of default of acceptance as defined in the BGB.
- (8) There is no general right to return goods no longer required by the purchaser or for the purpose of stock reduction.

4. Delivery

- (1) Shipment of goods is effected ex principal office of S+S at the customer's risk and expense (Incoterms 2010: EXW). S+S shall only take out transport, breakage, theft, or other insurance at the written request of the customer. The resulting costs shall be charged to the customer's account.
- (2) Insofar as delivery of the goods is to be carried out at a later date than the possible date of shipment at the customer's request, S+S is entitled to charge the costs of storage to the customer's account, starting one month after the notification of readiness for delivery at a flat rate at 0.5% of the order value for each month, subject to the provision of other evidence. One month after notification of readiness for delivery, S+S is alternatively entitled to request the customer to accept the goods and, in case of non-acceptance, to dispose of the goods in another manner. The customer is then to be supplied within a reasonably extended deadline.

- (3) Partial performances are permissible insofar as this is not unreasonable to the customer.

5. Prices / payment terms

- (1) The prices of S+S are subject to the statutory value added tax at the respective rate in effect, ex principal office of S+S and plus transport/shipping and packaging costs to be separately charged. For orders of less than EUR 75.00 in value, we reserve the right to charge a low-quantity surcharge in the amount of EUR 15.00. For custom-made items, we charge setup expenditure at cost. Existing customers whose previous payment was received more than 12 months ago as well as new customers from Germany are supplied two times subject to prepayment and then, after a positive creditworthiness check by our Euler Hermes trade credit default insurance, by payment on account. Deliveries to customers outside Germany are subject to prepayment.
- (2) S+S is entitled to issue partial invoices in accordance with the progress of the order.
- (3) The invoice amount is due for payment on receipt of the invoice. Insofar as payment is not effected within 14 working days of the date of performance of goods and receipt of the invoice, the customer shall be deemed to be in default. All payments must be made in EUR. Notwithstanding evidence of further damages, the customer in the case of payment default shall pay interest on arrears at a rate of 8 percentage points above the respective base rate.
- (4) Bills of exchange and checks are only accepted as conditional payment and take fulfilling effect only after being unconditionally credited. Possible ancillary costs arising due to payment by bills of exchange or check shall be charged to the customer.

6. Warranty entitlements of the purchaser

- (1) The rights of the purchaser regarding material defects and defects of title (including incorrect and under-delivery as well as improper assembly or incorrect assembly instructions) shall be based on the statutory provisions, unless otherwise agreed below. The special statutory provisions for final delivery of the unprocessed goods to a consumer, even if this consumer has further processed these goods, shall remain unaffected in all cases (supplier regress according to §§ 478 BGB). Claims arising from the supplier regress are excluded if the defective goods were subject to further processing, e.g. by installation in another product, by the customer or another company.
- (2) Our liability for defects is based primarily on the agreement reached concerning the quality of the goods. All product descriptions and manufacturer's specifications that form part of an individual contract or that were published by us (specifically in catalogues or on our website) at the time of contract conclusion are deemed to be agreements concerning the quality of the goods.
- (3) Insofar as the quality was not agreed, the existence of a defect shall be evaluated according to the statutory provision (§ 434 par. 1 p. 2 and 3 BGB). However, we accept no liability for public statements by third parties (e.g., advertising statements) to which the customer has not drawn our attention as having influenced his/her purchasing decision.
- (4) In principle, we accept no liability for defects that the customer is aware of, or unaware of due to gross negligence, at the time of conclusion of the contract (§ 442 BGB). Furthermore, the customer's claims for defects require that the customer has fulfilled his/her statutory examination and reporting obligations (§§ 377, 381 German Commercial Code (HGB)). In the case of goods intended for installation or other further processing, an investigation must be carried out in all cases immediately prior to processing. If a defect is discovered during the delivery, the investigation or at any subsequent time, we must be notified of this in writing immediately. In all cases, obvious defects must be reported in writing within 5 working days of delivery and non-visible defects undiscovered during the investigation must be reported in writing within the same period following discovery. If the customer fails to carry out a proper investigation and/or report defects, our liability for defects that are not reported, not reported in time or not reported properly shall be excluded in accordance with the statutory provisions.
- (5) If the item delivered is defective, we can initially choose whether to provide subsequent performance by eliminating the defect (rectification) or by delivering a defect-free item (replacement delivery). This does not affect our right to refuse subsequent performance in accordance with statutory requirements.
- (6) S+S is entitled to refuse subsequent performance if this is only possible at disproportionate costs. Disproportionate costs are deemed to apply if the costs of subsequent performance, including the cost of removing the defective item and installing a defect-free item, exceed the value of the goods in their defect-free condition by 200%.
- (7) S+S is entitled to make the subsequent performance owed dependent on the purchaser paying the purchase price due. However, the purchaser is entitled to withhold a portion of the purchase price that is commensurate with the defect.





- (8) The purchaser must provide us with the necessary time and opportunity to carry out the subsequent performance owed and, in particular, must hand over the rejected goods to us. In the event of a replacement delivery, the purchaser must return the defective item to us in accordance with the statutory provisions.
- (9) In the case of subsequent performance, S+S itself shall remove the defective item and install the defect-free item. The customer is only entitled to remove the defective item and to install a defect-free item with the prior consent of S+S or following the expiry of an appropriate deadline set by the customer. Insofar as a defect actually exists, we will bear or reimburse in accordance with statutory provisions the expenditure incurred for the purpose of inspection and subsequent performance, in particular, transport, travel, labour and material costs as well as any applicable removal and installation costs. Otherwise, we are entitled to demand reimbursement from the customer for the costs incurred due to the unwarranted request for defect rectification (in particular, inspection and transport costs), unless the purchaser was unable to ascertain the freedom from defects.
- (10) If the subsequent performance has failed or if an appropriate deadline to be set by the customer for the subsequent performance has expired without success or is dispensable in accordance with the statutory provisions, the purchaser is entitled to withdraw from the contract or reduce the purchase price. However, the right of withdrawal does not apply for insignificant defects.
- (11) Claims by the purchaser for damages or compensation for wasted expenditure apply even for defects only in accordance with § 8 and are excluded in all other cases.

7. Warranty

- (1) S+S grants a warranty for products that the customer has purchased on or after 1 January 2021 subject to the following provisions. This warranty is provided to customers in addition to and independently of their statutory entitlements in the event of defects.
- (2) S+S will rectify any faults in the design, material or workmanship by repair or replacement delivery within 5 years of delivery. The usual signs of wear, especially due to corrosion, ageing as well as ambient and environmental influences, are excluded from the warranty.
- (3) The warranty only covers the repair or replacement delivery at the discretion of S+S. The warranty does not cover the removal of the defective item and installation of the new defect-free item.
- (4) The assertion of warranty claims requires that the product be purchased on or after 1 January 2021 and was installed and maintained by a qualified technician in compliance with the mounting and operation handouts of S+S.
- (5) The warranty shall expire if the fault is caused by improper installation, operating, usage or handling, or if the product was subject to structural modifications after it was purchased or was repaired or modified using third-party components.
- (6) When a warranty claim is submitted, the product must be sent, securely packaged, accompanied by a complaint number that must be requested from S+S by telephone or by e-mail to "S+S Regeltechnik GmbH, Reklamationsabteilung, Thurn-und-Taxis-Str. 22, D-90411 Nürnberg, Germany". The customer bears all shipping costs. The copy of the invoice with purchase date and the completed "Form for Returns", which can be downloaded at <https://spluss.de/en/downloads/>, must be enclosed with the shipment.

8. Liability

- (1) Unless otherwise specified in these General Terms and Conditions of Sale and Delivery including the following provisions, S+S shall be liable for breaches of contractual and non-contractual obligations in accordance with the statutory provisions.
- (2) S+S is liable for damages – irrespective of the legal grounds – in the case of fault-based liability arising from intent and gross negligence. In the case of simple negligence, S+S shall be liable based on a more lenient liability standard in accordance with statutory provisions (e.g., for care and attention regarding internal matters) only
- for damage arising from the injuries to life and limb or to health;
 - for damage arising from the violation of a material contractual obligation, the fulfilment of which enables the proper execution of the contract in the first place and on whose fulfilment the customer can normally rely on and is entitled to rely on; in this case, however, liability is limited to compensation of the typically foreseeable level of damage.
- (3) The liability limitations arising from number 8 (2) also apply for breaches of duty by or in favour of persons for whose fault S+S is responsible in accordance with statutory provisions. They shall not apply insofar as S+S has maliciously concealed a defect or has assumed a warranty for the quality of the goods and for claims by the customer in accordance with the German Product Liability Act.
- (4) S+S can only be held liable for deliberate breach of duty and not for any consequential damage caused by further processing of unsuitable or defective goods.

9. Limitation period

- (1) Contrary to § 438 par. 1 no. 3 BGB, the general limitation period for claims arising from material defects and defects of title is one year after delivery.
- (2) However, if the good in question is a building or an item that has been used in accordance with its customary purpose for a building and has caused it to be defective (building material), the limitation period according to the statutory provision is 5 years of delivery (§ 438 par. 1 no. 2 BGB). Additional statutory special regulations regarding the limitation period, especially in accordance with § 438 par. 1 no. 1 BGB, also remain unaffected if S+S has maliciously concealed the defect or assumed a warranty for the quality of the goods (§ 438 par. 3, § 444 BGB) or in the case of supplier regress in the sale of consumer goods in accordance with §§ 478, 479 BGB.
- (3) The above limitation periods specified in legislation covering the sale of goods also apply for contractual and non-contractual claims for compensation by the customer that are based on a defect of the goods, unless application of the normal statutory limitation period (§§ 195, 199 BGB) would in this particular case result in a shorter limitation period. Claims for compensation by the customer in accordance with number 8 (2) clause 1 and clause 2 (a) and in accordance with the product liability law shall come under the statute of limitations exclusively in accordance with the statutory limitation periods.

10. Retention of title

- (1) The goods delivered shall remain the property of S+S until the complete settlement of any and all claims by the customer. If the customer sells reserved goods without receiving the purchase price from its buyers on a payment-on-delivery basis or in advance, the customer shall agree the reservation of title with its buyers in accordance with these provisions.
- (2) The customer is not entitled to pledge the reserved goods or to transfer them as collateral. In the event of seizures or other interventions by third parties, the customer shall notify S+S in writing without delay.
- (3) The customer is entitled to resell reserved goods during the course of its regular business operations. The customer now already assigns to S+S all receivables in the amount of the total invoice amount (including VAT) of the claim that are accruing to the customer from its buyers from the resale, irrespective of whether such goods are sold either without or after processing. The customer is also still entitled to collect the receivable after assignment, although this does not affect the entitlement of S+S to collect the outstanding amount itself. However, S+S undertakes to the customer not to collect the outstanding amount as long as the customer does not fall behind with payments, or an application to initiate a judicial settlement or insolvency proceedings has not been filed. If this is the case, the customer is obligated at the request of S+S to disclose the assigned receivables and their debtors, to provide the necessary records, and to notify the debtors of the assignment.

11. Operating and mounting instructions

The customer undertakes to adhere to any operating and mounting instructions delivered with goods, and to make any third-party buyers aware of same. The complete or partial non-observance of such instructions may result in a complete loss of buyers' rights. This does not apply to possible claims for damages according to § 7.

12. Copyright

The customer is not entitled to reproduce or copy any of the content of S+S catalogues, specifically technical drawings and photographs, for his/her own advertising or other purposes without the express written approval of S+S. The customer is not permitted to make quotations or other commercial documents available to third parties.

13. Miscellaneous

- (1) For any disputes arising from or in connection with the contractual relationship, Nuremberg/Germany is agreed as the place of jurisdiction. The place of performance is Nuremberg.
- (2) The customer can only offset against claims that are undisputed or have been legally established as final and absolute. The customer is entitled to a right of retention only if its counter-claims originate from the very same contractual relationship, or if such claims are undisputed or have been legally established as final and absolute.
- (3) Modifications of the contract must be made in writing. This also applies to the alteration of this written-form requirement clause.
- (4) Should one or several provisions of these General Terms and Conditions of Sale and Delivery be ineffective or not have been properly incorporated into the contract, the remaining provisions of these General Terms and Conditions of Sale and Delivery shall remain effective.
- (5) Solely the laws of the Federal Republic of Germany shall apply to the exclusion of the law regarding the United Nations Convention on Contracts for the International Sale of Goods (CISG) – also if the customer has its registered office outside Germany.

These General Terms and Conditions of Sale and Delivery are protected by copyright. Copyright infringements will be legally prosecuted.

S+S Certificate

When it comes to safety, quality and sustainability, we leave nothing to chance. We ensure this with a consistent quality and environmental management and uncompromising checks in our in-house testing centre.

In addition, we undergo regular certification by independent inspection authorities and institutions. We are very proud that our quality ‚Made in Germany‘ also passes the strictest international inspections and tests again and again with flying colours.

Tested safety and certified quality



RoHS conforming materials



DIN tested / certified devices



ESD compliant manufacturing



EAC certified



CE conformity



GOST certificates for exports of all products by S+S to the Commonwealth of Independent States and Russia



UKCA conformity (UK Conformity Assessed)

NEW



Development, manufacturing and sales are certified by TÜV Thüringen according to DIN EN ISO 9001:2015 (quality management) and DIN EN ISO 14001:2015 (environmental management)



You can rely on S+S -
We have the paperwork to prove it!



DIN CERTCO
ZERTIFIKAT

Zertifizierter: S + S Regeltechnik GmbH
Pinner Str. 20
90411 Nürnberg

Produkt: Temperaturregel- und Regelungsanlagen für Wärmepumpenanlagen

Typ, Modell: TR-046, TR-046, TR-046, TR-046, TR-046, TR-046

Prüfungsbasis: DIN EN ISO 9001:2015-02

Konformitätszeichen:

Registrierungsnummer: TR1130

Gültig bis: 2023-02-28

Notiz: Dieses Zertifikat berechtigt zum Führen des oben beschriebenen Konformitätszeichens in Verbindung mit der genannten Registrierungsnummer.

Weitere Angaben siehe Anhang.

DIN CERTCO
CERTIFICATE

Certificate holder: S + S Regeltechnik GmbH
Pinner Str. 20
90411 Nürnberg
GERMANY

Product: Temperature control and control devices for heat generating systems

Type, Model: TR-046, TR-046, TR-046, TR-046, TR-046, TR-046

Testing basis: DIN EN ISO 9001:2015-02

Mark of conformity:

Registration No.: TR1130

Valid until: 2023-02-28

Note: This certificate entitles the holder to use the mark of conformity shown above in conjunction with the specified registration number.

See annex for further information.

DIN CERTCO
СЕРТИФИКАТ

Высшее предприятие: S + S Regeltechnik GmbH
Pinner Str. 20
90411 Nürnberg
Германия

Наименование изделия: УСТРОЙСТВА КОНТРОЛЯ И РЕГУЛИРОВАНИЯ ТЕМПЕРАТУРЫ

Тип, модель: TR-046, TR-046, TR-046, TR-046, TR-046, TR-046

Основание для испытания: DIN EN ISO 9001:2015-02

Знак соответствия:

Регистрационный номер: TR1130

Действителен до: 2023-02-28

Примечание: Настоящий сертификат дает право на использование вышеуказанного знака соответствия вместе с указанным регистрационным номером.

Дальнейшие сведения - см. приложение.

TÜV
ZERTIFIKAT
CERTIFICATE

EU-Regelungsbildung (Modul B) - Besondere - nach Richtlinie 2014/68/EU

Zertifizierter: S + S Regeltechnik GmbH
Pinner Str. 20
90411 Nürnberg

Prüfungsbasis: C-T 1282-01/19 vom 2019-02-26

Objektbeschreibung: Sicherheitsregelungsanlagen für Antriebsaggregate mit Drehstromantrieb, Typ TR-046/076 (siehe Seite 2) Prüfgegenstand siehe Seite 3

Hersteller: S + S Regeltechnik GmbH
Pinner Str. 20
90411 Nürnberg

München, 26.02.2018
TÜV SÜD Industrie Service GmbH
Zertifizierungsstelle für Druckgeräte

TÜV
CERTIFICATE
ZERTIFIKAT

EU Type examination (module B) - production type - according to Directive 2014/68/EU

Certificate No.: 2-89-TAF-MUC-18-03-2882130-002

Name and address of certificate holder: S + S Regeltechnik GmbH
Pinner Str. 20
90411 Nürnberg

Evaluation report No.: C-T 1282-01/19 dated 2019-02-26

Scope of examination: Safety temperature limiter as safety accessory type TR-046/076 (see page 2) Scope of examination and details see page 3

Manufacturing plant: S + S Regeltechnik GmbH
Pinner Str. 20
90411 Nürnberg

München, 26.02.2018
TÜV SÜD Industrie Service GmbH
Certification Body for pressure equipment

TÜV
СЕРТИФИКАТ
Certificate

Испытание ЕС типового образца (модуль В) в соответствии с Директивой 2014/68/ЕС

Сертификат №: 2-89-TAF-MUC-18-03-2882130-002

Наименование изделия: УСТРОЙСТВА КОНТРОЛЯ И РЕГУЛИРОВАНИЯ ТЕМПЕРАТУРЫ

Тип, модель: TR-046, TR-046, TR-046, TR-046, TR-046, TR-046

Основание для испытания: DIN EN ISO 9001:2015-02

Знак соответствия:

Регистрационный номер: TR1130

Действителен до: 2023-02-28

Примечание: Настоящий сертификат дает право на использование вышеуказанного знака соответствия вместе с указанным регистрационным номером.

Дальнейшие сведения - см. приложение.

СИСТЕМА СЕРТИФИКАЦИИ ГОСТ Р
ФЕДЕРАЛЬНОЕ АГЕНТСТВО ПО ТЕХНИЧЕСКОМУ РЕГУЛИРОВАНИЮ И МЕТРОЛОГИИ
СЕРТИФИКАТ СООТВЕТСТВИЯ
№ РОСС.РС.0401.009
Срок действия с 02.07.2017 до 04.07.2020

Орган по сертификации: Федеральное агентство по техническому регулированию и метрологии (Росстандарт)

Продукция: Двухмерные регуляторы температуры TR-046, TR-076, TR-046, TR-076, TR-046, TR-076

ИЗГОТОВИТЕЛЬ: S+S Regeltechnik GmbH
Место нахождения: Pinner Str. 20, 90411 Nürnberg, Германия

СЕРТИФИКАТ ВЫДАН: S+S Regeltechnik GmbH
Место нахождения: Pinner Str. 20, 90411 Nürnberg, Германия

НА ОСНОВании: Протокол испытаний № 029-01-017-17 от 04.07.2017 Национальной лаборатории «Стандарты» (Область аккредитации: «Стандарты»)

Дополнительная информация:

СИСТЕМА СЕРТИФИКАЦИИ ГОСТ Р
ФЕДЕРАЛЬНОЕ АГЕНТСТВО ПО ТЕХНИЧЕСКОМУ РЕГУЛИРОВАНИЮ И МЕТРОЛОГИИ
СЕРТИФИКАТ СООТВЕТСТВИЯ
№ РОСС.РС.0401.009
Срок действия с 02.07.2017 до 04.07.2020

Орган по сертификации: Федеральное агентство по техническому регулированию и метрологии (Росстандарт)

Продукция: Двухмерные регуляторы температуры TR-046, TR-076, TR-046, TR-076, TR-046, TR-076

ИЗГОТОВИТЕЛЬ: S+S Regeltechnik GmbH
Место нахождения: Pinner Str. 20, 90411 Nürnberg, Германия

СЕРТИФИКАТ ВЫДАН: S+S Regeltechnik GmbH
Место нахождения: Pinner Str. 20, 90411 Nürnberg, Германия

НА ОСНОВании: Протокол испытаний № 029-01-017-17 от 04.07.2017 Национальной лаборатории «Стандарты» (Область аккредитации: «Стандарты»)

Дополнительная информация:

EAC
ЗАЯВИТЕЛЬ, ОБЯЗАТЕЛЬ И ИМПОРТЕР: S+S Regeltechnik GmbH
Место нахождения: Pinner Str. 20, 90411 Nürnberg, Германия

ТАМОЖЕННЫЙ СОЮЗ
ПРИКЛЮЧЕНИЕ № 1
К ДЕКЛАРАЦИИ О СООТВЕТСТВИИ ТУ № RU.001.012.00002

Коды ТУ Еurasian	Наименование продукции, подлежащей декларированию, включая наименование, наименование производителя, наименование поставщика	Ссылка на нормативные документы, подтверждающие соответствие
001-01-012-00002	Двухмерные регуляторы температуры TR-046, TR-076, TR-046, TR-076, TR-046, TR-076	ТР-046, ТР-076, ТР-046, ТР-076, ТР-046, ТР-076

Декларация о соответствии:

Order conveniently in our online shop

You can easily place orders online and pay securely 24/7.

All items from the S+S facility engineering product range are immediately available from stock.

On weekdays we ship within 24 hours.



Order and pay conveniently 24 / 7



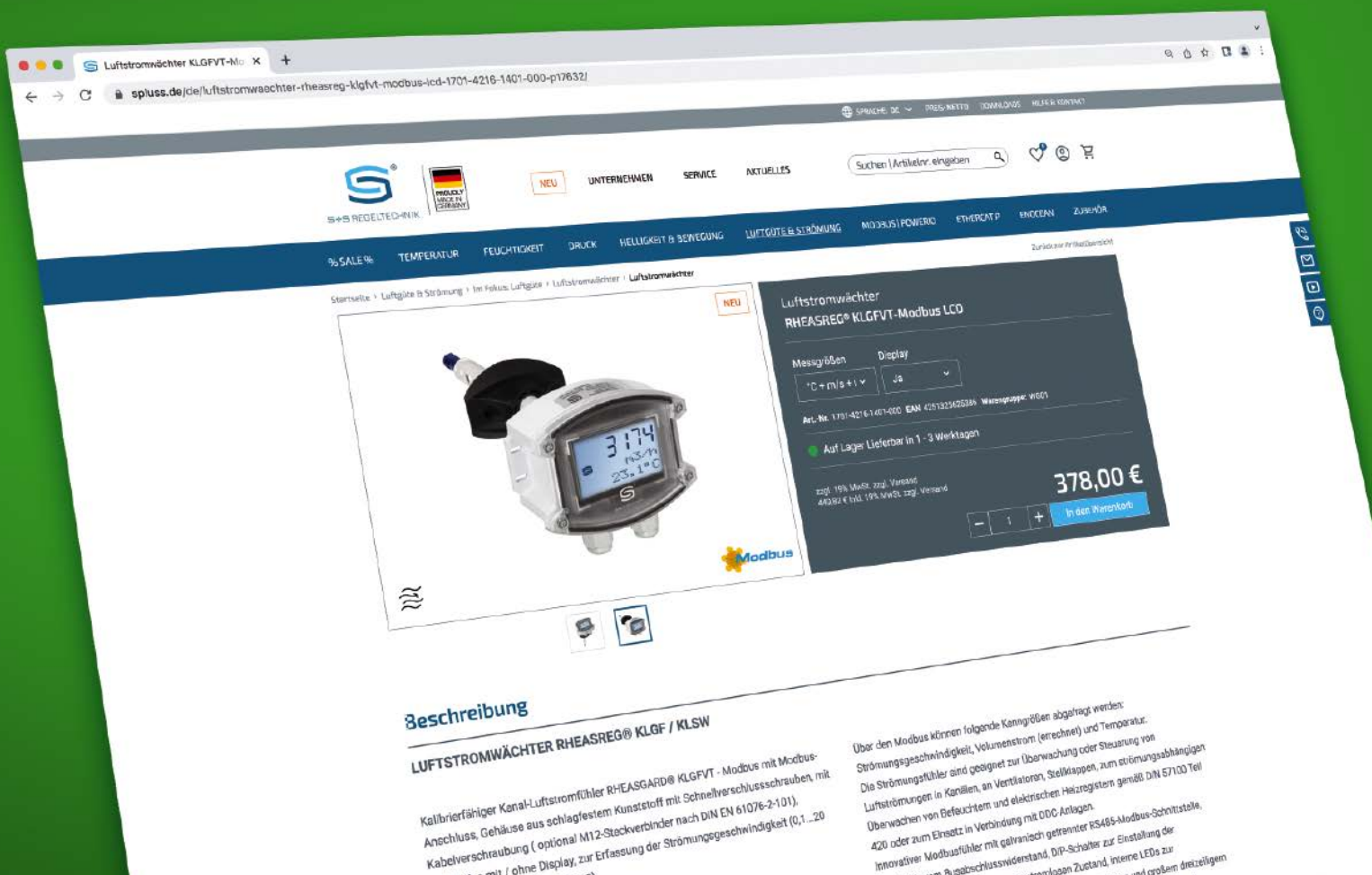
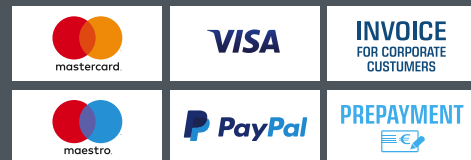
All catalogue items immediately available



24h shipping



www.Spluss.de



At Your Service

Each of our employees is a specialist in their field and contributes to your satisfaction with their expertise.

Our motivated team will be happy to answer your questions by phone, mail or even online. We look forward to meeting you!



Contact us by phone
+49 (0) 911-51947-0



Write us an email
mail@SplusS.de



Chat with us at
www.SplusS.de





S+S REGELTECHNIK

FÜHLBARE PRÄZISION



S+S REGELTECHNIK GMBH
THURN-UND-TAXIS-STR. 22
90411 NUREMBERG / GERMANY

PHONE +49 (0) 911 / 5 19 47-0

mail@SplusS.de
www.SplusS.de

